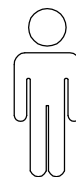
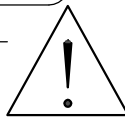
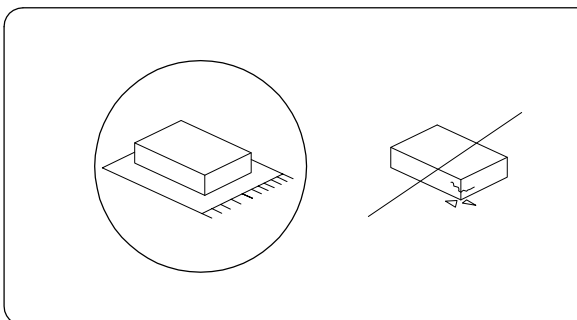
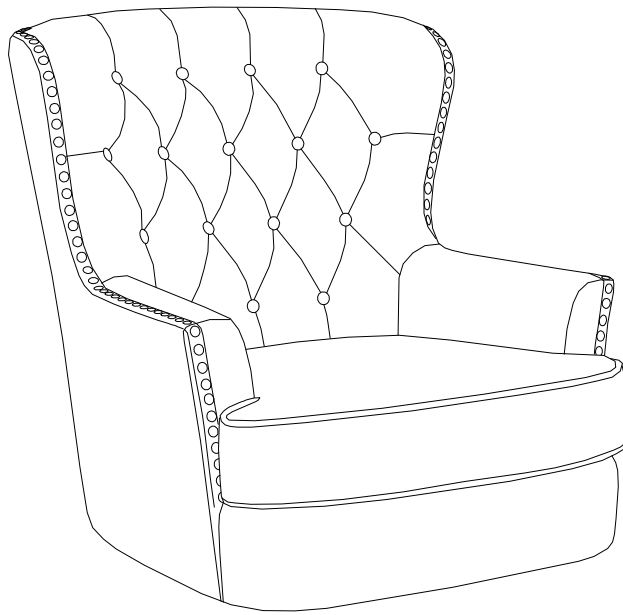
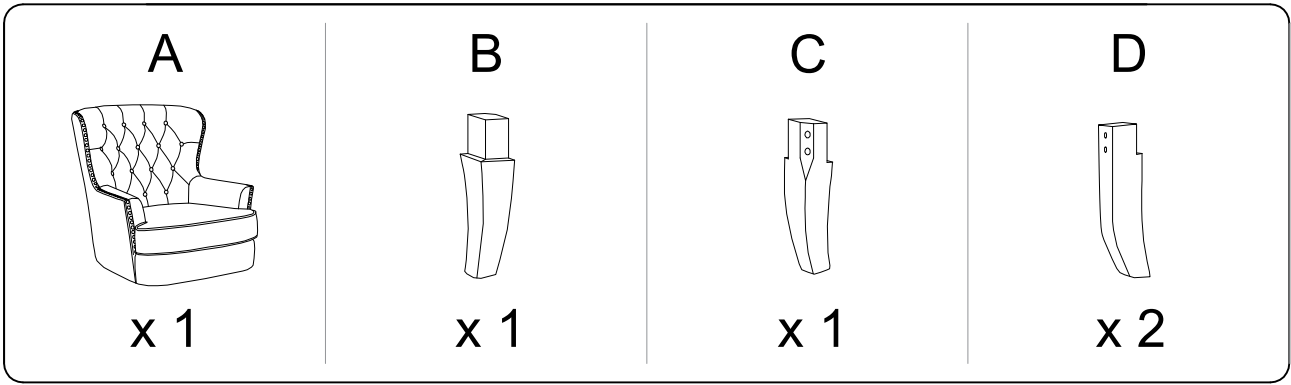


10'

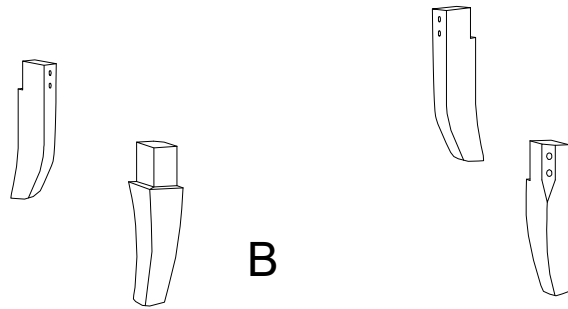


1

1/3

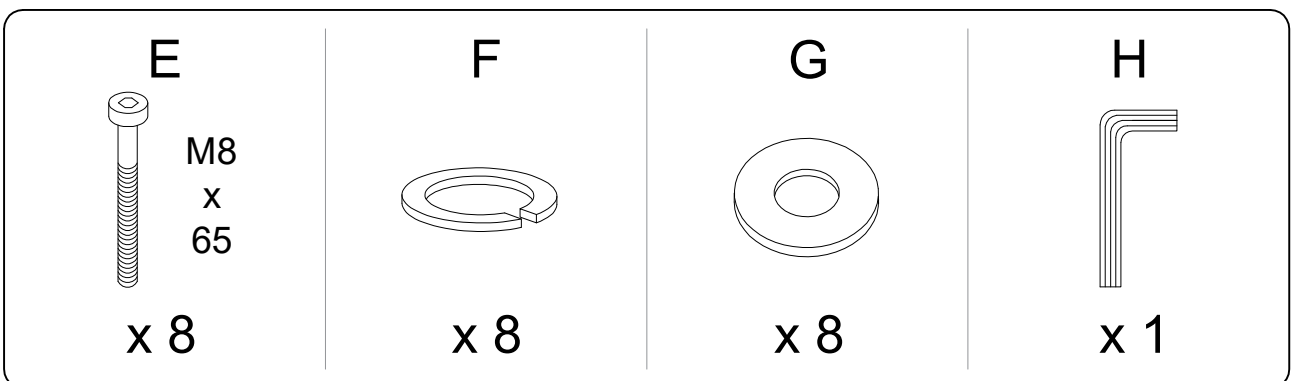


A

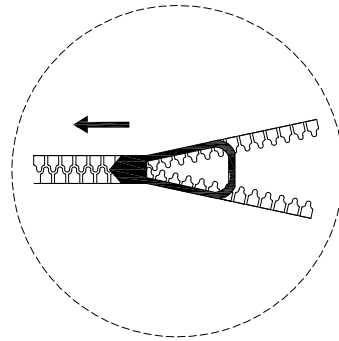
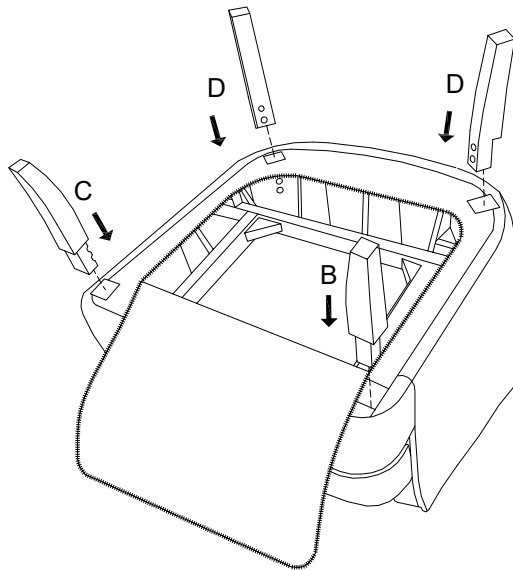
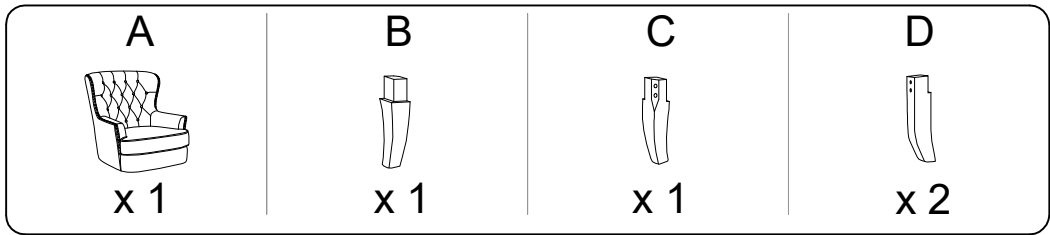


D x 2

C



1



2

