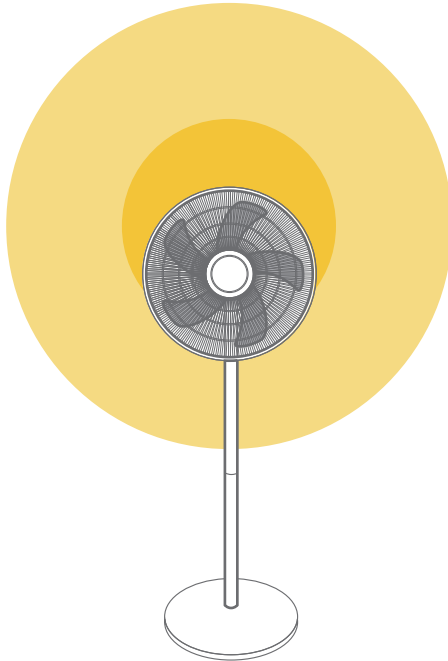


The logo for Deerma, featuring the brand name in a lowercase, sans-serif font. The letter 'e' has a yellow dot, and the letter 'i' has a yellow dot and a grey arrow pointing upwards and to the right.

## Deerma Floor Fan

Strong wind, cool for the summer

The large arc fan blade design makes the air supply delicate and comfortable.  
Simple knob design, it is convenient for adults and children to use.

Floor Fan Instruction Manual

DEM-FD15W

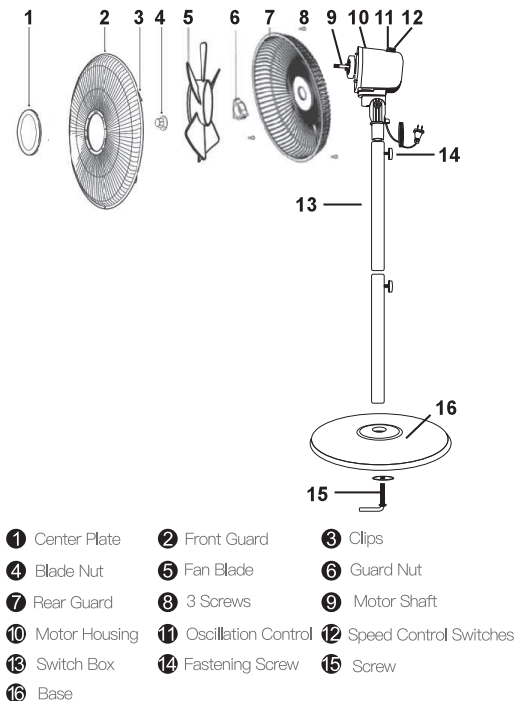
In case of any use problem,  
please follow the Official Account for consultation.  
Thank you for your choice.  
Read this instruction manual carefully before use

## PRECAUTION

- Unroll the power cord completely.
- Ensure that tension force is in accordance to that of your country
- Connect the unit in a correct socket–outlet
- Disconnect the power source cable before any cleaning or maintaining the unit.
- Do not modify the unit in any way.

This appliance can be used by children aged from 8 years and above and persons with reduced physical, sensory or mental capabilities or lack of experience and knowledge if they have been given supervision or instruction concerning use of the appliance in a safe way and understand the hazards involved. Children shall not play with the appliance. Cleaning and user maintenance shall not be made by children unless they are older than 8 and supervised. Keep the appliance and its cord out of reach of children aged less than 8 years.

## Product Structure Diagram



## Parameters

---

Product Name: Floor Fan	
Product Model: DEM-FD15W	
Rated Voltage: 220-240V~	Rated Frequency: 50Hz
Rated Power: 45W	Net Weight: 4.1kg
Product size: 430x400x1230mm	

---

## ASSEMBLY

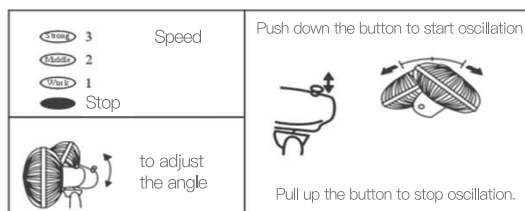
- Screw the base of the lower tube on the base of the fan with 4 screws.
- Insert the upper tube into the lower tube and tighten the height adjustment lock after setting the desired height
- Fix the motor unit of the fan and tighten it with the locking screw.
- Place the rear guard on the engine block and secure it with central fixing nut, clockwise.
- Position the fan blade on the motor shaft.

Note: Ensure that the notches connect to the end of the shaft splines.

- Attach the blades the central fixing nut counter clockwise.
- Attach the front guard to the top of the back grid and close the clips inwards.
- Fix the screw and lock nut through the hole in the bottom of the grids

Note: The appliance is not to be used by children or persons with reduced physical, sensory or mental capabilities, or lack of experience and knowledge, unless they have been given supervision or instruction. Children being supervised not to play with the appliance.

Note: If the power cord was damaged, you must have it replaced at an authorized service center or by a similarly qualified electrician in order to avoid a hazard.



## CARE AND CLEANING

- Switch off, disconnect and let the unit cool before cleaning.
- Clean the exterior of the unit with a sponge or slightly wet linen.
- Do not use abrasive cleaners, gritting, metal brush or another cutting object
- The greasy dirt of the fan fuselage and fan blade should be cleaned to prevent unit damage. •Do not clean with water directly.
- Do not wipe with acid detergent, lamp oil, alcohol, chemical cloth or any other solvent to prevent color discoloration.

### STORAGE

- Ensure that the unit is stored completely cool and dry.
- Do not wrap the cord around the unit to not cause any damage.
- Keep the appliance in a cool, dry place and out of reach from children.

## ENVIRONMENT FRIENDLY DISPOSAL

You can help protect the environment!  
Please remember to respect the local regulations: hand in the non-working electrical equipments to an appropriate waste disposal center.



This appliance is intended to be used in household and similar application areas in shops, offices and other working environments.

Farm houses by clients in hotel, motels and other residential type environments.

Bed and breakfast type environments.



## Warranty Card

Name of User

Telephone

Model

Date of Purchase

Warranty Period

12 Months

Service Life

2 Years

**Proof of warranty.**

(Please contact the seller to deal with after sales.)

deerma 

Guangdong Deerma Technology Co., Ltd.

Add: No.4-1 Longhui Road, Malong Village Committee,  
Beijiao Town, Shunde District, Foshan City, Guangdong  
Province, China  
Made in China