



# Handleiding

**KR-Y4621P**



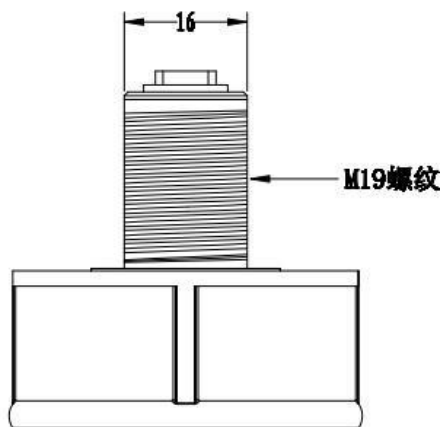
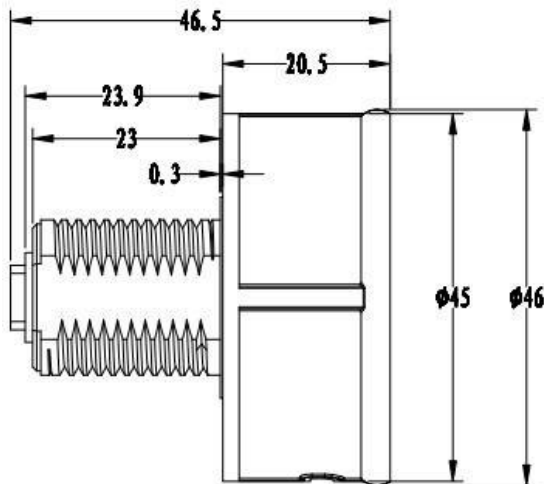
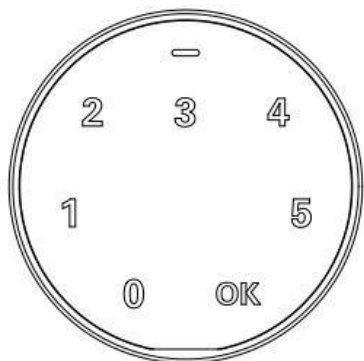
Bedankt voor het kiezen van de JPB locker slot. Indien u vragen heeft over het product of problemen ondervindt kunt u eenvoudig contact met ons opnemen via de bestelpagina van Bol.com of een e-mail sturen naar [bol@xclusive-lifestyle.nl](mailto:bol@xclusive-lifestyle.nl)



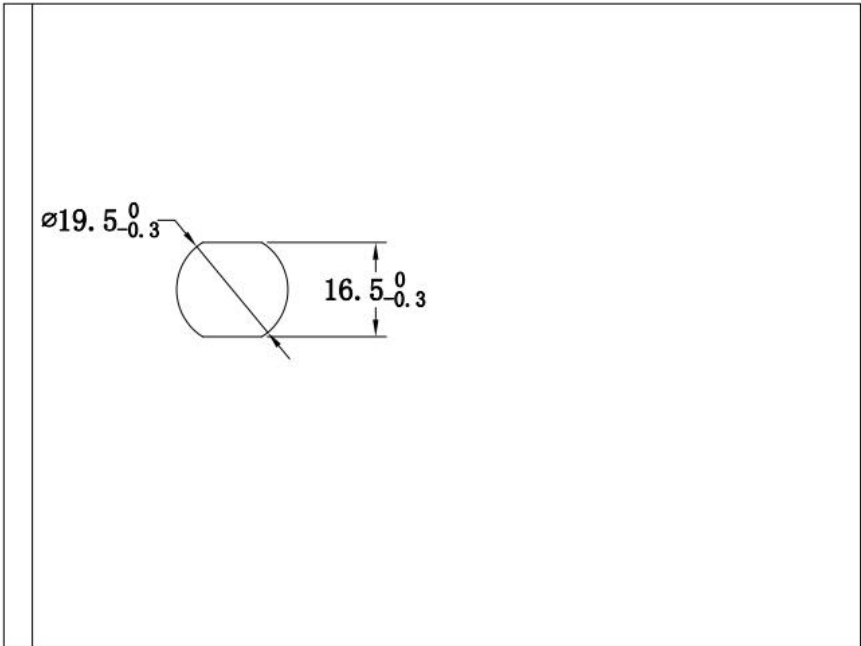
# Inhoud

Handleiding.....	1
1. Produkt afmetingen.....	3 -
1.1 Afmetingen .....	3 -
1.2 Benodigd sparring in de kastdeur.....	4 -
1.3 Installatie overzicht.....	5 -
2. Specificaties & Functies.....	6 -
2.1 Specificaties.....	6 -
2.2 Functies.....	7 -
3. Bediening.....	10 -
3.1 Private Mode/Single Key Mode.....	10 -
(Fabrieks instellingen) .....	10 -
3.1.1 Instellingen aanpassen.....	10 -
3.1.2 Zet het slot in Private Mode/Single Key Mode.....	10 -
3.1.3 Aanpassen Manager Code (standaard 0000).....	10 -
3.1.4 Aanpassen Gebruikerscode (standaard 1111).....	11 -
3.1.5 Hoe te ontgrendelen bij Private Mode/Single Key Mode.....	11 -
3.2 Dubbele Key Mode.....	12 -
3.2.1 Instellingen.....	12 -
3.2.2 Zet het slot in de dubbele Key Modes.....	12 -
3.2.3 Hoe te openen in dubbele Key Modes.....	13 -
4. Reset Slot .....	13 -
5. Tips.....	14 -

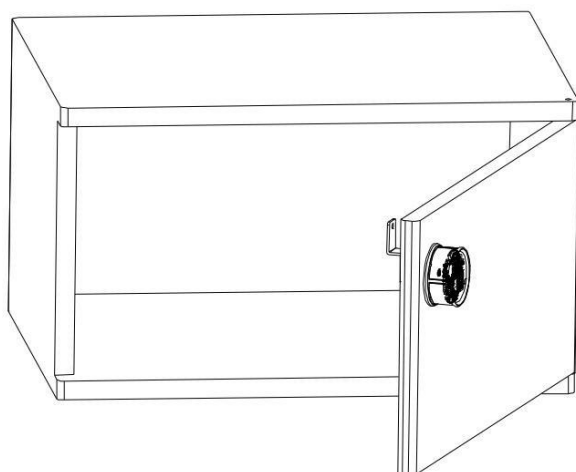
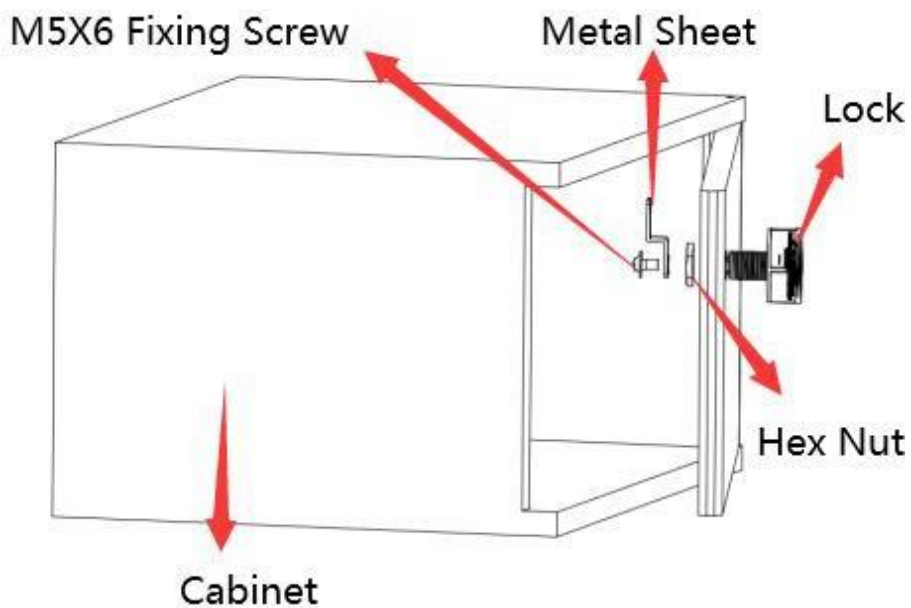
# 1. Afmetingen



## 1. 1 Benodigde sparring voor het slot



## 1. 2 Installatie van het slot



## 2. Specificaties & Functies

### 2.1 Specificaties

Materiaal	Zink Aluminum
Energieverbruik	Stand-by <5mA@4.2V
	Static verbruik <15uA@4.2V
	Laadstroom <20mA@4.2V
	Piek laadstroom < 250mA@5V (Deze zal geleidelijk afnemen)
Werkspanning	Oplaadbare lithiumbatterij Breed voltage: 3,2 V tot 4,2 V
	USB voeding: 4.3~6.3V
	Onder normale omstandigheden meer dan 12 maanden stand- by-tijd
	Laagspanning: 3,5 V tot + 0,1 V
	Ultieme lage spanning: onder 3,3V (Sluit een externe lader aan om de lithioum batterij op te laden)
Omgeving	Temperatuur -20°C~ +65°C
	Vochtigheid 10% ~ 90%RH
Lithium Batterij specs.	Model: CLY601622 Parameter performance: 3.7V 150mAh
Uitvoerparameters van de voedingsadapter	Uitgaande stroom: 2.5W 5V/0.5A
Anti statisch	lucht statisch 15KV
	Aanraak statisch 8KV

## 2.2 Functies

Sound Prompt	Lock will prompt with sound when input correct/wrong code, battery is in low voltage.
Light Prompt	<p>Green: correct operation, mode setting                  Red: wrong operation                  Blue: low voltage                  Red, green, and blue light blinking: charging                  Green on: the lithium battery is fully charged</p>
Emergency Function	<p>Opening</p> <p>1. Manager code: If forgot the user code, it can use manager code to unlock.                  2. OTP function: If forget all codes, it can send the lock ID to factory, and then the factory will apply for OTP to unlock with one-time opening code. After opening with this code, the lock will return to factory default setting.                  3. Electronic key: When the user forgets the password, the electronic key can be inserted through the USB interface of the lock body for emergency unlocking.                  (Note: A lock is paired with only one key, and keys can manage multiple locks)</p>
Activate the sound of the button	<p>Input “OK 4 OK”, the lock will be sound DIDI, green light blink quickly, Input “manager code + OK”, the lock will be sound DI, and the green light will light for 1s and then blink slowly. Then input “0 OK”, lock will be sound DI, and green light blink on one time, then the sound will be activative successfully.</p> <p>(OK 4 OK +manager code+OK+0+OK)</p>
Deactivate the Sound of the Button	<p>Input “OK 4 OK”, the lock will be sound DIDI, green light blink quickly, Input “manager code + OK”, the lock will be sound DI, and the green light will light for 1s and then blink slowly. Then input “1 OK”, lock will be sound DIDI, and green light blink on two times, then the sound will be deactivative successfully.</p> <p>(OK 4 OK +manager code+OK+1+OK)</p>
Messy Protection	<p>Code</p> <p>1. User can input any random numbers (before and after) of the full correct code to unlock, as long as the correct code is sequential.                  2. The total code should be less than 20 digits.</p>



<p>Enable the Function of Messy Code</p>	<p>Input “OK 2 OK”, the lock will be sound DIDDIDI, and green led light will flash quickly, then input “manager code+OK”, the lock will be sound DI, and green led light will light for 1s and flash slowly, then input “0 OK”, the lock will be sound DI, and the LED will light for 1s, it means enable the messy code function successfully. (OK 2 OK+manager code+OK+0+OK)</p>
<p>Disable the Function of Messy Code</p>	<p>Input “OK 2 OK”, the lock will be sound DIDDIDI, and green led light will flash quickly, then input “manager code+OK”, the lock will be sound DI, and green led light will light for 1s and flash slowly, then input “1 OK”, the lock will be sound DIDI, and the LED will light for 2 times, it means disable the messy code function successfully. (OK 2 OK+manager code+OK+1+OK)</p>
<p>Alarming Function</p>	<p><b>Low voltage alarm:</b> When the internal battery voltage is lower than 3.5+0.1V, the "blue light" flickers after the lock is opened, and the bee beeps “DiDi” continuously for 8 times. It is recommended that the user charge as soon as possible.</p> <p><b>Extremity Unlock:</b> When the internal battery voltage is lower than 3.2+0.1V, the lock will trigger the extremity unlock function and the "red light" to flash quickly, and continuously "DiDi" beeps 10 times, requiring the user to charge as soon as possible.</p>
<p>Code Functions</p>	<p>1. Manager code: (Please keep the manager code well!)</p> <ul style="list-style-type: none"> <li>A. Unlocking &amp; Locking (After unlocking/locking with manager code, the user code will be reset)</li> <li>B. Change Manager Code</li> <li>C. Change the working modes</li> <li>D. Initialization Setting</li> <li>E. Messy Code Setting</li> <li>F. It can cancel the locking of attack protection</li> </ul> <p>2. User code:</p> <ul style="list-style-type: none"> <li>A. Locking &amp; Unlocking</li> <li>B. Change User Code</li> </ul> <p><b>Note: Valid password must be 4~8 digits</b></p>





<p>Dos Protection</p>	<ol style="list-style-type: none"> <li>1. When the password is incorrectly entered, the red light flashes twice and the bee beeps twice. After three consecutive input errors, the electronic lock will be locked for 210S. Using the correct management password can unlock the lock.</li> <li>2. During the locked 210S, the buzzer "DIDIDIDIDIDIDI" alarms eight times when pressing the button, and the LED blue light flashes. After 210S, it will be unlocked automatically and the keyboard will resume operation</li> </ol>
<p>Factory Setting</p>	<ol style="list-style-type: none"> <li>1. Lock mode is Private Mode/Single Key Mode</li> <li>2. Messy Code Function is enabled</li> <li>3. The sound of button is enabled</li> <li>4. The initial manager code is 0000</li> <li>5. The initial user code is 1111</li> </ol>
<p>Electronic Key</p>	<p>Manager Key:</p> <ol style="list-style-type: none"> <li>1. Input the manager key to lock, the lock will be opened and the user key will be deleted.</li> <li>2. For the first time to input the manager key to lock, the lock will be match with this manager key and other manager keys cannot be used on this lock.</li> <li>3. Manager Key can be reset by the reset button on lock body</li> </ol> <p>User Key:</p> <ol style="list-style-type: none"> <li>1. Input the user key to lock, the lock will be opened.</li> <li>2. For the first time to input the user key to lock, the lock will be match with this user key and other user keys cannot be used on this lock.</li> <li>3. User Key can be reset by the reset button on lock body and Manager Key.</li> </ol>

# 3. Bediening

## 3.1 Private Mode/Single Key Mode

### (Fabrieks instelling)

#### 3.1.1 Mode Introduction

(Lock keeps locking under private mode, input the user code to unlock, 4 seconds later, the electromagnet degausses to break the pull and the lock closes, then turn the knob locked. No need input user code again. It will be more convenient and saving time.)

Note: manager code and user code should be set first.



1. Input the user code ,Turn the knob to unlock the locker.



3. Don't need input the code again, Direct turn the knob to lock the locker.



2. Take out/put the goods.



### 3.1.2 Set Lock into Private Mode/Single Key Mode

(OK 3 OK + manager code + OK + 0+ OK)



Notice:

After changing mode, the user code will be reset to factory setting.

### 3.1.3 Change Manager Code (Factory Setting: 0000)

(OK 1 OK + old manager code + OK + new manager code + OK + new manager code + OK)



Notice:

1. Manager code can be used for emergency unlock.
2. The user code will be back to factory setting after use the manager code to unlock.
3. Valid manager code must be 4-8 digits.

### 3.1.4 Change User Code (Factory Setting is 1111)

(OK 0 OK + old user code + OK + new user code + OK + new user code + OK)



### 3.1.5 How to Unlock under Private Mode/Single Key Mode



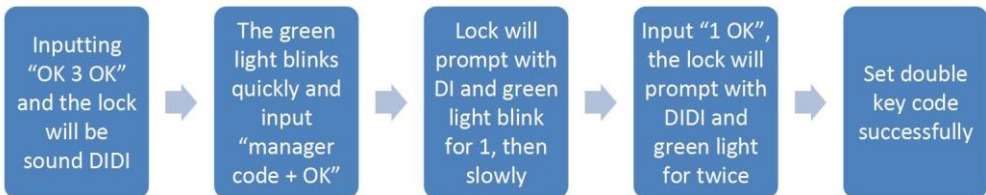
## 3.2 Double Key Mode

### 3.2.1 Mode Introduction

Enter one user password +OK correctly, and then enter another user password +OK when the green light blinks, then the lock will be unlocking.

### 3.2.2 Set Lock into Double Key Mode

(OK 3 OK + manager code + OK + 1+ OK)



Notice:

1. After changing mode, the user code will be reset to factory setting.
2. The initial user codes are 1111 and 2222.

### 3.2.3 How to Unlock under Double Key Mode

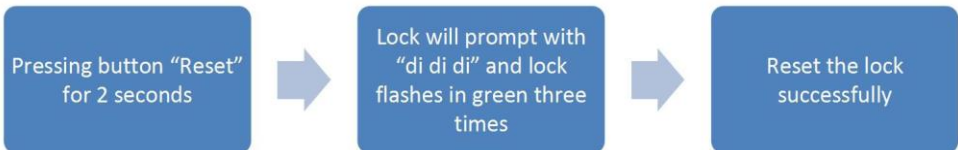


Notice:

There is no sequence to input the user codes. It will be fine that enter “one user code + OK”, and then enter “the other user code + OK”.

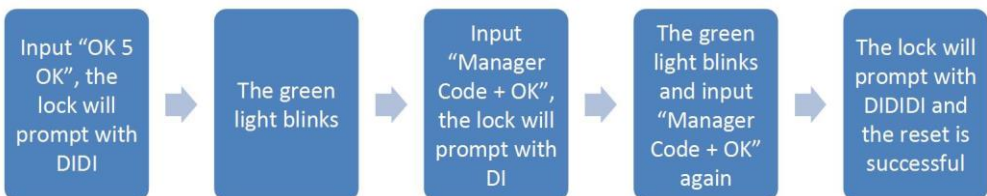
## 4. Reset Slot

### Way1: Reset Button for Initialization



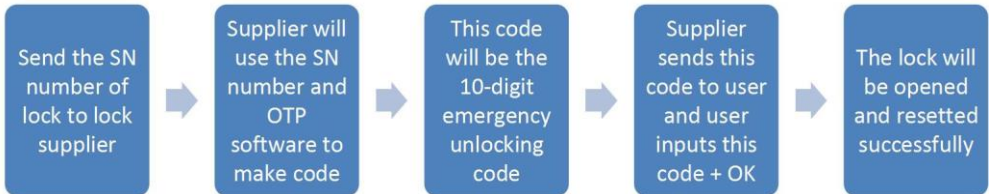
### Way 2: Manager Code for Initialization

(OK 5 OK + Manager Code + OK + Manager Code + OK)



## Way 3: OTP for Initialization

(10-digit emergency unlocking code + OK)



Notice:

After resetting, the lock will be back to factory setting.

## 5. Tips

1. “OK” is bevestiging
2. After opening the lock, the blue light blinks, it means that the lock is under lower voltage. Please powering for the lock in time.