

home

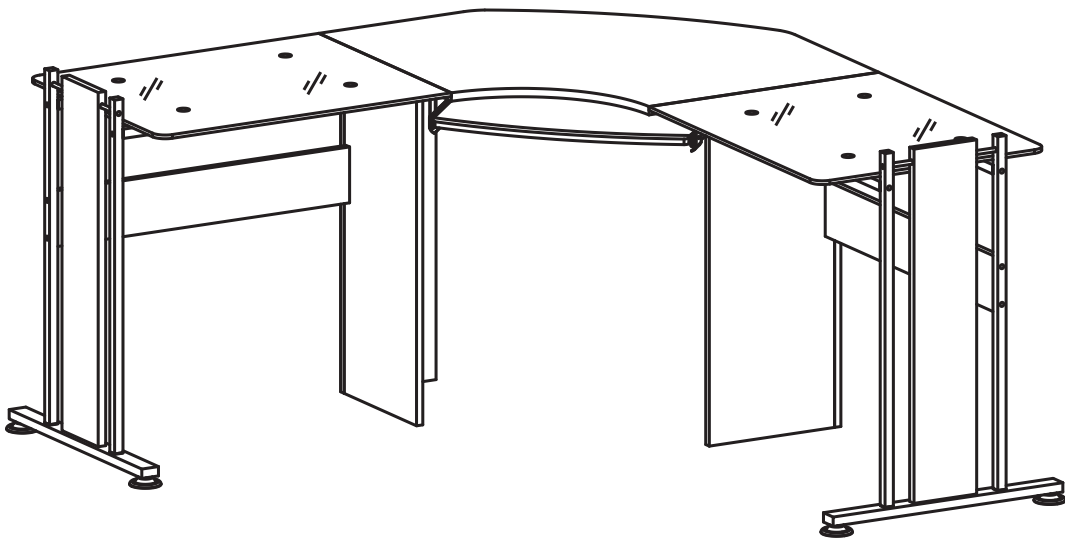
for quality home and office furniture

piranha® FRIGATE ASSEMBLY INSTRUCTIONS

Please read this guide carefully and check that you have all parts before you begin assembly. As a thank you for your purchase, we would like to offer you a 10% discount* off our range of matching furniture on www.homeinonline.com with voucher code **10%MATCH**.

Need help with your item or unhappy?

If you have **ANY** questions, please do not hesitate to email us on info@homeinonline.com and we will do our very best to help. You can also contact us via our website www.homeinonline.com



TWO PEOPLE RECOMMENDED

PC42 (FRIGATE)

General Care:

Keep furniture out of direct sunlight. Use mats and coasters to protect surfaces.
Do not place hot or wet items directly onto unprotected surfaces.

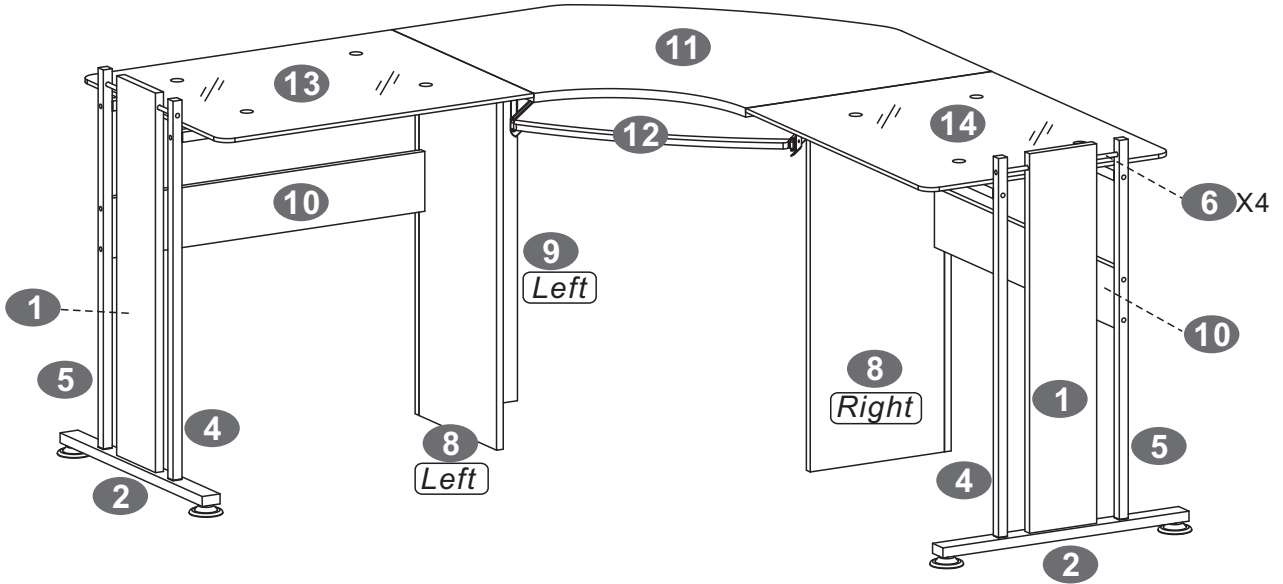
Cleaning:

Wipe surfaces with a clean damp (not wet) cloth then dry with a clean lint free cotton cloth.
Glass surfaces may be polished with window or other glass cleaning liquids.


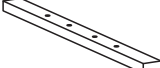




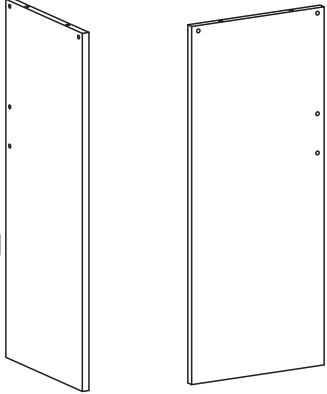

Please retain cartons until assembled as goods MUST be returned in original packaging.

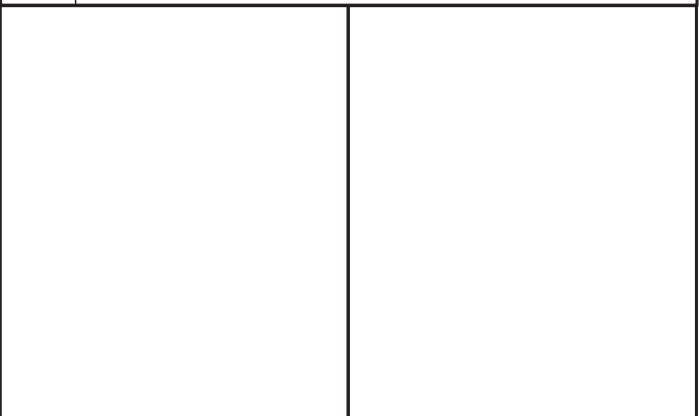
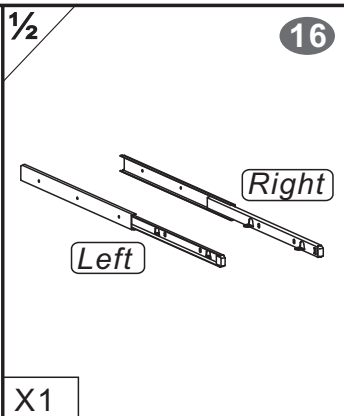
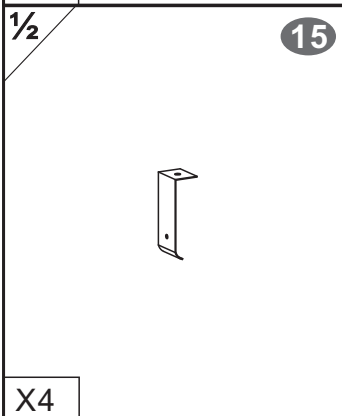
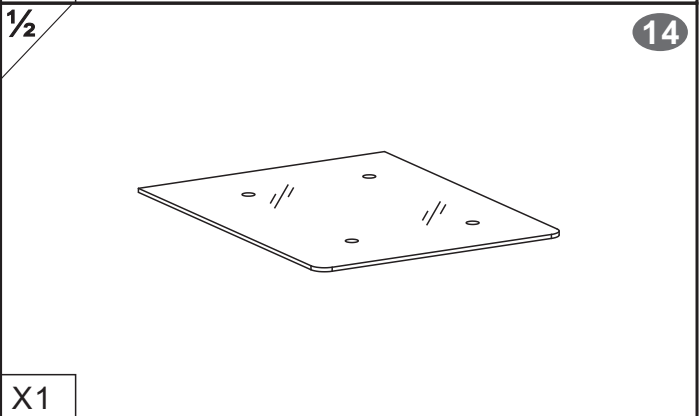
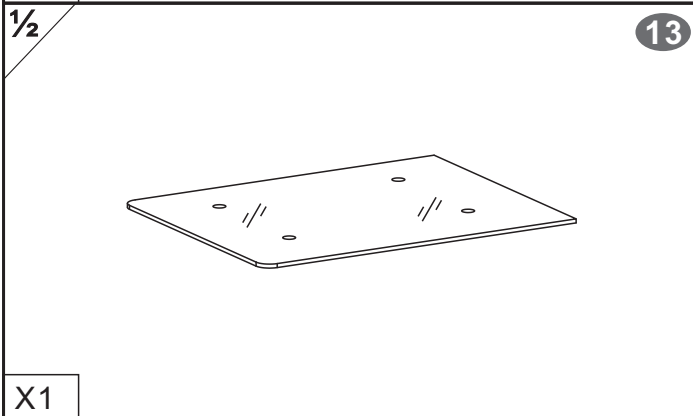
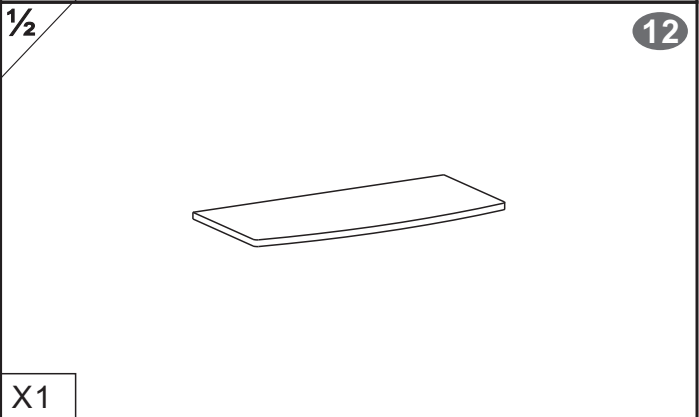
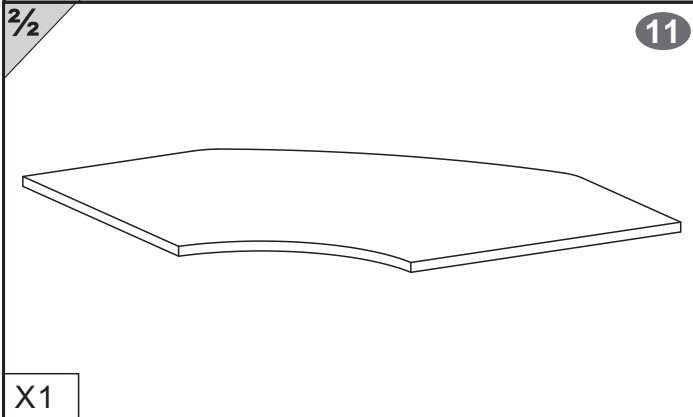
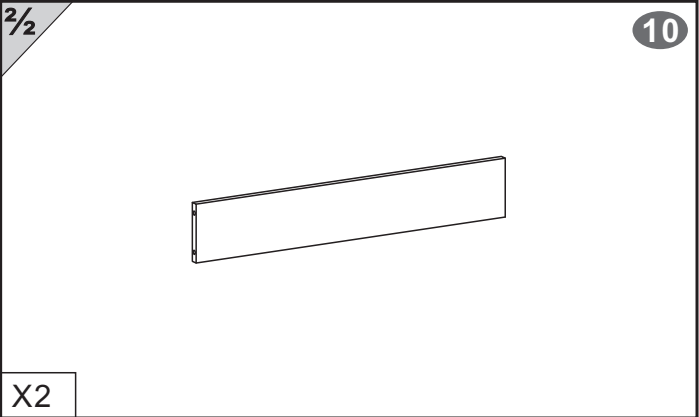
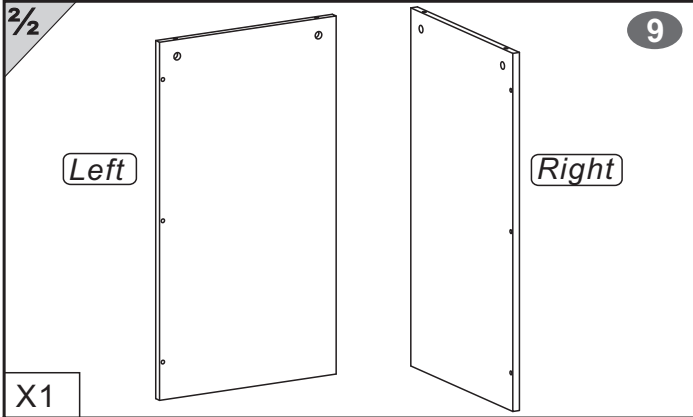


▪PARTS LIST



1/2 means this part is packed inside 1st carton
2/2 means this part is packed inside 2nd carton

1/2  X2	1/2  X2	1/2  X4	1/2  X2
1/2  X2	1/2  X4	2/2  Left Right X1	
	1/2  X4		



X4

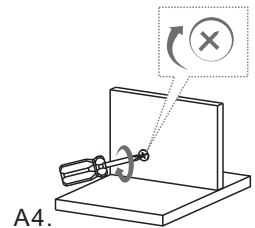
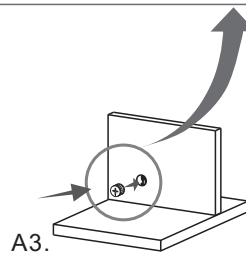
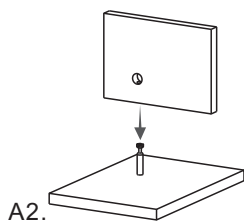
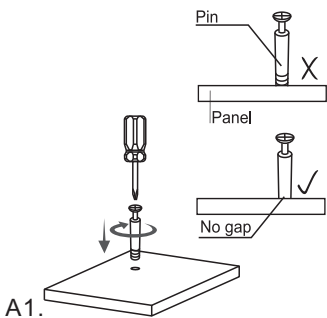
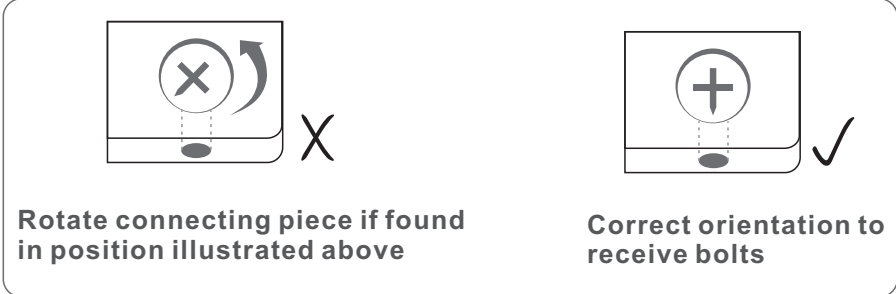
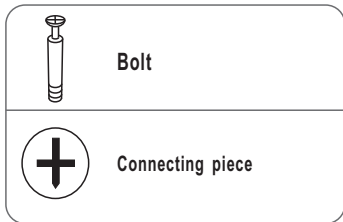
X1



▪SCREWS LIST

PART	QTY.	ITEM		PART	QTY.	ITEM	
A	18	6X50 MM		G	4	4X4 MM	
B	20	6X25 MM		H	18	Φ 10 MM	
C	4	6X12 MM		I	8	Φ 15 MM	
D	4	6X80 MM			1		
E	8	6X40 MM					
F	4	4X14 MM					

6X40MM BOLT INSTALLATION AS BELOW:







ASSEMBLY STEPS:

1


SCREWS

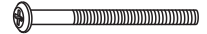
B 6X25 MM 

 x1

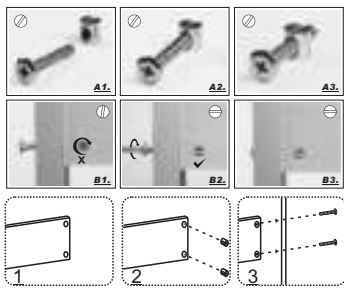
2

SCREWS


D 6X80 MM 


 x1


3



SCREWS


A 6X50 MM 


 x2

H Φ 10 MM  x2

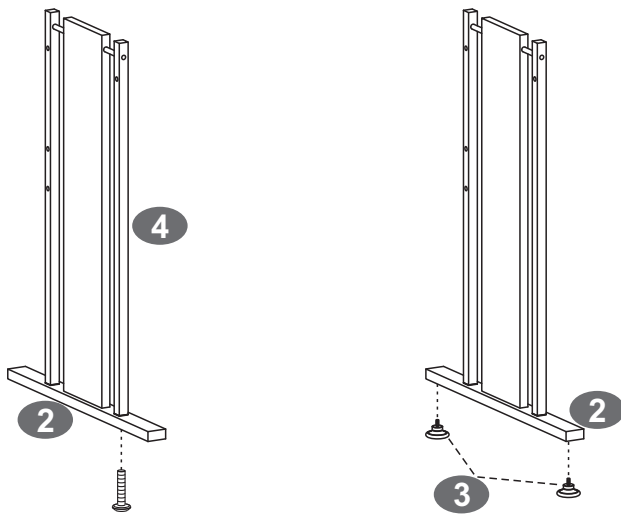
4

SCREWS

D 6X80 MM 

 x1

5



Repeat step 1 to 5
For the other one

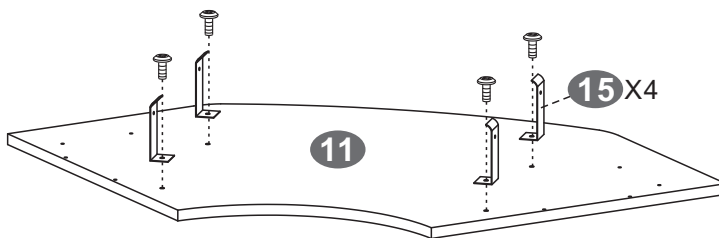
SCREWS

B 6X25 MM

x1



6



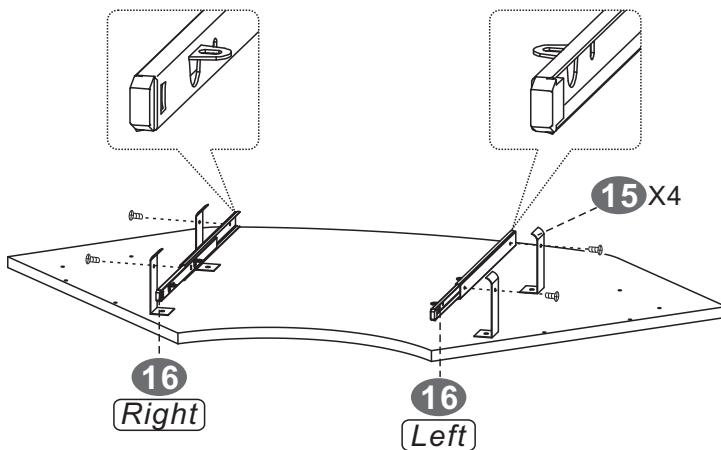
SCREWS

C 6X12 MM

x4



7



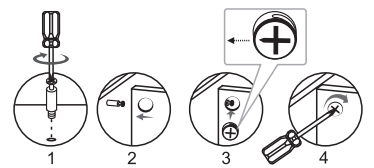
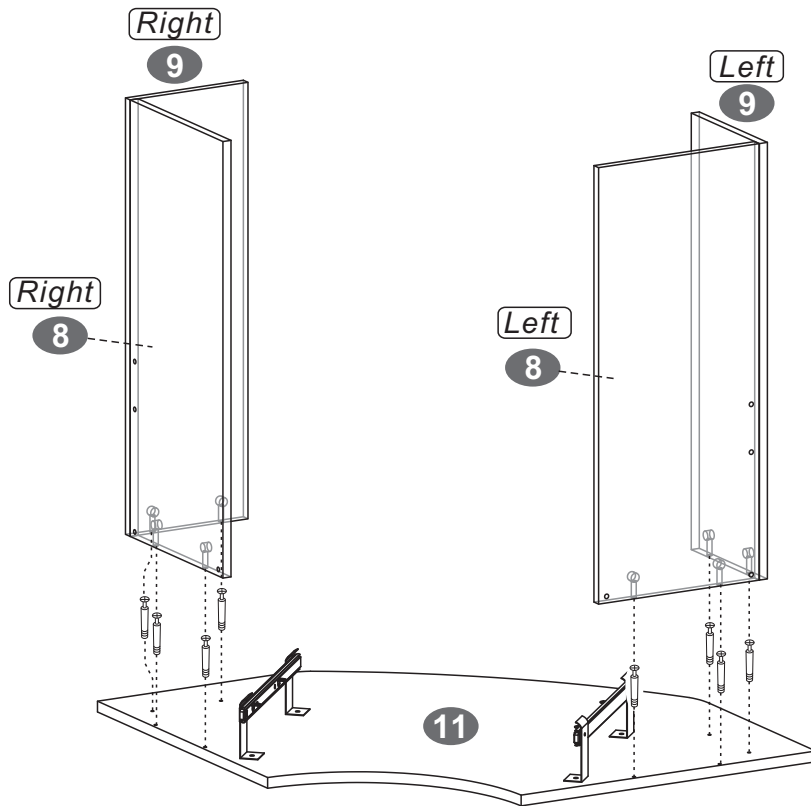
SCREWS

G 4X4 MM

x4



8



▪ SCREWS

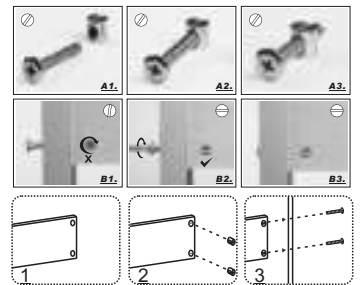
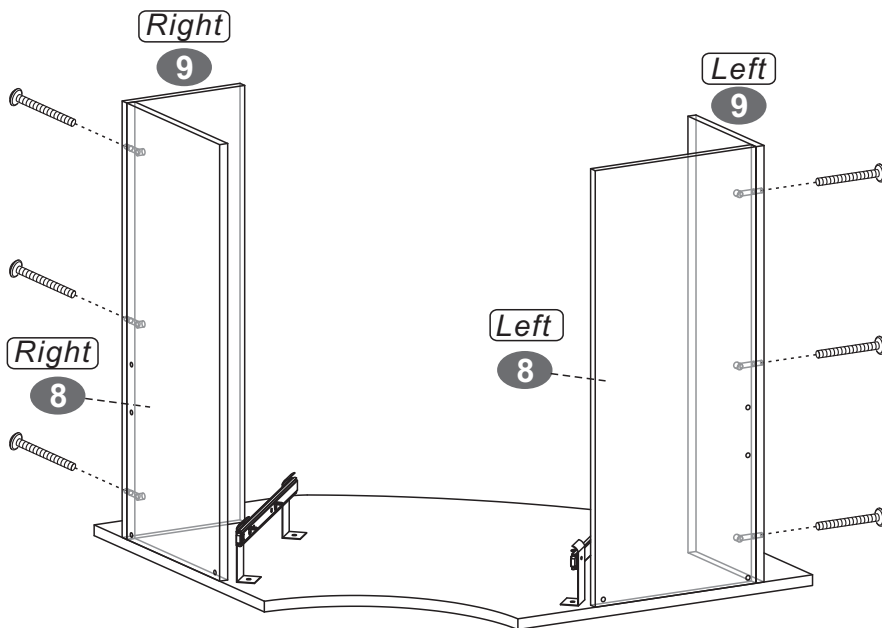
E 6X40 MM

x8

I Φ 15 MM

x8

9



▪ SCREWS

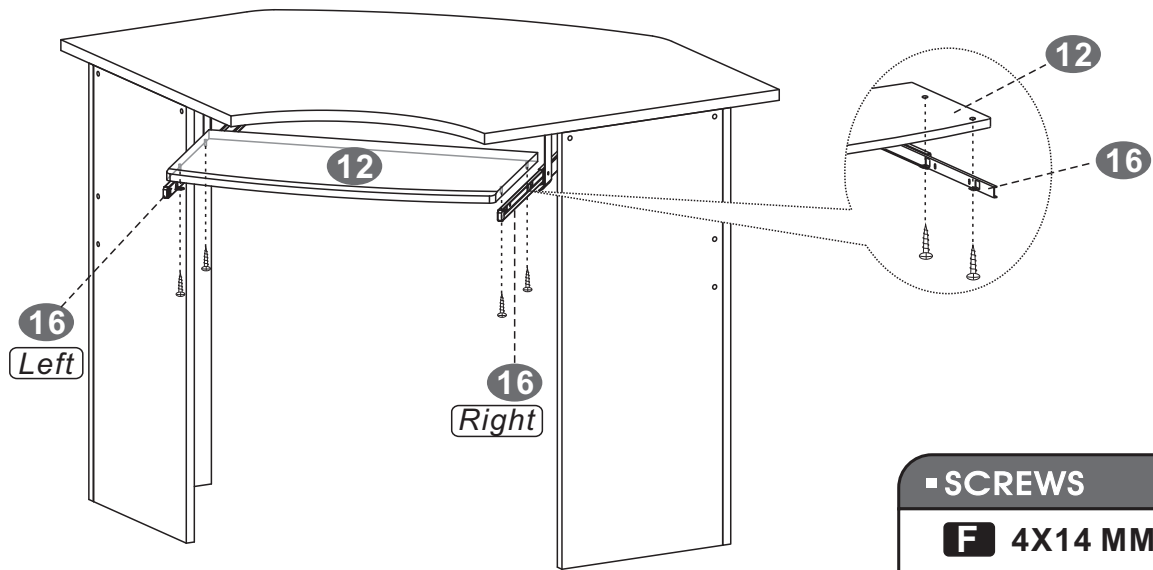
A 6X50 MM

x6

H Φ 10 MM

x6

10



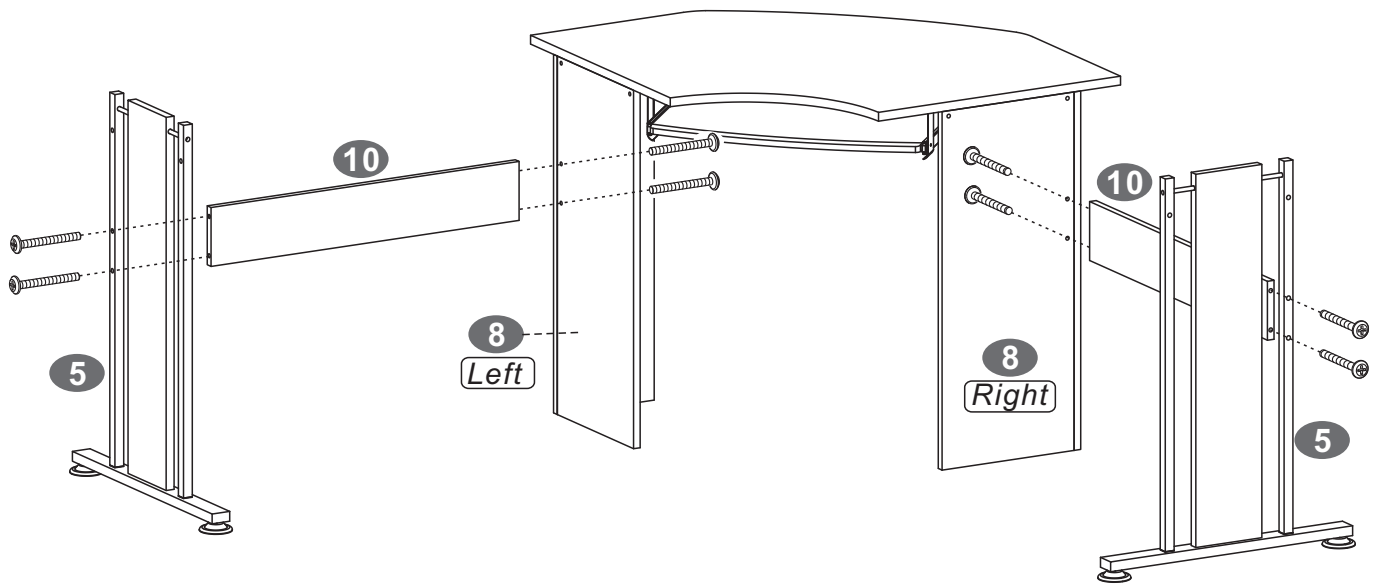
▪ SCREWS

F 4X14 MM

x4



11



▪ SCREWS

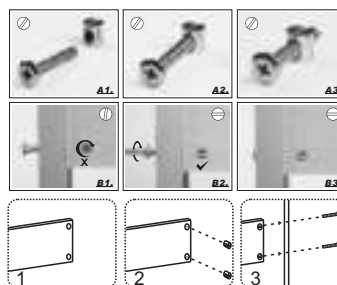
A 6X50 MM

x8

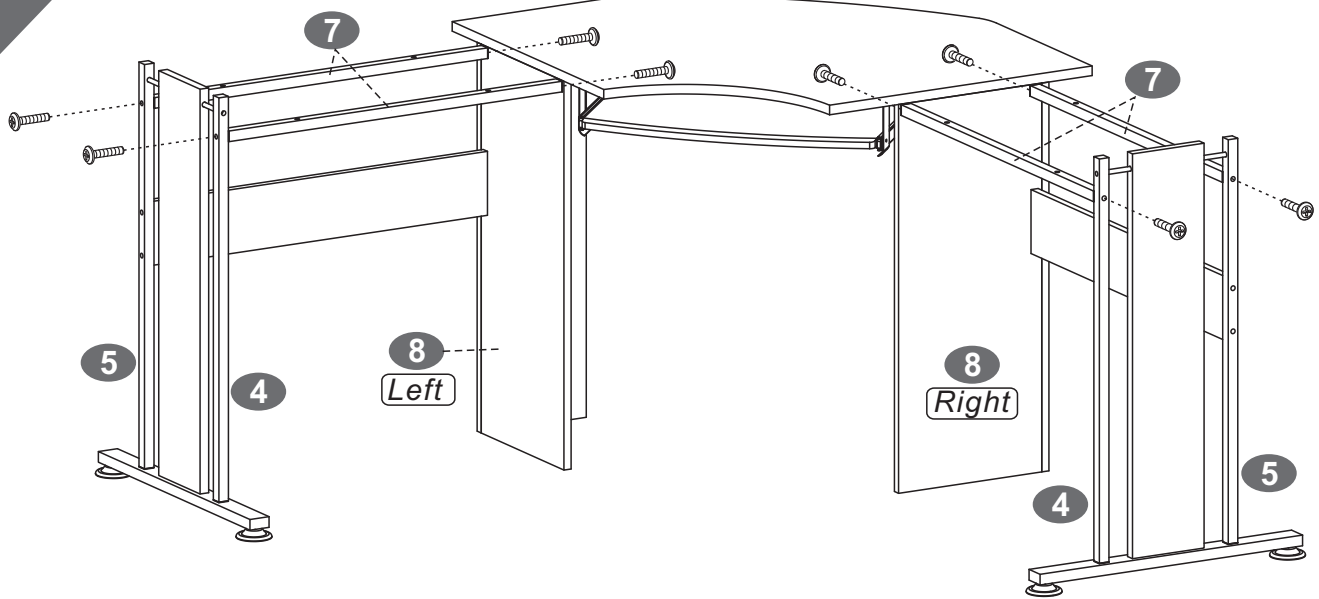


H Φ 10 MM

x8



12



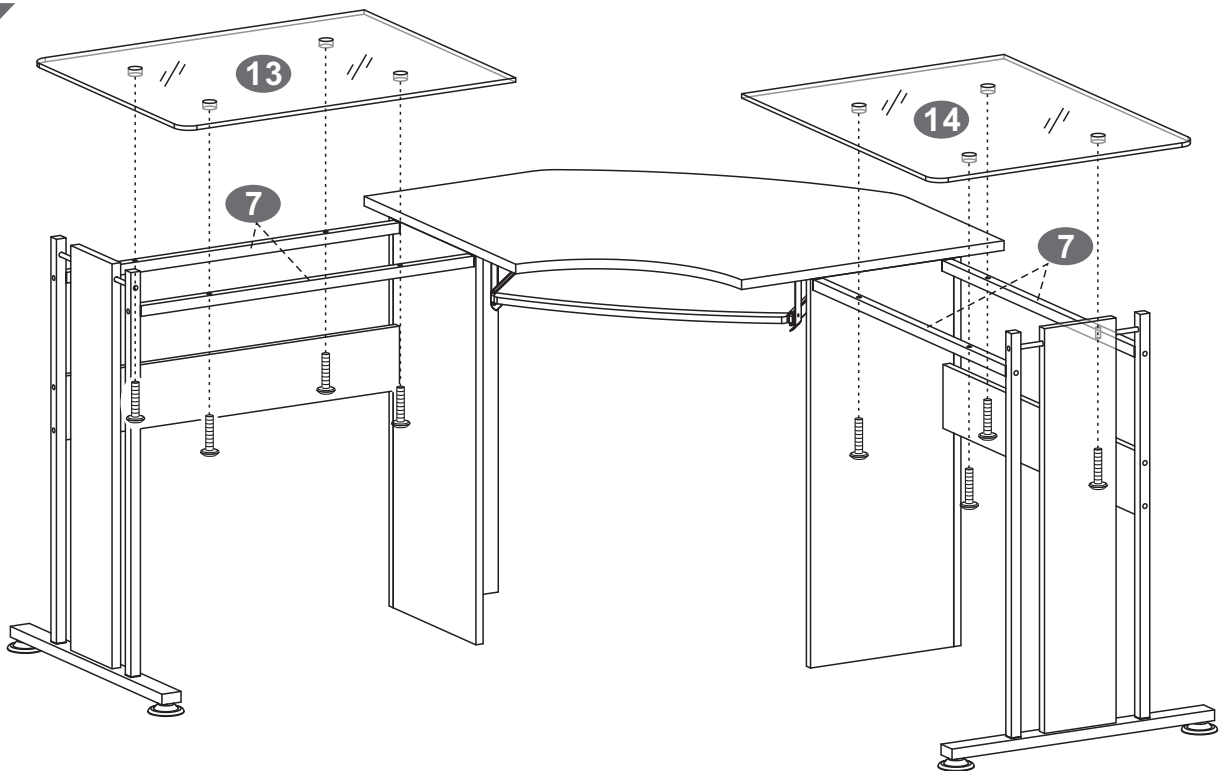
■ SCREWS

B 6X25 MM

 x8



13



■ SCREWS

B 6X25 MM

 x8

