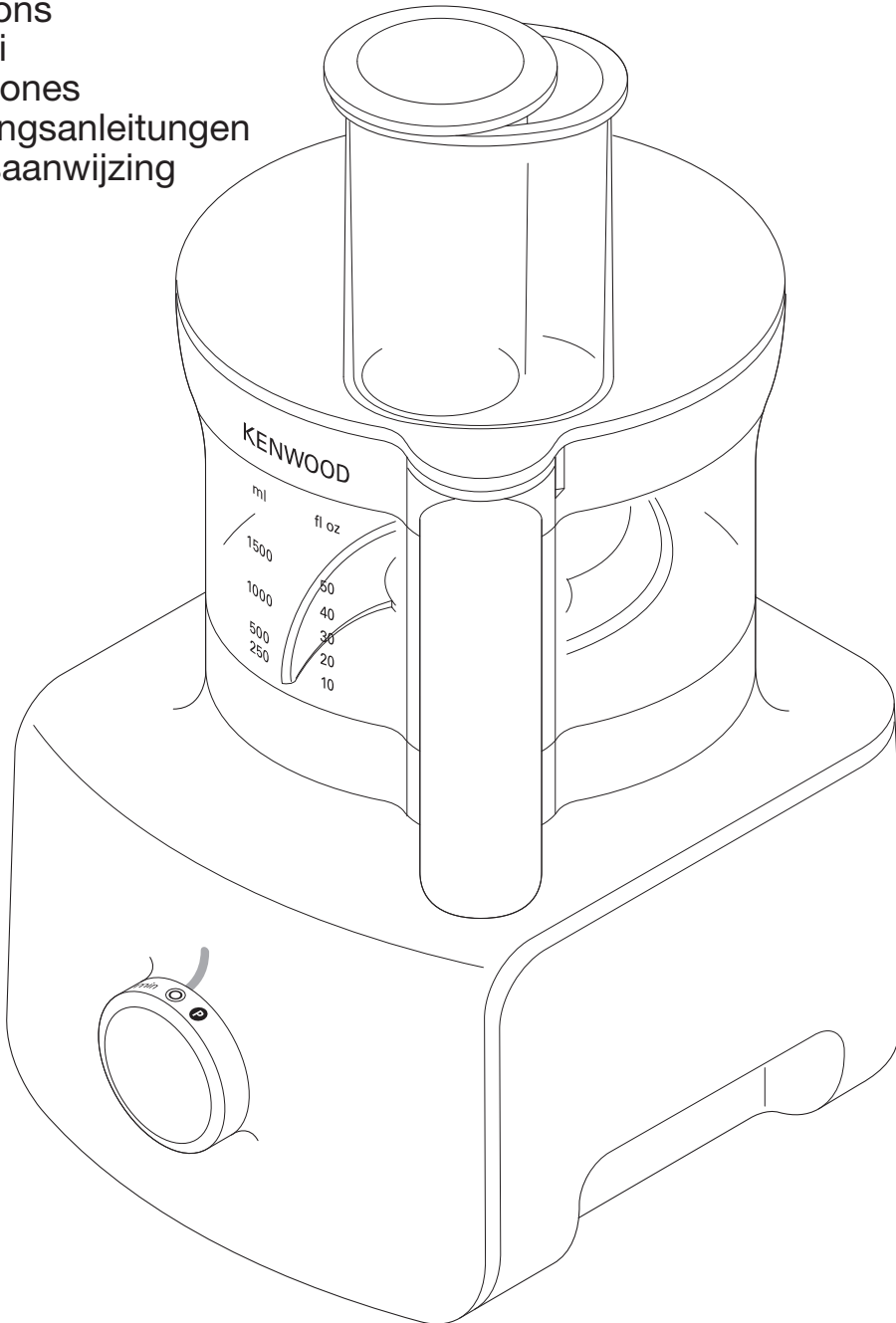


KENWOOD

TYPE FDP60

instructions
istruzioni
instrucciones
Bedienungsanleitungen
gebruiksaanwijzing



English 3 - 13

Nederlands 14 - 25

Français 26 - 37

Deutsch 38 - 49

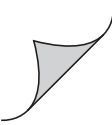
Italiano 50 - 61

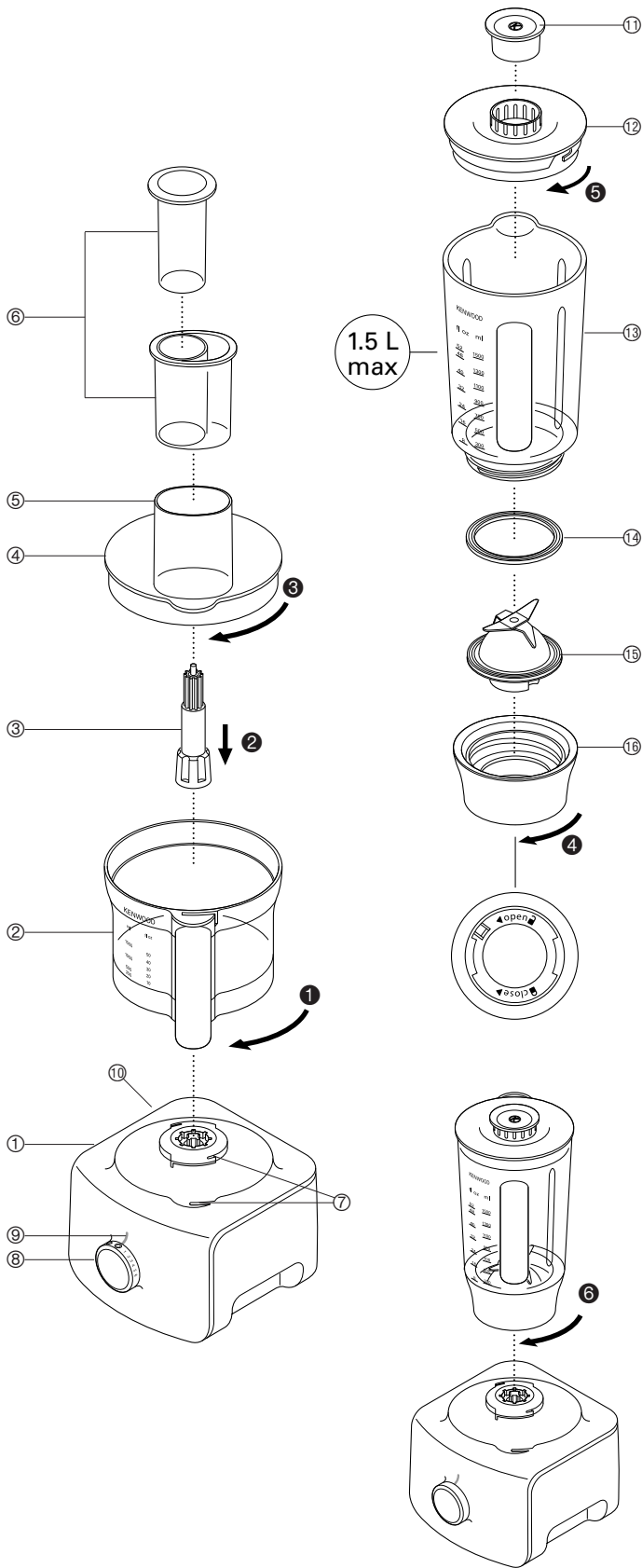
Dansk 62 - 72

Svenska 73 - 83

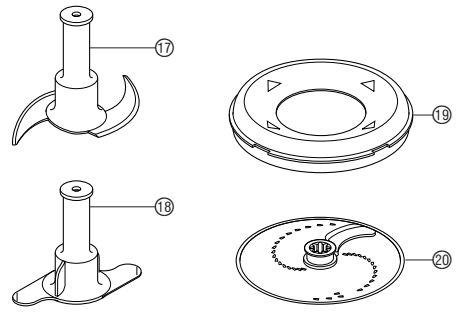
Norsk 84 - 94

Suomi 95 - 105

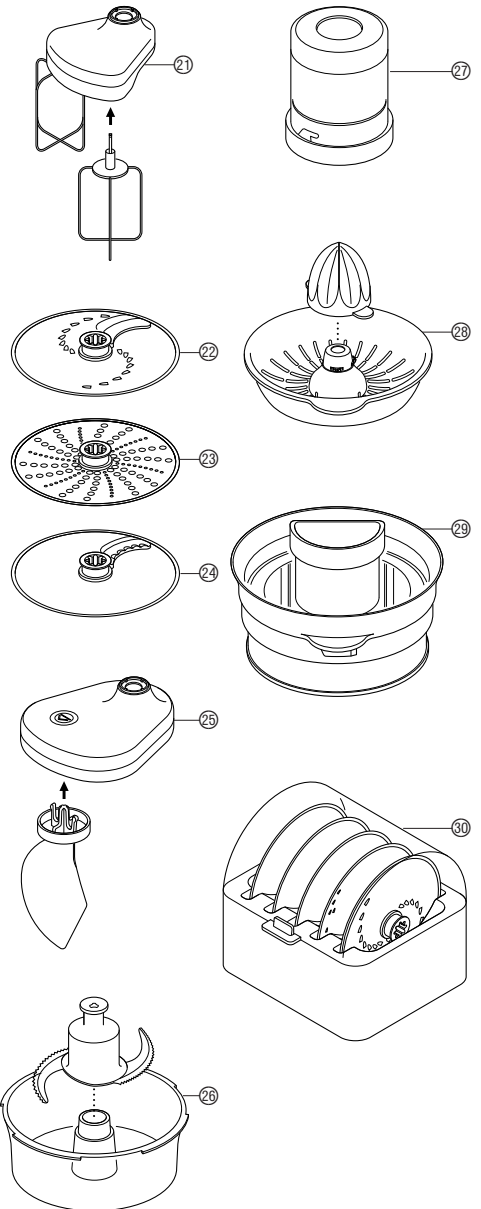


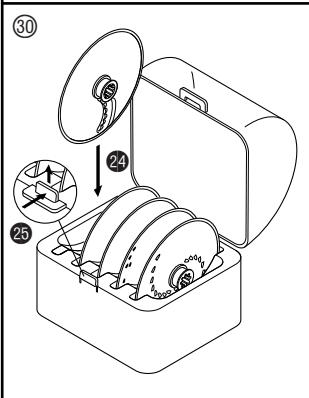
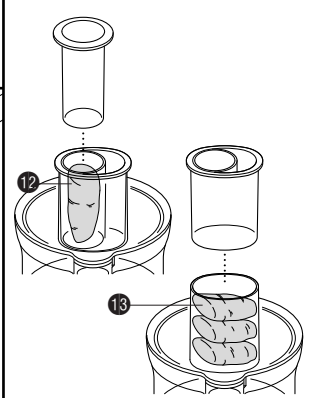
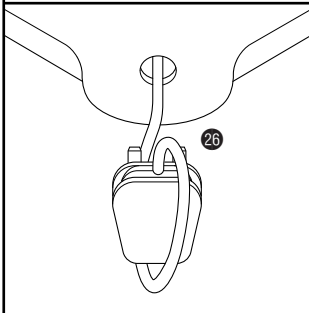
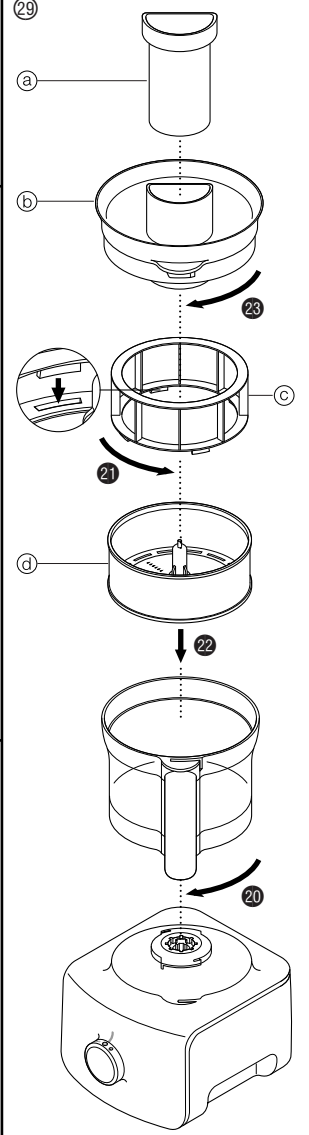
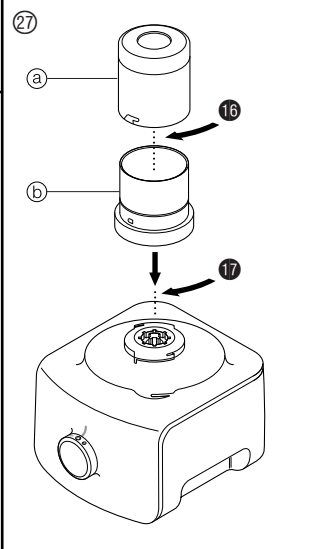
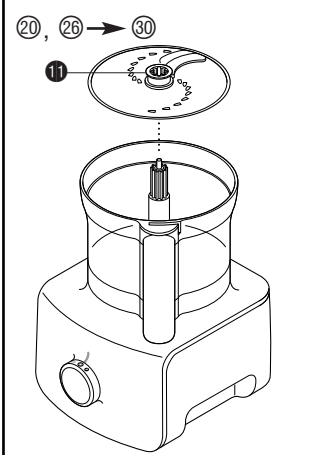
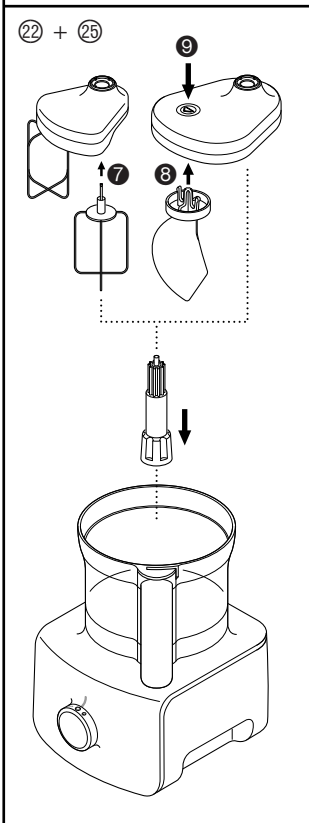
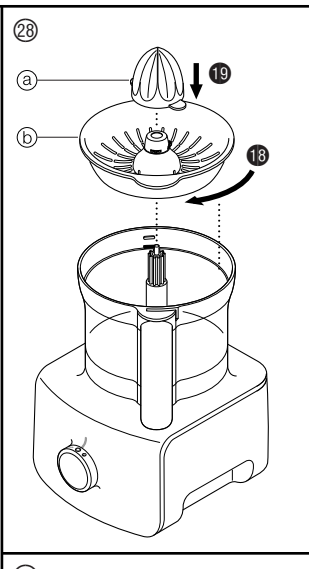
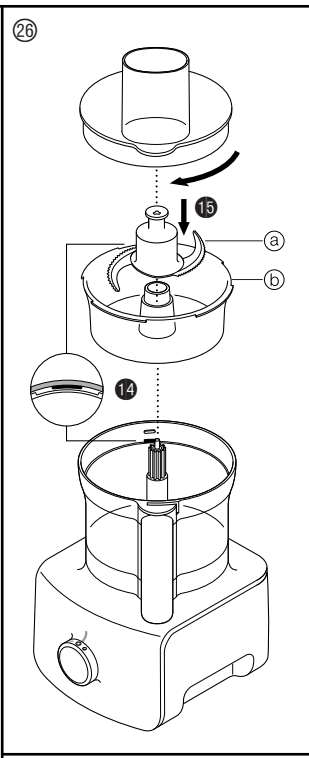
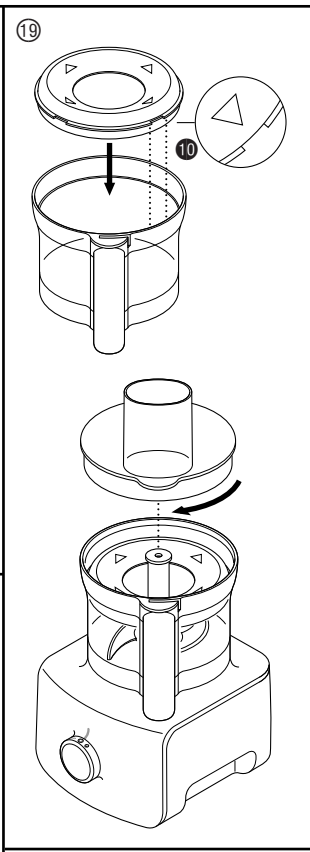
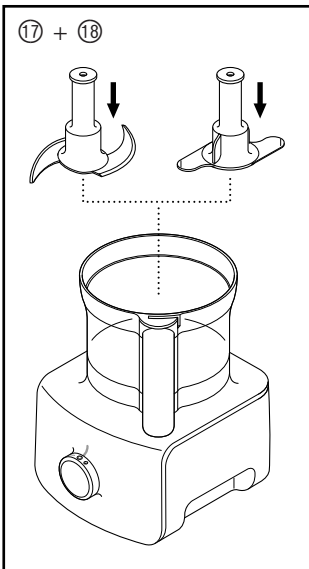


A - standard attachments



B - optional attachments





safety

- Read these instructions carefully and retain for future reference.
- Remove all packaging and any labels.
- The blades and discs are very sharp, handle with care. **Always hold by the finger grip at the top, away from the cutting edge, both when handling and cleaning.**
- Do not lift or carry the processor by the handle - or the handle may break resulting in injury.
- Always remove the knife blade before pouring contents from the bowl.
- Keep hands and utensils out of the processor bowl and blender goblet whilst connected to the power supply.
- Switch off and unplug:-
 - before fitting or removing parts;
 - when not in use;
 - before cleaning.
- Never use your fingers to push food down the feed tube. Always use the pusher/s supplied.
- **Never fit the blade unit to the power unit without the blender goblet or compact chopper/grinder fitted.**
- Before removing the lid from the bowl or blender or compact chopper/grinder from the power unit:-
 - switch off;
 - wait until the attachment/blades have completely stopped;
 - be careful not to unscrew the blender goblet or compact chopper/grinder from the blade assembly.
- **SCALD RISK:** Hot ingredients should be allowed to cool to room temperature before blending.
- Do not use the lid to operate the processor, always use the on/off speed control.
- **This appliance will be damaged and may cause injury if the interlock mechanism is subjected to excessive force.**
- **Always unplug your food processor when not in use.**
- Never use an unauthorised attachment.
- Never leave the appliance unattended when it is operating.
- Never use a damaged appliance. Get it checked or repaired: see 'service & customer care'.
- Never let the power unit, cord or plug get wet.
- Don't let excess cord hang over the edge of a table or worktop or touch hot surfaces.
- Do not exceed the maximum capacities stated in the recommended speed chart.

- Children should be supervised to ensure that they do not play with the appliance.
- This appliance shall not be used by children. Keep the appliance and its cord out of reach of children.
- Appliances can be used by persons with reduced physical, sensory or mental capabilities or lack of experience and knowledge if they have been given supervision or instruction concerning use of the appliance in a safe way and if they understand the hazards involved.
- Only use the appliance for its intended domestic use. Kenwood will not accept any liability if the appliance is subject to improper use, or failure to comply with these instructions.
- Misuse of your processor/blender can result in injury.
- The maximum rating is based on the attachment that draws the greatest load. Other attachments may draw less power.
Refer to the relevant section under “using the attachments” for additional safety warnings for each individual attachment.

blender safety

- **SCALD RISK:** Hot ingredients should be allowed to cool to room temperature before blending.
- Always take care when handling the blade assembly and avoid touching the cutting edge of the blades when cleaning.
- Only operate the blender with the lid in place.
- Only use the goblet with the blade assembly supplied.
- Never run the blender empty.
- To ensure the long life of your blender, do not run it for longer than 60 seconds.
- Smoothie recipes - never blend frozen ingredients that have formed a solid mass during freezing, break it up before adding to the goblet.
- Never blend more than the max level - 1.5 litres (53 fl oz).

slicing/grating disc safety

- **Never remove the lid until the cutting disc has completely stopped.**
- **Handle the cutting discs with care - they are extremely sharp.**
- **Do not overfill the bowl – do not exceed the maximum capacity level marked on the bowl.**

mini bowl and knife safety

- Never remove the lid until the knife blade has completely stopped.
- The knife blade is very sharp - always handle with care.

compact chopper/grinder safety

- Never fit the blade unit to your food processor without the jar fitted.
- Never unscrew the jar while the compact chopper/grinder is fitted to your appliance.
- Do not touch the sharp blades – Keep the blade unit away from children.
- Never remove the compact chopper/grinder until the blades have completely stopped.
- To ensure the long life of your compact chopper/grinder, do not run it continuously for longer than 60 seconds. Switch off as soon as you have got the right consistency.
- The appliance will not work if the compact chopper/grinder is incorrectly fitted.
- Do not process turmeric root in the compact chopper/grinder as it is too hard and may damage the blades.

juice extractor safety

- **Do not use the juice extractor if the filter is damaged.**
- Only use the pusher supplied. Never put your fingers in the feed tube. Unplug before unblocking the feed tube.
- Before removing the lid, switch off and wait for the filter to stop.
- Never use a damaged attachment.

before plugging in

- Make sure your electricity supply is the same as the one shown on the underside of your appliance.
- This appliance conforms to EC directive 2004/108/EC on Electromagnetic Compatibility and EC regulation no. 1935/2004 of 27/10/2004 on materials intended for contact with food.

before using for the first time

- 1 Remove the plastic blade covers from the knife blade. **Take care the blades are very sharp.** These covers should be discarded as they are to protect the blade during manufacture and transit only.
- 2 Wash the parts see 'care & cleaning'

key

processor

- ① power unit
- ② bowl with drive shaft
- ③ detachable drive shaft
- ④ lid
- ⑤ feed tube
- ⑥ pushers
- ⑦ safety interlocks
- ⑧ speed/pulse control
- ⑨ power on light
- ⑩ cord storage (at back)

blender

- ⑪ filler cap
- ⑫ lid
- ⑬ goblet
- ⑭ sealing ring
- ⑮ blade unit
- ⑯ base

A - standard attachments

- ⑰ knife blade
- ⑱ dough tool
- ⑲ max capacity disc
- ⑳ 2mm slicing/grating disc

B - optional attachments

Not all the attachments listed below will be included with your food processor model. Attachments are dependent upon the model variant. For more information or to order additional attachments refer to the "service and customer care" section.

- ㉑ dual whisk (if supplied)
- ㉒ 4mm slicing/grating disc (if supplied)
- ㉓ extra fine grater disc (if supplied)
- ㉔ French fry disc (if supplied)
- ㉕ folding tool (if supplied)
- ㉖ mini bowl and blade (if supplied)
- ㉗ grinding mill (if supplied)
- ㉘ citrus juicer (if supplied)
- ㉙ juicer extractor (if supplied)
- ㉚ attachment storage box (if supplied)

to use your food processor

- 1 Fit the bowl to the power unit. Place the handle towards the right hand side and turn forward ① until it locks.
- 2 Fit an attachment over the bowl drive shaft.

Note: Detachable drive shaft ② should be fitted when using the discs, mini bowl, whisk, folding tool and citrus juicer.

- Always fit the bowl and attachment onto the processor before adding ingredients.
- 3 Fit the lid ensuring the top of the drive shaft/tool locates into the centre of the lid ③.
 - **The processor will not operate if the bowl or lid are not fitted correctly into the interlock. Check that the feed tube and bowl handle are situated to the right hand side.**
 - 4 Plug in. The Power On light will come on. Select one of the following options: -
Speed Control – manually select the required speed (refer to the recommended speed chart).
Pulse – use the pulse (P) for short bursts. The pulse will operate for as long as the control is held in position.
 - 5 At the end of processing turn the speed control to the 'OFF' position (Align the speed control with the power on light ⑨).
 - **Always switch off and unplug before removing the lid.**
 - important**
 - Your processor is not suitable for crushing or grinding coffee beans, or converting granulated sugar to caster sugar.

to use your blender

- 1 Fit the sealing ring (14) into the blade unit (15) - ensuring the seal is located correctly. **Leaking will occur if the seal is damaged or incorrectly fitted.**
- 2 Clip the blade unit (15) into the base (16).
- 3 Screw the blade assembly onto the goblet - ensuring the blade assembly is fully tightened (4). Refer to the graphics on the underside of the base as follows:

 - unlocked position

 - locked position

The blender will not work if incorrectly assembled.

- 4 Put your ingredients into the goblet.
- 5 Fit the filler cap to the lid, then place the lid on the goblet and turn in a clockwise direction (5) to lock.
- 6 Place the blender onto the power unit, and turn clockwise (6) to lock.

• The appliance will not operate if the blender is incorrectly fitted to the interlock.

- 7 Select a speed (refer to the recommended speed chart) or use the pulse control.

hints

- When making mayonnaise, put all the ingredients, except the oil, into the blender. Remove the filler cap. Then, with the appliance running, add the oil slowly through the hole in the lid.
- Thick mixtures, e.g. pâtés and dips, may need scraping down. If the mixture is difficult to process, add more liquid.
- Ice crushing - operate the pulse in short bursts until crushed to the desired consistency.
- The processing of spices is not recommended as they may damage the plastic parts.
- The appliance will not work if the blender is incorrectly fitted.
- To blend dry ingredients - cut into pieces, remove the filler cap, then with the appliance running, drop the pieces down one by one. Keep your hand over the opening. For best results empty regularly.
- Don't use the blender as a storage container. Keep it empty before and after use.
- Never blend more than 1.5 litres (53 fl oz) - less for frothy liquids like milkshakes.

recommended speed chart

tool/attachment	function	recommended speed	processing time *	maximum capacities
Knife blade	All in one cake mixes	Max	15-20 secs	1.5Kg/3lb 5oz flour weight
	Pastry - rubbing fat into flour	Mid - Max	10 secs	340g/12oz flour weight
	Adding water to combine pastry ingredients		10-20 secs	
	Chopping fish and lean meat Pâtés and terrines	Max	10-30 secs	600g/1lb 6oz max lean beef
	Chopping vegetables	Pulse	5-10 secs	500g/1lb 2oz
	Chopping nuts	Max	30-60 secs	200g/8oz
	Pureeing soft fruit, cooked fruit and vegetables	Max	10-30 secs	1Kg/2lb 4oz
	Sauces, dressing and dips	Max	2 mins max	800g/1lb 8oz
Knife blade with max capacity disc	Cold soups	Start at low speed and increase to maximum	30-60 secs	1.5 litres/53 fl oz
	Milkshakes/batters		15-30 secs	1 litres/2pts
Dual whisk	Egg whites	Max	60-90 secs	6 (200g)
	Egg & sugar for fatless sponges	Max	4-5 min	3 (150g)
	Cream	Max	30 secs	500 ml/1pt
	Creaming fat and sugar	Max	2 mins max	200g/8oz fat 200g/8oz sugar
Dough tool	Yeasted mixes	Max	60 secs	1Kg/ 2lb 4oz total wt
	White Bread Flour	Max	60 secs	600g/1lb 6oz flour wt
	Wholemeal Bread Flour	Max	60 secs	500g/1lb 2oz flour wt
Folding tool	Whipping cream and fruit purees	Min - Low	60 secs	300g/12oz cream, 300g/12oz puree
	Egg whites into heavy mixtures	Min - Low	60 secs	600g/1lb 6oz total wt
	Macaroons	Min - Low	60 secs	500g/1lb 2oz total wt
Discs - slicing/grating	Firm food items such as carrots, hard cheeses	Mid - Max	-	Do not fill above the maximum capacity marked on the bowl
	Softer items such as cucumbers, tomatoes	Min - Mid	-	
Extra fine grater	Parmesan cheese, potatoes for German potato dumplings	Max	-	
French fry disc	Cuts potatoes for thin French Fries and ingredients for casseroles and dips (eg cucumber, apple and pear.)	Max	-	
Blender	Cold liquids and drinks	Max	15-30 secs	
	Stock based soups	Max	30 secs	1.2 litres/42 fl oz
	Soups using milk	Max	30 secs	1 litres/2pt
	SCALD RISK: Hot ingredients should be allowed to cool to room temperature before blending.			
Mini bowl and knife	Meat	Max	20 secs + Pulse	200g/8oz Lean beef
	Chopping herbs	Max	30 secs	15g/½oz
	Chopping nuts	Max	30 secs	50g/2oz
	Mayonnaise	Max	30 secs	2 Eggs 300g/12oz Oil
	Purees	Max	30 secs	200g/8oz
Citrus Juicer	Smaller items i.e. limes and lemons	Min - Low	-	1Kg/2lb 4oz
	Larger fruits i.e. oranges and grapefruits			
Juice extractor	Juicing fruit and vegetables ie apples and carrots	Max	-	800g/1lb 14oz apples 600g/1lb 6oz carrots
	Juicing soft fruits ie grapes and tomatoes	Max	-	500g/1lb 2oz
Grinding mill	Processing a range of spices	Max	30-60 secs	50g/2oz
	Grinding coffee beans	Max	30 secs	
	Chopping nuts	Pulse	10 secs	50g/2oz
	Processing garlic cloves, fresh chillies and root ginger	Pulse	10 secs	30g/1oz

* This is for guidance only and will vary depending on the exact recipe and ingredients being processed.

using the attachments

Refer to recommended speed chart for each attachment.

17 knife blade

The knife blade is the most versatile of all the attachments. The length of the processing time will determine the texture achieved. For coarser textures use the pulse control. Use the knife blade for cake and pastry making, chopping raw and cooked meat, vegetables, nuts, pâté, dips, pureeing soups and to also make crumbs from biscuits and bread.

hints

- Cut food such as meat, bread, vegetables into cubes approximately 2cm/3/4in before processing.
- Biscuits should be broken into pieces and added down the feed tube whilst the appliance is running.
- When making pastry use fat straight from the fridge cut into 2cm/3/4in cubes.
- Take care not to over-process.

18 dough tool

Use for yeasted dough mixes.

- Place the dry ingredients in the bowl and add the liquid down the feed tube whilst the appliance is running. Process until a smooth elastic ball of dough is formed this will take approx. 60 secs.
- Re-knead by hand only. Re-kneading in the bowl is not recommended as it may cause the processor to become unstable.

19 max capacity disc

When blending liquids in the bowl, the max capacity disc must be used with the knife blade. It prevents leaking and improves the chopping performance of the blade.

- 1 Fit the bowl onto the power unit.
- 2 Fit the knife blade.
- 3 Add ingredients to be processed.
- 4 Fit the capacity disc over the top of the blade ensuring it sits on the ledge inside the bowl **10**. **Do not push down on the capacity disc.**
- 5 Fit the lid and switch on.

21 dual whisk (if supplied)

Use for light mixtures such as egg whites, cream, evaporated milk and for whisking eggs and sugar for fatless sponges.

using the whisk

- 1 Fit the bowl onto the power unit, add the detachable drive shaft.
- 2 Push each beater **7** securely into the drive head.
- 3 Fit the whisk by carefully turning until it drops over the drive shaft.
- 4 Add the ingredients.
- 5 Fit the lid - ensuring the end of the shaft locates into the centre of the lid.
- 6 Switch on.

important

- **The whisk is not suitable for making all in one cake mixes as these mixes are too heavy and will damage it. Always use the knife blade.**

hints

- Best results are obtained when the eggs are at room temperature.
- Ensure the bowl and whisks are clean and free from grease before whisking.

creaming fat and sugar

- For best results fat should be allowed to soften at room temperature (20°C) before creaming. **DO NOT use fat straight from the fridge as this will damage the whisk.**
- Heavier ingredients such as flour and dried fruit should be folded in by hand.
- Do not exceed the maximum capacity or processing time stated in the recommended speed chart.

slicing/grating discs

reversible slicing/grating discs - 2mm **20**, 4mm **22**

Use the grating side for cheese, carrots, potatoes and foods of a similar texture.

Use the slicing side for cheese, carrots, potatoes, cabbage, cucumber, courgette, beetroot and onions.

extra fine grater disc **23** (if supplied)

Grates Parmesan cheese and potatoes for German potato dumplings.

French fry disc **24** (if supplied)

Cuts potatoes for thin French Fries and ingredients for casseroles and dips (eg cucumber, apple and pear.)

safety

- **Never remove the lid until the cutting disc has completely stopped.**
- **Handle the cutting discs with care - they are extremely sharp.**
- **Do not overfill the bowl - do not exceed the maximum capacity level marked on the bowl.**

to use the cutting discs

- 1 Fit the bowl onto the power unit, add the detachable drive shaft.
- 2 Holding by the centre grip, place the disc onto the drive shaft with the appropriate side uppermost **11**.
- 3 Fit the lid.
- 4 Put the food in the feed tube.
Choose which size feed tube you want to use. The pusher contains a smaller feed tube for processing individual items or thin ingredients.
To use the small feed tube - first put the large pusher inside the feed tube.
To use the large feed tube - use both pushers together.
- 5 Switch on and push down evenly with the pusher - **never put your fingers in the feed tube.**

hints

- Use fresh ingredients
- Don't cut food too small. Fill the width of the feed tube fairly full. This prevents the food from slipping sideways during processing. Alternatively use the small feed tube.
- When using the French fry disc, place ingredients horizontally.
- When slicing or grating: food placed upright 12 comes out shorter than food placed horizontally 13.
- There will always be a small amount of waste on the disc or in the bowl after processing.

25 folding tool (if supplied)

Use the folding tool to fold light ingredients into heavier mixtures for example meringues, mousses and fruit fools.

- 1 Fit the bowl onto the power unit, add the detachable drive shaft.
- 2 Push the paddle 8 securely into the drive head.
- 3 Fit the folding tool by carefully turning until it drops over the drive shaft.
- 4 Add the ingredients.
- 5 Fit the lid – ensuring the end of the shaft locates into the centre of the lid .
- 6 **Select min - low speed.**

to remove the beater

Detach the beater from the drive head by pressing the release button 9.

hints

- Do not use high speed as a low speed is required to optimise the folding performance.
- For best results do not over whisk egg whites or cream – the folding tool will not be able to fold the mixture correctly if the whisked mix is too firm.
- Do not fold the mixture for longer than stated in the recommended speed chart as the air will be knocked out and the mix will be too loose.
- Any unmixed ingredients left on the paddle or sides of the bowl should be carefully folded in using the spatula.

26 mini bowl and knife (if supplied)

Use the mini processor bowl to chop herbs and process small quantities of ingredients e.g. meat, onion, nuts, mayonnaise, vegetables, purées, sauces and baby food.

- Ⓐ mini blade
- Ⓑ mini bowl

to use the mini bowl and knife

- 1 Fit the bowl onto the power unit, add the detachable drive shaft.
- 2 Fit the mini bowl over the detachable drive shaft - ensure the cut out sections align with the locating tabs 14 on the main bowl.
Note: The main bowl lid cannot be fitted if the mini bowl is not located correctly.
- 3 Place the knife blade over the drive shaft 15.
- 4 Add the ingredients to be processed.
- 5 Fit the lid and switch on.

safety

- Never remove the lid until the knife blade has completely stopped.
- The knife blade is very sharp - always handle with care.

important

- Do not process spices – they may damage the plastic.
- Do not process hard food such as coffee beans, ice cubes or chocolate – they may damage the blade.

hints

- Herbs are best chopped when clean and dry.
- Always add a little liquid when blending cooked ingredients to make baby food.
- Cut foods such as meat, bread, vegetables into cubes approximately 1-2 cm (½ – ¾ in) before processing.
- When making mayonnaise add the oil down the feed tube.

27 grinding mill (if supplied)

Use the grinding mill for processing dry ingredients such as nuts or coffee beans and for grinding spices such as:- Black peppercorns, cardamom seeds, cumin seeds, coriander seeds, fennel seeds, fresh ginger root, garlic cloves and fresh chillies.

- Ⓐ mill jar
- Ⓑ grinding mill blade assembly

to use your grinding mill

- 1 Place your ingredients into the blade assembly 16.
- 2 Fit the jar 17 and turn clockwise to lock 18.
- 3 Place the mill onto the power unit and turn clockwise to lock 17.
- 4 Select a speed or use the pulse (P).

safety

- Never fit the blade unit to your food processor without the jar fitted.
- Never unscrew the jar while the mill is fitted to your appliance.
- Do not touch the sharp blades – Keep the blade unit away from children.
- Never remove the mill until the blades have completely stopped.
- To ensure the long life of your mill, do not run it continuously for longer than 60 seconds. Switch off as soon as you have got the right consistency.
- The appliance will not work if the mill is incorrectly fitted.
- Do not process turmeric root in the mill as it is too hard and may damage the blades.

hints

- For optimum performance when processing spices we recommend that you do not process more than 50g at a time in the mill.
- Whole spices retain their flavour for a much longer time than ground spices so it is best to grind a small quantity fresh at a time to retain the flavour.
- To release the maximum flavour and essential oils whole spices are best roasted prior to milling.
- Cut ginger up into small pieces before processing.
- For best results the mini bowl attachment is recommended when chopping herbs.

28 citrus juicer (if supplied)

Use the citrus juicer to squeeze the juice from citrus fruits (eg oranges, lemons, limes and grapefruits).

- (a) cone
- (b) sieve

to use the citrus juicer

- 1 Fit the bowl onto the power unit, add the detachable drive shaft.
 - 2 Fit the sieve into the bowl - ensuring the sieve handle is locked into position directly over the bowl handle 18.
 - 3 Place the cone over the drive shaft turning until it drops all the way down 19.
 - 4 Cut the fruit in half. Then switch on and press the fruit onto the cone.
- **The citrus juicer will not operate if the sieve is not locked correctly.**
 - For best results store and juice the fruit at room temperature and hand roll on a worktop before juicing.
 - To help with juice extraction move the fruit from side to side when juicing.
 - When juicing large quantities, empty the strainer regularly to prevent the build up of pulp and seeds.

29 juice extractor (if supplied)

Use the centrifugal juicer for making juice from firm fruit and vegetables.

safety

- **Do not use the juice extractor if the filter is damaged.**
 - Only use the pusher supplied. Never put your fingers in the feed tube. Unplug before unblocking the feed tube.
 - Before removing the lid, switch off and wait for the filter to stop.
 - Never use a damaged attachment.
- (a) pusher
 - (b) lid
 - (c) pulp remover
 - (d) filter drum

to use the juice extractor

- 1 Fit the bowl to the power unit 20.
 - 2 Place the pulp remover into the filter drum - ensuring the tabs locate with the slots in the bottom of the drum 21.
 - 3 Fit the filter drum 22.
 - 4 Place the attachment lid onto the bowl, turn until it locks and the feed tube sits over the handle 23. **Your juice extractor will not operate if the bowl or lid are not fitted correctly into the interlock.**
 - 5 Cut the food to fit the feed tube.
 - 6 Switch on and push down evenly with the pusher - **never put your fingers in the feed tube.** Process fully before adding more.
- After adding the last piece, let the juice extractor run for a further 30 seconds to extract all the juice from the filter drum.

important

- If the juice extractor starts to vibrate, switch off and empty the pulp from the drum. (The juice extractor vibrates if the pulp becomes unevenly distributed).
- Maximum capacity that can be processed at one time is 800g of fruit or vegetables (refer to speed chart).
- Some very hard foods may make your juice extractor slow down or stop. If this happens switch off and unblock the filter.
- Switch off and clear the pulp collector regularly during use.

hints

- Before processing remove stones and pips (eg pepper, melon, plum) and tough skins (eg melon, pineapple). You don't need to peel or core apples and pears.
- Use firm, fresh fruit and vegetables.
- To maximise juice extraction place small quantities at a time in the feed tube and push down slowly.
- Citrus fruit - peel and remove the white pith, otherwise the juice may taste bitter. For best results use the citrus juicer.

30 attachment storage box (if supplied)

Your food processor is supplied with a storage box for your discs.

- 1 Fit the discs into the storage box when not in use 24.
- 2 The storage box is fitted with a safety lock - close the lid to lock. To open lift up the lid 25.


care & cleaning

- Always switch off and unplug before cleaning.
- **Handle the blades and cutting discs with care - they are extremely sharp.**
- Some foods may discolour the plastic. This is perfectly normal and won't harm the plastic or affect the flavour of your food. Rub with a cloth dipped in vegetable oil to remove the discolouration.

power unit

- Wipe with a damp cloth, then dry. Ensure that the interlock area is clear of food debris.
- Don't immerse the power unit in water.
- Store excess cord in the storage area at the back of the power unit 26.

blender

- 1 Empty the goblet, unscrew the blade unit by turning to the unlock position  to release. Then remove the blade unit by pushing up from underneath.
- Care should be taken when removing the blade unit from the base.
- 2 Wash the goblet by hand.
- 3 Remove and wash the seal.
- 4 Don't touch the sharp blades - brush them clean using hot soapy water, then rinse thoroughly under the tap. **Don't immerse the blade unit in water.**
- 5 Leave to dry upside down.

dual whisk


- Detach the beaters from the drive head by gently pulling them free. Wash in warm soapy water.
- Wipe the drive head with a damp cloth, then dry. **Do not immerse the drive head in water.**



grinding mill

- Remove the blade assembly from the jar by turning in an anti-clockwise direction.
- Wash the jar by hand.
- Don't touch the sharp blades – brush them clean using hot soapy water, then rinse thoroughly under the tap. **Don't immerse the blade unit in water.**
- Leave to dry upside down.

folding tool

- Detach the beater from the drive head by pressing the release button . Wash in warm soapy water.
- Wipe the drive head with a damp cloth, then dry. **Do not immerse the drive head in water.**

filter drum

- The cutting blades on the base of the filter drum are very sharp, take care when handling and cleaning the drum.

all other parts

- Wash by hand, then dry.
- Alternatively they are dishwasher safe and can be washed on the top rack of your dishwasher. Avoid placing items on the bottom rack directly over the heating element. A short low temperature (Maximum 50°C) programme is recommended.

IMPORTANT INFORMATION FOR CORRECT DISPOSAL OF THE PRODUCT IN ACCORDANCE WITH EC DIRECTIVE 2002/96/EC.

At the end of its working life, the product must not be disposed of as urban waste.

It must be taken to a special local authority differentiated waste collection centre or to a dealer providing this service.

Disposing of a household appliance separately avoids possible negative consequences for the environment and health deriving from inappropriate disposal and enables the constituent materials to be recovered to obtain significant savings in energy and resources. As a reminder of the need to dispose of household appliances separately, the product is marked with a crossed-out wheeled dustbin.

item	suitable for dishwashing
main bowl, mini bowl, lid, pusher	✓
knife blades, dough tool	✓
detachable drive shaft	✓
discs	✓
max capacity disc	✓
whisk beaters/folding tool paddle	✓
Do not immerse the drive head in water	
blender goblet, lid, filler cap	✓
blade unit and seal for blender	x
juice extractor	✓
grinding mill blade assembly	x
grinding mill jar	✓
spatula	✓

service & customer care

- If the cord is damaged it must, for safety reasons, be replaced by KENWOOD or an authorised KENWOOD repairer.
- **If you experience any problems with the operation of the processor, before calling for assistance refer to the troubleshooting guide.**

If you need help with:

- using your appliance or
- servicing or repairs
- Contact the shop where you purchased your appliance.

- Designed and engineered by Kenwood in the UK.
- Made in China.

troubleshooting guide

Problem	Cause	Solution
The processor will not operate.	No Power. No power/indicator light not lit. Bowl not fitted to power unit correctly. Bowl lid not locked on correctly.	Check processor is plugged in. Check bowl is located correctly and the handle is situated towards the right hand side. Check that the lid interlock is located correctly into the handle area. The processor will not work if the bowl and lid are fitted incorrectly.
Compact chopper/grinder will not operate.	Compact chopper/grinder not locked on correctly. Compact chopper/grinder not assembled correctly.	The compact chopper/grinder will not operate if fitted incorrectly to the interlock. Check blade unit is fully tightened onto the compact chopper/grinder jar.
Blender will not operate.	Blender not locked on correctly. Blender not assembled correctly.	The blender will not operate if fitted incorrectly to the interlock. Check blade unit is fully tightened into the goblet.
Processor stops or slows during processing.	Overload protection operated. Processor overloaded or overheated during operation. Maximum capacity exceeded.	Switch off, unplug and allow the appliance to cool down for approximately 15 minutes. Refer to the speed chart for maximum capacities to process.
Blender leaking from blade assembly base.	Seal missing. Seal incorrectly fitted. Seal damaged.	Check seal is fitted correctly and not damaged. To obtain a replacement seal see "service & customer care".
Blender seal missing from blade unit when removed from packaging.	The seal is packed pre-fitted to the blade unit.	Unscrew goblet and check that seal is fitted to blade unit. To obtain a replacement seal see "service & customer care".
Poor performance of tools/attachments.	Refer to hints in relevant "using the attachment" section. Check attachments are assembled correctly.	

Nederlands

Vouw voor het lezen a.u.b. de voorpagina met illustraties uit

veiligheid

- Lees deze instructies zorgvuldig door en bewaar ze voor toekomstig gebruik.
- Verwijder alle verpakking en labels.
- De messen en de schijven zijn erg scherp; ga er dus voorzichtig mee om.
Houd ze bij het hanteren en schoonmaken altijd bovenaan bij de vingergreep en weg van het snijvlak, vast.
- Til de keukenmachine niet bij het handvat op en draag hem evenmin op die manier; hierdoor kan het handvat afbreken, waardoor u letsel kunt oplopen.
- Voordat u de inhoud uit de kom giet, dient u altijd eerst het mes te verwijderen.
- Houd uw handen en keukengereedschap uit de kom van de keukenmachine en de beker van de blender, wanneer deze op het lichtnet is aangesloten.
- Schakel het apparaat uit en haal de stekker uit het stopcontact:-
 - voordat u onderdelen aanbrengt of verwijderd;
 - als u het apparaat niet gebruikt;
 - voor het reinigen.
- Gebruik nooit uw vingers om voedsel in de invoerkoker te duwen. Gebruik altijd de bijgeleverde stamper.
- **Zet het mes nooit op het motorblok zonder dat de beker van de blender of het compacte hak/molenhulpstuk is bevestigd.**
- Voordat u het deksel van de kom haalt of de blender of het compacte hak/molenhulpstuk van het motorblok verwijderd:-
 - zet het apparaat uit;
 - wacht totdat de hulpstukken / messen helemaal tot stilstand zijn gekomen;
 - zorg dat u de blenderbeker of het compacte hak/molenhulpstuk niet losschroeft van de messeneenheid.
- **VERBRANDINGSGEVAAR:** Laat hete ingrediënten eerst tot kamertemperatuur afkoelen voordat u ze in de blender verwerkt.
- Gebruik nooit het deksel om de keukenmachine te bedienen, maar altijd de aan/uit-knop.
- **Als teveel kracht wordt uitgeoefend op het vergrendelingsmechanisme, wordt dit apparaat beschadigd en kan het letsel veroorzaken.**
- **Haal de stekker altijd uit de keukenmachine wanneer u hem niet gebruikt.**
- Gebruik nooit een niet bij het apparaat behorend hulpstuk.
- Laat het apparaat nooit onbeheerd terwijl het aan staat.

- Gebruik nooit een beschadigd apparaat. Laat het nakijken of repareren: zie Onderhoud en klantenservice.
- Laat het motorhuis, het netsnoer of de stekker nooit nat worden.
- Laat het snoer nooit over de rand van een tafel of werkblad hangen of in aanraking komen met hete oppervlakken.
- U mag de maximum capaciteit die in de snelheidstabel wordt aangegeven, niet overschrijden.
- Op kinderen moet toezicht gehouden worden om er zeker van te zijn dat ze niet met het apparaat spelen.
- Dit apparaat mag niet door kinderen worden gebruikt. Houd het apparaat en het snoer buiten het bereik van kinderen.
- Dit apparaat kan worden gebruikt door personen met verminderde lichamelijke, sensorische of geestelijke capaciteiten of gebrek aan ervaring en kennis mits ze onder toezicht staan of instructie hebben gekregen over het veilig gebruik van het apparaat en de betrokken risico's begrijpen.
- Gebruik het apparaat alleen voor het huishoudelijke gebruik waarvoor het is bedoeld. Kenwood kan niet aansprakelijk worden gesteld in het geval dat het apparaat niet correct is gebruikt, of waar deze instructies niet worden opgevolgd.
- Misbruik van uw keukenmachine/blender kan tot letsel leiden.
- Het maximum vermogen is afhankelijk van het hulpstuk dat de grootste hoeveelheid energie verbruikt. Andere hulpstukken verbruiken misschien minder energie.

Raadpleeg de betreffende paragraaf onder De hulpstukken gebruiken voor aanvullende veiligheidswaarschuwingen voor ieder hulpstuk afzonderlijk.

veiligheid m.b.t. de blender

- **VERBRANDINGSGEVAAR:** Laat hete ingrediënten eerst tot kamertemperatuur afkoelen voordat u ze in de blender verwerkt.
- Wees voorzichtig wanneer u de messen hanteert en raak het snijvlak van de messen bij het reinigen niet aan.
- Laat de blender uitsluitend voorzien van deksel lopen.
- Gebruik de kan uitsluitend met de bijgeleverde messen.
- De blender nooit leeg gebruiken.
- Om een lange levensduur van uw blender te garanderen, mag u hem nooit langer dan 60 seconden gebruiken.
- Smoothie-recepten – verwerk nooit bevroren ingrediënten die tijdens de bevriezing tot een vaste massa gevormd zijn; breek de massa op voor u hem aan de kan toevoegt.
- Meng nooit meer dan het maximum niveau - 1,5 liter.

veiligheid m.b.t. de snij/raspschijf

- **Verwijder het deksel nooit voordat de schijf helemaal tot stilstand is gekomen.**
- **Wees voorzichtig met de snijschijven – ze zijn heel erg scherp**
- **Vul de kom niet te ver - overschrijdt de maximum capaciteit die op de kom wordt aangegeven niet.**

veiligheid m.b.t. de minikom en het mes

- Haal het deksel er nooit af voordat het meslemmet helemaal tot stilstand is gekomen.
- Het meslemmet is zeer scherp – ga er altijd voorzichtig mee om.

veiligheid m.b.t. het compacte hak/molenhulpstuk

- Breng nooit de messeneenheid op het apparaat aan zonder dat de beker is aangebracht.
- Schroef de beker nooit los terwijl het compacte hak/molenhulpstuk op uw keukenmachine bevestigd is.
- Raak de scherpe messen niet aan. Houd de messeneenheid uit de buurt van kinderen.
- Verwijder het compacte hak/molenhulpstuk pas als de messen volledig tot stilstand zijn gekomen.
- Om een lange levensduur van uw compacte hak/molenhulpstuk te garanderen, mag u hem nooit langer dan 60 seconden achtereen gebruiken. Schakel het apparaat uit zodra u de juiste consistentie hebt verkregen.
- Het apparaat werkt niet als het compacte hak/molenhulpstuk onjuist is bevestigd.
- Verwerk geen geelwortel (kurkuma) in het compacte hak/molenhulpstuk; dit is te hard en kan de messen beschadigen.

veiligheid m.b.t. de sapcentrifuge

- **De sapcentrifuge niet gebruiken als het filter beschadigd is.**
- Gebruik alleen de meegeleverde stamper. Steek uw vingers nooit in de toevoerbuïs. Haal de stekker uit het stopcontact voordat u de vulopening deblokkeert.
- Voordat u het deksel verwijdert, schakelt u de machine uit en wacht u totdat het filter is gestopt.
- Gebruik nooit een beschadigd hulpstuk.

voordat u de stekker in het stopcontact steekt

- Zorg dat de elektriciteitsvoorziening dezelfde spanning heeft als op de onderkant van het apparaat wordt aangegeven.
- Dit apparaat voldoet aan de EC-richtlijn 2004/108/EC betreffende de elektromagnetische compatibiliteit en EC-bepaling 1935/2004 van 27/10/2004 betreffende materialen die bestemd zijn voor contact met voedsel.

voordat u het apparaat voor het eerst gebruikt

- 1 Verwijder de plastic beschermhoezen van het mes. **Wees voorzichtig; de messen zijn erg scherp.** Deze beschermhoezen moeten weggegooid worden; ze zijn uitsluitend bedoeld om het mes tijdens de vervaardiging en het vervoer te beschermen.
- 2 Was de onderdelen, zie Reiniging en onderhoud.

legenda

keukenmachine

- ① motorblok
- ② kom met aandrijfas
- ③ verwijderbare aandrijfas
- ④ deksel
- ⑤ vulopening
- ⑥ duwstaafjes
- ⑦ veiligheidsvergrendeling
- ⑧ snelheids- en pulseerknop
- ⑨ aan/uit-lampje
- ⑩ snoeropslag (aan achterzijde)

blender

- ⑪ vuldop
- ⑫ deksel
- ⑬ kan
- ⑭ afsluitring
- ⑮ messeneenheid
- ⑯ voetstuk

A - standaardhulpstukken

- ⑰ meslemmet
- ⑱ deeghulpstuk
- ⑲ schijf voor maximale capaciteit
- ⑳ 2mm-snij-/raspschijf

B - optionele hulpstukken

Het kan zijn dat uw keukenmachine niet met alle hieronder genoemde hulpstukken geleverd wordt. De selectie aan hulpstukken is afhankelijk van het model. Raadpleeg het gedeelte Onderhoud en klantenservice voor meer informatie of om extra hulpstukken te bestellen.

- ㉑ dubbele garde (indien geleverd)
- ㉒ 4mm-snij-/raspschijf (indien geleverd)
- ㉓ extra fijne raspschijf (indien geleverd)
- ㉔ schijf voor dunne frietjes (indien geleverd)
- ㉕ vouwhulpstuk (indien geleverd)
- ㉖ minikom met mes (indien geleverd)
- ㉗ hak-/molenhulpstuk (indien geleverd)
- ㉘ citruspers (indien geleverd)
- ㉙ sapcentrifuge (indien geleverd)
- ㉚ opslagdoos voor hulpstukken (indien geleverd)

gebruik van uw keukenmachine

- 1 Breng de kom op het motorblok aan. Doe het handvat naar rechts en draai naar voren ① tot het klikt.
- 2 Plaats een hulpstuk op de aandrijfas van de kom.
NB: De verwijderbare aandrijfas ② moet op het apparaat worden gezet wanneer de schijven, minikom, garde, het vouwhulpstuk en de citruspers worden gebruikt.
 - Zet de kom en het hulpstuk altijd op de keukenmachine voordat u ingrediënten toevoegt.
- 3 Zet het deksel erop – zorg ervoor dat de bovenkant van de aandrijfas/het hulpmiddel in het midden van het deksel ③ past.
 - **De machine functioneert niet als de kom of het deksel niet goed vergrendeld zijn. Controleer of de vulopening en de komhendel zich aan de rechterkant bevinden.**
- 4 Steek de stekker in het stopcontact. Het lampje 'Stroom aan' gaat aan. Selecteer een van de volgende opties:-
Snelheidstoets – selecteer handmatig de vereiste snelheid (raadpleeg de tabel met aanbevolen snelheden).
Pulseren – gebruik de pulseertoets (P) voor korte pulsen. De puls duurt zolang als de toets wordt ingedrukt.
- 5 Zet de snelheidsknop aan het einde van het verwerken op de 'OFF' ('UIT') stand (Breng de snelheidsknop op dezelfde lijn als het 'Stroom aan' lampje ⑨).
 - **Voor u het deksel verwijdert, dient u het apparaat altijd uit te schakelen en de stekker uit het stopcontact te halen.**
belangrijk
 - Deze keukenmachine is niet geschikt voor het verpulveren of malen van koffiebonen of voor het vermalen van kristalsuiker tot basterdsuiker.

uw blender gebruiken

- 1 Breng de afsluitring (14) in de messeneenheid aan (15) en zorg ervoor dat de afdichting op de juiste plaats zit. **Het apparaat lekt wanneer de afsluitring beschadigd is of niet goed is aangebracht.**
- 2 Bevestig de messeneenheid (15) in het voetstuk (16).
- 3 Schroef de mesmontage op de beker en zorg ervoor dat de mesmontage volledig is vastgezet (4). Verwijs naar de grafische afbeeldingen aan de onderkant van het voetstuk als volgt:

 – onvergrendelde stand

 – vergrendelde stand

De blender werkt niet als hij incorrect in elkaar is gezet.

- 4 Plaats de ingrediënten in de kan.
- 5 Breng de vuldop op het deksel aan, doe het deksel dan op de kan en draai deze met de klok mee (5) om hem te vergrendelen.
- 6 Zet de blender op het motorblok en draai hem naar rechts (6) om hem vast te zetten.

• Het apparaat werkt niet als de blender onjuist geplaatst is op de vergrendeling.

- 7 Selecteer een snelheid (verwijs naar de tabel met aanbevolen snelheden) of gebruik de pulseerknop

tips

- Bij de bereiding van mayonaise plaatst u alle ingrediënten, met uitzondering van de olie, in de blender. Verwijder de vuldop. Giet de olie vervolgens langzaam door de opening in het deksel op het draaiende apparaat.
- Bij dikke mengsels, zoals patés en dips, moet u de wand van het apparaat misschien schoonschrappen. Als het mengsel moeilijk verwerkt kan worden, voegt u meer vloeistof toe.
- Verbrijzelen van ijsblokjes – pulseer in korte pulsen tot het ijs de gewenste consistentie bereikt heeft.
- De verwerking van specerijen wordt afgeraden; dit kan de plastic onderdelen beschadigen.
- Het apparaat werkt niet als de blender onjuist geplaatst is.
- Droge ingrediënten mengen – in stukken snijden, de vuldop verwijderen, en de stukken één voor één op het draaiende mes laten vallen. Houd uw handen over de opening. Voor het beste resultaat het apparaat regelmatig legen.
- Gebruik de blender niet om voeding in te bewaren. Zorg dat deze zowel voor als na gebruik leeg is.
- Meng nooit meer dan 1,5 liter - of minder voor schuimende vloeistoffen zoals milkshakes.

tabel met aanbevolen snelheden

instrument/hulpstuk	functie	aanbevelen snelheid	verwerkingstijd *	maximum capaciteit
Mes	Kant-en-klare taartmixen	Max	15-20 sec	1,5 kg bloemgewicht
	Gebaksdeeg – boter met bloem mengen	Mid – max	10 sec	340g bloemgewicht
	Water toevoegen om ingrediënten te mengen		10-20 sec	
	Vis en mager vlees hakken Patés en terrines	Max	10-30 sec	600g max mager rundvlees
	Groenten hakken	Pulseren	5-10 sec	500g
	Noten hakken	Max	30-60 sec	200g
	Zacht fruit, gekookt fruit en gekookte groenten pureren	Max	10-30 sec	1 kg
	Sauzen, dressing en dips	Max	max 2 min	800g
Mes met schijf voor maximale capaciteit	Koude soepen	Begin op lage snelheid en verhoog tot maximum	30-60 sec	1,5 liter
	Milkshakes/beslag		15-30 sec	1 liter
Dubbele garde	Eiwitten	Max	60-90 sec	6 (200g)
	Ei en suiker voor vetloze taarten	Max	4-5 min	3 (150g)
	Room	Max	30 sec	500 ml
	Boter en suiker kloppen	Max	max 2 min	200g vet 200g suiker
Deeghulpstuk	Mengsels met gist	Max	60 sec	1 kg totaalgewicht
	Wit broodmeel	Max	60 sec	600g bloemgewicht
	Volkoren broodmeel	Max	60 sec	500g bloemgewicht
Vouwhulpstuk	Slagroom en vruchtenpuree	Min – laag	60 sec	300g room, 300g puree
	Eiwitten in zware mengsels vouwen	Min – laag	60 sec	totaalgewicht 600g
	Bitterkoekjes	Min – laag	60 sec	totaalgewicht 500g
Schijven – snijden/ raspen	Harde ingrediënten als wortelen, harde kaas	Mid – max	–	Niet boven het op de kom aangegeven maximale vulvermogen vullen
	Zachtere ingrediënten als komkommer, tomaten	Min - Mid	–	
Extra fijne rasp	Parmezaanse kaas, aardappelen voor Duitse aardappelknoedels	Max	–	
Schijf voor dunne frietjes	Snijdt aardappelen voor dunne frietjes en ingrediënten voor ovenshotels en dipsauzen (bijv. komkommer, appel en peer)	Max	–	
Blender	Koude vloeistoffen en dranken	Max	15-30 sec	1,5 liter
	Soep op bouillonbasis	Max	30 sec	1,2 liter
	Soep met melk	Max	30 sec	1 liter
	VERBRANDINGSGEVAAR: Laat hete ingrediënten eerst tot kamertemperatuur afkoelen voordat u ze in de blender verwerkt.			
Minikom met mes	Vlees	Max	20 sec + pulseren	200g mager rundvlees
	Kruiden hakken	Max	30 sec	15g
	Noten hakken	Max	30 sec	50g
	Mayonaise	Max	30 sec	2 eieren 300g olie
	Puree	Max	30 sec	200g
Citrusfruitpers	Kleinere ingrediënten, zoals limoenen en citroenen	Min – laag	–	1 kg
	Groter fruit zoals sinaasappels en grapefruit			
Sapcentrifuge	Stevig fruit en stevige groenten d.w.z. appels en wortelen	Max	–	800 g appels 600 g wortelen
	Zacht fruit, zoals druiven en tomaten	Max	–	500 g
Hak-/molenhulpstuk	Verskillende specerijen verwerken	Max	30-60 sec	50 g
	Koffiebonen malen	Max	30 sec	
	Noten hakken	Pulseren	10 sec	50 g
	Teentjes knoflook, verse Spaanse pepers en verse gember verwerken	Pulseren	10 sec	30 g

* Dit dient uitsluitend als richtlijn en is afhankelijk van het precieze recept en de ingrediënten die worden verwerkt.

de hulpstukken gebruiken

Raadpleeg de aanbevolen snelheidstabel voor elk hulpstuk.

17 meslemmet

Van alle hulpstukken is het meslemmet het meest veelzijdige. De duur van de verwerkingstijd bepaalt de verkregen textuur. Voor een grovere textuur gebruikt u de pulseerknop. Gebruik het meslemmet voor het maken van taart en gebak, voor het fijnhakken van rauw of gekookt vlees, groenten, noten, paté, dips, voor het pureren van soep en voor het verkrummelen van koekjes en brood.

tips

- Snij etenswaren zoals vlees, brood en groente in blokjes van 2 cm, voordat u ze gaat verwerken.
- Koekjes moeten in stukjes verbrokken worden en via de vulopening worden toegevoegd, terwijl de machine draait.
- Als u gebak maakt en de boter rechtstreeks uit de koelkast gebruikt, moet u de boter in blokjes van 2 cm snijden.
- Zorg ervoor dat u de machine niet te lang gebruikt.

18 deeghulpstuk

Deze haak wordt gebruikt voor het kneden van gegist deeg.

- Doe de droge ingrediënten in de kom en giet de vloeistof door de toevoerbuis, terwijl de vulopening draait. Meng de ingrediënten totdat een gladde elastische deegbal ontstaat. Dit duurt 60 seconden.
- Kneed het deeg opnieuw met de hand. Kneed het deeg niet in de kom, omdat de machine hierdoor instabiel kan worden.

19 schijf voor max capaciteit

Wanneer vloeistoffen worden gemengd in de kom, moet gebruik worden gemaakt van de schijf voor maximale capaciteit met het mes. Hierdoor wordt lekken voorkomen en worden de hakprestaties van het mes verbeterd.

- 1 Zet de kom op het motorblok.
- 2 Monteer het meselement.
- 3 Voeg de ingrediënten toe die verwerkt moeten worden.
- 4 Zet de schijf voor maximale capaciteit over de bovenkant van het mes; zorg er hierbij voor dat de schijf op de rand in de kom rust **10**. **Duw de capaciteitsschijf niet naar beneden.**
- 5 Plaats het deksel op de kom en zet de machine aan.

21 dubbele garde (indien geleverd)

Gebruiken voor lichte mengsels zoals eiwitten, room, gecondenseerde melk en voor het kloppen van eieren en suiker voor vetloos biscuitgebak.

de garde gebruiken

- 1 Plaats de kom op het motorblok en bevestig de verwijderbare aandrijfas.
- 2 Duw beide gardes **7** goed in de aandrijfkop.
- 3 Monteer de garde door hem zorgvuldig te draaien, totdat hij over de aandrijfas zakt.
- 4 Voeg de ingrediënten aan de kom toe.

- 5 Zet het deksel erop – zorg ervoor dat de bovenkant van de aandrijfas in het midden van het deksel past.
- 6 Zet de machine aan.

belangrijk

- **De garde is niet geschikt om kant-en-klare taartmixen te bereiden, aangezien deze mengsels te zwaar zijn en de garde zullen beschadigen. Gebruik altijd het mes.**

tips

- Het beste resultaat wordt verkregen met eieren op kamertemperatuur.
- Zorg ervoor dat de kom en de garde schoon en vetvrij zijn, voordat u ze gaat gebruiken.

boter en suiker kloppen

- Voor het beste resultaat moet de boter eerst op kamertemperatuur komen (20 °C) voordat hij wordt geklopt. **Gebruik GEEN boter die rechtstreeks uit de koelkast komt, omdat de garde hierdoor beschadigd raakt.**
- Zwaardere ingrediënten zoals bloem en gedroogd fruit moeten handmatig worden ingevouwen.
- U mag de maximum capaciteit of verwerkingstijd die in de snelheidstabel wordt aangegeven, niet overschrijden.

schijven voor snijden/raspen

omkeerbare schijven voor snijden/raspen – 2mm **20**, 4mm **22**

Gebruik de raspzijde voor kaas, wortels, aardappelen en voedingsmiddelen met een gelijksoortige textuur.

Gebruik de snijzijde voor kaas, wortels, aardappelen, kool, komkommer, courgette, bieten en uien.

extra fijne raspenschijf **23** (indien geleverd)

Voor het raspen van Parmezaanse kaas en aardappelen voor knoedels.

schijf voor dunne frietjes **24** (indien geleverd)

Snijdt aardappelen voor dunne frietjes en ingrediënten voor ovensoepjes en dipsauzen (bijv. komkommer, appel en peer)

veiligheid

- **Verwijder het deksel nooit voordat de schijf helemaal tot stilstand is gekomen.**
- **Wees voorzichtig met de snijschijven – ze zijn heel erg scherp**
- **Vul de kom niet te ver - overschrijdt de maximum capaciteit die op de kom wordt aangegeven niet.**

de snijschijven gebruiken

- 1 Plaats de kom op het motorblok en bevestig de verwijderbare aandrijfas.
- 2 Houd de schijf aan de middengreep vast en plaats hem op de aandrijfas, met de juiste zijde naar boven gekeerd **11**.
- 3 Zet het deksel op zijn plaats.

- 4 Doe de ingrediënten in de vulopening.
Kies de maat toevoerbuis die u wilt gebruiken. De pusher bevat een kleinere toevoerbuis voor de verwerking van individuele items en dunne ingrediënten.
De kleine toevoerbuis gebruiken: steek eerst de grote pusher in de toevoerbuis.
De grote toevoerbuis gebruiken: gebruik beide pushers tegelijkertijd.
- 5 Zet de machine aan en duw de ingrediënten gelijkmatig met de stamper naar binnen – **steek uw vingers nooit in de vulopening.**

tips

- Gebruik verse ingrediënten.
- Snijd de ingrediënten niet te klein. Vul de hele breedte van de vulopening met de ingrediënten. Zodoende kunnen de ingrediënten tijdens de verwerking niet zijwaarts schuiven. Gebruik anders de kleine toevoerbuis.
- Plaats bij het gebruik van de frietjesschijf de ingrediënten horizontaal.
- Bij gebruik van de snij- of raspschijf: voedsel dat rechtop 12 in de vulopening wordt gezet komt er korter uit dan voedsel dat horizontaal 13 wordt geplaatst.
- Er blijven altijd restjes aan de schijf of in de kom hangen na de verwerking.

25 vouwhulpstuk (indien geleverd)

Gebruik het vouwhulpstuk om lichte ingrediënten in zwaardere mengsels te vouwen, zoals voor meringue, mousse en vruchtenmousse.

- 1 Plaats de kom op het motorblok en bevestig de verwijderbare aandrijfas.
- 2 Duw het roerblad 6 goed in de aandrijfkop.
- 3 Zet het vouwhulpstuk op de foodprocessor door voorzichtig te draaien tot het over de aandrijfas valt.
- 4 Voeg de ingrediënten toe.
- 5 Leg het deksel erop – zorg dat de bovenkant van de aandrijfas zich in het midden van het deksel bevindt.
- 6 **Selecteer min – lage snelheid.**

ga als volgt te werk om de klopper te verwijderen

Neem de klopper uit de aandrijfkop door op de ontgrendelingsknop te drukken 9.

tips

- Gebruik geen grote snelheid, aangezien een kleine snelheid vereist is om het invouwen te optimaliseren.
- Voor het beste resultaat de eiwitten of room niet te lang kloppen – het vouwhulpstuk kan het mengsel niet goed vouwen als het geklopte mengsel te stevig is.
- Vouw het mengsel niet langer dan aangegeven wordt in de tabel met aanbevolen snelheden, aangezien de lucht dan uit het mengsel wordt geslagen en het mengsel te slap wordt.
- Ongemengde ingrediënten op het blad of de zijkanen van de kom moeten zorgvuldig met de spatel worden ingevouwen.

26 minikom met mes (indien geleverd)

Gebruik de minikom om kruiden te hakken en om kleine hoeveelheden ingrediënten te mengen, zoals vlees, ui, noten, mayonaise, groente, puree, sauzen en babyvoeding.

- Ⓐ minimes
- Ⓑ minikom

de minikom met mes gebruiken

- 1 Plaats de kom op het motorblok en bevestig de verwijderbare aandrijfas.
- 2 Zet de minikom over de verwijderbare aandrijfas – zorg dat de uitsnijdingen zijn uitgelijnd met de lipjes 14 op de hoofdkom.
- NB:** Het deksel van de hoofdkom past niet als de minikom niet goed is geplaatst.
- 3 Plaats het mes over de aandrijfas 15.
- 4 Voeg de ingrediënten toe die verwerkt moeten worden.
- 5 Plaats het deksel op de kom en zet de machine aan.

veiligheid

- Verwijder het deksel nooit voordat het mes helemaal tot stilstand is gekomen.
- Het mes is erg scherp – ga er altijd voorzichtig mee om.

belangrijk

- Verwerk geen specerijen in de keukenmachine – ze kunnen de kunststof onderdelen beschadigen.
- Verwerk geen harde ingrediënten, zoals koffiebonen, ijsklontjes of chocolade – ze kunnen het meselement beschadigen.

tips

- Kruiden worden het beste verwerkt wanneer ze schoon en droog zijn.
- Voeg altijd een klein beetje vloeistof toe wanneer u gekookte ingrediënten tot babyvoeding verwerkt.
- Snij etenswaren zoals vlees, brood, groente in blokjes van 1-2 cm, voordat u ze verwerkt.
- Wanneer u mayonaise maakt, giet u de olie door de toevoerbuis.

27 hak-/molenhulpstuk (indien geleverd)

Gebruik het hak-/molenhulpstuk voor het verwerken van droge ingrediënten zoals noten of koffiebonen en voor het malen van specerijen zoals:-

Zwarte peperkorrels, kardamomzaadjes, komijnzaadjes, korianderzaadjes, venkelzaadjes, verse gember, teentjes knoflook en verse Spaanse pepers.

- Ⓐ molenbakje
- Ⓑ mesmontage hak-/molenhulpstuk

uw hak-/molenhulpstuk gebruiken

- 1 Doe uw ingrediënten in de mesmontage 16.
- 2 Breng het bakje Ⓐ aan en draai met de klok mee om het vast te zetten 16.
- 3 Zet het molenbakje op het motorblok en draai met de klok mee om het vast te zetten 17.
- 4 Selecteer een snelheid of gebruik de pulseerknop (P).

veiligheid

- Breng de messeneenheid nooit op uw food processor aan zonder het bakje te hebben aangebracht.
- Schroef het bakje nooit los terwijl het hak-/molenhulpstuk op uw apparaat is aangebracht.
- Raak de scherpe messen niet aan – Houd de messeneenheid uit de buurt van kinderen.
- Verwijder het hak-/molenhulpstuk nooit voordat de messen volledig tot stilstand zijn gekomen.
- Om ervoor te zorgen dat uw hak- en molenhulpstuk lang mee blijft gaan, mag het niet langer dan 60 seconden achtereen draaien. Schakel uit zodra u de juiste consistentie heeft verkregen.
- Het apparaat werkt niet indien het hak-/molenhulpstuk onjuist is aangebracht.
- Verwerk geen geelwortel (kurkuma) in het hak-/molenhulpstuk, aangezien die te hard is en de messen kan beschadigen.

tips

- Voor optimale prestaties bij het verwerken van specerijen bevelen we aan dat u niet meer dan 50 g tegelijk in het hak-/molenhulpstuk verwerkt.
- Ongemalen specerijen behouden hun smaak veel langer dan gemalen specerijen, dus u kunt het beste een kleine hoeveelheid vers malen om de smaak te behouden.
- Ongemalen specerijen kunnen het beste worden geroosterd voordat ze worden gemalen, omdat hierdoor een maximum aan smaak en essentiële oliën vrijkomt.
- Snij gember in kleine stukken voordat u het verwerkt.
- Bij het fijnhakken van kruiden wordt voor de beste resultaten aanbevolen de minikom te gebruiken.

28 citrusfruitpers (indien geleverd)

Gebruik de citrusfruitpers om het sap uit citrusvruchten te persen (bijv. sinaasappels, citroenen, limoenen en grapefruits).

- (a) perskegel
- (b) zeef

de citrusfruitpers gebruiken

- 1 Plaats de kom op het motorblok en bevestig de verwijderbare aandrijfjas.
 - 2 Plaats de zeef in de kom. Zorg ervoor dat de hendel van de zeef vlak boven de hendel van de kom vergrendeld is 19.
 - 3 Plaats de kegel over de aandrijfjas. Draai de kegel totdat hij helemaal naar beneden valt 19.
 - 4 Snijd het fruit door midden. Zet de machine aan en druk het fruit op de kegel.
- **De citrusfruitpers functioneert niet als de zeef niet juist is vergrendeld.**
 - Voor het beste resultaat gebruikt u vruchten op kamertemperatuur en rolt u ze met de hand over een werktafel, voordat u ze gaat persen.
 - Om zoveel mogelijk sap uit het fruit te halen kunt u de vrucht heen en weer bewegen.
 - Als u erg veel vruchten perst, dient u de zeef regelmatig te legen om ervoor te zorgen dat er niet teveel vruchtvlees en pitjes in vast blijven zitten.

29 sapcentrifuge (indien geleverd)

Gebruik de sapcentrifuge om sap uit stevige vruchten en groenten te persen.

veiligheid

• De sapcentrifuge niet gebruiken als het filter beschadigd is.

- Gebruik alleen de meegeleverde stamper. Steek uw vingers nooit in de toevoerbuus. Haal de stekker uit het stopcontact voordat u de vulopening deblokkeert.
- Voordat u het deksel verwijdert, schakelt u de machine uit en wacht u totdat het filter is gestopt.
- Gebruik nooit een beschadigd hulpstuk.

- (a) stamper
- (b) deksel
- (c) vruchtvleesverwijderaar
- (d) filtertrommel

de sapcentrifuge gebruiken

- 1 Breng de kom op het motorblok aan 20.
 - 2 Plaats de vruchtvleesverwijderaar in de filtertrommel. Zorg ervoor dat de lipjes in de gleuven onder in de trommel passen 21.
 - 3 Monteer de filtertrommel 22.
 - 4 Zet het deksel van het hulpstuk op de kom; draai het deksel tot het vergrendeld is en de vulopening zich boven het handvat bevindt 23. **Uw sapcentrifuge werkt niet als de kom of het deksel niet juist op het vergrendelingsmechanisme zijn bevestigd.**
 - 5 Snijd de etenswaren in stukjes die in de vulopening passen.
 - 6 Schakel in en duw met het duwhulpstuk gelijkmatig naar beneden – **doe uw vingers nooit in de invoerkoker.** Geheel verwerken alvorens meer toe te voegen.
- Nadat u het laatste stuk heeft toegevoegd, laat u de sapcentrifuge nog 30 seconden draaien om al het sap uit het filtertrommel te extraheren.

belangrijk

- Als de sapcentrifuge begint te trillen, schakelt u hem uit en verwijdert de pulp van het filter. (De sapcentrifuge gaat trillen als de pulp ongelijkmatig verdeeld is).
- De maximale hoeveelheid fruit of groente die in één keer kan worden verwerkt, is 800 g (zie snelheidtabel).
- Sommige erg harde ingrediënten kunnen uw sapcentrifuge vertragen of stoppen. Als dat gebeurt, schakelt u het apparaat uit en reinigt het filter.
- Zet de machine uit en leeg de vruchtvleesverzamelaar regelmatig tijdens het gebruik.

tips

- Voordat u de machine aan zet, verwijdert u alle pitten (bijv. uit paprika, meloen, pruimen) en alle harde schillen (bijv. meloen, ananas). U hoeft appels en peren niet te schillen. Ook hoeft u het klokhuis niet te verwijderen.
- Gebruik stevige, verse groente en fruit.
- Voor een optimale sapopbrengst doet u kleine hoeveelheden in de vulopening en duwt u langzaam naar beneden.
- Citrusvruchten – schil de vruchten en verwijder de witte vliezen, anders smaakt het sap bitter. Voor het beste resultaat gebruikt u de citrusfruitpers.

30 opbergcontainer voor hulpstukken (indien geleverd)

Uw food processor wordt geleverd met een opslagdoos voor uw schijven.

- 1 Doe de schijven in de opslagdoos wanneer ze niet in gebruik zijn 24.
- 2 De opslagdoos is uitgerust met een veiligheidsslot – doe het deksel dicht om de doos te vergrendelen. Til het deksel op om hem te openen 25.

onderhoud en reiniging

- Zet het apparaat altijd uit en trek de stekker uit het stopcontact voordat u het gaat schoonmaken.
- **Messen en snijschijven zijn zeer scherp - ga er voorzichtig mee om.**
- Het plastic kan verkleuren door sommige voedselproducten. Dit is normaal, levert geen schade op aan het plastic en beïnvloedt de smaak van uw voedsel niet. U kunt deze verkleuringen verwijderen met een doek die licht bevochtigd is met plantaardige olie.

motorhuis

- Veeg af met een vochtige doek, en droog dan af. Controleer of het veiligheidsmechanisme vrij is van voedselresten.
- Dompel het motorblok niet in water onder.
- Berg extra snoer in het bewaarcompartiment aan de achterkant van het motorblok 26.

blender

- 1 Maak de beker leeg, schroef het meselement los door het naar de onvergrendelde stand 27 te draaien. Verwijder dan de messeneenheid door van onderen af omhoog te duwen.
- Wees extra voorzichtig wanneer u de messeneenheid van het voetstuk afhaalt.
- 2 Was de beker met de hand.
- 3 Verwijder en was de afdichting.
- 4 Raak de scherpe messen niet aan - borstel ze schoon met een warm sopje, spoel ze vervolgens grondig af onder de kraan. **Dompel de messeneenheid niet onder in water.**
- 5 Laat ondersteboven drogen.

dubbele garde

- Neem de kloppers uit de aandrijfkop door ze er voorzichtig uit te trekken. In warm zeepsop afwassen.
- Veeg de aandrijfkop af met een vochtige doek, en droog hem af. **Dompel de aandrijfkop niet onder in water.**

hak-/molenhulpstuk

- Haal de mesmontage uit het bakje door tegen de klok in te draaien.
- Was het bakje met de hand.
- Raak de scherpe messen niet aan – borstel ze schoon met warm water en zeep, en spoel ze dan grondig onder de kraan af. **Dompel de meseenheid niet in water onder.**
- Laat ondersteboven drogen.

vouwhulpstuk

- Neem de klopper uit de aandrijfkop door op de ontgrendelingsknop te drukken 28. In warm zeepsop afwassen.
- Veeg de aandrijfkop af met een vochtige doek, en droog hem af. **Dompel de aandrijfkop niet onder in water.**

filtertrommel

- De snijschijven aan de onderkant van de filtertrommel zijn zeer scherp, dus wees voorzichtig bij het hanteren en schoonmaken van de trommel.

alle andere onderdelen

- Met de hand afwassen, en dan afdrogen.
- U kunt deze artikelen ook op het bovenste rek van uw afwasmachine wassen. Plaats ze niet op het onderste rek net boven het verwarmingselement. Het wordt aanbevolen een programma met een lage temperatuur (maximaal 50 °C) te gebruiken.

Item	Item geschikt voor afwasmachine
hoofdkom, minikom, deksel, duwer	✓
meslemmet, deeghulpstuk	✓
verwijderbare aandrijfas	✓
schijven	✓
schijf voor maximale capaciteit	✓
garde kloppers/vouwhulpstuk roerblad Dompel de aandrijfkop nooit onder in water	✓
blenderbeker, deksel, vuldop	✓
messeneenheid en afsluitring voor blender	✗
sapcentrifuge	✓
mesmontage hak-/molenhulpstuk	✗
bakje hak-/molenhulpstuk	✓
spatel	✓

onderhoud en klantenservice

- Als het snoer beschadigd is, moet het om veiligheidsredenen door KENWOOD of een door KENWOOD geautoriseerd reparatiebedrijf vervangen worden.
- **Als u problemen ondervindt met deze keukenmachine, wordt aangeraden eerst het hoofdstuk Problemen oplossen te lezen, voordat u hulp inroept.**
 - Als u hulp nodig hebt met:
 - het gebruik van uw apparaat of
 - onderhoud en reparatie
 - kunt u contact opnemen met de winkel waar u het apparaat gekocht hebt.
 - Ontworpen en ontwikkeld door Kenwood in het VK.
 - Vervaardigd in China.



**BELANGRIJKE INFORMATIE VOOR DE CORRECTE
VERWERKING VAN HET PRODUCT IN
OVEREENSTEMMING MET DE EUROPESE
RICHTLIJN 2002/96/EC**

Aan het einde van de levensduur van het product mag het niet samen met het gewone huishoudelijke afval worden verwerkt. Het moet naar een speciaal centrum voor gescheiden afvalinzameling van de gemeente worden gebracht, of naar een verkooppunt dat deze service verschaft. Het apart verwerken van een huishoudelijk apparaat voorkomt mogelijke gevolgen voor het milieu en de gezondheid die door een ongeschikte verwerking ontstaan en zorgt ervoor dat de materialen waaruit het apparaat bestaat, teruggewonnen kunnen worden om een aanmerkelijke besparing van energie en grondstoffen te verkrijgen. Om op de verplichting tot gescheiden verwerking van elektrische huishoudelijke apparatuur te wijzen, is op het product het symbool van een doorgekruiste vuilnisbak aangebracht.

Problemen oplossen

Probleem	Oorzaak	Oplossing
De machine werkt niet.	Geen stroom. Geen stroomtoevoer/indicatielampje. gaat niet branden. De kom is niet juist op het motorblok geplaatst. Het deksel van de kom is niet juist vergrendeld.	Controleer of de stekker in het stopcontact zit. Controleer of de kom juist geplaatst is en het handvat naar rechts wijst. Controleer of de dekselvergrendeling juist in het handvatgebied geplaatst is. De keukenmachine werkt niet als de kom en deksel onjuist geplaatst zijn.
Compact hak/molenhulpstuk functioneert niet.	Compact hak/molenhulpstuk niet goed vergrendeld. Compact hak/molenhulpstuk niet goed geassembleerd.	Het compacte hak/molenhulpstuk werkt niet goed als hij niet juist aan de vergrendeling is bevestigd. Controleer of de messeneenheid geheel is vastgedraaid op de beker van het compacte hak/molenhulpstuk.
Blender functioneert niet.	Blender niet juist vergrendeld. De blender is niet goed gemonteerd.	De blender werkt niet als hij niet juist aan de vergrendeling is bevestigd. Controleer of het meselement goed in de beker maatglas vast zit.
Keukenmachine stopt of gaat langzamer werken tijdens de verwerking.	Beveiliging tegen overbelasting. Keukenmachine overbelast of oververhit tijdens de werking. Maximum capaciteit overschreden.	Schakel het apparaat uit, haal de stekker uit het stopcontact en laat het apparaat ongeveer 15 minuten afkoelen. Raadpleeg de snelheidstabel voor de maximale hoeveelheden die kunnen worden verwerkt.
De blender lekt via de basis van de messeneenheid.	De afdichtring ontbreekt. De afdichtring is onjuist geplaatst. De afdichtring is beschadigd.	Controleer of de afdichtring goed geplaatst en onbeschadigd is. Voor een vervangende afdichtring raadpleegt u de paragraaf Onderhoud en klantenservice.
Afsluitring van blender ontbreekt na verwijdering uit de verpakking.	De afsluitring zit op de messeneenheid in de verpakking.	Schroef de beker los en controleer of de afsluitring op de messeneenheid zit. Voor een vervangende afdichtring raadpleegt u de paragraaf Onderhoud en klantenservice.
Slecht resultaat met apparaten en hulpstukken.	Lees de tips in de paragraaf Gebruik van uw hulpstuk. Controleer of de hulpstukken goed zijn gemonteerd.	

Français

Veillez déplier les illustrations de la première page

sécurité

- Lisez et conservez soigneusement ces instructions pour pouvoir vous y référer ultérieurement.
- Retirez tous les éléments d'emballage et les étiquettes.
- Les lames et les disques sont très tranchants, manipulez-les avec précaution. **Tenez-les toujours par la partie supérieure prévue à cet effet, à distance du bord tranchant, à la fois lors de l'utilisation et du nettoyage.**
- Veillez à ne pas soulever ou transporter le robot par la poignée – celle-ci pourrait se briser et provoquer des blessures.
- Veillez toujours à retirer la lame avant de verser le contenu du bol.
- Conservez les mains et tout ustensile hors du bol du robot et du bol du blender lorsque l'appareil est branché sur l'alimentation électrique.
- Éteignez et débranchez l'appareil :-
 - avant d'adapter ou de retirer des éléments;
 - lorsqu'il n'est pas utilisé ;
 - avant le nettoyage.
- N'utilisez jamais vos doigts pour pousser la nourriture dans le tube d'alimentation. Utilisez toujours le poussoir fourni.
- **Ne fixez jamais l'unité porte-lames au bloc d'alimentation sans que le bol du blender ou le hachoir/moulin compact ne soit au préalable installé.**
- Avant de retirer le couvercle du bol, du blender ou du hachoir/moulin compact du bloc d'alimentation :-
 - éteignez l'appareil;
 - assurez-vous que les accessoires / lames sont complètement arrêtés;
 - veillez à ne pas dévisser le bol du blender ou du hachoir/moulin compact de l'unité porte-lames.
- **RISQUE DE BRÛLURE** : laissez les ingrédients chauds refroidir à température ambiante avant de les mixer.
- Ne vous servez pas du couvercle pour arrêter ou allumer le robot ; utilisez toujours le sélecteur de vitesse Marche / Arrêt.
- **Cette machine sera endommagée et pourra provoquer des blessures si le mécanisme de verrouillage est soumis à une force excessive.**
- **Débranchez toujours votre robot alimentaire lorsque vous ne l'utilisez pas.**
- N'utilisez jamais un accessoire non autorisé.
- Ne laissez jamais l'appareil sans surveillance lorsqu'il fonctionne.
- N'utilisez jamais un appareil endommagé. Faites-le vérifier ou réparer : voir « service après-vente ».

- Ne mouillez jamais le bloc d'alimentation, le cordon d'alimentation ou la prise.
- Ne laissez pas le cordon d'alimentation dépasser du bord d'une table, du plan de travail ou être en contact avec des surfaces chaudes.
- Ne dépassez pas les capacités maximales indiquées dans le tableau des vitesses recommandées.
- Cet appareil n'est pas destiné à être utilisé par des enfants. Conservez l'appareil et son cordon hors de portée des enfants.
- Les enfants doivent être surveillés afin qu'ils ne puissent pas jouer avec cet appareil.
- Les appareils peuvent être utilisés par des personnes dont les capacités physiques, sensorielles ou mentales sont diminuées, ou qui ne disposent pas des connaissances ou de l'expérience nécessaires, si elles ont été formées et encadrées pour l'utilisation des appareils, et si elles ont conscience des risques encourus.
- N'employez l'appareil qu'à la fin domestique prévue. Kenwood décline toute responsabilité dans les cas où l'appareil est utilisé incorrectement ou que les présentes instructions ne sont pas respectées.
- Une mauvaise utilisation de votre robot / blender peut provoquer des blessures.
- Le chiffre maximum est basé sur l'accessoire qui utilise la plus grande charge d'énergie. D'autres accessoires peuvent demander moins d'énergie.

Référez-vous à la section pertinente du chapitre « utilisation des accessoires » pour consulter d'autres avertissements relatifs à la sécurité de chaque accessoire.

sécurité du blender

- **RISQUE DE BRÛLURE** : laissez les ingrédients chauds refroidir à température ambiante avant de les mixer.
- Prenez toujours des précautions lorsque vous manipulez l'ensemble porte-lames et évitez de toucher le bord tranchant des lames lors du nettoyage.
- Utilisez toujours le blender avec son couvercle.
- N'utilisez le bol qu'avec l'ensemble porte-lames fourni.
- Ne faites jamais fonctionner le blender lorsqu'il est vide.
- Afin de prolonger la durée de vie de votre blender, ne le faites jamais fonctionner pendant plus de 60 secondes.
- Recettes pour smoothies – ne mixez jamais d'ingrédients surgelés qui ont formé une masse solide pendant la congélation. Brisez les ingrédients avant de les placer dans le bol.
- Ne mixez jamais plus que la quantité maximale, fixée à 1,5 litres.

sécurité du disque à râper / à découper

- **Ne retirez jamais le couvercle tant que les disques de coupe ne sont pas complètement arrêtés.**
- **Manipulez les disques de coupe avec précaution - ils sont extrêmement tranchants.**
- **Ne remplissez pas à ras-bord le bol – ne dépassez pas le repère de capacité maximale indiqué sur le bol.**

sécurité concernant le mini bol et le couteau

- Ne retirez jamais le couvercle tant que la lame couteau n'est pas totalement à l'arrêt.
- La lame couteau est très coupante - manipulez-la avec soin.

sécurité du mini hachoir / moulin

- N'installez jamais l'unité porte-lames sur votre appareil sans avoir installé le bocal.
- Ne dévissez jamais le bol tant que le hachoir/moulin compact est installé sur votre appareil
- Ne touchez pas les lames tranchantes. Conservez l'unité porte-lames hors de portée des enfants.
- Ne retirez jamais le hachoir/moulin compact tant que les lames ne sont pas totalement à l'arrêt.
- Afin de prolonger la durée de vie de votre hachoir/moulin compact, ne le faites jamais fonctionner en continu pendant plus de 60 secondes. Éteignez-le dès que vous vous avez obtenu la consistance souhaitée.
- L'appareil ne fonctionnera pas si le hachoir/moulin compact n'est pas correctement installé.
- N'insérez pas de tubercules dans le hachoir/moulin compact car ces aliments sont trop durs et risqueraient d'endommager les lames.

sécurité de l'extracteur de jus

- **N'utilisez pas la centrifugeuse si le filtre est endommagé.**
- Utilisez uniquement le poussoir fourni avec l'appareil. N'introduisez jamais vos doigts dans le tube d'alimentation. Débranchez avant de retirer tout élément obstruant le tube d'alimentation.
- Avant de retirer le couvercle, éteignez l'appareil et attendez l'immobilisation du filtre.
- N'utilisez jamais un accessoire endommagé.

avant de brancher

- Assurez-vous que votre alimentation électrique correspond à celle qui est indiquée sur la partie inférieure de votre appareil.
- Cet appareil est conforme à la directive 2004/108/CE de la CE sur la compatibilité électromagnétique, et au règlement 1935/2004 de la CE du 27/10/2004 sur les matériaux destinés au contact alimentaire.

avant la première utilisation

- 1 Retirez le cache lame de la lame couteau. **Attention, les lames sont très tranchantes.** Ce cache doit être jeté, il est uniquement destiné à protéger la lame durant le processus de fabrication et de transport.
- 2 Nettoyez les éléments, voir « entretien et nettoyage ».

légende

robot

- ① bloc moteur
- ② bol avec axe d'entraînement
- ③ axe d'entraînement amovible
- ④ couvercle
- ⑤ tube d'alimentation
- ⑥ poussoirs
- ⑦ dispositifs de verrouillage de sécurité
- ⑧ sélecteur de vitesse / touche pulse
- ⑨ témoin de fonctionnement
- ⑩ range-cordon (à l'arrière)

blender

- ⑪ bouchon
- ⑫ couvercle
- ⑬ bol
- ⑭ joint d'étanchéité
- ⑮ unité porte-lames
- ⑯ base

A – accessoires standard

- ⑰ lame couteau
- ⑱ pétrin
- ⑲ disque à capacité maximale
- ⑳ disque à émincer / à râper de 2 mm

B - accessoires en option

Il se peut que tous les accessoires mentionnés ci-dessous ne soient pas inclus avec votre modèle de robot. Les accessoires varient en fonction des modèles de robot. Pour plus d'informations ou pour commander des accessoires supplémentaires, reportez-vous à la section " service après-vente "

- ㉑ double fouet (si fourni)
- ㉒ disque à émincer / à râper de 4 mm (si fourni)
- ㉓ disque à râper extra fin (si fourni)
- ㉔ disque à faire des frites (si fourni)
- ㉕ accessoire mélange délicat (si fourni)
- ㉖ mini bol et lame (si fourni)
- ㉗ moulin à moudre (si fourni)
- ㉘ presse-agrumes (si fourni)
- ㉙ centrifugeuse (si fourni)
- ㉚ boîte de rangement des accessoires (si fourni)

utilisation du robot

- 1 Installez le bol sur le bloc d'alimentation. Positionnez les poignées vers le côté droit et tournez vers l'avant ① jusqu'à ce qu'il soit en place.
- 2 Installez l'accessoire sur l'axe d'entraînement du bol.
Remarque : l'axe d'entraînement détachable ② doit être monté lorsque vous utilisez les disques, le mini bol, le fouet, l'accessoire mélange délicat ou le presse-agrumes.
 - Installez toujours le bol et l'accessoire sur le robot avant d'ajouter des ingrédients.
- 3 Installez le couvercle en veillant à ce que le l'axe d'entraînement / l'outil soit positionné au centre au couvercle ③.
 - **Le robot ne fonctionnera pas si le bol ou le couvercle ne sont pas verrouillés correctement. Vérifiez que le tube d'alimentation et que la poignée du bol sont bien situés à droite.**
- 4 Branchez. Le témoin d'allumage s'enclenche. Sélectionnez l'une des options suivantes : -
Contrôle de la vitesse – sélectionnez manuellement la vitesse requise (Référez-vous au tableau des vitesses recommandées).
Touche Pulse - Utilisez la touche pulse (P) pour de petites impulsions. La fonction pulse fonctionne tant que la touche est maintenue en position.
- 5 À la fin de l'opération, tournez le sélecteur de vitesses sur la position ' OFF ' / ARRÊT. (Alignez le sélecteur de vitesses sur le témoin lumineux d'allumage ⑨).
 - **Éteignez toujours l'appareil et débranchez-le avant de retirer le couvercle.**
important
 - Votre robot n'est pas conçu pour concasser ou moudre des grains de café ou transformer du sucre cristallisé en sucre en poudre.

pour utiliser votre blender

- 1 Insérez le joint d'étanchéité ⑭ sur l'unité porte-lames ⑮ - veillez à ce que le joint soit correctement inséré. **Des fuites se produiront si le joint est endommagé ou s'il n'est pas correctement installé.**
- 2 Clipsez l'unité porte-lames ⑮ sur le socle ⑯.
- 3 Vissez le bloc porte-lames sur le gobelet - en veillant à ce que le bloc porte-lames soit complètement serré ④.
Reportez-vous aux schémas indiqués sous le socle, comme suit :

 - position déverrouillée

 - position verrouillée

Le blender ne fonctionnera pas s'il n'est pas correctement assemblé.

- 4 Mettez vos ingrédients dans le bol.
 - 5 Installez le bouchon de remplissage sur le couvercle, puis disposez le couvercle sur le gobelet et tournez dans le sens des aiguilles d'une montre pour ⑤ le verrouiller.
 - 6 Installez le blender sur le bloc moteur et tournez-le dans le sens des aiguilles d'une montre pour le verrouiller ⑥.
- **L'appareil ne fonctionnera pas si le blender n'est pas correctement verrouillé.**
- 7 Sélectionnez une vitesse (reportez-vous aux tableaux des vitesses recommandées) ou utilisez la commande pulse.

conseils

- Lorsque vous préparez de la mayonnaise, placez tous les ingrédients à l'exception de l'huile dans le blender. Retirez le bouchon de remplissage. Puis, alors que l'appareil fonctionne, ajoutez l'huile doucement par l'orifice du couvercle.
- Les mélanges épais, comme les pâtes et les sauces, peuvent nécessiter de racler les parois de l'appareil. En cas de difficulté à mixer, ajoutez davantage de liquide.
- Pour piler de la glace, utilisez la touche pulse.
- L'utilisation de l'appareil pour mixer des épices n'est pas recommandée. En effet, celles-ci pourraient endommager les pièces en plastique.
- L'appareil ne fonctionne pas si le blender n'est pas correctement installé.
- Pour mélanger des ingrédients secs – coupez-les en morceaux, retirez le bouchon de remplissage, puis, l'appareil étant en marche, laissez-les tomber un par un. Laissez une main au-dessus de l'ouverture. Pour de meilleurs résultats, videz régulièrement.
- N'utilisez pas le blender à des fins de stockage. Il doit rester vide avant et après utilisation.
- Ne mélangez pas plus de 1,5 litres - moins encore pour les liquides mousseux comme les milkshakes.

tableau des vitesses recommandées

Outil/accessoire	fonction	vitesse recommandée	durée de foncti. *	Capacité maximale
Lame tranchante	Mélanges tout en un pour gâteaux	Maximum	15 à 20 s	1,5Kg farine
	Pâte – mélange de la matière grasse avec la farine	Moyenne – Maximum	10 s	340g farine
	Ajout d'eau au mélange ingrédients de pâte		10 à 20 s	
	Pour hacher du poisson et de la viande maigre	Maximum	10 à 30 s	600g boeuf maigre max.
	Pâtés et terrines			
	Pour couper des légumes	Pulse	5 à 10 s	500g
	Pour hacher des noix	Maximum	30 à 60 s	200g
Lame couteau avec disque à capacité maximale	Pour transformer en purée des fruits tendres, des fruits cuits et des légumes	Maximum	10 à 30 s	1Kg
	Sauces, assaisonnements et mousses	Maximum	2 min max	800g
	Soupes froides	Commencez à petite vitesse et	30 à 60 s	1,5 litres
	Milkshakes / pâtes à frire	augmentez jusqu'à la vitesse maximale	15 à 30 s	1 litres
Double fouet	Blancs d'œufs	Maximum	60 à 90 s	6 (200g)
	Œuf et sucre pour gâteaux de Savoie sans matière grasse	Maximum	4 à 5 min	3 (150g)
	Crème	Maximum	30 s	500 ml
	Pour monter en crème sucre et beurre (ou autre corps gras)	Maximum	2 min max	200g beurre 200g sucre
Pétrin	Mélange à base de levure	Maximum	60 s	1Kg poids total
	Farine pour pain blanc	Maximum	60 s	600g farine
	Farine pour pain complet	Maximum	60 s	500g farine
Accessoire mélange délicat	Pour fouetter de la crème et des purées de fruit	Minimum - Faible	60 s	300g crème, 300g purée
	Pour monter des blancs en neige	Minimum - Faible	60 s	600g poids total
	Macarons	Minimum - Faible	60 s	500g poids total
Disques - éminceur / râpe	Aliments durs – carottes, fromages à pâtes dures	Moyenne – Maximum	–	Ne dépassez pas la capacité maximale indiquée sur le bol.
	Aliments plus mous – concombres, tomates	Min.- Moyenne	–	
Râpe extra fine	Parmesan, pommes de terre pour la préparation de boulettes	Maximum	–	
Disque à faire des frites	Coupe les pommes de terre pour faire des frites fines, ainsi que les ingrédients pour une cuisson à la cocotte, ou pour les bâtonnets à tremper dans une sauce (concombre, pomme, poire).	Maximum	–	
Blender	Liquides et boissons froids	Maximum	15 à 30 s	
	Soupes sans laitage	Maximum	30 s	1,2 litres
	Soupes à base de lait	Maximum	30 s	1 litres
	RISQUE DE BRÛLURE : laissez les ingrédients chauds refroidir à température ambiante avant de les mixer.			
Mini bol et couteau	Viande	Maximum	20 s + Pulse	200g bœuf maigre
	Pour hacher des herbes aromatiques	Maximum	30 s	15g
	Pour concasser des noix	Maximum	30 s	50g
	Mayonnaise	Maximum	30 s	2 oeufs 300g d'huile
	Purées	Maximum	30 s	200g
Presse-agrumes	Des articles plus petits, par ex. citrons et limes Les fruits plus imposants, par ex. oranges et pamplemousses	Minimum - Faible	–	1Kg
Centrifugeuse	Extraire le jus de fruits fermes et de légumes. Par ex pommes et carottes	Maximum	–	800g pommes 600g carottes
	Extraire le jus de fruits mous, par ex raisins et tomates	Maximum	–	500g

tableau des vitesses recommandées

Outil/accessoire	fonction	vitesse recommandée	durée de foncti. *	Capacité maximale
Moulin à moudre	Moudre tout une variété d'épices	Maximum	30 à 60 s	50 g
	Moudre des grains de café	Maximum	30 s	
	Moudre des noix	Pulse	10 s	50 g
	Hacher des gousses d'ail, des piments frais et du gingembre frais	Pulse	10 s	30 g

* Ces informations sont fournies à titre indicatif seulement et tout dépend de la recette appliquée et des ingrédients utilisés en cours de traitement.

utilisation des accessoires

Référez-vous au tableau des vitesses pour chaque accessoire.

17 lame couteau

La lame couteau est l'accessoire le plus polyvalent de tous. La texture que vous obtenez est déterminée par la durée de mixage.

Pour les textures plus granuleuses, utilisez le mode de fonctionnement par impulsion (pulse).

Utilisez la lame couteau pour la préparation de gâteaux et de pâtes à tarte, pour hacher la viande fraîche et cuite, les légumes, les noisettes, les pâtes, les pâtes à tartiner salées, pour mixer les potages et aussi réduire les biscuits et le pain en miettes.

conseils

- Coupez les aliments, tels que la viande, le pain et les légumes en cubes de 2 cm avant la préparation.
- Les biscuits doivent être coupés en morceaux et introduits dans le tube d'alimentation pendant que le moteur est en marche.
- Pour la préparation de pâtes à tarte, utilisez la matière grasse sortie directement du réfrigérateur et coupez-la en cubes de 2 cm.
- Prenez garde à ne pas mélanger trop longtemps.

18 pétrin

Utilisez pour les mélanges de pâtes à levain.

- Disposez les ingrédients secs dans le bol et versez le liquide dans le tube d'alimentation pendant que le moteur est en marche. Mélangez jusqu'à ce que le tout forme une boule de pâte, et soit lisse d'apparence et élastique au touché (cela prend 60 secondes).
- Pétrissez la pâte à la main uniquement. Il est déconseillé de pétrir dans le bol car cela peut entraîner une certaine instabilité du robot.

19 disque à capacité maximale

Lorsque vous mélangez des liquides dans le bol, vous devez utiliser le disque à capacité maximale avec la lame couteau. Cela évite les fuites et améliore la performance de coupe de la lame.

- 1 Installez le bol sur le bloc d'alimentation.
 - 2 Fixez la lame couteau.
 - 3 Ajoutez les ingrédients à mélanger.
 - 4 Installez le disque à capacité par dessus la lame en veillant à ce qu'il repose sur le rebord à l'intérieur du bol 10.
- N'appuyez pas sur le disque à capacité.**
- 5 Adaptez le couvercle et allumez l'appareil.

21 double fouet (si fourni)

Utilisez pour des mélanges légers tels que les blancs d'œuf, de la crème, du lait évaporé et pour fouetter du sucre et des œufs pour des préparations légères.

utilisation du fouet

- 1 Fixez le bol sur le bloc d'alimentation, ajoutez l'axe d'entraînement détachable.
- 2 Enfoncez chaque batteur 7 fermement à l'intérieur de la tête de l'axe.
- 3 Mettez le fouet en place en le faisant délicatement tourner jusqu'à ce qu'il s'enclenche sur l'axe d'entraînement.
- 4 Ajoutez les ingrédients
- 5 Mettez le couvercle - assurez-vous que l'extrémité de l'axe d'entraînement est correctement positionnée au centre du couvercle.
- 6 Allumez l'appareil.

● Le fouet ne convient pour travailler des mélanges tout en un pour gâteaux car ces mélanges sont trop épais et pourraient endommager l'appareil. Utilisez toujours la lame couteau.

conseils

- Pour de meilleurs résultats, utilisez des œufs à température ambiante.
 - Assurez-vous que le bol et les fouets sont propres et exempts de graisse avant de battre la préparation.
- Monter en crème du sucre et beurre (ou autre corps gras)**
- Pour de meilleurs résultats, laissez le beurre se ramollir au préalable à température ambiante (20° C) avant de le monter en crème. **N'UTILISEZ PAS du beurre sorti directement du réfrigérateur car cela pourrait endommager le fouet.**

- Les ingrédients plus épais tels que la farine et les fruits secs doivent être incorporés à la main.
- Ne dépassez pas la capacité maximale ni le temps de fonctionnement stipulés dans le tableau des vitesses recommandées.

disques râpe / éminceur

disques râpe / éminceur réversibles - 2mm ⑳, 4mm ㉓

Utilisez le disque râpe pour les fromages, carottes, pommes de terre et aliments de texture similaire.

Utilisez le disque éminceur pour les fromages, carottes, pommes de terre, choux, concombres, courgettes, betterave et oignons.

disque à râper extra fin ㉔ (si fourni)

Ce disque râpe le Parmesan et les pommes de terre pour la préparation de boulettes.

disque à faire des frites ㉕ (si fourni)

Coupe les pommes de terre pour faire des frites fines, ainsi que les ingrédients pour une cuisson à la cocotte, ou pour les bâtonnets à tremper dans une sauce (concombre, pomme, poire).

sécurité

- **Ne retirez jamais le couvercle tant que les disques de coupe ne sont pas complètement arrêtés.**
- **Manipulez les disques de coupe avec précaution - ils sont extrêmement tranchants.**
- **Ne remplissez pas à ras-bord le bol – ne dépassez pas le repère de capacité maximale indiqué sur le bol.**

pour utiliser les disques de coupe

- 1 Fixez le bol sur le bloc d'alimentation, ajoutez l'axe d'entraînement détachable.
- 2 Tout en le maintenant par sa poignée centrale, placez le disque sur l'axe d'entraînement, face appropriée vers le haut ⑩.
- 3 Fixez le couvercle.
- 4 Introduisez les aliments dans le tube.
Choisissez le tube d'alimentation que vous souhaitez utiliser. Le poussoir comprend un tube d'alimentation plus petit pour les ingrédients individuels ou plus fins.
Pour utiliser le petit tube d'alimentation – introduisez tout d'abord le grand poussoir dans le tube d'alimentation.
Pour utiliser le grand tube – utilisez les deux poussoirs ensemble.
- 5 Allumez l'appareil et exercez à l'aide du poussoir une pression régulière - **n'insérez jamais vos doigts dans le tube d'alimentation.**

conseils

- Utilisez des ingrédients frais.
- Ne coupez pas les ingrédients en trop petits morceaux. Remplissez presque totalement la largeur du tube de remplissage. Cela empêche les ingrédients de glisser sur les côtés pendant le fonctionnement de l'appareil. Utilisez autrement le petit tube d'alimentation.

- Lorsque vous utilisez le disque à faire des frites, veuillez disposer les ingrédients à l'horizontal.
- Lorsque vous émincez ou vous râpez : les aliments placés verticalement ㉒ ressortent plus courts que ceux placés horizontalement ㉓.
- Il reste toujours une petite quantité d'aliments sur le disque ou dans le bol après l'utilisation de l'appareil.

㉖ accessoire mélange délicat (si fourni)

Utilisez l'accessoire mélange délicat pour insérer les ingrédients légers dans les mélanges plus épais pour faire par exemple des meringues, des mousses et des mousses de fruits.

- 1 Fixez le bol sur le bloc d'alimentation, ajoutez l'axe d'entraînement détachable.
- 2 Assemblez les deux parties de l'accessoire mélange délicat ㉖.
- 3 Installez l'accessoire mélange délicat en le tournant délicatement jusqu'à ce qu'il soit juste au-dessus de l'axe d'entraînement.
- 4 Ajoutez les ingrédients.
- 5 Installez le couvercle – en veillant à ce que l'extrémité de l'axe soit situé au centre du couvercle.
- 6 **Sélectionnez la vitesse minimum - faible.**

Pour retirer le batteur

Détachez le batteur de la tête de l'axe en appuyant sur le bouton de libération ㉗.

conseils

- N'utilisez pas une vitesse élevée car pour optimiser les résultats de mélange, il est préférable d'appliquer une petite vitesse.
- Pour de meilleurs résultats, ne fouettez pas trop les blancs d'œuf ou la crème – l'accessoire mélange délicat ne pourrait pas battre correctement le mélange si la préparation fouettée est trop ferme.
- N'incorporez pas le mélange plus longtemps que ce qui est mentionné dans le tableau des vitesses recommandées car l'air risquerait d'être balayé et le mélange de devenir alors trop liquide.
- Tous les ingrédients non mélangés laissés sur la pale ou les bords du bol doivent être délicatement incorporés à l'aide de la spatule.

26 mini bol et couteau (si fourni)

Utilisez le petit blender pour broyer les aromates et pour mixer les petites quantités d'ingrédients, par exemple viande, oignon, noix, mayonnaise, légumes, purées, sauces et aliments pour bébés.

- a) mini lame
- b) mini bol

pour utiliser le mini bol et le couteau

- 1 Fixez le bol sur le bloc d'alimentation, ajoutez l'axe d'entraînement détachable.
- 2 Installez le mini bol par dessus l'axe d'entraînement amovible - assurez-vous que les sections de découpes sont alignées sur les onglets de positionnement 14 sur le bol principal.

Remarque : le couvercle du bol principal ne peut pas être installé si le mini bol n'est pas correctement positionné.

- 3 Placez la lame tranchante sur l'arbre de transmission 15.
- 4 Ajoutez les ingrédients à mixer.
- 5 Placez le couvercle et mettez en marche.

sécurité

- N'enlevez jamais le couvercle tant que la lame n'est pas totalement à l'arrêt.
- La lame est très tranchante, elle doit toujours être manipulée avec précaution.

important

- N'insérez pas d'épices car elles risqueraient d'endommager le plastique.
- N'insérez pas d'aliments durs comme les grains de café, des glaçons ou du chocolat, car ils risqueraient d'endommager la lame.

conseils

- Les aromates se broient plus facilement s'ils sont lavés et secs.
- Ajoutez toujours un peu de liquide pour mélanger les ingrédients cuits des aliments pour bébés.
- Coupez les aliments comme le pain, la viande, les légumes, en cubes de 1 à 2 cm avant de les introduire dans le robot.
- Lorsque vous faites une mayonnaise, ajoutez l'huile à l'intérieur et le long du tube d'alimentation.

27 moulin à moudre (si fourni)

Utilisez le moulin à moudre pour moudre des ingrédients secs comme des noix ou des grains de café, et pour moudre des épices telles que des graines de poivre noir, de cardamome, de cumin, de coriandre, de fenouil, du gingembre frais, des gousses d'ail et des piments frais.

- a) bocal du moulin
- b) unité porte-lames du moulin à moudre

Pour utiliser votre moulin

- 1 Insérez les ingrédients dans votre bloc porte-lames 16.
- 2 Installez le bocal a) et tournez dans le sens des aiguilles d'une montre pour verrouiller 16.
- 3 Disposez le moulin sur le bloc moteur et tournez-le dans le sens des aiguilles d'une montre pour le verrouiller 17.
- 4 Sélectionnez une vitesse ou utilisez la fonction pulse (P).

sécurité

- N'installez jamais l'unité porte-lames sur votre robot de cuisine tant que le bol n'est pas mis en place.
- Ne dévissez jamais le bocal tant que le moulin demeure installé sur votre appareil.
- Ne touchez pas les lames coupantes – Conservez l'unité porte-lames hors de la portée des enfants.
- Ne retirez jamais le hachoir tant que les lames ne sont pas complètement à l'arrêt.
- Pour préserver la durée de vie de votre moulin, ne le faites pas fonctionner en continu plus de 60 secondes. Éteignez-le dès que vous avez obtenu la consistance souhaitée.
- L'appareil ne peut pas fonctionner si le moulin n'est pas correctement mis en place.
- Ne hachez jamais des tuberculeuses car il s'agit d'ingrédients trop durs et le fait de les mixer endommagerait les lames.

conseils

- Pour de meilleurs résultats lorsque vous voulez moudre des épices, nous vous recommandons de ne moudre que 50 g d'épices à la fois.
- Dans la mesure où les épices brutes conservent beaucoup plus longtemps leur saveur que celles réduites en poudre, il est préférable de ne moudre qu'une petite quantité à la fois pour leur permettre de préserver toute leur saveur.
- Pour obtenir une saveur optimale et des huiles essentielles, il est préférable de griller les épices brutes avant de les moudre.
- Découpez le gingembre frais en petits morceaux avant de le moudre.
- Pour de meilleurs résultats, il est recommandé d'utiliser l'accessoire du mini bol pour hacher des fines herbes.

28 presse-agrumes (si fourni)

Utilisez le presse-agrumes pour extraire le jus des agrumes (par exemple les oranges, les citrons, les citrons verts et les pamplemousses).

- a) cône
- b) passoire

pour utiliser le presse-agrumes

- 1 Fixez le bol sur le bloc d'alimentation, ajoutez l'axe d'entraînement détachable.
 - 2 Fixez la passoire dans le bol - assurez-vous de verrouiller la poignée de la passoire directement sur celle du bol 18.
 - 3 Fixez le cône sur l'axe d'entraînement manche jusqu'à ce qu'il descende à fond 19.
 - 4 Coupez le fruit en deux. Mettez l'appareil en marche et pressez le fruit sur le cône.
- **Si la passoire n'est pas correctement verrouillée, le presse-agrumes ne fonctionnera pas.**
 - Pour de meilleurs résultats, conservez vos fruits à température ambiante et faites les rouler sous la paume de votre main sur un plan de travail avant de les presser.
 - Pour optimiser l'extraction de jus, bougez le fruit d'un côté et de l'autre lorsque vous le pressez.
 - Lorsque vous réalisez de grandes quantités de jus, videz régulièrement la passoire pour éviter l'amas de pulpe et de grains.

⑲ centrifugeuse (si fourni)

Utilisez la centrifugeuse pour faire des jus à partir de fruits et de légumes fermes.

sécurité

- **N'utilisez pas la centrifugeuse si le filtre est endommagé.**
- Utilisez uniquement le poussoir fourni avec l'appareil. N'introduisez jamais vos doigts dans le tube d'alimentation. Débranchez avant de retirer tout élément obstruant le tube d'alimentation.
- Avant de retirer le couvercle, éteignez l'appareil et attendez l'immobilisation du filtre.
- N'utilisez jamais un accessoire abîmé.

- Ⓐ poussoir
- Ⓑ couvercle
- Ⓒ dépulpeur
- Ⓓ tambour filtrant

utilisation de votre centrifugeuse

- 1 Installez le bol sur le bloc moteur ⑳.
- 2 Insérez le dépulpeur dans le tambour filtrant en veillant alors à ce que les languettes s'engagent dans les encoches présentes dans le fond du tambour ㉑.
- 3 Adapter le tambour filtrant ㉒.
- 4 Placez le couvercle de l'accessoire sur le bol, tournez-le jusqu'à ce qu'il soit verrouillé et que le tube d'alimentation soit positionné sur la poignée ㉓. **Votre centrifugeuse ne fonctionnera pas si le bol ou le couvercle n'est pas correctement inséré dans le système de verrouillage.**
- 5 Coupez les ingrédients en petits bouts pour les mettre dans le tube d'alimentation.
- 6 Allumez et poussez de manière uniforme avec le poussoir - **n'insérez jamais vos doigts dans le tube d'alimentation.** Hachez complètement les ingrédients déjà présents dans le bol avant d'en rajouter.
- Une fois le dernier morceau inséré, laissez la centrifugeuse fonctionner pendant encore 30 secondes pour extraire tout le jus du tamis du filtre.

important

- Si la centrifugeuse commence à vibrer, éteignez-la et retirez la pulpe du tamis. (La centrifugeuse vibre si la pulpe commence à se répartir de manière inégale).
- La capacité maximum pouvant être extraite en une fois est 800 g de fruits ou légumes (référez-vous au tableau des vitesses).
- Certains aliments très durs peuvent occasionner un ralentissement de votre centrifugeuse, voire son arrêt. Si cela se produit, éteignez l'appareil et débloquez le filtre.
- Éteignez l'appareil et videz le collecteur de pulpe régulièrement durent l'emploi.

conseils

- Avant de centrifuger, retirez les noyaux et les pépins (par exemple poivron, melon, prune), ainsi que les peaux dures (par exemple melon, ananas). Il est inutile de peler ou d'évider les pommes et les poires.
- Utilisez des fruits et légumes frais et fermes.

- Pour maximiser l'extraction de jus, placez des petites quantités à la fois dans le tube d'alimentation et poussez doucement.
- Agrumes - pelez et retirez la peau blanche pour éviter que le jus n'ait un goût amer. Pour de meilleurs résultats, utilisez le presse-agrumes.

⑳ boîte de rangement pour accessoires (si fourni)

Votre robot de cuisine est fourni avec un coffret de rangement pour entreposer vos disques.

- 1 Rangez les disques dans le coffret de rangement lorsque vous ne les utilisez pas ㉔.
- 2 Le coffret de rangement est équipé d'une fermeture de sécurité - refermez le couvercle pour le verrouiller. Pour ouvrir, soulevez le couvercle ㉕.


nettoyage et entretien

- Arrêtez et débranchez l'appareil avant de le nettoyer.
- **Manipulez les lames et les disques de coupe avec précaution - ils sont extrêmement tranchants.**
- Certains aliments décolorent le plastique. Ce phénomène est parfaitement normal. Cela n'endommage pas le plastique et n'altère pas le goût des aliments. Frottez-le à l'aide d'un chiffon imbibé d'huile végétale pour faire disparaître la décoloration.

bloc-moteur

- Nettoyez avec un chiffon humide, puis séchez. Assurez-vous que la zone de verrouillage est exempte de résidus alimentaires.
- N'immergez pas le socle d'alimentation dans l'eau.
- Rangez l'excédent de cordon dans la zone de stockage située à l'arrière du bloc d'alimentation ㉖.

blender

- 1 Videz le bol, dévissez l'unité porte-lames en la tournant sur la position de déverrouillage  pour la sortir. Puis retirez l'unité porte-lames en la poussant par en-dessous.
- Veuillez faire très attention lorsque vous retirez l'unité porte-lames du socle.
- 2 Lavez le bol à la main.
- 3 Retirez le joint et lavez-le.
- 4 Ne touchez pas les lames tranchantes : brossez-les à l'aide d'eau chaude savonneuse pour les nettoyer, puis rincez-les soigneusement sous l'eau du robinet. **N'immergez pas l'unité porte-lames dans l'eau.**
- 5 Laissez sécher à l'envers.

double fouet

- Retirez les fouets de la tête de l'axe en tirant délicatement dessus pour les faire sortir. Lavez-les à l'eau chaude savonneuse.
- Nettoyez la tête du fouet à l'aide d'un chiffon humide, puis séchez. **N'immergez pas la tête du fouet dans l'eau.**

moulin


- Retirez le bloc porte-lames du bocal en le tournant dans le sens inverse des aiguilles d'une montre.
- Lavez le bocal à la main.

- Ne touchez pas les lames coupantes – brossez-les à l'eau chaude savonneuse, puis rincez-les minutieusement sous le robinet. **N'immergez pas l'unité porte-lames dans l'eau.**



- Laissez sécher à l'envers.

accessoire mélange délicat

- Détachez le batteur de la tête de l'axe en appuyant sur le bouton de libération . Lavez-le à l'eau chaude savonneuse.
- Nettoyez la tête du de l'accessoire mélange délicat à l'aide d'un chiffon humide, puis séchez. **N'immergez pas la tête de l'accessoire mélange délicat dans l'eau.**

tambour de filtration

- Les lames sur la base du tambour de filtration sont très coupantes, faites très attention lorsque vous manipulez et nettoyez le tambour.

autres pièces

- Lavez à la main et séchez soigneusement.
- Ils peuvent aussi passer au lave-vaisselle, sur l'étagère du haut de votre lave vaisselle. Évitez de placer les éléments sur l'étagère du bas, juste au-dessus de l'élément chauffant. Un programme court à faible température (Maximum 50°C) est recommandé.

AVERTISSEMENTS POUR L'ÉLIMINATION CORRECTE DU PRODUIT CONFORMÉMENT AUX TERMES DE LA DIRECTIVE EUROPÉENNE 2002/96/CE.

Au terme de son utilisation, le produit ne doit pas être éliminé avec les déchets urbains.

Le produit doit être remis à l'un des centres de collecte sélective prévus par l'administration communale ou auprès des revendeurs assurant ce service.

Éliminer séparément un appareil électroménager permet d'éviter les retombées négatives pour l'environnement et la santé dérivant d'une élimination incorrecte, et permet de récupérer les matériaux qui le composent dans le but d'une économie importante en termes d'énergie et de ressources. Pour rappeler l'obligation d'éliminer séparément les appareils électroménagers, le produit porte le symbole d'un caisson à ordures barré.

Article	Articles pouvant être lavés au lave-vaisselle
bol principal, mini bol, couvercle, poussoir	✓
lame, pétrin	✓
axe d'entraînement amovible	✓
disques	✓
disque à capacité maximale	✓
fouets / pale de l'accessoire mélange délicat N'immergez pas la tête du fouet dans l'eau.	✓
bol du blender, couvercle, bouchon de remplissage	✓
unité porte-lames et joint d'étanchéité pour blender	✗
centrifugeuse	✓
bloc porte-lames du moulin	✗
bocal du moulin	✓
spatule	✓

service après-vente

- Si le cordon est endommagé, il doit être remplacé, pour des raisons de sécurité, par KENWOOD ou par un réparateur agréé KENWOOD.
- **En cas de dysfonctionnement du robot, consultez le guide de dépannage avant d'appeler le service après-vente.**

Si vous avez besoin d'aide concernant :

- l'utilisation de votre appareil
- l'entretien ou les réparations
- Contactez le magasin où vous avez acheté votre appareil.

- Conçu et développé par Kenwood au Royaume-Uni.
- Fabriqué en Chine.

Guide de dépannage

Problème	Cause	Solution
Le robot ne fonctionne pas.	<p>Pas d'alimentation électrique. Pas d'alimentation/témoin éteint. Le bol n'est pas installé correctement sur le bloc d'alimentation.</p> <p>Le couvercle du bol n'est pas correctement verrouillé.</p>	<p>Vérifiez que le robot est branché.</p> <p>Vérifiez si le bol est correctement positionné et si la poignée est orientée vers la droite.</p> <p>Vérifiez si le dispositif de verrouillage du couvercle est correctement positionné dans la zone de la poignée.</p> <p>Le robot ne fonctionne pas si le bol et le couvercle ne sont pas installés correctement.</p>
Le hachoir/moulin compact ne fonctionnera pas.	<p>Le hachoir/moulin compact n'est pas correctement verrouillé.</p> <p>Le hachoir/moulin compact n'est pas correctement assemblé.</p>	<p>Le hachoir/moulin compact ne fonctionnera pas s'il n'est pas correctement inséré dans les encoches.</p> <p>Vérifier que l'unité porte-lames est bien attachée au bol du hachoir/moulin.</p>
Le blender ne fonctionnera pas.	<p>Le blender n'est pas correctement verrouillé.</p> <p>Le blender n'est pas assemblé correctement.</p>	<p>Le blender ne fonctionnera pas s'il n'est pas correctement fixé au système de verrouillage.</p> <p>Vérifiez que le porte-lames est complètement serré à l'intérieur du bol.</p>
Le préparateur s'arrête ou ralentit en cours d'opération.	<p>Protection anti-surcharge activée. Préparateur en surcharge ou en surchauffe lors de son fonctionnement. Dépassement de la capacité maximale.</p>	<p>Éteignez, débranchez et laissez l'appareil refroidir pendant environ 15 minutes.</p> <p>Reportez-vous au tableau des vitesses pour connaître les capacités maximales qu'il est possible de préparer.</p>
Fuite du blender depuis la base de l'ensemble porte-lames.	<p>Absence de joint. Joint mal fixé. Joint endommagé.</p>	<p>Assurez-vous que le joint est correctement mis en place et non endommagé.</p> <p>Pour obtenir le remplacement d'un joint endommagé, consultez la section « service après-vente ».</p>
Joint du blender non installé sur l'unité porte-lames lors de sa sortie de l'emballage.	<p>Le joint est fourni pré-monté sur l'unité porte-lames.</p>	<p>Dévissez le bol et vérifiez que le joint d'étanchéité est fixé à l'unité porte-lames.</p> <p>Pour obtenir le remplacement d'un joint endommagé, consultez la section « service après-vente ».</p>
Mauvaise performance des outils/accessoires.	<p>Consultez les conseils dans la section « Utilisation des accessoires » appropriée. Assurez-vous que les accessoires sont correctement assemblés.</p>	

Deutsch

Vor dem Lesen bitte die Titelseite mit den Illustrationen auseinanderfalten

Sicherheit

- Lesen Sie diese Anleitungen sorgfältig durch und bewahren Sie sie zur späteren Bezugnahme auf.
- Entfernen Sie sämtliche Verpackungen und Aufkleber.
- Vorsicht - die Messer und Scheiben sind sehr scharf. **Bei Gebrauch und Reinigung immer oben am Fingergriff, weg von den Klingen, anfassen.**
- Die Küchenmaschine nicht am Griff heben oder tragen – der Griff kann sonst abbrechen und zu Verletzungen führen.
- Vor Entleeren der Schüssel immer das Schlagmesser herausnehmen.
- Hände und Utensilien nicht in die Schüssel oder den Mixbecher halten, während das Gerät an den Netzstrom angeschlossen ist.
- Gerät ausschalten und den Netzstecker ziehen:
 - vor dem Anbringen oder Abnehmen von Teilen,
 - wenn das Gerät nicht gebraucht wird,
 - vor dem Reinigen.
- Schnittgut niemals mit den Fingern durch den Füllschacht drücken. Stets den/die mitgelieferten Stopfer verwenden.
- **Die Messereinheit niemals ohne angebrachten Mixbecher oder Kompakt-Zerkleinerer/Mahlaufsatz auf die Antriebseinheit schrauben.**
- Vor dem Abnehmen des Deckels von der Schüssel oder des Mixers von der Antriebseinheit:
 - das Gerät ausschalten;
 - warten, bis das Zubehörteil/die Messer völlig zum Stillstand gekommen sind;
 - den Mixbecher bzw. Kompakt-Zerkleinerer/Mahlaufsatz nicht von der Messereinheit abschrauben.
- **VERBRENNUNGSRISIKO:** Heiße Zutaten vor dem Mixen auf Raumtemperatur abkühlen lassen.
- Zum Betreiben der Küchenmaschine niemals den Deckel verwenden, sondern stets den Betriebs-/Geschwindigkeitsschalter.
- **Das Gerät wird beschädigt und kann Verletzungen verursachen, wenn der Verriegelungsmechanismus mit zu viel Kraftaufwand betätigt wird.**
- **Stets den Netzstecker ziehen, wenn die Küchenmaschine nicht in Gebrauch ist.**
- Niemals unzulässiges Zubehör verwenden.
- Das Gerät im Betrieb niemals unbeaufsichtigt lassen.
- Niemals ein beschädigtes Gerät benutzen. Lassen Sie es überprüfen oder reparieren: siehe „Kundendienst und Service“.

- Antriebseinheit, Netzkabel und Netzstecker niemals nass werden lassen.
- Überschüssiges Netzkabel nicht über die Tischkante oder Arbeitsplatte herabhängen oder mit heißen Oberflächen in Berührung kommen lassen.
- Niemals die in der Empfehlungstabelle angegebenen Höchstmengen überschreiten.
- Kinder müssen überwacht werden, damit sie nicht mit dem Gerät spielen.
- Dieses Gerät darf nicht von Kindern verwendet werden. Gerät und Netzkabel müssen für Kinder unzugänglich sein.
- Geräte können von Personen mit körperlichen, sensorischen oder geistigen Behinderungen oder von Personen mit mangelnder Erfahrung oder Kenntnis verwendet werden, sofern diese beaufsichtigt oder in die sichere Verwendung des Geräts eingewiesen wurden und sofern sie die damit verbundenen Gefahren verstehen.
- Das Gerät nur für seinen vorgesehenen Zweck im Haushalt verwenden. Kenwood übernimmt keine Haftung bei unsachgemäßer Benutzung des Geräts oder Nichteinhaltung dieser Anleitungen.
- Unsachgemäßer Gebrauch Ihrer Küchenmaschine/Ihres Mixers kann zu Verletzungen führen.
- Der maximale Leistungswert wird anhand des Aufsatzes mit der größten Leistungsaufnahme berechnet. Bei anderen Aufsätzen ist die Leistungsaufnahme u.U. geringer.

Lesen Sie weitere Sicherheitshinweise für die einzelnen Zubehörteile im Kapitel „Verwendung des Zubehörs“.

Sicherheitshinweise zum Mixer

- **VERBRENNUNGSRISIKO:** Heiße Zutaten vor dem Mixen auf Raumtemperatur abkühlen lassen.
- Die Messer sind sehr scharf! Gehen Sie bei Gebrauch und Reinigung sehr vorsichtig damit um.
- Den Mixer nur mit aufgesetztem Deckel betreiben.
- Den Mixbecher nur mit der mitgelieferten Messereinheit verwenden.
- Den Mixer niemals leer laufen lassen.
- Um eine lange Lebensdauer Ihres Mixers zu gewährleisten, sollte er nie länger als 60 Sekunden ununterbrochen laufen.
- Rezepte für Smoothies - niemals gefrorene Zutaten mixen, die beim Tiefkühlen zu einer festen Masse zusammengefroren sind. Die Masse vor dem Einfüllen zerkleinern.
- Niemals mehr als die Höchstmenge von 1,5 Litern verarbeiten.

Sicherheitshinweise zu Raspel-/Schneidescheiben

- **Deckel erst abnehmen, nachdem die Schneidescheibe ganz zum Stillstand gekommen ist.**
- **Die Schneidescheiben mit Vorsicht handhaben, sie sind extrem scharf.**
- **Höchstfüllmenge der Schüssel nicht überschreiten – Schüssel höchstens bis zur Maximum-Markierung füllen.**

Sicherheitshinweise zu Mini-Schüssel und Schlagmesser

- Deckel erst abnehmen, nachdem das Schlagmesser ganz zum Stillstand gekommen ist.
- Vorsicht - das Schlagmesser ist sehr scharf.

Sicherheitshinweise zum Kompakt-Zerkleinerer/Mahlaufsatz

- Das Messerwerk nie ohne den Behälter in die Maschine einsetzen.
- Niemals den Behälter abschrauben, solange der Kompakt-Zerkleinerer/Mahlaufsatz auf der Maschine sitzt.
- Messer nicht berühren und von Kindern fernhalten.
- Kompakt-Zerkleinerer/Mahlaufsatz erst abnehmen, wenn das Messerwerk zum Stillstand gekommen ist.
- Damit der Kompakt-Zerkleinerer/Mahlaufsatz möglichst lange hält, sollten Sie ihn nie länger als 60 Sekunden ununterbrochen laufen lassen. Schalten Sie ihn aus, sobald Ihr Mahlgut die gewünschte Konsistenz hat.
- Das Gerät funktioniert nicht, wenn der Kompakt-Zerkleinerer/Mahlaufsatz falsch aufgesetzt ist.
- Verwenden Sie den Kompakt-Zerkleinerer/Mahlaufsatz nicht für Kurkumawurzel, da diese zu hart ist und die Messer beschädigen könnte.

Sicherheitshinweise zum Entsafter

- **Entsafter nicht verwenden, wenn der Filter beschädigt ist.**
- Nur den zum Gerät gehörigen Stopfer verwenden. Niemals die Finger in den Füllschacht stecken. Gerät vom Netz trennen, bevor Sie Blockierungen im Füllschacht entfernen.
- Vor Abnehmen des Deckels das Gerät ausschalten und warten, bis der Filter stillsteht.
- Niemals einen beschädigten Aufsatz benutzen.

Vor dem Netzanschluss

- Sicherstellen, dass die Netzspannung mit den Angaben auf der Unterseite des Geräts übereinstimmt.
- Das Gerät entspricht der europäischen EMV-Richtlinie 2004/108/EG und der EG-Verordnung Nr. 1935/2004 vom 27.10.2004 über Materialien und Gegenstände, die dazu bestimmt sind, mit Lebensmitteln in Berührung zu kommen.

Vor dem ersten Gebrauch

- 1 Entfernen Sie den Kunststoff-Schutz vom Schlagmesser.
Vorsicht! Die Messer sind sehr scharf. Diese Abdeckungen sollten entsorgt werden, da sie lediglich zum Schutz der Messer bei Herstellung und Transport dienen.
- 2 Waschen Sie die Teile ab; siehe „Pflege und Reinigung“.

Schlüssel

Küchenmaschine

- ① Antriebseinheit
- ② Schüssel mit Antriebswelle
- ③ Abnehmbare Antriebswelle
- ④ Deckel
- ⑤ Füllschacht
- ⑥ Stopfer
- ⑦ Sicherheitsverriegelungen
- ⑧ Geschwindigkeits-/Pulsregler
- ⑨ Betriebsanzeige
- ⑩ Kabelfach (hinten)

Mixer

- ⑪ Einfüllkappe
- ⑫ Deckel
- ⑬ Mixbecher
- ⑭ Dichtungsring
- ⑮ Messereinsatz
- ⑯ Sockel

A - Standardaufsätze

- ⑰ Schlagmesser
- ⑱ Knetwerkzeug
- ⑲ Maxi-Abdeckscheibe
- ⑳ Raspel-/Schneidescheibe, 2 mm

B – Optionales Zubehör

Es kann sein, dass nicht alle der unten aufgeführten Zubehörteile im Lieferumfang Ihrer Küchenmaschine enthalten sind. Dies hängt vom jeweiligen Modell ab. Für zusätzliche Informationen oder zum Bestellen von weiterem Zubehör siehe den Abschnitt „Kundendienst und Service“.

- ㉑ Doppel-Schneebesen (wenn im Lieferumfang)
- ㉒ Raspel-/Schneidescheibe, 4 mm (wenn im Lieferumfang)
- ㉓ Extrafeine Raspelscheibe (wenn im Lieferumfang)
- ㉔ Pommes-frites-Scheibe (wenn im Lieferumfang)
- ㉕ Unterheb-Rührelement (wenn im Lieferumfang)
- ㉖ Mini-Schüssel und Messer (wenn im Lieferumfang)
- ㉗ Zerkleinerer/Mahlaufsatz (wenn im Lieferumfang)
- ㉘ Zitruspresse (wenn im Lieferumfang)
- ㉙ Entsafter (wenn im Lieferumfang)
- ㉚ Zubehörbox (wenn im Lieferumfang)

Verwendung Ihrer Küchenmaschine

- 1 Setzen Sie die Schüssel auf die Antriebseinheit. Achten Sie darauf, dass der Griff nach rechts weist, und drehen Sie ihn nach vorne ①, bis die Schüssel einrastet.
- 2 Setzen Sie ein Zubehörteil auf die Antriebswelle der Schüssel.
Hinweis: Die abnehmbare Antriebswelle ② zum Verwenden von Scheiben, Mini-Schüssel, Schneebesen, Unterheb-Rührelement und Zitruspresse aufsetzen.
 - Setzen Sie immer die Schüssel und das Zubehörteil auf die Maschine, bevor Sie die Zutaten hinzugeben.
- 3 Setzen Sie den Deckel auf achten Sie darauf, dass die Spitze der Antriebswelle bzw. des Zubehörteils in die Mitte des Deckels ④ greift.
● Die Küchenmaschine funktioniert nur, wenn Schüssel und Deckel richtig arretiert sind. Überprüfen Sie, dass sich Füllschacht und Schüsselgriff auf der rechten Seite befinden.
- 4 Schließen Sie die Küchenmaschine an das Netz an. Die Betriebsanzeige leuchtet auf. Wählen Sie eine der folgenden Optionen:
Geschwindigkeitsregler – Wählen Sie manuell die gewünschte Geschwindigkeit (siehe Tabelle empfohlener Geschwindigkeiten).
Puls – Verwenden Sie die Pulsfunktion (P) für kurze, stoßweise Mixvorgänge. Die Pulsfunktion läuft, solange der Schalter in der entsprechenden Position gehalten wird.
- 5 Stellen Sie den Geschwindigkeitsregler am Ende des Arbeitsvorgangs wieder auf „AUS“. (Richten Sie den Geschwindigkeitsregler mit der Betriebsanzeige ⑨ aus.)
● Das Gerät vor dem Abnehmen des Deckels immer ausschalten und den Netzstecker ziehen.
Wichtig
 - Ihre Küchenmaschine eignet sich nicht zum Zerkleinern oder Mahlen von Kaffeebohnen oder grobem Zucker.

Verwendung Ihres Mixers

- 1 Legen Sie den Dichtungsring ⑭ in den Messereinsatz ⑮ ein und achten Sie darauf, dass der Ring richtig sitzt. **Wenn die Dichtung beschädigt ist oder nicht richtig eingesetzt wurde, kann Flüssigkeit auslaufen.**
- 2 Setzen Sie den Messereinsatz ⑮ in den Sockel ⑯ ein.
- 3 Schrauben Sie die Messereinheit in den Mixbecher und stellen Sie sicher, dass sie fest sitzt ④. Richten Sie sich nach den Abbildungen auf der Unterseite des Sockels:

 - entriegelte Position

 - verriegelte Position

Der Mixer funktioniert nicht, wenn er falsch zusammengesetzt wurde.

- 4 Füllen Sie Ihre Zutaten in den Mixbecher.
 - 5 Setzen Sie die Einfüllkappe in den Deckel und diesen dann auf den Becher. Drehen Sie den Deckel im Uhrzeigersinn ⑤, bis er einrastet.
 - 6 Setzen Sie den Mixer auf die Antriebseinheit und drehen Sie ihn im Uhrzeigersinn ⑥, bis er einrastet.
- **Das Gerät funktioniert nicht, wenn der Mixer falsch auf der Verriegelung befestigt ist.**
- 7 Wählen Sie eine Geschwindigkeit (siehe Empfehlungstabelle) oder verwenden Sie die Pulsfunktion.

Tipps

- Für die Zubereitung von Mayonnaise alle Zutaten außer dem Öl in den Mixer geben. Die Einfüllkappe entfernen. Dann bei laufendem Gerät das Öl langsam durch die Einfüllöffnung dazugießen.
- Dickflüssige Mischungen, z. B. Pâtés und Dips, müssen evtl. zwischendurch von den Seiten des Mixbechers nach unten geschabt werden. Lässt sich die Mischung zu schwer verarbeiten, mehr Flüssigkeit zugeben.
- Zerkleinern von Eis – verwenden Sie die Pulsfunktion stoßweise, bis das Eis die gewünschte Konsistenz hat.
- Es wird davon abgeraten, Gewürze zu verarbeiten, da diese die Kunststoffteile beschädigen können.
- Das Gerät funktioniert nicht, wenn der Mixer falsch aufgesetzt wurde.
- Zum Verarbeiten trockener Zutaten - ggf. klein scheiden, Einfüllkappe abnehmen und nach und nach bei laufendem Gerät hinzugeben. Ihre Hand über die Öffnung halten. Für optimale Ergebnisse regelmäßig leeren.
- Mixer nicht als Aufbewahrungsbehälter verwenden. Er sollte vor und nach dem Gebrauch leer bleiben.
- Niemals mehr als 1,5 Liter verarbeiten – weniger für schaumige Flüssigkeiten wie Milchshakes.

Empfehlungstabelle

Werkzeug/ Zubehör	Funktion	Empfohlene Geschwindigkeit	Verarbeitungszeit *	Höchstmenge
Schlagmesser	Kuchenteige	Max.	15-20 Sek.	1,5 kg Mehl
	Knetteig – Einarbeiten von Fett in Mehl Zugabe von Wasser für Teigzutaten	Mittel – Max.	10 Sek. 10-20 Sek.	340g Mehl
	Hacken von Fisch und magerem Fleisch Patés und Terrinen	Max.	10-30 Sek.	600g max. mageres Rindfleisch
	Hacken von Gemüse	Puls	5-10 Sek.	500g
	Hacken von Nüssen	Max.	30-60 Sek.	200g
	Pürieren von weichem / gekochtem Obst und Gemüse	Max.	10-30 Sek.	1 kg
	Soßen, Dressings und Dips	Max.	2 Min. (max.)	800g
Schlagmesser mit Maxi-Abdeckscheibe	Kalte Suppen	Langsam starten und bis	30-60 Sek.	1,5 l
	Milkshakes/flüssige Teige	Höchstgeschwindigkeit steigern	15-30 Sek.	1 l
Doppel-Schneebeisen	Eiweiß	Max.	60-90 Sek.	6 (200g)
	Eier und Zucker für Biskuit ohne Fett	Max.	4-5 Min.	3 (150g)
	Sahne	Max.	30 Sek.	500 ml
	Schaumigschlagen von Fett und Zucker	Max.	2 Min. (max.)	200g Fett 200g Zucker
Knetwerkzeug	Hefeteig	Max.	60 Sek.	1 kg Gesamtgewicht
	Weißes Brotmehl	Max.	60 Sek.	600g Mehl
	Vollkornmehl	Max.	60 Sek.	500g Mehl
Unterheb-Rührelement	Aufschlagen von Sahne und Fruchtpürees	Min. – Niedrig	60 Sek.	300g Sahne, 300g Püree
	Untermischen von Eiweiß in schwere Teige	Min. – Niedrig	60 Sek.	Gesamtgewicht 600g
	Makronen	Min. – Niedrig	60 Sek.	Gesamtgewicht 500g
Scheiben - Schneiden/ Raspeln	Feste Zutaten wie z.B. Karotten, Hartkäse	Mittel – Max.	–	Schüssel höchstens bis zur Maximum- Markierung füllen
	Weichere Zutaten wie z.B. Gurken, Tomaten	Min. - Mittel	–	
Extrafeine Raspelscheibe	Parmesankäse, Kartoffeln für Kartoffelknödel	Max.	–	
Pommes-frites-Scheibe	Für dünne Pommes frites und Zutaten für Eintöpfe und Dips (z.B. Gurken, Äpfel und Birnen).	Max.	–	
Mixer	Kalte Flüssigkeiten und Getränke	Max.	15-30 Sek.	1,5 l
	Suppen mit Brühe als Grundlage	Max.	30 Sek.	1,2 l
	Suppen mit Milch	Max.	30 Sek.	1 l
VERBRENNUNGSRISIKO: Heiße Zutaten vor dem Mixen auf Raumtemperatur abkühlen lassen.				
Mini-Schüssel und Schlagmesser	Fleisch	Max.	20 Sek. + Puls	200g mageres Rindfleisch
	Hacken von Kräutern	Max.	30 Sek.	15g
	Hacken von Nüssen	Max.	30 Sek.	50g
	Mayonnaise	Max.	30 Sek.	2 Eigelb 300g Öl
	Pürees	Max.	30 Sek.	200g
Zitruspresse	Kleinere Früchte, d. h. Limonen und Zitronen Größere Früchte, d. h. Orangen und Grapefruit	Min. – Niedrig	–	1 kg
Entsafter	Zum Entsaften von hartem Obst und Gemüse wie Äpfel und Karotten	Max.	–	800 g Äpfel 600 g Karotten
	Zum Entsaften von weichem Obst und Gemüse wie Trauben und Tomaten	Max.	–	500 g
Zerkleinerer/Mahlaufsatz	Zerkleinern verschiedener Gewürze	Max.	30 - 60 Sek.	50 g
	Mahlen von Kaffeebohnen	Max.	30 Sek.	
	Hacken von Nüssen	Puls	10 Sek.	50 g
	Zerkleinern von Knoblauchzehen, frischen Chilischoten und Ingwerwurzeln	Puls	10 Sek.	30 g

* Diese Angaben dienen lediglich zur Orientierung. Tatsächliche Zeiten sind abhängig vom jeweiligen Rezept und den verarbeiteten Zutaten.

Verwendung des Zubehörs

Lesen Sie die Empfehlungstabelle für jedes Zubehörteil.

17 Schlagmesser

Das Schlagmesser ist das vielseitigste aller Zubehörteile. Die letztendliche Konsistenz ist abhängig von der Verarbeitungsdauer.

Die Pulsfunktion empfiehlt sich für ein gröberes Ergebnis. Verwenden Sie das Schlagmesser zum Zubereiten von Teig, zum Hacken von rohem und gekochtem Fleisch, Gemüse und Nüssen, zum Mixen von Pâtés und Dips, zum Pürieren von Suppen und Zubereiten von Keks- und Brotkrümeln.

Tipps

- Schneiden Sie Zutaten wie Fleisch, Brot oder Gemüse vor dem Verarbeiten in ca. 2 cm große Stücke.
- Kekse sollten in Stücke gebrochen und bei laufendem Gerät durch den Füllschacht zugegeben werden.
- Beim Zubereiten von Teig das Fett direkt aus dem Kühlschrank in ca. 2 cm großen Stücken zugeben.
- Ein zu langes Verarbeiten vermeiden.

18 Knetwerkzeug

Für Hefeteig.

- Trockene Zutaten in die Schüssel geben und Flüssigkeit bei laufendem Gerät durch den Füllschacht zugeben. Verarbeiten, bis eine glatte, geschmeidige Teigkugel entsteht; dies dauert 60 Sekunden.
- Von Hand nachkneten. Das Nachkneten in der Schüssel wird nicht empfohlen, da die Küchenmaschine dabei ihren sicheren Stand verlieren könnte.

19 Maxi-Abdeckscheibe

Beim Verarbeiten von Flüssigkeiten in der Schüssel muss die Maxi-Füllscheibe zusammen mit dem Schlagmesser verwendet werden. Die Scheibe verhindert das Austreten von Flüssigkeit und verbessert die Zerkleinerungsleistung des Schlagmessers.

- 1 Setzen Sie die Schüssel auf die Antriebseinheit.
- 2 Setzen Sie das Schlagmesser ein.
- 3 Geben Sie die zu verarbeitenden Zutaten hinein.
- 4 Setzen Sie die Maxi-Füllscheibe über das Schlagmesser und stellen Sie sicher, dass sie auf der Kante in der Schüssel aufsitzt **10. Drücken Sie nicht auf die Abdeckscheibe.**
- 5 Setzen Sie den Deckel auf und schalten Sie das Gerät ein.

21 Doppel-Schneebesen (wenn im Lieferumfang)

Für leichtes Mischgut wie z. B. Eiweiß, Sahne oder Kondensmilch, oder zum Schlagen von Eiern und Zucker für Biskuitteig.

Verwendung des Schneebesens

- 1 Setzen Sie die Schüssel auf die Antriebseinheit und bringen Sie die abnehmbare Antriebswelle an.
- 2 Drücken Sie jedes Rührlement **7** fest in den Antriebskopf.
- 3 Bringen Sie den Schneebesen an, indem Sie ihn vorsichtig drehen, bis er auf die Antriebswelle rutscht.
- 4 Geben Sie die Zutaten in die Schüssel.
- 5 Setzen Sie den Deckel auf - achten Sie darauf, dass die Spitze der Antriebswelle in die Mitte des Deckels greift.
- 6 Schalten Sie das Gerät ein.

Wichtig

- **Der Schneebesen eignet sich nicht für Rührteige, da diese zu schwer sind und den Schneebesen beschädigen würden. Verwenden Sie dafür stets das Schlagmesser.**

Tipps

- Eier sollten zum Schlagen am besten Raumtemperatur haben.
- Vor dem Schlagen von Eischnee sicherstellen, dass Schüssel und Schneebesen sauber und frei von Fettsuren sind.

Schaumigschlagen von Fett und Zucker

- Für beste Ergebnisse sollte das Fett vor dem Verarbeiten bei Raumtemperatur (20°C) weich werden. **Verwenden Sie KEINESFALLS Fett direkt aus dem Kühlschrank, da dies den Schneebesen beschädigen würde.**
- Schwerere Zutaten wie Mehl und Trockenobst sollten von Hand untergemischt werden.
- Niemals die in der Empfehlungstabelle angegebenen Höchstmengen und Verarbeitungszeiten überschreiten.

Raspel-/Schneidescheiben

Doppelseitige Raspel-/Schneidescheiben - 2mm **20**, 4mm **22**

Verwenden Sie die Raspelseite für Käse, Karotten, Kartoffeln und Nahrungsmittel von ähnlicher Konsistenz. Verwenden Sie die Schneideseite für Käse, Karotten, Kartoffeln, Kohl, Gurken, Zucchini, Rote Beete und Zwiebeln.

Extrafeine Raspelscheibe **23** (wenn im Lieferumfang)

Zum Reiben von Parmesan oder Kartoffeln für Knödel.

Pommes-frites-Scheibe **24** (wenn im Lieferumfang)

Für dünne Pommes frites und Zutaten für Eintöpfe und Dips (z.B. Gurken, Äpfel und Birnen).

Sicherheit

- **Deckel erst abnehmen, nachdem die Schneidescheibe ganz zum Stillstand gekommen ist.**
- **Die Schneidescheiben mit Vorsicht handhaben, sie sind extrem scharf.**

- **Höchstfüllmenge der Schüssel nicht überschreiten – Schüssel höchstens bis zur Maximum-Markierung füllen.**

Verwendung der Schneidescheiben

- 1 Setzen Sie die Schüssel auf die Antriebseinheit und bringen Sie die abnehmbare Antriebswelle an.
- 2 Halten Sie die Scheibe am Mittelgriff fest und setzen Sie sie mit der gewünschten Seite nach oben auf die Antriebswelle **11**.
- 3 Setzen Sie den Deckel auf.
- 4 Geben Sie das Schnittgut in den Füllschacht. Wählen Sie die Größe des Füllschachts aus. Der Stopfer enthält einen kleineren Füllschacht zum Verarbeiten von Einzelstücken oder dünnen Zutaten. Verwendung des kleinen Füllschachts: Setzen Sie zunächst den großen Stopfer in den Füllschacht ein. Verwendung des großen Füllschachts: Verwenden Sie beide Stopfer gemeinsam.
- 5 Schalten Sie das Gerät ein und drücken Sie das Schnittgut gleichmäßig mit dem Stopfer nach unten. **Stecken Sie niemals die Finger in den Füllschacht.**

Tipps

- Frische Zutaten verwenden.
- Die Zutaten nicht zu klein schneiden. Die Breite des Füllschachts ziemlich ausfüllen. So wird verhindert, dass die Zutaten während der Verarbeitung seitlich wegrutschen. Bei Bedarf den kleinen Füllschacht benutzen..
- Bei Verwendung der Pommes-frites-Scheibe Zutaten horizontal einführen.
- Beim Schneiden oder Raspeln: Senkrecht eingefülltes Schnittgut **12** wird kürzer geschnitten als horizontal liegende Stücke **13**.
- Nach der Verarbeitung bleiben immer kleine Reste auf der Scheibe oder in der Schüssel zurück.

25 Unterheb-Röhrelement (wenn im Lieferumfang)

Verwenden Sie den Unterheb-röhrelement zum Unterheben von leichten Zutaten in schwereren Mischungen, z. B. für Baiser, Mousse und Schaumgerichte.

- 1 Setzen Sie die Schüssel auf die Antriebseinheit und bringen Sie die abnehmbare Antriebswelle an.
- 2 Drücken Sie das Röhrelement **8** fest in den Antriebskopf.
- 3 Bringen Sie den Unterheb-Röhrelement an, indem Sie ihn vorsichtig drehen, bis er auf die Antriebswelle rutscht.
- 4 Geben Sie die Zutaten in die Schüssel.
- 5 Setzen Sie den Deckel auf – achten Sie darauf, dass die Spitze der Antriebswelle in die Mitte des Deckels greift.
- 6 **Wählen Sie Geschwindigkeitsstufe Min. – niedrig.**

Entfernen des Röhrelements

Das Röhrelement durch Drücken der Freigabetaste vom Antriebskopf entfernen **9**.

Tipps

- Keine hohen Geschwindigkeiten verwenden, da zum optimalen Unterheben eine niedrige Geschwindigkeit erforderlich ist.

- Für beste Ergebnisse sollten Eischnee und Sahne nicht zu stark geschlagen werden – der Unterheb-Röhrelement kann die Mischung nicht korrekt verarbeiten, wenn sie zu fest wird.
- Schlagen Sie die Mischung nicht länger als gemäß Zeitangabe in der Empfehlungstabelle, da sie ansonsten ihre Luftigkeit und Konsistenz verliert.
- Etwaige nicht vermischte Zutaten am Röhrelement oder an der Schüsselwand sollten vorsichtig mit dem Spatel untergehoben werden.

26 Mini-Schüssel und Messer (wenn im Lieferumfang)

Verwenden Sie die Mini-Arbeitsschüssel zum Hacken von Kräutern und zum Verarbeiten von kleinen Zutatenmengen, z. B. Fleisch, Zwiebeln, Nüsse, Mayonnaise, Gemüse, Pürees, Soßen und Babynahrung.

- Ⓐ Mini-Schlagmesser
- Ⓑ Mini-Schüssel

Verwendung der Mini-Schüssel mit Schlagmesser

- 1 Setzen Sie die Schüssel auf die Antriebseinheit und bringen Sie die abnehmbare Antriebswelle an.
- 2 Setzen Sie die Mini-Schüssel auf die abnehmbare Antriebswelle – die Aussparungen müssen dabei in die Vorsprünge **14** der Arbeitsschüssel greifen. **Hinweis:** Der Deckel der Arbeitsschüssel lässt sich nur anbringen, wenn die Mini-Schüssel korrekt eingesetzt wurde.
- 3 Setzen Sie das Schlagmesser auf die Antriebswelle **15**.
- 4 Geben Sie die zu verarbeitenden Zutaten hinein.
- 5 Setzen Sie den Deckel auf und schalten Sie das Gerät ein.

Sicherheit

- Deckel erst abnehmen, nachdem das Schlagmesser ganz zum Stillstand gekommen ist.
- Vorsicht – das Schlagmesser ist sehr scharf.

Wichtig

- Keine Gewürze verarbeiten – sie können die Kunststoffteile beschädigen.
- Keine harten Nahrungsmittel wie Kaffeebohnen, Eiswürfel oder Schokolade verarbeiten – sie können das Schlagmesser beschädigen.

Tipps

- Für beste Ergebnisse sollten Kräuter sauber und trocken sein.
- Beim Verarbeiten gekochter Zutaten für Babynahrung stets ein wenig Flüssigkeit hinzugeben.
- Zutaten wie Fleisch, Brot oder Gemüse vor dem Verarbeiten in ca. 1-2 cm große Stücke schneiden.
- Für die Zubereitung von Mayonnaise das Öl durch die Einfüllöffnung dazugießen.

27 Zerkleinerer/Mahlaufsatz (wenn im Lieferumfang)

Verwenden Sie den Zerkleinerer/Mahlaufsatz zum Verarbeiten trockener Zutaten wie Nüsse oder Kaffeebohnen und zum Mahlen von Gewürzen wie: schwarze Pfefferkörner, Kardamomkörner, Kreuzkümmel, Korianderkörner, Fenchelkörner, frische Ingwerwurzel, Knoblauchzehen und frische Chilischoten.

- Ⓐ Mahlbehälter
- Ⓑ Messereinheit für Zerkleinerer/Mahlaufsatz

Verwendung Ihres Zerkleinerers/Mahlaufsatzes

- 1 Geben Sie Ihre Zutaten in die Messereinheit Ⓑ.
- 2 Setzen Sie den Mahlbehälter Ⓐ auf und drehen Sie ihn im Uhrzeigersinn, bis er einrastet Ⓘ.
- 3 Setzen Sie den Zerkleinerer/Mahlaufsatz auf die Antriebseinheit und drehen Sie ihn im Uhrzeigersinn, bis er einrastet Ⓣ.
- 4 Wählen Sie eine Geschwindigkeit oder verwenden Sie die Pulsfunktion (P).

Sicherheit

- Den Messereinsatz niemals ohne angebrachten Mahlbehälter auf die Küchenmaschine schrauben.
- Niemals den Behälter abschrauben, solange der Zerkleinerer/Mahlaufsatz auf der Maschine sitzt.
- Die scharfen Messer nicht berühren – Messereinsatz von Kindern fernhalten.
- Zerkleinerer/Mahlaufsatz immer erst abnehmen, wenn das Messerwerk zum Stillstand gekommen ist.
- Damit der Zerkleinerer/Mahlaufsatz möglichst lange hält, sollten Sie ihn nie länger als 60 Sekunden ununterbrochen laufen lassen. Schalten Sie ihn aus, sobald Ihr Mahlgut die gewünschte Konsistenz hat.
- Das Gerät funktioniert nicht, wenn der Zerkleinerer/Mahlaufsatz falsch aufgesetzt ist.
- Verwenden Sie den Zerkleinerer/Mahlaufsatz nicht für Kurkumawurzel, da diese zu hart ist und die Messer beschädigen könnte.

Tipps

- Für eine optimale Leistung beim Mahlen von Gewürzen empfehlen wir, maximal 50 g pro Mahlvorgang zu verarbeiten.
- Ganze Gewürze behalten ihr Aroma sehr viel länger als gemahlene. Es empfiehlt sich deshalb, jeweils kleine Mengen nach Bedarf frisch zu mahlen.
- Um das volle Aroma und die essentiellen Öle von Gewürzen freizusetzen, können Sie sie vor dem Mahlen rösten.
- Schneiden Sie Ingwerwurzel vor dem Mahlen in kleine Stücke.
- Für die besten Ergebnisse empfiehlt es sich, beim Hacken von Kräutern die Mini-Schüssel zu verwenden.

28 Zitruspresse (wenn im Lieferumfang)

Zum Entsaften von Zitrusfrüchten (z. B. Orangen, Zitronen, Limetten und Grapefruit).

- Ⓐ Presskegel
- Ⓑ Sieb

Verwendung der Zitruspresse

- 1 Setzen Sie die Schüssel auf die Antriebseinheit und bringen Sie die abnehmbare Antriebswelle an.
- 2 Setzen Sie das Sieb in die Schüssel - vergewissern Sie sich, dass der Siebgriff direkt über dem Schüsselgriff einrastet Ⓘ.
- 3 Setzen Sie den Presskegel auf die Antriebswelle und drehen Sie ihn, bis er ganz nach unten rutscht Ⓣ.
- 4 Halbieren Sie die Frucht. Schalten Sie dann das Gerät ein und drücken Sie die Frucht auf den Presskegel.

- **Die Zitruspresse funktioniert nur, wenn das Sieb ordnungsgemäß eingerastet ist.**
- Die besten Ergebnisse erzielen Sie, wenn Sie die Früchte bei Zimmertemperatur aufbewahren und verarbeiten und sie vor dem Entsaften mit leichtem Druck auf der Arbeitsfläche rollen.
- Sie erhöhen die Saftausbeute, indem Sie die Frucht beim Entsaften leicht hin und her bewegen.
- Beim Entsaften großer Mengen sollten Sie das Sieb regelmäßig reinigen, damit sich nicht zu viel Fruchtfleisch und Kerne ansammeln.

29 Entsafter (wenn im Lieferumfang)

Zum Entsaften von hartem Obst und Gemüse.

Sicherheit

- **Entsafter nicht verwenden, wenn der Filter beschädigt ist.**
- Nur den zum Gerät gehörigen Stopfer verwenden. Niemals die Finger in den Füllschacht stecken. Gerät vom Netz trennen, bevor Sie Blockierungen im Füllschacht entfernen.
- Vor Abnehmen des Deckels das Gerät ausschalten und warten, bis der Filter stillsteht.
- Niemals einen beschädigten Aufsatz benutzen.

- Ⓐ Stopfer
- Ⓑ Deckel
- Ⓒ Tresterauswurf
- Ⓓ Filtertrommel

Verwendung des Entsafters

- 1 Setzen Sie die Schüssel auf die Antriebseinheit Ⓓ.
- 2 Setzen Sie den Tresterauswurf in die Filtertrommel. Stellen Sie sicher, dass die Zapfen in die dafür vorgesehenen Schlitze am Boden der Trommel greifen Ⓒ.
- 3 Setzen Sie die Filtertrommel ein Ⓓ.
- 4 Setzen Sie den Deckel des Aufsatzes auf die Schüssel. Drehen Sie ihn, bis er einrastet und der Füllschacht über dem Griff sitzt Ⓒ. **Ihr Entsafter funktioniert nur, wenn Schüssel und Deckel richtig arretiert sind.**
- 5 Schneiden Sie das Obst/Gemüse in Stücke, so dass es in den Füllschacht passt.

- 6 Schalten Sie das Gerät ein und drücken Sie die Stücke gleichmäßig mit dem Stopfer nach unten. **Stecken Sie niemals die Finger in den Füllschacht.** Verarbeiten Sie jede Portion vollständig, bevor Sie eine neue hinzufügen.
- Lassen Sie den Entsafter nach Hinzugeben des letzten Stücks 30 Sekunden lang weiter laufen, damit aller Saft aus der Filtertrommel läuft.

Wichtig

- Wenn der Entsafter zu vibrieren beginnt, Gerät ausschalten, um Trester aus der Trommel zu entfernen. (Der Entsafter vibriert bei ungleichmäßig verteiltem Trester.)
- Sie können pro Arbeitsdurchgang maximal 800 g Obst oder Gemüse entsaften (siehe Geschwindigkeitstabelle).
- Bei einigen sehr festen Stücken kann Ihr Entsafter langsamer arbeiten oder stoppen. In diesem Fall das Gerät ausschalten und den Filter freilegen.
- Während des Entsaftens in regelmäßigen Abständen das Gerät ausschalten und den Tresterbehälter leeren.

Tipps

- Vor dem Entsaften Kerne und Samen (z. B. bei Paprika, Melonen, Pflaumen) und zähe Haut (z. B. bei Melonen oder Ananas) entfernen. Äpfel und Birnen brauchen nicht geschält oder entkernt zu werden.
- Möglichst festes, frisches Obst und Gemüse verarbeiten.
- Um die maximale Saftausbeute zu erzielen, jeweils kleine Mengen in den Füllschacht geben und den Stopfer langsam nach unten drücken.
- Zitrusfrüchte: Schale und weiße Haut entfernen, da der Saft ansonsten bitter schmecken könnte. Für beste Ergebnisse die Zitruspresse verwenden.

30 Zubehörkasten (wenn im Lieferumfang)

Ihre Küchenmaschine wird mit einem Aufbewahrungskasten für Ihre Arbeitsscheiben geliefert.

- 1 Die Scheiben im Zubehörkasten aufbewahren, wenn sie nicht verwendet werden 24.
- 2 Der Zubehörkasten ist mit einem Sicherheitsschloss versehen - zum Versperren den Deckel schließen. Zum Öffnen den Deckel hochklappen 25.

Pflege und Reinigung

- Das Gerät vor dem Reinigen immer ausschalten und den Netzstecker ziehen.
- **Die Messer und Schneidescheiben mit Vorsicht handhaben, sie sind extrem scharf.**
- Manche Zutaten können den Kunststoff verfärben. Dies ist völlig normal und hat keine Auswirkungen auf den Kunststoff oder den Geschmack Ihrer Zutaten. Mit einem in Pflanzenöl getauchten Tuch abreiben, um die Verfärbungen zu beseitigen.

Antriebseinheit

- Mit einem feuchten Tuch abwischen und abtrocknen. Sicherstellen, dass der Verriegelungsbereich frei von Lebensmittlrückständen ist.
- Antriebseinheit nicht in Wasser tauchen.
- Überschüssiges Kabel im Kabelfach auf der Rückseite der Antriebseinheit verwahren 26.

Mixer

- 1 Den Mixbecher entleeren und Messereinsatz abschrauben, indem Sie ihn auf die entriegelte Position 26 drehen und abnehmen. Den Messereinsatz zum Entfernen von unten herausdrücken.
- Vorsicht beim Herausnehmen des Messereinsatzes aus dem Sockel.
- 2 Den Mixbecher von Hand spülen.
- 3 Den Dichtungsring abnehmen und waschen.
- 4 Nicht die scharfen Messer berühren – in heißem Wasser und Spülmittel sauber bürsten und dann unter fließendem Wasser gründlich abspülen. **Messereinsatz nicht in Wasser tauchen.**
- 5 Das Teil umgedreht trocknen lassen.

Doppel-Schneebesen

- Die Schneebesen durch leichtes Ziehen vom Antriebskopf entfernen. In warmem Wasser und Spülmittel abwaschen.
- Antriebskopf mit einem feuchten Tuch abwischen und abtrocknen. **Den Antriebskopf nicht in Wasser tauchen.**

Zerkleinerer/Mahlaufsatz

- Die Messereinheit vom Mahlbehälter entfernen, indem Sie sie im Gegenuhrzeigersinn drehen.
- Den Behälter von Hand spülen.
- Nicht die scharfen Messer berühren – in heißem Wasser und Spülmittel sauber bürsten und dann unter fließendem Wasser gründlich abspülen. **Messereinsatz nicht in Wasser tauchen.**
- Das Teil umgedreht trocknen lassen.

Unterheb-Rührelement

- Das Rührelement durch Drücken der Freigabetaste vom Antriebskopf entfernen 29. In warmem Wasser und Spülmittel abwaschen.
- Antriebskopf mit einem feuchten Tuch abwischen und abtrocknen. **Den Antriebskopf nicht in Wasser tauchen.**

Filtertrommel

- Vorsicht beim Handhaben und Reinigen der Filtertrommel: Die Klingen am Filterboden sind sehr scharf.

Alle anderen Teile

- Von Hand spülen und abtrocknen.
- Diese Teile sind zudem spülmaschinenfest und können im oberen Fach Ihrer Spülmaschine gereinigt werden. Vermeiden Sie es, die Teile im unteren Gestell direkt über dem Heizelement zu platzieren. Wir empfehlen ein kurzes Programm bei niedriger Temperatur (maximal 50°C).

Teil	Für Spülmaschine geeignete Teile
Arbeitsschüssel, Mini-Schüssel, Deckel, Stopfer	✓
Schlagmesser, Knetwerkzeug	✓
Abnehmbare Antriebswelle	✓
Arbeitsscheiben	✓
Maxi-Abdeckscheibe	✓
Schneebesen/Unterheb-Rührelement-Elemente	✓
Den Antriebskopf nicht in Wasser tauchen	
Mixbecher, Deckel, Einfüllkappe	✓
Messereinsatz und Dichtung für Mixer	x
Entsafter	✓
Messereinheit für Zerkleinerer/Mahlaufsatz	x
Mahlbehälter	✓
Spatel	✓

Kundendienst und Service

- Ein beschädigtes Netzkabel muss aus Sicherheitsgründen von KENWOOD oder einer autorisierten KENWOOD-Kundendienststelle ausgetauscht werden.

• Sollten Sie irgendwelche Probleme mit Ihrer Küchenmaschine haben, ziehen Sie die Fehlerbehebung zu Rate, bevor Sie um technische Hilfe bitten.

Für Hilfe hinsichtlich:

- Verwendung Ihres Kenwood Gerätes
- Wartung oder Reparatur
- setzen Sie sich bitte mit Ihrem Händler in Verbindung, bei dem Sie das Gerät gekauft haben.
- Gestaltet und entwickelt von Kenwood GB.
- Hergestellt in China.



WICHTIGER HINWEIS FÜR DIE KORREKTE ENTSORGUNG DES PRODUKTS IN ÜBEREINSTIMMUNG MIT DER EG-RICHTLINIE 2002/96/EG

Am Ende seiner Nutzungszeit darf das Produkt NICHT mit dem Hausmüll entsorgt werden. Es muss zu einer örtlichen Sammelstelle für Sondermüll oder zu einem Fachhändler gebracht werden, der einen Rücknahmeservice anbietet. Die getrennte Entsorgung eines Haushaltsgeräts vermeidet mögliche negative Auswirkungen auf die Umwelt und die menschliche Gesundheit, die durch eine nicht vorschriftsmäßige Entsorgung bedingt sind. Zudem ermöglicht dies die Wiederverwertung der Materialien, aus denen das Gerät hergestellt wurde, was erhebliche Einsparungen an Energie und Rohstoffen mit sich bringt. Zur Erinnerung an die korrekte getrennte Entsorgung von Haushaltsgeräten ist das Gerät mit dem Symbol einer durchgestrichenen Mülltonne gekennzeichnet.

Fehlerbehebung

Problem	Ursache	Lösung
Die Küchenmaschine funktioniert nicht.	Kein Strom. Kein Strom/Betriebsanzeige leuchtet nicht. Schüssel nicht richtig auf Antriebseinheit angebracht. Schüsseldeckel nicht richtig eingerastet.	Prüfen, ob der Stecker der Küchenmaschine in der Steckdose steckt. Prüfen, ob Schüssel richtig aufgesetzt ist und Griff nach rechts weist. Prüfen, ob Deckelverriegelung im Griffbereich richtig eingerastet ist. Die Küchenmaschine funktioniert nicht, wenn Schüssel und Deckel nicht korrekt angebracht sind.
Kompakt-Zerkleinerer/Mahlaufsatz funktioniert nicht.	Kompakt-Zerkleinerer/Mahlaufsatz nicht richtig eingerastet. Kompakt-Zerkleinerer/Mahlaufsatz nicht richtig zusammengesetzt.	Kompakt-Zerkleinerer/Mahlaufsatz funktioniert nicht, wenn er falsch aufgesetzt wurde. Überprüfen, dass der Messereinsatz fest im Becher des Kompakt-Zerkleinerers/Mahlaufsatzes sitzt.
Mixer funktioniert nicht.	Mixer ist nicht richtig eingerastet. Mixer ist nicht richtig zusammengesetzt.	Mixer funktioniert nicht, wenn er falsch aufgesetzt wurde. Überprüfen, dass der Messereinsatz fest in den Becher eingeschraubt ist.
Gerät hält während des Arbeitsvorgangs an oder wird langsamer.	Überlastungsschutz wurde ausgelöst. Gerät ist überlastet oder im Betrieb zu heiß geworden. Höchstmengen wurden überschritten.	Ausschalten, Netzstecker ziehen und Gerät rund 15 Minuten abkühlen lassen. Die Höchstmengen sind in der Empfehlungstabelle angegeben.
Mixer Flüssigkeit tritt unten aus der Messereinheit aus.	Dichtung fehlt. Dichtung falsch eingesetzt. Dichtung beschädigt.	Prüfen, ob Dichtung korrekt eingesetzt und intakt ist. Für Informationen zum Kauf einer Ersatzdichtung siehe „Kundendienst und Service“.
Mixerdichtung befindet sich beim Auspacken nicht am Messereinsatz.	Die Dichtung ist ab Werk am Messereinsatz angebracht.	Becher abschrauben und prüfen, ob Dichtung an Messereinsatz befestigt ist. Für Informationen zum Kauf einer Ersatzdichtung siehe „Kundendienst und Service“.
Unzureichende Leistung von Werkzeugen/Zubehörteilen.	Siehe Tipps im relevanten Abschnitt „Verwendung des Zubehörs“. Prüfen, ob Zubehörteile richtig angebracht sind.	

Italiano

Si prega di aprire la prima pagina, al cui interno troverete le illustrazioni

sicurezza

- Leggere attentamente le presenti istruzioni e conservarle come futuro riferimento.
- Rimuovere la confezione e le etichette.
- Le lame e i dischi sono molto affilati: maneggiarli sempre con cura.
Tenere sempre la lama dall'appoggio per le dita in alto, mai dal filo di taglio, sia per maneggiarla che per pulirla.
- Non sollevare né trasportare il robot dal manico, che potrebbe rompersi e causare un infortunio.
- Rimuovere sempre la lama prima di svuotare il recipiente.
- Non inserire le mani o altri utensili nella vaschetta del robot da cucina e nella caraffa del frullatore se prima non si è tolta la spina dalla presa di corrente.
- Spegnerne l'apparecchio e togliere la spina dalla presa di corrente:
 - prima di montare o staccare qualunque componente;
 - se non in uso;
 - prima di pulire l'apparecchio.
- Non usare mai le dita per spingere gli alimenti nel tubo di riempimento. Servirsi sempre dell'apposito accessorio (pressatore).
- **Non inserire mai la lama sul corpo motore senza prima montare la caraffa del frullatore o il tritatutto/macinatutto.**
- Prima di togliere il coperchio del recipiente o del frullatore dal corpo motore:
 - spegnere l'apparecchio;
 - attendere che le parti accessorie o la lama si siano fermate completamente;
 - fare attenzione a non svitare la caraffa del frullatore o il tritatutto/macinatutto dal gruppo delle lame.
- **RISCALDAMENTO:** Lasciare raffreddare gli ingredienti caldi a temperatura ambiente prima di lavorarli nel frullatore.
- Non usare il coperchio per far funzionare l'apparecchio, ma servirsi sempre dell'interruttore di velocità on/off.
- **Questo apparecchio può venire danneggiato e provocare un infortunio esercitando forza eccessiva sul suo meccanismo di blocco.**
- **Scollegare sempre la spina del robot dalla presa quando non lo si utilizza.**
- Non utilizzare l'apparecchio con accessori non autorizzati.
- Non lasciare mai l'apparecchio incustodito dopo averlo acceso.
- Non usare mai un apparecchio danneggiato. Farlo controllare o riparare: vedere la sezione 'manutenzione e assistenza tecnica'.

- Non bagnare il motore, il cavo o la spina.
- Non lasciar pendere il cavo elettrico dal piano di lavoro e non lasciare che tocchi superfici calde.
- Non superare le capacità massime indicate nella tabella delle velocità consigliate.
- Sorvegliare i bambini, assicurandosi che non giochino con l'apparecchio.
- Questo apparecchio non dev'essere utilizzato dai bambini. Tenere apparecchio e cavo lontano dalla portata dei bambini.
- Gli apparecchi possono essere utilizzati da persone con ridotte capacità psicofisico-sensoriali, o con esperienza e conoscenze insufficienti solo nel caso in cui siano state attentamente sorvegliate e istruite da un responsabile su come utilizzare un apparecchio in modo sicuro e siano consapevoli dei pericoli.
- Utilizzare l'apparecchio solo per l'uso domestico per cui è stato realizzato. Kenwood non si assumerà alcuna responsabilità se l'apparecchio viene utilizzato in modo improprio o senza seguire le presenti istruzioni.
- L'uso incorretto del robot/frullatore può provocare infortuni.
- La potenza massima si basa sull'apparecchio usato al massimo. Altri apparecchi possono consumare meno corrente.
Vedere la sezione pertinente alla voce "uso degli accessori", per ulteriori avvertenze di sicurezza per ciascun accessorio.

come usare con sicurezza il frullatore

- **RISCALDAMENTO:** Lasciare raffreddare gli ingredienti caldi a temperatura ambiente prima di lavorarli nel frullatore.
- Fare sempre attenzione nel maneggiare le lame. Evitare di toccare il filo di taglio della lama durante la pulizia.
- Azionare il frullatore solo con il coperchio chiuso.
- Usare la caraffa solo con l'unità delle lame in dotazione.
- Non usare mai il frullatore a vuoto.
- A garanzia della durata del frullatore, non azionarlo continuamente per oltre 60 secondi.
- Ricette per gli smoothie – non frullare mai ingredienti solidificatisi dopo il congelamento; disgregarli prima di aggiungerli nella caraffa.
- Non miscelare più della quantità massima indicata - 1,5 litri.

come usare con sicurezza i dischi per affettare/grattugiare

- **Assicurarsi che il disco affilato si sia fermato completamente prima di rimuovere il coperchio.**
- **Maneggiare i dischi affilati con cautela in quanto sono estremamente taglienti**
- **Non riempire eccessivamente il recipiente – non superare la capacità massima indicata sul recipiente.**

avvertenze per l'uso di mini ciotola e lama

- Assicurarsi che la lama si sia fermata completamente prima di rimuovere il coperchio.
- Maneggiare la lama con cautela – è estremamente tagliente.

come usare con sicurezza il tritatutto/macinatutto

- Non montare mai l'unità delle lame sull'apparecchio senza prima aver installato la ciotola.
- Mai svitare la ciotola quando il tritatutto/macinatutto è montato sull'apparecchio.
- Non toccare le lame affilate. Tenere l'unità delle lame fuori della portata dei bambini.
- Mai rimuovere il tritatutto/macinatutto prima che le lame si siano completamente arrestate.
- Per garantire che il vostro tritatutto/macinatutto duri a lungo, mai farlo funzionare più di 60 secondi per volta. Spegnerlo non appena si raggiunge la consistenza desiderata.
- L'apparecchio non funziona se il tritatutto/macinatutto non è montato correttamente.
- Non utilizzare il tritatutto/macinatutto per tritare la curcuma, poiché si rischia di danneggiare la lama.

come usare con sicurezza lo spremitutto

- **Non utilizzare la centrifuga per frutta se il filtro è danneggiato.**
- Usare solamente lo spingitore in dotazione. Mai mettere le dita nel tubo di riempimento. Scollegare dalla presa elettrica prima di sbloccare il tubo di riempimento.
- Prima di rimuovere il coperchio, spegnere e attendere che il filtro si fermi.
- Non usare mai un accessorio danneggiato.

prima di collegare alla presa elettrica

- Accertarsi che la tensione della vostra rete sia la stessa di quella indicata sulla base dell'apparecchio.
- Questo apparecchio è conforme alla direttiva 2004/108/CE sulla Compatibilità Elettromagnetica, ed al regolamento (EC) No. 1935/2004 del 27/10/2004 sui materiali in contatto con alimenti.

prima di usare per la prima volta

- 1 Eliminare le protezioni in plastica dalla lama. **Fare attenzione: le lame sono molto affilate.** Le protezioni vanno gettate, in quanto servono solo a proteggere la lama durante la produzione e il trasporto.
- 2 Lavare i componenti – vedere la sezione 'cura & pulizia'.

legenda

robot

- ① corpo motore
- ② ciotola con alberino di rotazione
- ③ alberino motore rimovibile
- ④ coperchio
- ⑤ tubo di riempimento
- ⑥ pressini
- ⑦ dispositivi di blocco di sicurezza
- ⑧ controllo velocità/Pulse
- ⑨ spia di accensione
- ⑩ avvolgicavo (posteriore)

frullatore

- ⑪ tappo riempitore
- ⑫ coperchio
- ⑬ caraffa
- ⑭ anello di tenuta
- ⑮ unità lame
- ⑯ base

A – accessori standard

- ⑰ lama seghettata
- ⑱ lama impastatrice
- ⑲ maxi calotta
- ⑳ disco per affettare/grattugiare da 2mm

B – accessori aggiuntivi

Non tutti gli accessori elencati qui sotto sono in dotazione a ogni modello del robot da cucina. Gli accessori variano a seconda del modello. Per ulteriori informazioni o per ordinare accessori aggiuntivi, fare riferimento alla sezione "manutenzione e assistenza tecnica".

- ㉑ doppia frusta (se in dotazione)
- ㉒ disco per affettare/grattugiare da 4mm (se in dotazione)
- ㉓ disco per grattugiare extra sottile (se in dotazione)
- ㉔ disco per patatine fritte (se in dotazione)
- ㉕ spatola per la pasticceria (se in dotazione)
- ㉖ mini recipiente e lama (se in dotazione)
- ㉗ macinatutto (se in dotazione)
- ㉘ spremiagrumi (se in dotazione)
- ㉙ spremitutto (se in dotazione)
- ㉚ porta-accessori (se in dotazione)

uso del robot

- 1 Montare la ciotola sul corpo motore. Collocare la maniglia rivolta verso destra e ruotare in avanti ① finché si blocca.
- 2 Montare un accessorio sull'alberino motore della ciotola.
NB: L'alberino di rotazione amovibile ② deve essere montato ogni volta che si utilizzano i dischi, il mini recipiente, la frusta, la spatola per la pasticceria e lo spremiagrumi.
 - Prima di aggiungere gli ingredienti, assicurarsi sempre di montare la ciotola e l'accessorio sul robot da cucina.
- 3 Montare il coperchio assicurandosi che la parte superiore dell'alberino motore/l'accessorio si trovino al centro del coperchio ④.
● Il robot non funziona se la ciotola o il coperchio non sono montati correttamente sul dispositivo di sicurezza. Assicurarsi che il tubo di riempimento e la maniglia della ciotola si trovino sulla destra.
- 4 Attaccare la spina alla presa. Si accende la spia di accensione. Selezionare una delle seguenti opzioni: - Controllo velocità – selezionare manualmente la velocità desiderata (si rimanda alla tabella delle velocità raccomandate).
Pulse (Intermittenza) – Per lavorare ad intermittenza gli ingredienti, utilizzare il tasto Pulse (P). L'apparecchio continua a funzionare fino a quando il tasto rimane premuto.
- 5 A fine lavorazione, portare il controllo della velocità sulla posizione 'OFF' per spegnere l'apparecchio. (Allineare il controllo della velocità con la spia di accensione ⑨).
● Spegnere l'apparecchio ed estrarre sempre la spina dalla presa elettrica prima di togliere il coperchio.
importante
 - Questo apparecchio non è indicato per macinare caffè in grani o per ottenere zucchero a velo da zucchero granulato.

come utilizzare il frullatore

- 1 Inserire la guarnizione (14) nell'unità delle lame (15), assicurandosi che sia posizionata correttamente. **Se la tenuta è danneggiata o non è installata in modo corretto vi saranno perdite.**
- 2 Fissare il gruppo delle lame (19) sulla base (16).
- 3 Montare il gruppo delle lame sulla caraffa, facendo attenzione a stringerlo al massimo (4). Si rimanda all'immagine sotto la base del frullatore:

 - posizione sbloccata

 - posizione bloccata

Il frullatore non entra in funzione se non è stato installato in modo corretto.

- 4 Mettere gli ingredienti nella caraffa.
 - 5 Montare il tappo riempitore sul coperchio, poi collocare il coperchio sulla caraffa e girare in senso orario (5) per bloccare.
 - 6 Collocare il frullatore sul corpo motore e ruotare in senso orario (6) per fissarlo.
- **L'apparecchio non funziona se il frullatore non è inserito correttamente nel dispositivo di corpo motore.**
- 7 Selezionare una velocità (si rimanda alla tabella delle velocità consigliate) o utilizzare il tasto pulse.

suggerimenti

- Per fare la maionese, versare nel frullatore tutti gli ingredienti, tranne l'olio. Ora togliere il tappo di introduzione. Con l'apparecchio in funzione, aggiungere lentamente l'olio attraverso il foro sul coperchio.
- Nel caso di impasti molto densi, come paté e salse, potrebbe essere necessario staccare gli ingredienti dalle pareti della caraffa, usando la spatola. Se la lavorazione risulta difficoltosa, aggiungere più liquido.
- Per tritare il ghiaccio, premere il Tasto Pulse fino ad ottenere la consistenza desiderata.
- Non si consiglia di lavorare spezie in questo apparecchio, altrimenti si rischia di danneggiare le parti in plastica.
- Questo apparecchio non funziona se il frullatore è stato montato in modo incorretto.
- Per lavorare ingredienti secchi, tagliarli a pezzetti; togliere il tappo di introduzione, poi mentre il frullatore è già in funzione versarli uno alla volta nella caraffa. Tenere la mano sopra l'apertura. Per i migliori risultati, svuotare regolarmente la caraffa.
- Non usare il frullatore per conservare gli alimenti. Mantenerlo vuoto prima e dopo l'uso.
- Non miscelare più di 1,5 litri, meno per liquidi schiumosi come i frappé.

tabella delle velocità consigliate

utensile/accessorio	funzione	velocità raccomandata	tempo di lavorazione *	capacità massime
Lama	Miscela per dolci tutto in uno	Massima	15-20 sec.	Peso farina: 1,5Kg.
	Pasta frolla/sfoglia – miscelare burro e farina Aggiungere acqua per amalgamare gli ingredienti	Media – Massima	10 sec. 10-20 sec.	Peso farina: 340g
	Tagliare pesce e carne magra Paté e terrine	Massima	10-30 sec.	600g max. manzo magro
	Tagliare verdura	Tasto pulse	5-10 sec.	500g
	Tagliare frutta secca/noci	Massima	30-60 sec.	200g
	Passare frutta morbida, frutta e verdura cotta	Massima	10-30 sec.	1Kg.
	Salse, condimenti e creme	Massima	2 min. max.	800g
Maxi calotta	Minestre fredde	Iniziare a velocità bassa e passare a quella massima	30-60 sec.	1,5 l
	Frullati/pastelle		15-30 sec.	1 l
Doppia frusta	Albumi	Massima	60-90 sec.	6 (200g)
	Ova e zucchero per pan di Spagna senza grassi	Massima	4-5 min	3 (150g)
	Panna	Massima	30 sec.	500 ml
	Amalgamare grasso e zucchero	Massima	2 min. max.	200g grasso 200g zucchero
Lama per impastare	Miscela con lievito	Massima	60 sec.	Peso totale: 1Kg.
	Farina per pane bianco	Massima	60 sec.	Peso farina: 600g
	Farina per pane integrale	Massima	60 sec.	Peso farina: 500g
Spatola per la pasticceria	Panna montata e puree di frutta	Minima - Bassa	60 sec.	300g panna, 300g purea
	Lavorare albumi in miscele solide	Minima - Bassa	60 sec.	Peso totale: 600g
	Macarons	Minima - Bassa	60 sec.	Peso totale: 500g
Dischi per affettare sminuzzare	Alimenti di consistenza solida come carote, formaggio a pasta dura	Media – Massima	–	Non riempire oltre la capacità massima indicata sul ciotola
	Alimenti più soffici come cetrioli, pomodori	Minima – Media	–	
Disco per grattugiare	Parmigiano, patate per fagottini alla tedesca.	Massima	–	
Disco per patatine fritte	Taglia fine, per patatine sottili e ingredienti per pasticcini e salse (es. cetrioli, mele e pere).	Massima	–	
Frullatore	Liquidi e bevande freddi	Massima	15-30 sec.	1,5 l
	Minestre in brodo	Massima	30 sec.	1,2 l
	Minestre a base di latte	Massima	30 sec.	1 l
	RISCALDAMENTO: Lasciare raffreddare gli ingredienti caldi a temperatura ambiente prima di lavorarli nel frullatore.			
Mini recipiente e lama	Carne	Massima	20 sec + Tasto Pulse	200g manzo magro
	Tritare erbe	Massima	30 sec.	15g
	Tagliare frutta secca/noci	Massima	30 sec.	50g
	Maionese	Massima	30 sec.	2 tuorli 300g d'olio
	Puree	Massima	30 sec.	200g
Spremiagrumi	Alimenti più piccoli, come lime e limoni Frutta più grande, come arance e pompelmi	Minima - Bassa	–	1Kg
Spremitutto	Per spremere frutta e verdura di consistenza solida es. mele e carote	Massima	–	800 g mele 600 g di carote
	Per spremere frutta di consistenza morbida, come uva e pomodori	Massima	–	500 g
Macinatutto	Lavorare spezie Macinare caffè in grani	Massima Massima	30-60 sec. 30 sec.	50 g
	Tritare frutta secca	Tasto pulse	10 sec.	50 g
	Lavorare spicchi d'aglio, peperoncini freschi e radice di zenzero	Tasto pulse	10 sec.	30 g

* Queste sono solo indicazioni e possono variare in base alla ricetta e agli ingredienti lavorati.

utilizzare gli accessori

Si rimanda alla tabella delle velocità raccomandate per ogni accessorio.

17 lama

La lama è l'accessorio più versatile di tutti. La lunghezza della lavorazione determinerà la consistenza ottenuta. Per consistenze meno omogenee, utilizzare il Tasto Pulse. Utilizzare la lama per preparare torte e dolci, per macinare carne cotta e cruda, verdure, frutta secca, preparare salse, creme, zuppe cremose e sbriciolare biscotti e pane.

suggerimenti

- Prima di lavorare alimenti come carne, pane e verdura, tagliarli in cubetti di circa 2cm.
- Spezzettare i biscotti e aggiungerli attraverso il tubo di riempimento mentre l'apparecchio è in funzione.
- Nel preparare dolci, utilizzare burro appena tolto dal frigorifero, tagliato in cubetti da 2cm.
- Non esagerare con la lavorazione.

18 lama impastatrice

Utilizzare per impasti con lievito.

- Introdurre gli ingredienti secchi nella ciotola e aggiungere il liquido attraverso il tubo di riempimento mentre l'apparecchio è in funzione. Lavorare per 60 secondi fino a ottenere una palla di impasto omogenea ed elastica.
- Reimpastare solo a mano. Si sconsiglia di reimpastare nella ciotola per non compromettere la stabilità dell'apparecchio.

19 Maxi calotta

Nel lavorare liquidi all'interno del recipiente, utilizzare il Maxi calotta insieme alla lama, per evitare fuoriuscite e ottimizzare il rendimento della lama.

- 1 Montare il recipiente sul corpo motore.
- 2 Inserire la lama.
- 3 Aggiungere gli ingredienti da lavorare.
- 4 Montare il Maxi calotta sopra la lama, assicurandosi che poggi sul bordo all'interno del recipiente **10**. **Non fare pressione sul disco.**
- 5 Inserire il coperchio e accendere l'apparecchio.

21 doppia frusta (se in dotazione)

Utilizzare la doppia frusta per miscele leggere come albumi, panna, latte condensato e per mescolare uova e zucchero per pan di spagna senza grassi.

uso dello frusta

- 1 Inserire l'alberino motore rimovibile e la ciotola nel corpo motore.
- 2 Spingere ogni frusta **7** in modo sicuro nella testa dell'alberino.
- 3 Inserire la frusta facendola girare delicatamente sull'alberino motore fino a incastrarlo.
- 4 Aggiungere gli ingredienti.
- 5 Inserire il coperchio, accertandosi che la parte terminale dell'alberino sia infilata al centro del coperchio.
- 6 Accendere l'apparecchio.

importante

- **La frusta non è adatta a creare miscele per dolci tutto in uno, poiché tali miscele sono molto dense e potrebbero danneggiare le fruste. Utilizzare sempre la lama.**

suggerimenti

- I risultati migliori si ottengono quando le uova sono a temperatura ambiente.
- Accertarsi che la ciotola e la frusta siano pulite e prive di qualsiasi traccia di burro prima di azionarle.
amalgamare grassi e zucchero
- Per risultati ottimali, lasciare ammorbidire il grasso a temperatura ambiente (20°C) prima di lavorarlo. **NON usare grasso appena tolto dal frigorifero, per non danneggiare la frusta.**
- Ingredienti più pesanti come farina e frutta secca devono essere incorporati a mano.
- Non superare mai la capacità massima o il tempo di lavorazione indicati nella tabella delle velocità raccomandate.

dischi per affettare/sminuzzare

dischi per affettare/sminuzzare - 2mm **20**, 4mm **22**

Lato per sminuzzare: sminuzza formaggio, carote, patate e alimenti di consistenza simile.

Lato per affettare: affetta formaggio, carote, patate, cavolo, cetrioli, zucchine, barbabietola e cipolle.

disco per grattugiare extra sottile **23** (se in dotazione)

Grattugia parmigiano e patate per gnocchi di patate alla tedesca.

disco per patatine fritte **24** (se in dotazione)

Taglia fine, per patatine sottili e ingredienti per pasticci e salse (es. cetrioli, mele e pere).

sicurezza

- **Assicurarsi che il disco affilato si sia fermato completamente prima di rimuovere il coperchio.**
- **Maneggiare i dischi affilati con cautela in quanto sono estremamente taglienti**
- **Non riempire eccessivamente il recipiente - non superare la capacità massima indicata sul recipiente.**

uso dei dischi affilati

- 1 Inserire l'alberino motore rimovibile e la ciotola nel corpo motore.
- 2 Tenendolo per la presa centrale, inserire il disco sull'alberino di rotazione con il lato appropriato rivolto verso l'alto **11**.
- 3 Inserire il coperchio.
- 4 Inserire gli alimenti nel tubo di riempimento. Scegliere il tubo di riempimento della dimensione desiderata. Il pressino contiene un piccolo tubo di riempimento per lavorare cibi singoli o ingredienti fini. Per utilizzare il piccolo tubo di riempimento, per prima cosa inserire il pressino grande dentro al tubo di riempimento. Per utilizzare il tubo di riempimento grande, utilizzare entrambi i pressini insieme.

- 5 Accendere l'apparecchio ed esercitare una pressione uniforme con lo spingitore. **Non infilare le dita nel tubo di riempimento.**

suggerimenti

- Usare ingredienti freschi
- Non ridurre gli ingredienti in pezzi di dimensioni eccessivamente ridotte. Riempire il tubo più grande quasi fino al bordo. In tal modo si eviterà che i pezzi scivolino di lato durante la lavorazione. Oppure, utilizzare il piccolo tubo di riempimento.
- Per utilizzare il disco per le patatine fritte, inserire gli ingredienti orizzontalmente.
- Nell'affettare o grattugiare: gli alimenti inseriti in verticale 12 saranno tagliati in pezzi più corti di quelli inseriti in orizzontale 13.
- Dopo la lavorazione, rimarrà sempre un certo quantitativo di residui sul disco o nella ciotola.

25 spatola per la pasticceria (se in dotazione)

Usare la spatola per la pasticceria per aggiungere ingredienti leggeri nelle miscele più dense, come meringhe, mousse e 'dessert a base di dolci al cucchiaino).

- 1 Inserire l'alberino motore rimovibile e la ciotola nel corpo motore.
- 2 Spingere la pala 8 per fissarla nell'alberino.
- 3 Montare la spatola per la pasticceria ruotandolo delicatamente fino a quando cade sull'alberino di rotazione.
- 4 Aggiungere gli ingredienti.
- 5 Montare il coperchio – assicurandosi che l'estremità dell'alberino si trovi al centro del coperchio.
- 6 **Selezionare velocità minima - bassa.**

rimuovere la frusta

Staccare la frusta dall'alberino premendo il tasto di rilascio 9.

suggerimenti

- Non utilizzare la velocità elevata, poiché per un'incorporazione ottimale occorre la velocità bassa.
- Per risultati ottimali, non lavorare eccessivamente gli albumi o la panna – la spatola per la pasticceria non sarà in grado di mescolare correttamente se la miscela è troppo densa.
- Non mescolare la miscela più a lungo di quanto indicato nella tabella delle velocità raccomandate, poiché si rischia di togliere aria e la miscela potrebbe essere poco consistente.
- Gli ingredienti non mescolati o che restano sulle pale o sui lati del recipiente devono essere incorporati con cura usando la spatola.

26 mini ciotola e lama (se in dotazione)

Utilizzare la mini ciotola del robot per sminuzzare erbe e lavorare piccole quantità d'ingredienti, come carne, cipolle, frutta secca, maionese, verdura, puree, salse e cibo per bebè.

- Ⓐ mini lama
- Ⓑ mini ciotola

come usare il mini ciotola e la lama

- 1 Inserire l'alberino motore rimovibile e la ciotola nel corpo motore.
- 2 Montare la mini ciotola sull'alberino di rotazione rimovibile – assicurarsi che le parti scanalate siano allineate alle scanalature 14 sul ciotola principale.
NB: Il coperchio del ciotola principale non può essere montato se la mini ciotola non è fissato correttamente.
- 3 Collocare la lama sull'alberino di rotazione 15.
- 4 Aggiungere gli ingredienti da lavorare.
- 5 Inserire il coperchio e accendere l'apparecchio.

sicurezza

- Non rimuovere mai il coperchio prima che la lama si sia completamente fermata.
- La lama è molto affilata – maneggiare sempre con cura.

importante

- Non lavorare spezie – potrebbero danneggiare la plastica.
- Non lavorare cibi solidi come chicchi di caffè, cubetti di ghiaccio o cioccolato – potrebbero danneggiare la lama.

suggerimenti

- Le erbe si tritano meglio quando sono pulite e asciutte.
- Aggiungere sempre un po' di liquido nel lavorare ingredienti cotti per preparare cibo per bebè.
- Tagliare gli alimenti come carne, pane, verdure in cubetti di circa 1-2 cm prima di lavorarli.
- Nel preparare la maionese, aggiungere l'olio attraverso il tubo di riempimento.

27 macinatutto (se in dotazione)

Utilizzare il macinatutto per lavorare ingredienti come frutta secca o caffè in grani, o per tritare spezie come ad esempio:-

Pepe nero in grani, semi di cardamomo, semi di cumino, semi di coriandolo, semi di finocchio, radice di zenzero, spicchi d'aglio e peperoncini freschi.

- Ⓐ recipiente del macinatutto
- Ⓑ gruppo delle lame del macinatutto

per utilizzare il macinatutto.

- 1 Collocare gli ingredienti sopra il gruppo delle lame 20.
- 2 Montare il recipiente 21 e girare in senso orario per bloccare 16.
- 3 Collocare il macinatutto sopra il corpo motore e girare in senso orario per bloccare 17.
- 4 Selezionare una velocità o usare il tasto pulse (P).

sicurezza

- Non inserire mai la lama sul corpo motore del robot da cucina senza aver prima montato il recipiente.
- Non smontare il recipiente senza prima aver smontato il macinatutto.
- Non toccare le lame, sono molto affilate – Tenere le lame lontano dalla portata dei bambini.
- Assicurarsi che le lame si siano fermate completamente prima di rimuovere il macinatutto.
- Per garantire che il macinatutto duri più a lungo, mai farlo funzionare per più di 60 secondi alla volta. Spingere non appena raggiunta la consistenza desiderata.
- L'apparecchio non funziona se il macinatutto è stato montato in maniera scorretta.
- Non utilizzare il macinatutto per tritare la curcuma, poiché si rischia di danneggiare le lame.

suggerimenti

- Per garantire risultati ottimali nella lavorazione di spezie, è consigliabile non macinare più di 50 g alla volta.
- Le spezie intere mantengono l'aroma più a lungo rispetto a quelle macinate, quindi è consigliabile macinarne solo una minima quantità alla volta, per preservarne l'aroma.
- Affinché le spezie rilascino più aroma e oli essenziali possibile, è consigliabile arrostarle prima della macinatura.
- Tagliare le radici di zenzero in pezzi più piccoli prima di macinarle.
- Per ottenere risultati ottimali, è consigliabile usare la mini ciotola per la tritatura di erbe aromatiche.

28 spremiagrumi (se in dotazione)

Lo spremiagrumi è indicato per spremere arance, limoni, limoni verdi e pompelmi.

- Ⓐ cono
- Ⓑ filtro

per usare lo spremiagrumi

- 1 Montare l'alberino motore rimovibile e la ciotola sul corpo motore.
 - 2 Inserire il filtro nella ciotola, accertandosi che il manico del filtro sia bloccato in posizione direttamente sopra il manico del ciotola 18.
 - 3 Applicare il cono sull'alberino motore rimovibile , ruotando fino al completo inserimento 19.
 - 4 Tagliare il frutto a metà. Accendere e premere il frutto sul cono.
- **Lo spremiagrumi non funzionerà se il filtro non è bloccato correttamente.**
 - Per risultati ottimali conservare la frutta e spremerla a temperatura ambiente e far rotolare a mano su un piano di lavoro prima di spremere.
 - Per facilitare l'estrazione del succo, spostare il frutto da un lato all'altro durante la spremitura.
 - Nello spremere grandi quantità, svuotare regolarmente il colino per evitare che si accumulino troppa polpa e troppi semi.

29 spremitutto (se in dotazione)

Usare lo spremitutto per estrarre il succo da frutta e verdura di ferma consistenza.

sicurezza

- **Non utilizzare la centrifuga per frutta se il filtro è danneggiato.**
- Usare solamente il pressino in dotazione. Mai mettere le dita nel tubo di riempimento. Scollegare dalla presa elettrica prima di sbloccare il tubo di riempimento.
- Prima di rimuovere il coperchio, spegnere e attendere che il filtro si fermi.
- Mai utilizzare un accessorio danneggiato.

- Ⓐ pressino
- Ⓑ coperchio
- Ⓒ accessorio per rimuovere la polpa
- Ⓓ filtro

come usare la centrifuga per frutta

- 1 Montare la ciotola sul corpo motore 20.
 - 2 Collocare il dispositivo di rimozione della polpa nel filtro assicurandosi che le scanalature si incastrino in quelle della parte inferiore del filtro 21.
 - 3 Montare il filtro 22.
 - 4 Collocare il coperchio dell'accessorio sulla caraffa, ruotarlo fino a quando si fissa e assicurarsi che il tubo di riempimento poggi sopra la maniglia 23. **La centrifuga per frutta non funzionerà se la caraffa o il coperchio non sono montati correttamente nel dispositivo di blocco di sicurezza.**
 - 5 Tagliare gli ingredienti in modo che entrino nel tubo di riempimento.
 - 6 Accendere l'apparecchio e inserire gli ingredienti usando il pressatore - **non usare mai le dita per spingere gli ingredienti nel tubo di riempimento.** Attendere che il tubo di riempimento si sia svuotato prima di aggiungere ulteriori ingredienti.
- Dopo aver aggiunto l'ultimo pezzo, lasciare funzionare la centrifuga per frutta per altri 30 secondi, per estrarre tutto il succo dal filtro.

importante

- Se la centrifuga per frutta si mette a vibrare, spegnerla e svuotare la polpa. (La centrifuga per frutta vibra se la polpa è distribuita in modo non uniforme).
- È possibile lavorare un massimo di 800 g. di frutta o verdura alla volta (vedere la tabella delle velocità).
- Alcuni alimenti particolarmente duri possono rallentare la centrifuga o farla arrestare. Qualora ciò avvenga, spegnere e sbloccare il filtro.
- Spegnerla e pulire regolarmente il dispositivo di rimozione della polpa dopo l'uso.

suggerimenti

- Prima di iniziare, rimuovere noccioli e semi (come in peperoni, melone, prugne) e bucce dure (come melone, ananas). Non occorre sbucciare mele e pere, né togliere i semi.
- Usare frutta e verdura fresche e di ferma consistenza.
- Per massimizzare l'estrazione del succo, inserire pochi ingredienti alla volta nel tubo di riempimento e spingerli piano all'interno dell'apparecchio.

- Agrumi – sbucciare e togliere la scorza dell'albedo, per evitare che il succo abbia un sapore amaro. Per risultati ottimali, spremere gli agrumi con lo spremiagrumi.

30 porta-accessori (se in dotazione)

Il vostro robot da cucina è dotato di un porta-accessori per riporvi i dischi.

- 1 Riporre i dischi nel porta-accessori quando non vengono utilizzati 24.
- 2 Il porta-accessori è dotato di un sistema di sicurezza che si attiva nel chiudere il coperchio.
Per aprire, sollevare il coperchio 25.


cura e pulizia

- Spegnerne sempre e scollegare dalla rete prima di pulire.
- **Maneggiare le lame e i dischi affilati con cautela in quanto sono estremamente taglienti.**
- Alcuni alimenti possono scolorire la plastica. Ciò rientra nella norma e non danneggia la plastica né pregiudica il gusto degli alimenti. Sfregare con un panno imbevuto di olio vegetale per eliminare la macchia.

gruppo motore

- Pulire con un panno umido, quindi asciugare. Accertarsi che nell'area del meccanismo di sicurezza non ci siano residui di alimenti.
- Non immergere in acqua il corpo motore.
- Riporre la lunghezza in eccedenza del cavo nell'apposita rientranza dietro il corpo motore 26.

frullatore

- 1 Svuotare la caraffa, svitare l'unità delle lame ruotandola verso la posizione sbloccata  per staccarla. Poi rimuovere il gruppo delle lame spingendo da sotto.
 - Prestare attenzione nel rimuovere il gruppo lame dal corpo motore.
- 2 Lavare a mano la caraffa.
 - 3 Rimuovere e lavare la guarnizione.
 - 4 Non toccare le lame affilate - spazzolarle usando acqua calda saponata fino a quando non sono pulite, poi sciacquarle a fondo sotto il getto dell'acqua del rubinetto.

Non immergere mai il gruppo lame in acqua.

- 5 Lasciare asciugare in posizione capovolta.


doppia frusta

- Staccare le fruste dalla testa dell'alberino tirandole dolcemente per liberarle. Lavare con acqua tiepida e detergente.
- Strofinare la testa di azionamento con un panno umido, quindi asciugare. **Non immergere la testa di azionamento nell'acqua.**

macinatutto

- Rimuovere il gruppo delle lame dal recipiente girando in senso antiorario.
 - Lavare il recipiente a mano.
 - Non toccare le lame affilate - spazzolarle usando acqua calda saponata fino a quando non sono pulite, poi sciacquarle a fondo sotto il getto dell'acqua del rubinetto.
- Non immergere in acqua il gruppo delle lame.**
- Lasciare asciugare in posizione capovolta.

la spatola per la pasticceria

- Staccare la frusta dalla testa dell'alberino premendo il tasto di rilascio . Lavare con acqua tiepida e detergente.
- Strofinare la testa di azionamento con un panno umido, quindi asciugare. **Non immergere la testa di azionamento nell'acqua.**

portafiltro

- Le lame alla base del filtro sono molto affilate, fare attenzione nel maneggiare e pulire il filtro.

tutti gli altri componenti

- Lavare a mano, quindi asciugare.
- Alternativamente, è possibile lavarli in lavastoviglie, nel cestello superiore. Evitare di lavare i componenti nel cestello inferiore della lavastoviglie direttamente sopra l'elemento termico. Si consiglia un programma breve a bassa temperatura (massimo 50°C).

Componente	componente idoneo per lavaggio in lavastoviglie
ciotola principale, mini ciotola, coperchio, spingitore	✓
lame, Impastatore	✓
alberino di rotazione rimovibile	✓
dischi	✓
disco di capacità massima	✓
fruste/pala dell'la spatola per la pasticceria non immergere la testina di rotazione in acqua	✓
caraffa frullatore, coperchio, tappo riempitore	✓
unità lama e tenuta per frullatore	✗
spremitutto	✓
gruppo delle lame del macinatutto	✗
recipiente del macinatutto	✓
spatola	✓

manutenzione e assistenza tecnica

- In caso il cavo sia danneggiato, per ragioni di sicurezza deve esser sostituito solo dal fabbricante oppure da un Centro Assistenza KENWOOD autorizzato alle riparazioni.

- **Se il robot da cucina non dovesse funzionare correttamente, prima di telefonare al reparto assistenza leggere la seguente guida alla localizzazione dei guasti.**

Se si ha bisogno di assistenza riguardo:

- uso dell'apparecchio o
- manutenzione o riparazioni
- Contattare il negozio dove si è acquistato l'apparecchio.

- Disegnato e progettato da Kenwood nel Regno Unito.
- Prodotto in Cina.



IMPORTANTI AVVERTENZE PER IL CORRETTO SMALTIMENTO DEL PRODOTTO AI SENSI DELLA DIRETTIVA EUROPEA 2002/96/EC.

Alla fine della sua vita utile il prodotto non deve essere smaltito insieme ai rifiuti urbani.

Deve essere consegnato presso gli appositi centri di raccolta differenziata predisposti dalle amministrazioni comunali, oppure presso i rivenditori che offrono questo servizio.

Smaltire separatamente un elettrodomestico consente di evitare possibili conseguenze negative per l'ambiente e per la salute derivanti da un suo smaltimento inadeguato e permette di recuperare i materiali di cui è composto al fine di ottenere notevoli risparmi in termini di energia e di risorse.

Per rimarcare l'obbligo di smaltire separatamente gli elettrodomestici, sul prodotto è riportato il simbolo del bidone a rotelle barrato.

Guida alla localizzazione dei guasti

Problema	Causa	Soluzione
Il robot non funziona.	<p>Manca la corrente. Manca la corrente/la spia indicatrice è spenta.</p> <p>Ciotola non inserita correttamente sul corpo motore.</p> <p>Coperchio della ciotola inserito male.</p>	<p>Controllare che la spina dell'apparecchio sia inserita nella presa elettrica.</p> <p>Controllare che la ciotola sia ben inserita e che il manico sia rivolto verso destra.</p> <p>Verificare che il dispositivo di blocco del coperchio sia ben inserito nell'area del manico.</p> <p>Il robot non funziona se la ciotola e il coperchio non sono inseriti in modo corretto.</p>
Il tritatutto/macinatutto non funziona.	<p>Il tritatutto/macinatutto non si fissa correttamente.</p> <p>Il tritatutto/macinatutto non è montato correttamente.</p>	<p>Il tritatutto/macinatutto non funziona se non è montato correttamente sul dispositivo di sicurezza.</p> <p>Controllare che la lama sia fissata correttamente sulla vaschetta del tritatutto/macinatutto.</p>
Il frullatore non funziona.	<p>Il frullatore non è bloccato correttamente in posizione.</p> <p>Il frullatore non è montato correttamente.</p>	<p>Il frullatore non funziona se è montato in modo scorretto al dispositivo di sicurezza.</p> <p>Verificare che l'unità lame sia completamente fissata al bicchiere.</p>
Il robot si ferma o rallenta durante la lavorazione.	<p>Protezione da sovraccarico in funzione. Apparecchio sovraccarico o surriscaldato durante il funzionamento. Capacità massima superata.</p>	<p>Spegnere, togliere la spina dalla presa e lasciare raffreddare l'apparecchio per circa 15 minuti.</p> <p>Si rimanda alla tabella delle velocità raccomandate per le capacità massime da lavorare.</p>
Il frullatore perde dalla base della lama.	<p>Manca la tenuta. La tenuta è inserita male. La tenuta è danneggiata.</p>	<p>Controllare che la tenuta sia ben inserita e non abbia subito danni.</p> <p>Per ottenere una tenuta di ricambio, vedere la sezione "manutenzione e assistenza tecnica".</p>
La tenuta del frullatore non era presente sulla lama all'interno della confezione.	La tenuta è già montata al corpo motore.	<p>Svitare la caraffa e verificare che la tenuta sia montata sull'unità lame.</p> <p>Per ottenere una tenuta di ricambio, vedere la sezione "manutenzione e assistenza tecnica".</p>
Gli utensili/accessori danno scarse prestazioni.	Leggere i consigli nella sezione "Uso dell'accessorio". Controllare di aver montato correttamente gli accessori.	

Dansk

Fold forsiden med illustrationerne ud.

sikkerhed

- Læs denne brugervejledning nøje og opbevar den i tilfælde af, at du får brug for at slå noget op i den.
- Fjern al emballage og mærkater.
- Knive og skiver er meget skarpe og skal behandles forsigtigt. **Hold dem altid ved fingergrebet i toppen, bort fra skæret, både under brug og rengøring.**
- Løft eller bær ikke maskinen i håndtaget – det kan gå i stykker, hvilket kan medføre personskader.
- Tag altid kniven af, inden indholdet hældes ud af skålen.
- Stik aldrig hænder og køkkenredskaber ned i foodprocessorens skål eller i blenderglasset, mens de er tilsluttet strømforsyningen.
- Sluk og tag stikket ud af stikkontakten:-
 - inden dele sættes på eller tages af;
 - når apparatet ikke anvendes;
 - før rengøring.
- Brug aldrig fingrene til at stoppe maden ned i påfyldningstragten. Brug altid de(n) medfølgende nedstopper(e).
- **Sæt aldrig knivenheden på motorenheden uden at blenderglasset eller glasset til minihakkeren/kværnen er monteret.**
- Før skålens eller blenderens låg fjernes fra motorenheden:-
 - sluk maskinen;
 - vent til tilbehør/knive står helt stille;
 - pas på ikke at skrue blenderglasset af knivenheden.
- **SKOLDNINGSRISIKO:** Varme ingredienserr bør afkøle til stuetemperatur, før de blendes.
- Brug ikke låget til at betjene foodprocessoren - brug altid den kombinerede afbryder/hastighedsknap.
- **Maskinen bliver beskadiget, og du risikerer selv at komme til skade, hvis du prøver at omgå sikkerhedslåsen med magt.**
- **Træk altid stikket ud, når køkkenmaskinen ikke er i brug.**
- Brug aldrig uoriginalt tilbehør.
- Efterlad aldrig apparatet uden opsyn, når det er i drift.
- Brug aldrig en defekt maskine. Få den eftersat eller repareret: se under 'service og kundepleje'.
- Motorhus, ledning eller stik må aldrig blive våde.
- Lad ikke ledningen hænge ned over en bordkant, et skærebræt el.lign. Undgå, at den rører ved varme overflader.
- Overskrid ikke de maksimale mængder, der er angivet i tabellen over anbefalede hastigheder.

- Børn bør overvåges for at sikre, at de ikke leger med apparatet.
- Dette apparat må ikke anvendes af børn. Opbevar apparatet og ledningen utilgængeligt for børn.
- Apparater kan bruges af personer med reducerede fysiske, sansemæssige eller mentale evner, eller mangel på erfaring og kendskab, hvis de er blevet vejledt eller givet instrukser i brugen af apparatet på en sikker måde, og hvis de forstår de farer, der er involveret.
- Anvend kun apparatet til husholdningsbrug. Kenwood påtager sig intet erstatningsansvar, hvis apparatet ikke anvendes korrekt eller disse instruktioner ikke følges.
- Misbrug af foodprocessoren/blenderen kan føre til personskade.
- Den maksimale kapacitet er baseret på det tilbehør, der kræver den største belastning. Andet tilbehør kan kræve mindre strøm. Se det relevante afsnit om "brug af tilbehør" for yderligere sikkerhedsadvarsler for hvert enkelt tilbehør.

blendesikkerhed

- **SKOLDNINGSRISIKO:** Varme ingredienser bør afkøle til stuetemperatur, før de blendes.
- Vær altid forsigtig når du håndterer knivenheden og undgå at røre knivens skarpe dele under rengøring.
- Anvend kun blenderen, når låget sidder på.
- Brug kun glasset sammen med knivenheden der medfølger.
- Lad aldrig blenderen køre, når den er tom.
- Lad aldrig blenderen køre længere end 60 sekunder ad gangen for at sikre, at den holder længst muligt.
- Opskrifter på smoothies – Blend aldrig frosne ingredienser som har formet sig til en solid masse ved frysning. En sådan klump skal knuses, før den tilføres glasset.
- Blend aldrig mere end - 1,5 l.

snitte/rivepladesikkerhed

- **Tag aldrig låget af, før snittepladen står helt stille.**
- **Behandl skærepladerne forsigtigt - de er særdeles skarpe.**
- **Fyld ikke for meget i skålen – fyld ikke op over mærket for maks. kapacitet på skålen.**

miniskål og knivsikkerhed

- Tag aldrig låget af, før knivsbladet er standset helt.
- Knivsbladet er meget skarpt og skal altid håndteres forsigtigt.

minihakker/kværnsikkerhed

- Sæt aldrig knivenheden på maskinen, uden at glasset sidder på.
- Skru aldrig krukken løs, mens minihakkeren/kværnen sidder på køkkenmaskinen.
- Rør ikke ved de skarpe knive. Hold knivenheden væk fra børn.
- Minihakkeren/kværnen må aldrig tages af, før bladene er stoppet helt.
- Lad aldrig minihakkeren/kværnen køre længere end 60 sekunder ad gangen for at sikre, at den holder længst muligt. Sluk for maskinen, så snart konsistensen er rigtig.
- Maskinen kan ikke køre, hvis minihakkeren/kværnen sidder forkert.
- Der må ikke lægges gurkemejerod i minihakkeren/kværnen, da den er for hård og kan beskadige bladene.

saftpressersikkerhed

- **Saftpresseren må ikke bruges, hvis filtret er beskadiget.**
- Brug kun den medfølgende nedskubber. Stik aldrig fingrene ned i tilførselsrøret. Tag stikket ud, før der fjernes fastsiddende stykker i tilførselsrøret.
- Før låget fjernes, sluk for apparatet og vent til filteret standser.
- Brug aldrig beskadiget tilbehør.

før stikket sættes i stikkontakten

- Sørg for at elforsyningen svarer til, den der står på undersiden af motorenheden.
- Denne anordning er i overensstemmelse med EU-direktivet 2004/108/EF om elektromagnetisk forlidelighed og EU-regulativ nr.1935/2004 fra 27/10/2004 om materialer, der er beregnet til at komme i kontakt med fødevarer.

før ibrugtagning

- 1 Fjern plastovertræk fra knivene. **Pas på – knivene er meget skarpe.** Disse overtræk bør kasseres – de er kun beregnet til at beskytte knivene under produktion og transport.
- 2 Vask delene, se under 'pleje & rengøring'.

forklaring

processor

- ① motorenhed
- ② skål med drivaksel
- ③ aftagelig drivaksel
- ④ låg
- ⑤ påfyldningstragt
- ⑥ nedstopper
- ⑦ sikkerhedslåse
- ⑧ hastigheds-/impuls- funktionskontrol
- ⑨ indikationslys for tilsluttet strøm
- ⑩ ledningsopbevaring (bagpå)

blender

- ⑪ midterprop
- ⑫ låg
- ⑬ blenderglas
- ⑭ tætningsring
- ⑮ knivenhed
- ⑯ bund

A - standard tilbehør

- ⑰ kniv
- ⑱ dejredskab
- ⑲ plade til maks. kapacitet
- ⑳ 2 mm snitte/riveplade

B - tilbehør

Ikke alt tilbehør beskrevet nedenfor følger med din foodprocessor. Tilbehør afhænger af modeltypen. Find mere information om bestilling af tilbehør i afsnittet "service og kundepleje".

- ㉑ dobbelt piskeris (hvis medleveret)
- ㉒ 4 mm snitte/riveplade (hvis medleveret)
- ㉓ ekstrafin riveplade (hvis medleveret)
- ㉔ plade til pommes frites (hvis medleveret)
- ㉕ folderedskab (hvis medleveret)
- ㉖ miniskål og kniv (hvis medleveret)
- ㉗ kværn (hvis leveret) (hvis medleveret)
- ㉘ citruspresser (hvis medleveret)
- ㉙ saftpresser (hvis medleveret)
- ㉚ opbevaringsæske til tilbehør (hvis medleveret)

sådan bruges foodprocessoren

- 1 Sæt skålen på motorenheden. Vend håndtaget mod højre, og drej fremad ①, indtil den låser på plads.
- 2 Sæt et tilbehør ned over skålens drivaksel.
Bemærk: Aftagelig drivaksel ② skal sættes på, når der anvendes skiver, miniskål, piskeris, folderedskab og citruspresser.
- Sæt altid skål og tilbehør fast på maskinen, inden der fyldes ingredienser i.
- 3 Sæt låget på - se efter, at toppen af drivakslens/redskabet er på plads midt i låget ③.
- **Køkkenmaskinen kan ikke starte, hvis skål og låg er sat forkert på. Sørg for, at påfyldningstragten og skålens håndtag befinder sig på højre side.**
- 4 Sæt stikket i. Strømlampen tændes. Vælg en af følgende indstillinger:
Hastighedskontrol – vælg manuelt den ønskede hastighed. (Se tabellen over anbefalede hastigheder).
Impuls – brug impulsknappen (P) til korte perioder. Impulsen fungerer så længe kontrolknappen holdes på den indstilling.
- 5 Når maskinen har gjort arbejdet, drejes hastighedsreguleringen hen på slukket indstilling 'OFF' (Sæt hastighedsreguleringen ud for strømlampen ④).
- **Sluk altid for maskinen og træk stikket ud, inden låget fjernes.**
vigtigt
- Foodprocessoren egner sig ikke til at knuse eller male kaffebønner, eller til at lave stødt melis om til flormelis.

sådan bruges blenderen

- 1 Sæt tætningsringen (14) ind i knivenheden (15), og sørg for, at tætningen sidder korrekt. **Lækage kan opstå, hvis tætningsringen er beskadiget eller forkert monteret.**
- 2 Sæt knivenheden (15) ind i bunden (16).
- 3 Skru knivenheden på glasset, og sørg for at knivenheden er helt stram (4). Se grafikken på undersiden af motordelen således:

 - oplåst position

 - låst position

Blenderen vil ikke fungere, hvis den ikke er sat korrekt sammen.

- 4 Kom ingredienserne i blenderglasset.
 - 5 Sæt proppen på låget, sæt så låget på glasset og drej det med uret (5) for at låse.
 - 6 Sæt blenderen på motordelen, og drej med uret (6) for at låse.
- **Maskinen vil ikke fungere, hvis blenderen ikke er korrekt monteret på sikkerhedslåsen.**
- 7 Vælg en hastighed (se tabellen over anbefalede hastigheder) eller brug impulsknappen.

tips

- Til mayonnaise hældes alle ingredienserne, undtagen olien, i blenderen. Fjern midterproppen. Hæld langsomt olien ned gennem hullet i låget, mens maskinen kører.
- Tykke blandinger dvs. patéer og dips, skal evt. skrubes ned. Såfremt blandingen er vanskelig at tilberede tilføres der mere væde.
- Isk nusning – brug impulsfunktionen i korte træk indtil isen er knust til den ønskede konsistens.
- Det anbefales ikke, at der tilberedes krydderier i blenderen, da det kan skade plastikdelene.
- Maskinen kan ikke starte, hvis blenderen er sat forkert på.
- Til at blende tørre ingredienser – skær dem i mindre stykker, fjern midterproppen og kom stykkerne i ét ad gangen, mens maskinen kører. Hold hånden over åbningen. Tøm den regelmæssigt for det bedste resultat.
- Brug ikke blenderen som opbevaringsboks. Den skal være tom før og efter brug.
- Blend aldrig mere end 1,5 liter - mindre ved væsker der skummer, f.eks. milkshake.

tabel over anbefalede hastigheder

redskab/tilbehør	funktion	anbefalede hastighed	behandlingstid *	maximale mængder
Kniv	Alt i et kageblandinger	Maks.	15-20 sek.	1,5 kg melvægt
	Butterdej – blanding af fedtstof i mel Tilsætning af vand til blanding af ingredienser	Mid. – Maks.	10 sek. 10-20 sek.	340g melvægt
	Snitning af fisk og magert kød Postejer og and terriner	Maks.	10-30 sek.	600g maks. magert oksekød
	Snitning af grønsager	Impuls	5-10 sek.	500g
	Snitning af nødder	Maks.	30-60 sek.	200g
	Purering af bløde frugter, kogte frugter og grønsager	Maks.	10-30 sek.	1 kg
	Saucer, dressing og dips	Maks.	2 min. maks.	800g
Knivsblad med pladen til mask kapacitet	Kolde supper	Start med lav hastighed og	30-60 sek.	1,5 liter
	Milkshakes/pandekagedej o.l.	fortsæt til maksimum	15-30 sek.	1 liter
Dobbelt piskeris	Æggehvider	Maks.	60-90 sek.	6 (200g)
	Æg og sukker til sukkerbrødsdej	Maks.	4-5 min.	3 (150g)
	Fløde	Maks.	30 sek.	500 ml
	Sammenrøring af fedt og sukker til en krem	Maks.	2 min. maks.	200g fedt 200g sukker
Ælteredskab	Gærdeje	Maks.	60 sek.	1 kg samlede vægt
	Hvidt brødmel	Maks.	60 sek.	600g melvægt
	Fuldkornsbrødmel	Maks.	60 sek.	500g melvægt
Folderedskab	Piskefløde og frugtpuréer	Min. – Lav	60 sek.	300g fløde, 300g puré
	Æggehvider i tunge blandinger	Min. – Lav	60 sek.	600g samlede vægt
	Makroner	Min. – Lav	60 sek.	500g samlede vægt
Plader - snitte/rive	Faste madvarer, f.eks. gulerødder, faste oste	Mid. – Maks.	–	Fyld ikke op over mærket for maks. kapacitet på skålen
	Blødere madvarer, f.eks. agurker, tomater	Min. - Mid.	–	
Ekstrafi riveplade	Parmesanost, kartofler til tyske kartoffelfrikadeller	Maks.	–	
Plade til pommefrites	Skærer kartofler til tynde pommefrites og ingredienser til gryderetter og dip (f.eks. agurker, æbler og pærer).	Maks.	–	
Blender	Kolde væsker og drinks	Maks.	15-30 sek.	1,5 liter
	Fondbaserede supper	Maks.	30 sek.	1,2 liter
	Supper med mælk	Maks.	30 sek.	1 liter
	SKOLDNINGSRISIKO: Varme ingredienserr bør afkøle til stuetemperatur, før de blendes.			
Miniskl og kniv	Kød	Maks.	20 sek. + impuls	200g magert oksekød
	Snitning af urter	Maks.	30 sek.	15g
	Snitning af nødder	Maks.	30 sek.	50g
	Mayonnaise	Maks.	30 sek.	2 æg 300g olie
	Puréer	Maks.	30 sek.	200g
Citruspresser	Mindre ting dvs. lime og citroner Større frugter dvs. appelsiner og grapefrugter	Min. – Lav	–	1 kg
Saftpresser	Saftudvinding fra fast frugt og grøntsager f.eks. æbler og gulerødder	Maks.	–	800 g æbler 600 g gulerødder
	Saftudvinding fra bløde frugter, f.eks. vindruer og tomater	Maks.	–	500 g
Kværn	Maling af forskellige krydderier	Maks.	30-60 sek.	50 g
	Maling af kaffebønner	Maks.	30 sek.	
	Hakning af nødder	Impuls	10 sek.	50 g
	Maling af hvidløgsfed, friske chilipebre og ingefærrod	Impuls	10 sek.	30 g

* Dette er alene vejledende og vil variere afhængig af den opskriften og ingredienserne, der bruges.

brug af tilbehør

Se ovenstående oversigt vedr. hastighed for det enkelte tilbehør.

17 kniv

Kniven er den mest alsidige af alle tilbehørsdelene. Det er forarbejdningstiden, der bestemmer konsistensen. Brug start-/stop funktionen, hvis konsistensen skal være lidt grov. Kniven kan bruges til at lave kager og bagværk, hakke rått og tilberedt kød, grøntsager, nødder, pate, dip, til at pure suppe og også til at lave rasp af kiks og brød.

tips

- Skær madvarer som kød, brød, grøntsager ud i 2 cm tern, inden de forarbejdes.
- Kiks bør brækkes i mindre stykker og tilsættes gennem påfyldningstragten, mens maskinen kører.
- Til bagværk bruges fedtstoffet direkte fra køleskabet skåret i 2 cm tern.
- Pas på ikke at lade det køre for længe.

18 dejredskab

Anvendes til dejblandinger med gær.

- Læg de tørre ingredienser i skålen; tilsæt væsken gennem påfyldningstragten, mens maskinen kører. Lad maskinen køre, indtil der dannes en blød, smidig dejklump - dvs. 60 sekunder.
- Anden gang æltes kun i hånden. Det frarådes at ælte anden gang i skålen, da maskinen kan komme ud af balance.

19 plade til maks. kapacitet

Når der blendes væsker i skålen, skal man anvende pladen til maks. kapacitet sammen med knivsbladet. Det forebygger utætheder og forbedrer knivens snitteevne.

- 1 Sæt skålen på motordelen.
- 2 Sæt kniven på.
- 3 Tilsæt de madvarer, der skal forarbejdes.
- 4 Sæt kapacitetspladen ned over toppen af kniven, og sørg for, at den hviler på kanten indvendigt i skålen **10**. **Der må ikke trykkes ned på kapacitetspladen.**
- 5 Sæt låg på og tænd maskinen.

21 dobbelt piskeris (hvis medleveret)

Bruges til lette blandinger som f.eks. æggeghvider, fløde, kondenseret mælk samt til piskning af æg og sukker til sukkerbrødsdej.

brug af piskeris

- 1 Sæt skålen på motordelen og derpå den aftagelige drivaksel.
- 2 Skub begge ris **7** sikkert i into the drive head.
- 3 Sæt piskeren godt fast ved forsigtigt at dreje den, til den falder ned over drivakslen.
- 4 Tilsæt ingredienserne.
- 5 Sæt låg på - sørg for, at enden af akslen sidder i midten af låget.
- 6 Tænd maskinen.

vigtigt

- **Piskeriset egner sig ikke til at lave alt i et kageblandinger, da disse er for tunge og vil beskadiget det. Brug altid knivsbladet.**

tips

- Resultatet bliver bedst, hvis æggene har stuetemperatur.
- Sørg for, at skål og piskere er rene og frie for fedtstof, inden der piskes.

sammenrøring af fedt og sukker

- Det bedste resultat opnås ved at lade fedtet blive blødt ved rumtemperatur (20° C) før sammenrøring. **Der må IKKE bruges fedt lige fra køleskabet, da det vil beskadige piskeriset.**
- Tunge ingredienser som f.eks. mel og tørret frugt, skal folde i med håndkraft.
- Den maksimale kapacitet og forarbejdningstiden, der angives i tabellen over anbefalede hastigheder, må ikke overskrides.

snitte-/riveplader

vendbare snitte-/riveplader - 2mm **20**, 4mm **22**

Brug rive-siden til ost, gulerødder, kartofler og mad med lignende konsistens.

Brug snitte-siden til ost, gulerødder, kartofler, kål, agurk, squash, rødbeder og løg.

plade til ekstrafin rivning **23** (hvis medleveret)

River parmesanost og kartofler til tyske kartoffelfrikadeller.

plade til pommes frites **24** (hvis medleveret)

Skærer kartofler til tynde pommes frites og ingredienser til gryderetter og dip (f.eks. agurker, æbler og pærer).

sikkerhed

- **Tag aldrig låget af, før snittepladen står helt stille.**
- **Behandl skærepladerne forsigtigt - de er særdeles skarpe.**
- **Fyld ikke for meget i skålen - fyld ikke op over mærket for maks. kapacitet på skålen.**

brug af skærepladerne

- 1 Sæt skålen på motordelen og derpå den aftagelige drivaksel.
- 2 Hold pladen i grebet i midten, sæt den ned over drivakslen med den ønskede side opad **11**.
- 3 Sæt låget på.
- 4 Læg ingredienserne i påfyldningstragten. Vælg den størrelse påfyldningstragt, der skal bruges. Nedstopperen indeholder en mindre påfyldningstragt, der bruges til enkelte stykker eller tynde ingredienser. Hvis den lille påfyldningstragt skal bruges - sættes først den store nedstopper ned i påfyldningstragten. Hvis den store påfyldningstragt skal bruges - bruges begge nedstopper sammen.
- 5 Tænd maskinen og tryk jævnt med nedstopperen - **stik aldrig fingrene ned i påfyldningstragten.**

tips

- Brug friske madvarer
- Skær ikke ingredienserne i for små stykker. Ingredienserne må gerne have ca. samme størrelse som bredden af tilførselsrøret. Dette forhindrer ingredienserne i at glide ud til siden under blendning. I modsat fald bruges den lille påfyldningstragt.
- Når pommes frites-skiven bruges, anbringes ingredienserne vandret.
- Når der snittes eller rives: Fødevarer anbragt lodret **12** bliver kortere, end hvis de anbringes vandret **13**.
- Der vil altid være en lille smule spild på skiven og i skålen efter blendning.

25 folderedskab (hvis medleveret)

Brug folderedskabet til at folde lette ingredienser i tungere blandinger f. eks. marengs, mousse og frugtpuréer.

- 1 Sæt skålen på motordelen og derpå den aftagelige drivaksel.
- 2 Skub padlen **3** sikkert ned i drivhovedet.
- 3 Sæt forsigtigt folderedskabet på, indtil det falder ned over drivakslen.
- 4 Hæld ingredienserne i.
- 5 Sæt låget på – og sørg for, at enden af akslen sidder i midten af låget.
- 6 **Vælg min - lav hastighed.**

fjernelse af piskeriset

Tag piskerisene ud af drivhovedet ved at trykke på udløseren **9**.

tips

- Du må ikke bruge høj hastighed, da den lave hastighed er nødvendig for at opnå den bedste foldning.
- Det bedste resultat opnås ved ikke at piske æggehvinder eller fløde – folderedskabet vil ikke kunne folde blandingen korrekt, hvis den piskede blanding er for fast.
- Blandingen må ikke foldes i længere tid end angivet i tabellen over anbefalede hastigheder, da det vil slå luften ud, og blandingen vil blive for løs.
- Alle ublandede ingredienser tilbage på pden eller siderne af skålen skal foldes forsigtigt med spatlen.

26 miniskål og kniv (hvis medleveret)

Anvend mini-processorskålen til at hakke krydderurter og behandle små mængder ingredienser som f.eks. kød, løg, nødder, mayonnaise, grøntsager, puré, saucer og babymad.

- Ⓐ minikniv
- Ⓑ miniskål

sådan bruges miniskålen og -kniven

- 1 Sæt skålen på motordelen og derpå den aftagelige drivaksel.
- 2 Sæt miniskpelen ned over den aftagelige drivaksel – sørg for at det udskårne afsnit passer ud for styretapperne **14** på hovedskålen.
Bemærk: Hovedskålens låg kan ikke sættes på, hvis miniskålen ikke sidder rigtigt.
- 3 Sæt kniven ned over drivakslen **15**.
- 4 Hæld de ingredienser, der skal behandles.
- 5 Sæt låget på og tænd for maskinen.

sikkerhed

- Fjern aldrig låget, før kniven helt er holdt op med at dreje.
- Kniven er meget skarp – den skal altid behandles med forsigtighed.

vigtigt

- Behandl ikke krydderier – de kan beskadige plastikdelene.
- Behandl ikke hårde madvarer, f.eks. kaffebønner, isterninger og chokolade – da de kan beskadige kniven.

tips

- Det er bedst at hakke krydderurter, når de er rene og tørre.
- Tilsæt altid lidt væske, når der blendes kogte ingredienser til babymad.
- Skær madvarer som f.eks. kød, brød, grøntsager i terninger på ca. 1-2 cm før bearbejdningen.
- Når der laves mayonnaise, skal olien tilsættes gennem tilførselsrøret.

27 kværn (hvis leveret)

Brug kværnen til at hakke tørre ingredienser som f.eks. nødder eller kaffebønner og til at male krydderier som f.eks.: Sorte peberkorn, kardemommefrø, kommenfrø, korianderfrø, fennikelfrø, frisk ingefærrod, hvidløgsfed og friske chilipebre.

- Ⓐ kande til kværn
- Ⓑ knivenhed til kværn

sådan bruges kværnen.

- 1 Læg ingredienserne i knivenheden **6**.
- 2 Sæt kanden **Ⓐ** på, og drej mod uret for at lukke **16**.
- 3 Sæt kværnen på motorenheden, og drej i urets retning for at låse **17**.
- 4 Vælg en hastighed eller brug impulsknappen (P).

sikkerhed

- Sæt aldrig knivenheden på køkkenmaskinen uden kanden monteret.
- Skru aldrig kanden løs, mens kværnen sidder på maskinen.
- Rør ikke ved de skarpe knive – Opbevar knivenheden utilgængelig for børn.
- Kværnen må aldrig tages af, før knivene er stoppet helt.
- Lad aldrig kværnen køre længere end 60 sekunder ad gangen for at sikre, at den holder længst muligt. Sluk for maskinen, så snart konsistensen er rigtig.
- Maskinen kan ikke køre, hvis kværnen er forkert sat på.
- Der må ikke lægges gurkemejerod i kværnen, da den er for hård og kan beskadige knivene.

tips

- Det bedste resultat, når man maler krydderier, opnås ved ikke at male mere end 50 g ad gangen i kværnen.
- Hele krydderier bibeholder deres aroma meget længere end malede krydderier, så det er bedst at male en lille mængde friske krydderier ad gangen for at bibeholde aromaen.
- Det er bedst at riste hele krydderier før de males, for at frigøre den maksimale aroma og essentielle olier.
- Skær ingefær i små stykker før de males.
- Det anbefales at mini-skålen monteres, når der hakkes krydderurter.

28 citruspresser (hvis medleveret)

Brug citruspresseren til at presse saften ud af citrusfrugter (f.eks. appelsiner, citroner, lime og grapefrugter).

- a) riflet kegle
- b) si

sådan bruges citruspresseren

- 1 Sæt skålen på motordelen og derpå den aftagelige drivaksel.
- 2 Sæt sien ned i skålen - sørg for, at siens håndtag låses på plads lige over håndtaget på skålen 18.
- 3 Sæt keglen ned over drivakslen og drej den, til den falder helt ned på plads 19.
- 4 Skær frugten midt over. Tænd for maskinen og tryk frugten ned over keglen.

• Citruspresseren kan ikke starte, hvis sien ikke er låst rigtigt fast.

- Det bedste resultat opnås ved at opbevare og presse frugt ved rumtemperatur og håndrulle dem på køkkenbordet før de presses.
- Bevæg frugten fra side til side, mens den presses for at udvinde mest mulig saft.
- Når der presses store mængder, skal siet tømmes regelmæssigt for at forebygge akkumulering af frugtkød og kerner.

29 saftpresser (hvis medleveret)

Brug den centrifugale saftpresser til at udvinde juice fra frugt og grøntsager.

sikkerhed

• Saftpresseren må ikke bruges, hvis filtret er beskadiget.

- Brug kun den medfølgende nedskubber. Stik aldrig fingrene ned i tilførselsrøret. Tag stikket ud, før der fjernes fastsiddende stykker i tilførselsrøret.
- Før låget fjernes, sluk for apparatet og vent til filteret standser.
- Brug aldrig beskadiget tilbehør.

- a) nedstopper
- b) låg
- c) frugtkødsfjerner
- d) filtercylinder

sådan bruges saftpresseren

- 1 Sæt skålen på motorenheden 20.
- 2 Placér frugtkødsfjerner i filtercylinderen, og sørg for, at tapperne sidder korrekt i hullerne på bunden af cylinderen 21.
- 3 Sæt filtertromlen 22 på.
- 4 Anbring tilbehørlåget på skålen, drej indtil det låser, og tilførselsrøret sidder over håndtaget 23. **Saftpresseren kan ikke køre, hvis skålen eller låget ikke sidder korrekt på sammenlåsningen.**
- 5 Skær maden ud så det passer ned i påfyldningstragten.
- 6 Tænd maskinen, og tryk jævnt med nedstopperen - **stik aldrig fingrene ned i påfyldningstragten.** Gør portionen helt færdig, før du hælder mere i.

- Når det sidste stykke er lagt i, skal du lade saftpresseren køre yderligere 30 sekunder for at udvinde al saften fra filtertromlen.

vigtigt

- Hvis saftpresseren begynder at vibrere, skal du slukke og tomme tromlen for frugtkød. (Saftpresseren vibrerer, hvis frugtkødet fordels uens).
- Den maksimale kapacitet der kan benyttes i processoren på én gang er 800 g frugt eller grøntsager (se tabellen med hastigheder).
- Visse meget hårde fødevarer kan få saftpresseren til køre langsommere eller standse. Hvis dette sker, skal du slukke og rense filtret.
- Sluk for saftpresseren og rens filteret jævnligt under brug.

tips

- Før frugten/grøntsagerne kommer i, fjernes sten og kerner (f.eks. peberfrugt, meloner, blommer) og hård skræl (f.eks. meloner, ananas). Du behøver ikke at skrælle æbler og pærer eller tage kernehuset ud.
- Brug faste, friske frugter og grøntsager.
- For at maksimere saftudvinding placeres små mængder ad gangen i påfyldningstragten og der skubbes langsomt ned.
- Citrusfrugter – skrælles, og de hvide trevler fjernes, ellers kan juicen smage bittert. For det bedste resultat anvendes citruspresseren.

30 opbevaringsbeholder til tilbehør (hvis medleveret)

Foodprocessoren leveres med en opbevaringsæske til pladerne.

- 1 Læg pladerne i opbevaringsæsken, når de ikke er i brug 24.
- 2 Opbevaringsæsken har en sikkerhedslås. Du skal blot lukke låget for at låse det. Åbnes ved at løfte låget 25.


pleje og rengøring

- Sluk altid for maskinen og tag stikket ud, inden den gøres ren.
- **Behandl kniv og snitteplader forsigtigt - de er særdeles skarpe.**
- Visse fødevarer misfarver plastdelene. Det er ganske normalt og skader ikke plastikken eller giver afsmag i maden. Misfarvninger kan fjernes ved at gnide dem med en klud dyppet i spiseolie.

motorenhed

- Aftørres med en fugtig klud; tør efter. Sørg for, at området omkring sikkerhedslåsen er fri for madrester.
- Nedsænk aldrig motorenheden i vand.
- Opbevar overskydende ledning i opbevaringsområdet på bagsiden af motorenheden 26.

blender

- 1 Tøm kanden, skrue kniven løs ved at dreje hen på oplåst position  or at løsøre den. Tag så knivenheden af ved at skubbe op nedenfra.
- Vær forsigtig, når knivenheden tages af bunden.
- 2 Vask glasset i hånden.
- 3 Fjern og vask pakningen.
- 4 Rør ikke ved de skarpe knive – børst dem rene med varmt sæbevand og skyl grundigt under vandhanen. **Kom ikke knivenheden i vand.**
- 5 Vendes på hovedet til tørring.

dobbelt piskeris

- Tag piskerisene ud af drivhovedet ved forsigtigt at trække den fri. Vaskes i varmt sæbevand.
- Aftør piskerdrevet med en fugtig klud; tør efter. **Piskerens drivhoved må ikke sænkes ned i vandet.**

kværn

- Fjern knivenheden fra kanden ved at dreje i retning mod uret.
- Vask kanden i hånden.
- Rør ikke ved de skarpe knive – børst dem rene med varmt sæbevand, og skyl grundigt under vandhanen. **Kom ikke knivenheden i vand.**
- Lad den tørre vendt på hovedet.

folderedskab

- Tag piskerisene ud af drivhovedet ved at trykke på udløseren . Vaskes i varmt sæbevand.
- Aftør piskerdrevet med en fugtig klud; tør efter. **Piskerens drivhoved må ikke sænkes ned i vandet.**

filtertromle

- Knivsbladene på bunden af filtertromlen er meget skarpe, vær forsigtig, når du håndterer og rengør tromlen.

alle andre dele

- Vaskes i hånden og tørres af.
- Alternativt kan de vaskes på øverste stativ i opvaskemaskinen. Undgå at placere delene på det nederste stativ direkte over varmeelementet. Et kort program med lav temperatur (maksimalt 50°C) anbefales.

service og kundepleje

- Hvis ledningen er beskadiget, skal den af sikkerhedsgrunde udskiftes af KENWOOD eller en autoriseret KENWOOD-reparatør.
- **Hvis du har problemer med at bruge foodprocessoren, skal du, før du henvender dig til forhandleren for at få hjælp, læse fejlfindingsvejledningen.**
 - Hvis du har brug for hjælp med:
 - at bruge apparatet eller
 - servicering eller reparation
 - skal du henvende dig i den forretning, hvor maskinen er købt.
 - Designet og udviklet af Kenwood i Storbritannien.
 - Fremstillet i Kina.



VIGTIG INFORMATION ANGÅENDE BORTSKAFFELSE AF PRODUKTET I OVERENSSTEMMELSE MED EU DIREKTIV 2002/96/EF.

Ved afslutningen af dets produktive liv må produktet ikke bortskaffes som almindeligt affald. Det bør afleveres på et specialiseret lokalt genbrugscenter eller til en forhandler, der yder denne service. At bortskaffe et elektrisk husholdningsapparat separat gør det muligt at undgå eventuelle negative konsekvenser for miljø og helbred på grund af uhensigtsmæssig bortskaffelse, og det giver mulighed for at genbruge de materialer det består af, og dermed opnå en betydelig energi- og ressourcebesparelse. Som en påmindelse om nødvendigheden af at bortskaffe elektriske husholdningsapparater separat, er produktet mærket med en mobil affaldsbeholder med et kryds.

Dele	Dele, der kan vaskes i opvaskemaskinen
hovedskål, miniskål, låg, skubber	✓
kniv, dejredskab	✓
aftagelig drivaksel	✓
plader	✓
plade til maks. kapacitet	✓
piskeris/folderedskabsblad Piskerens drivhoved må ikke sænkes ned i vand	✓
blenderglas, låg, midterprop	✓
knivenhed og tætning til blender	✗
saftpresser	✓
samling af knivenheden til kværnen	✗
kande til kværn	✓
dejskraber	✓

Fejlfindingsvejledning

Problem	Årsag	Løsning
Processoren fungerer ikke.	Ingen strøm. Ingen strøm/lysindikatoren er ikke tændt. Skålen er ikke sat korrekt på motorenheden. Låget til skålen er ikke låst rigtigt på.	Kontrollér, at foodprocessorens stik er sat i en stikkontakt. Sørg for at skålet er placeret korrekt, med håndtaget mod den højre side. Sørg for at lågets sikkerhedslås er placeret korrekt i håndtaget. Foodprocessoren kan ikke starte, hvis skål og låg er sat forkert på.
Minihakker/kværn fungerer ikke.	Minihakker/kværn låser ikke korrekt. Minihakker/kværn ikke samlet korrekt.	Minihakkeren/kværnen kan ikke fungere, hvis den ikke er sat korrekt på låsen. Se efter, at knivenheden sidder stramt på minihakkerens/kværnens krukke.
Blenderen fungerer ikke.	Blenderen er ikke låst korrekt fast. Blenderen er ikke samlet korrekt.	Blenderen ville ikke fungere, hvis den er sat forkert i låsen. Kontrollér, at knivenheden sidder helt stramt i blenderglasset.
Processoren stopper eller kører langsommere under forarbejdning.	Overbelastningsbeskyttelse aktiveret. Processor overbelastet eller overophedet under brug. Maks. kapacitet overskredet.	Sluk og tag stikket ud, så maskinen kan køle af i ca. 15 minutter. Se tabellen over anbefalede hastigheder for hvor store mængder, der kan forarbejdes.
Blenderen er utæt ved knivenhedens nederste del.	Der mangler en tætningsring. Tætningsringen er sat forkert på. Tætningsringen er beskadiget.	Kontrollér, at tætningsringen sidder rigtigt og ikke er beskadiget. Se "service & kundeservice" for at få erstattet tætningsringen.
Blendertætningen mangler fra knivenheden, når den tages ud af emballagen.	Tætningen pakkes allerede monteret på knivsenheden.	Skru glasset løst, og se efter, at tætningen er sat på knivenheden. Se "service & kundeservice" for at få erstattet tætningsringen.
Redskaber/tilbehør virker ikke rigtigt.	Se tips i afsnittet "Brug af tilbehør". Kontrollér, at tilbehøret er samlet og sat rigtigt på.	

Svenska

Vik ut främre omslaget med bilderna.

säkerhet

- Läs bruksanvisningen noggrant och spara den för framtida bruk.
- Avlägsna allt emballage och alla etiketter.
- Bladen och skivorna är mycket vassa. **Var försiktig! Håll alltid i greppet längst upp med eggen vänd bortåt när du hanterar eller rengör dem.**
- Lyft inte och bär inte matberedaren i handtaget – om du gör det kan handtaget gå sönder och orsaka skada.
- Ta alltid bort kniven innan du tömmer skålen.
- Stick inte ner händer eller redskap i skålen eller mixerkannan när kontakten är i.
- Stäng av den och dra ut sladden:-
 - innan du monterar eller tar bort delar;
 - när den inte används;
 - före rengöring.
- Använd aldrig fingrarna för att trycka ner bitar i matarröret. Använd alltid matarstaven (-arna) som levererades med matberedaren.
- **Montera aldrig bladenheten på drivenheten utan att mixerkannan eller den kompakta hackaren/kvarnen är monterad.**
- Tänk på följande innan du tar bort locket från skålen, mixerkannan eller hackaren/kvarnen från drivenheten: -
 - stänga av;
 - vänta tills tillbehören/knivbladen är helt stilla;
 - var försiktig så du inte skruvar bort mixerkannan eller den kompakta hackaren/kvarnen från bladenheten
- **RISK FÖR BRÄNSKADOR:** Låt alltid heta ingredienser svalna till rumstemperatur innan du mixar dem.
- Använd inte locket för att reglera matberedaren utan använd alltid hastighetsreglaget i av/på-vredet.
- **Denna apparat skadas och kan orsaka skada om låsmekanismen utsätts för alltför stor kraft.**
- **Lämna aldrig stickkontakten i uttaget när matberedaren inte används.**
- Använd endast tillbehör som är direkt avsedda för denna apparat.
- Lämna aldrig apparaten oövervakad när den är igång.
- Använd aldrig en skadad apparat. Se till att den undersöks eller repareras. se 'service och kundtjänst'.
- Låt aldrig strömenhet, sladd eller kontakt bli våta.
- Låt inte överflödiga sladd hänga ner över kanten på bordet eller arbetsbänken eller komma åt en het yta.

- Överskrid inte den maximala mängd som anges i tabellen med rekommenderade hastigheter.
- Barn får inte lov att leka med apparaten. Lämna dem inte ensamma med den.
- Denna maskin ska inte användas av barn. Håll maskinen och sladden utom räckhåll för barn.
- Maskinen kan användas av personer med begränsad fysisk eller mental förmåga eller begränsad känsel eller med bristande erfarenhet eller kunskap, om de övervakas eller får instruktioner om hur den ska användas på säkert sätt och förstår de medföljande riskerna.
- Använd apparaten endast för avsett ändamål i hemmet. Kenwood tar inte på sig något ansvar om apparaten används på felaktigt sätt eller om dessa instruktioner inte följs.
- Om du använder matberedaren/mixern på fel sätt kan det resultera i skada.
- Maxbedömningen baseras på det tillbehör som kräver störst effekt. Andra tillbehör kan vara mindre energikrävande.
Se relevant avsnitt under "använda tillbehören" för information om ytterligare säkerhetsvarningar för varje enskilt tillbehör

säkerheten med mixern

- **RISK FÖR BRÄNSKADOR:** Låt alltid heta ingredienser svalna till rumstemperatur innan du mixar dem.
- Var alltid försiktig när du hanterar bladenheten och undvik att röra vid bladens eggare vid rengöring.
- Använd mixern bara när locket sitter på.
- Använd endast bågaren med bladenheten isatt.
- Kör aldrig mixern när den är tom.
- För att mixern ska hålla så länge som möjligt bör du aldrig köra den längre än 60 sekunder.
- Recept på smoothies – mixa aldrig frusna ingredienser som har bildat en fast klump vid frysningen. Bryt sönder den innan du lägger den i bågaren.
- Överskrid aldrig maxkapaciteten på 1,5 liter.

skär/strimlingsskivorna

- **Ta aldrig av locket förrän skärskivan är helt stilla.**
- **Var försiktig när du hanterar skärskivorna – de är extremt vassa.**
- **Överfyll inte skålen – överskrid inte maxkapaciteten som är markerad på skålen.**

säkerheten med miniskål och kniv

- Ta aldrig bort locket förrän knivbladet har stannat helt.
- Knivbladet är mycket vasst. Hantera det med försiktighet.

säkerheten med den kompakta hackaren/kvarnen

- Montera aldrig bladen på maskinen utan att kannan är monterad.
- Skruva aldrig bort behållaren medan den kompakta hackaren/kvarnen sitter kvar på matberedaren.
- Vidrör inte de vassa bladen. Håll bladenheten utom räckhåll för barn.
- Ta aldrig bort den kompakta hackaren/kvarnen förrän bladen har stannat helt.
- Du kan se till att din kompakta hackare/kvarn håller längre om du inte kör den i mer än 60 sekunder i sträck. Stäng av så snart som du fått rätt konsistens.
- Maskinen fungerar inte om den kompakta hackaren/kvarnen inte är korrekt monterad.
- Mal inte gurkmejarot i den kompakta hackaren/kvarnen. Det är för hårt och kan skada bladen.

säkerheten med juicepressen

- **Använd inte juicepressen om filtret är skadat.**
- Använd bara den medföljande stöten. Stoppa aldrig fingrarna i matarröret. Dra ut kontakten innan du avlägsnar bitar som kört fast i matarröret.
- Koppla av råsaftcentrifugen och vänta tills filtret stannar innan du tar bort locket.
- Använd aldrig ett skadat tillbehör.

innan du sätter i stickkontakten

- Se till att nätspänningen hos dig motsvarar den som visas på apparatens undersida.
- Den här apparaten följer EU-direktiv 2004/108/EG om elektromagnetisk kompatibilitet och EU:s förordning nr 1935/2004 från 2004-10-27 om material som är avsedda för kontakt med livsmedel.

före användning

- 1 Ta bort plastskydden från knivbladet. **Observera att bladen är mycket vassa.** Dessa skydd bör slängas eftersom de endast är avsedda att skydda bladet under tillverkning och transport.
- 2 Diska delarna, "se skötsel och rengöring"

förklaring till bilder

matberedare

- ① drivenhet
- ② skål med drivaxel
- ③ borttagbar drivaxel
- ④ lock
- ⑤ matarrör
- ⑥ stötar
- ⑦ säkerhetslås
- ⑧ hastighets/momentanreglage
- ⑨ strömlampa
- ⑩ sladdförvaring (baktill)

mixer

- ⑪ påfyllningslock
- ⑫ lock
- ⑬ bägare
- ⑭ tättningsring
- ⑮ bladenhet
- ⑯ bas

A - standardtillbehör

- ⑰ knivblad
- ⑱ degverktyg
- ⑲ maxkapacitetsskiva
- ⑳ 2 mm skiva, skivning/rivning

B – extra tillbehör

Inte alla de nedan angivna tillsatserna följer med din matberedare. Vilka tillbehör som följer med är beroende på modellvarianten. För mer information eller för att beställa ytterligare tillbehör, se under "service och kundtjänst".

- ㉑ dubbel visp (om sådan medföljer)
- ㉒ 4 mm skiva, skivning/rivning (om sådan medföljer)
- ㉓ skiva för extrafrin rivning (om sådan medföljer)
- ㉔ pommes frites-skiva (om sådan medföljer)
- ㉕ nedvändare (om sådan medföljer)
- ㉖ miniskål och blad (om sådan medföljer)
- ㉗ kvarn (om sådan medföljer)
- ㉘ citruspress (om sådan medföljer)
- ㉙ juicepress (om sådan medföljer)
- ㉚ tillbehör förvaringsbox (om sådan medföljer)

använda matberedaren

- 1 Montera skålen på drivenheten. Placera handtaget mot höger sida och vrid framåt ① till den låses fast.

- 2 Montera en tillsats på skålens drivenhet.

Obs! Den löstagbara drivaxeln ② ska monteras när skivor, miniskål, visp, nedvändare och citruspress används.

- Sätt alltid skålen och tillbehöret på matberedaren innan du tillsätter ingredienserna.
- 3 Sätt på locket och se till att drivaxeln/tillsatsens övre ände kommer in i mitten på locket ③.

- **Matberedaren startar inte om skålen och locket inte är ordentligt fastlåsta. Kontrollera att matarröret och skålens handtag sitter på höger sida.**

- 4 Sätt i stickkontakten. Strömlampan tänds. Välj något av följande alternativ: –
Hastighetsreglering – välj manuellt önskad hastighet (titta på diagrammet över rekommenderade hastigheter).
Puls – använd pulsknappen (P) för korta stötar.
Pulskörningen pågår så länge reglaget är aktiverat.
- 5 När bearbetningen är klar ställer du hastighetsreglaget i läge "OFF", (rikta in hastighetsreglaget med strömlampan ④).

- **Stäng alltid av och koppla ur innan du tar bort locket.**

viktigt

- Matberedaren lämpar sig inte för att krossa eller mala kaffebönor eller göra strösocker till florsocker.

så här använder du den mixern

- 1 Montera tätningsringen ⑭ på bladenheten ⑮. Kontrollera att ringen är korrekt placerad. **Läckage kan uppstå om tätningsringen skadas eller sätts på felaktigt.**
- 2 Sätt på bladenheten ⑮ i basen ⑯.
- 3 Skruva fast knivsatsen på bågaren och se till att knivsatsen är ordentligt åtskruvad ④. Se bilderna på undersidan av basen med följande betydelse:

 – ej låst läge

 – låst läge

Mixern fungerar inte om den inte är korrekt monterad.

- 4 Lägg ingredienserna i bågaren.
 - 5 Placera påfyllningslocket i bågarens lock och vrid medurs ⑤ för att låsa.
 - 6 Placera mixern på drivenheten och vrid medurs för att låsa fast den ⑥.
- **Apparaten fungerar inte om mixern inte är korrekt fastlåst.**
- 7 Välj en hastighet (titta på diagrammet för rekommenderad hastighet) eller använd pulskontrollen.

tips

- När du gör majonnäs ska du lägga i alla ingredienserna utom oljan i mixern. Ta bort locket till påfyllningshålet. Håll därefter sakta i oljan genom hålet i locket medan apparaten är igång.
- Tjocka blandningar, t.ex. patéer och dipmixer kan behöva skrapas ned. Tillsätt mer vätska om blandningen är svår att bereda.
- Iskrossning – använd pulsen i korta stötar tills isen har krossats till önskad konsistens.
- Vi rekommenderar inte att kryddor bereds eftersom de kan skada plastdelarna.
- Apparaten fungerar inte om mixern sätts på felaktigt.
- Mixa torra ingredienser – skär i bitar, ta bort locket till påfyllningshålet och släpp ned bitarna en och en medan apparaten är igång. Håll handen över öppningen. Resultatet blir bäst om du tömmer apparaten med jämna mellanrum.
- Använd inte mixern som förvaringskärl. Håll den tom före och efter användning.
- Mixa aldrig mer än 1,5 liter - mindre för skummande vätskor som milkshake.

tabell med rekommenderade hastigheter

verktyg/tillsats	funktion	rekommenderad hastighet	bearbetnings-tid *	max mängder
Knivblad	Allt-i-ett, kakmix	Max	15-20 sek.	1,5Kg mjölvikt
	Pajdeg – finfördela fett i mjölet Tillsätta vatten till pajdegen	Med - max	10 sek. 10-20 sek.	340g mjölvikt
	Hacka fisk och magert kött Patéer och terriner	Max	10-30 sek.	600g Max magert kött
	Hacka grönsaker	Puls	5-10 sek.	500g
	Hacka nötter	Max	30-60 sek.	200g
	Puréa mjuk frukt, tillagad frukt och grönsaker	Max	10-30 sek.	1Kg
	Såser, dressing och dip	Max	2 minuter max	800g
Knivblad med maxkapacitetsskiva	Kalla soppor	Börja med låg hastighet och öka till max	30-60 sek.	1,5 liter
	Milkshake/smet		15-30 sek.	1 liter
Dubbel visp	Äggvita	Max	60-90 sek.	6 (200g)
	Ägg och socker till sockerkaka	Max	4-5 min.	3 (150g)
	Grädde	Max	30 sek.	500 ml
	Vispa upp matfett och socker	Max	2 minuter max	200g fett 200g socker
Degredskap	Jästdeg	Max	60 sek.	1Kg totalvikt
	Vetemjöl	Max	60 sek.	600g mjölvikt
	Fullkornsmjöl	Max	60 sek.	500g mjölvikt
Nedvändare	Vispa grädde och fruktprué	Min - låg	60 sek.	300g grädde, 300g purée
	Äggvitor i kraftiga blandningar	Min - låg	60 sek.	600g totalvikt
	Macarooner	Min - låg	60 sek.	500g totalvikt
Skivor - skivning/rivning	Fasta livsmedel såsom motor, hård ost	Med - max	–	Fyll aldrig mer än den maxkapacitet som anges på skålen.
	Mjukare livsmedel såsom gurka, tomat	Min – med	–	
Extrafin rivning	Parmesanost, potatis för tyska potatisklimpar	Max	–	
Pommes frites-skiva	Strimlar potatis för tunna pommes frites och ingredienser för grytor och dip (t.ex. gurka, äpple och päron).	Max	–	
Mixer	Kalla vätskor och drycker	Max	15-30 sek.	1,5 liter
	Buljongbaserade soppor	Max	30 sek.	1,2 liter
	Soppor med mjölk	Max	30 sek.	1 liter
	RISK FÖR BRÄNSKADOR: Låt alltid heta ingredienser svalna till rumstemperatur innan du mixar dem.			
Miniskål och kniv	Kött	Max	20 sek. + puls	200g magert kött
	Hacka örter	Max	30 sek.	15g
	Hacka nötter	Max	30 sek.	50g
	Majonnäs	Max	30 sek.	2 ägg 300g olja
	Puréer	Max	30 sek.	200g
Citruspress	Mindre frukter, dvs. lime och citroner	Min - låg	–	1Kg
	Större frukter, dvs. apelsiner och grapefrukt			
Juicepress	Fasta frukter och grönsaker t.ex. äpplen och morötter	Max	–	800 g äpplen 600 g morötter
	Mjuka frukter, t.ex. druvor och tomater	Max	–	500 g
Kvarn	Malning av många olika kryddor	Max	30-60 sek.	50 g
	Malning av kaffeböner	Max	30 sek.	
	Hacka nötter	Puls	10 sek.	50 g
	Bereda vitlöksklyftor, färsk chili och färsk ingefära	Puls	10 sek.	30 g

* Detta är enbart vägledande uppgifter och varierar beroende på exakt recept och vilka ingredienser som bearbetas.

använda tillsatserna

Se tabellen med rekommenderade hastigheter för de enskilda tillsatserna.

17 knivblad

Knivbladet är det mångsidigaste av alla tillsatserna. Hur länge du ska köra maskinen beror på vilken konsistens du vill ha.

För grövre konsistenser använder du pulsreglaget.

Knivbladet använder du för att blanda till kakdeg och pajdeg, hacka rått och kokt kött och råa och kokta grönsaker, hacka nötter, göra pastejer och dipsåser, puréa soppor och göra kex- och brödsmlur.

tips

- Skär livsmedel såsom kött, bröd och grönsaker i 2 cm tärningar innan de körs.
- Bryt kex i bitar och släpp ner dem i matningsröret medan maskinen går.
- För pajdeg ska matfettet tas direkt ur kylen, skuret i 2 cm tärningar.
- Var noga med att inte arbeta degen för mycket.

18 degverktyg

Används för jästdeg.

- Lägg de torra ingredienserna i skålen och håll ner vätska i matartuben medan maskinen går. Kör blandningen tills den blir till en jämn elastisk degklump. Det tar ca 60 sekunder.
- Gör den andra knådningen för hand. Att göra den andra knådningen i skålen är inte att rekommendera, eftersom matberedaren då kan bli ostadig.

19 maxkapacitetsskiva

När vätskor blandas i skålen måste maxkapacitetsskivan användas med knivbladet. Det förhindrar läckor och förbättrar bladets hackförmåga.

- 1 Montera skålen på drivenheten.
- 2 Montera knivbladet.
- 3 Tillsätt ingredienserna som ska köras.
- 4 Montera skivan över toppen på bladet och kontrollera att den vilar mot kanten inuti skålen **10**. **Tryck inte ned på skivan.**
- 5 Sätt på locket och koppla på.

21 dubbel visp (om sådan medföljer)

Använd för lätta blandningar som äggvitor, grädde, kondenserad mjölk samt för att vispa ägg och socker för fettfria sockerkakor.

använda vispen

- 1 Montera skålen på drivenheten och sätt på den borttagbara drivaxeln.
- 2 Tryck in båda visparna **7** ordentligt i drivenheten.
- 3 Montera vispen genom att vrida den försiktigt tills den faller ner över drivaxeln.
- 4 Tillsätt ingredienserna.
- 5 Sätt på locket – kontrollera att drivaxelns övre ände hamnar mitt i locket.
- 6 Slå på.

viktigt

- **Vispen är inte avsedd för allt-i-ett-kakmix eftersom sådan mix är för tung. Vispen kommer då att skadas. Använd alltid knivbladet.**

tips

- Du får bäst resultat om äggen har rumstemperatur.
- Se till att skål och vispar är rena och fria från fett innan du vispar.
- **vispa upp matfett och socker**
- För bästa resultat ska matfettet få mjukna i rumstemperatur (20 °C) innan det vispas. **ANVÄND INTE matfett direkt från kylen, det kommer att skada vispen.**
- Tyngre ingredienser som mjöl och torkad frukt ska vändas ned för hand.
- Fyll inte på mer än vad som anges som maxikapacitet och låt inte apparaten gå längre än den bearbetningstid som anges i diagrammet över rekommenderad hastighet.

skivnings/rivningsskivor

vändbara skivnings/rivningsskivor - 2mm **20**, 4mm **22**

Använd rivningssidan för ost, morötter, potatis och livsmedel med liknande konsistens.

Använd skivningskivan för ost, morötter, potatis, vitkål, gurka, zucchini, rödbetor och lök.

skiva för extrafin rivning **23** (om sådan medföljer)

River parmesanost och potatis till raggmunk

pommes frites-skiva **24** (om sådan medföljer)

Strimlar potatis för tunna pommes frites och ingredienser för grytor och dip (t.ex. gurka, äpple och päron).

säkerhet

- **Ta aldrig av locket förrän skärskivan är helt stilla.**
- **Var försiktig när du hanterar skärskivorna – de är extremt vassa.**
- **Överfyll inte skålen – överskrid inte maxkapaciteten som är markerad på skålen.**

använda skärskivorna

- 1 Montera skålen på drivenheten och sätt på den borttagbara drivaxeln.
- 2 Håll i handtaget i mitten och lägg skivan på drivaxeln med önskad sida uppåt 11.
- 3 Sätt på locket.
- 4 Lägg livsmedlen i matarröret.

Välj vilken storlek matarrör du ska använda. I stöten finns ett mindre matarrör för matning av enskilda eller tunna bitar.

För att använda det lilla matarröret – sätt den större stöten i matarröret.

För att använda det större matarröret – tryck ihop de båda stötarna.

- 5 Slå på matberedaren och tryck ner livsmedlen i jämn takt med matarstaven – **stoppa aldrig ner fingrarna i matarröret.**

tips

- Använd färska ingredienser.
- Skär inte i för små bitar. Fyll större delen av matarröret. Alternativt, använd det mindre matarröret.
- Ingredienserna ska placeras horisontellt när pommes frites-skäraren används.
- När du skivar eller river: livsmedel som placeras upprätt 12 blir kortare än livsmedel som placeras horisontellt 13.
- Det blir alltid lite skräp kvar på skivan eller i skålen efter bearbetningen.

25 nedvändare (om sådan medföljer)

Använd nedvändaren när du vill vända ned lättare ingredienser i tyngre blandningar som för maräng, mousse och fruktblandningar.

- 1 Montera skålen på drivenheten och sätt på den borttagbara drivaxeln.
- 2 Tryck in bladet 3 ordentligt i drivenheten.
- 3 Montera nedvändaren genom att vrida den tills den sjunker ned i drivaxeln.
- 4 Tillsätt ingredienserna.
- 5 Montera locket – kontrollera att änden på axeln sitter mitt på locket.
- 6 **Välj min - låg hastighet.**

så här tar du loss vispen

Ta loss vispen från drivenheten genom att försiktigt trycka på utmatningsknappen 9.

tips

- Använd inte hög hastighet eftersom låg hastighet krävs för bästa resultat.
- För bästa resultat ska du inte vispa äggvitor eller grädder för länge – nedvändaren kan inte röra om blandningen ordentligt om den är för fast.
- Kör inte nedvändaren längre än vad som anges i diagrammet över rekommenderad hastighet, annars försvinner luften ur blandningen och den blir för lös.
- Alla omixade ingredienser som är kvar på bladet eller på sidorna av skålen ska vändas ned omsorgsfullt med skrapan.

26 miniskål och kniv (om sådan medföljer)

Använd miniskålen för att hacka örtyddor och köra små mängder såsom kött, lök, nötter, majonnäs, grönsaker, puréer, såser och barnmat.

- Ⓐ miniblad
- Ⓑ miniskål

så här använder du miniskålen och kniven

- 1 Montera skålen på drivenheten och sätt på den borttagbara drivaxeln.
- 2 Montera miniskålen över den löstagbara drivaxeln – kontrollera att de utskurna delarna motsvarar låsflikarna 14 på huvudskålen.
Obs! Huvudskålens lock kan inte monteras om miniskålen inte är korrekt placerad.
- 3 Sätt knivbladet på drivaxeln 15.
- 4 Tillsätt ingredienserna som ska köras.
- 5 Sätt på locket och koppla på.

säkerheten

- Ta aldrig bort locket förrän knivbladet har stannat helt.
- Knivbladet är mycket vasst. Hantera det med försiktighet.

viktigt

- Kör inte kryddor. Då kan plasten skadas.
- Kör inte hårda livsmedel såsom kaffeböner, istärningar eller choklad. Då kan bladet skadas.

tips

- Örtkryddor hackas bäst om de är rena och torra.
- Tillsätt alltid lite vätska vid mixning av tillagade ingredienser till barnmat.
- Skär livsmedel såsom kött, bröd, grönsaker i 1-2 cm stora tärningar innan de körs.
- Häll oljan i matarröret för att göra majonnäs.

27 kvarn (om sådan medföljer)

Använd kvarnen till att hacka torra ingredienser som t.ex. nötter kaffeböner och till att mala kryddor som t.ex.: - svartpepparkorn, kardemummafrön, kumminfrön, korianderfrön, fänkålsfrön, färsk ingefära, vitlöksklyftor och färsk chili.

- Ⓐ behållare
- Ⓑ knivsats till kvarn

använda kvarnen.

- 1 Placera ingredienserna i knivsatsen 6.
- 2 Montera behållaren 7 och lås fast den genom att vrida den medurs 16.
- 3 Placera kvarnen på drivenheten och lås fast den genom att vrida den medurs 17.
- 4 Välj en hastighet eller använd pulsreglaget (P).

säkerhet

- Sätt aldrig bladenheten på din matberedare utan att behållaren är monterad.
- Skruva aldrig bort behållaren medan kvarnen är monterad på apparaten.

- Vidrör inte de vassa bladen. Håll bladenheten utom räckhåll för barn
- Ta aldrig bort kvarnen förrän knivbladet har stannat helt.
- Du kan se till att din kvarn håller längre om du inte kör den i mer än 60 sekunder i sträck. Stäng av så snart som du fått rätt konsistens.
- Maskinen fungerar inte om kvarnen inte är korrekt monterad.
- Mal inte gurkmejarot i den kvarnen. Det är för hårt och kan skada bladen.

tips

- För bäst resultat när du mal kryddor rekommenderar vi att du inte mal mer än 50 g åt gången i kvarnen.
- Hela kryddor behåller smaken mycket längre än malda. Därför är det bäst att bara mala den mängd du behöver för varje recept så att du bevarar smakerna.
- För att kryddorna ska avge så mycket smak och essentiella oljor som möjligt, bör du rosta dem innan du mal dem.
- Skär ingefära i små bitar innan du mal den.
- För bästa resultat bör du använda miniskålen när du hackar örter.

28 citruspress (om sådan medföljer)

Använd citruspressen för att pressa juice från citrusfrukter (t.ex. apelsiner, citroner, lime och grapefrukt).

- a) kon
- b) sil

använda citruspressen

- 1 Montera skålen på drivenheten och sätt på den borttagbara drivaxeln.
 - 2 Passa in silen i skålen – kontrollera att handtaget på silen är i låst läge, direkt ovanför handtaget på skålen 18.
 - 3 Sätt konen på drivaxeln och vrid runt tills den har gått hela vägen ner 19.
 - 4 Skär frukten i halvor. Slå sedan på apparaten och tryck frukten mot konen.
- **Citruspressen startar inte om silen inte är korrekt fastlåst.**
- För bäst resultat ska frukten förvaras och pressas i rumstemperatur och rullas för hand på en arbetsbänk innan den pressas.
 - Flytta frukthalvan från ena sidan till den andra under pressningen för att få ut all fruktsaften.
 - Om du pressar stora mängder juice ska du tömma silen regelbundet så att fruktkött och kärnor inte ansamlas sig.

29 juicepress av metall (om sådan medföljer)

Använd råsaftcentrifugen för att göra juice av fast frukt och fasta grönsaker.

säkerhet

● **Använd inte juicepressen om filtret är skadat.**

- Använd bara den medföljande stöten. Stoppa aldrig fingrarna i matarröret. Dra ut kontakten innan du avlägsnar bitar som kört fast i matarröret.
- Koppla av råsaftcentrifugen och vänta tills filtret stannar innan du tar bort locket.
- Använd aldrig ett skadat tillbehör.

- a) stöt
- b) lock
- c) avskiljare för fruktkött
- d) filtertrumma

så här använder du juicepressen

- 1 Montera skålen på drivenheten 20.
 - 2 Placera avskiljaren för fruktkött i filtertrumman och kontrollera att tungorna passar in i botten av trumman 21.
 - 3 Montera filtertrumman 22.
 - 4 Placera locket på skålen och vrid tills matarröret sitter över handtaget 23. **Det går inte att starta juicepressen om skålen eller locket inte låsts på plats korrekt.**
 - 5 Placera råvarorna så de fyller matarröret.
 - 6 Slå på och tryck ned jämnt med mataren – **stoppa aldrig ned fingrarna i matarröret.** Kontrollera att allt bearbetats innan du fyller på matarröret.
- När du har tillsatt den sista biten ska du låta tillbehöret gå i ytterligare 30 sekunder tills juicen slutar att droppa från filtertrumman.

viktigt

- Om juicepressen börjar vibrera stänger du av den och avlägsnar fruktköttet från trumman. (Juicepressen vibrerar om fruktköttet blir ojämnt fördelat.)
- Du kan maximalt bearbeta 800 g frukt eller grönsaker åt gången (titta på översikten över rekommenderad hastighet).
- Om bitarna är mycket hårda kan juicepressen gå långsamt eller stanna upp helt. Om det händer stänger du av maskinen och tömmer filtret.
- Stäng av och töm fruktköttsuppsamlaren regelbundet under användningen.

tips

- Innan du börjar ska du ta bort kärnor (t.ex. i paprikor, melon, plommon) och hår skal (t.ex. melon, ananas). Äpplen och päron behöver inte skalas eller kärnas ur.
- Använd fasta färska ingredienser.
- För att få ut så mycket juice som möjligt ska du bara fylla på små mängder åt gången i matarröret och trycka ned långsamt.
- Citrusfrukt – skala och avlägsna de vita hinnorna, annars kan juicen smaka bittert. Använd citronpressen för bästa resultat.

30 tillbehör, förvaringsbox (om sådan medföljer)

Matberedaren levereras med en förvaringsbox för tillbehör och skivor.

- 1 Placera skivorna i förvaringsboxen när du inte använder dem 24.
- 2 Förvaringsboxen har ett säkerhetslås – stäng locket när du vill låsa det. Öppna genom att lyfta på locket 25.

skötsel och rengöring

- Stäng alltid av matberedaren och dra ur kontakten innan du rengör den.
- **Hantera kniv och skärskivor försiktigt - de är extremt vassa.**
- Vissa livsmedel kan missfärga plasten. Detta är helt normalt. Plasten skadas inte, och mat som du lagar senare påverkas inte heller på något sätt. Om du gnuggar med en trasa doppad i vegetabilisk olja försvinner missfärgningen.

strömenhet

- Torka med fuktig trasa och torka sedan torrt. Kontrollera att det inte finns några matrester nära låsmekanismen.
- Sänk inte ned nätenheten i vatten.
- Linda upp sladden i förvaringsutrymmet på strömdelens baksida 26.

mixer

- 1 Töm bågaren och skruva loss knivsatsen genom att vrida den till upplåst läge 27 för att frigöra den. Ta sedan bort knivenheten genom att trycka uppåt från undersidan.
- Var försiktig när du tar bort bladenheten från basen.
- 2 Diska bågaren för hand.
- 3 Ta ut och diska tätningsringen.
- 4 Vidrör inte de vassa bladen - borsta dem rena med varmt vatten och diskmedel och skölj sedan noga under kranen.

Doppa inte bladenheten i vatten.

- 5 Låt torka upp och ned.

dubbel visp

- Ta loss visparna från drivenheten genom att försiktigt dra i dem. Diska i varmt vatten med diskmedel.
- Torka av drivhuvudet med fuktig trasa och torka sedan torrt.

Doppa aldrig ner drivhuvudet i vatten.

kvarn

- Ta bort bladenheten från behållaren genom att vrida den moturs.
- Tvätta behållaren för hand.
- Vidrör inte de vassa bladen - borsta dem rena med varmt vatten och diskmedel och skölj sedan noga under kranen.

Doppa inte bladenheten i vatten.

- Låt torka upp och ned.

nedvändare

- Ta loss vispen från drivenheten genom att försiktigt trycka på utmatningsknappen 28. Diska i varmt vatten med diskmedel.
- Torka av drivhuvudet med fuktig trasa och torka sedan torrt.

Doppa aldrig ner drivhuvudet i vatten.

filtertrumma

- Knivbladen vid filtertrummans bas är mycket vassa. Var försiktig när du rengör trumman.

alla övriga delar

- Diska för hand och torka.
- Alternativt kan de diskas i den övre korgen i diskmaskinen. Undvik att placera dem i den nedre korgen direkt ovanför värmelementet. Ett kort program med låg temperatur (maximalt 50°C) rekommenderas.

komponent	komponenter som kan diskas i diskmaskin
huvudskål, miniskål, lock, matare	✓
knivblad, degverktyg	✓
löstagbar drivaxel	✓
skivor	✓
maxkapacitetsskiva	✓
vispar/nedvändare	✓
doppa inte drivhuvudet i vatten.	
bägare, lock, påfyllningslock	✓
knivsats och tätning för mixer	x
juicepress	✓
knivsats till kvarn	x
behållare till kvarn	✓
spatel	✓

service och kundtjänst

- Om sladden är skadad måste den av säkerhetsskäl bytas ut av KENWOOD eller av en auktoriserad KENWOOD-reparatör.
- **Om du har några problem med användningen av din matberedare ber vi dig läsa denna felsökningsguide innan du ringer och anmäler felet.**
 - Om du behöver hjälp med:
 - att använda apparaten eller
 - service eller reparationer
 - Kontakta återförsäljaren där du köpte apparaten.
 - Konstruerad och utvecklad av Kenwood i Storbritannien.
 - Tillverkad i Kina.



VIKTIG INFORMATION FÖR KORREKT BORTSKAFFNING AV PRODUKTEN I ÖVERENSSTÄMMELSE MED EU-DIREKTIV 2002/96/EG.

När produktens livslängd är över får den inte slängas i hushållssoporna. Den kan överlämnas till lokala myndigheters avfallssorteringscentraler eller till en återförsäljare som ger denna service.

När du avfallshanterar en hushållsmaskin på rätt sätt undviker du de negativa konsekvenser för miljön och hälsan som kan uppkomma vid felaktig avfallshandling. Du möjliggör även återvinning av materialen vilket innebär en betydande besparing av energi och tillgångar.

Felsökningsguide

Problem	Orsak	Lösning
Matberedaren fungerar inte.	Ingen ström. Ingen ström-/indikatorlampa tänd. Skålen har inte satts på på nätenheten på rätt sätt. Skålens lock är inte låst på rätt sätt.	Kontrollera att matberedaren är ansluten till strömmen. Kontrollera att skålen sitter rätt och att handtaget sitter mot höger sida. Kontrollera att locket låser korrekt i handtagsområdet. Matberedaren fungerar inte om skålen och locket sätts på felaktigt.
Den kompakta hackaren/kvarnen fungerar inte.	Den kompakta hackaren/kvarnen är inte ordentligt fastlåst. Den kompakta hackaren/kvarnen är rätt monterad.	Den kompakta hackaren/kvarnen fungerar inte om den inte sitter rätt i förreglingen. Kontrollera att bladenheten är tillräckligt hårt påskruvad på behållaren till den kompakta hackaren/kvarnen.
Mixern fungerar inte.	Mixern är inte låst på rätt sätt. Mixern är inte korrekt monterad.	Mixern fungerar inte om den inte har monterats korrekt på låset. Kontrollera att knivsatsen är tillräckligt hårt påskruvad i bågaren.
Apparaten går stannar eller går långsamt under bearbetningen.	Överbelastningsskyddet aktiverat. Drivenheten överbelastad eller överhettad under drift. Maximal kapacitet har överskridits.	Stäng av, dra ut kontakten och låt apparaten svalna i cirka 15 minuter. Titta på hastighetsdiagrammet för information om hur stora mängder som kan bearbetas.
Mixern läcker från bladenhetens bas.	Tätningsskivan saknas. Tätningsskivan sitter inte rätt. Tätningsskivan skadad.	Se till att tätningsskivan sitter rätt och att den inte är skadad. Se "service och kundtjänst" om du behöver en ny tätningsskiva.
Mixertätning saknas på knivsatsen när den packas upp.	Tätningen är förmonterad på knivsatsen.	Skruva loss bågaren och kontrollera att tätningen är monterad på knivsatsen. Se "service och kundtjänst" om du behöver en ny tätningsskiva.
Verktygen/tillsatserna fungerar inte som de ska.	Se tipsen i motsvarande avsnitt "Använda tillsatser". Se till att tillsatserna har satts ihop ordentligt.	

Norsk

Brett ut framsiden med illustrasjoner

sikkerhet

- Les nøye gjennom denne bruksanvisningen og ta vare på den slik at du kan slå opp i den senere.
- Fjern all emballasje og eventuelle merkesedler.
- Bladene og platene er veldig skarpe. **Vær forsiktig. Hold alltid i fingergrepet øverst, unna skjærekanten, både ved bruk og rengjøring.**
- Ikke løft eller bær prosessoren i håndtaket. Det kan knekke og føre til skader.
- Ta alltid ut kniven før du tømmer bollen.
- Hold hender og verktøy unna prosessorbollen og mosebegeret mens strømmen er koblet til.
- Slå av strømmen og ta støpselet ut av kontakten:
 - før du setter på eller tar av deler;
 - når den ikke er i bruk;
 - før rengjøring.
- Bruk aldri fingrene til å skyve ingrediensene ned i påfyllingstrakten. Bruk alltid stapperne som følger med maskinen.
- **Ikke sett knivenheten på strømenheten uten at mikserglasset eller den kompakte hakkeren/kvernen sitter på.**
- Før du fjerner lokket fra bollen eller mikseren eller den kompakte hakkeren/kvernen fra strømenheten:-
 - slå av maskinen;
 - vente til ekstrautstyret/stålkniven har stoppet helt opp;
 - vær nøye med å ikke skru løs mikserglasset eller den kompakte hakkeren/kvernen fra knivenheten.
- **SKÅLDEFARE:** Varme ingredienser må avkjøles til romtemperatur før miksing.
- Start aldri maskinen ved å vri på lokket. Bruk av/på-bryteren.
- **Dette apparatet blir ødelagt og kan føre til skader hvis låsemekanismen blir utsatt for stort press.**
- **Alltid koble fra matprosessoren når den ikke er i bruk.**
- Bruk kun originalt ekstrautstyr.
- Ikke gå fra hurtigmikseren når den er i bruk.
- Aldri bruk et skadet apparat. Få det kontrollert eller reparert: se Service og kundetjeneste.
- La aldri strømenheten, ledningen eller støpselet bli vått.
- La ikke ledningen henge over kanten på bordet eller arbeidsbenken, eller ligge inntil varme overflater.
- Ikke overskrid maksimal kapasitet som beskrevet i tabellen over anbefalt hastighet.

- Barn må ha tilsyn for å sikre at de ikke leker med apparatet.
- Dette apparatet må ikke brukes av barn. Hold apparatet og den tilhørende ledningen utenfor barns rekkevidde.
- Apparater kan brukes av personer med reduserte fysiske, sensoriske eller mentale evner, eller som mangler erfaring eller kunnskap, hvis de har fått tilsyn eller veiledning om trygg bruk av apparatet og de forstår farene det innebærer.
- Bruk bare apparatet til dets tiltenkte hjemlige bruk. Kenwood frasier seg ethvert ansvar ved feilaktig bruk eller dersom apparatet ikke er brukt i henhold til denne bruksanvisningen.
- Feil bruk av prosessoren/moseren kan føre til skader.
- Maksimum kapasitet er basert på tilbehøret som bruker mest strøm. Annet tilbehør bruker kanskje mindre strøm.
Se i den relevante delen under Bruke festene for ytterligere sikkerhetsadvarsler for hvert feste.

sikkerhet for mikseren

- **SKÅLDEFARE:** Varme ingredienser må avkjøles til romtemperatur før miksing.
- Vær alltid forsiktig når du håndterer knivenheten, og unngå å berøre skjærekanten på kniven når du rengjør.
- Hurtigmikseren må alltid brukes med lokket påsatt.
- Mikserglasset må kun brukes med medfølgende knivenhet.
- Du må aldri kjøre moseren når den er tom.
- For å sørge for lang levetid for moseren, kjører du den aldri i mer enn 60 sekunder.
- Smoothie-opskrifter – ikke bland frosne ingredienser som har stivnet til en klump i fryseren. Bryt den opp før den tilsettes mikserglasset.
- Bland aldri mer enn opp til maksimalt nivå – 1,5 liter.

sikkerhet for skjære-/riveplater

- **Aldri fjern lokket før skjæreplaten har stanset helt.**
- **Vær forsiktig med skjæreplatene - de er veldig skarpe**
- **Ikke overfyll bollen: du må ikke overskride maksimalt kapasitetsnivå som er merket på bollen.**

sikkerhet for minibolle og kniv

- Fern aldri lokket før knivbladet har stanset helt.
- Knivbladet er veldig skarpt – vær alltid forsiktig når du håndterer det.

sikkerhet for kompakt hakker/kvern

- Sett aldri knivenheten i maskinen uten at glasset er montert.
- Ikke skru av glasset mens den kompakte hakkeren/kvernen sitter på maskinen.
- Ikke berør de skarpe knivene, og hold barn unna knivenheten.
- Ikke fjern den kompakte hakkeren/kvernen før knivbladene har stanset helt.
- Sikre at den kompakte hakkeren/kvernen varer lengst mulig ved å aldri kjøre den kontinuerlig i mer enn 60 sekunder. Slå av så snart du har oppnådd riktig konsistens.
- Maskinen fungerer ikke hvis den kompakte hakkeren/kvernen ikke sitter riktig på.
- Ikke prosesser gurkemeierot i den kompakte hakkeren/kvernen da disse røttene er for harde og kan skade knivbladene.

sikkerhet for juicepressen

- **Bruk ikke hvis filteret til juiceuttakeren er ødelagt.**
- Bruk kun stapperen som følger med. Aldri plasser fingrene i påfyllingstrakten. Koble fra før du fjerner det som blokkerer påfyllingstrakten.
- Før du fjerner lokket slår du av og venter på at filteret skal stoppe.
- Bruk aldri skadet tilbehør.

før du setter i støpselet

- Forviss deg om at nettspenningen er den samme som den som står oppført på undersiden av maskinen.
- Dette apparatet er i samsvar med EU-direktiv 2004/108/EU om elektromagnetisk kompatibilitet og EU-bestemmelse nr. 1935/2004 fra 27/10/2004 om materialer som skal brukes i kontakt med mat.

før første gangs bruk

- 1 Fjern plastikkdekslene fra knivbladet. **Bladene er veldig skarpe, så vær forsiktig.** Disse dekslene bør kastes da de kun skal beskytte bladet under produksjon og transport.
- 2 For vask av delene ser du Vedlikehold og rengjøring

deler

foodprocessor

- ① strømenhet
- ② bolle med drivaksel
- ③ avtagbar drivaksel
- ④ lokk
- ⑤ matetrakt
- ⑥ stappere
- ⑦ sikkerhetslåser
- ⑧ hastighetskontroll/pulsfunksjon
- ⑨ strøm på-lampe
- ⑩ ledningsvikler (bak)

mikser

- ⑪ påfyllingslokk
- ⑫ lokk
- ⑬ mikserglass
- ⑭ tetningsring
- ⑮ knivenhet
- ⑯ base

A – standardtilbehør

- ⑰ knivblad
- ⑱ elter
- ⑲ maks-kapasitetplate
- ⑳ 2 mm skjære-/riveplate

B – ekstra tilbehør

Ikke alt tilbehøret som er nevnt ovenfor følger med din maskinmodell. Tilbehør avhenger av modellen du har. Hvis du vil ha mer informasjon eller bestille mer tilbehør, kan du se delen «service og kundetjeneste».

- ㉑ dobbel visp (hvis den følger med)
- ㉒ 4 mm skjære-/riveplate (hvis den følger med)
- ㉓ ekstra fin riveplate (hvis den følger med)
- ㉔ pommefrites-plate (hvis den følger med)
- ㉕ vendeverktøy (hvis den følger med)
- ㉖ minibolle og blad (hvis den følger med)
- ㉗ kvern (hvis den følger med)
- ㉘ sitruspresse (hvis den følger med)
- ㉙ juicepresser (hvis den medfølger)
- ㉚ oppbevaringsboks til tilbehør (hvis den følger med)

bruk av foodprocessoren

- 1 Sett bollen på drivenheten. Plasser håndtaket mot høyre side og vri framover ① til det låses fast.
- 2 Fest ekstrautstyr over bollens drivaksel.
Merknad: Fjernbart driverhåndtak ② skal bli tilpasset for bruk av skiver, minibolle, visp, sammenleggbart redskap og sitruspresse.
 - Sett alltid bollen og festet på plass på prosessoren før du legger til ingredienser.
- 3 Fest lokket og sørg for at toppen av drivakselen/verktøyet festes i midten av lokket ③.
 - **Prosessoren vil ikke fungere hvis bollen eller lokket ikke er festet skikkelig i sperrelåsen. Kontroller at påfyllingstrakten og bollehåndtaket er plassert på høyre side.**
- 4 Sett i støpselet. Strømknappen tennes. Velg ett av følgende alternativ: -
Hastighetsstyring – velg hastigheten du ønsker manuelt (se oversikten over anbefalte hastigheter).
Puls – bruk puls (P) i korte tidsrom. Pulsen er i drift så lenge kontrollskiven holdes i stillingen.
- 5 Når du er ferdig med bearbeidingen, slå hastighetsregulatoren på null ('O') (Rett inn hastighetsregulatoren med strømlampen ④).
 - **Slå alltid av apparatet og dra ut kontakten før du fjerner lokket.**
viktig
 - Foodprocessoren egner seg ikke til knusing eller maling av kaffebønner, eller til knusing av grovt sukker til strøsukker (farin).

slik bruker du mikseren

- 1 Sett tetningsringen ⑭ inn i knivenheten ⑮ – pass på at tetningsringen sitter på korrekt plass. **Det vil oppstå lekkasje dersom forseglingen er skadet eller feil påsatt.**
- 2 Sett på knivenheten ⑮ i basen ⑯.
- 3 Skru knivinnsetsen fast på glasset – se til at knivinnsetsen er skrudd godt til ④. Se illustrasjonen på undersiden av basen som følger:

 - ulåst posisjon

 - låst posisjon

Moseren vil ikke fungere hvis den ikke er riktig festet.

- 4 Ha ingrediensene i mikserglasset.
- 5 Sett påfyllingslokket på lokket og sett så lokket på mikserglasset og vri medsols ⑤ for å låse det på plass.
- 6 Plasser mikseren på el-enheten og vri medsols ⑥ slik at den låses på plass.

● Apparatet fungerer ikke hvis hurtigmikseren er feil montert på sikkerhetssperren.

- 7 Velg en hastighet (se anbefalt hastighet på diagrammet) eller bruk pulsekontrollen.

tips

- Når du lager majones, legger du alle ingrediensene unntatt oljen i moseren. Fjern traktdekslet. Mens apparatet kjører heller du oljen sakte gjennom hullet i lokket
- Tykke blandinger, f.eks. patéer og dipp, må kanskje skrapes ned. Hvis blandingen er vanskelig å prosessere, skal du tilsette mer væske.
- Iskhusing – bruk pulsfunksjonen i korte støt til du har fått ønsket konsistens.
- Det anbefales ikke å prosessere krydder, da de kan skade plastdelene.
- Apparatet vil ikke fungere hvis moseren er plassert feil.
- Når du skal blande tørre ingredienser, skjærer du dem i biter, fjerner traktdekslet og mens apparatet kjører, legger du i én og én bit. Hold hånden over åpningen. For best resultat tømmer du den jevnlig.
- Hurtigmikseren egner seg ikke til oppbevaring. Den skal derfor alltid være tom når den ikke er i bruk.
- Ha aldri mer enn 1,5 liter væske i hurtigmikseren. Maks. mengde er noe mindre for luftige væskeblandinger, som milkshake.

tabell over anbefalt hastighet

Verktøy/tilbehør	Funksjon	Anbefalt hastighet	Behandlings-tid *	Maksimums-kapasitet
Knivblad	Alt-i-ett-kakemiks	Maks.	15-20 sek.	1,5 kg melvekt
	Butterdeig – smuldre smør i mel Tilsette vann for å binde ingrediensene til butterdeig	Med-maks.	10 sek. 10-20 sek.	340g melvekt
	Skjære opp fisk og magert kjøtt Posteier og terriner	Maks.	10-30 sek.	600g maks magert storfekjøtt
	Skjære opp grønnsaker	Puls	5-10 sek.	500g
	Hakke nøtter	Maks.	30-60 sek.	200g
	Mose myk frukt, kokt frukt og grønnsaker	Maks.	10-30 sek.	1 kg
	Sauser, dressing og dipper	Maks.	maks. 2 min.	800g
Knivblad med maks-kapasitetsplate	Kalde supper	Start ved lav hastighet og	30-60 sek.	1,5 liter
	Milkshaker/røre	iøk til maks	15-30 sek.	1 liter
Dobbel visp	Eggehviter	Maks.	60-90 sek.	6 (200g)
	Egg og sukker til sukkerbrød	Maks.	4-5 min.	3 (150g)
	Fløte	Maks.	30 sek.	500 ml
	Røre fett og sukker hvitt	Maks.	maks. 2 min.	200g fett 200g sukker
Deigkrok	Gjærdeig	Maks.	60 sek.	1 kg totalvekt
	Loffmel	Maks.	60 sek.	600g melvekt
	Grovbrødmel	Maks.	60 sek.	500g melvekt
Vendeverktøy	Piske krem og fruktmos	Min-lav	60 sek.	300g kremfløte, 300g mos
	Eggehviter inn i tunge mikser	Min-lav	60 sek.	600g totalvekt
	Makroner	Min-lav	60 sek.	500g totalvekt
Plater - skjære/strimle	Faste matvarer som gulrøtter, hard ost	Med-maks.	–	Ikke fyll over maksimal kapasitet som er merket av på bollen
	Mykere mat som agurker, tomater	Min. – med	–	
Ekstra fin rasp	Parmesanost, poteter til raspeballer	Maks.	–	
Pommes frites-plate	Kutter poteter til tynne pommes frites og ingredienser til gryteretter og dipper (f.eks. agurk, epler og pære).	Maks.	–	
Mikser	Kalde væsker og drikkevarer	Maks.	15-30 sek.	1,5 liter
	Kraftbaserte supper	Maks.	30 sek.	1,2 liter
	Supper med melk	Maks.	30 sek.	1 liter
	SKÅLDEFARE: Varme ingredienser må avkjøles til romtemperatur før miksing.			
Minibolle og kniv	Kjøtt	Maks.	20 sek. + Puls	200g magert storfekjøtt
	Hakke opp urter	Maks.	30 sek.	15g
	Hakke nøtter	Maks.	30 sek.	50g
	Majones	Maks.	30 sek.	2 egg 300g olje
	Pureer	Maks.	30 sek.	200g
Sitruspresse	Mindre varer, f.eks. lime og sitron Større frukt som appelsiner og grapefrukt	Min-lav	–	1 kg
Juicepresser	Presse hard frukt og harde grønnsaker f.eks. epler og gulrøtter	Maks.	–	800 g epler 600 g gulrøtter
	Presse myke frukter f.eks. druer og tomater	Maks.	–	500 g
Kvern	Male en rekke krydder	Maks.	30-60 sek.	50 g
	Male kaffebønner	Maks.	30 sek.	
	Hakke nøtter	Puls	10 sek.	50g
	Prosessere hvitløkkløfter, fersk chili og fersk ingefærrot	Puls	10 sek.	30g

* Dette er kun til veiledning og vil variere avhengig av nøyaktig oppskrift og ingrediensene som behandles.

bruke ekstrautstyret

Se i tabellen over anbefalt hastighet for hvert ekstrautstyr.

17 knivblad

Knivbladet er det mest allsidige av alt ekstrautstyret. Lengden på behandlingstiden avgjør konsistensen som oppnås.

For grovere konsistens bruker du pulskontrollen.

Bruk knivbladet til å lage kaker og bakverk, kutte rått og tilberedt kjøtt, grønnsaker, nøtter, paté, dipper, lage purésupper og til å lage smuler av kjeks og brød.

tips

- Skjær opp matvarer som kjøtt, brød og grønnsaker i terninger på omtrent 2 cm før behandling.
- Kjeks kan brytes i biter og tilsettes i påfyllingstrakten mens maskinen kjører.
- Når du lager bakverk bruker du fett rett fra kjøleskapet som er skåret i terninger på 2 cm.
- Pass på å ikke overbehandle dem.

18 elter

Bruk til gjærdeigblandinger.

- Plasser de tørre ingrediensene i bollen og tilsett væsken i påfyllingstrakten mens maskinen er i gang. Behandle til en jevn elastisk deigklump, noe som tar 60 sekunder.
- Elite på nytt for hånd. Det anbefales ikke at du elter på nytt i bollen siden det kan føre til at prosessoren blir ustabil.

19 maks.-kapasitetsplate

Mens du mikser væsker i bollen må maks.-kapasitetsplaten brukes sammen med knivbladet. Den forhindrer lekkasjer og forbedrer bladets skjæreytelse.

- 1 Sett bollen på el-enheten.
- 2 Fest knivbladet.
- 3 Tilsett ingredienser som skal behandles.
- 4 Sett maks.-kapasitetsplaten over toppen av bladet. Pass på at den sitter på kanten inne i bollen **10**. **Ikke skyv nedover på kapasitetsplaten.**
- 5 Fest lokket og slå på.

21 dobbel visp (hvis den følger med)

Bruk til lette blandinger som eggehviter, kremfløte, kondensert melk og til å vispe egg og sukker til kakebunner uten fett.

bruke vispen

- 1 Fest bollen på strømenheten, tilsett den avtakbare drivakselen.
- 2 Skyv hver visp **7** trygt inn i drivhodet.
- 3 Fest vispen forsiktig ved å vri den til den faller over drivakselen.
- 4 Tilsett ingrediensene.
- 5 Fest lokket og sørg for at enden på skaftet fester seg i midten av lokket.
- 6 Slå på.

viktig

- **Vispen er ikke egnet til å lage alt-i-ett-kakemikser, da disse er for tunge og vil skade den. Bruk alltid knivbladet.**

tips

- Du oppnår best mulig resultater når eggene oppbevares i romtemperatur.
- Sørg for at bollen og vispene er rene og fettfrie før visping.

røre fett og sukker hvitt

- For best mulig resultat bør fettet myknes i romtemperatur (20°C) før røringen. **IKKE bruk fett rett fra kjøleskapet da dette vil skade vispen.**
- Tyngre ingredienser som mel og tørket frukt bør vendes inn for hånd.
- Ikke overskrid maksimalkapasiteten eller behandlingstiden som er oppgitt i oversikten over anbefalte hastigheter.

skjære-/strimleplater

reversibel skjære-/strimleplate - 2mm **20**, 4mm **22**

Bruk strimlesiden til ost, gulrøtter, poteter og mat med lignende konsistens.

Bruk skjæresiden til ost, gulrøtter, poteter, kål, agurk, squash, betar og løk.

ekstra fin raspeplate **23** (hvis den følger med)

Rasper parmesanost og poteter til tyske raspeballer.

pommes frites-plate **24** (hvis den følger med)

Kutter poteter til tynne pommes frites og ingredienser til gryteretter og dipper (f.eks. agurk, eple og pære).

sikkerhet

- **Aldri fjern lokket før skjæreplaten har stanset helt.**
- **Vær forsiktig med skjæreplatene - de er veldig skarpe**
- **Ikke overfyll bollen: du må ikke overskride maksimalt kapasitetsnivå som er merket på bollen.**

bruke skjæreplatene

- 1 Fest bollen på strømenheten, tilsett den avtakbare drivakselen.
- 2 Hold i midtgrepet og plasser platen på drivakselen med passende side øverst **10**.
- 3 Sett på lokket.
- 4 Legg maten i påfyllingstrakten. Velg hvilken størrelse på påfyllingstrakten som du vil bruke. Stapperen inneholder en mindre påfyllingstrakt til behandling av individuelle matvarer eller tynne ingredienser. For å bruke den lille påfyllingstrakten fester du den først den store stapperen inni påfyllingstrakten. For å bruke den store påfyllingstrakten bruker du begge stapperne sammen.
- 5 Slå på og dytt jevnt nedover med stapperen - **aldri plasser fingrene i påfyllingstrakten.**

tips

- Bruk ferske ingredienser
- Ikke skjær maten i for små biter. Fyll traktens bredde ganske full. Dette hindrer maten i å gli sidelengs under behandling. Alternativt bruker du den lille påfyllingstrakten.
- Ved bruk av pommes frites-skiven må du plassere ingrediensene horisontalt.
- Ved skjøring i skiver og rasping: mat som plasseres på høykant 12 kommer ut kortere enn mat som plasseres vannrett 13.
- Det vil alltid være en liten mengde mat som går til spille på platen eller i bollen etter behandling.

25 vendeverktøy (hvis den følger med)

Bruk vendeverktøyet for å blande ingrediensene i tyngre blandinger slik som marengs, mousser og kalde fruktdesserter.

- 1 Fest bollen på strømenheten, tilsett den avtakbare drivakselen.
- 2 Dyt spatelen 8 trygt på plass i driverenheten.
- 3 Sett på vendeverktøyet ved å vri det til det faller på plass over drivakselen.
- 4 Legg til ingrediensene.
- 5 Sett på lokket, og pass på at enden av akselen plasseres i midten av lokket.

6 Velg min-lav hastighet.

for å fjerne blanderen

Koble blanderen fra driverhodet ved å trykke på frigjøringsknappen 9.

tips

- Ikke bruk høy hastighet – lav hastighet er nødvendig for å få det beste resultatet.,
- For best mulig resultat bør du ikke vispe eggehviter eller kremfløte for mye, da kan ikke vendeverktøyet vende blandingen på riktig måte fordi blandingen blir for fast.
- Ikke vend blandingen lenger enn det som står angitt i oversikten over anbefalte hastigheter, da slås luften ut av blandingen og den blir for løs.
- Eventuelle ublandede ingredienser som blir igjen på skovlen eller kantene av bollen bør vendes forsiktig inn ved hjelp av slikkepotten.

26 minibolle og kniv (hvis den følger med)

Bruk miniprosessorbollen til å hakke urter og behandle små mengder ingredienser, f.eks. kjøtt, løk, nøtter, majones, grønnsaker, pureer, sauser og babyamat.

- Ⓐ miniblad
- Ⓑ minibolle

slik bruker du minibollen og kniven

- 1 Fest bollen på strømenheten, tilsett den avtakbare drivakselen.
- 2 Sett på minibollen over drivakselen og pass på at hullene passer over plasseringsflikene 14 på hovedbollen.
Merk: Lokket til hovedbollen kan ikke settes på hvis minibollen ikke sitter riktig på.
- 3 Plasser knivbladet over drivakselen 15.
- 4 Tilsett ingredienser som skal behandles.
- 5 Fest lokket og slå på.

sikkerhet

- Aldri fjern lokket før knivbladet har stoppet helt.
- Knivbladet er veldig skarpt. Vær alltid forsiktig når du håndterer det.

viktig

- Ikke behandle krydder da de kan skade platen.
- Ikke behandle matvarer som kaffebønner, isbiter eller sjokolade da de kan skade bladet.

tips

- Urter hakkes best når de er rene og tørre.
- Tilsett alltid litt væske når du blander kokte ingredienser for å lage babyamat.
- Skjær opp matvarer som kjøtt, brød og grønnsaker i terninger på omtrent 1-2 cm før behandling.
- Når du lager majones, tilsetter du olje i påfyllingstrakten.

27 kvern (hvis den følger med)

Bruk kvernen til å male tørre ingredienser, for eksempel nøtter eller kaffebønner og til å male krydder som for eksempel:-
svarte pepperkorn, kardemommefrø, spisskuminfrø, korianderfrø, fennikelfrø, fersk ingefærrot, hvitløkfedd og fersk chili.

- Ⓐ beholder
- Ⓑ knivinnsetts til kvern

bruke kvernen

- 1 Legg ingrediensene i knivinnsettsen 16.
- 2 Sett på beholderen Ⓐ og drei den med urviserne for å låse den på plass 16.
- 3 Sett kvernen på driveneheten og drei med urviserne for å låse den på plass 17.
- 4 Velg hastighet eller bruk puls (P).

sikkerhet

- Sett aldri knivenheten på hurtigmikseren uten at beholderen er montert.
- Skru aldri av beholderen mens kvernen er montert på apparatet.
- Ikke ta på de skarpe bladene – Hold knivenheten utenfor barns rekkevidde.
- Ta aldri av kvernen før knivene har stoppet helt.
- For å holde kvernen i god stand, bør du ikke la den gå i mer enn 60 sekunder. Slå den av så snart du har fått riktig konsistens.
- Apparatet fungerer ikke hvis kvernen er montert feil.
- Ikke prosesser gurkemeierot i den kompakte hakkeren/kvernen da disse røttene er for harde og kan skade knivbladene.

tips

- For best mulig ytelse ved prosessering av krydder anbefaler vi at du ikke prosesserer mer enn 50 g av gangen i den kompakte hakkeren/kvernen.
- Hele krydder beholder smaken mye lenger enn malt krydder, så det er best å male en liten mengde om gangen for å bevare smaken.
- For at hele krydder skal avgis mest mulig smak og eteriske oljer, bør de ristes før de males.
- Skjær ingefær opp i små biter før prosessering.
- Det anbefales å bruke minibollen for å få det beste resultatet når du hakker urter.

28 sitruspresse (hvis den følger med)

Bruk sitruspressen til å klemme ut saften fra sitrusfrukter (f.eks. appelsiner, sitroner, lime og grapefrukt).

- a) presse
- b) sil

bruke sitruspressen

- 1 Fest bollen på strømenheten, tilsett den avtakbare drivakselen.
- 2 Fest silen i bollen og sørg for at silhåndtaket er låst i posisjon direkte over bollehåndtaket 1b.
- 3 Plasser pressen over drivakselen og vri den til den faller helt ned 1b.
- 4 Skjær frukten i to. Deretter slår du på og presser frukten ned i pressen.

- **Sitruspressen vil ikke fungere hvis silen ikke er låst skikkelig.**
- For best mulig resultater oppbevarer og presser du frukten i romtemperatur og håndruller den på en benkeplate før pressing.
- For å bidra til saftutvinningen beveger du frukten fra side til side når du presser den.
- Når du lager saft av store mengder frukt, tømmer du silen jevnlig for å hindre at det bygger seg opp fruktkjøtt og frø.

29 juicepresser (hvis den følger med)

Bruk saftsentrifugen til å lage saft fra harde frukter og grønnsaker.

sikkerhet

- **Bruk ikke hvis filteret til juiceuttakeren er ødelagt.**
- Bruk kun stapperen som følger med. Aldri plasser fingrene i påfyllingstrakten. Koble fra før du fjerner det som blokkerer påfyllingstrakten.
- Før du fjerner lokket slår du av og venter på at filteret skal stoppe.
- Bruk aldri skadet tilbehør.

- a) stapper
- b) lokk
- c) fruktkjøttfjerner
- d) filtertrommel

for å bruke juiceuttaker

- 1 Sett bollen på drivenheten 20.
- 2 Plasser fruktkjøttfjerner i filtertrommelen og sørg for at tappene plasseres oppå sporene nederst på trommelen 21.
- 3 Sett på filtertrommelen 22.
- 4 Plasser tilbehøret som følger med på bollen, snu den inntil den låses fast og mattuben sitter over håndtaket 23. **Din juiceuttaker vil ikke fungere hvis bollen eller lokket ikke sitter riktig på mellomlåsen.**
- 5 Skjær maten så den passer i påfyllingstrakten.
- 6 Slå på og øv jevnt trykk på stapperen – **stikk aldri fingrene i påfyllingstrakten.** Bearbeid alt før du fyller på mer.
- Etter å ha satt den siste delen på lar du juiceuttakeren kjøre litt i 30 sekunder for å ta ut all juice fra filtertrommelen.

viktig

- Hvis juiceuttakeren begynner å vibrere skruer du den av og tømmer innholdet fra trommelen. (Juiceuttakeren vibrerer hvis innholdet blir ujevnt fordelt).
- Maksimum kapasitet som kan prosesseres om gangen er 800 g frukt eller grønnsaker (se i hastighetstabellen).
- Noe mat som er veldig har kan føre til at juiceuttakeren din sakter ned eller stopper. Hvis dette skjer skruer du den av og låser opp filteret.
- Slå av og rengjør fruktkjøttssamlere jevnlig under bruk.

tips

- Før du behandler maten må du fjerne steiner og kjerner (f.eks. paprika, melon, plomme) og hardt skinn (f.eks. melon, ananas). Du trenger ikke å skrelle eller fjerne kjernen fra epler og pærer.
- Bruk faste, ferske frukter og grønnsaker.
- For å maksimere saftutvinningen legger du små mengder om gangen i materøret og dytter det forsiktig ned.
- Sitrusfrukt - skrell og fjern det hvite, ellers kan saften smake bittert. Du får best resultat ved å bruke sitruspressen.

30 boks til oppbevaring av tilbehør (hvis den følger med)

Hurtigmikseren har en oppbevaringsboks for platene.

- 1 Sett platene i oppbevaringsboksen når de ikke er i bruk 24.
- 2 Oppbevaringsboksen har en sikkerhetslås – lukk lokket for å låse. Åpne ved å løfte på lokket 25.


rengjøring og vedlikehold

- Slå alltid av maskinen og trekk ut støpselet før rengjøring.
- **Håndter stålkniven og skjæreskivene med forsiktighet - de er svært skarpe.**
- Enkelte ingredienser kan føre til misfarging av plastmaterialet. Dette er helt normalt og skader ikke plasten. Det påvirker heller ikke smaken på maten. Fjern misfarging med en klut fuktet i vegetabilisk olje.

strømenhet

- Tørk av med en fuktig klut, og deretter med en tørr klut. Påse at det ikke er matrester i eller rundt sikkerhetslåsen.
- Ikke legg motordelen i vann.
- Oppbevar overflødig ledning i oppbevaringsrommet bak på strømenheten 26.

hurtigmikser

- 1 Tøm muggen, skru av bladenheten ved å vri til opplåst posisjon  for å frigjøre. Fjern deretter knivenheten ved å skyve nedenfra.
 - Vær forsiktig når du fjerner bladenheten.
 - 2 Vask begeret for hånd.
 - 3 Ta ut og vask tetningsringen.
 - 4 Ikke berør de skarpe bladene. Børst knivene rene med varmt såpevann. **Ikke legg knivenheten i vann.**
 - 5 La den stå og tørke opp ned.
- dobbel visping**
- Koble redskapene fra driverhodet ved å forsiktig dra dem løs. Vask i varmt såpevann.
 - Tørk av drivhodet med en fuktig klut, og deretter med en tørr klut. **Drivhodet må ikke legges i vann.**

kvern

- Ta knivinnsetsen ut av beholderen ved å dreie det mot urviserne.
- Vask beholderen for hånd.
- Ikke ta på de skarpe bladene – børst dem rene i varmt såpevann og skyll dem deretter godt under kranen. **Ikke legg knivenheten i vann.**
- La den tørke opp-ned.

vendevertøy

- Koble blanderen fra driverhodet ved å trykke på frigjøringsknappen . Vask i varmt såpevann.
- Tørk av drivhodet med en fuktig klut, og deretter med en tørr klut. **Drivhodet må ikke legges i vann.**

filtertrommel

- Knivbladene på bunnen av filtertrommelen er meget skarpe, vær forsiktig når du håndterer og rengjør filtertrommelen.

alle andre deler

- Vask delene for hånd, og tørk av.
- Eller de kan vaskes i den øverste kurven i oppvaskmaskinen. Unngå å legge gjenstander i den nederste kurven rett over varmelementet. Et kort program med lav temperatur (maksimum 50 °C) anbefales.

Gjenstand	gjenstand som er egnet til oppvaskmaskinen
hovedbolle, lokk til minibolle, skyver	✓
knivblader, deigkrok	✓
avtakbar drivaksel	✓
skiver	✓
maks.-kapasitetsplate	✓
vispredskap/vendevertøy	✓
Ikke dypp vispinnsatsen i vann	
mikserbeger, lokk, påfyllingslokk,	✓
bladenhet og forsegling til mikser	✗
juicepresser	✓
knivinnsets til kvern	✗
beholder til kvern	✓
slikkepott	✓



VIKTIG INFORMASJON FOR KORREKT AVHENDING AV PRODUKTET I SAMSVAR MED EU-DIREKTIV 2002/96/EC.

På slutten av levetiden må ikke produktet kastes som vanlig avfall.

Det må tas med til et lokalt kildesorteringssted eller til en forhandler som tilbyr tjenesten. Ved å avhende husholdningsapparater separat unngås mulige negative konsekvenser for miljø og helse som oppstår som en følge av feil avhending, og gjør at de forskjellige materialene kan gjenvinnes. Dermed blir det betydelige besparelser på energi og ressurser. Som en påminnelse om behovet for å kaste husholdningsapparater separat, er produktet merket med en søppelkasse med kryss over.

service og kundetjeneste

- Dersom ledningen er skadet, må den av sikkerhetsmessige grunner erstattes av KENWOOD eller en autorisert KENWOOD-reparatør.
- **Hvis du får problemer med å bruke matprosessoren, skal du se delen om feilsøking før du ringer etter hjelp.**

Hvis du trenger hjelp med:

 - å bruke apparatet eller
 - service eller reparasjoner
 - kontakter du butikken du kjøpte apparatet i.
- Designet og utviklet av Kenwood i Storbritannia.
- Laget i Kina.

Feilsøking

Problem	Årsak	Løsning
Prosessoren fungerer ikke.	Ikke strøm. Ingen strøm-/indikatorlampe lyser. Bollen er ikke festet riktig til strømenheten. Bollelokket er ikke låst riktig.	Sjekk at støpselet på prosessoren sitter i kontakten. Kontroller at bollen er riktig plassert og at håndtaket vender mot høyre. Kontroller at lokklåsen er riktig plassert i håndtaksområdet. Prosessoren vil ikke fungere hvis ikke bollen og lokket sitter som de skal.
Kompakt hakker/kvern fungerer ikke.	Kompakt hakker/kvern ikke satt ordentlig på enheten. Kompakt hakker/kvern ikke satt sammen korrekt.	Den kompakte hakkeren/kvernen fungerer ikke hvis den ikke er satt riktig inn i låsemekanismen. Sjekk at knivenheten er strammet helt til på glasset til den kompakte hakkeren/kvernen.
Hurtigmikser vil ikke fungere.	Hurtigmikser er ikke låst riktig. Hurtigmikser er ikke montert riktig.	Mikseren fungerer ikke slik den skal hvis alt ikke er låst fast slik det skal. Kontroller at bladenheten er helt strammet i muggen.
Prosessoren stanser eller begynner å sakke farten under behandlingen.	Overbelastningsbeskyttelse i bruk. Prosessoren ble overbelastet eller overopphetet under bruk. Maksimal kapasitet overskredet.	Slå av, trekk ut kontakten og la maskinen avkjøle seg i ca. 15 minutter. Se oversikten over anbefalte hastigheter for maksimal kapasitet for behandling.
Hurtigmikseren lekker nederst på knivenheten.	Tetningsringen er borte. Tetningsringen er feil satt på Tetningsringen er skadet.	Sjekk at forseglingen er satt riktig på og ikke er skadet. For å få en ny forsegling ser du 'Service og kundetjeneste'.
Mikserforsegling mangler fra bladenhet når den tas ut av emballasjen.	Forseglingen pakkes ferdigmontert på bladenheten.	Skru av begeret og sjekk at forseglingen sitter på bladenheten. For å få en ny forsegling ser du 'Service og kundetjeneste'.
Redskapet/tilbehøret fungerer dårlig.	Se tipsene i relevant del under "Bruke tilbehøret". Sjekk at tilbehøret er satt sammen riktig.	

turvallisuus

- Lue nämä ohjeet huolella ja säilytä ne myöhempää tarvetta varten.
- Poista pakkauksen osat ja mahdolliset tarrat.
- Terät ja levyt ovat hyvin teräviä. **Käsittele niitä varovasti. Kun käsittelet tai puhdistat, tartu aina yläosan kohtaan, joka on kaukana leikkuuterästä.**
- Älä nosta tai kanna yleiskonetta kahvasta. Muutoin kahva voi särkyä, jolloin voi aiheutua onnettomuus.
- Irrota leikkuuterä aina ennen kuin kaadat kulhon sisällön astiaan.
- Pidä kädet ja keittiövälineet poissa yleiskoneen kulhosta ja tehosekoittimen astiasta, kun yleiskoneen pistoke on pistorasiassa.
- Kytke laite pois päältä ja irrota pistoke pistorasiasta:-
 - ennen osien asentamista tai irrottamista;
 - kun laite ei ole käytössä;
 - ennen puhdistusta.
- Älä koskaan paina ruokaa syöttösuppilon sormien avulla. Syötä ainekset laitteen mukana toimitetun painimen avulla.
- **Älä kiinnitä teräasetelmaa moottoriyksikköön, jos astia tai pienoisleikkuri ei ole paikallaan.**
- Ennen kannen irrottamista kulhosta tai tehosekoittimen irrottamista moottoriyksiköstä:-
 - kytke virta pois;
 - odota, kunnes levy/terä on pysähtynyt kokonaan;
 - älä irrota tehosekoittimen astiaa tai pienoisleikkuria teräasetelmasta.
- **PALOVAMMAVAARA:** Kuumien aineosien on annettava jäähtyä huoneenlämpöisiksi ennen sekoittamista.
- Älä pyöritä käyttölaitetta kannen avulla, vaan käytä aina on/off-kytkintä.
- **Tämä laite vaurioituu ja voi aiheuttaa henkilövahingon, jos lukitusmekanismiin kohdistetaan suuri voima.**
- **Kun monitoimikonetta ei käytetä, irrota sen pistoke sähköpistorasiasta.**
- Älä koskaan kiinnitä laitteeseen muita kuin sen omia osia.
- Älä koskaan jätä laitetta valvomatta, kun se on toiminnassa.
- Älä käytä vaurioitunutta laitetta. Toimita se tarkistettavaksi tai korjattavaksi. Lisätietoja on huolto ja asiakaspalvelu -kohdassa.
- Älä kastele virtayksikköä, sähköjohtoa tai pistoketta.
- Varo, ettei virtajohto roiku pöydän tai työtason reunan alla tai kosketa kuumiin pintoihin.
- Älä ylitä nopeussuosituksia mainittuja enimmäistehoja.

- Lapsia tulee pitää silmällä sen varmistamiseksi, että he eivät leiki laitteella.
- Tätä laitetta ei saa antaa lasten käyttöön. Pidä laite ja sen virtajohto poissa lasten ulottuvilta.
- Fyysisesti, sensorisesti tai henkisesti rajoittuneet tai kokemattomat henkilöt voivat käyttää laitteita, jos heidät on koulutettu käyttämään niitä turvallisesti ja he ymmärtävät käyttämisen aiheuttamat vaarat.
- Käytä laitetta ainoastaan sille tarkoitettuun kotitalouskäyttöön. Kenwood-yhtiö ei ole korvausvelvollinen, jos laitetta on käytetty väärin tai näitä ohjeita ei ole noudatettu.
- Yleiskoneen väärinkäyttö voi aiheuttaa loukkaantumisen.
- Suurin kuormitus määräytyy eniten virtaa kuluttavan varusteen mukaan. Muut varusteet voivat kuluttaa vähemmän virtaa. Varusteiden turvallisesta käyttämisestä on lisätietoja varusteiden käyttäminen -kohdassa.

tehosekoitin ja turvallisuus

- **PALOVAMMAVAARA:** Kuumien aineosien on annettava jäähtyä huoneenlämpöiseksi ennen sekoittamista.
- Käsittele teriä varovaisesti. Vältä koskettamasta terien reunoja puhdistaussasi niitä.
- Käytä tehosekoitinta vain kannen ollessa paikoillaan.
- Käytä kannussa vain laitteen mukana toimitettuja teriä.
- Älä koskaan käytä tehosekoitinta sen ollessa tyhjä.
- Voit pidentää tehosekoittimen ikää käyttämällä sitä korkeintaan 60 sekuntia kerrallaan.
- Valmistaussasi smoothieta älä aseta tehosekoittimeen kimpaleeksi jäätyneitä aineosia. Riko kimpaleet ennen niiden asettamista kannuun.
- Sekoita kerrallaan enintään 1,5 litraa, joka on merkitty suurimmaksi määräksi.

viipalointi-/raastamislevy ja turvallisuus

- **Älä poista kantta, ennen kuin levy on kokonaan pysähtynyt.**
- **Käsittele levyjä varoen – ne ovat hyvin teräviä.**
- **Älä täytä kulhoa liikaa. Älä ylitä kulhoon merkittyä ylimmän tason merkkiä.**

pienoiskulhon ja terän turvallisuus

- Älä poista kantta, ennen kuin terä on pysähtynyt kokonaan.
- Terä on erittäin terävä. Käsittele sitä varovasti.

pienoisleikkuri ja turvallisuus

- Älä koskaan kiinnitä teräosaa koneeseen ilman hienonnusastiaa.
- Älä irrota astiaa, jos laitteeseen on kiinnitetty pienoisleikkuri.
- Älä koske teräviä teriä. Älä päästä lapsia teräosan lähettyville.
- Älä poista pienoisleikkuria, ennen kuin terät ovat pysähtyneet kokonaan.
- Voit pidentää pienoisleikkurin ikää käyttämällä sitä korkeintaan 60 sekuntia kerrallaan. Katkaise virta, kun haluamasi sakeus on saavutettu.
- Laitte ei toimi, jos pienoisleikkuri ei ole kunnolla paikoillaan.
- Älä jauha kurkumajuurta pienoisleikkurissa, sillä se on liian kovaa ja voi vahingoittaa teriä.

mehulinko ja turvallisuus

- **Älä käytä mehulinkoa, jos suodatin on vahingoittunut.**
- Käytä vain mukana toimitettua työnnintä. Älä työnnä sormiasi syöttöputkeen. Irrota pistoke pistorasiasta aina ennen tukoksen poistamista syöttöputkesta.
- Ennen kannen poistamista katkaise virta ja odota, että suodatin pysähtyy.
- Älä koskaan käytä vaurioitunutta laitetta.

ennen pistokkeen työntämistä pistorasiaan

- Varmista, että sähkövirta vastaa laitteen pohjaan merkittyjä tietoja.
- Tämä laite täyttää sähkömagneettista yhteensopivuutta koskevan EU-direktiivin 2004/108/EU ja 27.10.2004 annetun elintarvikkeiden kanssa kosketuksiin joutuvia materiaaleja säätelevän EU-määräyksen 1935/2004 vaatimukset.

ennen kuin käytät laitetta ensimmäistä kertaa

- 1 Poista terän muovisuojukset. **Terät ovat erittäin teräviä, joten toimi varovasti.** Tämä suojukset on heitettävä pois, sillä niiden tehtävä on vain suojata terää valmistuksen ja kuljetuksen ajan.
- 2 Pese osat Hoito ja puhdistus -kohdassa kuvatulla tavalla.

selite

monitoimikone

- ① virtayksikkö
- ② kulho ja vetoakseli
- ③ irrotettava pyörityskappale
- ④ kansi
- ⑤ syöttösuppilo
- ⑥ painimet
- ⑦ turvalukitukset
- ⑧ nopeuskytkin ja sykäyspainike
- ⑨ virtamerkkivalo
- ⑩ virtajohdon lokero (takana)

tehosekoitin

- ⑪ täyttökansi
- ⑫ kansi
- ⑬ kannu
- ⑭ tiivisterengas
- ⑮ teräyksikkö
- ⑯ jalusta

A - vakiovarusteet

- ⑰ hienonnusterä
- ⑱ taikinan sekoitin
- ⑲ suurikapasiteettinen levy
- ⑳ 2 mm:n viipalointi-/raastamislevy

B - lisävarusteet

Monitoimikoneesi mukana ei ole toimitettu kaikkia alla lueteltuja varusteita. Varusteet vaihtelevat mallin mukaan. Lisätietoja on huolto ja asiakaspalvelu -kohdassa. Siellä kerrotaan myös lisävarusteiden tilaamisesta.


- ㉑ kaksoisvispilä (jos mukana)
- ㉒ 4 mm:n viipalointi-/raastamislevy (jos mukana)
- ㉓ erittäin hieno raastamislevy (jos mukana)
- ㉔ ranskanperunalevy (jos mukana)
- ㉕ kääntelytyökalu (jos mukana)
- ㉖ pienoiskulho ja terä (jos mukana)
- ㉗ jauhatusmylly (jos mukana)
- ㉘ sitruspuserin (jos mukana)
- ㉙ mehulinko (jos mukana)
- ㉚ varusteiden säilytyslaatikko (jos mukana)

monitoimikoneen käyttö

- 1 Kiinnitä kulho moottoriosaan. Aseta kahva kohti oikeaa puolta ja käännä eteenpäin ①, kunnes se lukittuu.
- 2 Kiinnitä laite kulhon akselin päälle.
Huomaus: Irrotettavan akselin ② saa kiinnittää vain käytettäessä levyjä, pienoiskulhoa, vispilää, kääntelytyökalua tai sitruspuserinta.
 - Aseta kulho ja varuste aina paikoilleen yleiskoneeseen ennen aineosien lisäämistä.
- 3 Aseta kansi paikoilleen. Varmista, että käyttöakselin/välineen yläosa tulee kannen keskelle ③.
• Yleiskone ei toimi, jos kulho tai kansi ei ole kunnolla paikallaan. Tarkista, että syöttöputki ja kulhon kahva ovat oikealla puolella.
- 4 Työnnä pistoke pistorasiaan. Virran merkkivalo syttyy. Valitse jokin seuraavista vaihtoehdoista: -
Nopeudensäätö: tarvittava nopeus valitaan käsin (lisätietoja on nopeussuosituskaaviossa).
Sykäys (P) tuottaa lyhyitä sekoitusjaksoja. Sykäys toimii, kun säädintä pidetään tässä asennossa.
- 5 Käännä nopeussäädin lopuksi OFF-asentoon. Kohdista nopeudensäädin virtamerkkivaloon ⑨.
• Sammuta virta ja irrota pistoke pistorasiasta aina ennen kannen irrottamista. tärkeää
 - Monitoimikoneella ei voi rouhia tai jauhaa kahvinpajuja tai hienontaa palasokeria.

tehosekoittimen käyttäminen

- 1 Sovita tiivisterengas ⑭ teräyksikköön ⑮. Varmista, että tiiviste on oikein paikoillaan. **Jos tiiviste on vaurioitunut tai huonosti paikoillaan, laite vuotaa.**
- 2 Kiinnitä teräyksikkö ⑮ jalustaan ⑯.
- 3 Kierrä teräasetelma kiinni astiaan. Varmista, että teräasetelma on kunnolla kiristetty ④. Lisätietoja on jalustan pohjassa:

 - avatussa asennossa

 - suljetussa asennossa

Tehosekoitin ei toimi, jos se on koottu väärin.

- 4 Laita sekoitettavat ainekset sekoitusastiaan.
 - 5 Kiinnitä täyttökorkki kanteen. Aseta kansi kannuun ja lukitse se kiertämällä myötäpäivään ⑤.
 - 6 Aseta tehosekoitin moottoriyksikköön ja lukitse kääntämällä myötäpäivään ⑥.
- **Laite ei toimi, jos tehosekoitinastia ei ole kunnolla paikallaan.**
- 7 Valitse nopeus (lisätietoja on nopeussuositustaulukossa) tai käytä sykäyssäädintä.

vihteitä

- Kun teet majoneesia, aseta kaikki aineosat öljyä lukuun ottamatta tehosekoittimeen. Irrota syöttökansi. Kun laite on toiminnassa, kaada öljy hitaasti kannen aukon läpi.
- Paksut seokset, kuten pateetaikinat ja dippikastikkeet, on ehkä kaavittava lastalla. Jos seos on liian paksua, lisää nestettä.
- Jään murskaaminen: käytä lyhyitä sykäyksiä, kunnes jäämurska on haluamasi kaltaista.
- Mausteiden käsittelemistä ei suositella, sillä ne voivat vaurioittaa muoviosia.
- Laite ei toimi, jos tehosekoitin ei ole kunnolla paikoillaan.
- Voit sekoittaa kuivat paloitetut ainekset poistamalla syöttökannen ja pudottamalla palaset yksi kerrallaan laitteen käydessä. Pidä kätesi aukon päällä. Tyhjennä säännöllisesti parhaan lopputuloksen saavuttamiseksi.
- Älä käytä tehosekoitinta säilytysastiana. Säilytä se tyhjiillään.
- Älä koskaan sekoita suurempaa määrää kuin 1,5 litraa - vaahtoavien nesteiden, esim. pirtelö, määrä on pienempi.

nopeussuositustaulukko

Väline/lisälaiter	Toiminta	nopeussuositus	käsittelyaika *	Maksimi-kapasiteetit	
Hienonusterä	Valmiit leivontaseokset	Suurin	15-20 sekuntia	jauhojen paino 1,5Kg	
	Murotaikina – rasvan hierominen jauhoihin Veden lisääminen murotaikina-ainesten yhdistämiseksi	Keskinopeus - suurin	10 sekuntia 10-20 sekuntia	jauhojen paino 340g	
	Vähärasvaisen lihan tai kalan hienontaminen Pateet ja terriinit	Suurin	10-30 sekuntia	600g rasvatonta naudanlihaa	
	Vihannesten pilkkominen	Sykäys	5-10 sekuntia	500g	
	Pähkinöiden hienontaminen	Suurin	30-60 sekuntia	200g	
	Pehmeiden tai keitettyjen hedelmien ja vihannesten soseuttaminen	Suurin	10-30 sekuntia	1Kg	
	Kastikkeet, salaattikastikkeet ja dipit	Suurin	Enintään 2 minuuttia	800g	
Terä ja suurikapasiteettinen levy	Kylmät keitot	Aloita hitaalla nopeudella, ja lisää nopeutta vähitellen.	30-60 sekuntia	1,5 litraa	
	Pirtelöt tai taikinaseokset		15-30 sekuntia	1	
Kaksoisvispilä	Munanvalkuaiset	Suurin	60-90 sekuntia	6 (200g)	
	Munat ja sokeri sokerikakuissa	Suurin	4-5 minuuttia	3 (150g)	
	Kerma	Suurin	30 sekuntia	500 ml	
	Rasvan ja sokerin vaahdottaminen	Suurin	Enintään 2 minuuttia	200g rasvaa 200g sokeria	
Taikinasekoitin	Hiivataikinat	Suurin	60 sekuntia	kokonaispaino 1Kg	
	Vehnäleipäjauhot	Suurin	60 sekuntia	jauhojen paino 600g	
	Kokojyväjauhot	Suurin	60 sekuntia	jauhojen paino 500g	
Kääntelytyökalu	Kerman ja hedelmäsoseiden vaahdottaminen	Keskinopeus - pienin	60 sekuntia	300g kermaa, 300g sose	
	Munanvalkuaisien vaahdottaminen	Keskinopeus - pienin	60 sekuntia	kokonaispaino 600g	
	Macaroon-leivokset	Keskinopeus - pienin	60 sekuntia	kokonaispaino 500g	
Levyt: viipalointi ja raastaminen	Kovat ruoka-aineet, kuten porkkanat, kova juusto	Keskinopeus - suurin	–	Älä ylitä kulhoon merkittyä suurinta määrää.	
	Pehmeämmät ainekset, kuten kurkku, tomaatti	Hidas tai keskinopeus	–		
Erittäin hieno raastamislevy	Parmesaanijuusto, perunoiden hienontaminen perunapalleroita varten.	Suurin	–		
Ranskanperunalevy	Perunoiden leikkaamiseen erittäin ohuiksi ranskalaisiksi perunoiksi, salaattien ja pataruokien aineksille sekä esimerkiksi porkkanalle, kesäkurpitsalle ja kurkulle.	Suurin	–		
Tehosekoitin	Kylmät nesteet ja juomat	Suurin	15-30 sekuntia		1,5 litraa
	Liemipohjaiset keitot	Suurin	30 sekuntia		1,2 litraa
	Maitoa sisältävät keitot	Suurin	30 sekuntia	1 litraa	
	PALOVAMMAVAARA: Kuumien aineosien on annettava jäähtyä huoneenlämpöiseksi ennen sekoittamista.				
Pienoiskulho ja terä	Liha	Suurin	20 sekuntia ja sykäys	200g rasvatonta naudanlihaa	
	Yrttien silppuaminen	Suurin	30 sekuntia	15g	
	Pähkinöiden hienontaminen	Suurin	30 sekuntia	50g	
	Majoneesi	Suurin	30 sekuntia	2 kananmunaa 300g öljyä	
	Soseet	Suurin	30 sekuntia	200g	
Sitruspuserrin	Pienehköt ruoka-aineet, kuten limetit ja sitruunat Suurehkot hedelmät, kuten appelsiini ja greipit	Keskinopeus - pienin	–	1Kg	
Mehulinko	Kiinteiden hedelmien ja vihannesten, kuten omenien ja porkkanoiden mehustaminen	Suurin	–	800 g omenien 600 g porkkanoita	
	Pehmeiden hedelmien tai vihannesten, kuten viinirypäleiden ja tomaattien mehustaminen	Suurin	–	500 g	
Jauhatusmylly	Erialaisten mausteiden käsitteleminen	Suurin	30-60 sekuntia	50 g	
	Kahvipapujen jauhaminen	Suurin	30 sekuntia	50 g	
	Pähkinöiden hienontaminen	Sykäys	10 sekuntia	50 g	
	Valkosipulinkynsien, tuoreiden chilien ja inkiväärijuuren käsitteleminen	Sykäys	10 sekuntia	30 g	

* Tämä on vain suositus. Aika vaihtelee ruokaohjeen ja käsiteltävien aineosien mukaan.

varusteiden käyttö

Katso varusteiden käyttönopeus nopeussuositustaulukosta.

17 hienonnusterä

Terä on monikäyttöisin varuste. Saavutettu koostumus määräytyy ruoka-aineiden työstön keston perusteella. Jos haluat karkeamman koostumuksen, käytä pitokytintä. Voit käsitellä terän avulla kakku- ja leivostaikinoita, hienontaa raakaa tai kypsää lihaa, vihanneksiä tai pähkinöitä, soseuttaa keittoja sekä tehdä pateetaikinoita, dippikastikkeita tai korppujauhoja.

vihjeitä

- Kuutioi lihan, leivän ja vihannesten kaltaiset aineosat noin 2 cm:n kokoisiksi kuutioiksi ennen käsittelemistä.
- Keksit on murennettava ja lisättävä syöttöputkeen, kun laite on toiminnassa.
- Kun valmistat leivonnaisia, kuutioi kovettunut rasva ensin 2 cm:n kuutioiksi.
- Varo käsittelemästä ruoka-aineita liikaa.

18 taikinatyöväline taikinan sekoitin

Käytetään leivottaessa hiivataikinoita.

- Aseta kuiva-aineet kulhoon ja lisää neste syöttösuppilon kautta laitteen ollessa käynnissä. Työstä niin kauan, kunnes kulhoon on muodostunut kimmoisa taikinapallo. Tämä kestää noin 60 sekuntia.
- Jos haluat vaivata taikinaa uudelleen, tee se ainoastaan käsin. Uudelleenvaivaaminen kulhossa ei ole suositeltavaa, sillä monitoimikone voi sen vuoksi menettää vakauttaan.

19 suurikapasiteettinen levy

Kun tehosekoittimessa sekoitetaan nesteitä, käytä yhdessä terän kanssa suurikapasiteettista levyä. Se estää vuotamista ja parantaa terän tehoa.

- 1 Kiinnitä kulho moottoriosaan.
- 2 Kiinnitä teräyksikkö.
- 3 Lisää käsiteltävät aineosat.
- 4 Aseta suurikapasiteettinen levy terän päälle ja varmista, että se tukeutuu kulhon tukialueeseen **10**. **Älä paina suurikapasiteettista levyä.**
- 5 Aseta kansi paikalleen. Käynnistä laite.

21 kaksoisvispilä (jos mukana)

Käytä kerman, kananmunien ja munanvalkuaisten tai kananmunien ja sokerin kaltaisten kevyiden aineksien vatkaamiseen.

vispilän käyttäminen

- 1 Kiinnitä kulho ja irrotettava varsi moottoriosaan.
- 2 Paina vatkaimet **7** tiukasti paikoilleen.
- 3 Kiinnitä vispilän kääntämällä sitä, kunnes se menee akselin päälle.
- 4 Lisää aineosat.
- 5 Aseta kansi paikoilleen. Varmista, että akselin pää menee kannen keskelle.
- 6 Käynnistä.

tärkeää

- **Vispilä ei sovellu valmiiden leivontaseosten sekoittamiseen, sillä ne ovat niin raskaita, että vispilä vaurioituu. Käytä aina terää.**

vihjeitä

- Saat parhaat tulokset, kun munat ovat huoneenlämpöisiä.
- Varmista ennen vatkaamista, että kulho ja vispilät ovat puhtaita ja rasvattomia.
- **rasvan ja sokerin vaahdottaminen**
- Rasvan on annettava lämmitä huoneenlämpöiseksi (20 °C) ennen vaahdottamista. **ÄLÄ KÄYTÄ jääkaappikylmää rasvaa. Muutoin vispilä vahingoittuu.**
- Jauhojen ja kuivattujen hedelmien kaltaiset raskaammat aineosat on sekoitettava joukkoon käsin.
- Älä ylitä nopeussuositustaulukossa mainittua suurinta kapasiteettia tai pisintä käsittelyaikaa.

viipalointi-/raastamislevyt

käännettävät viipalointi-/raastamislevyt: 2mm ²⁰, 4mm ²²

Raastamispuolta voidaan käyttää juustolle, porkkanalle, perunalle ja koostumukseltaan vastaaville ruoka-aineille. Viipalointipuolta voidaan käyttää juustolle, porkkanalle, perunalle, kaalille, kurkulle, kesäkurpitsalle, punajuurille ja sipuleille.

erittäin hieno raastamislevy ²³ (jos mukana)

Parmesaanijuusto, perunoiden hienontaminen perunapallerota varten.

ranskanperunalevy ²⁴ (jos mukana)

Perunoiden leikkaamiseen erittäin ohuiksi ranskalaisiksi perunoiksi, salaattien ja pataruokien aineksille sekä esimerkiksi porkkanalle, kesäkurpitsalle ja kurkulle.

turvallisuus

- **Älä poista kantta, ennen kuin levy on kokonaan pysähtynyt.**
- **Käsittele levyjä varoen – ne ovat hyvin teräviä.**
- **Älä täytä kulhoa liikaa. Älä ylitä kulhoon merkittyä ylimmän tason merkkiä.**

viipalointilevyjen käyttäminen

- 1 Kiinnitä kulho ja irrotettava varsi moottoriosaan.
- 2 Tartu levyn keskiosaan ja aseta se akseliin oikea puoli ylöspäin **11**.
- 3 Aseta kansi paikalleen.
- 4 Aseta ainekset syöttöputkeen. Valitse oikean kokoinen syöttöputki. Työntimessä on pieni syöttöputki ohuita aineksia varten. Voit käyttää pientä syöttöputkea asettamalla sen isomman syöttöputken sisään. Voit käyttää suurta syöttöputkea käyttämällä molempia työntämisosia yhdessä.
- 5 Käynnistä ja paina työntimellä tasaisesti. **Älä työnnä sormiasi syöttöputkeen.**

vihjeitä

- Käytä tuoreita raaka-aineita.
- Älä paloittele ruokaa liian pieniksi paloiksi. Täytä syöttöputki lähes täyteen. Tämä estää aineksia liikkumasta sivusuunnassa. Voit myös käyttää pienempää syöttöputkea.
- Jos käytössä on ranskanperunalevy, aseta ainekset vaakasuuntaan.
- Kun viipaloiti raastat, pystysuunnassa 12 asetetut ainekset tulevat ulos lyhyempinä kuin vaakasuunnassa 13 asetetut.
- Levyyn tai kulhoon jää aina hieman tähteitä.

25 kääntelytyökalu (jos mukana)

Kääntelytyökalun avulla voit sekoittaa marenkien, moussetaikainoiden ja hedelmäkakkutaikainoiden kaltaiset raskaammat massat.

- 1 Kiinnitä kulho ja irrotettava varsi moottoriosaan.
- 2 Paina lasta 8 tiukasti paikalleen.
- 3 Kiinnitä kääntelytyökalu kääntämällä sitä, kunnes se menee akselin päälle.
- 4 Lisää aineosat.
- 5 Aseta kansi paikoilleen. Varmista, että akselin pää menee kannen keskelle.
- 6 **Valitse keski- tai pienin nopeus.**

vatkaimen irrottaminen

Irrota vatkain painamalla vapautuspainiketta 9.

vihjeitä

- Älä käytä suurta nopeutta. Kääntelevä onnistuu parhaiten hitaalla nopeudella.
- Älä vatkaa munanvalkuaisia tai kermaa liikaa. Jos seos on liian tiivistä, seosta ei voi sekoittaa kääntelytyökalun avulla.
- Älä kääntele seosta pidempään kuin nopeussuositustaulukossa on suositeltu. Muutoin ilma poistuu seoksesta, ja siitä tulee liian löysää.
- Lastoihin tai kulhon reunoihin kiinni jääneet aineosat on sekoitettava joukkoon varovasti kaapimen avulla.

26 pienoiskulho ja terä (jos mukana)

Pilko yrtit tai pienet määrät esimerkiksi lihaa, sipulia, pähkinöitä, vihanneksia tai valmista pienet määrät majoneesia, soseita, kastikkeita tai vauvanruokaa pienessä kulhossa.

- a) pienoisterä
- b) pienoiskulho

pienoiskulhon ja terän käyttäminen

- 1 Kiinnitä kulho ja irrotettava varsi moottoriosaan.
- 2 Kiinnitä pienoiskulho irrotettavaan varteen. Varmista, että sen urat osuvat pääkulhon kielekkeisiin 14.
- 3 **Huomautus:** Pääkulhoa ei voi asettaa paikalleen, jos pienoiskulho ei ole kunnolla paikallaan.
- 3 Kiinnitä teräyksikkö akseliin 15.
- 4 Lisää käsiteltävät aineosat.
- 5 Aseta kansi paikalleen. Käynnistä laite.

turvallisuus

- Älä poista kantta, ennen kuin teräyksikkö on kokonaan pysähtynyt.
- Terä on erittäin terävä. Käsittele sitä varovasti.

tärkeää

- Älä hienonna mausteita, sillä ne voivat vahingoittaa muoviva.
- Älä hienonna kovia ruoka-aineita, kuten kahvipapuja, jääkuutioita tai suklaata. Muutoin terä vaurioituu.

vihjeitä

- Yrttien silppuaminen onnistuu parhaiten, kun ne ovat puhtaita ja kuivia.
- Jos valmistat vauvanruokaa keitetyistä aineosista, lisää aina hieman nestettä.
- Kuutioi ruoka-aineet kuten liha, leipä ja vihannekset noin 1-2 cm kokoisiksi kuutioiksi ennen pilkkomista.
- Kun teet majoneesia, lisää öljyä syöttöputkea pitkin.

27 jauhatusmylly (jos mukana)

Käytä jauhatusmyllyä kuiville aineosille, kuten pähkinät tai kahvinpavut, ja mausteiden hienontamiseen, kuten mustapippuri, kardemumma, kumina, korianterin tai fenkolin siemenet, tuore inkiväärijuuri, valkosipulinkynnet ja tuoreet chilit.

- a) myllyastia
- b) jauhatusmyllyn teräasetelma

jauhatusmyllyn käyttäminen

- 1 Aseta aineosat teräasetelmaan 16.
- 2 Kiinnitä astia 17. Lukitse kääntämällä myötöpäivään 18.
- 3 Aseta mylly moottoriyksikköön ja lukitse kääntämällä myötöpäivään 19.
- 4 Valitse nopeus tai käytä sykäystoimintoa (P).

turvallisuus

- Älä kiinnitä teräasetelmaa monitoimikoneeseen, jos astia ei ole paikallaan.
- Älä irrota astiaa, jos laitteeseen on kiinnitetty mylly.
- Älä koske teräviin teriin. Pidä teräyksikkö poissa lasten ulottuvilta.
- Älä poista myllyä, ennen kuin terät ovat pysähtyneet kokonaan.
- Voit pidentää myllyn ikää käyttämällä sitä korkeintaan 60 sekuntia kerrallaan. Katkaise virta, kun haluamasi rakenne on saavutettu.
- Laite ei toimi, jos mylly ei ole kunnolla paikoillaan.
- Älä jauha kurkumajuurta tässä myllyssä, sillä se on liian kovaa ja voi vahingoittaa teriä.

vihjeitä

- Mausteita jauhaessasi on suositeltavaa jauhaa myllyssä korkeintaan 50 grammaa kerrallaan.
- Mausteiden aromi säilyy paljon paremmin niiden ollessa kokonaisia, joten jauha niitä vain pieni määrä kerrallaan aromien säilyttämiseksi.
- Kokonaiset mausteet kannattaa paahtaa ennen jauhamista, jotta niiden aromi ja eteeriset öljyt vapautuvat parhaiten.
- Leikkaa inkivääri pieniksi paloiksi ennen jauhamista.
- Parhaiden tulosten varmistamiseksi on suositeltavaa käyttää pientä kulhoa.

28 sitruspuserrin (jos mukana)

Sitruspusertimen avulla voit pusertaa mehua sitrushedelmistä, kuten appelsiineista, sitruunoista, greipeistä ja limeistä.

- a) kartio
- b) siivilä

sitruspusertimen käyttäminen

- 1 Kiinnitä kulho ja irrotettava varsi moottoriosaan.
 - 2 Kiinnitä siivilä kulhoon. Varmista, että siivilän kahva lukittuu paikalleen kulhon kahvan päälle 18.
 - 3 Aseta kartio akselin päälle ja käännä sitä, kunnes se painuu pohjaan saakka 19.
 - 4 Puolita hedelmä. Käynnistä laite. Paina hedelmä kartiota vasten.
- **Sitruspuristin ei toimi, ellei siivilä ole kunnolla paikallaan.**
 - Saat enemmän mehua säilyttämällä hedelmät huoneenlämpötilassa ja pyörittelemällä niitä pöytätasoa vasten ennen mehun pusertamista.
 - Mehua tulee enemmän, kun siirtelet hedelmää sivusuunnassa pusertamisen aikana.
 - Jos puserrat paljon mehua, tyhjennä siivilä välillä, jotta hedelmäliha ja siemenet eivät tuki sitä.

29 mehulinko (jos mukana)

Mehulingon avulla saat mehua kiinteistä hedelmistä ja vihanneksista.

turvallisuus

- **Älä käytä mehulinkoa, jos suodatin on vahingoittunut.**
- Käytä vain mukana toimitettua työntintä. Älä työnnä sormiasi syöttöputkeen. Irrota pistoke pistorasiasta aina ennen tukoksen poistamista syöttöputkesta.
- Ennen kannen poistamista katkaise virta ja odota, että suodatin pysähtyy.
- Älä koskaan käytä vaurioitunutta laitetta.

- a) työnnin syöttöpainike
- b) kansi
- c) hedelmälihan poisto
- d) suodatin

mehulingon käyttäminen

- 1 Kiinnitä kulho moottoriosaan 20.
- 2 Aseta hedelmälihan poisto suodatinrumpuun. Varmista, että kielekkeet menevät rummun 21 pohjaan.
- 3 Aseta suodatinrumpu 22 paikalleen.
- 4 Aseta laitteen kansi kulhon päälle ja käännä, kunnes se lukittuu ja syöttöputki menee kahvan 23 päälle. **Mehulinko ei toimi, jos kulho tai kansi ei ole kunnolla paikallaan.**
- 5 Paloittele ainesosat siten, että ne mahtuvat syöttöputkeen.
- 6 Käynnistä ja paina työntimellä tasaisesti. **Älä työnnä sormiasi syöttöputkeen.** Käsittele ensimmäinen erä loppuun saakka ennen kuin lisää seuraavan erän.
- Kun viimeinen pala on työnnetty mehulinkoon, anna sen käydä vielä 30 sekuntia, kunnes kaikki mehu on valunut ulos.

tärkeää

- Jos mehulinko alkaa täristä voimakkaasti, katkaise virta ja poista jäte rummusta. (Mehulinko tärisee, jos jäte jakautuu epätasaisesti.)
- Voit käsitellä kerrallaan 800 g hedelmiä tai vihanneksia (Lisätietoja on nopeuskaaviossa).
- Tietty erittäin kovat vihannekset saavat mehulingon hidastumaan tai pysähtymään. Jos näin käy, katkaise virta ja puhdista suodatin.
- Kytke laite pois päältä ja tyhjennä kuitumassan kerääjä säännöllisesti käytön aikana. Irrota pistoke pistorasiasta aina käytön jälkeen.

vihteitä

- Poista kivet ja siemenet esimerkiksi paprikoista, meloneista ja luumuista sekä paksut kuoret esimerkiksi meloneista ja ananaksista. Omenoita tai päärynöitä ei tarvitse kuoria.
- Käytä aina tuoreita kiinteitä hedelmiä ja vihanneksia.
- Saat mahdollisimman paljon mehua työntämällä syöttöputkeen vain vähän materiaalia kerrallaan ja painamalla hitaasti.
- Sitrushedelmät: kuori hedelmät ja poista valkoinen osa. Muutoin mehu voi maistua kitkerältä. Saat parhaat tulokset käyttämällä sitruspuserrinta.

30 varusteiden säilytyslaatikko (jos mukana)

Yleiskoneen mukana toimitetaan säilytyslaatikko levyjä varten.

- 1 Säilytä levyjä säilytyslaatikossa, kun niitä ei käytetä 24.
- 2 Säilytyslaatikossa on turvalukko. Voit lukita sen sulkemalla kannen. Avaa nostamalla kansi 25 ylös.


hoitaminen ja puhdistaminen

- Sammuta laite ja irrota pistoke pistorasiasta aina ennen puhdistamista.
- **Käsittele teriä ja leikkuulevyjä varoen - ne ovat erittäin teräviä.**
- Jotkut elintarvikkeet saattavat värjätä muovia. Tämä on täysin normaalia eikä vahingoita muovia tai vaikuta ruoan makuun. Poista väri hankaamalla kasvisöljyn kastetulla kankaalla.

virtaysikkö

- Pyyhi kostealla pyyhkeellä ja kuivaa. Varmista, että lukituskohdassa ei ole ruoan jätteitä.
- Älä koskaan upota moottoriyksikköä veteen.
- Voit säilyttää ylimääräistä johtoa moottoriyksikön 26 takana.

tehosekoitin

- 1 Tyhjennä astia ja käännä teräyksikkö se avattuun asentoon , jotta sen voi irrottaa. Irrota teräyksikkö nostamalla sitä altpäin.
- Toimi varovaisesti irrottaessasi teräyksikköä jalustasta.
- 2 Pese astia/kannu käsin.
- 3 Irrota ja pese tiiviste.
- 4 Älä koske teräviä teriä. Harjaa ne puhtaaksi kuumassa saippuavedessä ja huuhtelee sitten juoksevan vesijohtoveden alla. **Älä upota teräosaa veteen.**
- 5 Jätä kuivumaan ylösalaisin.

kaksoisvispilä


- Irrota vatkaimet vetämällä varovasti. Pese lämpimällä saippuvedellä.
- Pyyhi käyttöpää kostealla pyyhkeellä ja kuivaa sen jälkeen.

Älä upota käyttöpäätä veteen.

jauhatusmylly

- Voit poistaa teräyksikön astiasta kääntämällä vastapäivään.
- Pese astia käsin.
- Älä koske teräviä teriä. Harjaa ne puhtaaksi kuumalla vedellä ja pesuaineella. Huuhtelee hyvin juoksevalle vedellä. **Älä upota teräyksikköä veteen.**
- Anna kuivua ylösalaisin.

kääntelytyökalu

- Irrota vatkein painamalla vapautuspainiketta . Pese lämpimällä saippuvedellä.
- Pyyhi käyttöpää kostealla pyyhkeellä ja kuivaa sen jälkeen.

Älä upota käyttöpäätä veteen.

suodatinrumpu

- Suodatinrummun pohjassa olevat leikkuuterät ovat hyvin teräviä. Toimi varovaisesti käsitellessäsi ja puhdistaussasi rumpua.

kaikki muut osat

- Pese käsin ja kuivaa pesun jälkeen.
- Ne voidaan pestä myös astianpesukoneen ylätasolla. Älä aseta osia alatasolle suoraan kuumennusvastuksen päälle. On suositeltavaa käyttää lyhyttä ohjelmaa ja alhaista lämpötilaa (enintään 50 °C).



TÄRKEITÄ OHJEITA TUOTTEEN HÄVITTÄMISEEN EUROOPAN UNIONIN DIREKTIIVIN 2002/96 MUKAISESTI.

Tuotetta ei saa hävittää yhdessä tavallisten kotitalousjätteiden kanssa sen lopullisen käytöstä poiston yhteydessä.

Vie se paikallisten viranomaisten hyväksymään kierrätyskeskukseen tai anna se jälleenmyyjän hävitettäväksi, mikäli kyseinen palvelu kuuluu jälleenmyyjän toimialaan. Suojelet luontoa ja vältty virheellisen tai väärän romutuksen aiheuttamilta terveysriskeiltä, mikäli hävität kodinkoneen erillään muista jätteistä. Näin myös kodinkoneen sisältämät kierrätettävät materiaalit voidaan kerätä talteen, jolloin säästät energiaa ja luonnonvaroja.

Tuotteessa on ristillä peitetty roskasäiliön merkki, jonka tarkoituksena on muistuttaa että kodinkoneet on hävitettävä erikseen muista kotitalousjätteistä.

Esine	Voidaan pestä astianpesukoneessa
pääkullo, pienoiskulho, kansi, työnnin	✓
terät, taikinan sekoitin	✓
irrotettava akseli	✓
levyt	✓
suurikapasiteettinen levy	✓
vispilät/kääntelytyökalu	✓
Älä upota käyttöpäätä veteen.	
sekoitusastian, kansi, täyttökansi	✓
teräyksikkö ja tehosekoittimen tiiviste	✗
mehulinko	✓
jauhatusmyllyn teräasetelma	✗
jauhatusmyllyn astia	✓
kaavin	✓

huolto ja asiakaspalvelu

- Jos virtajohto vaurioituu, se on turvallisuussyistä vaihdettava. Vaihtotyön saa tehdä KENWOOD tai KENWOODIN valtuuttama huoltoliike.
- **Jos monitoimikoneen käytössä ilmenee ongelmia, katso ennen huoltoon soittamista, löytyykö vianetsintäoppaasta apua.**

Jos tarvitset apua

- laitteen käyttämisessä tai
- laitteen huolto- tai korjaustöissä,
- ota yhteys laitteen ostopaikkaan.
- Kenwood on suunnitellut ja muotoillut Iso-Britanniassa.
- Valmistettu Kiinassa.

Vianetsintäopas

Ongelma	Syy	Ratkaisu
Monitoimikone ei toimi.	Ei virtaa. Virtaa ei syötetä eikä virtamerkkivalo syty. Kulhoa ei ole kiinnitetty moottoriyksikköön kunnolla. Kulhon kansi ei ole kunnolla paikoillaan.	Tarkista, että monitoimikoneen virtajohto on seinän pistorasiassa. Tarkista, että kulho on kunnolla paikoillaan ja että kahva osoittaa oikealle. Tarkista, että kannen lukitus on oikeassa paikassa kahvan alueella. Yleiskone ei toimi, jos kulho ja kansi eivät ole kunnolla paikoillaan.
Pienoisleikkuri ei toimi.	Pienoisleikkuria ei ole lukittu kunnolla. Pienoisleikkuria ei ole koottu oikein.	Pienoisleikkuri ei toimi, jos lukitus ei ole kunnolla paikallaan. Tarkista, että teräyksikkö on kiinnitetty pienoisleikkurin astiaan tiukasti.
Tehosekoitin ei toimi.	Tehosekoitin ei ole kunnolla paikoillaan. Tehosekoitinta ei ole koottu oikein.	Tehosekoitin ei toimi, jos lukitus ei ole kunnolla paikallaan. Tarkista, että teräyksikkö on kiristetty kulhoon tiukasti.
Yleiskone pysähtyy tai hidastuu kesken kaiken.	Ylikuormitussuojaus on lauennut. Yleiskone on ylikuormitettu tai ylikuumentunut käytön aikana. Enimmäiskapasiteetti on ylitetty.	Katkaise virta, irrota pistoke pistorasiasta ja anna laitteen jäähtyä noin 15 minuuttia. Suurimmat nopeudet näkyvät nopeuskaaviossa.
Neste vuotaa tehosekoittimen teräyksikön pohjasta.	Tiiviste puuttuu. Tiiviste ei ole oikein paikallaan. Tiiviste on vaurioitunut.	Tarkista, että tiiviste on oikein paikallaan eikä se ole viallinen. Varaosien hankkimisesta on lisätietoja huolto ja asiakaspalvelu -kohdassa.
Sekoittimen tiiviste puuttuu teräyksiköstä, kun se poistetaan pakkauksestaan.	Tiiviste on kiinnitetty teräyksikköön valmiiksi.	Irrota kannu. Tarkista, että tiiviste on kiinnitetty teräyksikköön. Varaosien hankkimisesta on lisätietoja huolto ja asiakaspalvelu -kohdassa.
Välineet/osat toimivat heikosti.	Lue vastaavissa käyttöohjeen kappaleissa olevat vinkit. Tarkista, että osat on asennettu oikein.	



HEAD OFFICE: Kenwood Limited, 1-3 Kenwood Business Park, New Lane, Havant, Hampshire PO9 2NH

kenwoodworld.com

KENWOOD

CREATE MORE