



Mi Air Purifier Pro User Manual

WARNING

- This appliance can be used by children aged from 8 years and above and persons with reduced physical, sensory or mental capabilities or lack of experience and knowledge if they have been given supervision or instruction concerning use of the appliance in a safe way and understand the hazards involved.
- Children shall not play with the appliance. Cleaning and user maintenance shall not be made by children without supervision.
- Prior to cleaning or other maintenance, the appliance must be disconnected from the supply mains.
- When the power cord is damaged, it must be replaced with a genuine power cord purchased from the manufacturer or after-sales service department.

Precautions

- Turn off and unplug the purifier before moving it.
- The purifier cannot turn on when the fan grille and the filter compartment cover are not installed properly.
- Maintain a distance of at least 20 cm between the air inlets and walls or other objects.
- Frequently remove dust, hair, and other particles from the outer mesh screen of the filter, so as to reduce the chance of bacteria growth.
- Remove dust, hair, and particles from the purifier's air inlets to prevent a reduction of air intake.
- Cover the air outlet to prevent dust, hair, and other particles from falling in when the purifier is left unused for a long time.

To avoid fire, electric shocks, or other damage, use the power cord and electrical outlet as instructed below:

- Do not excessively pull, twist or bend the power cord, as this may expose or break the cord's core.
- The power cord must be plugged into a suitable electrical outlet.
- Use the power cord that was provided with the purifier, do not use any third party power cords.
- Always unplug the purifier before carrying out maintenance to or moving the air purifier.

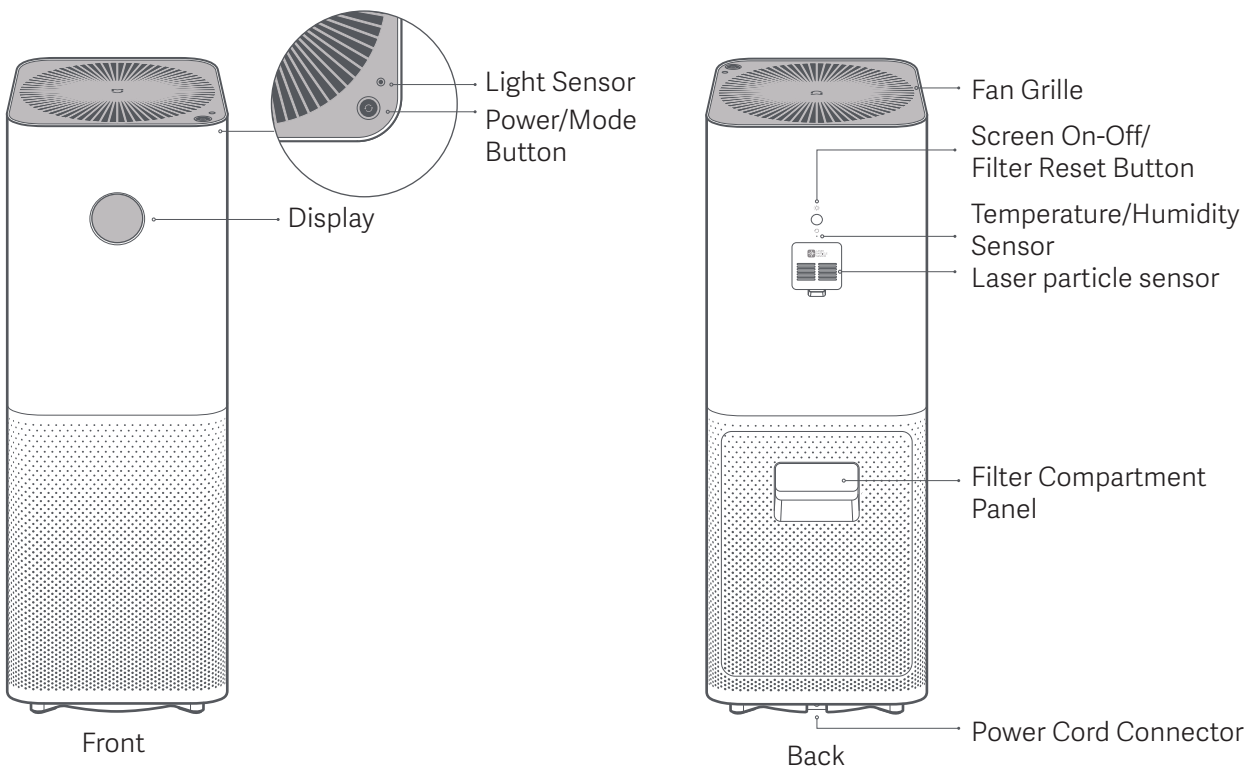
-
- Immediately stop using the purifier when it makes unusual sounds, gives off bad odors, overheats, or its fan rotates irregularly.

- Do not stick your fingers or foreign objects into the protective parts, movable parts, air inlets, or air outlets.
- Keep objects such as hairs or fabrics away from the purifier to avoid blocking the air inlets or air outlets.
- Do not sit on, lean on or tilt the purifier.
- When using in conjunction with gas-fueled appliances (such as gas stoves, gas heaters), please ventilate sufficiently to avoid carbon monoxide poisoning.
- Do not pour liquids, nor throw powders or other small substances into the purifier's air outlet.

Do not use the purifier in the following circumstances, as they may result in electric shocks, fire, or other damage:

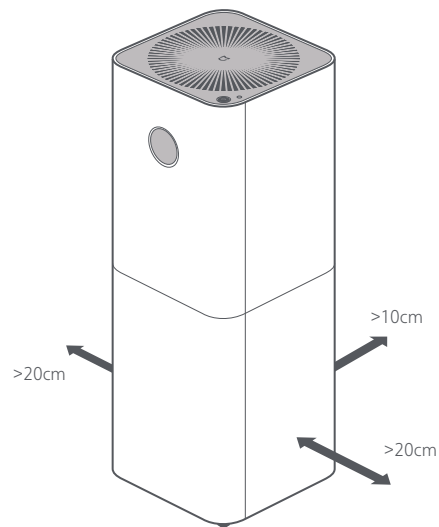
- Near open flames, such as candles, incense burners, stoves, fireplaces, cigarettes, firecrackers, lighters, multi-purpose torches, candle lighters, or fire pans.
- Near appliances that generate high temperatures, such as electric heaters, fan heaters, electric foot warmers, electric stoves, electric irons.
- Make sure no inflammable objects get into the purifier.
- In unstable locations where the purifier can easily fall over.
- In environments that are extremely hot, humid, or damp, such as bathrooms.

Product Overview



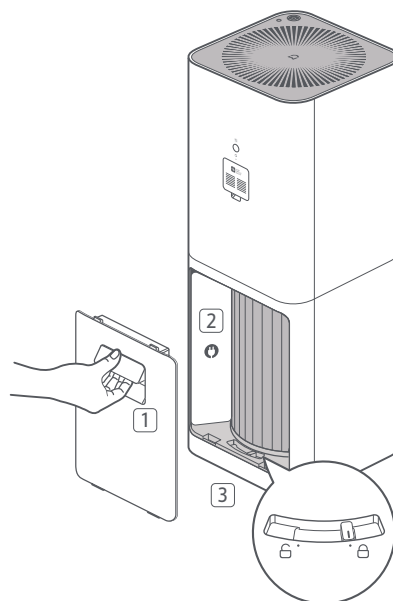
Instructions

To ensure a better purification, maintain a certain distance between the air inlets and walls or other objects.



Note: It is recommended to close your doors and windows during the purification.

Connect the power cord

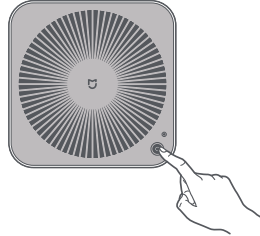


1. Open the filter compartment panel
2. Take out the power cord
3. Connect the power cord

How to use

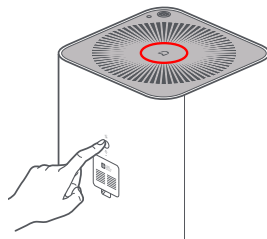
Power/Mode Button

Press the power/mode button to turn on the purifier, and to switch modes. Press and hold for two seconds to turn off the purifier.



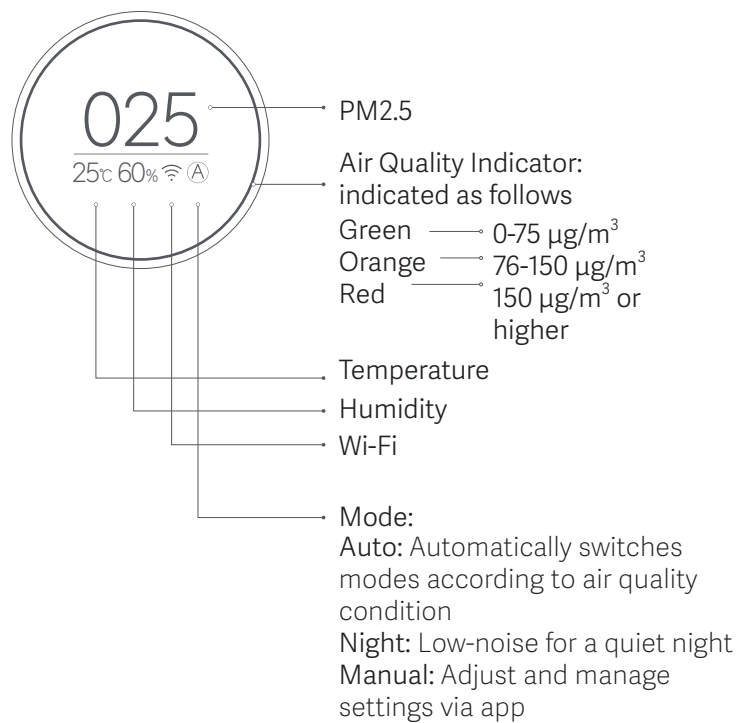
Screen On-off Button

Press the screen on-off button at the back of the purifier to turn the screen on/off.



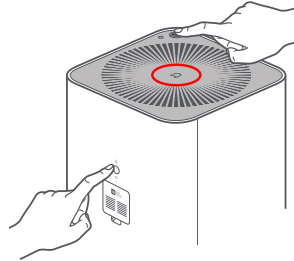
Screen Display

Information is displayed on the screen of your purifier.



Resetting the Wi-Fi

If your phone is unable to connect to the air purifier, simultaneously press and hold the mode and the light button for 5 seconds. A beeping sound indicates that Wi-Fi has been successfully reset.



Connect with Mi Home / Xiaomi Home App

This product works with Mi Home / Xiaomi Home app*.

Control your device with Mi Home / Xiaomi Home app.



Scan the QR code to download and install the app. You will be directed to the connection setup page if the app is installed already. Or search "Mi Home / Xiaomi Home" in the app Store to download and install it.

Open Mi Home / Xiaomi Home app, tap "+" on the upper right, and then follow prompts to add your device.

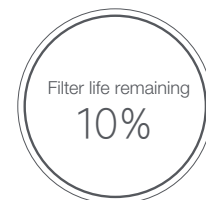
*The app is referred to as Xiaomi Home app in Europe (except for Russia). The name of the app displayed on your device should be taken as the default.

Note: The version of Mi Home app might have been updated, please follow the instructions based on the current app version.

Filter Replacement

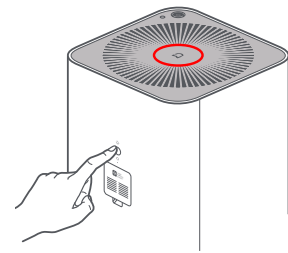
The average filter replacement period is 6 - 12 months. When the filter needs to be replaced, the screen will display the remaining service life of the filter when the purifier is turned on.

Please refer to the Filter Replacement label on the inside of the filter compartment panel for detailed instructions. Make sure to turn off and unplug the purifier before replacing the filter.



After replacing the filter turn on the purifier, and press and hold the filter reset button for 6 seconds. A beeping sound indicates that the filter has been successfully replaced, and the filter service time has been reset.

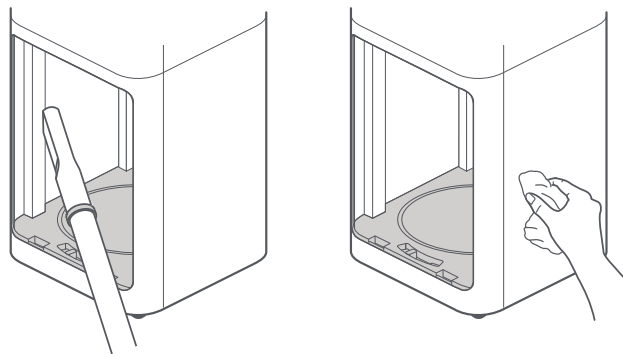
Note: Purifier with RFID label at the bottom do not require reset.



Note: When the filter is saturated by harmful gases, it may give off odors. Please place the filter in a sunny and ventilated place to eliminate odors.

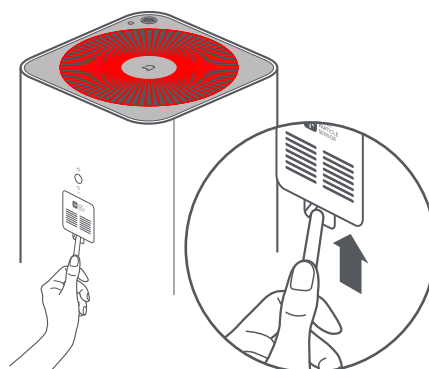
Maintenance

Please make sure to turn off the air purifier and disconnect power before performing the following operations.



Clean the filter cabinet

For best performance, use a vacuum cleaner or soft cloth to remove dust clinging to air inlets or cabinet walls.



Clean laser particle sensor

Use a non-sharp tool to open the laser particle sensor cover, and use an air blow gun or hair dryer to clean the laser particle sensor and its back cover.


Note: Do not use hot air.

Specification

Name	Mi Air Purifier Pro	Rated Voltage	100-240V~	CADR (Particle)	500 m ³ /h *
Model	AC-M3-CA	Rated Frequency	50/60 Hz	CADR (Formaldehyde)	70 m ³ /h *
Item Dimensions	260 × 260 × 735 mm	Rated Power	66 W	CCM (Particle)	P2
Net Weight	Approx. 8.0 kg	Noise Level	≤69 dB(A)	Wireless Connectivity	Wi-Fi IEEE 802.11 b/g/n 2.4 GHz
Effective coverage*	35 - 60 m ²	PM Filtering Efficiency	High	Network Standby Power Consumption	< 2.0 W
Max RF Output Power	Wi-Fi 2.4G (2400 - 2483.5 MHz): 14.85 dBm				
* Calculated based on standard Q/BJZMK0001-2018					

Regulatory Compliance Information

Europe — EU declaration of conformity

 Hereby, Beijing Smartmi Electronic Technology Co., Ltd. declares that the radio equipment - Mi Air Purifier Pro, type AC-M3-CA is in compliance with Directive 2014/53/EU. The full text of the EU declaration of conformity is available at the following internet address: <http://www.mi.com/global/service/support/declaration.html>

Disposal and recycling information



All products bearing this symbol are waste electrical and electronic equipment (WEEE as in directive 2012/19/EU) which should not be mixed with unsorted household waste. Instead, you should protect human health and the environment by handing over your waste equipment to a designated collection point for the recycling of waste electrical and electronic equipment, appointed by the government or local authorities. Correct disposal and recycling will help prevent potential negative consequences to the environment and human health. Please contact the installer or local authorities for more information about the location as well as terms and conditions of such collection points.