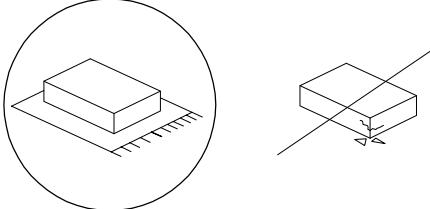


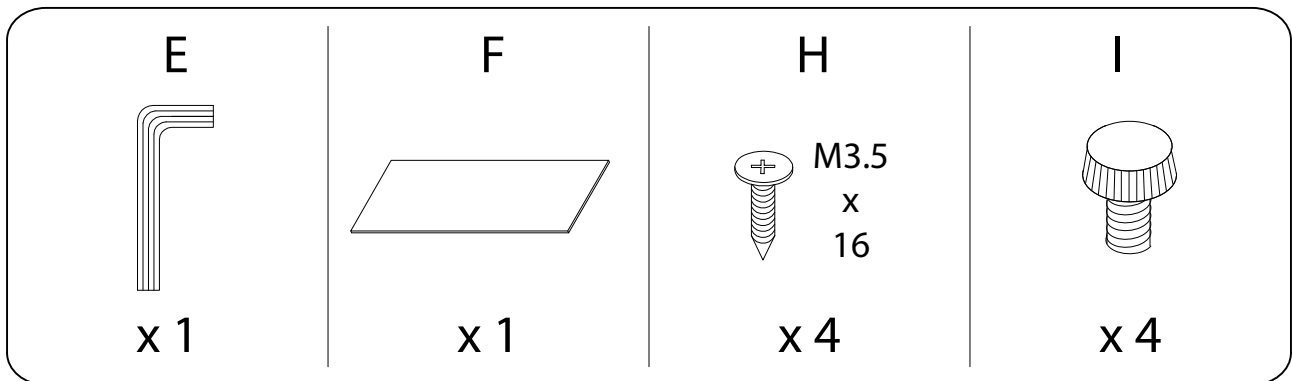
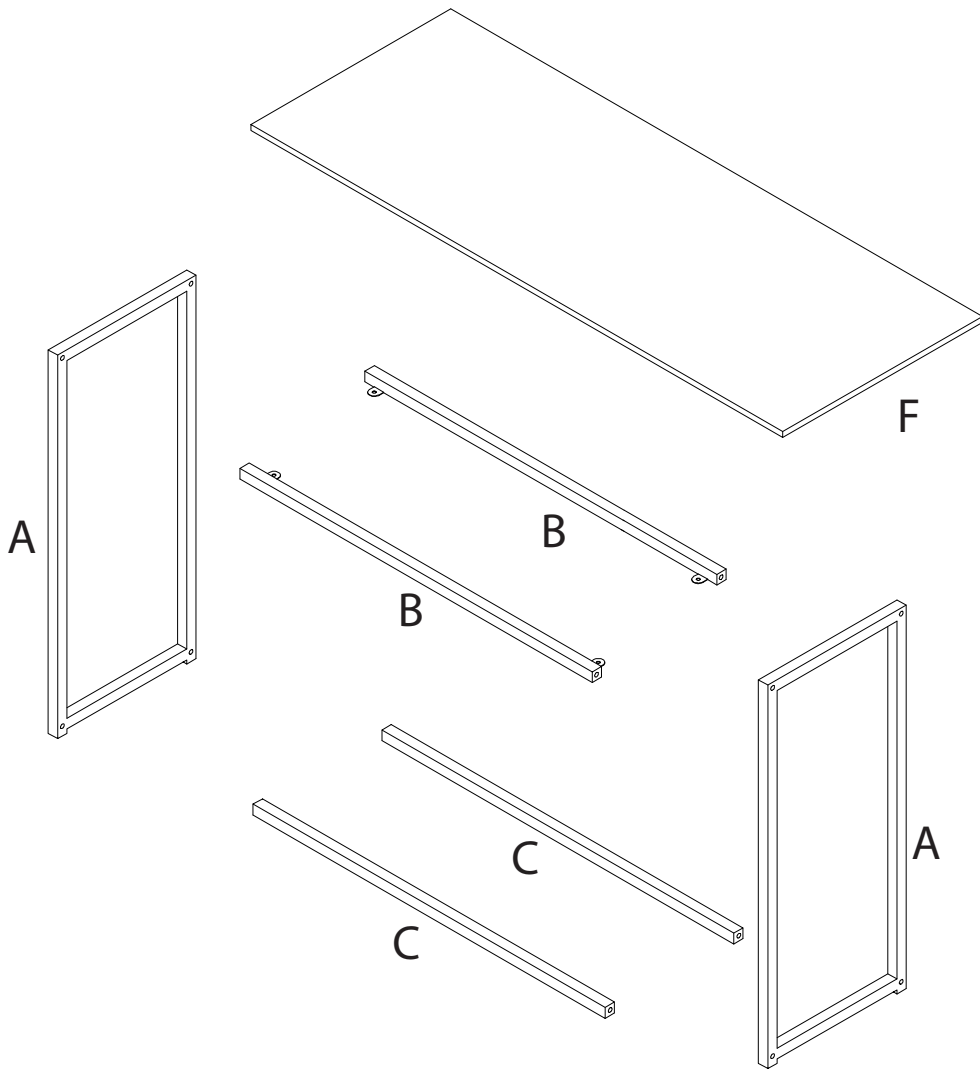
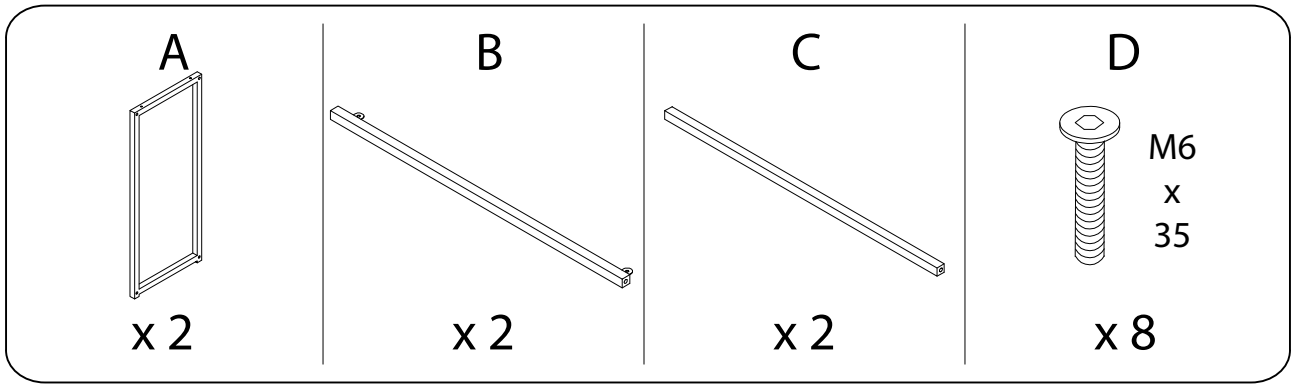
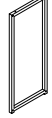

		<b>20'</b>
		
		<b>1</b>

1/5



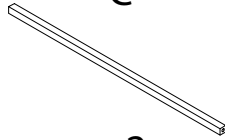
1

A



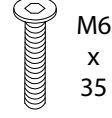
x 1

C



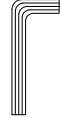
x 2

D

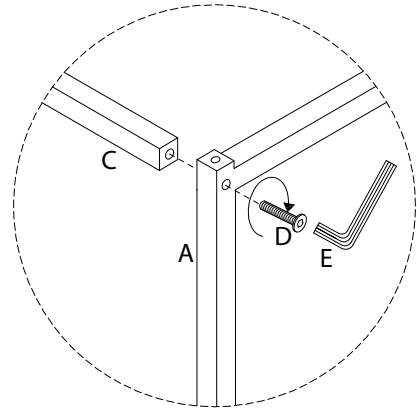
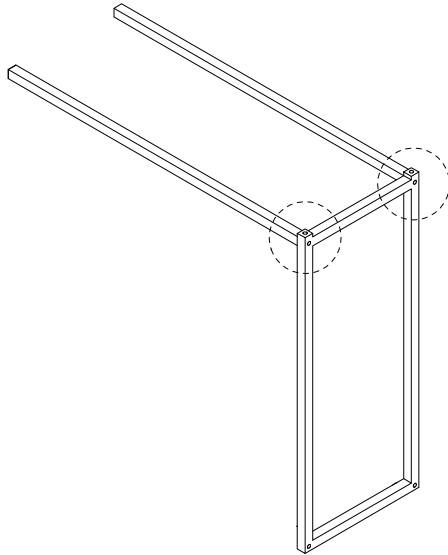


x 2

E

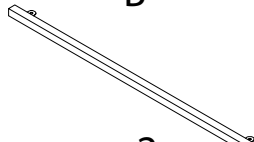


x 1



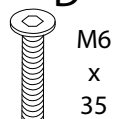
2

B



x 2

D

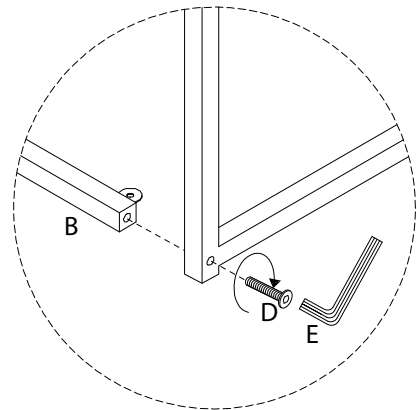
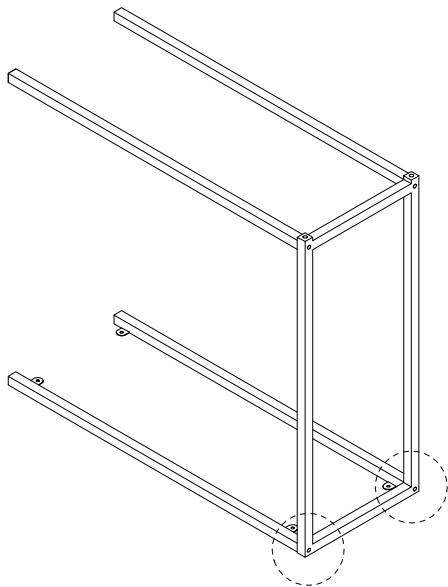


x 2

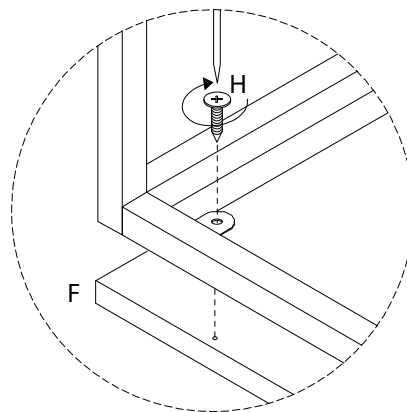
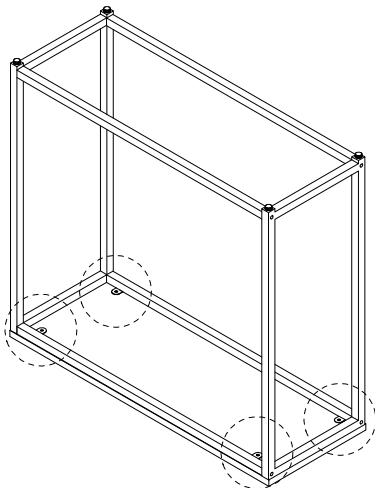
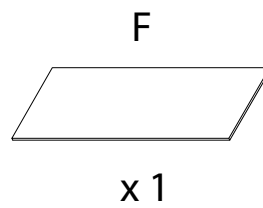
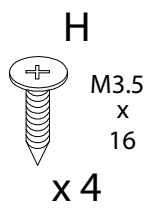
E



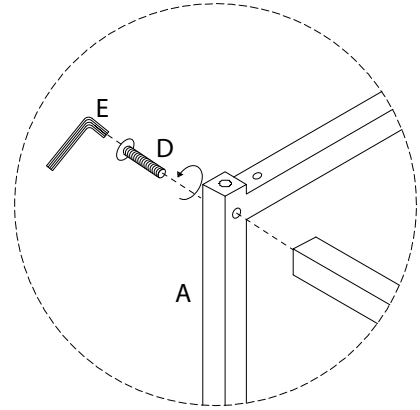
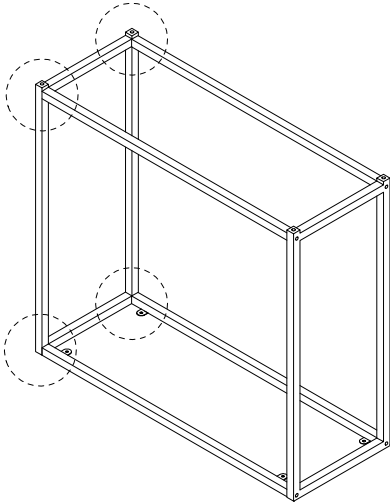
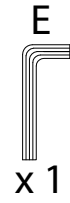
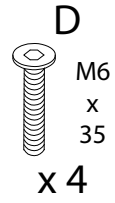
x 1



5



3



4

