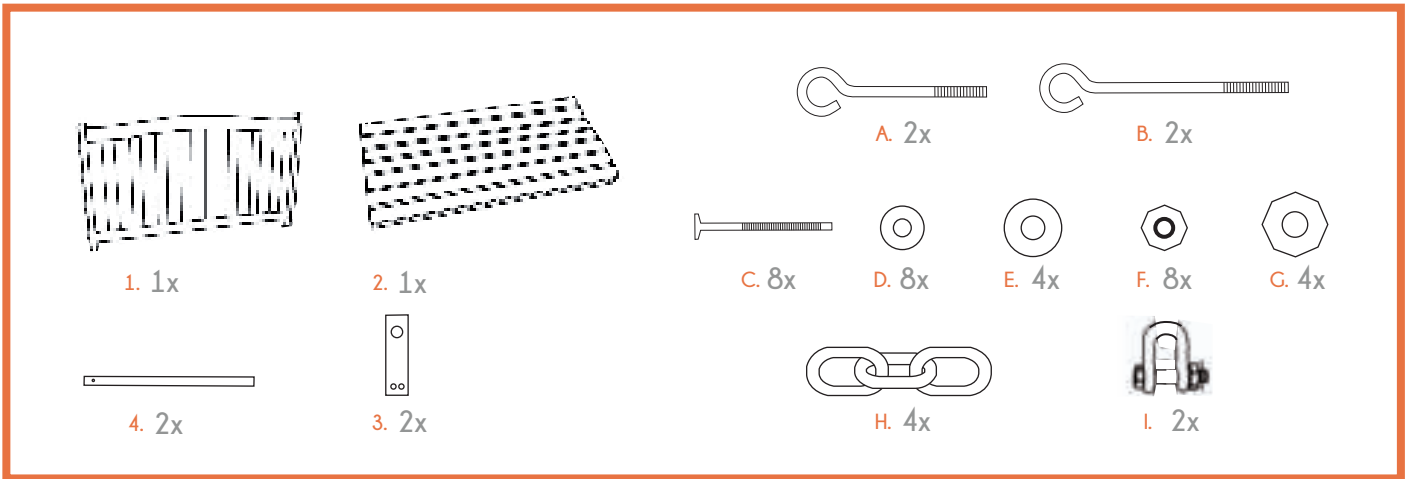
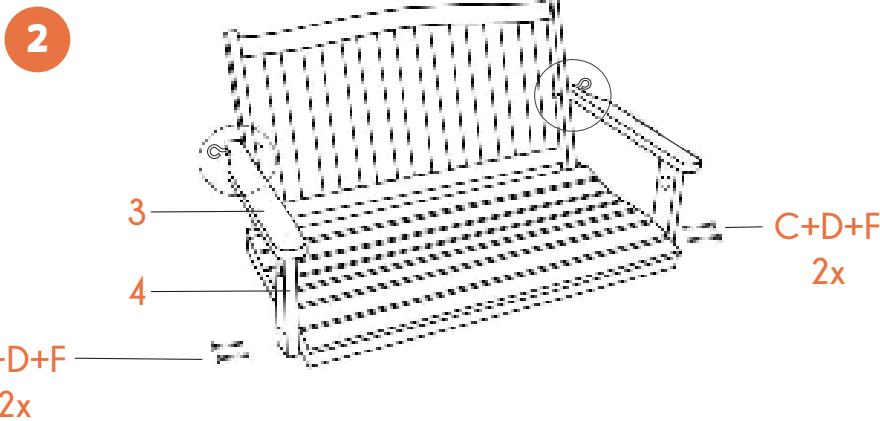
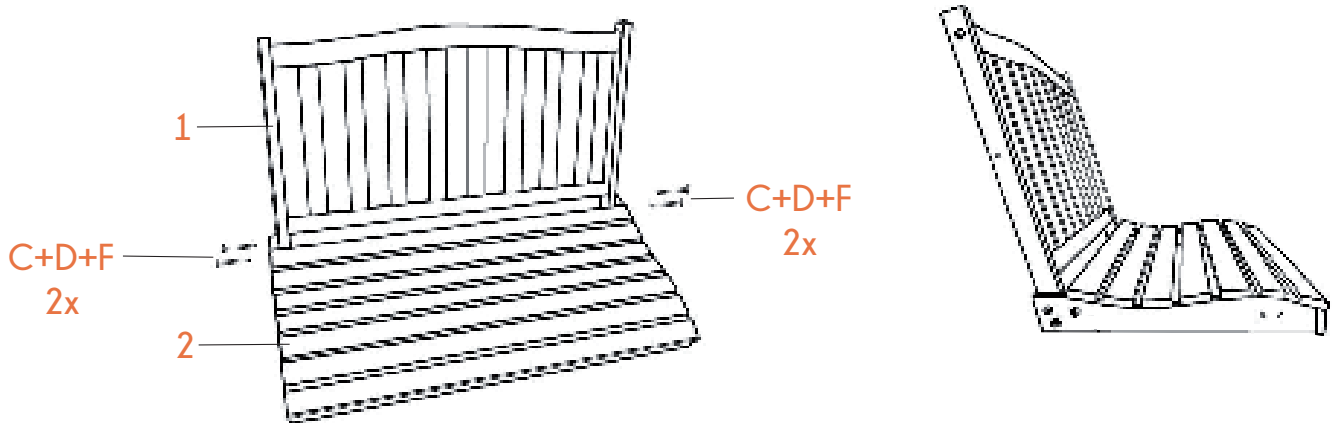


OP-6147-V1



**1** moeren licht aandraaien

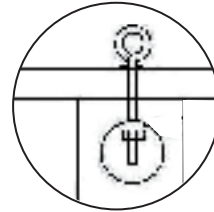
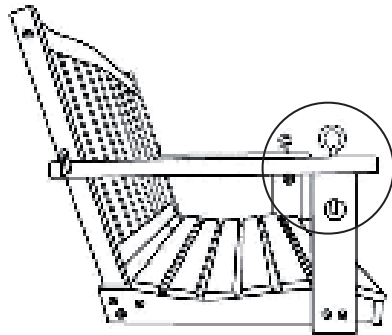


Care instructions

- Tighten the screws at the end of the construction and check them regularly afterwards
- Do not use power screw drivers as they might cause splitting
- Only use special cleanser or impregnate oil to clean wooden products and water and soap for aluminium and steel products
- Use soft brushes when cleaning to avoid scratching the surface
- Protect your furniture/products with a cover when you are not using it

# Swing bench 120 cm

3

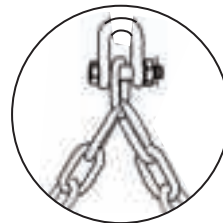
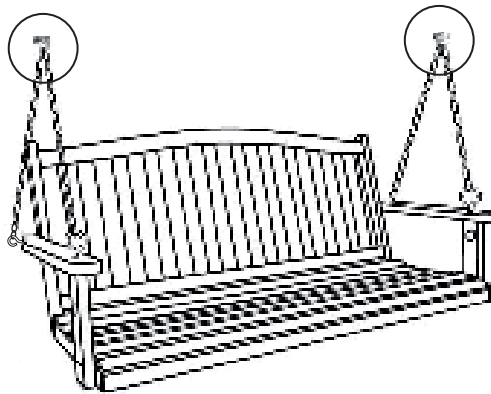


B+E+G  
2x

4

alle moeren vast aandraaien!

5



H+I  
2x

### Care instructions

- Tighten the screws at the end of the construction and check them regularly afterwards
- Do not use power screw drivers as they might cause splitting
- Only use special cleanser or impregnate oil to clean wooden products and water and soap for aluminium and steel products
- Use soft brushes when cleaning to avoid scatching the surface
- Protect your furniture/products with a cover when you are not using it