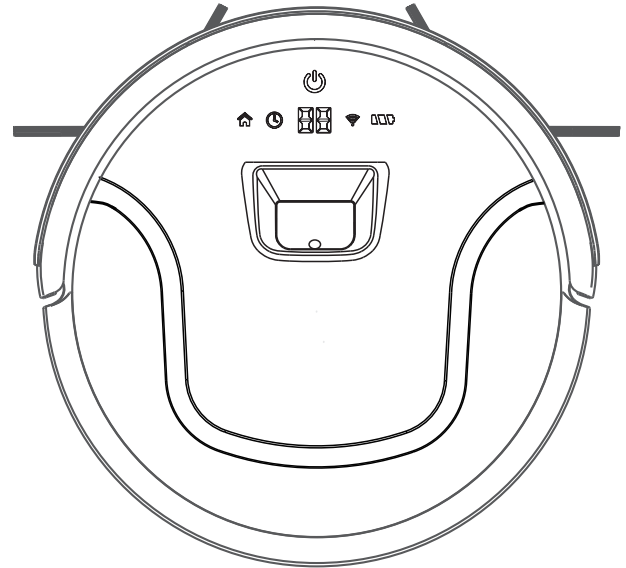


Robot Vacuum Cleaner Instruction Manual Visual Navigation series

Clean·So excellent



Thank you for choosing our product
Please read this instruction carefully before use

QUICK-START INSTRUCTION

Important instruction before using



Please remove the EVA protection stopper before using.



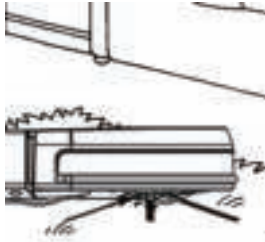
Clear the area to be cleaned. Remove power cords and small objects from the floor, tuck rug fringe under the rug base, and lift items such as curtains and tablecloths off the floor.



Turn the power switch, "1" to ON, "0" to OFF



Important instructions of function



Do not use MOP function on the carpet.



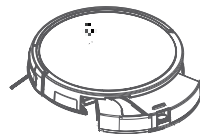
Do not charge the robot under MOP mode. And the robot will not response to the "Auto recharge" if you press this button on remote controller.



Seal the water inlet cover well, otherwise the water will release too fast from the water tank.



Under Mopping, please pay attention to the robot, add water or clean up water tank in time.



Two ways for charge

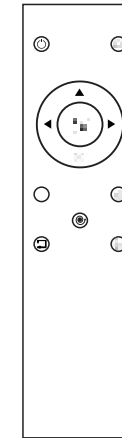
If there are any faults show up, please restart the robot after fault soived.



Direct Charge by Adapter plug in the robot charge hole



Put the robot onto the charge dock, make sure the charge pins in well contact, connect the Adapter with the charge dock and then connect to the power supply.



Note: The robot will only response to "Clean" button on robot and "Start/Stop" button on remote controller when it under charging. Any other buttons will not response and show up the voice "Wrong instruction".

Table of contents

- 001 Quick Start Instruction
- 003 Important information
- 004 Safety instructions
- 005 Components
- 009 Operation
- 013 Cleaning and maintenance
- 015 Trouble shooting
- 017 Specifications
- 018 Appendix-Operatinginstructions

Important information

Use

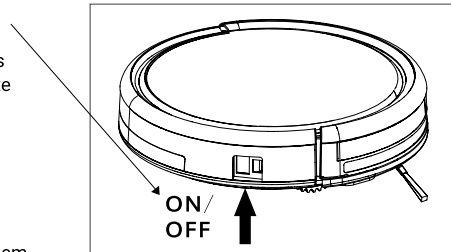
Before using the robot, make sure that the power outlet is switched on and remove all obstacles from the immediate environment.

The robot will pass over each section of the floor several times to ensure thorough cleaning.

The rotating brushes may occasionally reject smaller particles (dogfood, cat litter), but the robot will remove them all eventually.

Empty the dust box after each use to ensure maximum performance.

The robot may eject some of the dirt if the dust box is full, although it does not emit a warning signal.



For maximum performance

- Empty the dust box and clean the filter of the IMASS after each use.
- Do not use water to clean the HEPA filter.
- Replace the HEPA filter if the suction power of the IMASS diminishes and the robot removes less dirt than before.

Battery life

To extend the battery life of the of the IMASS and maintain maximum suction power:

- Charge the robot overnight before using it for the first time.
- Switch off the power supply if the robot will remain unused for a longer period.
- Charge the robot as quickly as possible; leaving it for days in the docking station can damage the battery.
- Use the robot frequently.

Warning: The product contains electronic components. Do NOT immerse the IMASS in water or spray it with water. Only use a dry cloth to clean the robot.

Safety instructions

Carefully read the following safety instructions and adhere to all of the instructions before putting the device into operation.

- Make sure that the device is switched on before attempting to use it.
- Turn off the device using the switch on the right if the device will remain unused for a longer period.

WARNING

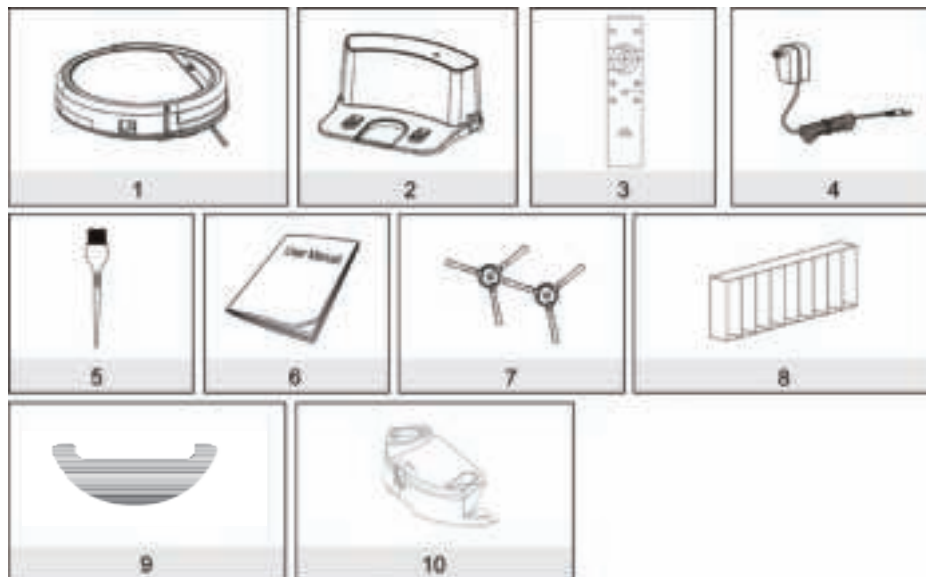
1. Only authorised technicians may dismantle the device. Users must never dismantle or repair the device.
2. Only use the original adapter supplied by the manufacturer. The use of unsuitable adapters may cause electric shocks and fire or damage the device.
3. Do not touch the plug or the adapter when your hands are wet.
4. Do not allow items of clothing or limbs to become caught in the wheels on the device.
5. Keep the device away from cigarettes, lighters, matches or other flammable materials.
6. Wait until the battery is fully recharged before cleaning the device.
7. Do not use force to bend the power cable and do not expose it to pressure from heavy or sharp objects.
8. The device is only intended for use in closed rooms. Do not use it outside.
9. Do not sit on the device or place any object on top of the device.
10. Do not use the device in a wet or damp environment (any environment in which there are liquids).
11. Clear the floor before using the device (remove all breakable objects and cables, clothes, papers and curtains, etc., as they may become caught in the device).
12. Do not place the device in a position from which it may fall (tables, chairs, etc.).
13. Turn off the power supply if the device will remain unused for a longer period.
14. Check before each use that the adapter and plug are correctly connected.
15. Tell everyone in your home or office when the device is in operation so that nobody trips over the device.
16. The device is unable to overcome elevation differences of more than 10 mm.
17. Only use the device in the temperature range between -10 °C and +40 °C (degrees Celsius) and do not expose the device to higher temperatures.
18. Remove the battery before scrapping the device.
19. Disconnect the device from the power supply before removing the battery.
20. Dispose of the battery properly.

Note: Make sure that children and persons with mental or physical handicaps are supervised when using the device.

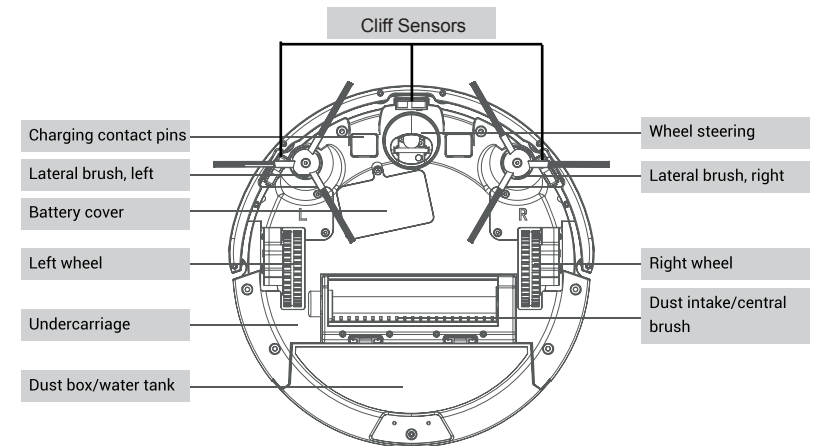
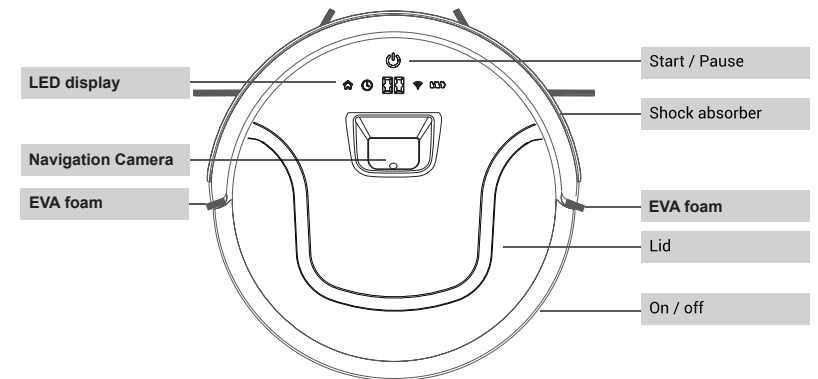
Components

Components and accessories

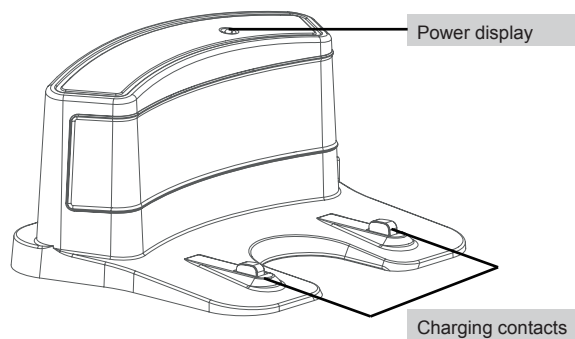
No.	Description	Quantity
1	Main unit	1
2	Docking station	1
3	Remote control (battery included)	1
4	Adapter/power pack	1
5	Cleaning tool	1
6	Operating instructions	1
7	Additional lateral brushes	2
8	HEPA filter	1
9	Microfiber cloth	1
10	Water tank	1



Robot design



Docking Station

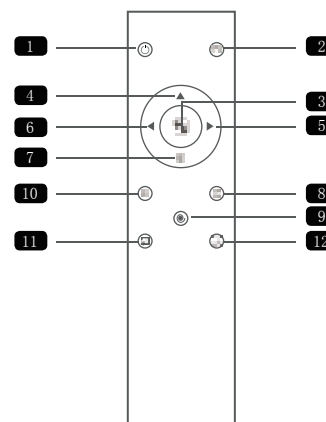
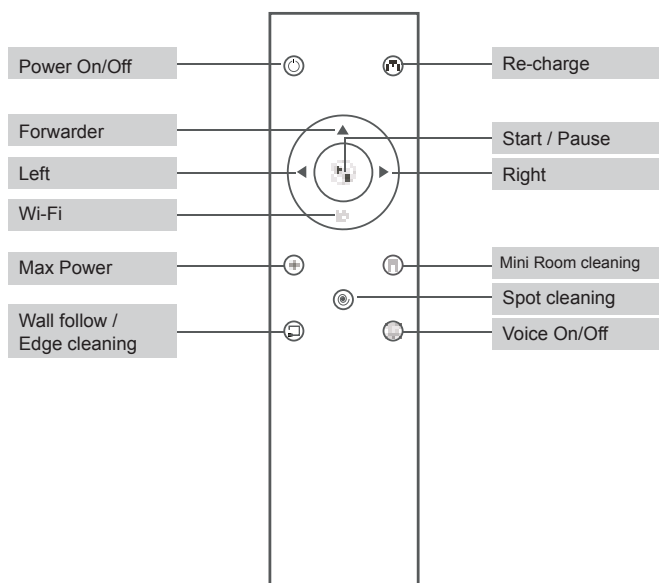


CLEAN status button

Robot Status	Display status
Charging	Display flashes Red
Charge complete	Display in green
Operating mode	Display in Green
Robot error	All display flash
Low battery	Display turns red

Using the remote controller

Remote controller



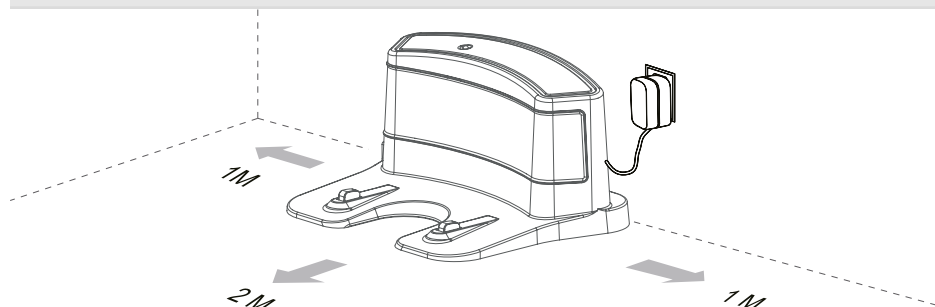
Note:

- 1) Place two AAA type batteries into the remote controller.
- 2) Remove the batteries if you will not use the remote controller for a long period.

- 1 Press this button to turn on / off the robot
- 2 Press this button to send the robot back to charging station for re-charge
- 3 Press this button to start / pause cleaning
- 4 Press this button to move the robot forward
- 5 Press this button to turn the robot to right
- 6 Press this button to turn the robot to left
- 7 Press this button to turn on the Wi-Fi of robot
- 8 Press this button to clean in a small area
- 9 Press this button to start spot cleaning
- 10 Press this button to start max power cleaning
- 11 Press this button to start clean along the wall
- 12 Press this button to turn on/off the voice guide

Operation

How to start cleaning



1

Assemble the docking station and switch on the adapter. The signal lamp on the docking station should start to flash.

Note: Place the docking station close to a wall and remove obstacles approx. 1 m on both sides and approx. 2 m in front of the device.

2

Switch on the power supply. The display should now flash.

The robot vacuum cleaner switches to sleep mode if it does not receive any commands within 16 seconds.

Note:

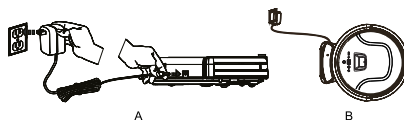
- A. Make sure that the power switch is always turned on, as the robot cannot be put into operation otherwise.
- B. The selected mode is stopped if the power switch is turned off.

Attention: Make sure that the power switch is turned on before charging the robot, as the robot cannot charge otherwise.

3

Charge the robot in a scenario as shown below:

- A. Connect the plug to a socket.
- B. Press the HOME button to send the robot back to the docking station for charging.



To extend battery life:

- A. Charge the robot overnight before using it for the first time. The display field disappears when charging is complete.
- B. During normal use, always return the robot to the docking station, which is connected to the power supply.
- C. Fully charge the robot, then turn off the power switch and place the robot in a cool, dry place if you will not use it for a longer period.

4

Automatic charging

The robot automatically returns to the docking station when the battery is low.

Start/pause/sleep

Sleep mode

The robot vacuum cleaner is not in operation. The LED display on the clean button is turned off and the power switch is on.

Selected mode

The robot vacuum cleaner is not in operation. The LED display on the clean button flashes.

Cleaning mode

The robot vacuum cleaner is not in operation. The LED display on the clean button is illuminated.

1. Commissioning

- A. Make sure that the power switch is turned on.
- B. Press the CLEAN button on the main unit or the remote control to start cleaning.

Note: When the robot is in sleep mode, press the robot's CLEAN button to wake it up. The robot will immediately start cleaning if you press the CLEAN button a second time.

2. Pause

Press the CLEAN button on the main unit or the remote control to switch the robot from cleaning mode to the selected mode.

Note: If you have paused the robot, press the CLEAN button to restart cleaning.

3. Sleep

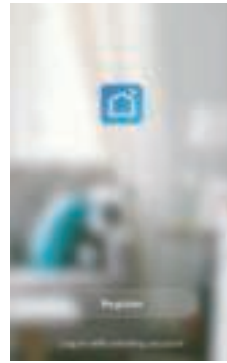
To switch the robot from the selected mode to sleep mode:

- A. Press and hold the CLEAN button on the main unit for three seconds.
- B. The robot automatically switches to sleep mode if it does not receive a command within 15 seconds.

APP Instruction Manual

Note: The APP only apply to the Robot with WiFi function

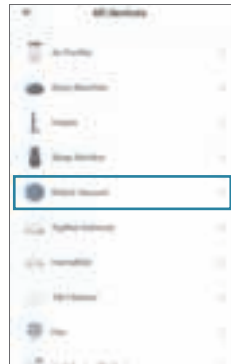
1、 Please scan the QR code below to download the APP ;
(Please keep your mobile phone connecting to WiFi)



2、 Register & Log in the APP



3、 Click **Add Device**, then select All Devices at top-right side.



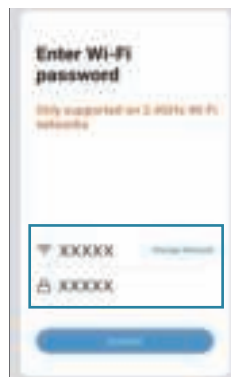
4、 Find **Robot Vacuum** in the list and Select it.



5、 Turn on your Robot, after the welcome words voice, **press WiFi button on remote controller** until " Ding Dong" sound show up.



6、 The indicator light will keep blinking when enter Wi-Fi setting Click **"Confirm indicator rapidly blink"**

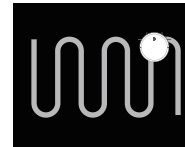


7、 Fill in your home WiFi name and password. (Please make sure to fill in correct name and password)



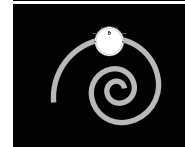
8、 Click **Completed** after robot added successfully

Cleaning mode



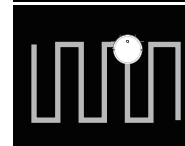
Auto-cleaning mode (default mode)

This is the most frequently used mode. When in auto-cleaning mode, the robot describes a zigzag pattern during cleaning and changes direction when it encounters an obstacle.



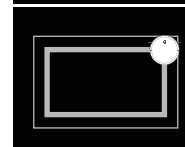
Spot cleaning mode

This mode is selected to deal with a lot of dirt or dust in one place. When in spot cleaning mode, the robot describes a spiralling pattern around a particular area it has been instructed to clean.



Zigzag smart cleaning mode

This mode is selected to deal with a lot of dirt or dust in a small area. The robot describes a zigzag pattern with a width of 1 metre to ensure thorough cleaning.



Edge cleaning mode

This mode is selected to clean the edges and corners of a room. When in edge cleaning mode, the robot cleans along an edge (e.g. a wall). The robot automatically returns to default mode once it has cleaned all areas.



Schedule for cleaning mode

This mode is used to define an automatic cleaning schedule. It is defined using the smartphone app (note: the default cleaning mode for scheduled cleaning is AUTO cleaning mode).

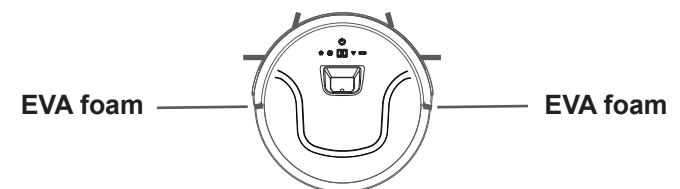
[Water release level adjustment for MOP]

△ For Electric Control Water Tank only

Press "⊕" button to enter water release level adjustment mode when the water tank set in position Press "⏮" one time to set up one level, Press "⏪" one time to set down one level, total 3 levels Low - Medium - High.

After adjustment done, press "⊕" to confirm, or after 5s without any operation, robot will confirm and quit the adjustment mode automatic.

Note: Please remove the EVA foam before using the robot



Cleaning and maintenance

Cleaning the lateral brushes

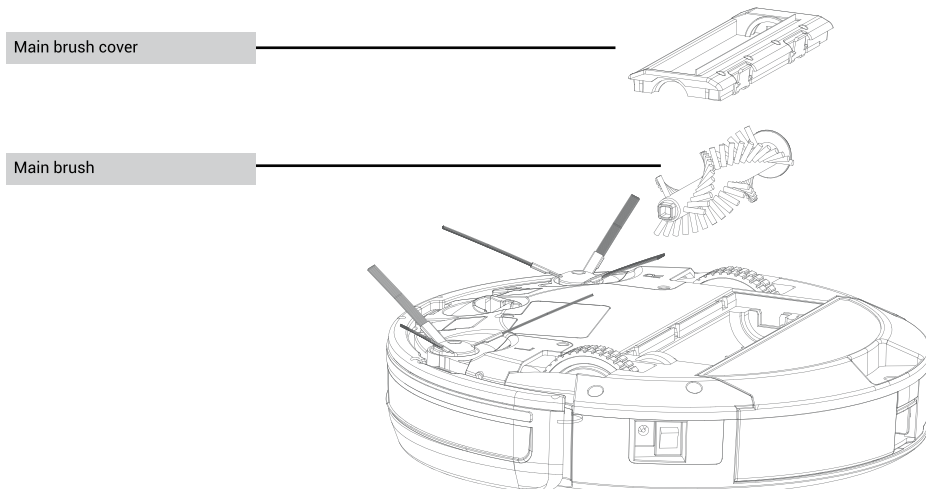
Clean the lateral brushes and replace them if they are damaged.

Note: Before replacing the lateral brushes, check the L & R markings on the two lateral brushes and make sure they match the corresponding markings on the under carriage of the robot.

Cleaning the main brush

A) Turn off the robot vacuum cleaner. Press the two tabs on the main brush cover to remove the main brush. Remove the main brush from the right. Use the supplied cleaning kit to remove hair and other dirt from the main brush.

B) Rinse the main brush under running water and do not replace it until it has dried completely.



Cleaning the dust box and the filter

Hold the dust box in a horizontal position and press the yellow unlocking button to open its lid -- empty the dust box -- remove the filter -- rinse the dust box, the filter webbing and the sponge filter under running water -- dry the dust box, filter webbing and the sponge filter completely before replacing them in the robot.

Remark:

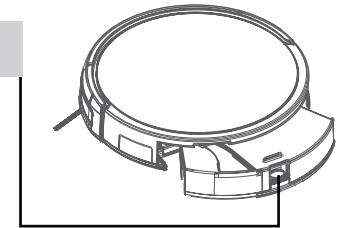
1) Switch off the robot and disconnect the docking station plug before cleaning and maintaining the robot.

2) Check that there are no objects in the suction intake and then clean it.

3) The filter lasts for 24 months; please clean the filter once or twice a month.

4) Make sure that the dust box, the filter webbing and the sponge filter are completely dry before replacing them. (Note: Do not expose the filter to direct sunlight for extended periods).

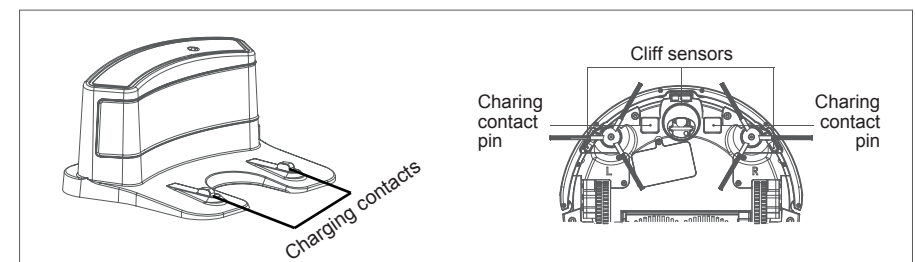
Unlocking button for the dust box (yellow)



Cleaning the cliff sensors and charging contacts

Use a soft dry cloth to gently clean the sensors' window and the charging contacts.

Note: Do not use water or liquid to clean the sensors or charging contacts.



Troubleshooting

LED digital display code list

01	Standby
02	Wall follow / Edge cleaning mode
03	Cleaning
04	Back to charging dock
06	Infrared remote control
10	Charging
14	Pause

* Note: Under regular status, the LED display in Green light

[Error code list]

Error code	Description & Solution
02	Main brush entangled, please clear the main brush
04	Left wheel entangled, please clear the left wheel
05	Right wheel entangled, please clear the right wheel
07	Side brushes entangled, please clear the side brushes
09	Anti-collision sensors in stuck, please clear the anti-collision bumper
12	Ground sensors had been blocked, please clean the sensors
13	Low battery, please charge the battery
15	Fan motor entangled, please clear the fan motor
18	Unusual error, please contact us to solve the problem

* Note: Under error status, the LED display in Red light

Error message

Error message	Possible cause	Solution
Acoustic signal	Side wheel on the robot is blocked	Remove hair and dirt from the robot's wheels. Push in and pull out the wheels and then check that they are rotating freely. Restart the robot at a new location.
Acoustic signal	Main brush is blocked	Check the main brush, then remove and clean it.
Acoustic signal	The shock absorber is not working properly.	Tap the edge of the robot's shock absorber 10–20 times in quick succession to remove any deposits trapped beneath the shock absorber.
Acoustic signal	Weak battery capacity. Does not charge completely.	Replace the battery. Recharge the battery.
Acoustic signal	Poor contact	Clean the charging contacts/docking station and check the connection between the docking station and the battery. Check the contacts on the docking station.
Acoustic signal	HEPA filter is dirty or wet.	Clean or replace the HEPA filter.
Acoustic signal	Dust box is full.	Empty the dust box.
Acoustic signal	Cleaning performance is diminished or dirt falls out of the device.	Dust box is full; clean the dust box.

Note:

Do the following if none of these solutions help.

1. Press the power switch to reset the robot.
2. Please contact your dealer if resetting the robot vacuum cleaner does not help.

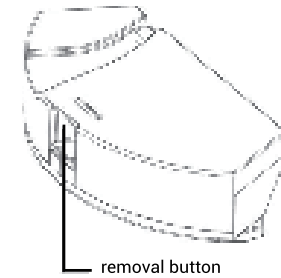
Specifications

Classification	Item	Details
Mechanical specifications	Diameter	315 mm
	Height	71.5mm
	Weight	4,5 kg
Electrical specifications	Voltage/power	14.8 V / 30 W
	Battery specifications	Lithium Ion 2600mAh
Cleaning specifications	Dust box capacity	0.8 L
	Charging methods	Auto-charging/manual charging
	Cleaning mode	Auto, spot, edge, daily schedule
	Charging time	Approx. 240 min
	Cleaning time	Up to 150 minutes
Water tank capacity		0.35 l

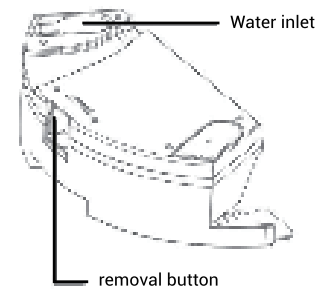
Remark: Keep the device in the temperature range between -10 °C and +40 °C.

Appendix – Operating instructions

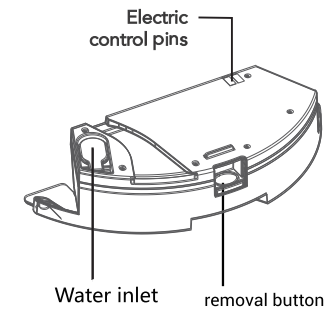
Dust box



Water tank



Electric Control Water Tank (optional)



- 1 The filling funnel is used for chemical cleaning and the water tank for wet cleaning.
- 2 Make sure that the mop is attached before activating the mopping function.
- 3 Pour water into the water tank.
- 4 Place the water tank into the robot. Make sure that the outlet aperture on the water tank is aligned with the outlet aperture on the robot unit.
- 5 Press the CLEAN button to start mopping. The vacuum function is not available during mopping.
- 6 It is advisable to carry out vacuum cleaning (chemical cleaning) before mopping in order to achieve a better result.
- 7 Remove the water tank when the robot vacuum cleaner is being charged.