

3 in 1 Wireless Charger User Guide

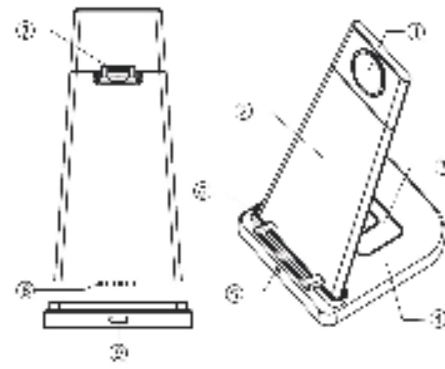
Features of Product:

- ① **3 in 1 Wireless Charger :**
 - 5W-7.5W-10W-15W phone wireless charger, it's compatible with iPhone and Android phone.
 - Wireless charger for airpods.
 - Wireless charger for apple watch.
- ② **Detachable Charging Pad:** The wireless charging pad can be removed from the base.
- ③ **Foldable Charger for Watch:** The wireless charger for watch can be folded backward while charging.
- ④ **Compact Design:** Small size, easy to use and carry.
- ⑤ **Suitable for Use:** Travel, home, hotel, office, restaurant, bar, etc.

Specifications:

Model	YM-UD21
Input Voltage/Current	DC 9V-2A
Wireless Output for Phone	5W / 7.5W / 10W / 15W Max.
Wireless Output for Airpod	5W Max.
Wireless Output for iWatch	2W Max.
Material	ABS+PC Fireproof Material
USB Cable Length	120cm
Product Sizes	L99*W88*H148mm
Net Weight	155g
Color	White /Black /Silver /Gray / Rose-Gold...

Product Diagram:



- ①. Wireless Charger for iWatch
- ②. Wireless Charger for Mobile Phone
- ③. Charger Base
- ④. LED Power Indicator
- ⑤. Phone Holder
- ⑥. Folding clip
- ⑦. Input Interface
- ⑧. Power Connector
- ⑨. Input Interface

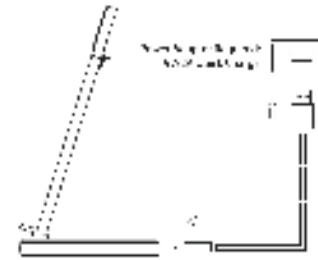
Instructions:

1. Install the wireless charger on the charger base.



2. Connect YM-UD21 to power adapter by USB (or Type-C) cable.

✳ Quick charge 9V/2A (18W min.)QC or PD power adapter is required.



3. Fold the watch charger backward.



4. Charge your Devices.



① Charge your watch ② Charge your phone ③ Charge your Earphone

Safety Tips:

Please adhere to these basic precautions while using this product, as follows:

1. Read all the instructions before use.
2. Never store or use this product in temperatures below 32°F (0°C) or above 86°F(30°C).
3. Do not expose the device to fire or excessive temperature. Exposure to fire or excessive temperatures may cause an explosion.
4. Do not expose the device to moisture.
5. Keep away from water or other liquids which may lead to short circuit while using the product.
6. Close supervision is necessary when the product is used near children.
7. Do not use this wireless charger if damaged or modified.
8. Do not disassemble the device. Seek a qualified service professional if it requires repair. Incorrect reassembly may result in risk of fire or injury.
9. Ensure that qualified service professionals use only identical replacement parts to ensure product safety.
10. Accessories placed on the back of your smart phone can impede the effectiveness of the wireless charger, and lead to overheating. Please remove accessories from the phone before attempting wireless charging.
11. Remove your phone /watch /earphone when it is fully charged. Please unplug the power adapter when your devices are fully charged.

CE FC RoHS Recycle Made in China