



The mark of
responsible forestry



PLUM[®] CHILDREN'S GARDEN PICNIC TABLE WITH PARASOL



25075

ASSEMBLY INSTRUCTIONS

for children 18+ Months

**Assembly requires 1 adult
(approx. 1 hour assembly time)**

FOR OUTDOOR DOMESTIC USE ONLY

Warning: not suitable for children under 36 months
until fully assembled due to small parts - Choking Hazard

Warning: adult supervision required at all times

Advisory Section

To ensure the safety of you, the installer and your children, it is important that these instructions are read fully before commencing the positioning and installation of this product.

- In inclement weather remove parasol.
- Assembly to be carried out by a competent adult only.
- During assembly children should be kept away from the product due to possible risk of injury.
- Do not use this item if any components are missing or damaged.
- The maximum child weight or load for which the product is suitable is 50Kg.
- Use on a flat surface and not to be installed over concrete, asphalt and any other hard surface.

Timber Advice

This product has been made from premium timber. Great care has been taken in selecting, treating and machining the timber before it is presented to you. Timber is a natural product and as such may experience changes throughout the course of its life. This means it may:

- Develop openings (gaps, slits, apertures, cracks, splits) along the line of the grain. These openings are due to the difference in moisture content between the internal and outer surfaces of the timber. This is to be expected, is totally acceptable and will not affect the integral strength, life or guarantee of the product.
- Warp and distort its shape. Any distortion will be slight and will not affect the safety or enjoyment of this product.
- Fade as the timber reacts with sunlight. The timber should be treated with a proprietary product to act as a protective barrier, i.e. a water repellent, on an annual basis.
- After first year of service treat product with a good quality treatment safe for children's use.

Routine Maintenance

It is advised that on a regular basis (i.e. at the beginning of the season and monthly thereafter) all main parts/ fixings are checked as secure, well oiled (if metallic), have no sharp points/edges and are intact. Replace, oil and/or tighten when necessary. Failure to do so may result in an injury or hazard.

Fabric Parts are shower-proof only.

Remember to keep these instructions in a safe place for future reference.

Plum Products Ltd,
72 High Street, Horsell,
Woking, Surrey, GU21 4SZ, UK
Tel: 0844 8805302, Fax: 01483 771162

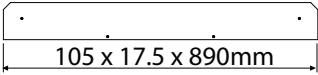
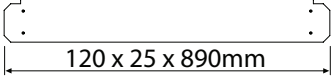
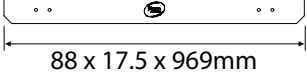
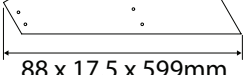
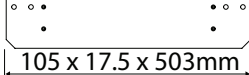
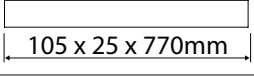
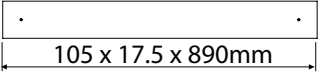
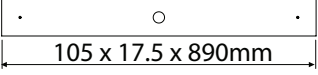

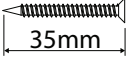

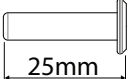
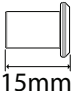

www.plumproducts.com

Plum Products Australia Pty Ltd,
PO Box 1014, Spit Junction,
Sydney, NSW 2088, Australia
Tel: 02-99605500
Helpline: 1800 900 161
Email: plumaustraliahelpdesk@plumproducts.com

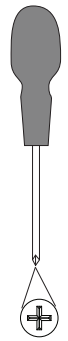


Copyright Plum Products 2011

PARTS LIST

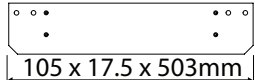
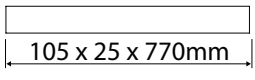

PART ID	DIMENSIONS WITH GRAPHIC	QUANTITY
D1530	 105 x 17.5 x 890mm	2
D1533	 120 x 25 x 890mm	2
D1534	 88 x 17.5 x 969mm	2
D1535	 88 x 17.5 x 599mm	4
D1536	 105 x 17.5 x 503mm	2
D1538	 105 x 25 x 770mm	2
D1557	 105 x 17.5 x 890mm	2
D1558	 105 x 17.5 x 890mm	1
PAR01		1
M4x35mm	 35mm	14
M4x50mm	 50mm	16
SH:M6x25mm	 25mm	16
SH:M6x15mm	 15mm	16
ALLEN KEY		2

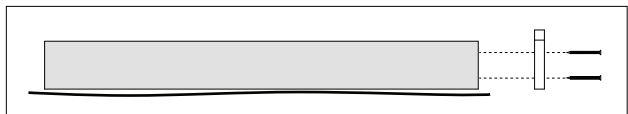
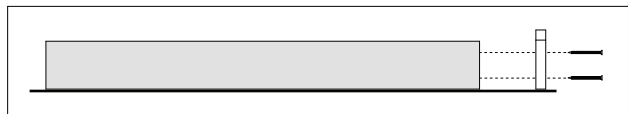
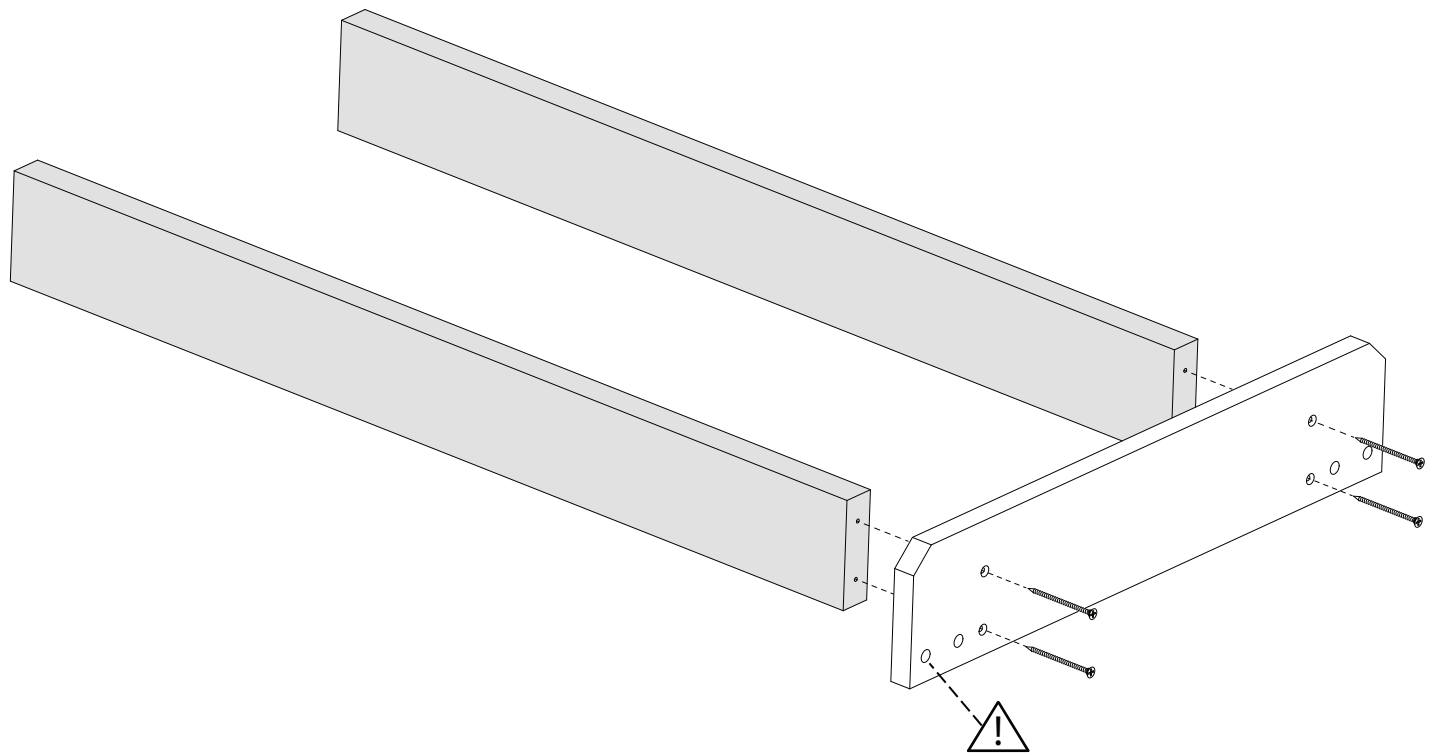
TOOLS REQUIRED:



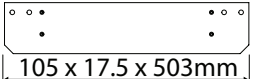

POZI
(PZ2)

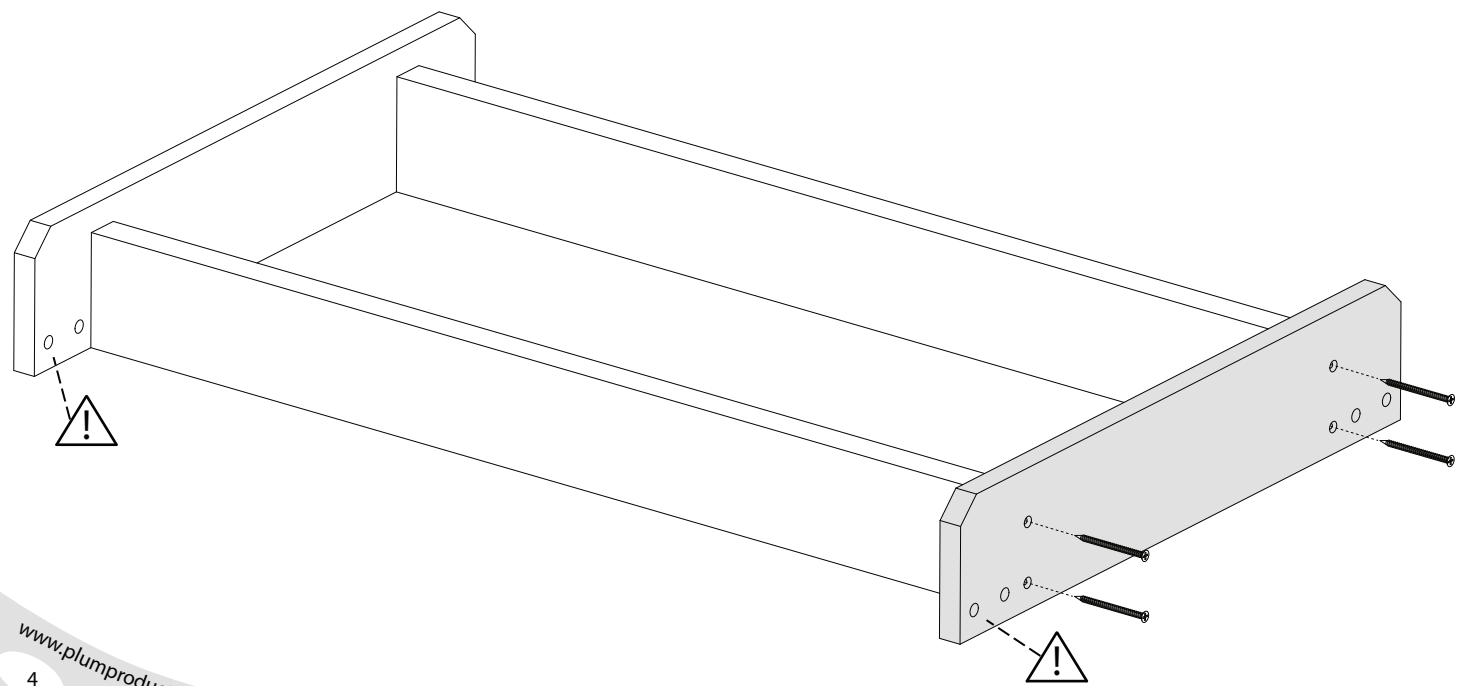
1

D1536  x1 | D1538  x2 | M4x50mm  x4



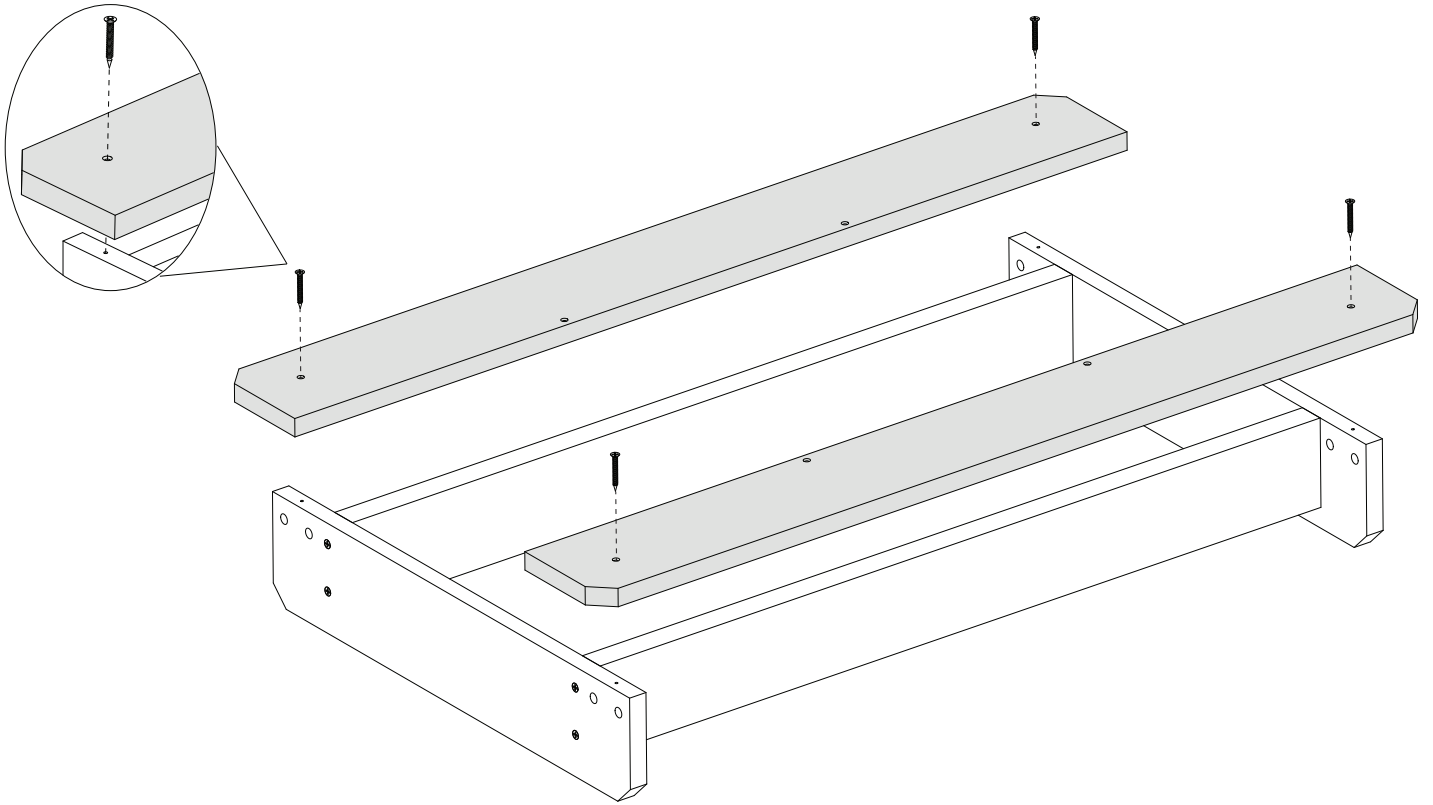
2

D1536  x1 | M4x50mm  x4



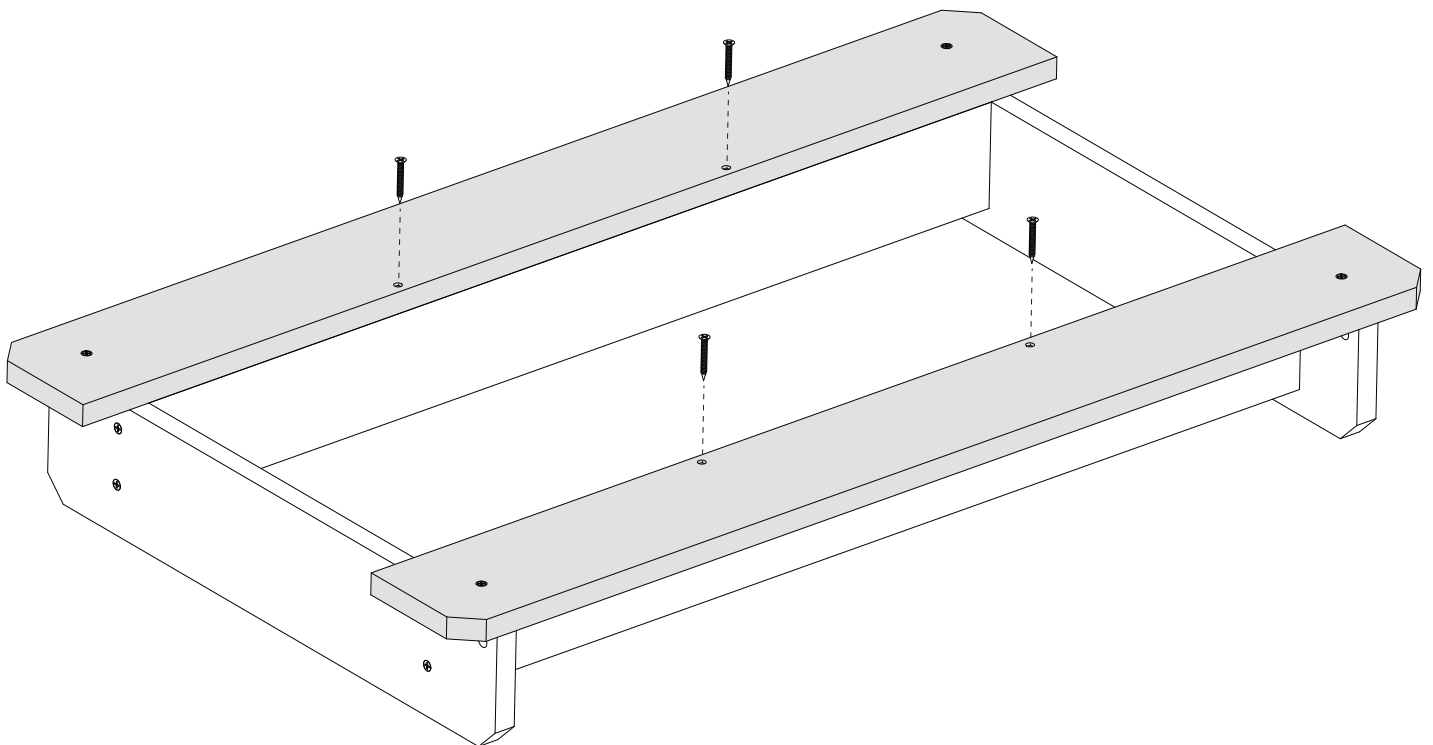
3

D1530 x2 105 x 17.5 x 890mm M4x35mm 35mm x4

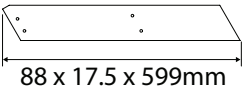
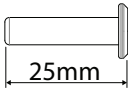
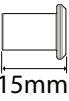


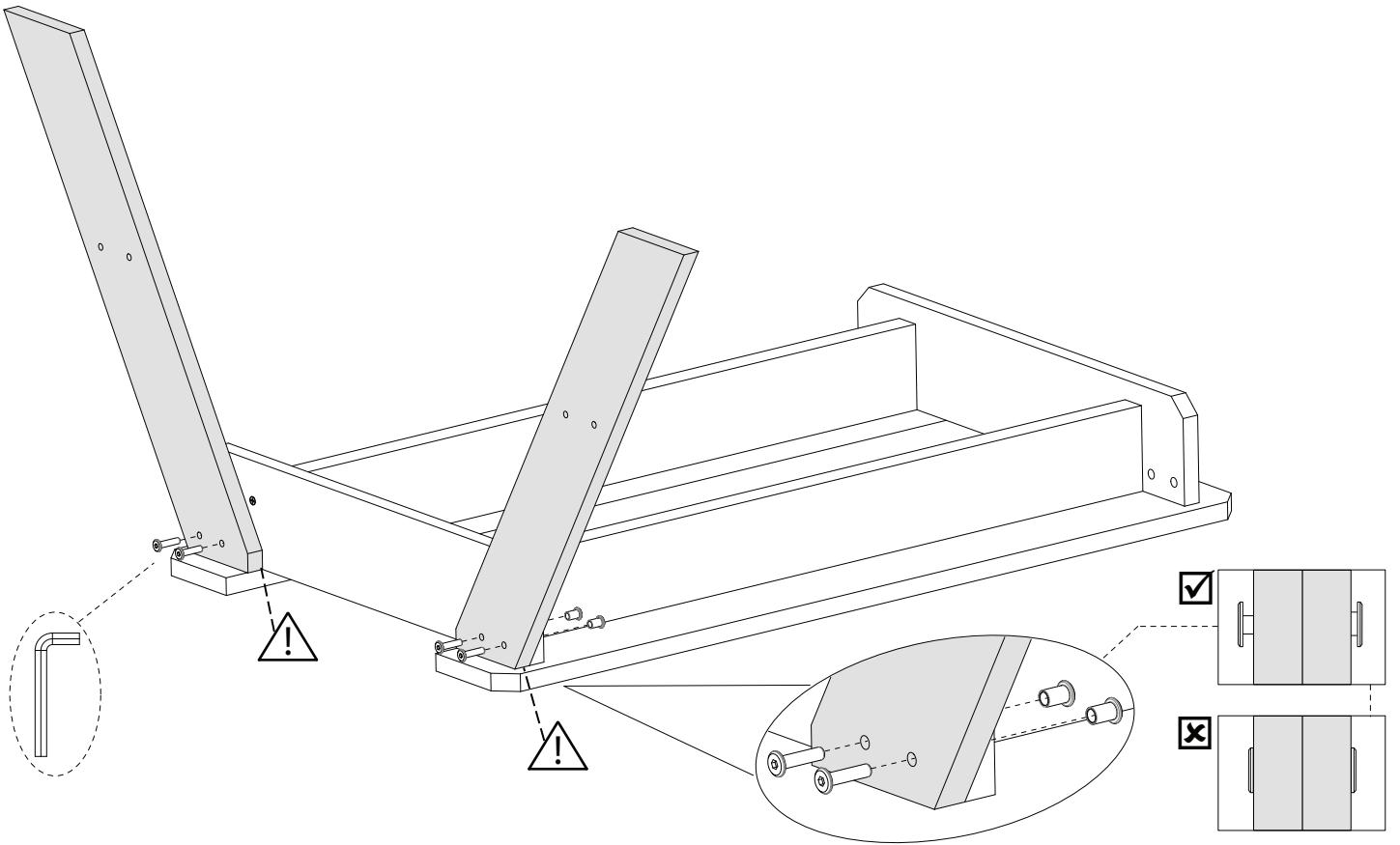
4

M4x35mm 35mm x4

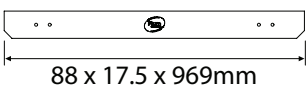
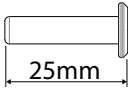
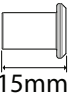


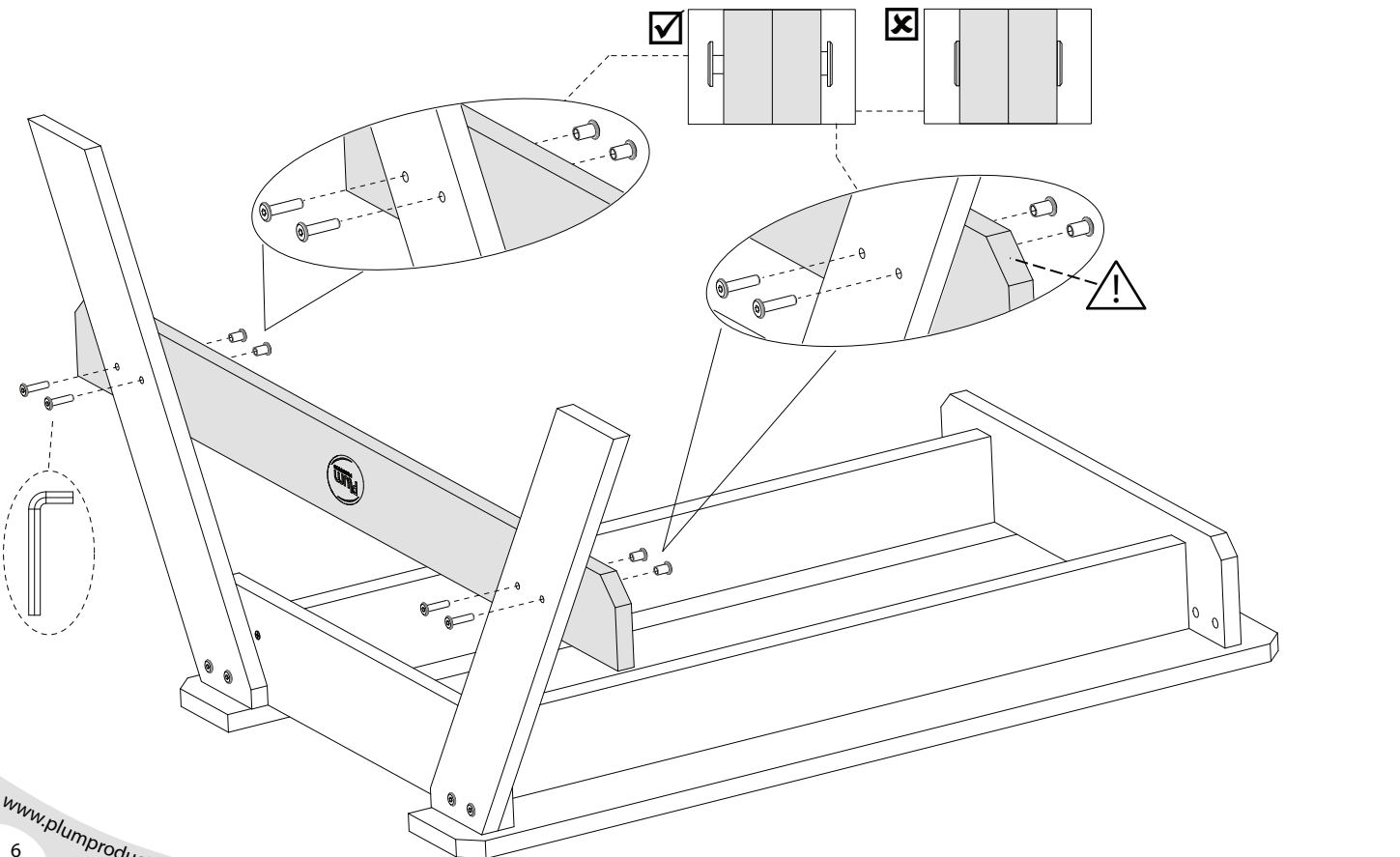
5

D1535  x2 | SH:M6x25mm  x4 | SH:M6x15mm  x4

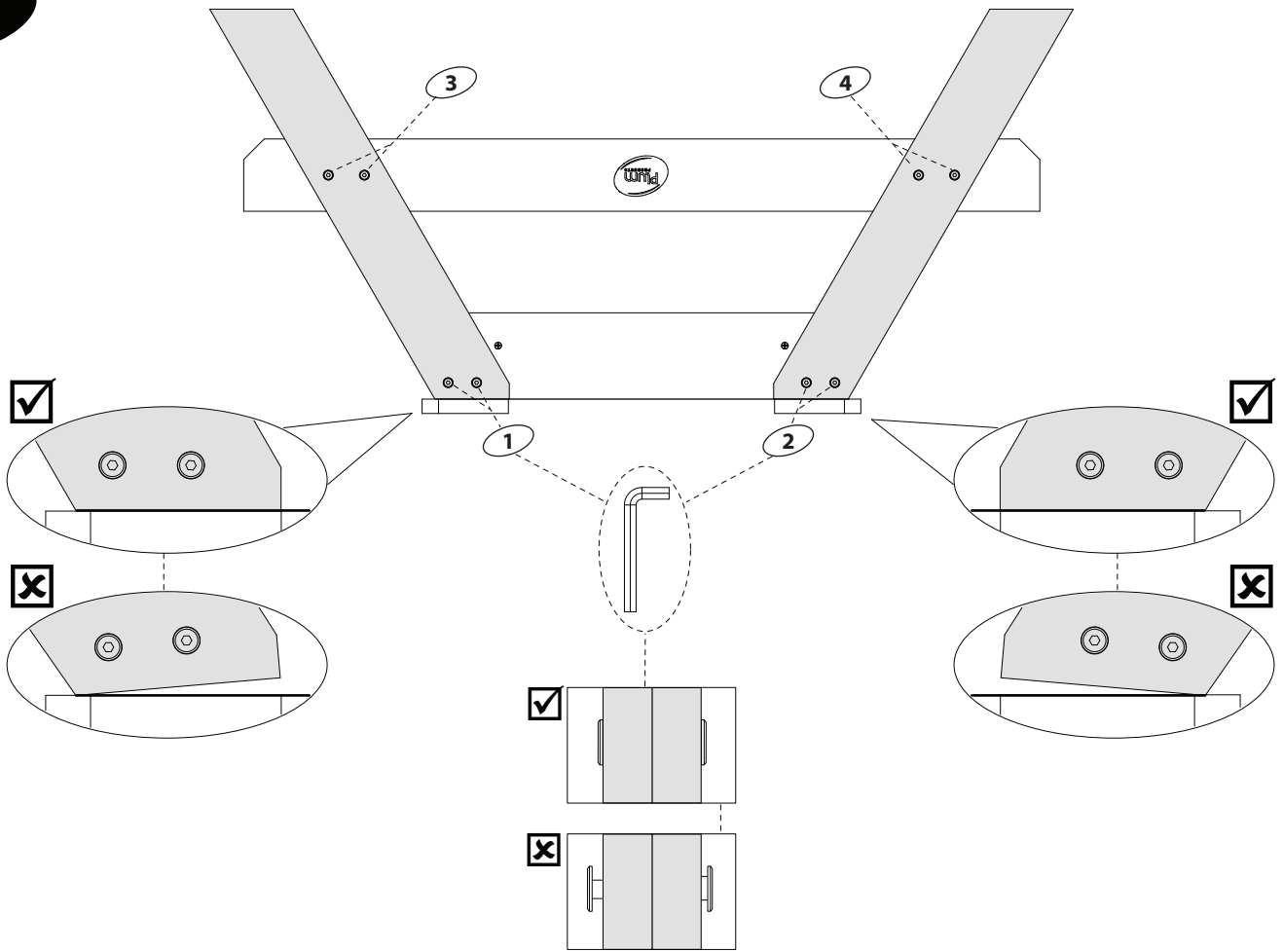


6

D1534  x1 | SH:M6x25mm  x4 | SH:M6x15mm  x4

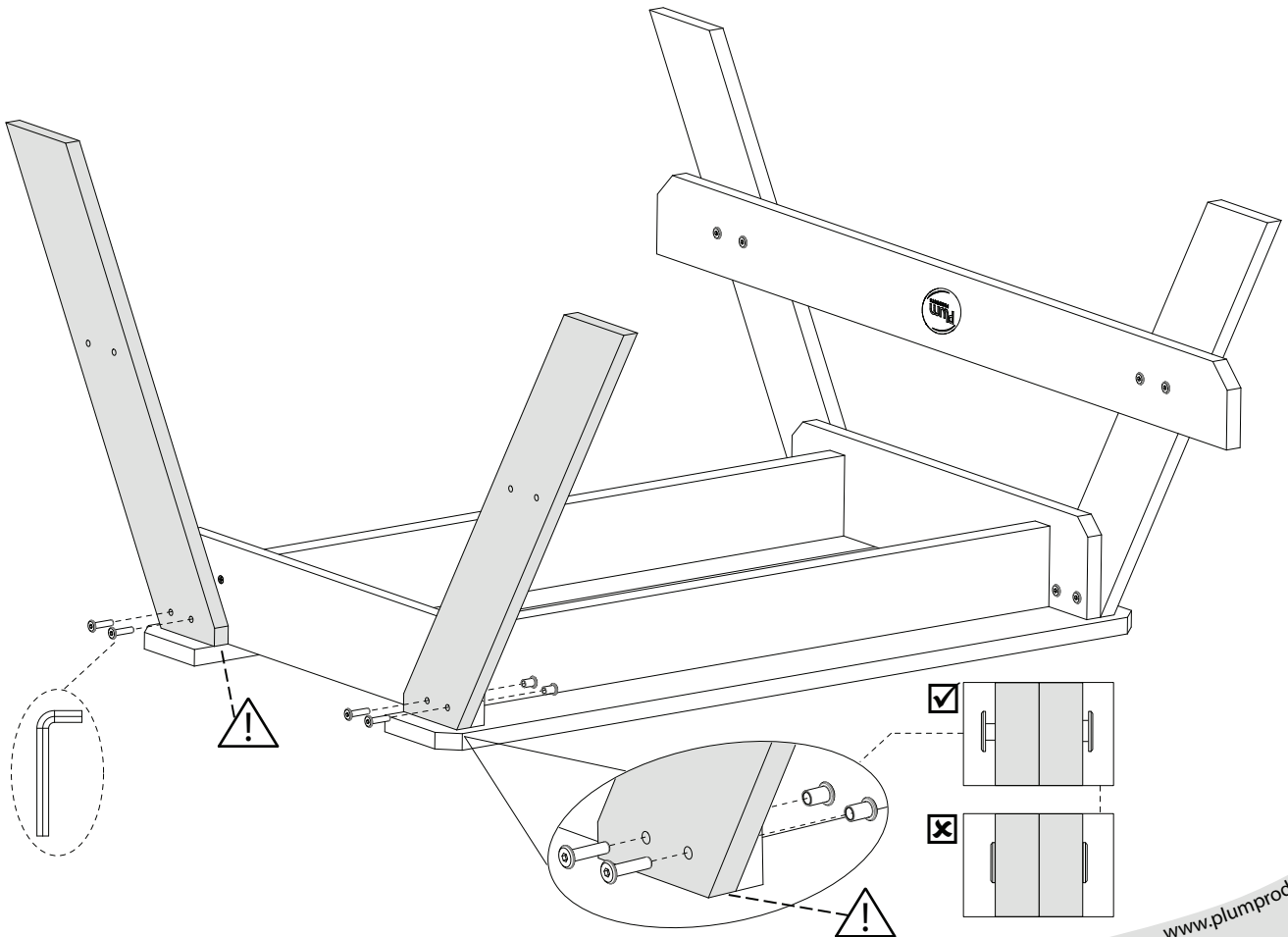


7

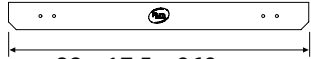


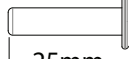
8


D1535 88 x 17.5 x 599mm x2 | SH: M6x25mm 25mm x4 | SH: M6x15mm 15mm x4

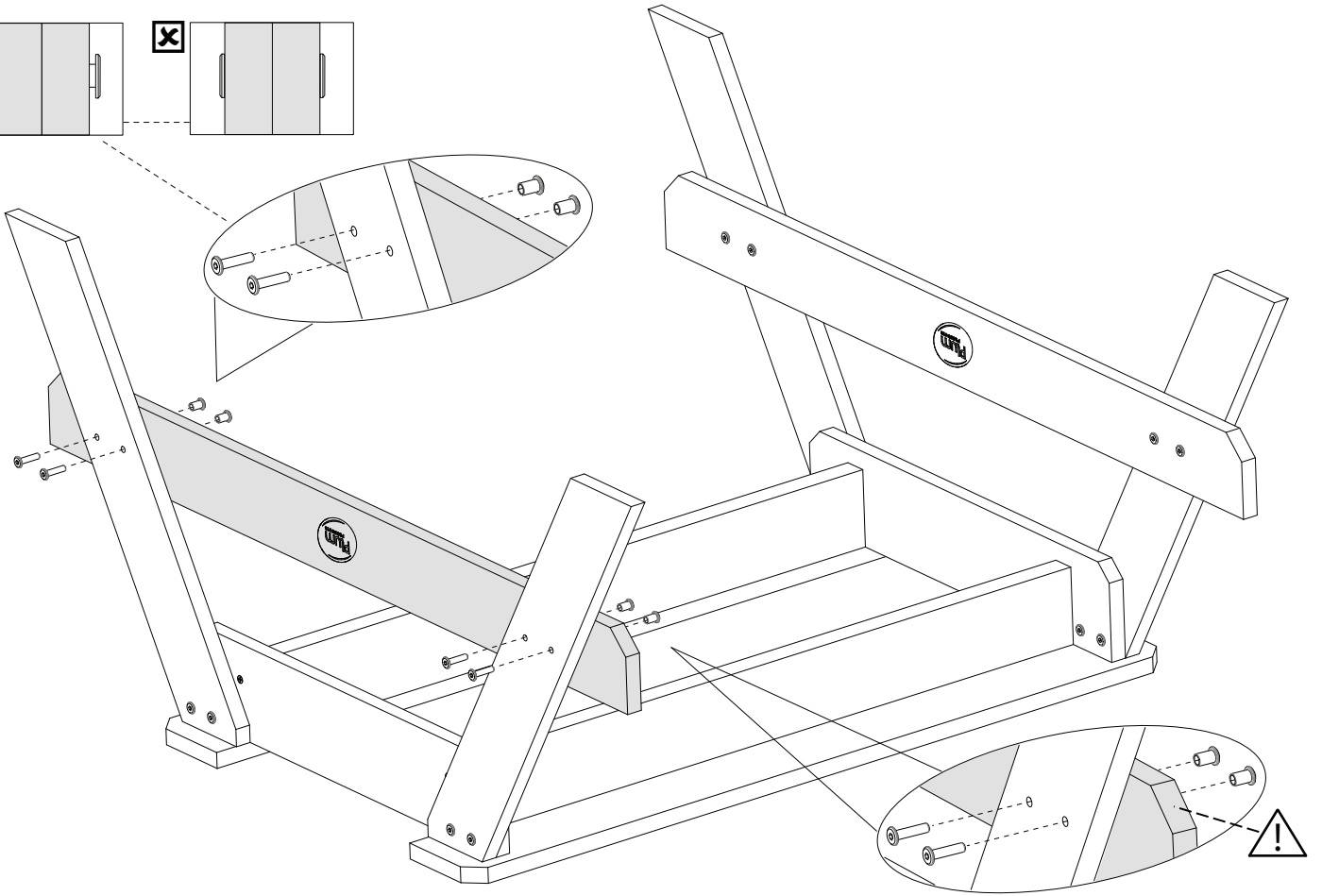
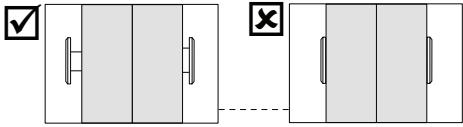


9

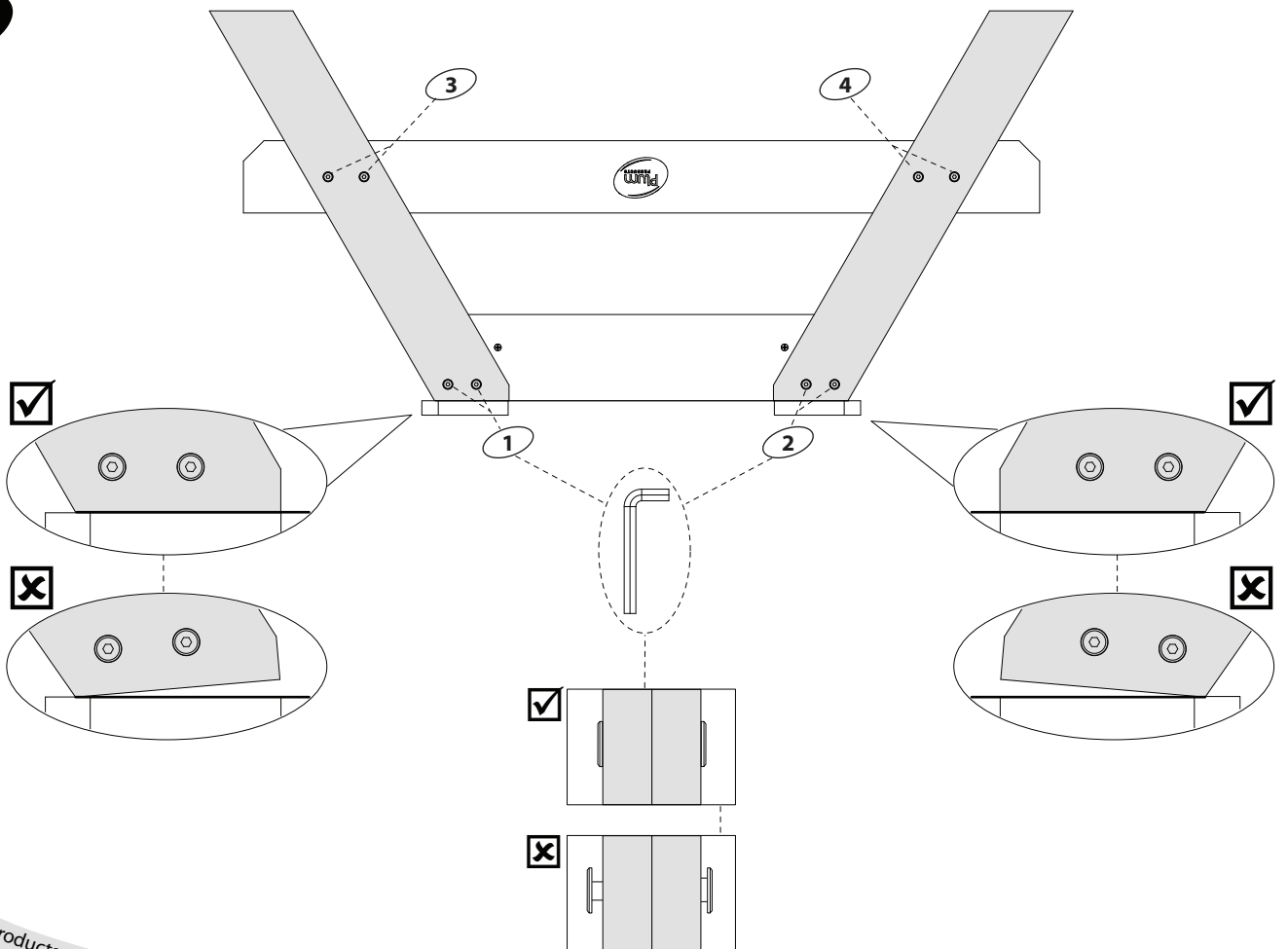
D1534  x1
88 x 17.5 x 969mm

SH:M6x25mm  x4
25mm

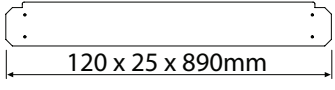
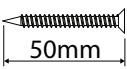
SH:M6x15mm  x4
15mm

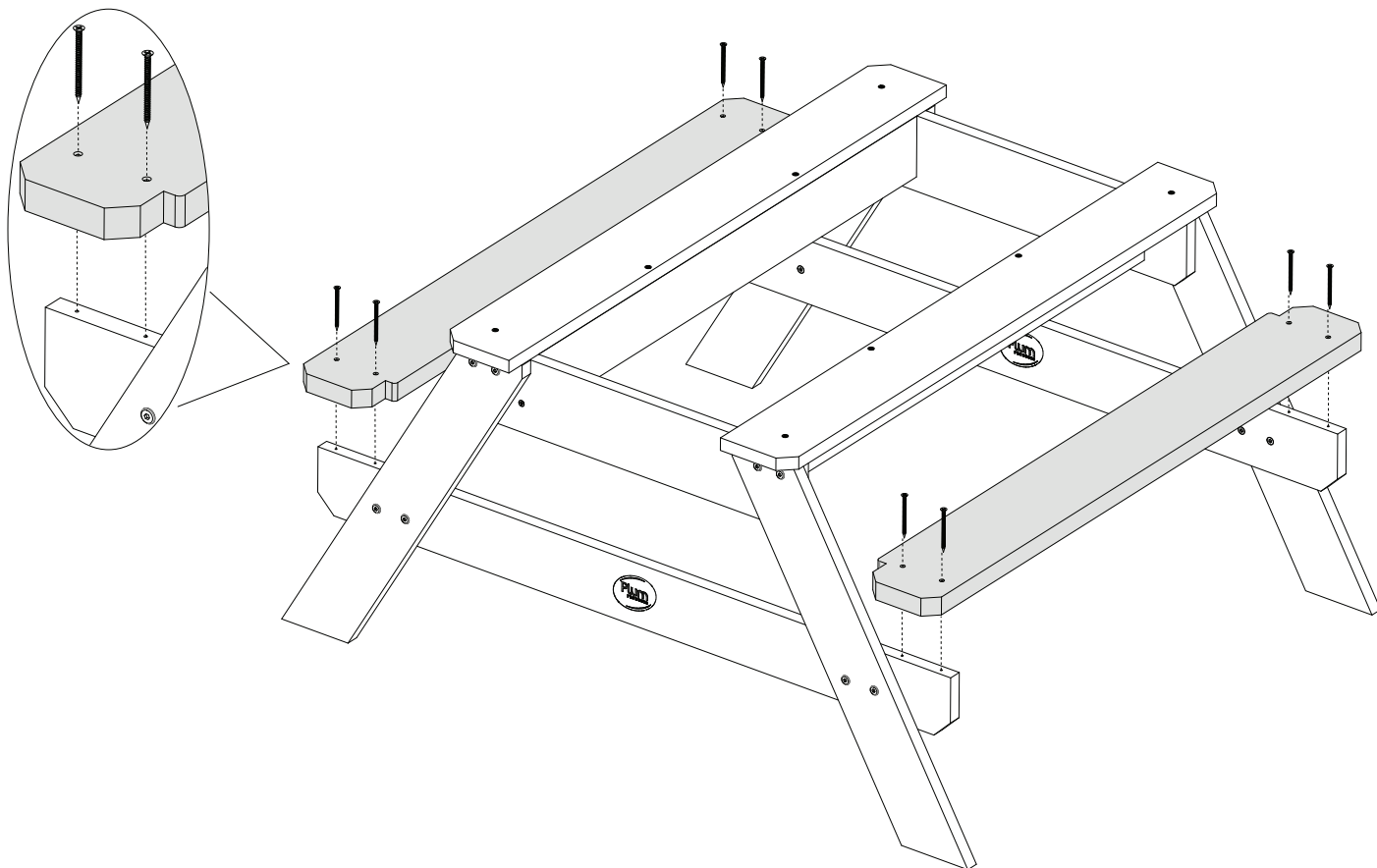


10

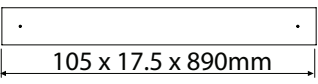
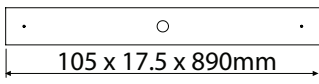
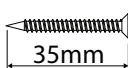


11

D1533  x2 | M4x50mm  x8



12

D1557  x2 | D1558  x1 | M4x35mm  x6

