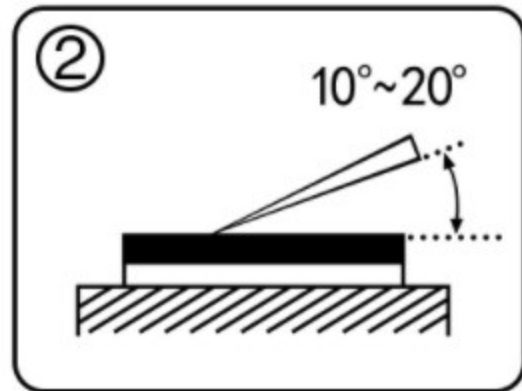
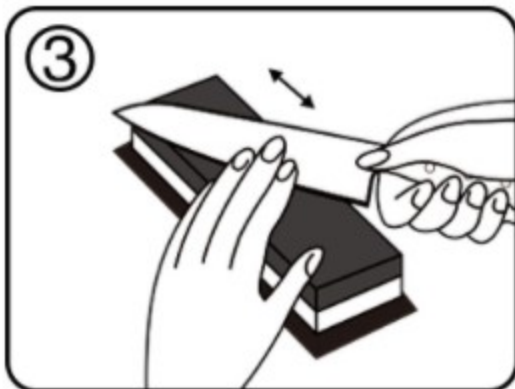


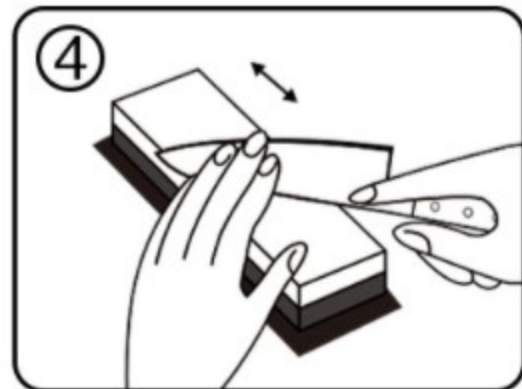
Immerse whetstone in water and soak for 5 minutes.



Put the stone on a steady platform. Grinding the blade edge according the edge angle gently for 15 minutes



Use the 1000# grit side for coarse grinding firstly to smoothen and prepare the blade.



Then polish the edge for 5-20 minutes with 6000# grit side.