

Lenco

Model PMX-300



User manual-High power DJ mixer system with Bluetooth USB FM and party lights
Gebbruikershandleiding-Krchtig DJ mixersysteem met Bluetooth USB, FM en feestlichten
Bedienungsanleitung Hochleistungs-DJ-Mixersystem mit Bluetooth, USB, UKW und Partylicht
Mode d'emploi - Système de mixage DJ puissant avec Bluetooth, USB, FM et lumières
Manual de usuario – Sistema mezclador de DJ de alta potencia con Bluetooth USB FM y luces festivas

| | |
|-----------------|----|
| Index | |
| English | 3 |
| Nederlands..... | 14 |
| Deutsch | 25 |
| Français | 37 |
| Español..... | 49 |

CAUTION:

Usage of controls or adjustments or performance of procedures other than those specified herein may result in hazardous radiation exposure.

This unit should not be adjusted or repaired by anyone except qualified service personnel.

PRECAUTIONS BEFORE USE

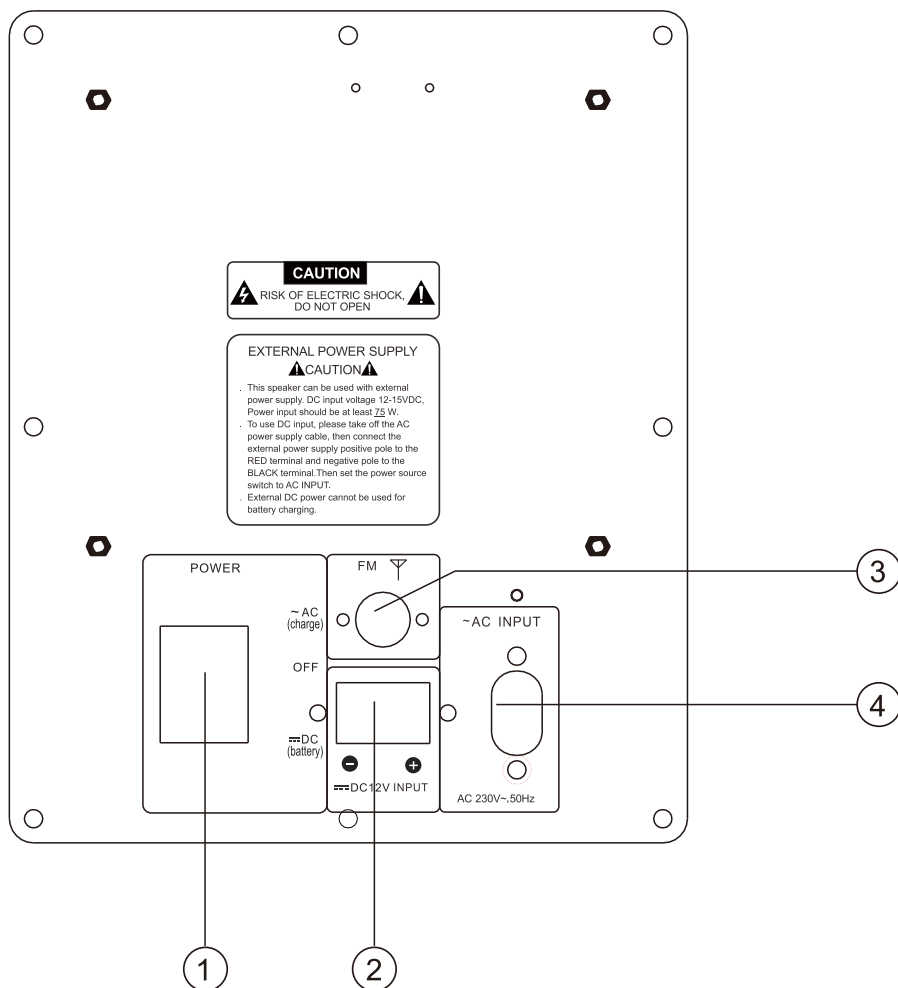
KEEP THESE INSTRUCTIONS IN MIND:

1. Do not use this device near water.
2. Clean only with a slightly damp cloth.
3. Do not cover or block any ventilation openings. When placing the device on a shelf, leave 5 cm (2") free space around the whole device.
4. Install in accordance with the supplied user manual.
5. Don't step on or pinch the power adaptor. Be very careful, particularly near the plugs and the cable's exit point. Do not place heavy items on the power adaptor, which may damage it. Keep the entire device out of children's reach! When playing with the power cable, they can seriously injure themselves.
6. Unplug this device during lightning storms or when unused for a long period.
7. Keep the device away from heat sources such as radiators, heaters, stoves, candles and other heat-generating products.
8. Avoid using the device near strong magnetic fields.
9. Electrostatic discharge can disturb normal usage of this device. If so, simply reset and restart the device following the instruction manual. During file transmission, please handle with care and operate in a static-free environment.
10. Warning! Never insert an object into the product through the vents or openings. High voltage flows through the product and inserting an object can cause electric shock and/or short circuit internal parts. For the same reason, do not spill water or liquid on the product.
11. Do not use in wet or moist areas such as bathrooms, steamy kitchens or near swimming pools.
12. Do not use this device when condensation may occur.
13. Although this device is manufactured with the utmost care and checked several times before leaving the factory, it is still possible that problems may occur, as with all electrical appliances. If you notice smoke, an excessive build-up of heat or any other unexpected phenomena, you should disconnect the plug from the main power socket immediately.
14. This device must be well ventilated at all time!
15. This device must operate on a power source as specified on the specification label. If you are not sure of the type of power supply used in your home, consult your dealer or local power company.
16. The socket outlet must be installed near the equipment and must be easily accessible.
17. Do not overload ac outlets or extension cords. Overloading can cause fire or electric shock.
18. Devices with class 1 construction should be connected to a main socket outlet with a protective earthed connection.
19. Devices with class 2 construction do not require an earthed connection.
20. Keep away from rodents. Rodents enjoy biting on power cords.
21. Always hold the plug when pulling it out of the main supply socket. Do not pull the power cord. This can cause a short circuit.
22. Avoid placing the device on any surfaces that may be subject to vibrations or shocks.
23. To protect the device during a thunderstorm, unplug the ac power adaptor.
24. When the device is not in use for long periods, unplug the ac power adaptor for safety reasons.
25. To clean the device, use a soft dry cloth. Do not use solvents or petrol based fluids. To remove severe stains, you may use a damp cloth with dilute detergent.
26. The supplier is not responsible for damage or lost data caused by malfunction, misuse, modification of the device or battery replacement.
27. Do not interrupt the connection when the device is formatting or transferring files. Otherwise, data may be corrupted or lost.

28. The usb memory stick should be plugged into the unit directly. Don't use an usb extension cable because it can cause interference resulting in failing of data.
29. The apparatus shall not be exposed to dripping or splashing and make sure that no objects filled with liquids, such as vases, are placed on or near the apparatus.
30. To completely disconnect the power input, the mains plug of the apparatus shall be disconnected from the mains, as the disconnect device is the mains plug of apparatus.
31. The mains plug of the apparatus should not be obstructed or should be easily accessed during intended use.
32. Battery shall not be exposed to excessive heat such as sunshine, fire or the like.
33. Minimum distance of 10cm around the apparatus is needed for sufficient ventilations.
34. The ventilation should not be impeded by covering the ventilation openings with items such as newspapers, table-cloths, curtains etc.
35. No naked flame sources such as lighted candles should be placed on the apparatus.
36. Attention should be drawn to the environmental aspects of battery disposal.
37. The apparatus can only be used in moderate extremely cold or climates warm environments should be avoided.
38. The rating label has been marked on the bottom panel of the apparatus.
39. This device is not intended for use by people (including children) with physical, sensory or mental disabilities, or a lack of experience and knowledge, unless they're under supervision or have received instructions about the correct use of the device by the person who is responsible for their safety.
40. This product is intended for household use only and not for commercial or industrial use.
41. Make sure the unit is adjusted to a stable position. Damage caused by using this product in an unstable position or by failure to follow any other warning or precaution contained within this user manual will not be covered by warranty.
42. Never remove the casing of this apparatus.
43. Never place this apparatus on other electrical equipment.
44. Do not use or store this product in a place where it is subject to direct sunlight, heat, excessive dust or vibration.
45. Do not clean this product with water or other liquids.
46. Do not block or cover the slots and holes in the product.
47. Do not push foreign objects into the slots or holes in the product.
48. Do not allow children access to plastic bags.
49. Please check that the voltage on the type plate of your appliance corresponds with your house electricity supply (type plate is located on the back of the unit).
50. Protect the power cord from being walked on or pinched, particularly at plugs, convenience receptacles, and the point where they exit from the apparatus.
51. Only use attachments/accessories specified by the manufacturer.
52. Refer all servicing to qualified service personnel. Servicing is required when the apparatus has been damaged in any way, such as the power supply cord or the plug, when liquid has been spilled or objects have fallen into the apparatus, when the apparatus has been exposed to rain or moisture, does not operate normally, or has been dropped.
53. Do not use a damaged power cord or plug or a loose outlet. Doing so may result in fire or electric shock. Warning: prolonged exposure to loud sounds from personal music players may lead to temporary or permanent hearing loss.

INSTALLATION

- Unpack all parts and remove protective material.
- Do not connect the unit to the mains before checking the mains voltage and before all other connections have been made.
- Do not cover any vents and make sure that there is a space of several centimeters around the unit for ventilation.



1. Power Switch

Switch modes DC INPUT, AC INPUT or off.

When switched to AC status, the speaker is working on 230V and Battery will be charged.

When switched to OFF, power is off with no battery charging.

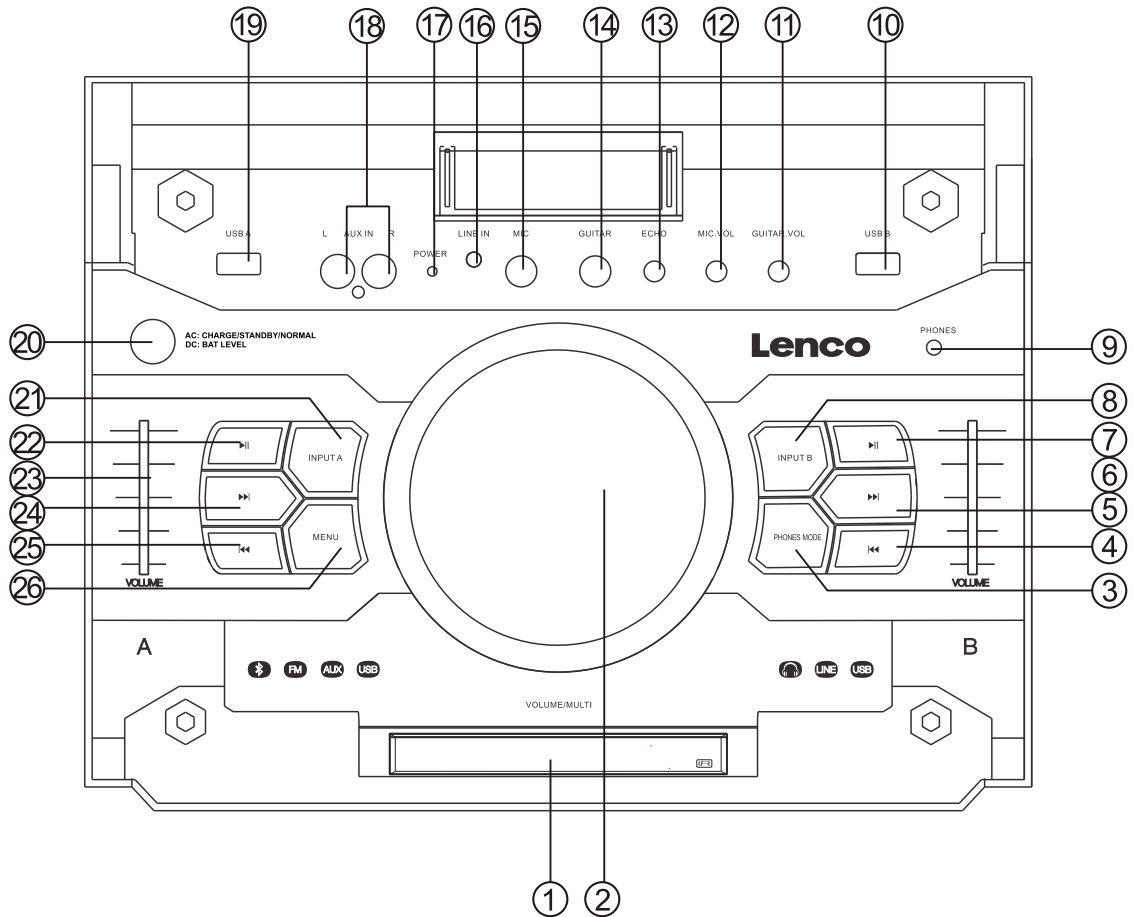
When switched to DC, speaker is battery powered.

2. DC 12V INPUT

The speaker can be connected to the 12V DC battery of a car.

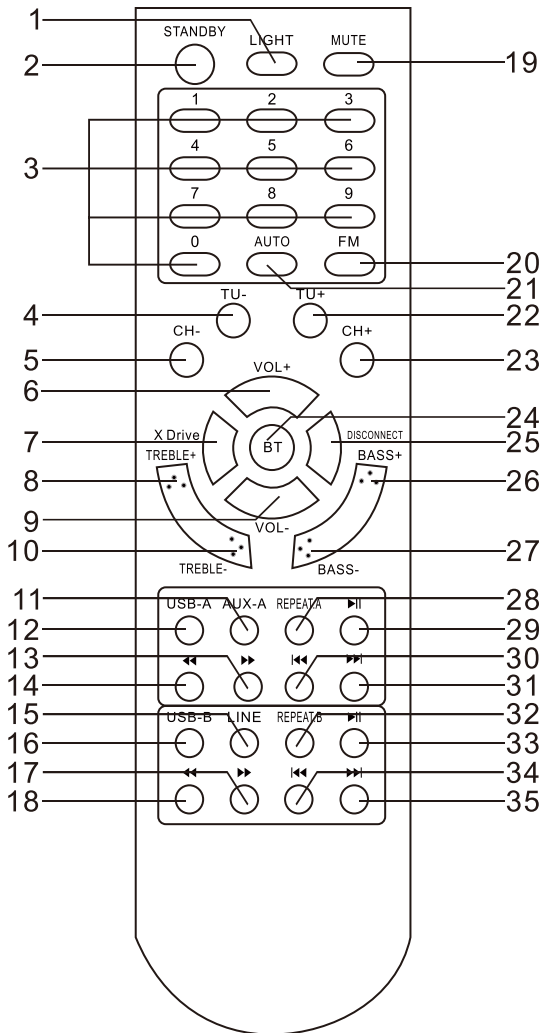
3. FM ANTENNA

4. AC INPUT AC 230V~, 50Hz

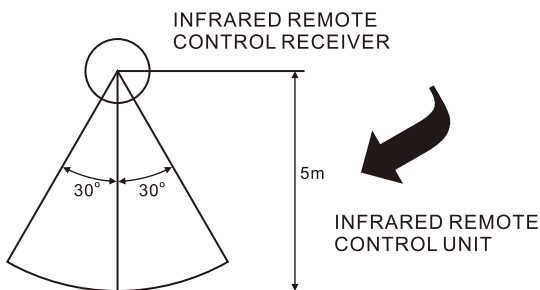


1. **LED DISPLAY**
Display System parameter information, the left side of the display shows the INPUT A status, the right side of the display shows the INPUT B status
2. **VOLUME/MULTI/DJ EFFECT**
Rotate the knob to adjust the main volume, phones volume, treble, bass. Short press this key to choose different music effect SCRATCH, REVERB, BEAT BOX, YEAH, BRING IT, GEYA, COME ON Long press plays DRUMS effect.
3. **PHONES MODE**
Press this key to choose different EARPHONES mode, INPUT A, INPUT B, INPUT AB
4. **INPUT B PREV**
Press this key to choose previous music with USB B
5. **INPUT B NEXT**
Press this key to choose next music with USB B
6. **INPUT B VOLUME**
This is used to adjust the volume with INPUT B
7. **INPUT B PLAY/PAUSE**
Press this key to choose play/pause music with INPUT B
When playing usb, long press this key to change playtime count down or count up.
8. **INPUT B MODE**
Press this key to choose different INPUT B mode, LINE, USB B
9. **EARPHONES INPUT JACK**
10. **USB B input jack**

11. GUITAR VOLUME
Adjust the volume of the GUITAR
12. MIC VOLUME
Adjust the volume of the MICROPHONE
13. ECHO
Adjust the ECHO of the MIC input
14. GUITAR jack
15. MIC jack
16. LINE IN AUDIO INPUT JACK
Connect to LINE IN signal input jack.
17. DC POWER light
18. AUX AUDIO INPUT JACK
Connect to AUX signal input jack.
19. USB A input jack
20. On AC: CHARGE/STANDBY/NORMAL
A long Press on this key turns on or standby the unit. A short Press on this key turns on the unit to CHARGE, STANDBY or NORMAL mode
On DC: BAT LEVEL
A Press on this key shows the current battery level.
21. INPUT A MODE
Press this key to choose different INPUT A mode, AUX A, BT A, FM, USB A
22. INPUT A PLAY/PAUSE
Press this key to choose play/pause music with INPUT A
When playing usb, long press this key change play time count down or count up.
23. INPUT A VOLUME
This is used to adjust the volume of INPUT A
24. INPUT A NEXT
Press this key to choose next music with USB A
25. INPUT A PREV
Press this key to choose previous music with INPUT USB A
26. MENU
This switch selects the main volume, bass, treble, x driver, light mode



1. LIGHT
2. STANDBY
3. NUMBER BUTTON
4. TUNING-
5. CHANNEL-
6. VOLUME+
7. X DRIVE
8. TREBLE+
9. VOLUME-
10. TREBLE-
11. AUX-A
12. USB-A
13. USB-A F.WARD
14. USB-A B.WARD
15. LINE
16. USB-B
17. USB-B F.WARD
18. USB-B B.WARD
19. MUTE
20. FM
21. AUTO
22. TUNING+
23. CHANNEL+
24. BT
25. DISCONNECT
26. BASS+
27. BASS-
28. INPUT-A REPEAT
29. INPUT-A PAUSE
30. INPUT-A PREVIOUS
31. INPUT-A NEXT
32. INPUT-B REPEAT
33. INPUT-B PAUSE
34. INPUT-B PREVIOUS
35. INPUT-B NEXT



| |
|----------------------------------|
| EN |
| INFRARED REMOTE CONTROL RECEIVER |
| 5m |
| INFRARED REMOTE CONTROL UNIT |
| EN |
| INFRARED REMOTE CONTROL RECEIVER |
| 5m |
| INFRARED REMOTE CONTROL UNIT |

REMOTE CONTROL OPERATION:

- If the remote control conflicts with other devices, the operation will be affected.
- Do not simultaneously press buttons on the unit and the remote control.
- Avoid using two remote controls at the same me as this will cause a malfunction.
- Use only UM-4 'AAA' size batteries. Do not mix old batteries with new ones.
- If the batteries leak, clean the remote control thoroughly before replacing batteries
- Do not short two terminals of the batteries. Dispose old batteries in a suitable place.

NORMAL FUNCTION

1. Select power switch on the backside of the speaker to AC or DC mode.
2. Select an audio source by pressing the INPUT A key on the front panel to display AUX A, BT A, FM, USB A. Press the INPUT B key on the front panel to display LINE, USB B.

When unit is AC mode:

- Pressing standby button once will activate charging mode, showing the battery charging status on the blue led-display.
- Pressing standby button second time will activate the speaker and showing green charging light.
- You can also select the standby mode, without charging the battery

When unit is DC mode:

- Pressing standby button shows the battery level on the blue led display
3. Rotate the VOLUME/MULTI/DJ EFFECT wheel on the control panel or the VOL+/- key on the remote control to adjust the main volume. Then adjust the volume slider of INPUT A and use the right volume slider to change the volume of INPUT B.
 4. To adjust the bass, treble, X-drive, speaker lights and main volume, press the menu key to select bass, treble, X-drive, speaker lights, and then rotate the big VOLUME/MULTI/DJ EFFECT wheel.
 5. PHONES OUTPUT selection. Press the PHONES MODE button on the control panel to display INPUT A, INPUT B, or INPUT AB and adjust the volume of A,B or AB by rotating the multi DJ effect wheel.
 6. Press the LIGHT button on the remote control or press the MENU button on the front panel until speaker light mode is displayed, then rotate the VOLUME/MULTI/DJ EFFECT wheel to select to OFF, R, G, B, RG, RB, GB, RGB, AUTO, DEMO light mode.
 7. Press the MUTE key on the remote to mute, press it again to reset.
 8. Press X DRIVE on the remote to turn on/off X-Bass effect.

SPEAKER LIGHT COLOR CONTROL OPTIONS

- R = red lights flash
- G = green lights flash
- B = blue lights flash
- RG = red and green lights flash RB = red and blue lights flash GB = green and blue lights flash
- RGB = red, green, and blue lights flash
- Auto = the various color combinations cycle through and flash.
- Demo = lights flash and change color as if they were responding to the beat of the music.

TUNER APPLICATIONS

1. Before using the radio functions, you must adjust the antenna to obtain optimum reception.
Press the INPUT A key on the front panel or the FM key on the remote control, to select "FM" function.
2. Press the AUTO key on the remote control or the play button of the INPUT A control panel.
The machine will scan radio channels from low- frequency to high-frequency by itself and stores the channels found one by one.
3. Press the CH+/CH- key on the remote control to change radio presets that have been stored previously.
4. Press or hold the TU+/TU- key on the remote control to adjust the radio frequency manually.
5. To select radio stations from the control panel, press and hold the next/prev buttons.

KARAOKE & GUITAR FUNCTION

1. The machine can auto detect whether a MICROPHONE or GUITAR is connected.
Please turn off the microphone volume with the MIC.VOL knob on the front panel and adjust the volume gradually after inserting the microphone. Remark: The PMX-300 is delivered with a wireless microphone using 2AA batteries (not included). When you switch the button to "ON", you can speak in it and adjust volume and echo on the control panel.
2. Adjust the ECHO knob on the front panel to change the microphone ECHO.
3. Adjust the GUITAR VOL knob on the front panel to change the guitar VOLUME.

Note: Do not touch the top of the microphone when singing in order to avoid howling effect.
Adjust the microphone volume gradually to avoid howling effect.

BLUETOOTH PAIRING AND CONNECT

- Turn off any Bluetooth devices previously paired (linked) with this unit.
- Turn on the Bluetooth feature on your phone or music player.
- Turn on and set this unit to Bluetooth mode. The flashing blue light "BT" on LED display indicates it is in pairing mode.
- Set your phone or music player to search for Bluetooth devices.
- Select 'PMX-300' from search results on your phone or music player.
- Select OK or YES to pair this unit with your phone or music player.
- If protected, enter 0000 for passkey steady blue light indicates successful connection.
- Press the DISCONNECT key on the remote control to disconnect the Bluetooth.

FUNCTION OF USB READER

USB interface

This unit has two USB jacks. Press the INPUT A key to select USB A, then you can insert a USB stick to play music. Press the INPUT B key to select USB B, then you can insert another USB stick to play music.

Important: The USB port is intended for data transfer only; other devices cannot be used with this USB connection. The use of USB extension cords is not recommended.

TIME DISPLAY

In USB mode, the display can show either the elapsed or the remaining time.

With long press of the play/pause key, you can select negative or positive display of the time.

CHARGING THE BATTERY

1. When in battery powered mode, the standby operation cannot be used.
2. The control panel has a charging light. When the battery is charged enough, the light is green. When the battery is low, the system display prompts 'LOW POWER' and the light turns red.

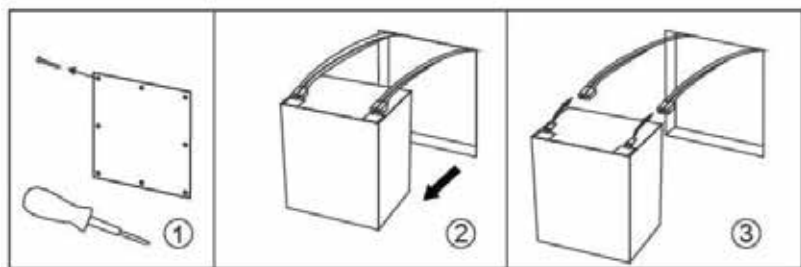
TO PROTECT THE LIFETIME OF THE INTERNAL BATTERY:

When the battery is empty, switch immediately the POWER knob on the backside to OFF position to protect the lifetime of the internal battery or to AC to charge it again.

Important: The supplier is not responsible for damage caused by misuse of the device and the battery will not be covered by the guarantee.

BATTERY DISASSEMBLY

1. Remove the screws on the rear panel.
2. Take out the battery.
3. Disconnect the battery



ACCESSORIES

| | | |
|---------------------|-------|------|
| Remote control | | 1 pc |
| Instruction Manual | | 1 pc |
| Wireless Microphone | | 1 pc |
| AC power cable | | 1 pc |

| | SPECIFICATION |
|-----------------------|-------------------------|
| Frequency Response | 20Hz-20KHz |
| Power Source | 230V ~ 50Hz/12VDC |
| Max.Power | 120W |
| Consumption | |
| Battery | Lead/Acid 12VDC, 4.5 Ah |
| DC Playback time | ~10hrs on 50% volume |
| Output power | 250W (RMS) |
| Microphone | Wireless 864 MHz |
| Bluetooth | V4.2 |
| FM radio | 87.5-108 MHz |
| Unit Size (W x D x H) | 32 x 33.7 x 98 cm |
| Tweeter size | 2 x 1 inch |
| Woofers size | 1 x 3 inch |
| Subwoofer size | 2 x 10 inch |
| Unit weight | 21 kg |
| Working Temperature | 10-40 °C |

- The specification presents only as a reference. The value of weight and size are approximation.
- Our product is improved ceaselessly and the specification and function may be changed without prior notice.

This product operates at 2400 - 2483.5 MHz and is designated only to be used inside a normal household environment. This product is suited for this purpose within all EU countries.

Please note (For use of wireless microphone)

This product operates at a frequency of **864** MHz and is designated only to be used inside a normal household environment. This product is suited for this purpose within most EU countries.

The user should check the allowed frequencies of the country where the unit will be used in.

(More information can be found at: <https://www.apwpt.org>)

The user is responsible for the use of this unit. Lenco cannot be held responsible if this unit is used for other purposes than which are described in this manual.

Guarantee

Lenco offers service and warranty in accordance to European law, which means that in case of repairs (both during and after the warranty period) you should contact your local dealer.

Important note: It is **not** possible to send products that need repairs to Lenco directly.

Important note: If this unit is opened or accessed by an unofficial service center in any way, the warranty expires.

This device is not suitable for professional use. In case of professional use, all warranty obligations of the manufacturer will be void.

Disclaimer

Updates to Firmware and/or hardware components are made regularly. Therefore some of the instruction, specifications and pictures in this documentation may differ slightly from your particular situation. All items described in this guide for illustration purposes only and may not apply to a particular situation. No legal right or entitlements may be obtained from the description made in this manual.

Disposal of the Old Device



This symbol indicates that the relevant electrical product or battery should not be disposed of as general household waste in Europe. To ensure the correct waste treatment of the product and battery, please dispose them in accordance to any applicable local laws of requirement for disposal of electrical equipment or batteries. In so doing, you will help to conserve natural resources and improve standards of environmental protection in treatment and disposal of electrical waste (Waste Electrical and Electronic Equipment Directive).

Service

For more information and helpdesk support, please visit www.lenco.com

Lenco Benelux BV, Thermiekstraat 1a, 6361 HB Nuth, The Netherlan

LET OP:

Gebruik van bedieningen of afstellingen of uitvoer van procedures anders dan gespecificeerd in deze documentatie kan leiden tot blootstelling aan schadelijke straling.

Dit apparaat dient uitsluitend te worden aangepast of gerepareerd door gekwalificeerd onderhoudspersoneel.

VOORZORGSMAATREGELEN VOOR GEBRUIK

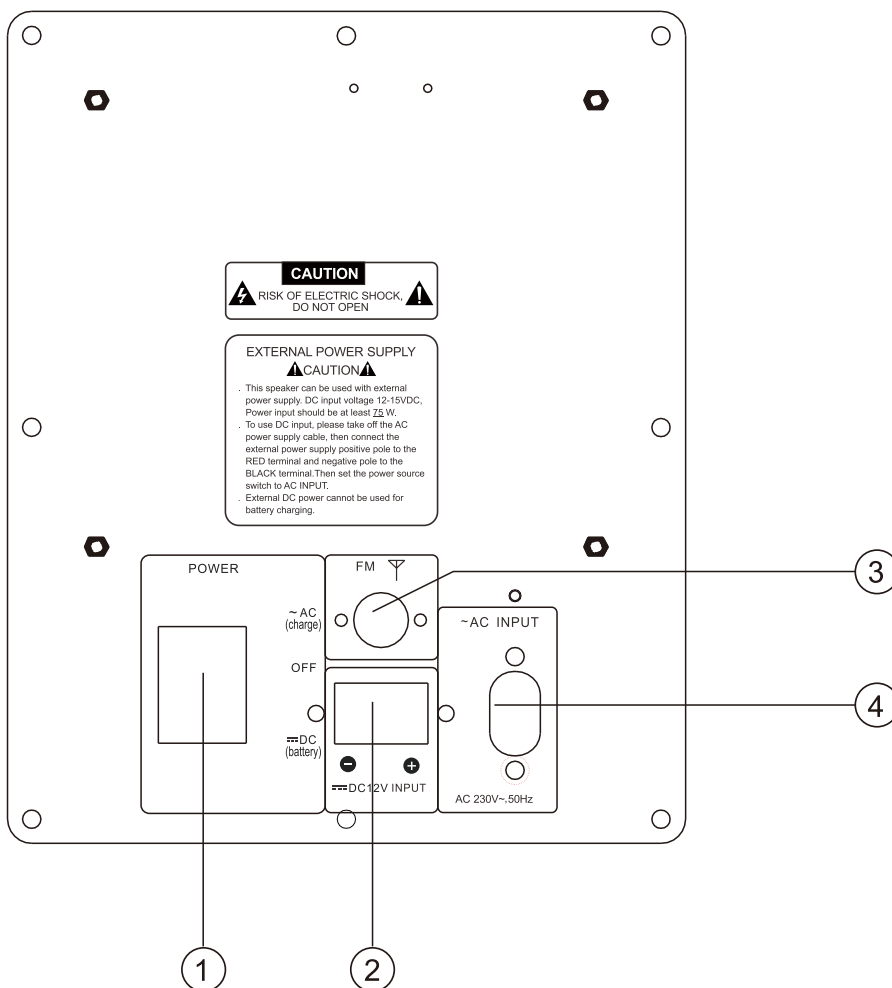
ONTHOUD DE VOLGENDE INSTRUCTIES:

1. Gebruik dit apparaat niet in de buurt van water.
2. Reinig het uitsluitend met een licht vochtige doek.
3. Bedek of blokkeer de ventilatie-openingen niet. Wanneer u het apparaat op een schap plaatst, dient u 5 cm (2") vrije ruimte rondom het gehele apparaat te behouden.
4. Installeer het product volgens de meegeleverde gebruikershandleiding.
5. Nooit op de stroomadapter stappen of deze indrukken. Wees voornamelijk voorzichtig in de buurt van de stekkers en het punt waar de kabel uit het apparaat komt. Plaats geen zware voorwerpen op de stroomadapter, om beschadiging ervan te voorkomen. Houd het gehele apparaat buiten bereik van kinderen! Wanneer kinderen met de voedingskabel spelen, kunnen zij ernstig letsel oplopen.
6. Haal de stekker uit het stopcontact tijdens onweer of wanneer u deze langere tijd niet gebruikt.
7. Houd het apparaat uit de buurt van hittebronnen, zoals radiateurs, verwarmingen, kachels, kaarsen en andere hittegenererende producten.
8. Gebruik dit apparaat niet in de buurt van krachtige magnetische velden.
9. Elektrostatische ontlading kan normaal gebruik van dit apparaat verstoren. U hoeft het apparaat in dit geval slechts te resetten en opnieuw op te starten volgens de gebruikershandleiding. Wees voorzichtig tijdens bestandsverdracht en doe dat in een omgeving zonder statische verstoringen.
10. Waarschuwing! Steek nooit een voorwerp via de ventilatie- of andere openingen in het product. Er is hoogspanning in het product aanwezig en als u er een object insteekt, kan dat een elektrische schok veroorzaken en/of kortsluiting in de interne onderdelen. Mors om dezelfde reden geen water of vloeistof op het product.
11. Gebruik het toestel niet in vochtige ruimtes, zoals badkamers, stomende keukens of in de buurt van zwembaden.
12. Gebruik dit apparaat niet wanneer condensatie kan optreden.
13. Alhoewel dit apparaat met grote zorg gefabriceerd en verschillende keren geïnspecteerd is voordat het de fabriek verlaat, is het nog steeds mogelijk dat er problemen optreden, zoals met alle elektrische apparaten. Als u rook, een overmatige hitteontwikkeling of enig ander onverwacht verschijnsel opmerkt, moet u onmiddellijk de stekker van het netsnoer uit het stopcontact halen.
14. Dit apparaat moet te allen tijde goed worden geventileerd!
15. Dit apparaat moet aangedreven worden door een voedingsbron, zoals aangegeven op het specificatieplaatje. Als u twijfelt over het type voeding dat gebruikt wordt in uw huis, raadpleeg dan a.u.b. uw dealer of plaatselijk energiebedrijf.
16. Het stopcontact moet in de buurt van de apparatuur zijn geïnstalleerd en eenvoudig te bereiken zijn.
17. Overbelast stopcontacten of verlengsnoeren niet. Overbelasting kan brand of een elektrische schok veroorzaken.
18. Apparaten met een Klasse 1 structuur dienen te worden aangesloten op een stopcontact met een beschermende aardverbinding.
19. Apparaten met een Klasse 2 structuur vereisen geen aardverbinding.
20. Houd ze uit de buurt van knaagdieren. Knaagdieren knauwen graag aan voedingskabels.
21. Houd altijd de stekker vast wanneer u deze uit het stopcontact trekt. Trek nooit aan de voedingskabel. Dit kan tot een kortsluiting leiden.
22. Vermijd om het toestel te plaatsen op een ondergrond die blootgesteld kan worden aan trillingen of schokken.
23. Om het apparaat tijdens onweer te beschermen, haalt u de netvoedingadapter uit het stopcontact.
24. Wanneer het apparaat voor een lange periode niet in gebruik is, haalt u de netvoedingadapter om veiligheidsredenen uit het stopcontact.
25. Gebruik een zacht, droog doekje om het apparaat te reinigen. Gebruik geen oplosmiddelen of op benzine gebaseerde vloeistoffen. U kunt een vochtig doekje met verdund schoonmaakmiddel gebruiken om hardnekkige vlekken te verwijderen.

26. De leverancier is niet verantwoordelijk voor schade of verloren gegevens veroorzaakt door storing, misbruik, modificatie van het apparaat of batterijvervanging.
 27. Onderbreek nooit de verbinding wanneer het apparaat formateert of bestanden overdraagt. De gegevens kunnen anders corrupt of verloren raken.
 28. De USB-geheugenstick dient direct in het apparaat te worden gestoken. Gebruik geen USB-verlengkabel, omdat die kan leiden tot storingen met foutieve gegevens als gevolg.
 29. Het apparaat mag niet worden blootgesteld aan druppels of spatten en zorg ervoor dat er geen met vloeistof gevulde voorwerpen, zoals vazen, op of nabij het apparaat zijn geplaatst.
 30. Om de verbinding met de stroomaansluiting volledig te verbreken, moet de stekker van het apparaat uit het stopcontact worden gehaald, omdat de stekker van het apparaat de hoofdschakelaar is.
 31. De stekker van het apparaat mag niet worden belemmerd en moet tijdens gebruik eenvoudig toegankelijk worden gehouden.
 32. Batterijen mogen niet aan overmatige hitte, zoals zonlicht, open vuur e.d. worden blootgesteld.
 33. Een afstand van minimaal 10 cm rondom het apparaat is nodig voor voldoende ventilatie.
 34. De ventilatie mag niet worden gehinderd door het bedekken van de ventilatieopeningen met voorwerpen zoals kranten, tafelkleden, gordijnen etc.
 35. Plaats geen bronnen met een open vlam, zoals brandende kaarsen, op het apparaat.
 36. Aandacht voor het milieu is nodig bij het verwijderen van de batterijen.
 37. Het apparaat kan alleen worden gebruikt in gematigde klimaten. Extreem koude of warme omgevingen moeten worden vermeden.
 38. Het nominale specificatielabel is te vinden op het paneel aan de onderkant van het apparaat.
 39. Dit apparaat is niet bestemd voor gebruik door mensen (inclusief kinderen) met fysieke, zintuiglijke of geestelijke gebreken of gebrek aan kennis en ervaring, tenzij zij onder toezicht staan of instructies hebben over het juiste gebruik van het apparaat hebben gekregen van de persoon die verantwoordelijk is voor hun veiligheid.
 40. Dit product is alleen voor huishoudelijk gebruik bedoeld en niet voor commercieel of industrieel gebruik.
 41. Verzeker u ervan dat het apparaat in een stabiele positie staat opgesteld. Schade, veroorzaakt door het gebruik van dit product in een onstabiele positie, of door het niet naleven van waarschuwingen of voorzorgsmaatregelen genoemd in deze handleiding, valt niet onder de garantie.
 42. Verwijder nooit de behuizing van dit apparaat.
 43. Plaats dit apparaat nooit op andere elektrische apparatuur.
 44. Dit product niet gebruiken of opslaan op plaatsen waar het wordt blootgesteld aan direct zonlicht, hitte, buitensporig veel stof of trillingen.
 45. Reinig dit product niet met water of andere vloeistoffen.
 46. Bedek of blokkeer de gleuven en de gaten in het product niet.
 47. Stop geen vreemde voorwerpen in de gleuven of gaten van het product.
 48. Geef kinderen geen gelegenheid in aanraking met plastic zakken te komen.
 49. Controleer of de spanning op het specificatieplaatje van uw apparaat overeenkomt met het lichtnet in uw huis (specificatieplaatje is te vinden op de achterzijde van het apparaat).
 50. Zorg ervoor dat niemand op de voedingskabel kan gaan staan of dat de kabel kan worden ingedrukt, voornamelijk bij stekkers, stopcontacten en het punt waar kabels uit het apparaat komen.
 51. Gebruik uitsluitend uitbreidingen/accessoires gespecificeerd door de fabrikant.
 52. Laat alle reparaties over aan gekwalificeerd onderhoudspersoneel. Onderhoud is vereist als het toestel hoe dan ook is beschadigd, zoals bijvoorbeeld het netsnoer of de stekker, wanneer er vloeistof of een voorwerp in het apparaat is terechtgekomen, wanneer het apparaat is blootgesteld aan regen of vocht, als het niet normaal werkt of is gevallen.
 53. Gebruik nooit een beschadigde voedingskabel of stekker of een los stopcontact. Dit vormt namelijk een risico op brand of elektrische schokken.
- Waarschuwing: Langdurige blootstelling aan luid geluid van persoonlijke muziekspelers kan leiden tot tijdelijke of permanente gehoorbeschadiging.

INSTALLATIE

- Pak alle onderdelen uit en verwijder de beschermende materialen.
- Sluit het apparaat niet aan op het stopcontact, voordat u de netspanning hebt gecontroleerd en voordat alle andere aansluitingen zijn gemaakt.
- Bedek geen van de ventilatieopeningen en zorg voor enkele centimeters vrije ruimte rondom het apparaat voor ventilatie.



1. Aan/uit-schakelaar

Schakelmodi DC INGANG, AC INGANG of uit.

Wanneer u de schakelaar op AC zet, werkt de speaker op 230V en zal de accu opgeladen worden.

Wanneer u de schakelaar op OFF zet, is er geen stroom en zal de accu niet opgeladen worden.

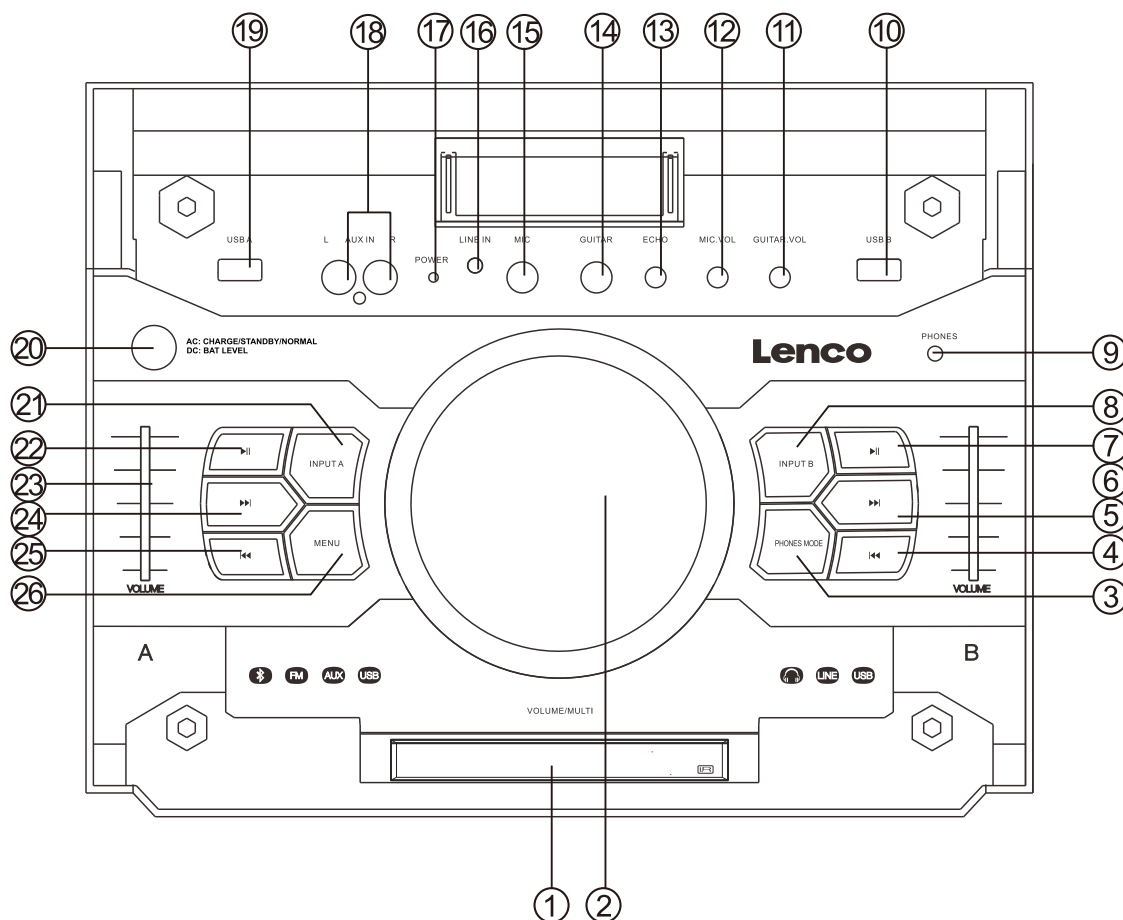
Wanneer u de schakelaar op DC zet, wordt de speaker aangedreven door de accu.

2. DC 12V INGANG

De speaker kan verbonden worden met de 12V DC accu van een auto.

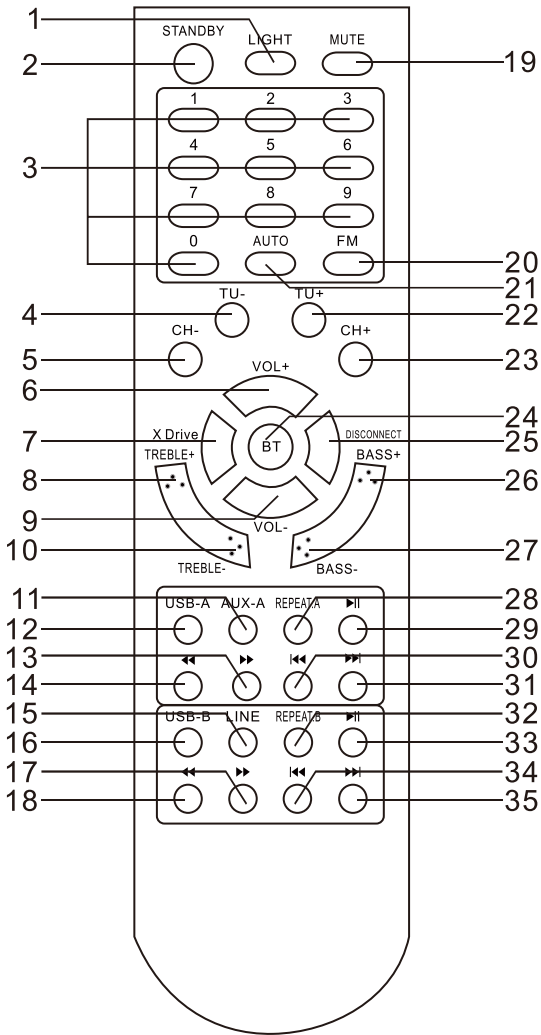
3. FM-ANTENNE

4. AC INGANG AC 230V~, 50Hz

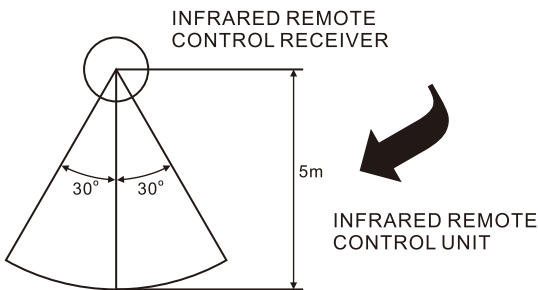


1. **LED-SCHERM**
Geeft systeem parameterinformatie weer, de linkerkant laat de INVOER A status zien en de rechterkant van het scherm laat de INVOER B status zien
2. **VOLUME/MULTI/DJ EFFECT**
Draai aan de knop om het primaire volume, hoofdtelefoon volume, de treble en bas aan te passen. Druk deze knop kort in om een ander muziek effect uit te kiezen, zoals SCRATCH, REVERB, BEAT BOX, YEAH, BRING IT, GEYA of COME ON. Lang indrukken speelt een DRUMS effect af.
3. **HOOFDTELEFOON MODUS**
Druk op deze knop om verschillende HOOFDTELEFOON modi uit te kiezen, zoals INVOER A, INVOER B, INVOER AB
4. **INVOER B VORIGE**
Druk op deze knop om het vorige nummer met USB B te kiezen
5. **INVOER B VOLGENDE**
Druk op deze knop om het volgende nummer met USB B te kiezen
6. **INVOER B VOLUME**
Dit wordt gebruikt om het volume van INVOER B aan te passen
7. **INVOER B AFSPLELEN/PAUZEREN**
Druk op deze knop om muziek met INVOER B af te spelen/pauzeren
Wanneer een USB afspeelt, kunt u door deze knop lang ingedrukt te houden de speeltijd af of op laten tellen.
8. **INVOER B MODUS**
Druk op deze knop om een andere INVOER B modus te selecteren, zoals LINE of USB B

9. HOOFDTELEFOON AANSLUITING
10. USB B invoer aansluiting
11. VOLUME GITAAR
Pas het volume van de GITAAR aan
12. VOLUME MICROFOON
Pas het volume van de MICROFOON aan
13. ECHO
Pas de ECHO van de MIC invoer aan
14. GITAAR aansluiting
15. MICROFOON aansluiting
16. LINE IN AUDIO INVOER AANSLUITING
Verbind met de LINE IN-sigitaal invoer aansluiting.
17. Voedingslampje
18. AUX AUDIO INVOER AANSLUITING
Verbind met de AUX-sigitaal invoer aansluiting.
19. USB A invoer aansluiting
20. Op AC: OPLADEN/STAND-BY/NORMAAL
Door deze knop lang in te drukken zet u het apparaat aan of in stand-by. Door deze knop kort in te drukken zet u het apparaat in de OPLAAD, STAND-BY of NORMAAL modus
Op DC: ACCUNIVEAU
Als u deze knop indrukt wordt het huidige accuniveau weergegeven.
21. INVOER A MODUS
Druk deze knop in om een andere INVOER A modus te kiezen, zoals AUX A, BT A, FM, USB A
22. INVOER A AFSPELEN/PAUZEREN
Druk op deze knop om muziek met INVOER A af te spelen/pauzeren
Wanneer een USB afspeelt, kunt u door deze knop lang ingedrukt te houden de speeltijd af of op laten tellen.
23. INVOER A VOLUME
Dit wordt gebruikt om het volume van INVOER A aan te passen
24. INVOER A VOLGENDE
Druk op deze knop om het volgende nummer met USB A te kiezen
25. INVOER A VORIGE
Druk op deze knop om het vorige nummer met USB A te kiezen
26. MENU
Deze schakelaar selecteert het primaire volume, de bas, treble, x driver en licht modus



1. LICHT
2. STAND-BY
3. NUMERIEKE TOETSEN
4. AFSTEMMEN-
5. KANAAL-
6. VOLUME+
7. X DRIVE
8. TREBLE+
9. VOLUME-
10. TREBLE-
11. AUX-A
12. USB-A
13. USB-A DOORSPOELEN
14. USB-A TERUGSPOELEN
15. LINE
16. USB-B
17. USB-B DOORSPOELEN
18. USB-B TERUGSPOELEN
19. DEMP
20. FM
21. AUTO
22. AFSTEMMEN+
23. KANAAL+
24. BT
25. VERBINDING VERBREKEN
26. BASS+
27. BASS-
28. INVOER-A HERHALEN
29. INVOER-A PAUZEREN
30. INVOER-A VORIGE
31. INVOER-A VOLGENDE
32. INVOER-B HERHALEN
33. INVOER-B PAUZEREN
34. INVOER-B VORIGE
35. INVOER-B VOLGENDE



| |
|--------------------------------------|
| EN |
| INFRARED REMOTE CONTROL RECEIVER |
| 5m |
| INFRARED REMOTE CONTROL UNIT |
| NL |
| INFRARODE AFSTANDBEDIENING ONTVANGER |
| 5m |
| INFRARODE AFSTANDBEDIENING |

AFSTANDBEDIENING:

- Als de afstandsbediening verstoord wordt door andere apparaten, zal het gebruik hierdoor beïnvloedt worden.
- Druk niet gelijktijdig knoppen op het apparaat en de afstandsbediening in.
- Vermijd het gelijktijdig gebruiken van twee afstandsbedieningen, aangezien dit een storing zal veroorzaken.
- Gebruik alleen UM-4 'AAA' batterijen. Gebruik geen oude en nieuwe batterijen naast elkaar.
- Als de batterijen lekken, maak de afstandsbediening dan grondig schoon voordat u de batterijen vervangt
- Verbind twee kanten van de batterijen niet met elkaar. Gooi oude batterijen weg op de daarvoor bestemde plek.

NORMALE FUNCTIE

1. Zet de aan/uit-schakelaar op de achterkant van de speaker op de AC of DC modus.
2. Selecteer een geluidsbron door op de INVOER A knop te drukken op het voorpaneel om AUX A, BT A, FM en USB A weer te geven. Druk op de INVOER B knop op het voorpaneel om LINE en USB B weer te geven.

Wanneer het apparaat in de AC modus staat:

- Wanneer u een keer op de stand-by knop drukt, zal u de oplaadmodus activeren en de oplaadstatus van de accu wordt weergegeven op het blauwe led-scherm.
- Een tweede keer op de stand-by knop drukken zal de speaker activeren en een groen oplaadlichtje laten zien.
- U kunt ook de stand-by modus selecteren zonder de accu op de laden

Wanneer het apparaat in de DC modus staat:

- Als u op de stand-by knop drukt, ziet u het accuniveau op het blauwe led-scherm

3. Draai aan de VOLUME/MULTI/DJ EFFECT knop op het besturingspaneel of druk op de VOL+/- knoppen op de afstandsbediening om het primaire volume aan te passen. Pas vervolgens de volumeschuifregelaar van INVOER A aan en gebruik de rechter volumeschuifregelaar om het volume van INVOER B aan te passen.
4. Om de bas, treble, X-drive, speakerlichten en het primaire volume aan te passen, drukt u op de menu-knop om bas, treble, X-drive of speakerlichten te selecteren en vervolgens draait u aan de grote VOLUME/MULTI/DJ EFFECT knop.
5. HOOFDTELEFOON UITVOER selectie. Druk op de PHONES MODE knop op het besturingspaneel om INPUT A (INVOER A), INPUT B (INVOER B) of INPUT AB (INVOER AB) weer te geven en pas het volume van A, B of AB aan door aan de multi DJ effect knop te draaien.
6. Druk op de LIGHT knop op de afstandsbediening of druk op de MENU knop op het voorpaneel totdat de speaker licht modus weergegeven is. Draai vervolgens aan de VOLUME/MULTI/DJ EFFECT knop om de OFF (UIT), R,G,B, RG, RB, GB, RGB, AUTO, DEMO licht modus te selecteren.
7. Druk op de MUTE knop op de afstandsbediening om het geluid te dempen en nog een keer om dit ongedaan te maken.
8. Druk op de X DRIVE knop op de afstandsbediening om het X-Bas effect in/uit te schakelen.

SPEAKER LICHTKLEUR BESTURINGSOPTIES

- R = rode lichten knipperen
- G = groene lichten knipperen
- B = blauwe lichten knipperen
- RG = rode en groene lichten knipperen RB = rode en blauwe lichten knipperen GB = groene en blauwe lichten knipperen
- RGB = rode, groene en blauwe lichten knipperen
- Auto = de verschillende kleurcombinaties worden willekeurig geselecteerd en knipperen.
- Demo = lichten knipperen en veranderen van kleur, net alsof ze reageren op de beat van de muziek.

AFSTEM APPLICATIES

1. Voordat u de radiofuncties gebruikt, moet u eerst de antenne aanpassen om een optimaal ontvangst te krijgen.
Druk op de INVOER A knop op het voorpaneel of de FM knop op de afstandsbediening om de "FM" functie te selecteren.
2. Druk op de AUTO knop op de afstandsbediening of de afspeelknop van het INVOER A besturingspaneel.
Het apparaat zal automatisch lage tot hoge radiofrequenties scannen en de gevonden kanalen een voor een opslaan.
3. Druk op de CH+/CH- knop op de afstandsbediening om te schakelen tussen de radiokanalen die opgeslagen zijn.
4. Druk op of houdt de TU+/TU- knop op de afstandsbediening ingedrukt om de radiofrequentie handmatig aan te passen.
5. Om radiostations vanaf het besturingspaneel te selecteren, houdt u de volgende/vorige knoppen ingedrukt.

KARAOKE EN GITAAR FUNCTIE

1. Het apparaat kan automatisch detecteren of een MICROFOON of GITAAR verbonden is.
Zet het geluid van het microfoon volume uit met de MIC.VOL knop op het voorpaneel en pas het volume geleidelijk aan nadat u de microfoon verbonden heeft. Opmerking: De PMX-300 wordt geleverd met een draadloze microfoon op 2 AA-batterijen (niet meegeleverd). Wanneer u de knop op "ON" zet, kunt u spreken en het volume en echo aanpassen op het bedieningspaneel.
2. Draai aan de ECHO knop op het voorpaneel om de ECHO van de microfoon aan te passen.
3. Draai aan de GUITAR VOL knop op het voorpaneel om het VOLUME van de gitaar aan te passen.

Opmerking: Raak de bovenkant van de microfoon niet aan tijdens het zingen om het jankende effect te voorkomen.

Pas het volume van de microfoon geleidelijk aan om het jankende effect te voorkomen.

BLUETOOTH KOPPELEN EN VERBINDEN

- Schakel alle Bluetooth apparaten uit die u voorheen gekoppeld (verbonden) heeft met dit apparaat.
- Activeer de Bluetooth functie op uw telefoon of muzikspeler.
- Zet dit apparaat aan en stel deze in op de Bluetooth modus. Het knipperende blauwe "BT" licht op het LED-scherm geeft aan dat de koppelmodus geactiveerd is.
- Zoek met uw telefoon of muzikspeler naar Bluetooth apparaten.
- Selecteer 'PMX-300' in de zoekresultaten van uw telefoon of muzikspeler.
- Selecteer OK (OKÉ) of YES (JA) om dit apparaat met uw telefoon of muzikspeler te verbinden.
- Voer 0000 in als er om een wachtwoord gevraagd wordt en een vast blauw licht geeft aan dat de verbinding gelukt is.
- Druk op de DISCONNECT knop op de afstandsbediening om de Bluetooth verbinding te verbreken.

FUNCTIE VAN DE USB-LEZER

USB-interface

Dit apparaat heeft twee USB aansluitingen. Druk op de INVOER A knop om USB A te selecteren en vervolgens kunt u een USB-stick verbinden om muziek af te spelen. Druk op de INVOER B knop om USB B te selecteren en vervolgens kunt u nog een USB-stick verbinden om muziek af te spelen.

Belangrijk: De USB-poort is alleen bedoeld voor het versturen van data, andere apparaten kunnen niet gebruikt worden met de USB-verbinding. Het gebruik van USB-verlengkabels raden we af.

TIJDWEERGAVE

In de USB modus kan het scherm zowel de verstreken als resterende tijd weergeven.

Door de afspelen/pauzeren knop lang ingedrukt te houden, kunt u schakelen tussen een negatieve of positieve tijdweergave.

DE ACCU OPLADEN

1. De stand-by kan niet gebruikt worden wanneer het apparaat aangedreven wordt door de accu.
2. Het besturingspaneel heeft een oplaadlichtje. Wanneer de accu voldoende opgeladen is, is het lichtje groen.

Wanneer de accu bijna leeg is, zal er 'LOW POWER' (ACCU BIJNA LEEG) op het scherm verschijnen en het lichtje wordt rood.

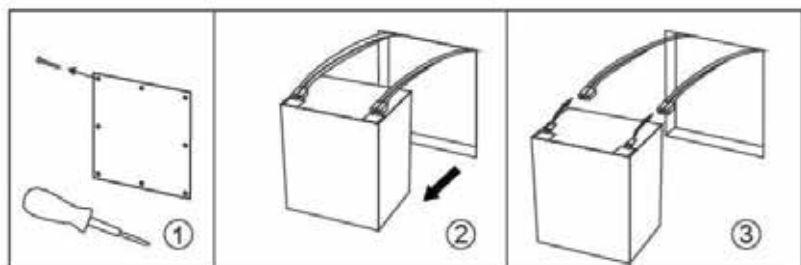
OM DE LEVENSDUUR VAN DE INTERNE BATTERIJ TE BESCHERMEN:

Zet wanneer de batterij leeg is onmiddellijk de aan/uit-schakelaar aan de achterzijde op de OFF-positie om de levensduur van de interne batterij te beschermen of OP AC om ze opnieuw op te laden.

Belangrijk: De leverancier is niet aansprakelijk voor schade veroorzaakt door verkeerd gebruik van het apparaat en de batterij is gedekt door de garantie.

ACCU VERWIJDEREN

1. Verwijder de schroeven op het achterpaneel.
2. Haal de accu eruit.
3. Ontkoppel de accu



| | | ACCESSOIRES |
|--------------------------|-------|-------------------------|
| Afstandsbediening | | 1 st |
| Handleiding | | 1 st |
| Draadloze microfoon | | 1 st |
| AC stroomkabel | | 1 st |
| | | SPECIFICATIE |
| Frequentiebereik | | 20Hz-20KHz |
| Voedingsbron | | 230V~50Hz/12VDC |
| Max.Stroomverbruik | | 120 W |
| Accu | | Lood/zuur 12VDC, 4,5 Ah |
| DC Gebruikstijd | | ~10u bij 50% volume |
| Totaal vermogen | | 250 W (RMS) |
| Microfoon | | Draadloos 864 MHz |
| Bluetooth | | V4.2 |
| FM-radio | | 87,5-108 MHz |
| Afmetingen (B x D x H) | | 32 x 33,7 x 98 cm |
| Tweeter afmeting | | 5,08 x 2,54 cm |
| Woofer afmeting | | 2,54 x 7,62 cm |
| Subwoofer afmeting | | 5,08 x 25,4 cm |
| Gewicht van het apparaat | | 21 kg |
| Gebruikstemperatuur | | 10-40 °C |

- De specificatie fungeert alleen als een referentie. Het gewicht en de afmetingen zijn gemiddelden.
- Ons product wordt continu verbeterd en de specificaties en functies kunnen zonder voorafgaande kennisgeving aangepast worden.

Dit product werkt op 2400 - 2483,5 MHz en is ontworpen om alleen te worden gebruikt in een normale huishoudelijke omgeving. Dit product is geschikt voor dit doel binnen alle EU-landen.

Opgelet (bij gebruik van draadloze microfoon)

Dit product werkt met een frequentie van **864** MHz en is alleen bedoeld voor gebruik binnen een normale huishoudelijke omgeving. Dit product is geschikt voor dit doel in de meeste EU-landen.

De gebruiker zou de toegestane frequenties van het land waar het apparaat gebruikt zal worden moeten controleren.

(Meer informatie kan gevonden worden op: <https://www.apwpt.org>)

De gebruiker is verantwoordelijk voor het gebruik van dit apparaat. Lenco kan niet aansprakelijk gesteld worden als dit apparaat gebruikt wordt voor andere doeleinden dan degene die in deze handleiding zijn beschreven.

Garantie

Lenco biedt service en garantie aan overeenkomstig met de Europese wetgeving. Dit houdt in dat u, in het geval van reparaties (zowel tijdens als na de garantieperiode), uw lokale handelaar moet contacteren.

Belangrijke opmerking: Het is **niet** mogelijk om producten die moeten worden gerepareerd rechtstreeks naar Lenco te sturen.

Belangrijke opmerking: De garantie verloopt als een onofficieel servicecenter het apparaat op wat voor manier dan ook heeft geopend, of er toegang toe heeft gekregen.

Het apparaat is niet geschikt voor professioneel gebruik. In het geval van professioneel gebruik worden alle garantieverplichtingen van de fabrikant nietig verklaard.

Disclaimer

Er worden regelmatig updates in de firmware en/of hardwarecomponenten gemaakt. Daardoor kunnen gedeelten van de instructie, de specificaties en afbeeldingen in deze documentatie enigszins verschillen van uw eigen situatie. Alle onderwerpen die staan beschreven in deze handleiding zijn bedoeld als illustratie en zijn niet van toepassing op specifieke situaties. Aan de beschrijving in dit document kunnen geen rechten worden ontleend.

Afvoer van het oude apparaat



Dit symbool geeft aan dat het betreffende elektrische product of de accu/batterij niet mag worden verwijderd als algemeen huishoudelijk afval in Europa. Zorg voor een juiste afvalverwerking door het product en de accu/batterij in overeenstemming met alle van toepassing zijnde lokale wetten voor het verwijderen van elektrische apparatuur of accu's/batterijen te verwijderen. Als u dit doet, helpt u de natuurlijke hulpbronnen te behouden en de standaard van milieubescherming te verbeteren bij de behandeling en verwijdering van elektrisch afval (Afgedankte Elektrische en Elektronische Apparatuur).

Service

Bezoek voor meer informatie en helpdeskondersteuning www.lenco.com

Lenco Benelux BV, Thermiekstraat 1a, 6361 HB, Nuth, Nederland.

ACHTUNG:

Die zweckentfremdete Bedienung, Benutzung oder Einstellung der Prozeduren kann zu gefährlichen Unfällen durch Strahlen führen.

Dieses Gerät darf außer von qualifizierten Fachleuten von niemand anderem repariert oder eingestellt werden.

VORSICHTSMASSNAHMEN VOR DER BENUTZUNG

BEFOLGEN SIE IMMER FOLGENDE ANWEISUNGEN:

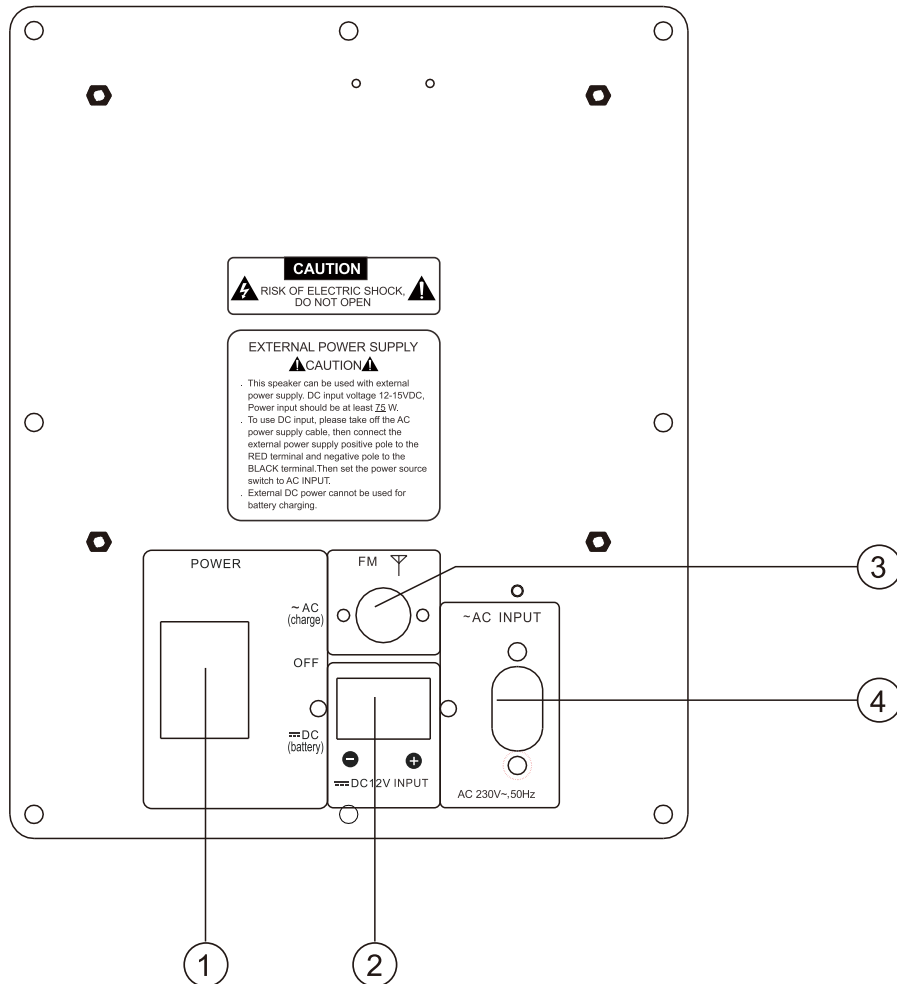
1. Benutzen Sie das Gerät nicht in der Nähe von Wasser.
2. Benutzen Sie zur Reinigung ein nur leicht befeuchtetes Tuch.
3. Blockieren Sie keine Lüftungsöffnungen. Wenn Sie das Gerät auf ein Regal stellen, lassen Sie um das gesamte Gerät 5 cm (2") freien Platz.
4. Stellen Sie das Gerät entsprechend den Anweisungen der mitgelieferten Bedienungsanleitung auf.
5. Treten Sie nicht auf das Netzteil und klemmen Sie es auch nicht ein. Seien Sie im näheren Bereich des Steckers und der Herausführungen des Kabels besonders vorsichtig. Stellen Sie keine schweren Gegenstände auf das Netzteil, weil es dadurch beschädigt werden könnte. Halten Sie das gesamte Gerät außerhalb der Reichweite von Kindern! Durch Spielen mit dem Netzkabel können sie sich ernsthafte Verletzungen zuziehen.
6. Trennen Sie das Gerät während eines Gewitters oder bei längerer Nichtbenutzung vom Netz.
7. Halten Sie das Gerät von Hitzequellen wie Radiatoren, Heizern, Öfen, Kerzen oder anderen hitzeerzeugenden Gegenständen fern.
8. Meiden Sie bei der Nutzung des Produkts die Nähe starker Magnetfelder.
9. Elektrostatische Entladungen können die normale Verwendung von diesem Gerät stören. Sollte dies geschehen, führen Sie einfach einen Reset aus und starten Sie dann das Gerät entsprechend den Anweisungen dieser Bedienungsanleitung neu. Gehen Sie besonders bei Datenübertragungen mit dem Gerät vorsichtig um und führen Sie diese nur in einer antielektrischen Umgebung aus.
10. Warnung! Niemals Gegenstände durch die Lüftungsschlitze oder Öffnungen in das Gerät stecken. Im Gerät sind hohe Spannungen vorhanden und das Einführen von Gegenständen kann zu Stromschlag bzw. zu Kurzschlüssen der internen Teile führen. Aus dem gleichen Grund kein Wasser oder Flüssigkeiten in das Gerät geben.
11. Benutzen Sie das Gerät nicht in nasser oder feuchter Umgebung wie Bad, Dampfküche oder in der Nähe von Schwimmbecken.
12. Benutzen Sie das Gerät nicht bei Kondensationsgefahr.
13. Obwohl dieses Gerät unter größter Sorgfalt und vor Auslieferung mehrmals überprüft wurde, können trotzdem wie bei jedem anderen elektrischen Gerät auch Probleme auftauchen. Trennen Sie das Gerät im Falle einer Raucherentwicklung, starker Hitzeentwicklung oder jeden anderen unnatürlichen Erscheinung sofort vom Netz.
14. Das Gerät muss immer gut belüftet sein!
15. Dieses Gerät ist durch eine Stromquelle wie auf dem Typenschild angegeben zu betreiben. Halten Sie bei Unsicherheiten über die Art Ihrer Stromversorgung in Ihrer Wohnung Rücksprache mit Ihrem Händler oder Ihrer Stromzuliefererfirma.
16. Die Wandsteckdose muss sich in der Nähe des Geräts befinden und einfach zu erreichen sein.
17. Steckdosen und Verlängerungsleitungen nicht überlasten. Eine Überlastung kann zu Brandgefahr bzw. Stromschlägen führen.
18. Geräte der Schutzklasse 1 sind an eine Netzsteckdose mit Schutzleiter anzuschließen.
19. Geräte der Schutzklasse 2 benötigen keinen Schutzleiteranschluss.
20. Halten Sie Nagetiere vom Gerät fern. Nagetiere lieben es, am Netzkabel zu nagen.
21. Halten Sie den Netzstecker in der Hand, wenn Sie ihn aus der Netzsteckdose ziehen. Ziehen Sie ihn nicht durch Zerren am Kabel heraus. Das kann zu einem Kurzschluss führen.
22. Vermeiden Sie es, das Gerät auf Oberflächen aufzustellen, die zu Schwingungen oder Stoß neigen.
23. Trennen Sie bei Gewitter den Netzadapter vom Stromnetz, um das Gerät zu schützen.

24. Wenn das Gerät für längere Zeit nicht verwendet wird, sollte die Stromversorgung aus Sicherheitsgründen unterbrochen werden.
25. Benutzen Sie zur Reinigung ein nur leicht befeuchtetes Tuch. Benutzen Sie niemals Lösungsmittel oder Flüssigkeiten auf Ölbasis. Benutzen Sie zum Entfernen hartnäckiger Flecken ein feuchtes Tuch mit mildem Reinigungsmittel.
26. Der Hersteller haftet nicht für Schäden oder Verluste durch Fehlfunktion, Zweckentfremdung oder Modifikation des Geräts oder durch Wechseln der Batterien.
27. Unterbrechen Sie die Verbindung nicht während einer Formatierung oder einer Datenübertragung. Bei Unterbrechung drohen Datenverlust und Datenbeschädigung.
28. USB-Sticks sind direkt mit dem Gerät zu verbinden. Verwenden Sie kein USB-Verlängerungskabel, weil die erhöhte Störungsanfälligkeit zu Datenverlust führen könnte.
29. Das Gerät darf weder Tropf- noch Spritzwasser ausgesetzt werden und es dürfen keine mit Flüssigkeit gefüllten Behälter wie z.B. Vasen auf das Gerät oder in der Nähe des Gerätes gestellt werden.
30. Um das Gerät vollständig vom Netz zu trennen, muss der Netzstecker des Gerätes vom Stromnetz getrennt werden, wobei die zu trennende Einheit den Netzstecker des Gerätes bezeichnet.
31. Der Netzstecker darf nicht blockiert werden und muss während des bestimmungsgemäßen Gebrauchs immer leicht erreichbar sein.
32. Die Batterie darf keiner extremen Hitze wie z.B. Sonnenschein, Feuer o.ä. ausgesetzt werden.
33. Für eine ausreichende Kühlung des Geräts ist um dieses herum mindestens ein Freiraum von 10 cm zu lassen.
34. Die Ventilation darf nicht durch Abdecken der Ventilationsöffnungen durch Gegenstände wie Zeitungen, Tischdecken, Gardinen o.ä. behindert werden.
35. Stellen Sie kein offenes Feuer wie z.B. angezündete Kerzen auf das Gerät.
36. Bei der Batterieentsorgung sind die Entsorgungsvorschriften einzuhalten.
37. Das Gerät kann nur bei moderaten Temperaturen verwendet werden. Eine Nutzung in extrem kalten oder heißen Umgebungen sollte vermieden werden.
38. Das Typenschild befindet sich an der Unterseite des Geräts.
39. Dieses Gerät ist nicht zur Benutzung durch Personen (auch Kinder) mit physischen, sensorischen oder mentalen Beeinträchtigungen oder ohne ausreichender Erfahrung vorgesehen, es sei denn, sie werden durch eine verantwortliche Person beaufsichtigt oder wurden in die ordnungsgemäße Bedienung des Gerätes durch eine für ihre Sicherheit verantwortlichen Person eingewiesen.
40. Dieses Produkt ist nur für den Hausgebrauch und nicht für gewerbliche oder industrielle Zwecke bestimmt.
41. Stellen Sie sicher, dass das Gerät in einer stabilen Position aufgestellt ist. Schäden, die durch Verwendung dieses Produkts in einer instabilen Position oder durch Nichtbeachtung der anderen in diesem Handbuch enthaltener Warnungen und Vorwarnung entstehen, werden nicht durch die Garantie abgedeckt.
42. Entfernen Sie niemals das Gehäuse dieses Geräts.
43. Stellen Sie dieses Gerät niemals auf andere elektrische Geräte.
44. Verwenden oder bewahren Sie dieses Produkt nicht an Orten auf, in denen es direkter Sonneneinstrahlung, Hitze, übermäßigem Staub oder Vibration ausgesetzt ist.
45. Reinigen Sie dieses Produkt nicht mit Wasser oder anderen Flüssigkeiten.
46. Blockieren Sie nicht die Schlitze und Öffnungen in dieses Produkts.
47. Schieben Sie keine Fremdkörper in die Schlitze und Öffnungen in dieses Produkts.
48. Ermöglichen Sie Kindern nicht den Zugriff auf Plastiktüten.
49. Vergewissern Sie sich, dass die Spannungsangaben auf dem Typenschild des Geräts mit der Spannungsversorgung in Ihrem Haushalt übereinstimmen (Das Typenschild befindet sich an der Rückseite des Geräts).
50. Verhindern Sie, dass das Netzkabel eingequetscht oder darauf getreten wird, insbesondere an den Steckern, Steckdosen und der Stelle, an der das Kabel aus dem Gerät austritt.
51. Benutzen Sie nur vom Hersteller empfohlene Erweiterungen/Zubehörteile.
52. Sprechen Sie alle Eingriffe mit qualifiziertem Fachpersonal ab. Eingriffe werden notwendig, wenn das Gerät in irgendeiner Weise beschädigt wurde, beispielsweise am Netzkabel oder am Netzstecker oder wenn Flüssigkeit in das Gerät gelangt ist bzw. Gegenstände in das Gerät gefallen sind, das Gerät Regen oder Feuchtigkeit ausgesetzt war, es heruntergefallen ist oder nicht ordnungsgemäß funktioniert.
53. Verwenden Sie weder ein beschädigtes Netzkabel noch einen beschädigten Stecker oder eine lockere Steckdose. Es besteht Brand- und Stromschlaggefahr.

Warnung: Längeres Hören lauter Töne aus einem Musikgerät kann zum zeitweiligen oder permanenten Hörverlust führen.

AUFBAU

- Packen Sie alle Teile aus und entfernen Sie danach die Schutzmaterialien.
- Schließen Sie das Gerät nicht eher an das Netz an, bevor Sie die Netzspannung überprüft haben und alle anderen notwendigen Verbindungen hergestellt sind-
- Bedecken Sie die Lüftungsschlitze nicht und vergewissern Sie sich, dass um das Gerät herum einige cm Platz für die Kühlung gelassen wurden.



1. Ein/Aus-Schalter

Schaltermodi: BATTERIEBETRIEB, NETZBETRIEB oder aus.

Wenn Sie den Schalter auf AC stellen, dann wird der Lautsprecher mit 230 V Netzspannung betrieben und die Batterie aufgeladen.

Wenn Sie den Schalter auf OFF stellen, dann ist der Lautsprecher ausgeschaltet und die Batterie wird nicht aufgeladen.

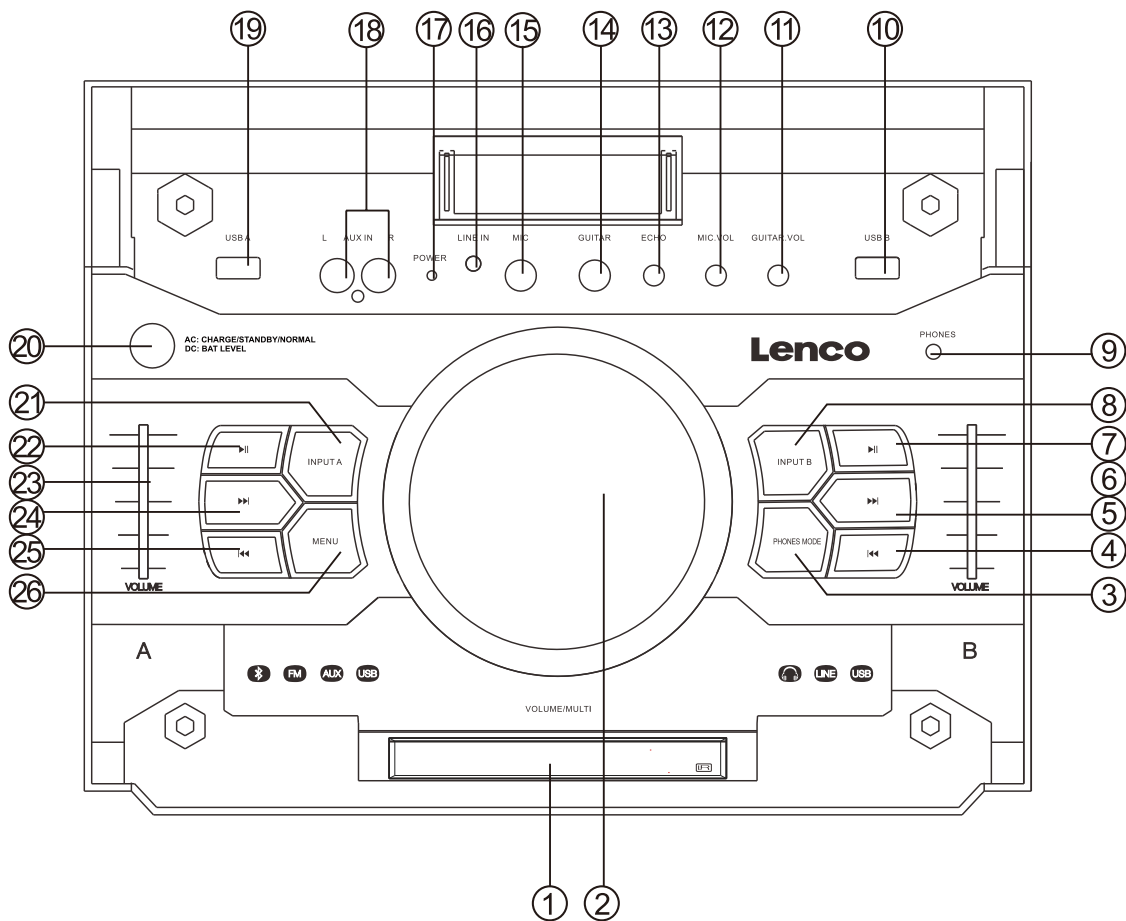
Wenn Sie den Schalter auf DC stellen, dann wird der Lautsprecher über Batterie betrieben.

2. GLEICHSPANNUNGSEINGANG 12 V

Der Lautsprecher kann an das 12-V-Bordnetz von Autos angeschlossen werden.

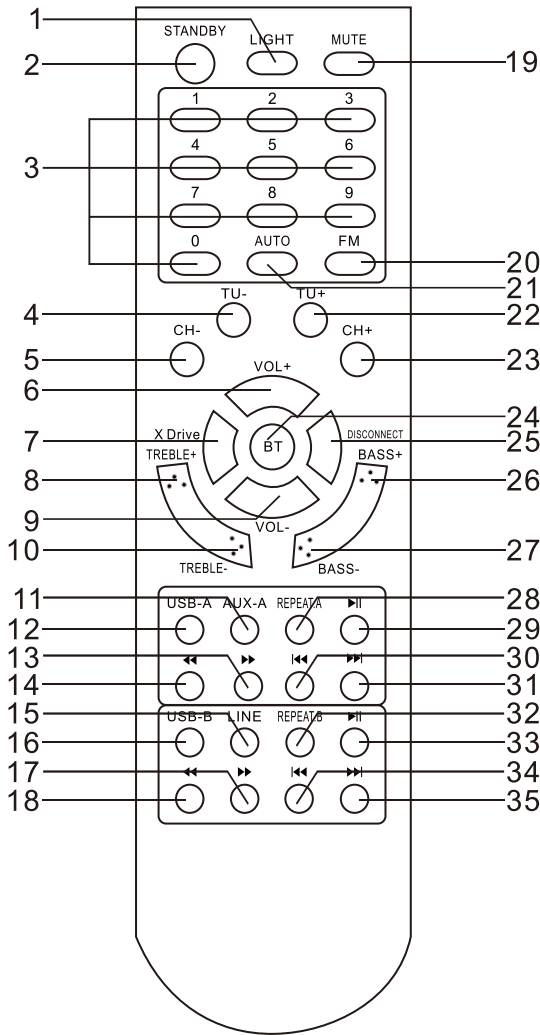
3. FM-ANTENNE

4. WECHSELSPANNUNGSEINGANG 230 V/50 Hz

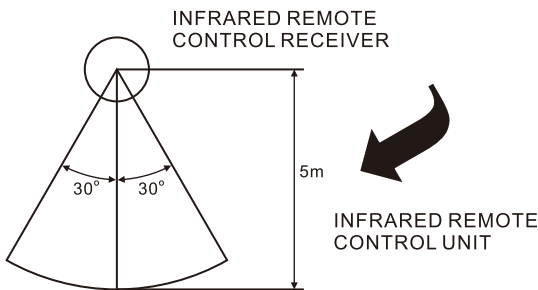


1. **LED-Display**
Das Display zeigt Ihnen Informationen über Systemparameter an – auf der linken Seite des Displays wird der Status von EINGANG A, auf der rechten der von EINGANG B angezeigt.
2. **LAUTSTÄRKE/MULTI/DJ-EFFEKTE**
Drehen Sie den Drehregler, um Gesamtlautstärke, Kopfhörerlautstärke, Höhen und Bässe einzustellen. Drücken Sie diese Taste kurz, um die verschiedenen Musikeffekte SCRATCH, REVERB, BEAT BOX, YEAH, BRING IT, GEYA, COME ON auszuwählen. Drücken Sie diese zur Auswahl der SCHLAGZEUGEFFEKTE lang.
3. **KOPFHÖRERMODUS**
Drücken Sie diese Taste, um zwischen den Kopfhörermodi EINGANG A, EINGANG B und EINGANG AB auszuwählen.
4. **EINGANG B VORHERIGER**
Drücken Sie diese Taste, um den vorherigen Titel für USB B zu wählen.
5. **EINGANG B NÄCHSTER**
Drücken Sie diese Taste, um den nächsten Titel für USB B zu wählen.
6. **LAUTSTÄRKE EINGANG B**
Stellen Sie hiermit die Lautstärke für EINGANG B ein.
7. **WIEDERGABE/PAUSE EINGANG B**
Drücken Sie diese Taste, um die Musikwiedergabe von EINGANG B zu starten oder zu pausieren. Drücken Sie während der USB-Wiedergabe diese Taste lang, um die Anzeige der Wiedergabezeit aufwärts oder abwärts zählend einzustellen.

8. MODUS EINGANG B
Drücken Sie diese Taste, um entweder LINE oder USB B als Eingangsmodi für EINGANG B auszuwählen.
9. BUCHSE KOPFHÖREREINGANG
10. USB-PORT für EINGANG USB B
11. GITARRELAUTSTÄRKE
Stellen Sie hier die Lautstärke Ihrer GITARRE ein.
12. MIKROFONLAUTSTÄRKE
Stellen Sie hier die Lautstärke des MIKROFONS ein.
13. ECHO
Stellen Sie hier das ECHO für den MIKROFONEINGANG ein.
14. GITARREBUCHSE
15. MIKROFONBUCHSE
16. AUDIOEINGANGSBUCHSE LINE-IN
Schließen Sie hier das LINE-IN-Signal einer Audioquelle an.
17. Betriebsanzeige-LED
18. AUDIOEINGANGSBUCHSE AUX
Schließen Sie hier das AUX-OUT-Signal einer Audioquelle an.
19. USB-PORT für EINGANG USB A
20. Bei Wechselspannung: AUFLADEN/STANDBY/NORMAL
Drücken Sie diese Taste lang, um in den Standby-Modus zu wechseln oder das Gerät einzuschalten.
Durch kurzes Drücken der Taste können Sie in den AUFLADE-, STANDBY- oder NORMALBETRIEB wechseln.
Bei BATTERIEBETRIEB: BATTERIELADUNG
Wenn Sie diese Taste kurz drücken, wird die aktuelle Batterieladung angezeigt.
21. MODUS EINGANG A
Drücken Sie diese Taste, um zwischen den Modi für EINGANG A auszuwählen – AUX A, BLUETOOTH A, UKW, USB A.
22. WIEDERGABE/PAUSE EINGANG A
Drücken Sie diese Taste, um die Musikwiedergabe von EINGANG A zu starten oder zu pausieren.
Drücken Sie während der USB-Wiedergabe diese Taste lang, um die Anzeige der Wiedergabezeit aufwärts oder abwärts zählend einzustellen.
23. LAUTSTÄRKE EINGANG A
Stellen Sie hiermit die Lautstärke für EINGANG A ein.
24. EINGANG A NÄCHSTER
Drücken Sie diese Taste, um den nächsten Titel für USB A zu wählen.
25. EINGANG A VORHERIGER
Drücken Sie diese Taste, um den vorherigen Titel für EINGANG USB A zu wählen.
26. MENÜ
Mit dieser Taste wählen Sie die Gesamtlautstärke, Bässe, Höhen, X-Drive und Lichtmodus aus.



1. LICHT
2. STANDBY
3. ZIFFERTASTEN
4. ABSTIMMEN -
5. KANAL -
6. LAUTSTÄRKE +
7. X-DRIVE
8. HÖHEN +
9. LAUTSTÄRKE -
10. HÖHEN -
11. AUX-A
12. USB-A
13. USB-A VORSPULEN
14. USB-A ZURÜCKSPULEN
15. LINE
16. USB-B
17. USB-B VORSPULEN
18. USB-B ZURÜCKSPULEN
19. STUMM
20. UKW
21. AUTOMATISCH
22. ABSTIMMEN +
23. KANAL +
24. BLUETOOTH
25. TRENNEN
26. BASS +
27. BASS -
28. INPUT-A WIEDERHOLUNG
29. INPUT-A PAUSE
30. INPUT-A VORHERIGER
31. INPUT-A NÄCHSTER
32. INPUT-B WIEDERHOLUNG
33. INPUT-B PAUSE
34. INPUT-B VORHERIGER
35. INPUT-B NÄCHSTER



| |
|----------------------------------|
| EN |
| INFRARED REMOTE CONTROL RECEIVER |
| 5m |
| INFRARED REMOTE CONTROL UNIT |
| DE |
| EMPFÄNGER IR-FERNBEDIENUNG |
| 5 m |
| IR-FERNBEDIENUNG |

BEDIENUNG FERNBEDIENUNG:

- Wenn die Fernbedienung in Konflikt mit anderen Geräten steht, wirkt sich dies negativ auf die Bedienung auf.
- Drücken Sie nicht gleichzeitig Tasten am Gerät und auf der Fernbedienung.
- Benutzen Sie 2 Fernbedienungen nicht zur selben Zeit, weil dies zu Fehlfunktionen führt.
- Verwenden Sie nur UM-4 Batterien (Typ AAA). Verwenden Sie gebrauchte und neue Batterien nicht zusammen.
- Wenn eine Batterie ausgelaufen ist, dann reinigen Sie die Fernbedienung gründlich, bevor Sie neue Batterien einsetzen.
- Schalten Sie die beiden Batteriepole nicht kurz. Entsorgen Sie verbrauchte Batterien vorschriftsmäßig.

NORMALBETRIEB

1. Wählen Sie über den Ein/Aus-Schalter auf der Rückseite des Lautsprechers entweder den AC- (Netzbetrieb) oder den DC-Modus (Batteriebetrieb) aus.
2. Wählen Sie durch Drücken der Taste EINGANG A auf der Vorderseite des Lautsprechers eine Audioquelle aus. Auf der Anzeige erscheint AUX A, BT A (Bluetooth A), FM (UKW) oder USB A. Drücken Sie für die Auswahl und Anzeige von LINE oder USB B die Taste EINGANG B auf der Vorderseite des Lautsprechers.

Lautsprecher im Netzbetrieb:

- Drücken Sie die Taste Standby einmal, um den Lademodus zu aktivieren. Auf dem blauen LED-Display wird das Statussymbol für das Batterieladen angezeigt.
- Wenn Sie die Taste ein zweites Mal drücken, dann schaltet sich der Lautsprecher ein und die grüne Lade-LED leuchtet auf.
- Sie können ebenfalls den Standby-Modus auswählen, ohne die Batterie aufladen zu lassen.

Lautsprecher im Batteriebetrieb:

- Wenn Sie die Taste Standby drücken, dann wird auf dem blauen LED-Display der Zustand der Batterieladung angezeigt.
3. Drehen Sie den Drehregler VOLUME/MULTI/DJ EFFECT der Bedieneinheit oder drücken Sie die Taste VOL+/- auf der Fernbedienung, um die Gesamtlautstärke einzustellen. Stellen Sie dann mit dem Lautstärke-Schieberegler die Lautstärke für EINGANG A ein und verwenden Sie den rechten Lautstärke-Schieberegler, um die Lautstärke von EINGANG B zu ändern.
 4. Drücken Sie die Taste MENU, um Bass, Höhen, X-Drive, Lautsprecherlicht und Gesamtlautstärke auszuwählen und mit dem Drehregler VOLUME/MULTI/DJ EFFECT einzustellen.
 5. Auswahl KOPFHÖRERAUSGANG. Drücken Sie die Taste PHONES MODE der Bedieneinheit, bis INPUT A, INPUT B oder INPUT AB angezeigt wird und stellen Sie anschließend mit dem Drehregler VOLUME/MULTI/DJ EFFECT die Lautstärke ein.
 6. Drücken Sie die Taste LIGHT auf der Fernbedienung oder die Taste MENU der Bedieneinheit, bis der Modus speaker light (Lautsprecherlicht) angezeigt wird und wählen Sie anschließend mit dem Drehregler VOLUME/MULTI/DJ EFFECT einen der Lichtmodi OFF (aus), R, G, B, RG, RB, GB, RGB, AUTO oder DEMO aus.
 7. Drücken Sie für eine Stummschaltung die Taste MUTE auf der Fernbedienung. Drücken Sie diese Taste noch einmal, um die Stummschaltung wieder aufzuheben.
 8. Drücken Sie X DRIVE auf der Fernbedienung, um den X-Bass ein- oder auszuschalten.

OPTIONEN FÜR DIE LAUTSPRECHER-LICHTFARBENSTEUERUNG

- R = rot blinkendes Licht
- G = grün blinkendes Licht
- B = blau blinkendes Licht
- RG = rot und grün blinkendes Licht RB = rot und blau blinkendes Licht GB = grün und blau blinkendes Licht
- RGB = rot, grün und blau blinkendes Licht
- Auto = zyklisches Durchlaufen verschiedener blinkender Farbkombinationen
- Demo = das Licht blinkt und ändert die Farbe, als ob es auf den Rhythmus der Musik reagieren würde.

TUNERBEDIENUNG

1. Bevor Sie die Radiofunktionen benutzen können, müssen Sie für einen optimalen Empfang die Antenne einstellen.
Drücken Sie die Taste EINGANG A der Bedieneinheit oder die Taste FM auf der Fernbedienung, um die Funktion „FM“ (UKW) auszuwählen.
2. Drücken Sie die Taste AUTO auf der Fernbedienung oder die Wiedergabetaste für EINGANG A der Bedieneinheit.
Der Lautsprecher scannt nun automatisch aufwärts nach Radiosendern und speichert nacheinander alle gefundenen Radiosender ab.
3. Drücken Sie die Taste CH+/CH– auf der Fernbedienung, um zwischen den eben abgespeicherten Radiosender zu wechseln.
4. Halten Sie die Taste TU+/TU– auf der Fernbedienung gedrückt, um die Radiofrequenz manuell einzustellen.
5. Halten Sie die Taste NEXT/PREV gedrückt, um Radiosender über die Bedieneinheit auszuwählen.

KARAOKE- UND GITARRENFUNKTION

1. Der Lautsprecher erkennt automatisch, ob eine GITARRE oder ein MIKROFON angeschlossen wurde. Drehen Sie bitte die Mikrofonlautstärke mit dem Drehregler MIC.VOL der Bedieneinheit herunter und stellen Sie diese nach Anstecken des Mikrofons schrittweise wieder lauter. Anmerkung: Das PMX-300 wird mit einem kabellosen Mikrofon ausgeliefert, welches über 2 Mignonzellen (nicht im Lieferumfang enthalten) betrieben wird. Wenn Sie das Gerät eingeschaltet haben, können Sie in das Mikrofon sprechen und dessen Lautstärke und Echo über das Bedienfeld regeln.
2. Stellen Sie das Mikrofonecho mit dem Drehregler ECHO der Bedieneinheit ein.
3. Stellen Sie die Gitarrenlautstärke mit dem Drehregler GUITAR.VOL der Bedieneinheit ein.

Hinweis: Berühren Sie beim Singen nicht die Mikrofonkapsel, um Rückkopplungen vorzubeugen. Erhöhen Sie die Mikrofonlautstärke schrittweise, um Rückkopplungseffekte zu vermeiden.

BLUETOOTH KOPPELN UND VERBINDEN

- Schalten Sie alle bereits vorher mit dem Lautsprecher gekoppelten (verbundenen) Bluetooth-Geräte aus.
- Aktivieren Sie das Bluetooth Ihres Mobilgeräts oder ihres Musikplayers.
- Schalten Sie den Lautsprecher ein und wechseln Sie dann in den Bluetooth-Modus. Die blau blinkende „BT“-LED zeigt an, dass sich der Lautsprecher im Kopplungsmodus befindet.
- Suchen Sie mit Ihrem Mobilgerät oder Musikplayer nach Bluetooth-Geräten.
- Wählen Sie aus den Suchergebnissen Ihres Mobilgeräts oder Musikplayers „PMX-300“ aus.
- Wählen Sie OK oder YES (Ja) aus, um den Lautsprecher mit Ihrem Mobilgerät oder Musikplayer zu koppeln.
- Geben Sie wenn nötig als Passwort „0000“ ein. Die permanent blau leuchtende LED zeigt das erfolgreiche Verbinden an.
- Drücken Sie die Taste DISCONNECT auf der Fernbedienung, um die Bluetooth-Verbindung wieder zu trennen.

FUNKTION DER USB-SCHNITTSTELLE

USB-Schnittstelle

Der Lautsprecher besitzt 2 USB-Ports. Drücken Sie die Taste EINGANG A, um USB A auszuwählen. Danach können Sie für das Wiedergeben von Musik einen USB-Stick einstecken. Drücken Sie die Taste EINGANG B, um USB B auszuwählen. Danach können Sie für das Wiedergeben von Musik einen USB-Stick einstecken.

Wichtig: Der USB-Port ist nur für eine Datenübertragung bestimmt. Andere Geräte können mit diesem USB-Port nicht verwendet werden. Die Verwendung von USB-Verlängerungskabeln ist nicht empfehlenswert.

ZEITANZEIGE

Im USB-Modus kann entweder die bereits verstrichene oder die noch übrige Zeit angezeigt werden. Durch langes Drücken der Wiedergabe-/Pausetaste können Sie das Aufwärts- bzw. Abwärtszählen der Zeit auswählen.

AUFLADEN DER BATTERIE

1. Im Batteriemodus steht die Funktion Standby nicht zur Verfügung.
2. Auf der Bedieneinheit leuchtet die Lade-LED. Bei genügend hoher Batterieladung leuchtet diese LED grün.
Bei geringer Batterieladung wird auf der Anzeige „LOW POWER“ (Batterie schwach) angezeigt und die Lade-LED leuchtet rot.

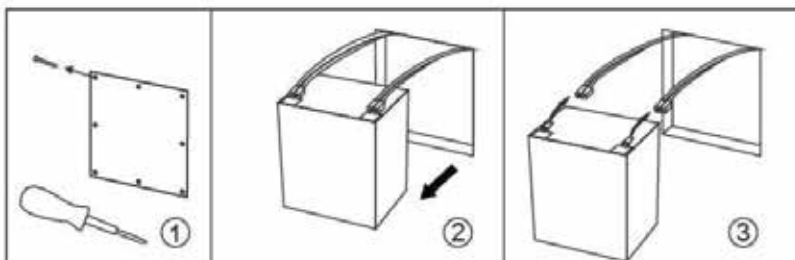
UM DIE LEBENSDAUER DER INTERNEN BATTERIE ZU SCHÜTZEN:

Wenn die Batterie leer ist, dann schalten Sie den Ein/Aus-Schalter auf der Geräterückseite umgehend auf die Position OFF, um die Lebensdauer der internen Batterie zu schützen oder auf AC, um sie erneut zu laden.

Wichtig: Der Lieferant übernimmt keine Verantwortung für Schäden, die durch unsachgemäße Nutzung des Geräts entstehen. Weiterhin wird die Batterie nicht von der Garantie abgedeckt.

HERAUSNAHME DER BATTERIE

1. Drehen Sie die Schrauben in der Rückenabdeckung heraus.
2. Nehmen Sie die Batterie heraus.
3. Klemmen Sie die Batterie ab.



ZUBEHÖR

| | |
|---------------------|-----|
| Fernbedienung | 1 x |
| Bedienungsanleitung | 1 x |
| Funkmikrofon | 1 x |
| Netzkabel | 1 x |

TECHNISCHE DATEN

| | |
|-----------------------------------|---------------------------------------|
| Frequenzbereich | 20 Hz – 20 kHz |
| Stromquelle | 230 V~/50 Hz/12 V DC |
| Max. Leistungsaufnahme | 120 W |
| Batterie | Bleiakku 12 V DC/4,5 Ah |
| Wiedergabezeit im Batteriebetrieb | Bis zu 10 Stunden bei 50 % Lautstärke |
| Ausgangsleistung | 250 W (RMS) |
| Mikrofon | Kabellos, 864 MHz |
| Bluetooth | V4.2 |
| UKW-Radio | 87,5 – 108 MHz |
| Geräteabmessung (B x T x H) | 32 x 33,7 x 98 mm |
| Abmessung Hochtonlautsprecher | 2 x 1" |
| Abmessung Tieftonlautsprecher | 1 x 3" |
| Abmessung Tiefbasslautsprecher | 2 x 10" |
| Gerätgewicht | 21 kg |
| Betriebstemperatur | 10 – 40 °C |

- Diese Angaben dienen lediglich als Richtwerte. Die Gewichts- und Größenangaben sind Näherungswerte.
- Unser Produkt wird permanent weiterentwickelt und unterliegt bezüglich Spezifikationen und Funktionen stillschweigenden Änderungen.

Dieses Produkt arbeitet im Frequenzbereich von 2400 bis 2483,5 MHz und darf nur in einer normalen häuslichen Umgebung verwendet werden. Es ist für die Verwendung in allen EU-Ländern geeignet.

Bitte beachten (für die Benutzung des kabellosen Mikrofons)

Dieses Produkt arbeitet im Frequenzbereich von **864 MHz** und darf nur in einer normalen häuslichen Umgebung verwendet werden. Dieses Produkt ist mit seinem Verwendungszweck für eine Verwendung innerhalb der meisten EU-Länder geeignet.

Der Benutzer hat die Frequenzen für den Ort auf Zulässigkeit zu überprüfen, in dem er das Gerät verwenden möchte.

(Weiter Informationen finden Sie auf: <https://www.apwpt.org>)

Der Benutzer ist für die Verwendung des Produkts eigenverantwortlich. Lenco kann im Falle einer anderen als die in dieser Bedienungsanleitung beschriebene Nutzung des Geräts nicht haftbar gemacht werden.

Garantie

Lenco bietet Leistungen und Garantien im Einklang mit Europäischem Recht. Im Falle von Reparaturen (sowohl während als auch nach Ablauf der Garantiezeit) sollten Sie deshalb Ihren Einzelhändler kontaktieren.

Wichtiger Hinweis: Es ist **nicht** möglich, Geräte für Reparaturen direkt an Lenco zu schicken.

Wichtiger Hinweis: Falls dieses Gerät von einem nicht autorisierten Kundendienst geöffnet oder darauf zugegriffen wird, erlischt die Garantie.

Dieses Gerät ist nicht für professionelle Zwecke geeignet. Falls das Gerät für professionelle Zwecke eingesetzt wird, erlöschen alle Garantieverpflichtungen seitens des Herstellers.

Haftungsausschluss

Aktualisierungen der Firmware und/oder Hardware-Komponenten werden regelmäßig durchgeführt. Daher können einige der Anweisungen, Spezifikationen und Abbildungen in dieser Dokumentation von Ihrer individuellen Situation abweichen. Alle in diesem Handbuch beschriebenen Elemente dienen nur zur Illustration und treffen auf Ihre individuelle Situation möglicherweise nicht zu. Aus der in diesem Handbuch getätigten Beschreibung können keine Rechtsansprüche oder Leistungsanforderungen geltend gemacht werden.

Entsorgung des Altgeräts



Dieses Symbol zeigt an, dass das entsprechende Produkt oder dessen Batterie in Europa nicht mit dem normalen Hausmüll entsorgt werden darf. Um die ordnungsgemäße Abfallbehandlung des Produkts und dessen Batterie zu gewährleisten, müssen diese im Einklang mit allen anwendbaren örtlichen Vorschriften zur Entsorgung von Elektrogeräten und Batterien entsorgt werden. Dabei helfen Sie, natürliche Ressourcen zu schonen und Umweltschutzstandards zur Verwertung und Entsorgung von Altgeräten aufrecht zu halten (Waste Electrical and Electronic Equipment Directive).

Service

Besuchen Sie bitte für weitere Informationen und unseren Kundendienst unsere Homepage www.lenco.com

Lenco Benelux BV, Thermiekstraat 1a, 6361 HB Nuth, The Netherlands.

ATTENTION :

L'utilisation de commandes ou de réglages ou l'exécution de procédures autres que ceux spécifiés dans ce manuel peut entraîner une exposition à des rayonnements dangereux.

Cet appareil ne doit pas être réglé ou réparé par quiconque d'autre que du personnel qualifié.

PRÉCAUTIONS AVANT UTILISATION

GARDEZ CES INSTRUCTIONS À L'ESPRIT :

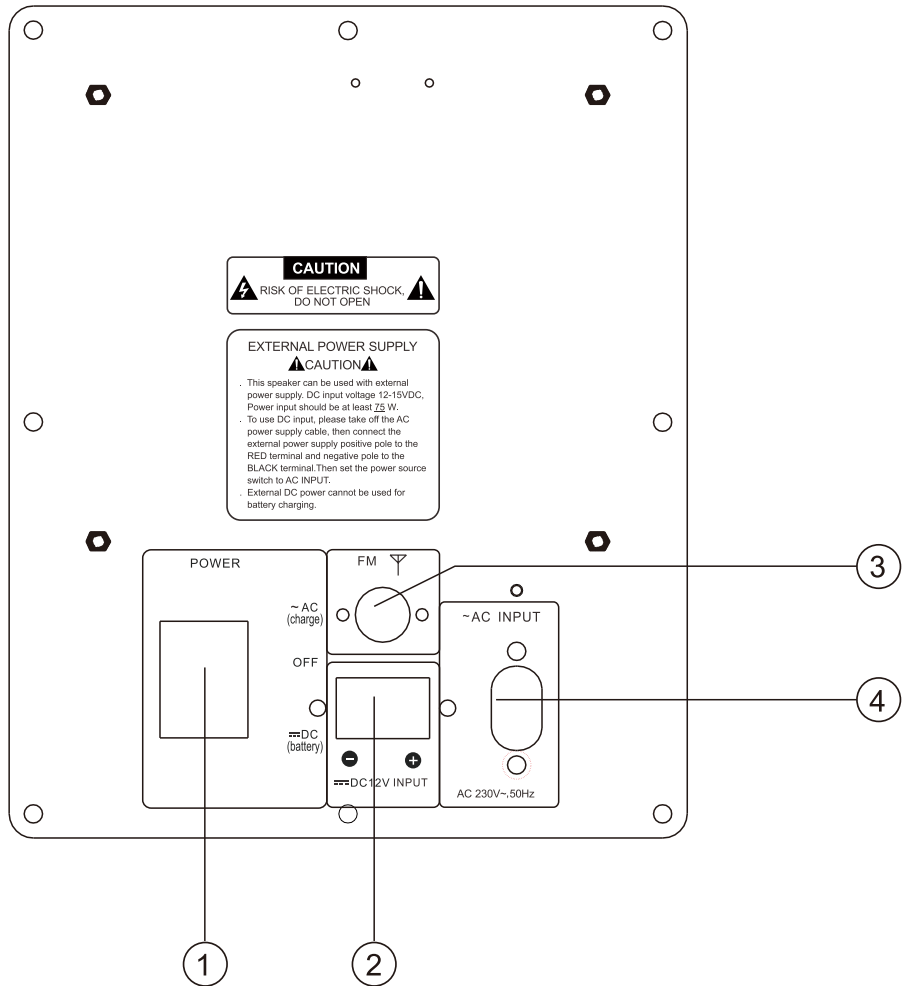
1. N'utilisez pas cet appareil près de l'eau.
2. Nettoyez-le uniquement avec un chiffon doux légèrement humide.
3. Ne couvrez pas et n'obturez pas les ouvertures de ventilation. Lorsque vous placez l'appareil sur une étagère, laissez 5 cm (2") d'espace libre tout autour de l'appareil.
4. Installez-le conformément au mode d'emploi fourni.
5. Ne marchez pas sur l'adaptateur secteur ou ne le coincez pas. Faites très attention, en particulier près des fiches et du point de sortie du câble. Ne placez pas d'objets lourds sur l'adaptateur secteur, car ils pourraient l'endommager. Gardez l'appareil hors de portée des enfants ! Ils pourraient se blesser gravement s'ils jouent avec le câble d'alimentation.
6. Débranchez cet appareil pendant les orages ou lorsqu'il n'est pas utilisé pendant une longue durée.
7. Gardez l'appareil à l'écart des sources de chaleur comme les radiateurs, chauffages, fours, bougies et autres produits générant de la chaleur.
8. Évitez d'utiliser l'appareil à proximité de champs magnétiques puissants.
9. Des décharges électrostatiques peuvent perturber le fonctionnement normal de cet appareil. Quand cela se passe, il suffit de réinitialiser et de redémarrer l'appareil en suivant le manuel d'instructions. Pendant le transfert du fichier, manipulez l'appareil avec précaution et faites-le fonctionner dans un environnement sans électricité statique.
10. Mise en garde ! N'introduisez jamais un objet dans l'appareil par les ouvertures et les fentes de ventilation. Étant donné que des tensions élevées sont présentes à l'intérieur du produit, l'insertion d'un objet peut entraîner une électrocution et/ou court-circuiter les composants internes. Pour les mêmes raisons, ne versez pas de l'eau ou un liquide sur le produit.
11. Ne l'utilisez pas dans des endroits humides tels qu'une salle de bain, une cuisine pleine de vapeur ou à proximité d'une piscine.
12. N'utilisez pas cet appareil lorsque de la condensation est possible.
13. Bien que ce dispositif soit fabriqué avec le plus grand soin et contrôlé à plusieurs reprises avant de quitter l'usine, il est toujours possible que des problèmes se produisent, comme avec tous les appareils électriques. Si l'appareil émet de la fumée, une accumulation de chaleur excessive ou un phénomène inattendu, débranchez immédiatement la fiche d'alimentation du secteur.
14. Une ventilation suffisante de l'appareil doit être toujours assurée !
15. Cet appareil doit fonctionner avec la source d'alimentation indiquée sur la plaque signalétique. Si vous n'êtes pas sûr du type d'alimentation utilisé chez vous, consultez votre revendeur ou le fournisseur d'électricité local.
16. La prise secteur doit être installée près de l'appareil et doit être facilement accessible.
17. Ne surchargez pas les prises de courant ou les rallonges. Une surcharge peut entraîner un incendie ou une électrocution.
18. Les appareils à la norme de construction de classe 1 doivent être branchés à une prise de courant disposant d'une connexion protectrice à la terre.
19. Les appareils à la norme de construction de classe 2 ne nécessitent pas de connexion à la terre.
20. Tenez-le à l'abri des rongeurs. Les rongeurs adorent mordre les cordons d'alimentation.
21. Tirez toujours sur la fiche pour débrancher le cordon de la prise secteur. Ne tirez pas sur le cordon d'alimentation. Cela pourrait provoquer un court-circuit.
22. Évitez de placer l'appareil sur des surfaces sujettes aux vibrations ou aux chocs.
23. Pour protéger l'appareil en cas d'orage, débranchez le cordon d'alimentation secteur.
24. Si l'appareil n'est pas utilisé pendant une période prolongée, débranchez l'adaptateur du secteur pour des raisons de sécurité.

25. Pour nettoyer l'appareil, servez-vous d'un chiffon doux et sec. N'utilisez pas de solvant ni d'autre liquide à base de pétrole. Pour enlever les taches importantes, vous pouvez vous servir d'un chiffon humide imbibé d'une solution de détergent diluée.
26. Le fournisseur n'est pas responsable des dommages ou pertes de données causés par un dysfonctionnement, une utilisation abusive, une modification de l'appareil ou un remplacement des piles.
27. N'interrompez pas la connexion lorsque l'appareil formate ou transfère des fichiers. Sinon, les données pourraient être endommagées ou perdues.
28. La clé USB doit être branchée directement sur l'appareil. N'utilisez pas un câble d'extension USB, car cela peut causer des interférences entraînant des pertes de données.
29. L'appareil ne doit pas être exposé à des écoulements ou des éclaboussures et aucun objet contenant un liquide, tel qu'un vase, ne doit être posé sur ou près de l'appareil.
30. Pour que l'alimentation soit parfaitement déconnectée, la fiche d'alimentation de l'appareil doit être débranchée de la prise secteur.
31. La fiche de l'appareil ne doit pas être obstruée ou doit être facilement accessible pendant l'utilisation.
32. Les batterie ne doit pas être exposée à une chaleur excessive telle que la lumière du soleil, des flammes, etc.
33. Laissez un espace de 10 cm tout autour de l'appareil pour assurer une ventilation suffisante.
34. L'aération ne doit pas être bloquée en obstruant les orifices d'aération avec des objets tels que des journaux, des nappes, des rideaux, etc.
35. Ne posez pas de source de flamme nue, telle qu'une bougie allumée, sur l'appareil.
36. Veuillez considérer les questions environnementales lors de la mise au rebut des piles.
37. L'appareil doit être utilisé uniquement sous des conditions climatiques modérées, évitez un environnement extrêmement froid ou chaud.
38. La plaque signalétique se situe sous l'appareil.
39. Cet appareil n'est pas destiné à être utilisé par des personnes (enfants compris) souffrant de handicaps physiques, sensoriels ou mentaux, ou manquant d'expérience et de connaissances, sauf si elles sont sous surveillance ou ont reçu des instructions sur l'utilisation correcte de l'appareil par la personne qui est responsable de leur sécurité.
40. Cet appareil est réservé à un usage privé, et non pas à un usage commercial ni industriel.
41. Vérifiez que l'appareil est en position stable. La garantie ne couvre pas les dégâts occasionnés par l'utilisation de cet appareil en position instable ou par la non-observation de tout autre avertissement ou précaution contenus dans ce mode d'emploi.
42. Ne retirez jamais le boîtier de l'appareil.
43. Ne placez jamais cet appareil sur un autre appareil électrique.
44. N'utilisez et ne rangez pas ce produit au soleil, à la chaleur, à la poussière ou à des vibrations excessives.
45. N'utilisez pas d'eau ou d'autres liquides pour nettoyer ce produit.
46. Ne bloquez ni ne recouvrez les fentes et orifices de ce produit.
47. N'insérez pas de corps étrangers dans les fentes ni dans les trous du produit.
48. Ne laissez pas les sacs en plastique à la portée des enfants.
49. Vérifiez que la tension figurant sur la plaque signalétique de votre appareil correspond à celle de votre secteur (la plaque signalétique se situe à l'arrière de l'appareil).
50. Protégez le cordon d'alimentation (personne ne doit marcher dessus et il ne doit pas être pincé en particulier au niveau des prises), les prises de courant et le point où les prises sortent de l'appareil.
51. Utilisez uniquement les accessoires recommandés par le fabricant.
52. Confiez l'entretien et les réparations à un personnel qualifié. Une réparation est nécessaire lorsque l'appareil a été endommagé d'une quelconque façon telle qu'un cordon d'alimentation ou une prise endommagés, lorsqu'un liquide a été renversé ou des objets ont été introduits dans l'appareil, lorsque l'appareil a été exposé à la pluie ou à l'humidité, lorsqu'il ne fonctionne pas correctement ou lorsque l'appareil est tombé.
53. N'utilisez pas un cordon ou une fiche d'alimentation endommagé ni une prise desserrée. Vous risqueriez de causer un incendie ou une décharge électrique.

Une exposition prolongée aux sons puissants des lecteurs personnels de musique peut entraîner une perte temporaire ou permanente de l'ouïe.

INSTALLATION

- Déballez toutes les pièces et enlevez le matériau de protection.
- Ne connectez pas l'unité au secteur avant d'avoir vérifié la tension du secteur et avant que toutes les autres connexions n'aient été effectuées.
- Ne couvrez pas les orifices de ventilation et assurez-vous qu'un espace de plusieurs centimètres est présent autour de l'appareil aux fins de l'aération.



1. Interrupteur marche/arrêt

Pour basculer entre les modes ENTRÉE CC, ENTRÉE CA ou DÉSACTIVÉ.

Quand l'enceinte est réglée sur CA, elle fonctionne sur 230 V et la batterie se chargera.

Quand l'appareil est réglé sur OFF, il est hors tension et la batterie ne se charge pas.

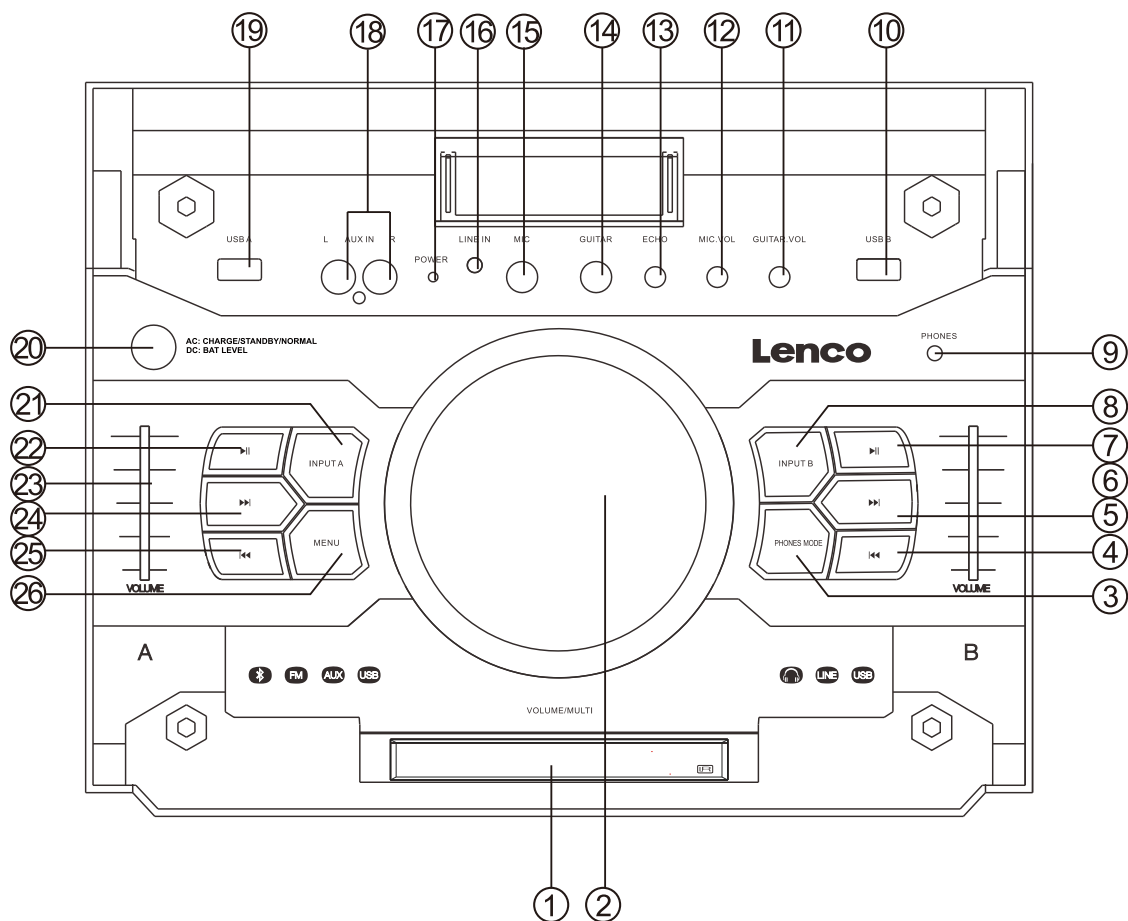
Quand il est réglé sur CC, l'enceinte est alimentée par batterie.

2. ENTRÉE CC 12 V

L'enceinte peut être raccordée à la batterie de 12 V CC d'une voiture.

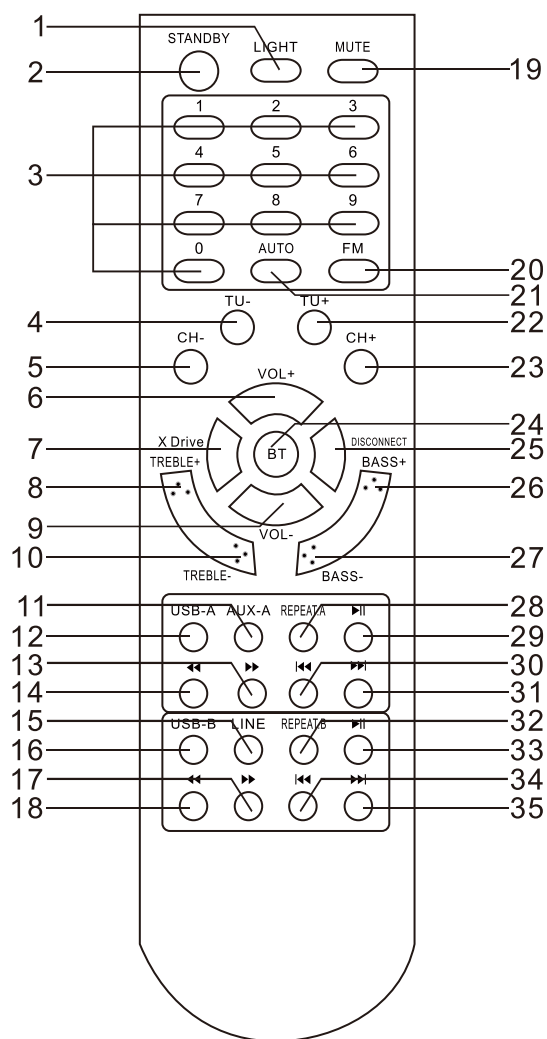
3. ANTENNE FM

4. ENTRÉE CA : CA 230 V~, 50 Hz

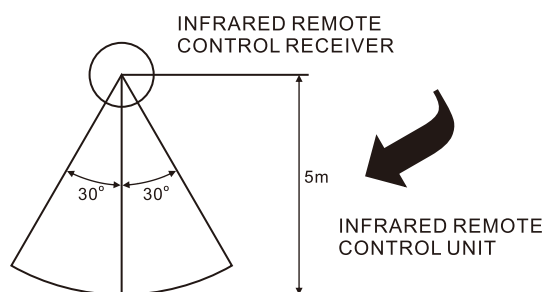


1. **ÉCRAN LED**
 Pour afficher les informations de paramètres du système, le côté gauche de l'écran indique l'état de ENTRÉE A, tandis que le côté droit de l'écran indique l'état de ENTRÉE B.
2. **VOLUME/MULTI/EFFET DJ**
 Pivotez la molette pour régler le volume principal, le volume des écouteurs, les aiguës et les basses. Appuyez brièvement sur cette touche pour choisir différents effets de musique : SCRATCH, REVERB, BEAT BOX, YEAH, BRING IT, GEYA, COME ON. Appuyez longtemps pour lire l'effet DRUMS (batterie).
3. **MODE ÉCOUTEURS**
 Appuyez sur cette touche pour choisir parmi les différents modes ÉCOUTEURS, ENTRÉE A, ENTRÉE B et ENTRÉE AB.
4. **PRÉC ENTRÉE B**
 Appuyez sur cette touche pour choisir la piste musicale précédente avec USB B.
5. **SUIV ENTRÉE B**
 Appuyez sur cette touche pour choisir la piste musicale suivante avec USB B.
6. **ENTRÉE B**
 Cela sert à régler le volume avec ENTRÉE B.
7. **LECTURE/PAUSE ENTRÉE B**
 Appuyez sur cette touche pour choisir la lecture/mise en pause de la piste musicale suivante avec ENTRÉE B.
 En lisant une clé USB, appuyez longtemps sur cette touche pour basculer entre compte à rebours et compte positif et de durée de lecture.

8. **MODE ENTRÉE B**
Appuyez sur cette touche pour choisir un autre mode ENTRÉE B, LINE et USB B.
9. **PRISE D'ENTRÉE D'ÉCOUTEURS**
10. **Prise d'entrée USB B**
11. **VOLUME DE LA GUITARE**
Pour régler le volume de la GUITARE.
12. **VOLUME DU MICROPHONE**
Pour régler le volume du MICROPHONE.
13. **ÉCHO**
Pour régler l'ÉCHO de l'entrée MIC (micro).
14. **Prise GUITARE**
15. **Prise MICRO**
16. **PRISE D'ENTRÉE AUDIO D'ENTRÉE DE LIGNE**
Pour connecter une prise d'entrée de signal LINE IN (entrée de ligne).
17. **Témoin lumineux d'ALIMENTATION DC**
18. **PRISE D'ENTRÉE AUDIO AUX**
Pour connecter une prise d'entrée de signal AUX.
19. **Prise d'entrée USB A**
20. **Sur AC: CHARGE/VEILLE/NORMAL**
Appuyez longuement sur cette touche pour mettre l'appareil en marche ou en veille. Appuyez brièvement sur cette touche pour mettre l'appareil en mode CHARGE, VEILLE ou NORMAL.
Sur DC: NIVEAU DE BATTERIE
Appuyez sur cette touche pour afficher le niveau de batterie actuel.
21. **MODE D'ENTRÉE A**
Appuyez sur cette touche pour choisir parmi les différents modes ENTRÉE A : AUX A, BT A, FM et USB A.
22. **LECTURE/PAUSE ENTRÉE A**
Appuyez sur cette touche pour choisir la lecture/mise en pause avec ENTRÉE A.
En lisant une clé USB, appuyez longuement sur cette touche pour basculer entre compte à rebours et compte positif et de durée de lecture.
23. **VOLUME D'ENTRÉE A**
Cela sert à régler le volume de ENTRÉE A.
24. **SUIV ENTRÉE A**
Appuyez sur cette touche pour choisir la piste musicale suivante avec USB A.
25. **PRÉC ENTRÉE A**
Appuyez sur cette touche pour choisir la piste musicale précédente avec ENTRÉE USB A.
26. **MENU**
Cet interrupteur permet de sélectionner les modes volume principal, basses, aiguës, X Drive et lumière.



1. LUMIÈRE
2. MISE EN VEILLE
3. PAVÉ NUMÉRIQUE
4. RÉGLAGE-
5. CHAÎNE-
6. VOLUME+
7. X DRIVE
8. AIGUËS+
9. VOLUME-
10. AIGUËS-
11. AUX-A
12. USB-A
13. USB-A AVANCER
14. USB-A RECULER
15. LIGNE
16. USB-B
17. USB-B AVANCER
18. USB-B RECULER
19. MUET
20. FM
21. AUTO
22. RÉGLAGE+
23. CHAÎNE+
24. BT
25. DÉCONNECTER
26. BASSES+
27. BASSES-
28. ENTRÉE-A RÉPÉTER
29. ENTRÉE-A PAUSE
30. ENTRÉE-A PRÉCÉDENT
31. ENTRÉE-A SUIVANT
32. ENTRÉE-B RÉPÉTER
33. ENTRÉE-B PAUSE
34. ENTRÉE-B PRÉCÉDENT
35. ENTRÉE-B SUIVANT



| |
|-----------------------------------------|
| EN |
| INFRARED REMOTE CONTROL RECEIVER |
| 5m |
| INFRARED REMOTE CONTROL UNIT |
| FR |
| RÉCEPTEUR DE LA TÉLÉCOMMANDE INFRAROUGE |
| 5m |
| TÉLÉCOMMANDE INFRAROUGE |

FONCTIONNEMENT DE LA TÉLÉCOMMANDE :

- Si la télécommande entre en conflit avec d'autres appareils, cela altèrera son fonctionnement.
- N'appuyez pas simultanément sur des boutons sur l'appareil et la télécommande.
- Évitez d'utiliser deux télécommandes en même temps, car cela causerait un dysfonctionnement.
- Utilisez uniquement des piles UM-4 de taille « AAA ». Ne mélangez pas les batteries anciennes et neuves.
- Si les batteries fuient, nettoyez soigneusement la télécommande avant de changer les piles.
- Ne court-circuitez pas deux bornes des piles. Mettez au rebut les piles usagées dans un endroit approprié.

FONCTIONNEMENT NORMAL

1. Avec l'interrupteur marche/arrêt à l'arrière de l'enceinte, sélectionnez le mode CA ou DC CC.
2. Sélectionnez une source audio en appuyant sur la touche ENTRÉE A en façade pour afficher AUX A, BT A, FM, USB A. Appuyez sur la touche INPUT B en façade pour afficher LINE (ligne), USB B.

Quand l'appareil est en mode AC:

- Un premier appui sur le bouton veille active le mode de charge, en affichant l'état de charge de la batterie sur l'écran LED bleu.
- Une deuxième appui sur le bouton veille active l'enceinte et allume le voyant de charge vert.
- Vous pouvez également sélectionner le mode veille sans charger la batterie.

Quand l'appareil est en mode DC:

- Un appui sur le bouton veille affiche le niveau de la batterie sur l'écran LED bleu.
3. Tournez la molette VOLUME/MULTI/DJ EFFECT en façade ou appuyez sur la touche VOL+/- de la télécommande pour régler le volume principal. Ensuite, réglez le curseur du volume de ENTRÉE A et utilisez le curseur du volume droit pour changer le volume de ENTRÉE B.
 4. Pour régler les basses, les aiguës, X-Drive, les lumières de l'enceinte et le volume principal, appuyez sur la touche menu pour sélectionner basses, aiguës, X-Drive et lumières de l'enceinte, puis pivotez la grande molette VOLUME/MULTI/DJ EFFECT.
 5. Sélection de la SORTIE ÉCOUTEURS. Appuyez sur le bouton PHONES MODE en façade pour afficher ENTRÉE A, ENTRÉE B ou ENTRÉE AB et réglez le volume de A, B ou AB en pivotant la molette MULTI DJ EFFECT.
 6. Appuyez sur la touche LIGHT de la télécommande ou appuyez sur le bouton MENU en façade jusqu'à ce que Speaker Light Mode (mode lumière de l'enceinte) s'affiche, puis pivotez la molette VOLUME/MULTI/DJ EFFECT pour sélectionner les modes de lumière OFF (désactivé), R, G, B, RG, RB, GB, RGB, AUTO ou DEMO.
 7. Appuyez sur la touche MUTE de la télécommande pour mettre le son en sourdine, appuyez dessus pour réinitialiser.
 8. Appuyez sur la touche X DRIVE de la télécommande pour activer/désactiver l'effet X-Bass.

OPTIONS DE COMMANDE DE COULEUR DE LUMIÈRE DE L'ENCEINTE

- R = lumières rouges clignotantes
- G = lumières vertes clignotantes
- B = lumières bleues clignotantes
- RG = lumières rouges et vertes clignotantes RB = lumières rouges et bleues clignotantes GB = lumières vertes et bleues clignotantes
- RGB = lumières rouges, vertes et bleues clignotantes
- Auto = les diverses combinaisons lumineuses alternent et clignent.
- Demo = les lumières clignent et changent de couleur comme si elles répondaient au rythme de la musique.

APPLICATIONS DU SYTONISEUR

1. Avant d'utiliser les fonctions de la radio, vous devez régler l'antenne pour optimiser la réception. Appuyez sur la touche ENTRÉE A en façade ou sur la touche FM de la télécommande pour sélectionner la fonction « FM ».
2. Appuyez sur la touche AUTO de la télécommande ou le bouton Lecture du panneau de commande de ENTRÉE A.
La machine recherchera les stations de radio par fréquence croissante automatiquement et mémorisera les stations trouvées une par une.
3. Appuyez sur la touche CH+/CH- de la télécommande pour modifier les présélections de radio mémorisées au préalable.
4. Maintenez enfoncée la touche TU+/TU- de la télécommande pour régler manuellement la fréquence radio.
5. Pour sélectionner les stations de radio à partir du panneau de commande, maintenez enfoncés les boutons suiv/préc.

FONCTIONS KARAOKÉ ET GUITARE

1. L'appareil peut détecter automatiquement si un MICROPHONE ou une GUITARE sont raccordés. Désactivez le volume du microphone avec la molette MIC.VOL en façade et réglez le volume progressivement après avoir branché le microphone. Remarque : Le PMX-300 est fourni avec un microphone sans fil utilisant 2 piles AA (non incluses). Quand le bouton est sur « ON », vous pouvez parler dedans et régler le volume et l'écho sur le panneau de commande.
2. Réglez la molette ECHO en façade pour modifier l'ÉCHO du microphone.
3. Réglez la molette GUITAR VOL en façade pour modifier le VOLUME de la guitare.

Remarque : Ne touchez pas le dessus du microphone en chantant afin d'éviter un effet d'hurllement. Réglez progressivement le volume du microphone afin d'éviter un effet d'hurllement.

APPARIEMENT ET CONNEXION PAR BLUETOOTH

- Éteignez tous les appareils Bluetooth précédemment appariés (associés) à cet appareil.
- Activez la fonction Bluetooth sur votre téléphone ou votre lecteur audio.
- Mettez en marche cet appareil et réglez-le en mode Bluetooth. Le voyant bleu clignotant « BT » sur l'écran LED indique que l'appareil est en mode d'appariement.
- Recherchez les appareils Bluetooth avec votre téléphone ou lecteur audio.
- Sélectionnez « PMX-300 » dans les résultats de recherche sur votre téléphone ou lecteur audio.
- Sélectionnez OK ou YES (oui) pour appairier cet appareil avec votre téléphone ou lecteur audio.
- Si un mot de passe est demandé, saisissez 0000, puis la connexion sera établie si le voyant bleu reste allumé.
- Appuyez sur la touche « DISCONNECT » sur la télécommande pour désactiver la fonction Bluetooth.

UTILISATION D'UNE CLÉ USB

Interface USB

Cet appareil a deux prises USB. Appuyez sur la touche ENTRÉE A pour sélectionner USB A, puis vous pouvez insérer une clé USB pour lire de la musique. Appuyez sur la touche ENTRÉE B pour sélectionner USB B, puis vous pouvez insérer une autre clé USB pour lire de la musique.

Important : Le port USB est conçu uniquement pour transférer des données, d'autres appareils ne peuvent pas être utilisés avec cette connexion USB. Il est déconseillé d'utiliser des rallonges USB.

AFFICHAGE DE L'HEURE

En mode USB, l'écran peut afficher la durée écoulée ou restante.

En appuyant longuement sur la touche lecture/pause, vous pouvez sélectionner l'affichage négatif ou positif de la durée.

CHARGE DE LA BATTERIE

1. Quand l'appareil est en alimenté par batterie, la commande de veille est indisponible.
2. Le panneau de commande a un voyant de charge. Quand la batterie est suffisamment chargée, le voyant vert est allumé.

Quand la batterie est faible, le système affiche le message « LOW POWER » (batterie faible) et le voyant rouge est allumé.

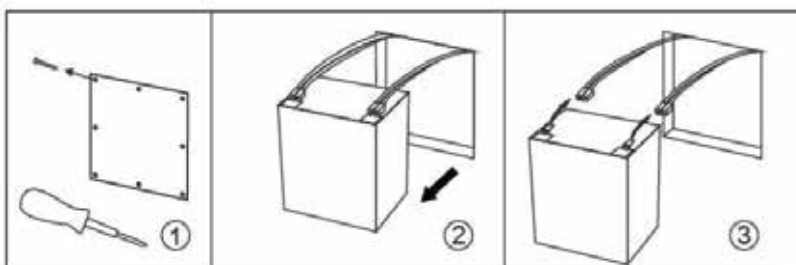
POUR ALLONGER LA DURÉE DE VIE DE LA BATTERIE INTERNE :

Quand la batterie est vide, réglez immédiatement le bouton POWER à l'arrière en position OFF afin d'allonger la durée de vie de la batterie interne ou sur AC pour la recharger.

Important : Le fournisseur n'est pas responsable quant à des dommages dus à une mauvaise utilisation de l'appareil et la batterie ne sera pas couverte par la garantie.

DÉMONTAGE DE LA BATTERIE

1. Enlevez les vis sur le panneau arrière.
2. Sortez la batterie.
3. Déconnectez la batterie.



| | | ACCESSOIRES |
|--------------------------------------|--|----------------------------|
| Télécommande | | 1 pc |
| Mode d'emploi | | 1 pc |
| Microphone sans fil | | 1 pc |
| Câbles d'alimentation CA | | 1 pc |
| | | CARACTÉRISTIQUES |
| Réponse en fréquence | | 20 Hz à 20 kHz |
| Source d'alimentation | | 230V ~ 50Hz/12VCC |
| Puissance consommée Max. | | 120W |
| Batterie | | Plomb/acide 12 VCC, 4,5 Ah |
| Autonomie en lecture CC | | ~10 h à 50 % du volume |
| Sortie d'alimentation | | 250W (RMS) |
| Microphone | | 864 MHz sans fil |
| Bluetooth | | V4.2 |
| Radio FM | | 87,5 à 108 MHz |
| Dimensions de l'appareil (L X P X H) | | 32 x 33,7 x 98 mm |
| Taille du haut-parleur d'aiguës | | 2 x 1 pouces |
| Taille du haut-parleur | | 1 x 3 pouces |
| Taille du caisson de basses | | 2 x 10 pouces |
| Poids de l'appareil | | 21 kg |
| Température de fonctionnement | | 10 à 40 °C |

- Les caractéristiques sont indiquées uniquement à titre indicatif. Les valeurs de poids et de taille sont des approximations.
- Étant donné que nous améliorons constamment nos produits, leurs caractéristiques et fonctions peuvent changer sans préavis.

Ce produit fonctionne de 2 400 à 2 483,5 MHz et est destiné uniquement à être utilisé dans un environnement domestique normal. Ce produit convient à cet usage pour tous les pays de l'UE.

Remarque (Concernant l'utilisation du microphone sans fil)

Ce produit fonctionne à une fréquence de **864** MHz et il est conçu pour être utilisé uniquement au sein d'un environnement privé normal. Ce produit convient à cette fin dans la plupart des pays de l'UE.

L'utilisateur doit vérifier les fréquences permises du pays où l'appareil sera utilisé.

(Pour en savoir plus, visitez : <https://www.apwpt.org>)

L'utilisateur est responsable de l'utilisation de cet appareil. La société Lenco ne peut être pas tenue pour responsable si cet appareil est utilisé à d'autres fins que celles décrites dans ce mode d'emploi.

Garantie

Lenco propose un service et une garantie conformément à la législation européenne, ce qui signifie qu'en cas de besoin de réparation (aussi bien pendant et après la période de garantie), vous pouvez contacter votre revendeur le plus proche.

Remarque importante : Il n'est **pas** possible de renvoyer l'appareil pour réparation directement à Lenco.

Remarque importante : Si l'unité est ouverte ou modifiée de quelque manière que ce soit par un réparateur non agréé, la garantie serait caduque.

Cet appareil ne convient pas à une utilisation professionnelle. En cas d'utilisation professionnelle, les obligations de garantie du fabricant seront annulées.

Clause de non-responsabilité

Des mises à jour du logiciel et/ou des composants informatiques sont régulièrement effectuées. Il se peut donc que certaines instructions, caractéristiques et images présentes dans ce document diffèrent légèrement de votre configuration spécifique. Tous les articles décrits dans ce guide sont fournis uniquement à des fins d'illustration et peuvent ne pas s'appliquer à une configuration spécifique. Aucun droit légal ne peut être obtenu depuis les informations contenues dans ce manuel.

Mise au rebut de l'appareil usagé



Ce symbole indique que le produit électrique concerné ou la batterie ne doivent pas être jetés parmi les autres déchets ménagers en Europe. Pour garantir un traitement correct du déchet de la batterie ou de l'appareil, veuillez les mettre au rebut conformément aux règlements locaux en vigueur relatifs aux appareils électriques et autres batteries. En agissant de la sorte, vous contribuerez à la préservation des ressources naturelles et à l'amélioration des niveaux de protection environnementale concernant le traitement et la destruction des déchets électriques (directive sur les déchets des équipements électriques et électroniques).

Service après-vente

Pour en savoir plus et obtenir de l'assistance, visitez www.lenco.com

Lenco Benelux BV, Thermiekstraat 1a, 6361 HB, Nuth, Pays-Bas

¡PRECAUCIÓN!

El uso de los controles o ajustes o el funcionamiento de los procedimientos excepto a aquellos especificados aquí pueden provocar una exposición peligrosa a la radiación.

Esta unidad no debe ajustarse o repararse por ninguna persona salvo personal de servicio cualificado.

PRECAUCIONES PREVIAS AL USO**TENGA ESTAS INSTRUCCIONES EN MENTE:**

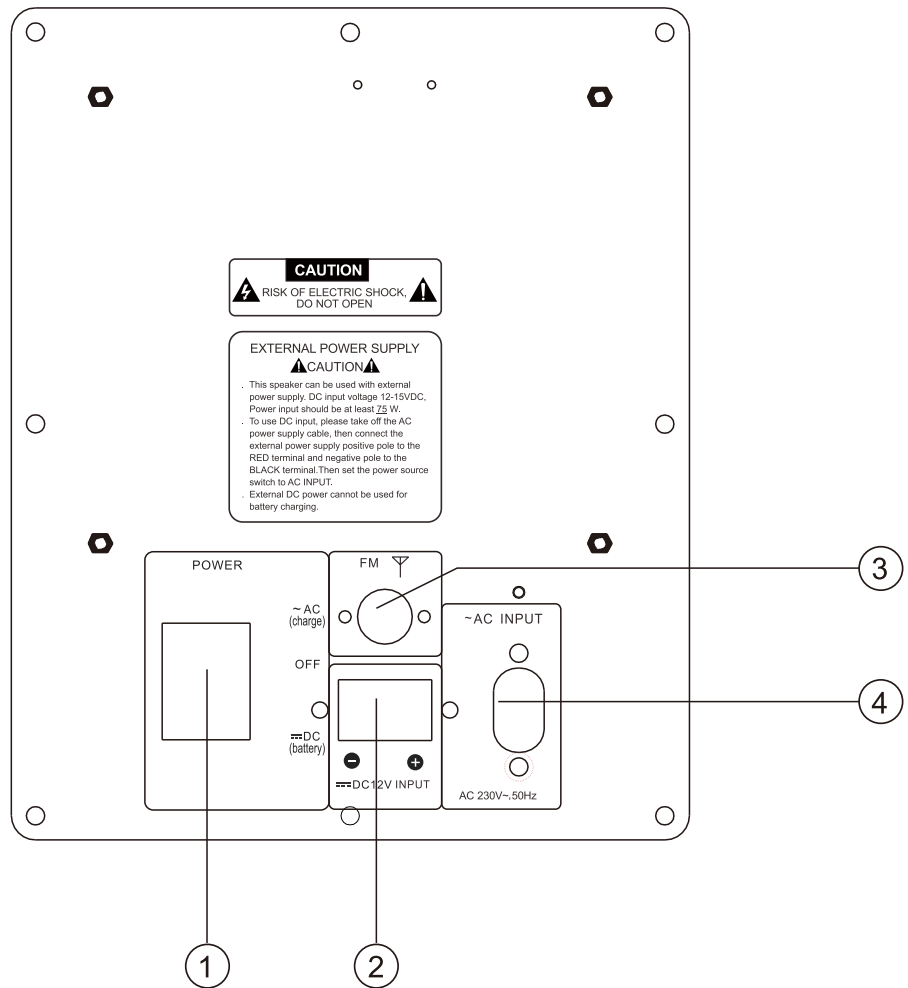
1. No use este dispositivo cerca del agua.
2. Límpielo únicamente con un paño ligeramente humedecido.
3. No cubra o bloquee ninguna apertura de ventilación. Cuando coloque el dispositivo en una estantería, deje 5 cm (2") de espacio libre alrededor de todo el dispositivo.
4. Instálelo conforme al manual de usuario que se adjunta.
5. No pise o pince el adaptador de alimentación. Tenga mucho cuidado, en especial cerca de las tomas y el punto de salida del cable. No coloque objetos pesados en el adaptador de alimentación, ya que pueden dañarlo. ¡Mantenga el dispositivo fuera del alcance de los niños! Si juegan con el cable de alimentación, puede sufrir lesiones graves.
6. Desconecte el dispositivo durante tormentas eléctricas o cuando no vaya a usarse durante periodos prolongados de tiempo.
7. Mantenga el dispositivo alejado de fuentes de calor como radiadores, calentadores, hornos, velas u otros productos que generen calor.
8. Evite usar el dispositivo cerca de campos magnéticos fuertes.
9. Una descarga electrostática puede entorpecer el uso normal de este dispositivo. En tal caso, simplemente reinícielo siguiendo el manual de instrucciones. Durante la transmisión de archivos, por favor manéjelo con cuidado opérelo en un entorno libre de electricidad estática.
10. ¡Advertencia! Nunca inserte un objeto en el producto a través de las ventilaciones o aperturas. Alto voltaje fluye a través del producto e insertar un objeto puede provocar una descarga eléctrica y/o un cortocircuito de sus componentes internos. Por el mismo motivo, no derrame agua o líquidos en el producto.
11. No lo utilice en zonas húmedas, como cuartos de baño, cocinas en las que se forme vapor ni cerca de piscinas.
12. No use este dispositivo cuando se pueda producir condensación.
13. Aunque este dispositivo está fabricado con el máximo cuidado y comprobado varias veces antes de salir de fábrica, todavía es posible que se puedan producir problemas, al igual que con todos los aparatos eléctricos. Si observa la aparición de humo, una acumulación excesiva de calor o cualquier otro fenómeno inesperado, deberá desconectar inmediatamente el enchufe de la toma de corriente.
14. ¡El dispositivo debe estar bien ventilado en todo momento!
15. Este dispositivo debe funcionar con una fuente de alimentación que se especifica en la etiqueta de especificaciones. Si no está seguro del tipo de alimentación que se usa en su hogar, consulte con el distribuidor o una compañía eléctrica local.
16. La salida de la toma debe instalarse cerca del equipo y debe ser fácilmente accesible.
17. No sobrecargue las tomas CA o los cables de extensión. La sobrecarga puede provocar un incendio o una descarga eléctrica.
18. Los dispositivos con construcción Clase 1 deben estar conectados a una toma de corriente con una conexión a tierra protegida.
19. Los dispositivos con construcción Clase 2 no requieren una conexión a tierra.
20. Manténgalo alejado de los roedores. Los roedores disfrutan mordiendo cables de alimentación.
21. Sujete siempre el enchufe cuando los extraiga de la toma de corriente. No tire del cable de alimentación. Esto puede provocar un cortocircuito.
22. Evite colocar la unidad sobre superficies sometidas a vibraciones o impactos.
23. Para proteger el dispositivo durante una tormenta eléctrica, desconecte el adaptador de alimentación CA.
24. Cuando no se vaya a usar el dispositivo durante periodos prolongados de tiempo, desconecte el adaptador de alimentación CA por motivos de seguridad.

25. Para limpiar el dispositivo use un paño seco y suave. No utilice líquidos disolventes ni con base de petróleo. Para eliminar manchas difíciles, puede usar un paño húmedo con detergente diluido.
26. El proveedor no asume ninguna responsabilidad por daños o datos perdidos provocados por un funcionamiento incorrecto, uso incorrecto, modificación del dispositivo o sustitución de la batería.
27. No interrumpa la conexión cuando el dispositivo esté formateando o transfiriendo archivos. En caso contrario, los datos se pueden estropear o perder.
28. La memoria USB debe conectarse a la unidad directamente. No utilice cables de extensión USB ya que pueden crear interferencias que causen una pérdida de datos.
29. El aparato no debe exponerse a goteos o salpicaduras y asegúrese de que ningún objeto lleno de líquido, como jarrones, se colocan sobre o cerca del aparato.
30. Para desconectar completamente la entrada de alimentación, el enchufe del aparato deberá desconectarse de la alimentación, ya que el dispositivo de desconexión es el enchufe del aparato.
31. El enchufe de alimentación del aparato no debe estar obstruido o se puede acceder al mismo fácilmente durante su uso previsto.
32. La batería no debe exponerse a un calor excesivo, como la luz solar, fuego o similares.
33. Es necesaria una distancia mínima de 10cm alrededor del aparato para una ventilación suficiente.
34. No debe impedirse la ventilación cubriendo las aperturas con objetos como periódicos, manteles, cortinas, etc.
35. No deben colocarse fuentes de llama, como velas encendidas, sobre este aparato.
36. Se debe prestar atención a los aspectos medioambientales sobre la eliminación de baterías.
37. El aparato solo debe usarse en climas moderados o extremadamente fríos y deben evitarse los entornos calurosos.
38. La placa identificativa está marcada en el panel inferior del aparato.
39. Este aparato no está diseñado para su uso por personas (incluyendo niños) con discapacidades físicas, sensoriales o mentales o con falta de experiencia o conocimientos, salvo que estén bajo la supervisión o hayan recibido formación sobre el uso correcto del dispositivo por parte de una persona responsable de su seguridad.
40. Este producto está destinado únicamente al uso doméstico y no al uso comercial ni al industrial.
41. Asegúrese de que la unidad esté fijada en una posición estable. Los daños provocados por utilizar este producto en una posición inestable o por no seguir cualquier otra advertencia o precaución incluida en este manual de usuario no estarán cubiertos por la garantía.
42. No retire nunca la carcasa de este aparato.
43. Nunca coloque el aparato sobre otro equipo eléctrico.
44. No utilice ni guarde el producto en lugares expuestos a la luz solar directa, a altas temperaturas, a la vibración ni en ambientes excesivamente polvorientos.
45. No limpie el producto con agua ni con otros líquidos.
46. No obstruya ni cubra las ranuras u orificios presentes en el producto.
47. No introduzca objetos extraños en las ranuras u orificios presentes en el producto.
48. Mantenga las bolsas de plástico fuera del alcance de los niños.
49. Compruebe que el voltaje en la placa de características del aparato se corresponde con el suministro eléctrico de su hogar (la placa de características se encuentra en la parte posterior de la unidad).
50. Proteja el cable de alimentación para evitar que lo pisen o aplasten, especialmente en los enchufes, tomas de corriente y el lugar en que sale del aparato.
51. Use únicamente los dispositivos/accesorios especificados por el fabricante.
52. Remita todas las reparaciones al personal cualificado. La reparación es necesaria cuando el aparato presente cualquier tipo de daño, como el cable de alimentación o el enchufe, cuando se haya derramado líquido o hayan caído objetos sobre el aparato, o cuando el aparato se haya visto expuesto a la lluvia o humedad, o no funcione normalmente o se haya caído.
53. No utilice un cable de alimentación o enchufe deteriorado o una toma suelta. Si lo hace, podría provocar un incendio o una descarga eléctrica.

Advertencia: La exposición prolongada a sonidos fuertes de reproductores personales de música puede provocar pérdida de audición temporal o permanente.

INSTALACIÓN

- Desembale todas las piezas y retire el material protector.
- No conecte la unidad a la corriente eléctrica antes de comprobar la tensión de la corriente y antes de que se hayan hecho todas las demás conexiones.
- No cubra ninguna ventilación y asegúrese de que hay un espacio de varios centímetros alrededor de la unidad para su ventilación.



1. Interruptor de encendido

Modos de cambio ENTRADA CC, ENTRADA CA u off.

Cuando se cambia al estado CA, el altavoz funciona a 230V y se cargará la batería.

Cuando se cambia a apagado, la alimentación está apagada y no hay carga de la batería.

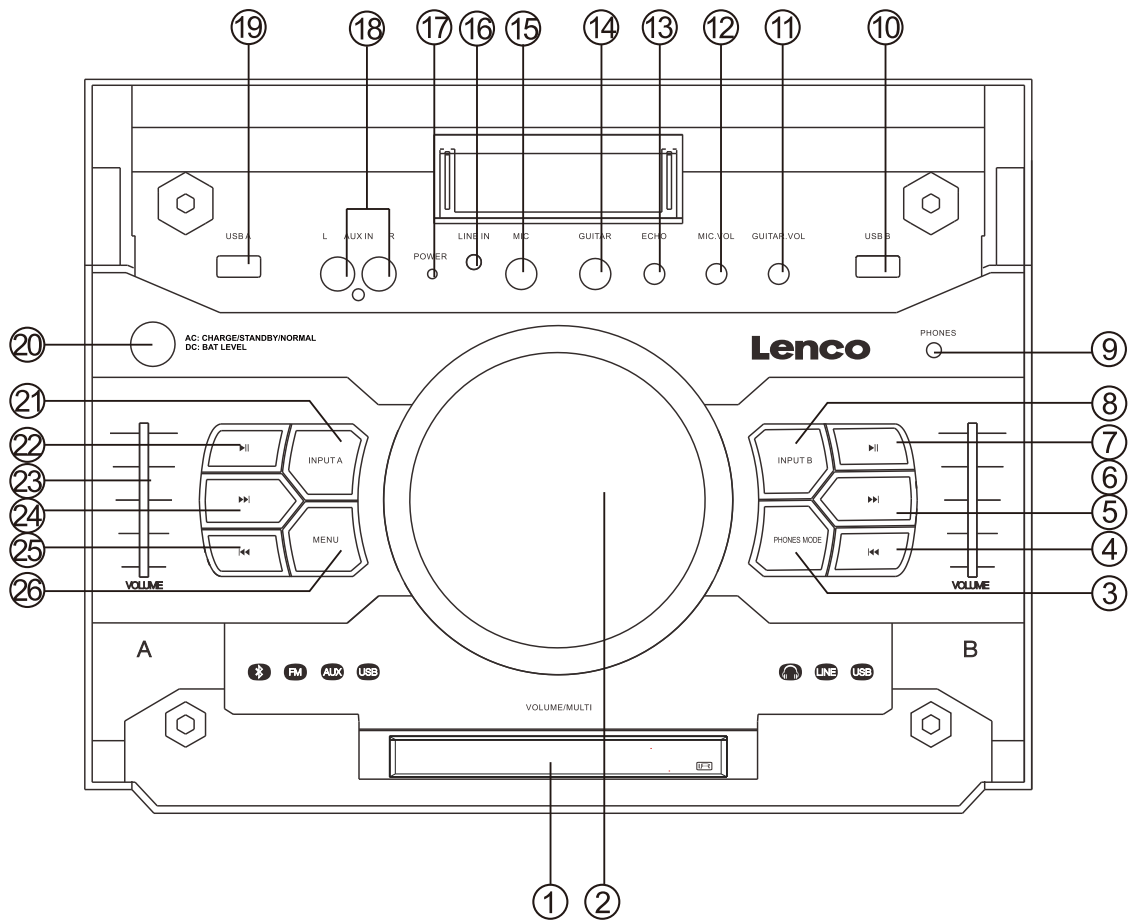
Cuando se cambia a CC, el altavoz está alimentado por la batería.

2. ENTRADA CC DE 12V

El altavoz puede conectarse a la batería CC de 12V de un vehículo.

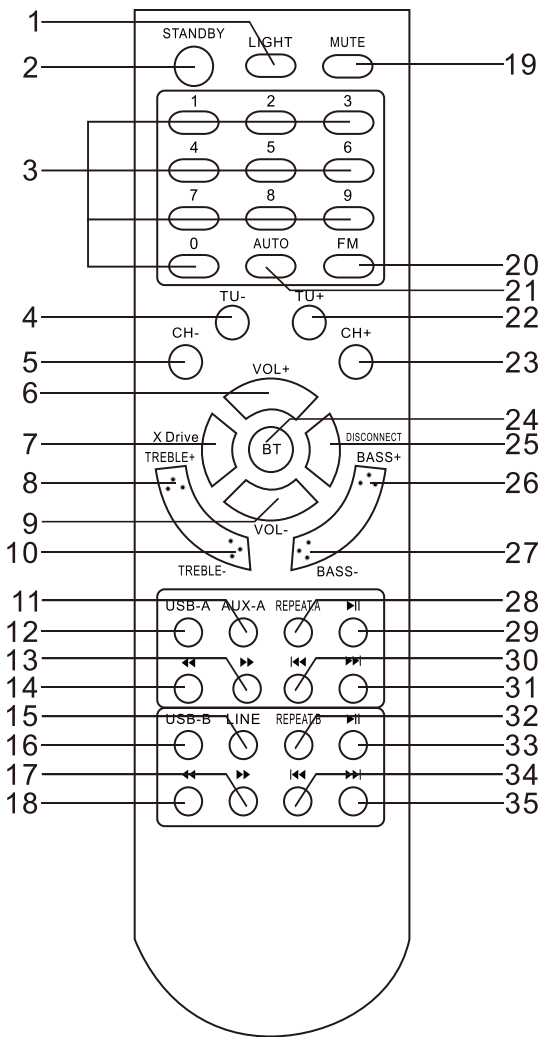
3. ANTENA FM

4. ENTRADA CA CA 230V~, 50Hz

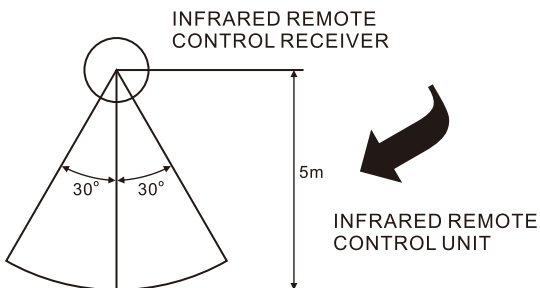


1. **PANTALLA LED**
 Información de parámetros del sistema de pantalla: la parte izquierda de la pantalla muestra el estados de la ENTRADA A; la parte derecha de la pantalla muestra el estado de ENTRADA B
2. **VOLUMEN/MULTI/EFECTO DJ**
 Gire el dial para ajustar el volumen principal, volumen del teléfono, agudos y bajos. Pulse brevemente esta tecla para elegir los diferentes efectos musicales, SCRATCH, REVERB, BEAT BOX, YEAH, BRING IT, GEYA, COME ON. Púlsela durante un periodo prolongado de tiempo para reproducir el efecto de PERCUSIÓN.
3. **MODO TELÉFONO**
 Pulse esta tecla para elegir los diferentes modos AURICULARES, ENTRADA A, ENTRADA B, ENTRADA AB
4. **ENTRADA B ANTERIOR**
 Pulse esta tecla para elegir la música anterior con USB B
5. **ENTRADA B SIGUIENTE**
 Pulse esta tecla para elegir la siguiente música con USB B
6. **ENTRADA B VOLUMEN**
 Esto se usa para ajustar el volumen con ENTRADA B
7. **ENTRADA B REPRODUCIR/HACER UNA PAUSA**
 Pulse esta tecla para elegir reproducir/hacer una pausa en la música con ENTRADA B
 Cuando reproduzca un USB, pulse esta tecla durante un periodo prolongado de tiempo para cambiar la cuenta atrás o cuenta hacia delante de la reproducción.
8. **MODO ENTRADA B**
 Pulse esta tecla para elegir entre los diferentes modos ENTRADA B, LÍNEA, USB B

9. TOMA DE ENTRADA DE AURICULARES
10. Toma de entrada USB B
11. VOLUMEN DE LA GUITARRA
Ajusta el volumen de la GUITARRA
12. VOLUMEN DEL MICRÓFONO
Ajusta el volumen del MICRÓFONO
13. ECO
Ajusta el ECO de la entrada del MICRÓFONO
14. Toma de GUITARRA
15. Toma de MICRÓFONO
16. TOMA DE ENTRADA DE AUDIO DE ENTRADA DE LÍNEA
Conéctela a la toma de entrada de señal LINE IN (ENTRADA DE LÍNEA).
17. Luz ALIMENTACIÓN CC
18. TOMA DE ENTRADA DE AUDIO AUXILIAR
Conéctelo a la toma de entrada de señal AUXILIAR.
19. Toma de entrada USB A
20. en CA: CARGA/EN ESPERA/NORMAL
Pulsar durante un periodo prolongado esta tecla enciende o pone la unidad en espera. Pulsar brevemente esta tecla enciende la unidad en modo CARGA, EN ESPERA o NORMAL
En CC: NIVEL DE BATERÍA
Al pulsar esta tecla se muestra el nivel de batería actual.
21. MODO DE ENTRADA A
Pulse esta tecla para elegir los diferentes modos de ENTRADA A, AUX A, BT A, FM, USB A
22. ENTRADA A REPRODUCCIÓN/PAUSA
Pulse esta tecla para elegir reproducción/pausa de la música con ENTRADA A
Mientras reproduce un USB, pulsar durante un periodo prolongado de tiempo esta tecla cambia la cuenta atrás o cuenta hacia delante del tiempo de reproducción.
23. ENTRADA A VOLUMEN
Esto se usa para ajustar el volumen de ENTRADA A
24. ENTRADA A SIGUIENTE
Pulse esta tecla para elegir la siguiente música con USB A
25. ENTRADA A ANTERIOR
Pulse esta tecla para elegir la música anterior con ENTRADA USB A
26. MENU
Este interruptor selecciona el modo de volumen principal, bajos, agudos, x-drive y luz.



1. LUZ
2. ESPERA
3. BOTONES NUMÉRICOS
4. SINTONIZANDO-
5. CANAL-
6. VOLUMEN+
7. DRIVE X
8. AGUDOS+
9. VOLUMEN-
10. AGUDOS-
11. AUXILIAR-A
12. USB-A
13. USB-A HACIA DELANTE
14. USB-A HACIA ATRÁS
15. LÍNEA
16. USB-B
17. USB-B HACIA DELANTE
18. USB-B HACIA ATRÁS
19. SILENCIO
20. FM
21. AUTOMÁTICO
22. SINTONIZAR+
23. CANAL+
24. BT
25. DESCONECTAR
26. BASE+
27. BASE-
28. ENTRADA-A REPETIR
29. ENTRADA-A PAUSA
30. ENTRADA-A ANTERIOR
31. ENTRADA-A SIGUIENTE
32. ENTRADA-B REPETIR
33. ENTRADA-B PAUSA
34. ENTRADA-B ANTERIOR
35. ENTRADA-B SIGUIENTE



| |
|------------------------------------------------|
| EN |
| INFRARED REMOTE CONTROL RECEIVER |
| 5m |
| INFRARED REMOTE CONTROL UNIT |
| ES |
| RECEPTOR DEL MANDO A DISTANCIA POR INFRARROJOS |
| 5m |
| UNIDAD DEL MANDO A DISTANCIA POR INFRARROJOS |

FUNCIONAMIENTO DEL MANDO A DISTANCIA:

- Si el mando a distancia entra en conflicto con otros dispositivos, se verá afectado su funcionamiento.
- No pulse simultáneamente botones en la unidad y en el mando a distancia.
- Evite usar dos mandos a distancia a la vez ya que esto provocará un funcionamiento incorrecto.
- Use únicamente pilas UM-4 tamaño 'AAA'. No mezcle pilas antiguas con nuevas.
- Si las pilas presentan fugas, limpie bien el mando a distancia antes de sustituir las pilas.
- No cortocircuite dos terminales de las pilas. Deshágase de las pilas antiguas en un lugar adecuado.

FUNCIONAMIENTO NORMAL

1. Seleccione el interruptor de alimentación situado en la parte posterior de la unidad del altavoz bien en modo CA o CC.
2. Seleccione una fuente de audio pulsando la tecla ENTRADA A situada en el panel frontal para mostrar AUX A, BT A, FM, USB A. Pulse la tecla ENTRADA B situada en el panel frontal para mostrar LINE, USB B.

Cuando la unidad está en modo CA:

- Pulsar una vez el botón en espera active el modo de carga, mostrando el estado de carga de la batería en la pantalla LED de color azul.
- Pulsar el botón en espera una segunda vez activará el altavoz y mostrará la luz de carga de color verde.
- Asimismo puede seleccionar el modo en espera sin cargar la batería.

Cuando la unidad está en modo CC:

- Pulsar el botón en espera muestra el nivel de batería en la pantalla LED de color azul
3. Gire el dial VOLUME/MULTI/DJ EFFECT en el panel de control o la tecla VOL+/- en el mando a distancia para ajustar el volumen principal. Posteriormente ajuste el deslizador de volumen de ENTRADA A y use el deslizador de volumen derecho para cambiar el volumen de ENTRADA B.
 4. Para ajustar los bajos, agudos, X-drive, luces del altavoz y volumen principal pulse la tecla del menú para seleccionar los bajos, agudos, X-drive, luces del altavoz, y después gire el dial grande VOLUME/MULTI/DJ EFFECT.
 5. Selección de SALIDA DE TELÉFONO. Pulse el botón PHONES MODE en el panel de control para mostrar ENTRADA A, ENTRADA B, o ENTRADA AB y ajuste el volumen de A, B o AB girando el dial de multi efectos DJ.
 6. Pulse el botón LIGHT en el mando a distancia o pulse el botón MENU situado en el panel frontal hasta que se muestre el modo luz del altavoz; posteriormente, gire el dial de VOLUME/MULTI/DJ EFFECT para seleccionar OFF, R, G, B, RG, RB, GB, RGB, AUTO, modo de luz DEMO.
 7. Pulse la tecla MUTE en el mando a distancia para silenciarlo; vuélvalo a pulsar para reanudarlo.
 8. Pulse X DRIVE en el mando a distancia para conectar/desconectar el efecto X-Bass.

OPCIONES DE CONTROL DE COLOR DE LAS LUCES DEL ALTAVOZ

- R = parpadean las luces rojas
- G = parpadean las luces verdes
- B = parpadean las luces azules
- RG = parpadean las luces rojas y verdes RB = parpadean las luces rojas y azules GB = parpadean las luces verdes y azules
- RGB = parpadean las luces rojas, verdes y azules
- Auto = las diversas combinaciones de colores cambian y parpadean.
- Demo = las luces parpadean y cambian de color como si respondieran al ritmo de la música.

APLICACIONES DE LA RADIO

1. Antes de usar las funciones de la radio, debe ajustar la antena para obtener la recepción óptima. Pulse la tecla ENTRADA A en el panel frontal o la tecla FM en el mando a distancia para seleccionar la función "FM".
2. Pulse la tecla AUTO en el mando a distancia o el botón reproducir en el panel de control de ENTRADA A. El aparato buscará canales de radio desde la frecuencia baja a la frecuencia alta y guarda los canales encontrados uno a uno.
3. Pulse la tecla CH+/CH- en el mando a distancia para cambiar las presintonías de radio que se hayan guardado previamente.
4. Mantenga pulsada la tecla TU+/TU- en el mando a distancia para ajustar manualmente la frecuencia de radio.
5. Para seleccionar emisoras de radio del panel de control, mantenga pulsados los botones siguiente/ anterior.

FUNCIÓN KARAOKE Y GUITARRA

1. El aparato puede conectar automáticamente si se ha conectado un MICRÓFONO o una GUITARRA. Por favor, apague del micrófono con el dial MIC.VOL situado en el panel frontal y ajuste el volumen gradualmente tras insertar el micrófono. Observaciones: El PMX-300 se entrega con un micrófono inalámbrico que usa 2 pilas AA (no incluidas). Cuando cambia el botón a "ON", puede hablar por el mismo y ajustar el volumen y el eco en el panel de control.
2. Ajuste el dial ECO situado en el panel frontal para cambiar el micrófono a ECO.
3. Ajuste el dial GUITAR VOL en el panel frontal para cambiar el VOLUMEN de la guitarra.

Nota: No toque la parte superior del micrófono cuando cante para evitar el efecto aullido. Ajuste gradualmente el volumen del micrófono para evitar el efecto aullido.

EMPAREJAMIENTO Y CONEXIÓN BLUETOOTH

- Desconecte cualquier dispositivo Bluetooth previamente emparejados (vinculados) con esta unidad.
- Conecte la propiedad Bluetooth de su teléfono o reproductor de música.
- Conecte y fije esta unidad en modo Bluetooth. La luz azul que parpadea "BT" en la pantalla LED indica que está en modo emparejamiento.
- Fije su teléfono o reproductor de música para que busque los dispositivos Bluetooth.
- Seleccione 'PMX-300' de los resultados de la búsqueda en su teléfono o reproductor de música.
- Seleccione OK o YES (SÍ) para emparejar esta unidad con su teléfono o reproductor de música.
- Si está protegido, introduzca 0000 como contraseña; la luz azul constante indica una conexión con éxito.
- Pulse la tecla DISCONNECT en el mando a distancia para desconectar el Bluetooth.

FUNCIÓN DEL LECTOR USB

Interfaz USB

Esta unidad dispone de dos tomas USB. Pulse la tecla ENTRADA A para seleccionar USB A; posteriormente, puede insertar una memoria USB para reproducir música. Pulse la tecla ENTRADA B para seleccionar USB A; posteriormente, puede insertar otra memoria USB para reproducir música.

Importante: El puerto USB tiene como finalidad únicamente la transferencia de datos; no se pueden usar otros dispositivos con esta conexión USB. No se recomienda el uso de cables de extensión USB.

MOSTRAR HORA

En modo USB, la pantalla puede mostrar bien el tiempo transcurrido o el tiempo restante.

Pulsando durante un periodo prolongado de tiempo la tecla reproducción/pausa, puede seleccionar la pantalla positiva o negativa del tiempo.

CARGAR LA BATERÍA

1. Cuando la batería está en modo alimentada, no se puede usar el funcionamiento en espera.
2. El panel de control dispone de una luz de carga. Cuando la batería está lo suficientemente cargada, la luz es de color verde.

Cuando la batería está baja, la pantalla del sistema avisa de 'LOW POWER' (BATERÍA BAJA) y la luz de vuelve de color rojo.

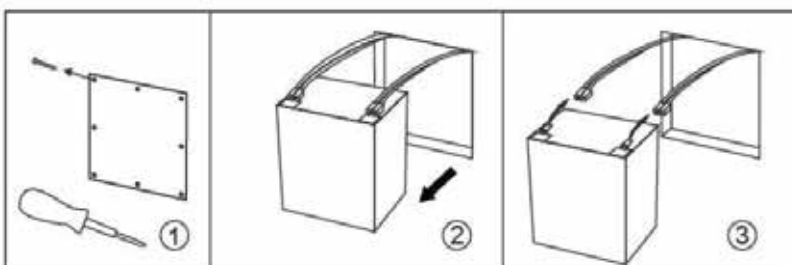
PARA PROTEGER LA VIDA ÚTIL DE LA BATERÍA INTERNA:

Cuando la batería está vacía, cambie inmediatamente el dial POWER situado en la parte posterior a la posición OFF para proteger la vida útil de la batería interna o a CA para volverla a cargar.

Importante: El proveedor no asume ninguna responsabilidad por los daños causados por el uso indebido del dispositivo y la batería no quedará cubierta por la garantía.

DESMONTAJE DE LA BATERÍA

1. Retire los tornillos del panel posterior.
2. Extraiga la batería.
3. Desconecte la batería



| | | ACCESORIOS |
|---------------------------------|-------|-----------------------------|
| Mando a distancia | | 1 unidad |
| Manual de instrucciones | | 1 unidad |
| Micrófono inalámbrico | | 1 unidad |
| Cable de alimentación CA | | 1 unidad |
| | | ESPECIFICACIONES |
| Respuesta de frecuencia | | 20Hz-20KHz |
| Fuente de alimentación | | 230V ~ 50Hz/12VCC |
| Max.Consumo de energía | | 120W |
| Batería | | Plomo/Ácido 12VCC, 4,5 Ah |
| Tiempo de reproducción CC | | ~10 horas al 50% de volumen |
| Potencia de salida | | 250W (RMS) |
| Micrófono | | Inalámbrico 864 MHz |
| Bluetooth | | V4.2 |
| Radio FM | | 87,5-108 MHz |
| Tamaño de la unidad (A x D x A) | | 32 x 33,7 x 98 mm |
| Tamaño del altavoz de agudos | | 5,08 x 2,54 cm |
| Tamaño del woofer | | 2,54 x 7,62 cm |
| Tamaño del subwoofer | | 5,08 x 25,4 cm |
| Peso de la unidad | | 21 kg |
| Temperatura de funcionamiento | | 10-40 °C |

- La especificación se presenta solo como referencia. Los valores del peso y del tamaño son aproximados.
- Nuestro producto se mejora constantemente y las especificaciones y funciones pueden cambiarse sin previo aviso.

Este producto funciona a 2400 a 2483,5 MHz y está diseñado únicamente para ser utilizado dentro de un entorno doméstico normal. Este producto es adecuado para este propósito en todos los países de la UE.

Por favor, tenga en cuenta (Para su uso con el micrófono inalámbrico)

Este producto opera a una frecuencia de **864 MHz** y está diseñado sólo para usarse en un entorno doméstico normal. Este producto es adecuado para su uso con esta finalidad en la mayoría de los países de la UE.

El usuario debe comprobar las frecuencias permitidas del país donde se usará la unidad.

(Se puede obtener más información en: <https://www.apwpt.org>)

El usuario es responsable del uso de esta unidad. Lenco no asume ninguna responsabilidad si se usa esta unidad para una finalidad diferente a aquella descrita en este manual.

Garantía

Lenco ofrece servicio y garantía en cumplimiento con las leyes de la Unión Europea, lo cual implica que, en caso de que su producto precise ser reparado (tanto durante como después del periodo de garantía), deberá contactar directamente con su distribuidor.

Nota importante: **No** es posible enviar sus reparaciones directamente a Lenco.

Nota importante: Si la unidad es abierta por un centro de servicio no oficial, la garantía quedará anulada.

Este aparato no es adecuado para el uso profesional. En caso de darle un uso profesional, todas las obligaciones de garantía del fabricante quedarán anuladas.

Exención de responsabilidad

Regularmente se llevan a cabo actualizaciones en el Firmware y en los componentes del hardware. Por esta razón, algunas de las instrucciones, especificaciones e imágenes incluidas en este documento pueden diferir ligeramente respecto a su situación particular. Todos los elementos descritos en esta guía tienen un objetivo de mera ilustración, y pueden no ser de aplicación en su situación particular. No se puede obtener ningún derecho ni derecho legal a partir de la descripción hecha en este manual.

Eliminación del antiguo dispositivo



Este símbolo indica que no deberá deshacerse del producto eléctrico o batería en cuestión junto con los residuos domésticos, en el ámbito de la UE. Para garantizar un tratamiento residual correcto del producto y su batería, por favor, elimínelos cumpliendo con las leyes locales aplicables sobre requisitos para el desecho de equipos eléctricos y baterías. De hacerlo, ayudará a conservar recursos naturales y mejorar los estándares de protección medioambiental en el tratamiento y eliminación de residuos eléctricos (Directiva sobre la Eliminación de Equipos Eléctricos y Electrónicos).

Servicio

Para obtener más información y soporte del departamento técnico, por favor, visite la página web www.lenco.com

Lenco Benelux BV, Thermiekstraat 1a, 6361 HB, Nuth, Países Bajos.