

## P/N: CM78

### Copyright

© 2019, FLIR Systems, Inc.

All rights reserved worldwide. Names and marks appearing herein are either registered trademarks or trademarks of FLIR Systems and/or its subsidiaries. All other trademarks, trade names or company names referenced herein are used for identification only and are the property of their respective owners.

### Document identity

Publ. No.: CM78  
 Commit: 61688  
 Language: en-US  
 Modified: 2019-12-05  
 Formatted: 2019-12-05

### Website

<http://www.flir.com>

### Customer support

<http://support.flir.com>

### Disclaimer

Specifications subject to change without further notice. Camera models and accessories subject to regional market considerations. License procedures may apply. Products described herein may be subject to US Export Regulations. Please refer to [exportquestions@flir.com](mailto:exportquestions@flir.com) with any questions.



The FLIR CM78 is a true RMS industrial grade 1000 A clamp meter for the electrician who needs a safe, capable combination tool.

- The integrated infrared (IR) thermometer provides fast non-contact measurements on panels, conduits, and motors.
- Powerful work lights not only assist with clamping but are bright enough to serve as a primary work light.
- FLIR Tools Mobile connects the FLIR CM78 to your compatible smartphones and tablets via Bluetooth.
- METERLiNK technology wirelessly integrates electrical readings on your IR image with FLIR thermal cameras.

Features:  
 Voltage and current, minimum, maximum, average, auto power off, data hold, relative, peak hold, battery status indicator, bright white LED backlight.

Measurement	
AC/DC current	1000 A ± 2.5%
AC/DC voltage	1000 V ± 1.5%
Resistance	40.00 MΩ ± 1.5%
Capacitance	4.000 mF ± 3%
Frequency	4000 Hz ± 1.5%
Temperature (IR)	-29 to 270°C (-20 to 518°F), accuracy ± 2% reading or ± 2°C (± 4°F) whichever is greater
IR distance to target ratio	8:1
Type K temperature (optional probe)	-20 to 760°C (-4 to 1400°F) ± 3%
Maximum voltage applied to any terminal	1000 V DC or 1000 V AC RMS
Measuring rate	20 samples per second (nominal)

Meter data	
Jaw opening	42 mm (1.7", 1500 MCM)
Bluetooth range (maximum)	10 m (32')
Category rating	CAT IV-600 V, CAT III-1000 V
Data recording	N/A
Warranty	<a href="https://www.flir.com/testwarranty">https://www.flir.com/testwarranty</a>
Calibration cycle	Once per year (suggested)



## FLIR CM78

### P/N: CM78

© 2019, FLIR Systems, Inc.

#CM78; r. 61688; en-US

<b>Certifications</b>	
Certifications	UL, CE, FCC, CB
Complies with safety standards	IEC 61010-1 CAT IV-600 V and CAT III-1000 V, IEC 61010-2-33

<b>Power system</b>	
Power requirements	6 × 1.5 V AAA alkaline batteries
Battery life	~100 hours with alkaline batteries (backlight, work light, and Bluetooth off)
Auto power off	Default: 25 minutes

<b>Environmental data</b>	
Operating ambient temperature	-10 to 50°C (14–122°F)
Storage temperature	-25 to 60°C (-14 to 140°F)
Temperature coefficient	0.2 × (specified accuracy)/°C, <18°C, >28°C
Operating altitude	2000 m (6550')
Pollution degree	2
Electromagnetic compatibility	EN 61326-1
Shock vibration	Random vibration per MIL-PRF-28800f Class 2 (5–55 Hz, 3g maximum)

<b>Meter physical data</b>	
Weight	0.63 kg (1.4 lb.), including batteries
Dimensions (H × W × L)	257 mm × 110 mm × 50 mm (10.1" × 4.3" × 2.0")
Material	<ul style="list-style-type: none"><li>Polycarbonate and acrylonitrile butadiene styrene (PC-ABS)</li><li>Thermoplastic elastomer (TPE)</li></ul>
Color	Gray, black

<b>Shipping information</b>	
Packaging type	Color box with view of product in clamshell
Packaging contents	<ul style="list-style-type: none"><li>CM78 FLIR meter</li><li>TA80 premium test leads</li><li>6 × AAA Energizer batteries</li><li>User manual/CD</li></ul>
Packaging weight	1.03 kg (2.27 lb.)
Packaging dimensions (H × W × L)	13.5 cm × 11 cm × 30 cm (5.3" × 4.3" × 11.8")
Carton weight	21.5 kg (47.4 lb.)
Carton dimensions (H × W × L)	57 cm × 30 cm × 65 cm (22.4" × 11.8" × 25.6")
Carton quantity	20
EAN-13	0793950370780
UPC-12	793950370780
Country of origin	China
Tariff code	9030310000

<b>Technical support</b>	
Website	<a href="http://support.flir.com">http://support.flir.com</a>

### Supplies & accessories:

- TA03-KIT; NiMH Rechargeable Battery Kit
- TA11; Protective case for CM7x and CM8x Series



## FLIR CM78

---

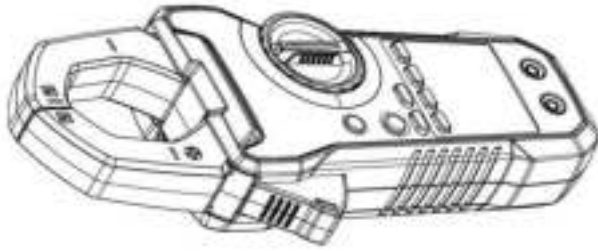
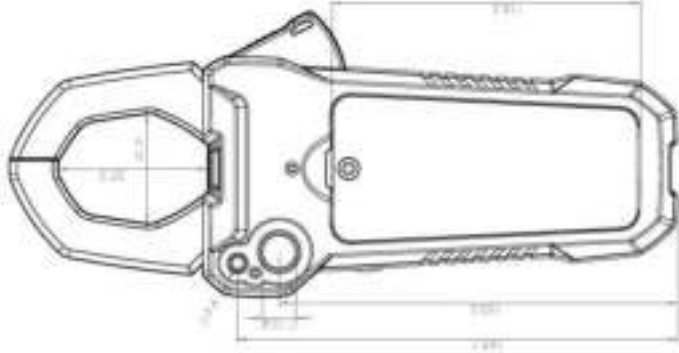
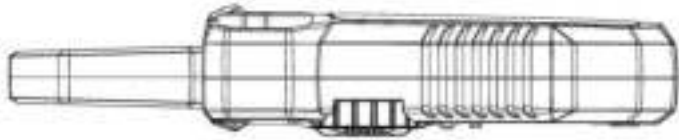
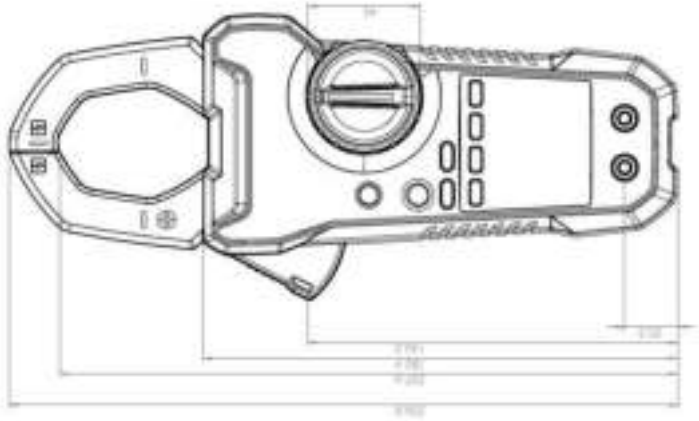
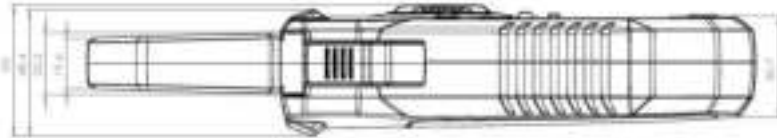
**P/N: CM78**

© 2019, FLIR Systems, Inc.

#CM78; r. 61688; en-US

- TA15; Universal Soft Sided Case
- TA55; AC Current Line splitter
- TA60; Thermocouple probe with adapter
- TA70; CAT IV Insulated Alligator Probes
- TA80; CAT IV Silicone Test Leads

© 2014, FLIR Systems, Inc. All rights reserved worldwide. No part of this drawing may be reproduced, stored in a retrieval system, or transmitted in any form, or by any means, electronic, mechanical, photocopying, recording, or otherwise, without written permission from FLIR Systems, Inc. Specifications subject to change without further notice. Dimensional data is based on nominal values. Products may be subject to regional market considerations. License procedures may apply. Product may be subject to US Export Regulations. Please refer to exportquestions@flir.com with any questions. Diversion contrary to US law is prohibited.



<b>Modified Date</b> Monday, March 17, 2014	<b>Modified By</b> T&M Engineering
<b>Description</b> FLIR CM78, Units in mm	

