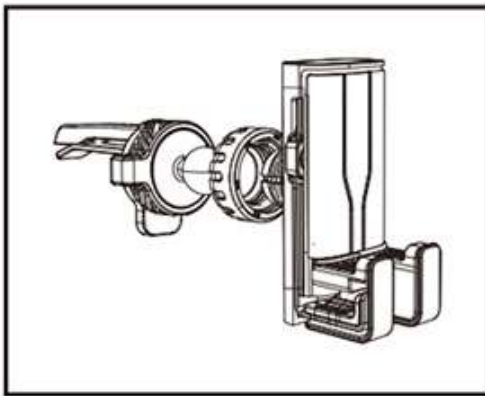
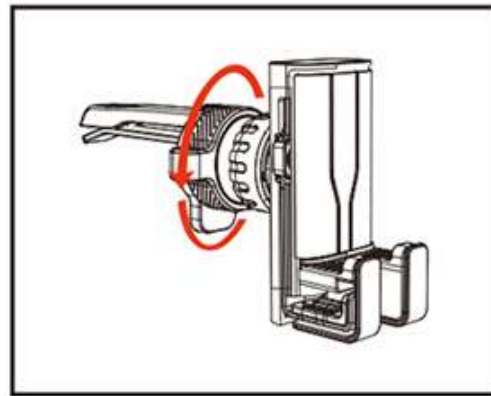


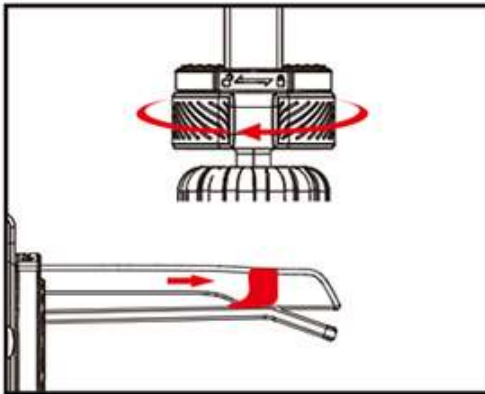
Installation manual



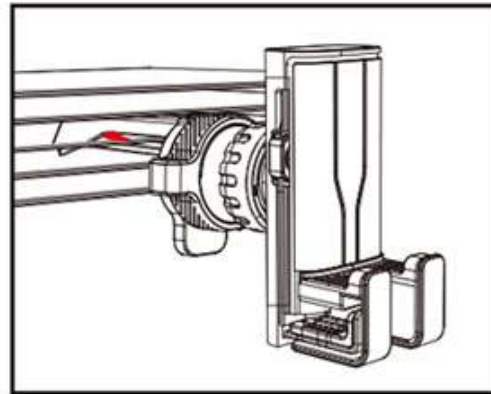
1. Unscrew the nut, put it on the universal ball, and then insert the universal ball into the groove



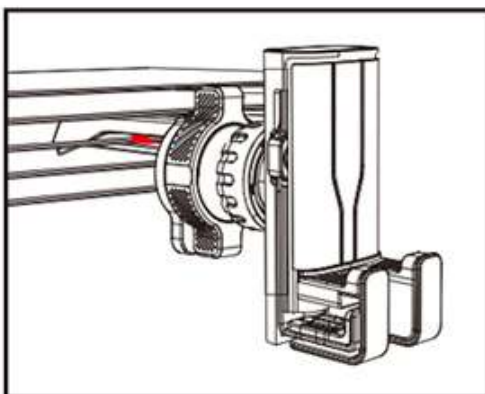
2. Tighten the nut and complete the installation



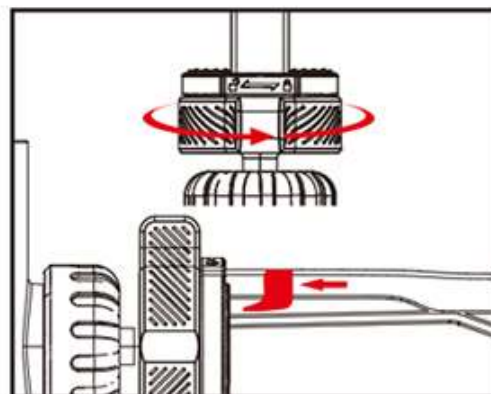
3. Turn the handle counterclockwise along the 'unlock' to turn the buckle to the end of the clip



4. Select a suitable position at the air outlet and adjust the grille so that the clip is fully inserted inside the air outlet



5. After the clip is inserted inside the air outlet, adjust the bracket so that the silicone at the end of the clip just touches the grille



6. Turn the rotating handle clockwise in the direction of "lock" to the end, make sure that the buckle is fully engaged with the air outlet grille, adjust the bracket to the appropriate angle, and then use