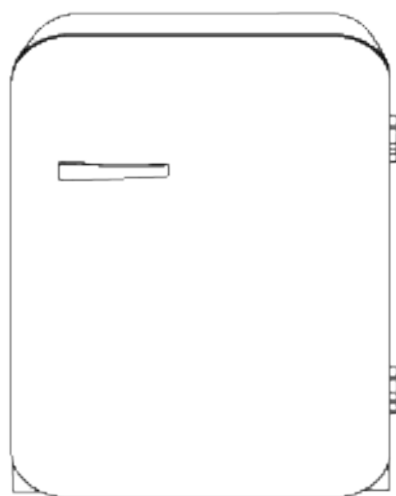


# CREATE

FRIDGE RETRO



FRIDGE NEVERA

---

**USER MANUAL**





## INDEX

---

### ENGLISH

Security instructions	6
Daily use	7
Flammable - refrigerant gas warning	7
Parts list	8
Let's get started	9
Unpacking	9
Door handle installation	9
Fridge installation	9
Adjusting the thermostat	10
Food storage	11
Energy-saving tips	11
Going away?	11
Moving the fridge	12
Cleaning and maintenance	12
Internal cleaning	12
External cleaning	12
Warning	12
Troubleshooting	13
Disposal of old appliances and packaging	14

### PORTUGUÊS

Instruções de segurança	24
Utilização diária	25
Advertência: gás refrigerante inflamável	25
Lista de peças	26
Comecemos	27
Desembalar	27
Instalação do puxador da porta	27
Instalação do frigorífico	27
Ajuste do termostato	28
Armazenamento de comida	29
Conselhos para a poupança de energia	29
Vai de férias?	29
Mover o frigorífico	29
Limpeza e manutenção	30
Limpeza interna	30
Limpeza externa	30
Advertência	30
Resolução de problemas	31
Eliminação da embalagem e desmantelamento dos aparelhos utilizados	32

### ESPAÑOL

Instrucciones de seguridad	15
Uso diario	16
Advertencia: Gas refrigerante inflamable	16
Lista de partes	17
Empezamos	18
Desembalaje	18
Instalación del tirador de la puerta	18
Instalación de la nevera	18
Ajustes del termostato	19
Almacenamiento de la comida	20
Consejos para el ahorro de energía	20
¿Se va de vacaciones?	20
Mover la nevera	21
Limpeza y mantenimiento	21
Limpeza interna	21
Limpeza externa	21
Advertencia	21
Resolución de problemas	22
Eliminación del embalaje y desguace de los aparatos usados	23

### FRANÇAIS

Instructions de sécurité	33
Usage quotidien	34
Avvertissement : gaz réfrigérant inflammable	34
Lista des pièces	35
Commençons	36
Déballage du réfrigérateur	36
Installation de la poignée de porte	36
Installation du réfrigérateur	36
Réglage du thermostat	37
Stockage des aliments	38
Conseils d'économie d'énergie	38
Vous partez en vacances ?	38
Déplacer le réfrigérateur	38
Nettoyage et entretien	39
Nettoyage intérieur	39
Nettoyage extérieur	39
Attention	39
Résolution de problèmes	40
Recyclage des emballages et des appareils usés	41



**ITALIANO**

Istruzioni di sicurezza	42
Uso quotidiano	43
Avvertenza: gas refrigerante infiammabile	43
Elenco delle parti	44
Iniziamo	46
Apertura confezione	46
Installazione della maniglia della porta	46
Installazione del frigorifero	46
Valori del termostato	46
Conservazione degli alimenti	47
Consigli per il risparmio di energia	47
Si parte per le vacanze?	47
Spostamento del frigorifero	47
Pulizia e manutenzione	48
Pulizia interna	48
Pulizia esterna	48
Avvertenza	48
Risoluzione dei problemi	48
Rimozione dell'imballaggio e smaltimento degli apparecchi usati	50

**NEDERLANDS**

Beveiligingsinstructies	60
Dagelijks gebruik	61
Waarschuwing: brandbaar koelgas	61
Lijst met onderdelen	62
Laten we beginnen	63
Uitpakken	63
Deurknop installatie	63
Koelkast installatie	63
Thermostaat instellingen	64
Voedselopslag	65
Tips om energie te besparen	65
Ge je op vakantie?	65
Verplaats de koelkast	65
Reiniging en onderhoud	66
Interne reiniging	66
Externe reiniging	66
Waarschuwing	66
Probleem oplossen	67
Verwijdering van de verpakking en het weggeven van gebruikte apparaten	68

**DEUTSCH**

Sicherheitshinweise	51
Täglicher Gebrauch	52
Achtung: brennbares Kältemittelgas	52
Teilliste	53
Los geht's	54
Auspacken	54
Anbringen des Türgriffs	54
Installation des Kühlschranks	54
Einstellungen am Thermostat	55
Lagerung von Lebensmitteln	56
Empfehlungen zum Energie sparen	56
Sie wollen verreisen?	56
Kühlschrank bewegen	56
Reinigung und Pflege	57
Innenreinigung	57
Außenreinigung	57
Achtung	57
Problemlösung	58
Entsorgen der Verpackung und Verchromten von Altgeräten	58

**POLSKI**

Instrukcje bezpieczeństwa	69
Cozy codzienny użytk	70
Ostrzeżenie: łatwopalny gaz chłodniczy	70
Lista części	71
Zaczynamy	72
Rozpakowanie	72
Montaż klamki	72
Instalacja lodówki	72
Ustawienie termostatu	73
Magazyn żywności	74
Wskazówki dotyczące oszczędzania energii	74
Jedziesz na wakacje?	74
Przenieś lodówkę	74
Czyszczenie i konserwacja	75
Czyszczenie wewnętrzne	75
Czyszczenie zewnętrzne	75
Ostrzeżenie	75
Rozwiązanie problemu	76
Utylizacja opakowania i zużytych urządzeń	77

Thank you for choosing our fridge. Before using the appliance, and to ensure the best use, carefully read these instructions.

The safety precautions enclosed herein reduce the risk of death, injury and electrical shock when correctly adhered to. Keep the manual in a safe place for future reference, along with the completed warranty card, purchase receipt and package. If applicable, pass these instructions on to the next owner of the appliance. Always follow basic safety precautions and accident prevention measures when using an electrical appliance. We assume no liability for customer failing to comply with these requirements.

## SECURITY INSTRUCTIONS

When using any electrical appliance, basic safety precautions should always be observed.

- Make sure your outlet voltage and circuit frequency correspond to the voltage stated on the appliance's rating label. If this is not the case, please contact the aftersales service and do not use the refrigerator.
- Use a dedicated circuit to avoid the main circuit getting overloaded as it may blow the fuse or circuit breaker.
- To protect against fire and electrical shock, do not immerse the cord, plug, power base or the body of the Retro Fridge itself in water or other liquids. Do not expose the electrical connections to water.
- The cord should be placed in such a way that there is no risk of anyone accidentally pulling it or tripping over it.
- Do not kink, bend, squash, strain or damage the power cord and protect it from sharp edges and heat sources.
- Do not pull out the mains plug by tugging the cable.
- Do not let the cord hang over the edge of a table or bench top. Do not let it come in contact with hot surfaces.
- Do not pick up or operate the appliance if the power supply cord or the plug are damaged, or if the refrigerator is malfunctioning or has been dropped or damaged in any way.
- In case of damage, contact the aftersales service.
- A damaged cord or plug must be exclusively replaced by the manufacturer or a qualified person in order to avoid injuries.
- Make sure all of the electrical connections are clean and dry before switching anything on.
- Do not connect this appliance to an extension cord.
- Unplug the appliance from the power outlet when it's not in use and before cleaning, servicing, moving or maintenance of the refrigerator.
- Supervision or instruction concerning use of the appliance in a safe way and understand the hazards involved.
- To avoid the risk of children becoming trapped and suffocating, do not allow them to play or hide inside the appliance
- Do not use chemicals, steel wool or abrasive cleaners to clean the outside of the unit, as these will scratch the surface.
- Ensure that all the parts are correctly assembled before operation.
- If the product is defective or if it has been damaged in any way, please contact the aftersales service.
- If there is smoke coming out of the appliance or it has an unusual smell, unplug it immediately and contact the aftersales service.
- Place the product on a level and stable surface, away from direct sunlight or excessive heat.

- Do not place the product near heat sources such as radiators, heat registers, stoves or other appliances that produce heat.
- Do not place the product near other items that may damage it, such as naked flame sources (lit candles) or objects containing water (such as a vase or a glass).
- Care should be taken so that objects do not fall and liquids are not spilled into any openings.
- The Manufacturer declines any liability for injury or damage to property if the above advice and precautions are not respected.
- Prevent overheating: Place the product in a well-ventilated room. Ensure that air can circulate freely around the back of the refrigerator.
- To ensure the best performance, leave a distance of approximately 100 mm on all sides of the fridge.
- This appliance features a short power cord to reduce the risk of the cable getting tangled and people tripping. Do not use single/multi adapters or extension cords.
- There are no user-serviceable parts inside. Do not attempt to repair this product. Please contact our aftersales service.
- Before its first use, it is advisable to wait at least eight hours before connecting the appliance to enable the oil ejected from the compressor to return to the crankcase.
- Make sure there is proper air circulation around the appliance to prevent overheating. To ensure there is enough space follow the installation instructions.
- The appliance must not be located near radiators or cookers.
- Make sure that the mains plug is accessible after installing the appliance.

#### DAILY USE

- Always allow hot foods and drinks to cool to room temperature before putting them in the compartment.
- Store pre-packaged food according to the instructions on the label.

**WARNING!** Do not use mechanical, electric or chemical means other than those recommended by the Manufacturer to speed up the defrosting process.

- Never use a sharp or metal instrument to remove frost or clean the appliance. Use a plastic scraper, if necessary.
- Strictly follow the refrigerator's storage guidelines. Refer to relevant instructions.
- If the refrigerator is unplugged, turned off or has lost power, you must wait 3 to 5 minutes before restarting the unit. If you attempt to restart it before this time delay, the refrigerator will not start.

#### FLAMMABLE - REFRIGERANT GAS WARNING

- **Danger!** Risk of fire or explosion. Flammable refrigerant used. Maintenance and repair work may only be carried out by authorised and appropriately trained personnel. Do not damage the appliance's refrigerant circuit pipes.
- **Caution!** Risk of fire or explosion. Dispose of the refrigerator in accordance with federal and local regulations. Refrigerants must be evacuated in accordance with established procedures.

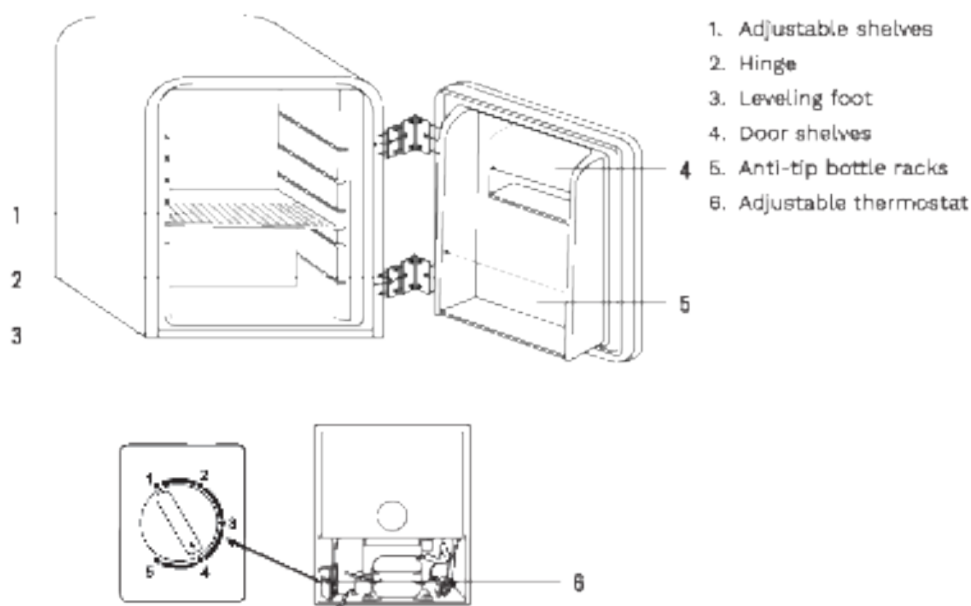
Appliances with isobutane (R600a): isobutane is a natural gas without environmental impact, but it is flammable. Therefore, make sure the refrigerant circuit pipes are not damaged. Keep special attention in case of damaged pipes emptying the refrigerant circuit.

**WARNING:** Do not damage the refrigerant circuit! Never use an appliance with a damaged refrigerant circuit! If the refrigerant circuit is damaged, avoid proximity to open fires and all types of heat and sources of ignition. Thoroughly ventilate the room in which the appliance is located.

- It is hazardous for anyone other than an authorised service person to service this appliance.

- The room in which the appliance is located must be at least 1m<sup>3</sup> per 8g of refrigerant. The amount and type of refrigerant in the appliance can be found in the Technical Specifications.
- Do not use or place electrical devices inside the appliance compartments if they are not of the type expressly authorised by the Manufacturer.
- Do not store explosive substances such as aerosol cans with a flammable propellant in this appliance.
- During transportation and installation of the appliance, ensure that none of the components of the refrigerant circuit becomes damaged.
- Avoid open flames and sources of ignition.
- Thoroughly ventilate the room in which the appliance is located.
- It is dangerous to alter the specifications or modify this product in any way.
- A damaged cord can cause a short circuit, fire and/or electrical shock.
- Excessive weight hazard. Take extra care when moving the fridge to avoid any injuries. This may require two people or mechanical aid when installing the fridge. Failure to do so can result in back injuries, amongst others.
- Avoid prolonged exposure of the appliance to direct sunlight.
- This appliance is intended to be used indoors only.
- All electrical components (plug, power cord, compressor, etc.) must be exclusively replaced by a certified service agent or qualified service personnel.
- DO NOT USE AN EXTENSION CORD. Plug the appliance into a grounded socket; the appliance must be correctly connected to an approved earthing system. Do not use single/multi adapters or extension cords.
- Make sure that the power plug is not squashed or damaged. This could lead to overheating and cause a fire.

## PARTS LIST



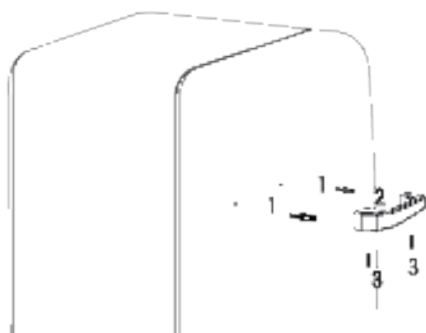
## UNPACKING

- This product has been packaged to protect it against transportation damage. Remove all packaging materials from around and inside the appliance, but do not remove any foam insulation surrounding the pipes at the back. Keep the original packaging and materials in a safe place; this will help prevent any damage if the product needs to be transported in the future, and you can use it to store the appliance when it is not in use. In the event that the packaging is to be disposed of, please recycle all packaging materials where possible.
- Plastic wrapping can constitute a suffocation hazard for pets, babies and young children. Ensure all packaging materials are out of their reach and disposed of safely.
- Parts: Check to ensure you have all the parts shown at the beginning of this manual.
- Unwind the power cord completely and inspect it for damage. Do not use the appliance if the refrigerator or its cord have been damaged or if they are not working properly. In case of damage, contact our aftersales service.
- Make sure the refrigerator is disconnected from the power supply before cleaning the interior surfaces and all internal accessories with lukewarm water, a soft cloth and neutral cleaning agents. This will remove any dust from transit and storage and will help remove the typical smell of a brand new product. Dry thoroughly. Important: do not use harsh or abrasive detergents or powders, as these will damage the finish.

## DOOR HANDLE INSTALLATION

The door handle comes detached due to packaging restrictions. It can be easily attached following the instructions.

- Fix the two screws (1) to the door.
- Insert the two fixed screws into the two holes on the metal handle (2).
- Fasten the two screws (3) to the bottom of the handle.



## FRIDGE INSTALLATION

Before installing your new fridge, read all of the safety guidelines in this manual and then follow the instructions below:

1. Place the fridge on a sturdy, level floor for quieter operation. Ensure that the floor is strong enough to support the fridge when it is fully loaded.
2. If the refrigerator is to be placed on a carpet, put a wooden board in between the fridge and the carpet. Be aware that, by placing the refrigerator on top of a carpet, the heat from the compressor may cause the carpet to fade.
3. This appliance is designed to be freestanding and it should not be recessed or built-in.
4. Do not tilt the fridge more than 45° from its upright position when moving it.
5. Avoid areas where the appliance would be exposed to direct sunlight, sources of heat (stove, heater, radiator, etc.), extremely cold ambient temperatures or excessive moisture.



and high humidity. Installing it in the coolest area of the room will save energy consumption and running costs.

**Handle with care!** Do not apply force to any area such as the condenser or the door. The metal rails on the bottom of the refrigerator may have sharp edges, so always unpack and handle with care. Do not drag the unit; place it carefully into position to avoid scratching the floor.

#### Space requirements

- Place the unit so there is enough space for the door to open.
- Ensure that air can circulate freely around the back of the cabinet, which is necessary for cooling the compressor and condenser. To ensure proper ventilation for your refrigerator, allow for 50mm of space on each side and at the top. Allow for 100mm of space behind the refrigerator.

#### Levelling

- The appliance must be level in order to work properly. If the unit is not level, the doors and magnetic seal alignments will not be covered properly.
- Your refrigerator has two adjustable front feet, one on the right and one on the left. In most cases, the refrigerator should be steady when both feet are touching the floor. If your refrigerator seems unsteady or if you want the doors to close more easily, adjust the refrigerator's tilt by levelling the feet.



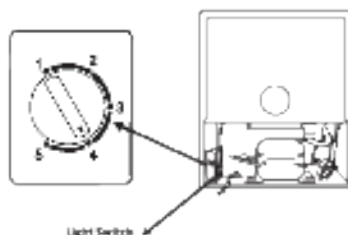
## ADJUSTING THE THERMOSTAT

- To start the refrigerator, turn the thermostat knob to the position corresponding to the desired temperature. The temperature of the refrigerator is controlled by adjusting/setting the thermostat knob, located at the top of the cabinet.
- The settings 0(OFF) - 5(MAX) regulate the internal temperature of the refrigerator.
  - Setting 0 (OFF): not operating (Please press the knob and turn to get the "0" position).
  - Setting 1 (Min.): lowest setting (warmest internal temperature).
  - Setting 5 (Max.): highest setting (coldest internal temperature).

**NOTE:** The refrigerator temperature will vary depending on the quantity of cans/bottles stored and on the frequency with which the door is opened. The internal temperature varies in different parts of the refrigerator. The back of the refrigerator is coldest. Please keep the cans/bottles away from the rear wall to avoid them freezing and to allow cold air circulation.

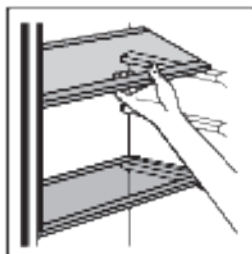
**NOTE:** The thermostat 0 (OFF) position indicates that the refrigerator is turned off even though power is still being supplied to the appliance. By turning the thermostat knob to the left, the refrigerator will turn on automatically. When the refrigerator is not going to be used for a long period of time, disconnect the plug and leave the door partially open.

Back of unit



## FOOD STORAGE

1. The refrigerator compartment is suitable for short-term storage of fresh food. The internal temperature of the appliance may be affected by the ambient temperature, frequency of door opening, as well as the location of the appliance. When setting the temperature, these factors should be taken into consideration.
2. In order to maintain good cooling efficiency and save energy, we recommend you do not open the door for too long or too often. Do not overload the fridge, and leave enough space around items to allow cold air to flow. Do not block ventilation openings.
3. The shelves can be positioned to suit individual storage requirements.



---

## ENERGY-SAVING TIPS

---

- Install the refrigerator in a cool, well ventilated place, protect it from direct sunlight and keep well away from heat sources.
- Do not put hot food in the fridge or freezer. Wait for foods and drinks to cool to room temperature before placing them in the fridge.
- Do not overload the fridge, as it forces the compressor to run for longer.
- Wrap foods properly and wipe containers dry before placing them in the fridge. This cuts down on frost build-up inside the fridge.
- Do not line any fridge container with aluminium foil, wax paper or paper towels. Liners interfere with cold air circulation, reducing cooling efficiency.
- Position food so that air can circulate freely around it (food should not touch each other and try to leave space between food and the rear wall).
- Do not leave the fridge door open for longer than required to prevent the unit from overheating.
- Make sure the food doesn't touch the back of the compartment.
- Don't set the thermostat to extremely cold temperatures.

## GOING AWAY?

- **Short vacation:** Leave the fridge running during vacations shorter than a month long. Use up any perishables and freeze other items.
- **Long vacation:** Disconnect the appliance from the power supply, empty it, defrost it (if necessary) and clean it. To prevent odour and mould growth, keep the doors slightly ajar to let air circulate inside the compartments, blocking it open, if necessary. (While the fridge remains open, restrict children's access to the room to avoid child entrapment).

---

## MOVING THE FRIDGE

---

1. Unplug the fridge and remove all food from the inside. Clean, wipe and dry thoroughly.
2. Securely tape the doors closed and tape the power cord to the back of the refrigerator. Take out all removable parts, wrap them well, and tape them together so they don't shift and rattle during the move.
3. Depending on the model, raise the front of the refrigerator so it rolls more easily OR screw in the levelling feet so they don't scratch the floor.

**CAUTION!** Never pick the refrigerator up by the door.

4. Protect the outside of the unit with a soft, clean surface, such as a towel, blanket or piece of cardboard and make sure the fridge stays secure in an upright position during its transportation.

---

## CLEANING AND MAINTENANCE

---

Disconnect the appliance from the power supply before cleaning.

### INTERNAL CLEANING

- Do not pour water over the appliance.
- The cavity should be cleaned periodically using a solution of baking soda and lukewarm water (5ml to 0.5 litre of water)
- Hand wash, rinse, and dry removable parts and interior surfaces thoroughly. Use a clean sponge or soft cloth and a mild detergent in warm water. Do not put them in the dishwasher.
- Do not use abrasive products, detergents or soaps.
- After washing, rinse with clean water and dry carefully.
- Once you have finished cleaning, plug in the refrigerator or reconnect power with dry hands.

### EXTERNAL CLEANING

- Wash stainless steel and painted metal parts with a clean sponge or soft cloth and a mild detergent in warm water.
- Take caution when cleaning as there are sharp edges on the bottom of the unit.
- Once or twice a year, dust the back of the appliance with a brush or vacuum cleaner, as an accumulation of dust will affect the performance of the appliance and cause an increase of energy consumption.

### WARNING

- Do not use abrasive or harsh cleaners such as window sprays, scouring cleansers, flammable fluids, cleaning waxes, concentrated detergents, bleaches or cleansers containing petroleum products on plastic parts, interior and door liners or gaskets. Do not use paper towels, scouring pads, or other harsh cleaning tools. Never use flammable fluids or sprays for cleaning as the fumes from these substances can create a fire hazard or explosion.
- Never clean the appliance with a steam cleaner. Moisture could accumulate in the electrical components. Failure to follow this recommendation could result in electrical shock. Hot steam can lead to the damage of plastic parts.
- The appliance must be completely dry before it is turned back on.
- Essential oils and organic solvents (e.g. lemon juice or the juice from an orange peel) and cleansers that contain acetic acid can damage the plastic parts. Do not clean the appliance with substances such as these.



## TROUBLESHOOTING

PROBLEM	CAUSE/SOLUTION
Refrigerator will not operate.	<p>The appliance is not plugged in. Plug it in to an earthed socket.</p> <p>No power to the electrical outlet. Check that the plug is not faulty.</p> <p>Household fuse has blown/circuit breaker has tripped. Replace the fuse or reset the circuit breaker.</p> <p>Check that the voltage is correct for the appliance.</p> <p>Large amount of warm food recently added. Allow several hours for the refrigerator to return to its normal temperature.</p> <p>Controls are not set correctly for the surrounding conditions.</p> <p>Check that the appliance is not placed in direct sunlight, or too near to a heating source.</p>
The temperature inside the appliance is not cold enough.	<p>Check that the ambient temperature is within the operation limits of the appliance.</p> <p>Are the doors of the appliance opened frequently? Once the door is opened, the humidity found in the air in the room enters the appliance, especially if the humidity levels in the room are very high. The more frequently the door is opened in humid conditions the more chance of moisture building up.</p> <p>The door is not completely closed.</p> <p>The door gasket is not properly sealed.</p>
The temperature within the appliance is too cold.	<p>Air vents are blocked. Remove any items that are immediately in front of the vents.</p> <p>Increase the ambient temperature within the fridge by adjusting the thermostat to a lower setting. The highest setting should only be used as a rapid cool setting and should only be set 2 hours before storing a large load of food. If this is not done, the temperature in the fridge compartment could fall below 0°C, as the compressor will run continuously.</p>
Moisture builds up on the inside or outside walls of the fridge.	<p>A hot and humid environment will contribute to moisture being built-up. This is normal.</p>
Smell/odour	<p>Check that all the food and the drinks in the fridge are within their 'best before' date and is packaged correctly. If this weren't the case, repackage or throw the expired food away immediately.</p> <p>Check for spillage on each shelf, rack and drawer. You may need to remove the drawers to check that no food or liquids have settled underneath them. Wipe up any spills immediately to avoid smells and unwanted odours.</p>
The doors do not close properly.	<p>Ensure there are no objects obstructing the door.</p> <p>Make sure all bins and shelves are in their correct position.</p> <p>Check the door seal is not warped or torn.</p> <p>Confirm the appliance is level.</p>

PROBLEM	CAUSE/SOLUTION
	Check that the appliance is on a flat, level surface and is stable.
	Check the spacing around the appliance and ensure it is not touching other items.
Unusual noises.	Rubbling and gurgling sound: This noise is the coolant fluid flowing through the pipes within the system. It's normal.
	Water flowing sound: This is the normal sound of water flowing into the drain during the defrosting process.
	If the appliance is operating noisily (compressor noise): This is normal. This noise indicates that the compressor is operating normally. As the compressor is being energized, it might run a bit more noisily for a short period of time.
	Topping and cracking noises are heard when the inside walls contract/expand, especially during initial cooldown.
The fridge door will not open.	If the door has just been opened, leave it for a few minutes to allow the air pressure to equalise before trying again.
	The temperature is set too cold; select a lower (warmer) setting.
The compressor runs continuously.	The door is open or something is obstructing proper door closure.
	The door gaskets are worn, dirty or damaged.
	A large load of food has been added.
	The room temperature is higher than normal.
The external fridge surface is warm.	The exterior walls can be warmer than room temp. It's normal while the compressor is transferring heat from the inside of the fridge.

## DISPOSAL OF OLD APPLIANCES AND PACKAGING

**Be sure to make any locks unusable, remove any doors and discard separately.**

**Warning - chemical hazard: do not allow children to play with the old appliance.**

**Contact your local authority for disposal procedures.**

- Before disposing of an old appliance, please make sure it is switched off and safe. Unplug the appliance and break any locks in order to avoid children becoming trapped.
- Please note: the refrigeration system contains gases and refrigerants which require specialist waste disposal. The valuable materials contained in a refrigerator can be recycled.
- You can contribute to environmental awareness by insisting on an appropriate non-polluting method of disposal.
- Do not allow pets or children to play with the packaging, and dispose of plastic bags safely.
- The cardboard can be broken or cut into smaller pieces and recycled. The wrapping covers are made of polyethylene. The polyethylene pads and padding don't contain fluorochloric hydrocarbons, and therefore they are recyclable.

### WARNING!

Risk of child entrapment. Before you throw away your old appliance:

- Take off the doors.
- Leave the shelves in place so that children may not easily climb inside.
- Cut the power cord as close to the appliance as you can.
- If this appliance, featuring a magnetic door seal, is to replace an older appliance having a spring lock (latch) on the door or lid, please make the spring lock unusable before you discard the old appliance. This will reduce the risk of trapping children or animals inside.

Gracias por elegir nuestra nevera. Antes de utilizar este electrodoméstico y para asegurar su mejor uso, por favor, lea detenidamente las instrucciones.

Las medidas de seguridad aquí indicadas reducen el riesgo de incendio, descarga eléctrica y lesiones cuando se siguen correctamente. Guarde el manual en un lugar seguro para futuras referencias, así como la garantía, el recibo de compra y la caja. Si procede, entregue estas instrucciones al futuro propietario del electrodoméstico. Siempre siga las instrucciones básicas de seguridad y las medidas de prevención de riesgos cuando utilice un electrodoméstico eléctrico. El fabricante no se responsabilizará de ningún daño derivado del incumplimiento de estas instrucciones por parte del usuario.

## INSTRUCCIONES DE SEGURIDAD

Al utilizar cualquier aparato eléctrico, deben observarse siempre las precauciones básicas de seguridad.

- Asegúrese de que el voltaje y la frecuencia del circuito corresponden a los indicados en la etiqueta de clasificación del aparato. Si este no fuese el caso, contacte con el servicio de postventa y no utilice la nevera.
- No conecte otros electrodomésticos simultáneamente en el mismo circuito eléctrico, puesto que puede sobrecargar el circuito y quemar los fusibles o causar un cortocircuito.
- Para evitar incendios y descargas eléctricas, no sumerja el cable, el enchufe, la base eléctrica o el cuerpo de la nevera. No exponga las conexiones eléctricas a ningún líquido.
- El cable de alimentación debería estar posicionado de tal manera que no haya riesgo de que alguien lo estire por accidente o se tropiece.
- No retuerza, doble, aplaste, presione o dañe el cable de alimentación y protéjalo de bordes afilados y del calor.
- Sujete el enchufe cuando desconecte la nevera, no tire del cable.
- No deje que el cable cuelgue del borde de una mesa o encimera. No permita que entre en contacto con ninguna fuente de calor ni superficies calientes.
- No levante u opere el aparato si el cable o el enchufe están dañados, si la nevera falla o si se le ha caído o lo ha dañado de algún modo.
- En caso de avería, contacte con el servicio de postventa.
- Un cable o enchufe dañados debe reemplazarlos exclusivamente personal autorizado para evitar riesgos.
- Asegúrese de que todas las conexiones eléctricas están limpias y secas antes de conectar la nevera.
- No conecte este electrodoméstico a un prolongador.
- Desconecte el aparato de la corriente eléctrica cuando no esté en uso, antes de limpiarlo o moverlo.
- Este aparato no está concebido para utilizarse mediante un temporizador externo o un sistema de control remoto separado.
- Este aparato está diseñado para uso exclusivamente doméstico.
- Este electrodoméstico no está concebido para uso comercial. No utilizar en el exterior.
- Use este frigorífico solo como se indica en el manual. Una instalación indebida así como el uso de accesorios no recomendados por el fabricante o cualquier otro uso no indicado podría causar fuego, descargas eléctricas o lesiones.
- El fabricante no se responsabiliza de ningún daño ocasionado por un uso indebido.
- La nevera no está destinada para uso por las personas con capacidad física, sensorial o mental reducida, falta de experiencias y conocimientos, a menos que se les haya dado la supervisión o instrucción en la relación con el uso del aparato por la persona responsable de su seguridad.
- Los niños deben ser supervisados para asegurar que no jueguen con el aparato. Supervíselos detenidamente cuando se vaya a utilizar cualquier aparato cerca de ellos.
- No utilice productos químicos, estropajos de acero o limpiadores abrasivos para limpiar el

exterior de su frigorífico para no dañar la superficie.

- Asegúrese de que todas las partes estén bien montadas antes de usarlo.
- Mantenga el aparato según se indica para asegurar que funciona correctamente.
- Si hay alguna avería, o si está el producto dañado, contacte con el servicio de postventa.
- Si observa que la nevera echa humo o huele raro, desconéctela de inmediato y llame al servicio técnico.
- Sitúela en una superficie lisa, rígida y estable, apartada de fuentes de luz solar directa o calor excesivo.
- No ponga la nevera cerca de fuentes de calor tales como radiadores, calefactores, fogones u otros electrodomésticos que generen calor.
- No ponga el aparato cerca de otros objetos que puedan dañarlos, tales como llamas (velas encendidas) u objetos que contengan agua (un florero o un vaso).
- Tenga cuidado para que no caigan objetos encima de la nevera ni entren líquidos por cualquier abertura.
- El fabricante no se responsabiliza de lesiones o daños a la propiedad si no se respetan los consejos y precauciones anteriores.
- Evite el sobrecalentamiento: Ponga el electrodoméstico en un lugar bien ventilado. Asegúrese de que el aire circula bien por la parte trasera de la nevera.
- Para asegurar un mejor funcionamiento, deje una distancia de unos 100mm a cada lado de la nevera y por detrás.
- Este aparato cuenta con un cable de alimentación corto para reducir el riesgo de que se enrede y de que la gente se tropiece. No se recomienda el uso de un prolongador.
- No contiene partes que puedan ser reparadas o reemplazadas por el usuario. No intente reemplazarlo usted mismo, contacte con el servicio de postventa.
- Antes del primer uso, es aconsejable esperar por lo menos 8 horas antes de conectar el aparato para permitir que el aceite vuelva a llegar al compresor.
- El aire debería de poder fluir alrededor de la nevera para evitar que se sobrecaliente. Para conseguir que ventile bien siga las instrucciones concernientes a la instalación.
- El aparato no debería estar cerca de radiadores o fogones.
- Asegúrese de que el enchufe queda accesible después de la instalación de la nevera.

## USO DIARIO

- No guarde comida caliente en la nevera.
- Cuando guarde comida precocinada siga las instrucciones del envase.

**¡ADVERTENCIA!** No utilice dispositivos mecánicos u otros medios para acelerar el proceso de descongelación.

- No utilice nunca un instrumento de metal para eliminar escarcha o limpiar la nevera. Si fuese necesario, utilice una espátula de plástico.
- Siga estrictamente las recomendaciones de almacenamiento. Consulte las instrucciones correspondientes.
- Si se desconecta o apaga la nevera o si se va la luz, debe esperar de 3 a 5 minutos antes de volverla a encender. Si intenta reiniciarla antes de este plazo, no arrancará.

## ADVERTENCIA: GAS REFRIGERANTE INFLAMABLE

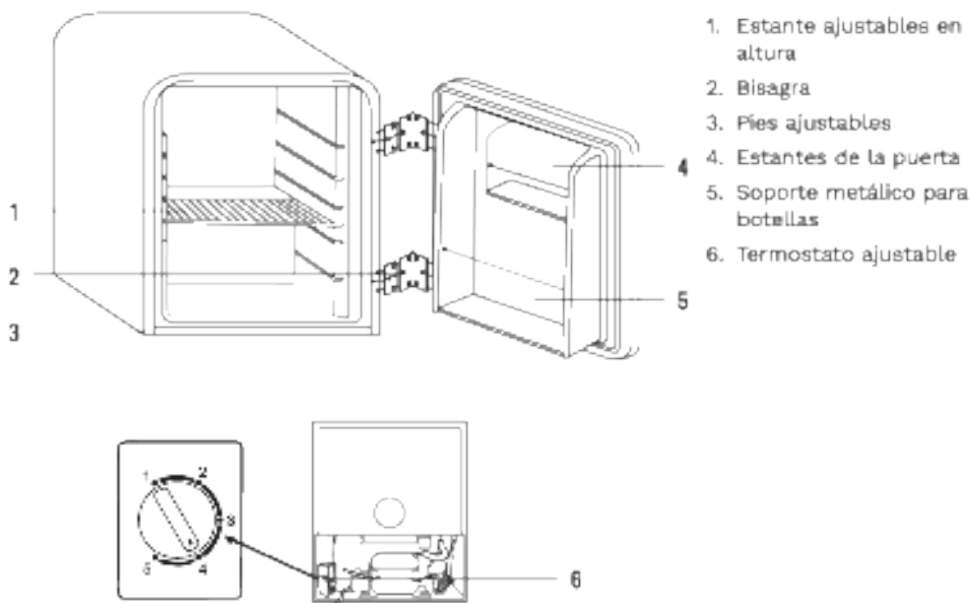
- ¡Peligro! Riesgo de fuego y explosión. El gas refrigerante es inflamable y únicamente puede manipulado por personal autorizado. No perforo el tubo refrigerante.
- ¡Precaución! Riesgo de fuego y explosión. Por favor, contacte con la autoridad municipal correspondiente para informarse sobre el desecho de los RAEE para su reutilización, reciclaje y su recuperación. Su distribuidor o administración local le informará gustosamente sobre las vías y posibilidades más eficaces y actuales para la eliminación respetuosa con el medioambiente de estos materiales.

El circuito refrigerante contiene el gas refrigerante isobutano (R600a), sin embargo, a pesar de tener una gran compatibilidad, medioambiental es inflamable. Asegúrese de que durante el transporte e instalación del electrodoméstico, no se dañe ninguna parte del circuito.

**ADVERTENCIA:** ¡No dañe el circuito refrigerante! ¡Nunca utilice un aparato que tenga el circuito refrigerante dañado! Si el circuito se estropea, no lo acerque a ninguna fuente de calor ni de ignición ni a fuego. Ventile a fondo la habitación en que se encuentra.

- Es peligroso que personal no autorizado intente reparar el aparato.
- La habitación en la que se vaya a tener la nevera debería ser de al menos 1m<sup>3</sup> por cada 8g de refrigerante. La cantidad y el tipo de refrigerante vienen indicados en las Especificaciones Técnicas.
- No utilice otros aparatos eléctricos (como heladeras) dentro del frigorífico, salvo que lo haya aprobado para este uso el fabricante.
- No guarde sustancias explosivas tales como latas de aerosol con propulsor inflamable en este aparato.
- Asegúrese de que durante el transporte e instalación del electrodoméstico, no se dañe ninguna parte del circuito refrigerante.
- Evite llamas abiertas y fuentes de ignición.
- Ventile a fondo la habitación en que se encuentra.
- Es peligroso alterar las especificaciones o modificar este producto de cualquier manera.
- Cualquier daño al cable de alimentación puede causar un cortocircuito, fuego o descargas eléctricas.
- Este electrodoméstico es pesado. Vaya con cuidado cuando lo mueva. Para evitar dolores de espalda o cualquier otro tipo de lesión, pida ayuda a otra persona o considere ayuda mecánica a la hora de instalarlo.
- Evite la exposición prolongada de la nevera a la luz solar.
- Este electrodoméstico es de uso exclusivamente doméstico.
- Cualquier componente eléctrico (enchufe, cable de alimentación, compresor, etc.) debe reemplazarlo personal autorizado.
- **NO UTILICE UN PROLONGADOR.** Use exclusivamente la toma de la pared. No conecte el frigorífico a una toma en la que hayan conectados otros aparatos.
- Asegúrese de que el cable no está aplastado ni dañado por la parte trasera del electrodoméstico ya que podría sobrecalentarse y provocar un incendio.

## LISTA DE PARTES





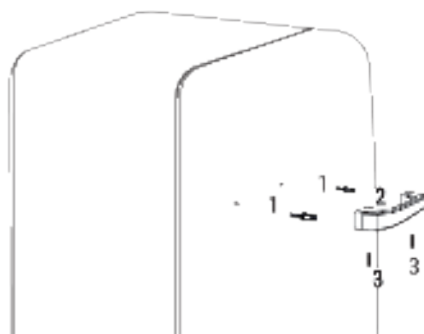
## DESEMBALAJE

- Este producto se ha embalado para protegerlo de daños durante el transporte. Retire todo el material de embalaje de alrededor y de dentro del electrodoméstico, pero no retire la espuma de aislamiento de alrededor de las tuberías en la parte trasera. Guarde la caja de cartón original y los materiales en un lugar seguro. Ayudará a prevenir daños si hubiese que transportar el material en el futuro y puede utilizarlo para almacenar el frigorífico cuando no lo esté gastando. Dado el caso en que tuviese que desechar el cartón, por favor, recicle todo lo que le sea posible.
- Los envoltorios de plástico pueden suponer un riesgo de asfixia para mascotas, bebés y niños, así que, por motivos de seguridad, tírelos a la basura de reciclaje.
- Compruebe que le han llegado todas las partes indicadas en las páginas anteriores.
- Desenrolle por completo el cable e inspecciónelo para detectar cualquier posible daño. No utilice el electrodoméstico si la nevera o el cable de alimentación tuviesen algún daño o no funcionasen correctamente. En caso de daño, consulte con nuestro servicio de postventa para que le reparen o sustituyan el producto.
- Asegúrese de que el frigorífico está desconectado de la corriente antes de limpiar su interior y todos sus accesorios internos con agua templada, un trapo suave y jabón neutro. Esto eliminará el polvo y ayudará a deshacerse del típico olor a producto nuevo. Después séquelo bien. Importante: no emplee detergentes o polvos abrasivos que dañarán el acabado.

## INSTALACIÓN DEL TIRADOR DE LA PUERTA

La manivela viene desmontada debido a restricciones del empaquetado. Se puede instalar fácilmente siguiendo estas instrucciones.

- Fije los dos tornillos (1) a la puerta.
- Ponga la manivela de metal (2) en los dos tornillos que acaba de instalar y haga que coincidan con los dos agujeros en la manivela.
- Apriete los dos tornillos (3) en la parte inferior de la manivela.



## INSTALACIÓN DE LA NEVERA

Antes de instalar su nevera nueva, lea detenidamente el manual y siga estas instrucciones:

1. Ponga la nevera en un suelo estable y nivelado para que haga menos ruido. Asegúrese de que el suelo es lo suficientemente resistente para soportar su peso cuando este completamente llena.
2. Si fuese a poner la nevera sobre una alfombra, colóquela coloque un tablero de madera entre la alfombra y la nevera. Tenga en cuenta que poner la nevera sobre una alfombra puede causar que el calor que emite el compresor descolore la alfombra.
3. Este electrodoméstico está diseñado para sujetarse por sí mismo y no para ir empotrado o sobre un soporte.
4. No incline la nevera más de 45° cuando vaya a moverla.
5. Evite las zonas donde el electrodoméstico estaría expuesto a la luz solar, a fuentes de

calor (fogones, estufa, radiador, etc.) temperaturas ambientes extremadamente bajas o con mucha humedad. Instalarlo en la zona más fresca de la habitación ahorrará energía.

**¡Manéjelo con cuidado!** No aplique fuerza sobre ninguna parte como el condensador o la puerta. Los rieles metálicos debajo del frigorífico pueden tener bordes afilados, así que siempre desempaquételo con cuidado. No arrastre la nevera, póngalo cuidadosamente en su sitio para que no le raye el suelo.

#### Requisitos de espacio

- Instale la nevera de tal modo que cuente con suficiente espacio para abrir la puerta.
- Asegúrese de que el aire puede circular libremente por la parte trasera de la nevera para que el compresor y el condensador se puedan enfriar. Deje por lo menos 100mm de espacio en la parte trasera y 50mm a los lados.

#### Nivelación

- El electrodoméstico debe estar nivelado para que funcione correctamente. Si no está nivelada correctamente, las puertas y la alineación de sellado magnético no estarán cubiertos correctamente.
- Para nivelar la nevera, ajuste uno o los dos pies niveladores de su base.



#### AJUSTES DEL TERMOSTATO

• Para arrancar la nevera, gire la rueda del termostato hasta la temperatura deseada. Puede ajustar la temperatura girando la perilla de control del termostato que se encuentra en la parte superior del interior de la nevera.

• Los ajustes 0(OFF) - 5 (MAX) regulan la temperatura interior del frigorífico.

Ajuste 0 (OFF): No operativo. (Por favor, presione la perilla y gírela hasta el 0 para apagarlo.)

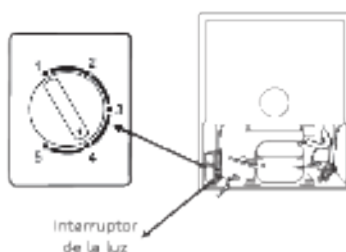
Ajuste 1 (Min.): Valor más bajo (Temperatura interna más cálida).

Ajuste 5 (Max.): Valor más alto (Temperatura interna más fría).

**NOTA:** La temperatura del frigorífico variará dependiendo de la cantidad de latas/botellas guardadas en el interior y de la frecuencia con que se abra la puerta. La temperatura interna varía en diferentes partes del interior de la nevera. La parte trasera es la más fría. Por favor, mantenga las latas y las botellas alejadas de la parte trasera de la nevera para evitar que se congelen y facilitar la circulación del aire frío.

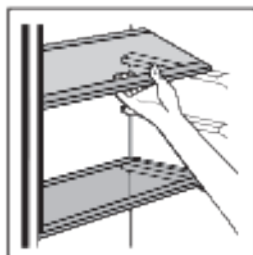
**NOTA:** La posición 0 (Apagado) del termostato indica que el frigorífico está apagado a pesar de que todavía se le suministra energía. Al girar la perilla del termostato hacia la izquierda, la nevera se enchufará automáticamente. Cuando la nevera no se vaya a utilizar durante un periodo de tiempo prolongado, desconecte el enchufe y deje la puerta entreabierta.

Parte trasera



## ALMACENAMIENTO DE LA COMIDA

1. El compartimento del frigorífico es adecuado para la conservación de comida fresca a corto plazo. La temperatura interna varía dependiendo de la cantidad de comida almacenada, de la temperatura ambiente y de la frecuencia con que se abra la puerta. Ajuste el termostato según corresponda.
2. Para una buena eficiencia de enfriamiento y ahorrar energía, no deje la nevera abierta mucho tiempo ni demasiado a menudo. No sobrecargue la nevera y deje bastante espacio entre los alimentos para que pueda fluir el aire frío. No bloquee los conductos de ventilación.
3. Las estanterías se pueden ajustar a diferentes alturas dependiendo de sus necesidades.



## CONSEJOS PARA EL AHORRO DE ENERGÍA

- Coloque la nevera en la parte más fresca de la habitación, alejada de electrodomésticos que produzcan calor y alejada de la luz solar directa.
- Espere a que la comida y las bebidas calientes se enfríen antes de introducirlas en la nevera.
- No sobrecargue la nevera ya que esto provoca que el compresor tenga que funcionar más tiempo.
- Envuelva bien la comida y limpie y seque los envases antes de meterlos en la nevera para evitar la formación de escarcha.
- No forre ningún compartimento de la nevera con papel de aluminio, papel vegetal, o servilletas de papel. Cualquier forro interfiere con la circulación, lo que reduce la eficiencia.
- Guarde la comida de tal manera que el aire pueda fluir a su alrededor.
- No deje la puerta de la nevera abierta durante más tiempo del necesario.
- Asegúrese de que la comida no toca la parte trasera de los compartimentos.
- No configure el termostato a una temperatura extremadamente baja.

## ¿SE VA DE VACACIONES?

- **Vacaciones cortas:** Deje la nevera en funcionamiento durante vacaciones inferiores a un mes.
- **Vacaciones largas:** Si no va a utilizar la nevera por periodos de tiempo prolongados, retire toda la comida y desconecte el enchufe. Limpie y seque a fondo el interior. Para evitar olores y la aparición de moho, deje la puerta ligeramente abierta (bloquéela para que no se cierre si fuese necesario). Restrinja el acceso de niños a la habitación mientras la nevera permanezca abierta para evitar que se queden atrapados.



## MOVER LA NEVERA

1. Desconecte la nevera y retire toda la comida de su interior.
  2. Cierre y pegue las puertas y el cable de alimentación con cinta adhesiva a la parte posterior de la nevera. Saque todas las partes desmontables, envuélvalas bien y péguelas con cinta adhesiva para que no se muevan durante la mudanza.
  3. Según el modelo, levante la parte delantera de la nevera para que ruede más fácilmente o atornille hacia arriba las patas niveladoras para que no rayen el suelo.
- ¡CUIDADO!** Nunca levante la nevera por la puerta.
4. Proteja el exterior del producto con una manta o un elemento suave y acolchado y asegúrese de que la nevera permanece segura y en posición vertical mientras la transporta.

## LIMPIEZA Y MANTENIMIENTO

Desconecte el electrodoméstico de la corriente antes de limpiarlo.

### LIMPIEZA INTERNA

- No vierta agua sobre el electrodoméstico.
- Limpie la cavidad regularmente utilizando una solución a base de bicarbonato y agua tibia (5ml/0.5l de agua).
- Limpie los accesorios por separado con agua y jabón. No los ponga en el lavavajillas.
- No utilice productos, detergentes o jabones abrasivos.
- Después de limpiarlo, aclárelo con agua limpia y séquelo con cuidado.
- Cuando haya acabado de limpiar toda la nevera, vuelva a conectar el enchufe con las manos secas.

### LIMPIEZA EXTERNA

- Limpie la parte exterior con agua templada y jabón. NO utilice productos abrasivos.
- Hay elementos punzantes en las partes inferior del producto, por favor vaya con cuidado al limpiarlo.
- Una o dos veces al año, quite el polvo de la parte trasera del frigorífico y del compresor en la parte trasera con un cepillo o un aspirador. Una acumulación de polvo puede afectar negativamente el rendimiento del electrodoméstico y causar un aumento en el consumo de energía.

### ADVERTENCIA

- Nunca limpie el aparato con productos de limpieza ácidos, abrasivos, aceitosos, con bases disolventes, esponjas abrasivas o estropajos. Nunca utilice fluidos inflamables o sprays para limpiar ya que los gases que emiten estas sustancias pueden causar riesgo de incendio o explosión.
- Nunca limpie el electrodoméstico con un limpiador a vapor. ¡La humedad se podría acumular en los componentes eléctricos y ocasionar peligro de descarga eléctrica! Vapores calientes pueden derivar en el daño de las partes de plástico.
- El electrodoméstico debe estar completamente seco antes de volverlo a poner en funcionamiento.
- Aceites esenciales y disolventes orgánicos pueden atacar las partes de plástico (como, por ejemplo, zumo de limón o el zumo de la peladura de una naranja) o limpiadores que contengan ácido acético. No permita que estas sustancias entren en contacto con ninguna parte del electrodoméstico.

## RESOLUCIÓN DE PROBLEMAS

PROBLEMA	CAUSA/SOLUCIÓN
La nevera no funciona	No está encendida. Conéctela a un enchufe con toma tierra.
	No hay corriente. Compruebe que el enchufe no está defectuoso.
	Se ha fundido el fusible/se ha disparado el disyuntor. Reemplace el fusible o reajuste el disyuntor.
La temperatura dentro del aparato no es lo suficientemente fría.	Cerciérese de que el voltaje es el correcto para el electrodoméstico.
	Gran cantidad de comida caliente añadida recientemente. Deje pasar varias horas para que vuelva a su temperatura normal.
	Los controles no están ajustados correctamente para las condiciones del entorno.
	Compruebe que el aparato no esté expuesto a la luz solar directa o demasiado cerca de una fuente de calor.
	Compruebe que la temperatura ambiente está dentro de los límites de funcionamiento del aparato.
La temperatura dentro de la nevera es demasiado baja.	¿Las puertas del aparato se abren con frecuencia? Una vez abierta la puerta, la humedad que se encuentra en el aire de la habitación entra en el aparato, especialmente si los niveles de humedad de la habitación son muy altos. Cuanto más se abra la puerta en condiciones húmedas, mayores serán las posibilidades de que se acumule humedad.
	La puerta no está bien cerrada.
	La junta de goma no está bien sellada.
	La nevera no cuenta con suficiente espacio para ventilar por detrás y por los lados.
Condensación en el interior/exterior de las paredes del frigorífico.	Aumente la temp. ajustando el termostato a una configuración más baja. La potencia más alta solo debería usarse como un modo de enfriamiento rápido y solo debería configurarse durante dos horas antes de que se vaya a guardar una gran cantidad de comida. Si no lo hace, la temp. podría caer por debajo de 0°C ya que el compresor estaría en continuo funcionamiento.
	Climas cálidos y húmedos aumentan la formación de escarcha en el interior. Es normal.
Mal olor	Compruebe que la comida y las bebidas que tiene en la nevera no están caducadas y que estén correctamente envasadas. Si no lo estuviese, tírela o envíese bien.
	Busque que no se haya derramado nada. Cualquier derrame que se haya dejado desatendido y no se haya limpiado puede ocasionar olores indeseados.
	Asegúrese de que no hay ningún objeto obstruyendo el cierre de la puerta.
Las puertas no se cierran bien.	Compruebe que tanto los estantes como los compartimentos estén bien encajados en su sitio.
	Verifique que la junta de la puerta no esté deformada ni rasgada.
	Cerciérese de que el electrodoméstico esté nivelado.

	Compruebe que el aparato se encuentra en una superficie plana, nivelada y estable.
	Mira alrededor de la nevera y asegúrese de que no está tocando otros objetos.
Ruidos raras.	Ruido de gorgeo y burbujes: se produce por el paso del líquido refrigerante por las tuberías del sistema. Es normal. Sonido de agua fluyendo: Es normal, se trata del agua fluyendo por el desagüe durante el proceso de descongelado. Si el electrodoméstico está funcionando ruidosamente (ruido de compresor): Es normal, indica que el compresor está funcionando con normalidad. Como se está energizando el compresor, puede que haga ruido durante un corto periodo de tiempo. La contracción y expansión del interior de las paredes puede ocasionar sonidos de estallidos y chasquidos.
La puerta no se abre.	Si acaba de abrir la puerta, déjala algunos minutos para que la presión del aire se equalice antes de volverlo a intentar. La temperatura está configurada demasiado baja: seccione una temperatura más alta. La puerta está abierta o algo está obstruyendo el cierre.
El compresor funciona todo el rato.	Las juntas de goma están desgastadas, sueltas o estropeadas. Se ha añadido una gran cantidad de alimentos a la nevera. La temperatura de la habitación es más alta de lo normal.
La superficie externa de la nevera está caliente.	Las paredes exteriores pueden estar más calientes que la temperatura de la habitación. Es normal mientras el compresor trabaje para extraer calor del interior de la nevera.

## ELIMINACIÓN DEL EMBALAJE Y DESGUACE DE LOS APARATOS USADOS

**Asegúrese de que todos los cierres quedan inutilizables, retire la(s) puerta(s) y deséchelos por separado.**

**Advertencia – riesgos químicos: no permita que los niños jueguen con electrodomésticos viejos. Contacte con su autoridad municipal correspondiente para informarse sobre el procedimiento de desguace.**

- Antes de deshacerse de un electrodoméstico viejo, por favor, asegúrese de que está apagado y es seguro. Desconecte el aparato y rompa cualquier cierre para evitar que los niños queden atrapados.
- Por favor, tenga en cuenta: el sistema de refrigeración contiene gas y refrigerantes que requieren de una gestión de residuos especializada.
- Puede contribuir a la conciencia medioambiental insistiendo en métodos de desecho apropiados y no contaminantes.
- No permita que mascotas y niños jueguen con el embalaje y deshágase de las bolsas de plástico de manera segura.
- Puede romper el cartón o cortarlo en trozos más pequeños y reciclarlo. Los envoltorios están fabricados en polietileno. Las almohadillas y el relleno de polietileno no contienen hidrocarburos fluorados y como tal son adecuados para el reciclaje.

**¡ADVERTENCIA!** Para evitar que los niños se queden encerrados dentro al jugar, si se utiliza este aparato para sustituir a otro que cuenta con cierre:

- Rompa o quite dicho cierre como medida de seguridad antes de guardarlo.
- Retire las puertas.
- Deje los estantes en su sitio para que los niños no puedan escalarlo con facilidad.
- Corte el cable de conexión tan cerca del electrodoméstico como le sea posible.
- Si este aparato, con un sello magnético en la puerta, va a reemplazar un aparato viejo que tiene un seguro de resorte en la puerta o tapa, por favor haga que el seguro de resorte no se pueda usar antes de desechar el aparato viejo. Esto reducirá el riesgo de que los niños o los animales queden atrapados en el interior.

Obrigado por escolher o nosso frigorífico. Antes de utilizar este eletrodoméstico e de modo a assegurar a sua melhor utilização, leia atentamente as instruções.

As medidas de segurança aqui indicadas, quando seguidas corretamente, reduzem o risco de incêndio, de descarga elétrica e de lesões. Guarde o manual num lugar seguro, para referência futura, assim como a garantia, o recibo de compra e a caixa. Se for conveniente, entregue estas instruções ao futuro proprietário do eletrodoméstico. Quando da utilização do eletrodoméstico elétrico, siga sempre as instruções básicas de segurança e as medidas de prevenção de riscos. O fabricante não se responsabilizará por qualquer dano resultante do incumprimento destas instruções por parte do utilizador.

## INSTRUÇÕES DE SEGURANÇA

---

Ao utilizar qualquer dispositivo elétrico, dever-se-ão ter sempre em conta as precauções básicas de segurança.

- Certifique-se de que a voltagem e a frequência do circuito correspondem aos indicados na etiqueta de classificação do dispositivo. Se não for o caso, contacte o serviço pós-venda e não utilize o frigorífico.
- Não ligue outros eletrodomésticos simultaneamente no mesmo circuito elétrico, uma vez que pode sobrecarregar o circuito e queimar os fusíveis ou causar um curto-circuito.
- Para evitar incêndios e descargas elétricas, não submerja o cabo, a tomada, a base elétrica ou o corpo do frigorífico. Não exponha as ligações elétricas a nenhum líquido.
- O cabo de alimentação deve estar posicionado de maneira a que não haja risco de alguém esticar por acidente ou tropeçar.
- Não torça, dobre, esmague, pressione nem danifique o cabo de alimentação e proteja-o de beiras afiadas e do calor.
- Segure a tomada quando desligar o frigorífico, não puxe o cabo.
- Não deixe o cabo pendurado na extremidade de uma mesa ou bancada. Não permita que entre em contacto com fontes de calor nem superfícies quentes.
- Não levante nem utilize o aparelho se o cabo ou a tomada estiverem danificados, se o frigorífico falhar ou se tiver caído ou se o tiver danificado de algum modo.
- Em caso de avaria, contacte o serviço pós-venda.
- Um cabo ou tomada danificados devem ser substituídos exclusivamente por pessoal autorizado para evitar riscos.
- Assegure-se de que todas as ligações elétricas estão limpas e secas antes de ligar o frigorífico.
- Não ligue este eletrodoméstico a um prolongador.
- Desligue o aparelho da corrente elétrica quando não estiver em utilização, antes de limpar ou mover.
- Este aparelho não foi concebido para ser utilizado mediante um temporizador externo ou um sistema de controlo remoto separado.
- Este aparelho foi concebido para utilização exclusivamente doméstica.
- Este eletrodoméstico não foi concebido para utilização comercial. Não utilizar no exterior.
- Utilize este frigorífico apenas conforme indicado no manual. Uma instalação indevida, assim como o uso de acessórios não recomendados pelo fabricante ou qualquer outro uso não indicado, pode causar um incêndio, descargas elétricas ou lesões.
- O fabricante não se responsabiliza por nenhum dano ocasionado por uma utilização indevida.
- O frigorífico não se destina à utilização por pessoas com capacidade física, sensorial ou mental reduzida, falta de experiência e conhecimentos, a menos que lhes tenha sido dada supervisão ou instrução em relação à utilização do aparelho por parte da pessoa responsável pela sua segurança.
- As crianças devem ser supervisionadas para assegurar que não brincam com o dispositivo. Supervisione-as atentamente quando for utilizar qualquer aparelho perto delas.
- Não utilize produtos químicos, esfregões de aço ou produtos de limpeza abrasivos para limpar o exterior do seu frigorífico para não danificar a superfície.



- **Assegure-se de que todas as peças estão bem montadas antes de o utilizar.**
- Mantenha o aparelho conforme indicado para assegurar que funciona corretamente.
- Se houver alguma avaria ou se o produto estiver danificado, contacte o serviço pós-venda.
- Se observar que o frigorífico deita fumo ou tem um cheiro estranho, desligue-o imediatamente e chame o serviço técnico.
- Coloque-o numa superfície lisa, rígida e estável, afastado de fontes de luz solar direta ou de calor excessivo.
- Não coloque o frigorífico perto de fontes de calor como radiadores, aquecedores, fogões ou outros eletrodomésticos que gerem calor.
- Não coloque o aparelho perto de outros objetos que possam danificar, como chamas (velas acesas) ou objetos que contenham água (um vaso ou um copo).
- Tenha cuidado para que não caiam objetos em cima do frigorífico, nem entrem líquidos por qualquer abertura.
- O fabricante não se responsabiliza por lesões ou danos à propriedade caso não sejam respeitados os conselhos e precauções anteriores.
- Evite o sobreaquecimento: Coloque o eletrodoméstico num lugar bem ventilado. Assegure-se de que o ar circula bem pela parte traseira do frigorífico.
- Para assegurar um melhor funcionamento, deixe uma distância de uns 100 mm de cada lado do frigorífico e atrás.
- Este aparelho conta com um cabo de alimentação curto para reduzir o risco de nós e de as pessoas tropeçarem. Não se recomenda a utilização de um prolongador.
- Não contém peças que possam ser reparadas ou substituídas pelo utilizador. Não tente substituí-lo, contacte o serviço pós-venda.
- Antes da primeira utilização, é aconselhável esperar pelo menos 8 horas antes de ligar o aparelho para permitir que o óleo volte a chegar ao compressor.
- O ar deve poder fluir ao redor do frigorífico para evitar que sobreaqueça. Para conseguir que ventile bem, siga as instruções respeitantes à instalação.
- O aparelho não deve estar próximo de radiadores ou fogões.
- Assegure-se de que a tomada fica acessível depois da instalação do frigorífico.

## UTILIZAÇÃO DIÁRIA

- Não guarde comida quente no frigorífico.
- Quando guardar comida pré-cozinhada, siga as instruções da embalagem.

**ADVERTÊNCIA!** Não utilize dispositivos mecânicos ou outros meios para acelerar o processo de descongelamento.

- Nunca utilize um instrumento de metal para eliminar gelo ou limpar o frigorífico. Se for necessário, utilize uma espátula de plástico.
- Siga estritamente as recomendações de armazenamento. Consulte as instruções correspondentes.
- Se frigorífico se desligar ou apagar ou se a luz for abaixo, deve esperar 3 a 5 minutos antes de voltar a ligá-lo. Se tenta reiniciá-lo antes deste prazo, não arrancará.

## ADVERTÊNCIA: GÁS REFRIGERANTE INFLAMÁVEL

- Perigo! Risco de incêndio e explosão. O gás refrigerante é inflamável e só pode manipulado por pessoal autorizado. Não perfure o tubo refrigerante.
- Precaução! Risco de incêndio e explosão. Contacte a autoridade municipal correspondente para se informar sobre a eliminação dos REEE para a sua reutilização, reciclagem e a sua recuperação. O seu distribuidor ou administração local terá todo o gosto em informá-lo sobre as vias e possibilidades mais eficazes e atuais para a eliminação destes materiais respeitadoras do meio ambiente.

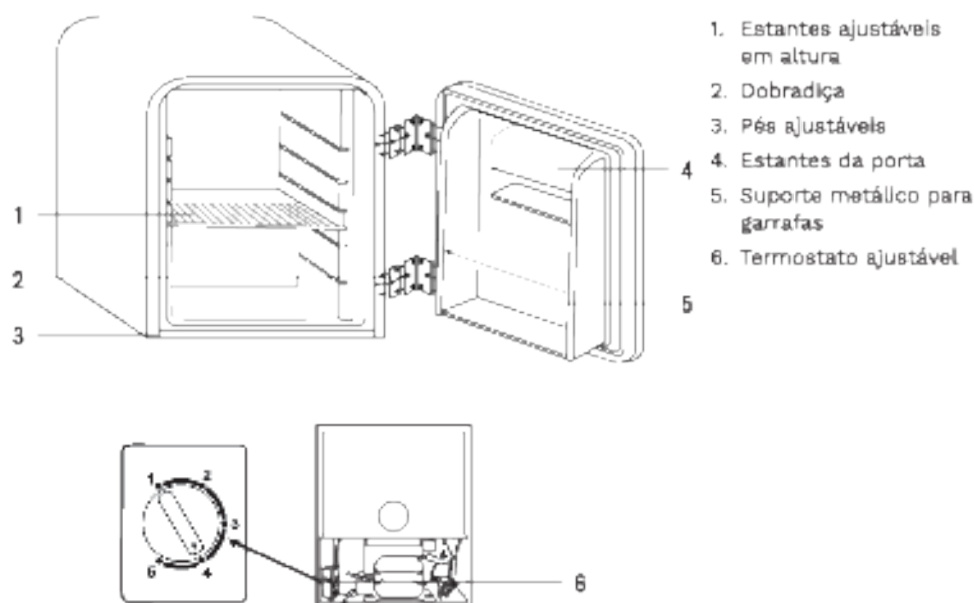
O circuito refrigerante contém o gás refrigerante isobutano (R600a). No entanto, apesar de ter uma grande compatibilidade ambiental, é inflamável. Assegure-se de que durante o transporte e instalação do eletrodoméstico, não se danifica nenhuma peça do circuito.

**ADVERTÊNCIA:** Não danifique o circuito refrigerante! Nunca utilize um aparelho que tenha o circuito refrigerante danificado! Se o circuito se estragar, não o aproxime a nenhuma fonte de calor nem de ignição nem a fogos. Ventile em profundidade a divisão em que se encontra.

- A tentativa de reparação do aparelho por pessoal não autorizado é um ato perigoso.

- A divisão na qual vai ficar o frigorífico deve ter, pelo menos, 1 m<sup>3</sup> por cada 8 g de refrigerante. A quantidade e o tipo de refrigerante estão indicados nas Especificações Técnicas.
- Não utilize outros aparelhos elétricos (como geladeiras) dentro do frigorífico, salvo quando aprovado pelo fabricante para esta utilização.
- Não guarde substâncias explosivas como latas de aerossol com propulsor inflamável neste aparelho.
- Assegure-se de que durante o transporte e instalação do eletrodoméstico, não se danifica nenhuma peça do circuito refrigerante.
- Evite chamas abertas e fontes de ignição.
- Ventile em profundidade a divisão em que se encontra.
- A alteração das especificações ou modificação deste produto de qualquer maneira é um ato perigoso.
- Qualquer dano ao cabo de alimentação pode causar um curto-circuito, incêndio ou descargas elétricas.
- Este eletrodoméstico é pesado. Proceda com cuidado ao movê-lo. Para evitar dores de costas ou qualquer outro tipo de lesão, peça ajuda a outra pessoa ou considere obter ajuda mecânica no momento de instalar.
- Evite a exposição prolongada do frigorífico à luz solar.
- Este eletrodoméstico é de uso exclusivamente doméstico.
- Qualquer componente elétrico (tomada, cabo de alimentação, compressor, etc.) deve ser substituído por pessoal autorizado.
- NÃO UTILIZE UM PROLONGADOR. Use exclusivamente a tomada da parede. Não ligue o frigorífico a uma tomada na qual estejam ligados outros aparelhos.
- Assegure-se de que o cabo não está esmagado nem danificado pela parte traseira do eletrodoméstico, uma vez que pode sobreaquecer e provocar um incêndio.

## LISTA DE PEÇAS



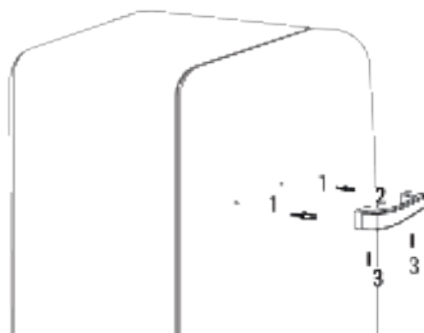
## DESEMBALAR

- Este produto foi embalado para o proteger de danos durante o transporte. Retire todo o material de embalagem em redor e de dentro do eletrodoméstico, mas não retire a espuma de isolamento em redor das tubulações na parte traseira. Guarde a caixa de cartão original e os materiais num lugar seguro. Ajudará a prevenir danos se for preciso transportar o material no futuro e pode utilizá-lo para armazenar o frigorífico quando não o estiver a usar. No caso de ser necessário deitar fora o cartão, recicle tudo o que for possível.
- As embalagens de plástico podem representar um risco de asfixia para animais de estimação, bebés e crianças, pelo que, por motivos de segurança, os deve deitar no lixo de reciclagem.
- Verifique se chegaram todas as peças indicadas nas páginas anteriores.
- Desenrole por completo o cabo e procure qualquer possível dano. Não utilize o eletrodoméstico se o frigorífico ou o cabo de alimentação tiverem algum dano ou não funcionarem corretamente. Em caso de dano, consulte o nosso serviço pós-venda para que reparem ou substituam o produto.
- Assegure-se de que o frigorífico está desligado da corrente antes de limpar o seu interior e todos os seus acessórios internos com água morna, um pano suave e sabão neutro. Isto eliminará o pó e ajudará a desfazer-se do típico cheiro de produto novo. Depois seque-o bem. Importante: não utilize detergentes ou pós abrasivos que irão danificar o acabamento.

## INSTALAÇÃO DO PUXADOR DA PORTA

A manivela vem desmontada devido a restrições do empacotamento. Pode ser instalada facilmente seguindo estas instruções.

- Fixe os dois parafusos (1) à porta.
- Ponha a manivela de metal (2) nos dois parafusos que acabou de instalar e faça com que coincidam com os dois buracos na manivela.
- Aperte os dois parafusos (3) na parte inferior da manivela.



## INSTALAÇÃO DO FRIGORÍFICO

Antes de instalar o seu frigorífico novo, leia atentamente o manual e siga estas instruções:

1. Coloque o frigorífico num piso estável e nivelado para que faça menos ruído. Assegure-se de que o piso é suficientemente resistente para suportar o seu peso quando estiver completamente cheio.
2. Se colocar o frigorífico sobre um tapete, coloque um tabuleiro de madeira entre o tapete e o frigorífico. Tenha em conta que colocar o frigorífico sobre um tapete pode fazer com que o calor emitido pelo compressor descolore o tapete.
3. Este eletrodoméstico foi concebido para se segurar sozinho e não para ser embutido ou colocado sobre um suporte.
4. Não incline o frigorífico mais de 45° quando o mover.
5. Evite as zonas onde o eletrodoméstico estaria exposto à luz solar, a fontes de calor (fogões, aquecedores, radiador, etc.) temperaturas ambientais extremamente baixas ou com muita

humidade. Instálalo na zona mais fresca da divisão irá poupar energia.

- **Manuseie com cuidado!** Não aplique força sobre peças como o condensador ou a porta. Os trilhos metálicos debaixo do frigorífico podem ter bordas afiadas, pelo que deve desempacotar sempre com cuidado. Não arraste o frigorífico, coloque-o cuidadosamente no sítio para que não risque o piso.

#### Requisitos de espaço

- Instale o frigorífico de modo a contar com suficiente espaço para abrir a porta.
- Assegure-se de que o ar pode circular livremente pela parte traseira do frigorífico para que o compressor e o condensador possam arrefecer. Deixe, pelo menos, 100 mm de espaço na parte traseira e 50 mm nos lados.

#### Nívelação

- O eletrodoméstico deve estar nivelado para funcionar corretamente. Se não estiver corretamente nivelado, as portas e o alinhamento de selagem magnética não estarão corretamente cobertos.
- Para nivelar o frigorífico, ajuste um ou os dois pés niveladores da sua base.



#### AJUSTES DO TERMOSTATO

- Para iniciar o frigorífico, vire a roda do termostato até à temperatura desejada. Pode ajustar a temperatura virando o dispositivo de controlo do termostato que se encontra na parte superior do interior do frigorífico.

- Os ajustes 0 (OFF) - 5 (MAX) regulam a temperatura interior do frigorífico.

Ajuste 0 (OFF): Não funciona. (Prima o dispositivo e vire-o até 0 para o desligar.)

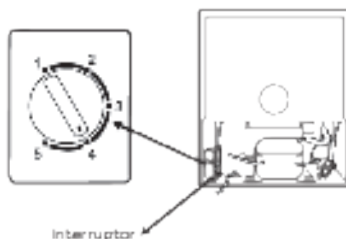
Ajuste 1 (Min.): Valor mais baixo (Temperatura interna mais quente).

Ajuste 5 (Max.): Valor mais alto (Temperatura interna mais fria).

**NOTA:** A temperatura do frigorífico irá variar dependendo da quantidade de latas/garrafas guardadas no interior e da frequência com que a porta seja aberta. A temperatura interna varia em diferentes partes do interior do frigorífico. A parte traseira é a mais fria. Mantenha as latas e as garrafas afastadas da parte traseira do frigorífico para evitar que se congelem e facilitar a circulação do ar frio.

**NOTA:** A posição 0 (Desligado) do termostato indica que o frigorífico está desligado apesar de ainda lhe ser fornecida energia. Ao virar o dispositivo do termostato para a esquerda, o frigorífico ligar-se-á automaticamente. Quando o frigorífico não for utilizado durante um período de tempo prolongado, desligue a tomada e deixe a porta entreaberta.

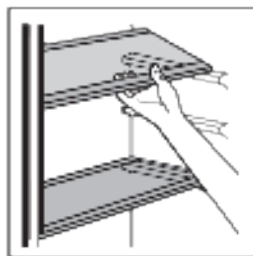
Parte traseira





## ARMAZENAMENTO DA COMIDA

1. O compartimento do frigorífico é adequado para a conservação de comida fresca a curto prazo. A temperatura interna varia dependendo da quantidade de comida armazenada, da temperatura ambiente e da frequência com que a porta seja aberta. Ajuste o termostato conforme corresponda.
2. Para uma boa eficiência de arrefecimento e poupança de energia, não deixe o frigorífico aberto muito tempo nem com demasiada frequência. Não sobrecarregue o frigorífico e deixe bastante espaço entre os alimentos para que o ar frio possa fluir. Não bloqueie as condutas de ventilação.
3. As estantes podem ser ajustadas a diferentes alturas dependendo das suas necessidades.



## CONSELHOS PARA A POUPANÇA DE ENERGIA

- Coloque o frigorífico na parte mais fresca da divisão, afastado de eletrodomésticos que produzam calor e afastado da luz solar direta.
- Espere que a comida e as bebidas quentes arrefeçam antes de as introduzir no frigorífico.
- Não sobrecarregue o frigorífico, uma vez que isso faz com que o compressor tenha de funcionar mais tempo.
- Embale bem a comida e limpe e seque as embalagens antes de as meter no frigorífico para evitar a formação de gelo.
- Não forme nenhum compartimento do frigorífico com papel de alumínio, papel vegetal ou guardanapos de papel. Qualquer forro interfere com a circulação, o que reduz a eficiência.
- Guarde a comida de maneira a que o ar possa fluir ao seu redor.
- Não deixe a porta do frigorífico aberta durante mais tempo que o necessário.
- Assegure-se de que a comida não toca na parte traseira dos compartimentos.
- Não configure o termostato para uma temperatura extremamente baixa.

## VAI DE FÉRIAS?

- **Férias curtas:** Deixe o frigorífico em funcionamento durante férias inferiores a um mês.
- **Férias longas:** Se não vai utilizar o frigorífico por períodos de tempo prolongados, retire toda a comida e desligue a tomada. Limpe e seque o interior em profundidade. Para evitar cheiros e o aparecimento de mofo, deixe a porta ligeiramente aberta (bloqueie-a para que não se feche, se for necessário). Restrinja o acesso de crianças à divisão enquanto o frigorífico permanecer aberto para evitar que fiquem presas.

## MOVER O FRIGORÍFICO

1. Desligue o frigorífico e retire toda a comida do seu interior.
2. Feche e cole as portas e o cabo de alimentação com fita adesiva à parte posterior do frigorífico. Tire todas as peças desmontáveis, envolva-as bem e cole-as com fita adesiva para que não se mexam durante a mudança.
3. Segundo o modelo, levante a parte dianteira do frigorífico para que rode mais facilmente ou aparafuse os pés niveladores para cima para que não risquem o piso.

**CUIDADO!** Nunca levante o frigorífico pela porta.

4. Proteja o exterior do produto com uma manta ou um elemento suave e acolchoado e assegure-se de que o frigorífico permanece seguro e em posição vertical enquanto o transporta.

---

## LIMPEZA E MANUTENÇÃO

---

Desligue o eletrodoméstico da corrente antes de limpar.

### LIMPEZA INTERNA

- Não verta água sobre o eletrodoméstico.
- Limpe a cavidade regularmente utilizando uma solução à base de bicarbonato e água morna (5 ml/0,5 l de água).
- Limpe os acessórios separadamente com água e sabão. Não os ponha na máquina lava-louça.
- Não utilize produtos, detergentes ou sabões abrasivos.
- Depois de limpar, enxague com água limpa e seque com cuidado.
- Quando tiver acabado de limpar todo o frigorífico, volte a ligar à tomada com as mãos secas.

### LIMPEZA EXTERNA

- Limpe a parte exterior com água morna e sabão. NÃO utilize produtos abrasivos.
- Há elementos pontiagudos nas partes inferiores do produto. Proceda com cuidado ao limpar.
- Uma ou duas vezes ao ano, limpe o pó da parte traseira do frigorífico e do compressor na parte traseira com uma escova ou um aspirador. A acumulação de pó pode afetar negativamente o rendimento do eletrodoméstico e causar um aumento no consumo de energia.

### ADVERTÊNCIA

- Nunca limpe o aparelho com produtos de limpeza ácidos, abrasivos, oleosos, com bases solventes, esponjas abrasivas ou esfregões. Nunca utilize fluidos inflamáveis ou sprays para limpar, uma vez que os gases emitidos por estas substâncias podem causar risco de incêndio ou explosão.
- Nunca limpe o eletrodoméstico com um aparelho de limpeza a vapor. A humidade pode acumular-se nos componentes elétricos e provocar um perigo de descarga elétrica. Vapores quentes podem resultar no dano das peças de plástico.
- O eletrodoméstico deve estar completamente seco antes de o voltar a colocar em funcionamento.
- Os óleos essenciais e solventes orgânicos podem atacar as peças de plástico (como, por exemplo, sumo de limão ou o sumo da casca de uma laranja) ou produtos de limpeza que contenham ácido acético. Não permita que estas substâncias entrem em contacto com nenhuma peça do eletrodoméstico.

## RESOLUÇÃO DE PROBLEMAS

PROBLEMA	CAUSA/SOLUÇÃO
O frigorífico não funciona	Não está ligado. Ligue-o a uma tomada com ligação terra.
	Não há corrente. Verifique que a tomada não tenha defeito.
	O fusível/fundido/disjuntor disparou. Substitua o fusível ou reajuste o disjuntor.
	Certifique-se de que a voltagem é a correta para o eletrodoméstico.
	Grande quantidade de comida quente acrescentada recentemente. Deixe passar várias horas para que volte à sua temperatura normal.
	Os controles não estão ajustados corretamente para as condições do ambiente.
	Verif que se o aparelho não está exposto à luz solar direta ou demasiado próximo de uma fonte de calor.
A temperatura dentro do aparelho não é suficientemente fria.	Verif que se a temperatura ambiente está dentro dos limites de funcionamento do aparelho.
	As portas do aparelho abrem-se com frequência? Depois de aberta a porta, a humidade que se encontra no ar da divisão entra no aparelho, especialmente se os níveis de humidade da divisão forem muito altos. Quanto mais se abrir a porta em condições húmidas, maiores serão as possibilidades de acumulação de humidade.
	A porta não está bem fechada.
	A junta de borracha não está bem selada.
A temperatura dentro do frigorífico é demasiado baixa.	O frigorífico não conta com suficiente espaço para ventilar atrás e dos lados.
	Aumenta a temperatura ajustando o termostato para uma configuração mais baixa. A potência mais alta só deve ser utilizada como um modo de arrefecimento rápido e apenas deve ser configurada duas horas antes de se guardar uma grande quantidade de comida. Se não o fizer, a temperatura pode descer abaixo de 0 °C, uma vez que o compressor está em contínuo funcionamento.
Condensação no interior/exterior das paredes do frigorífico.	Os climas quentes e húmidos aumentam a formação de gelo no interior. É normal.
Mau cheiro	Verif que se o prazo de validade da comida e das bebidas no frigorífico não passou e se estas estão corretamente embaladas. Se não estiverem, deite fora ou embale bem.
	Confirme que nada foi derramado. Qualquer derrame que tenha sido deixado desatendido e não tenha limpo pode provocar cheiros indesejados.
As portas não fecham bem.	Assegure-se de que não há nenhum objeto a obstruir o fecho da porta.
	Verif que se tanto as estantes como os compartimentos estão bem encaixados no seu sítio.
	Verif que se a junta da porta não está deformada nem rasgada.
	Certifique-se de que o eletrodoméstico esteja nivelado.

PROBLEMA	CAUSA/SOLUÇÃO
	<p>Verifique se o aparelho se encontra numa superfície plana, nivelada e estável.</p> <p>Observe em redor do frigorífico e assegure-se de que não está a tocar noutros objetos.</p> <p>Ruído de chiaria e borbulhagem: é produzido pela passagem do líquido refrigerante nas tubulações do sistema. É normal.</p>
Ruídos estranhos.	<p>Som de água a fluir. É normal, trata-se da água a fluir no esgoto durante o processo de descongelamento.</p> <p>Se o eletrodoméstico estiver a funcionar ruídosamente (ruído do compressor): É normal. Indica que o compressor está a funcionar normalmente. Como o compressor está a receber energia, pode ser que faça ruído durante um curto período de tempo.</p>
A porta não abre.	<p>A contração e expansão do interior das paredes pode provocar sons de estalos e arrastidos.</p> <p>Se acabou de abrir a porta, deixe-a alguns minutos para que a pressão do ar seja equalizada antes de voltar a tentar.</p>
O compressor funciona sempre.	<p>A temperatura está configurada demasiado baixa: seleciona uma temperatura mais alta.</p> <p>A porta está aberta ou algo está a obstruir o fecho.</p> <p>As juntas de borracha estão desgastadas, sujas ou estragadas.</p> <p>Acrescentou uma grande quantidade de alimentos ao frigorífico.</p> <p>A temperatura da divisão é mais alta do que o normal.</p>
A superfície externa do frigorífico está quente.	<p>As paredes exteriores podem estar mais quentes do que a temperatura da divisão. É normal enquanto o compressor trabalha para extrair calor do interior do frigorífico.</p>

## ELIMINAÇÃO DA EMBALAGEM E DESMANTELAMENTO DOS APARELHOS UTILIZADOS

**Assegure-se de que todos os fechos ficam inutilizáveis, retire a(s) porta(s) e deite fora separadamente.**

**Advertência – riscos químicos: não permita que as crianças brinquem com eletrodomésticos velhos.**

**Contacte a sua autoridade municipal correspondente para se informar sobre o procedimento de desmantelamento.**

- Antes de se desfazer de um eletrodoméstico velho, assegure-se de que está desligado e é seguro. Desligue o aparelho e parta qualquer fecho para evitar que as crianças fiquem presas.
- Tenha em conta: o sistema de refrigeração contém gás e refrigerantes que exigem uma gestão de resíduos especializada.
- Pode contribuir para a sensibilização ambiental ao insistir em métodos de eliminação adequados e não poluentes.
- Não permita que animais de estimação e crianças brinquem com a embalagem e desfaça-se das bolsas de plástico de maneira segura.
- Pode rasgar o cartão ou cortá-lo em pedaços mais pequenos e reciclá-lo. As embalagens foram fabricadas em polietileno. As almofadas e o recheio de polietileno não contém hidrocarbonetos fluorados e, como tal, são adequados para a reciclagem.

**ADVERTÊNCIA!** Para evitar que as crianças fiquem presas no interior ao brincar, se utilizar este aparelho para substituir outro que conta com fecho:

- Parta ou retire o referido fecho como medida de segurança antes de o guardar.
- Retire as portas.
- Deixe as estantes no seu sítio para que as crianças não possam escalar com facilidade.
- Corte o cabo de ligação o mais perto possível do eletrodoméstico.
- Se este aparelho, com um selo magnético na porta, for substituir um aparelho velho que tem um travão de mola na porta ou tampa, faça com que o travão de mola não possa ser utilizado antes de se desfazer do aparelho velho. Isto reduzirá o risco de as crianças ou os animais ficarem presos no interior.

Nous vous remercions d'avoir choisi notre réfrigérateur. Avant d'utiliser cet appareil électroménager et pour garantir une utilisation optimale, lire attentivement les instructions.

Les mesures de sécurité visées ici réduisent le risque d'incendie, d'électrocution et de blessures lorsqu'elles sont correctement suivies. Conserver le manuel dans un endroit sûr pour de futures références, tout comme la garantie, le ticket d'achat et l'emballage. Le cas échéant, remettre ces instructions au futur propriétaire de l'appareil électroménager. Toujours respecter les instructions de sécurité de base et les mesures de prévention des risques lors de l'utilisation d'un appareil électrique. Le fabricant ne sera responsable d'aucun dommage découlant du non-respect de ces instructions de la part de l'utilisateur.

---

## INSTRUCTIONS DE SÉCURITÉ

---

Lors de l'utilisation de tout appareil électrique, il convient toujours de suivre les précautions suivantes en matière de sécurité.

- S'assurer que la tension et la fréquence du circuit correspondent à celles indiquées sur l'étiquette de classification de l'appareil. Si ce n'est pas le cas, contacter le service après-vente et ne pas utiliser le réfrigérateur.
- Ne pas brancher d'autres électroménagers simultanément sur la même prise, au risque de surcharger le circuit électrique et de brûler les fusibles ou de provoquer un court-circuit.
- Afin d'éviter tout risque d'incendie et de décharge électrique, ne pas plonger le câble, la prise, la base électrique ou le réfrigérateur dans l'eau. N'exposer les connexions électriques à aucun liquide.
- Le câble d'alimentation doit être placé de sorte qu'il n'y ait aucun risque que quelqu'un ne le tire par accident ou ne trébuche dessus.
- Ne pas renforcer, plier, aplatis, endommager ou appuyer sur le câble d'alimentation et le protéger des objets et bords tranchants, ainsi que de la chaleur.
- Ne pas tirer sur le câble pour débrancher le réfrigérateur.
- Ne pas laisser le câble pendre du bord d'une table ou d'un plan de travail. Faire en sorte qu'il ne soit en contact avec aucune source de chaleur ou surface chaude.
- Ne pas soulever ni utiliser le réfrigérateur si le câble d'alimentation ou la prise est endommagé/e, si l'appareil fonctionne mal, s'il est tombé ou endommagé de quelque manière que ce soit.
- En cas de panne, contacter le service après-vente.
- Un câble d'alimentation ou une prise endommagé/e doit être remplacé/e exclusivement par une personne qualifiée.
- S'assurer que toutes les connexions électriques sont propres et sèches avant de brancher le réfrigérateur.
- Ne pas le brancher à une rallonge.
- Le débrancher lorsqu'il n'est pas utilisé, ou avant de le nettoyer ou de le déplacer.
- Ne pas l'utiliser avec une minuterie externe ou un système de contrôle à distance indépendant.
- Ce réfrigérateur est exclusivement destiné à un usage domestique.
- Il n'est pas conçu pour un usage commercial. Ne pas l'utiliser à l'extérieur.
- Utiliser ce réfrigérateur uniquement comme indiqué dans ce manuel. Une installation inappropriée, ainsi que l'utilisation d'accessoires non recommandés par le fabricant ou toute autre utilisation inadéquate pourraient provoquer un incendie, une décharge électrique ou des blessures.
- Le fabricant décline toute responsabilité en cas de dommage découlant d'une utilisation inappropriée.
- Le réfrigérateur ne doit pas être utilisé par des personnes souffrant d'une déficience physique, sensorielle ou mentale, ou manquant d'expérience ou de connaissances, à moins qu'elles n'aient été formées ou qu'elles ne soient surveillées lors de son utilisation par la personne responsable de leur sécurité.
- Les enfants doivent rester sous surveillance afin de s'assurer qu'ils ne jouent avec l'appareil. Les surveiller attentivement lorsqu'un appareil est utilisé près d'eux.



- Ne pas utiliser de produits chimiques, d'éponges inox ou de produits nettoyants abrasifs pour nettoyer l'extérieur du réfrigérateur afin d'éviter d'endommager la surface.
- S'assurer que toutes les parties sont correctement montées avant de l'utiliser.
- Réaliser l'entretien du réfrigérateur comme indiqué afin d'en garantir le bon fonctionnement.
- En cas de panne ou de dommage, contacter le service après-vente.
- Si l'appareil dégage de la fumée ou une odeur inhabituelle, le débrancher immédiatement et appeler le service technique.
- Le placer sur une surface lisse, rigide et stable, éloigné de la lumière directe du soleil et de toute source de chaleur excessive.
- Ne pas le placer à proximité de sources de chaleur telles que radiateurs, appareils chauffants, chaudière ou tout autre électroménager produisant de la chaleur.
- Ne pas le placer à proximité d'objets pouvant l'endommager, tels que flammes (bougies allumées) ou d'objets contenant de l'eau (vase ou verre).
- Faire en sorte qu'aucun objet ne tombe sur le réfrigérateur et qu'aucun liquide ne pénètre par l'une de ses ouvertures.
- Le fabricant décline toute responsabilité en cas de blessures ou de dommages dans l'habitation, ou en cas de non-respect des conseils et précautions indiquées ci-dessus.
- Éviter la surchauffe : Placer le réfrigérateur dans un endroit bien ventilé. S'assurer que l'air circule correctement sur sa partie arrière.
- Pour garantir un bon fonctionnement, laisser une distance d'environ 100 mm de chaque côté et derrière.
- Cet appareil est muni d'un cordon d'alimentation court afin qu'il ne s'emmêle pas et ne constitue aucun obstacle pour les personnes. Il est déconseillé d'utiliser une rallonge.
- Ce réfrigérateur ne contient aucun élément pouvant être réparé ou remplacé par l'utilisateur. Ne pas essayer de réparer l'appareil. Contacter le service après-vente.
- Avant de le brancher pour la première fois, il est conseillé de patienter au moins 8 heures afin de permettre aux liquides internes du compresseur de se stabiliser.
- L'air doit pouvoir circuler correctement autour du réfrigérateur afin d'éviter qu'il ne surchauffe. Pour une bonne ventilation, suivre les consignes d'installation.
- Il ne doit être placé à proximité d'un radiateur ou d'une chaudière.
- Après avoir installé le réfrigérateur, s'assurer que la prise est accessible.

## USAGE QUOTIDIEN

- Ne pas mettre d'aliments chauds dans le réfrigérateur.
  - Pour conserver les plats préparés, suivre les instructions indiquées sur l'emballage.
- AVERTISSEMENT** Ne pas utiliser de moyens mécaniques ou tout autre moyen pour accélérer le processus de dégivrage.
- Ne jamais utiliser d'outil en métal pour retirer la glace ou nettoyer le réfrigérateur. Si nécessaire, utiliser une spatule en plastique.
  - Suivre strictement les recommandations de stockage. Consulter les instructions correspondantes.
  - Si le réfrigérateur est débranché, s'il s'éteint ou en cas de coupure d'électricité, patienter de 3 à 5 minutes avant de le rallumer. Dans le cas contraire, il ne se remettra pas en marche.

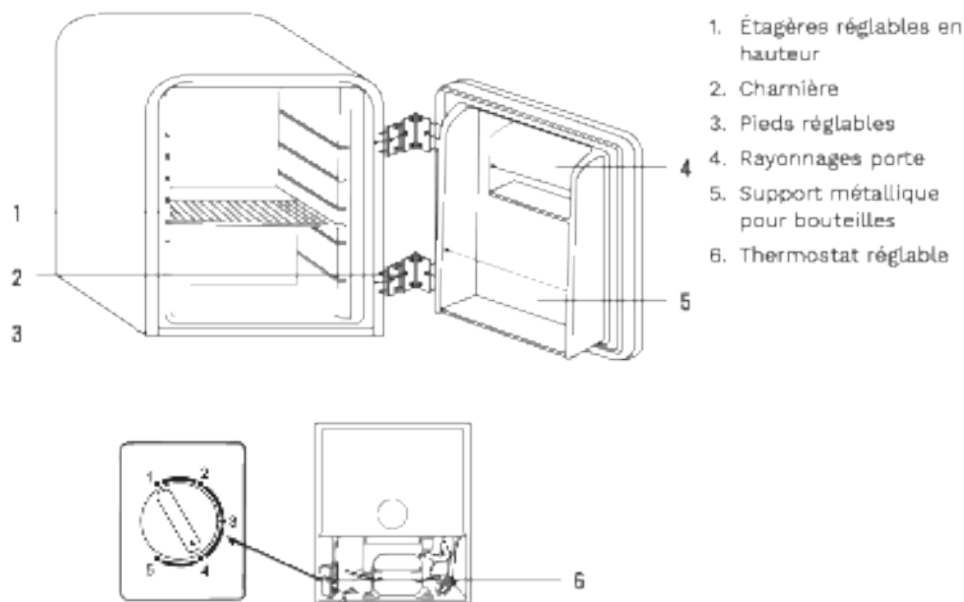
## AVERTISSEMENT : GAZ RÉFRIGÉRANT INFLAMMABLE

- Danger ! Risque d'incendie et d'explosion. Le gaz réfrigérant est inflammable et doit être manipulé exclusivement par une personne qualifiée. Ne pas perforez le tube réfrigérant.
- Attention ! Risque d'incendie et d'explosion. Contacter l'administration compétente pour s'informer sur les déchets d'équipements électriques et électroniques (DEEE) en vue de leur réutilisation, de leur recyclage et de leur collecte. Le distributeur ou l'administration compétente vous informera sur les procédures et les possibilités les plus efficaces en vue d'une élimination respectueuse de l'environnement.

Le circuit réfrigérant contient le gaz réfrigérant isobutane (R600a). Malgré sa compatibilité avec l'environnement, ce gaz est inflammable. S'assurer qu'aucune partie du circuit ne soit endommagée au cours du transport et de l'installation.

- **AVERTISSEMENT** : ne pas endommager le circuit réfrigérant ! Ne jamais utiliser le réfrigérateur si le circuit réfrigérant est endommagé ! Si le circuit se détériore, n'en approcher aucune source de chaleur ou matériau inflammable. Ventiler soigneusement la pièce dans laquelle se trouve le réfrigérateur.
- Il est dangereux qu'une personne non qualifiée tente de le réparer.
- La pièce dans laquelle le réfrigérateur est installé devrait mesurer au moins 1 m<sup>3</sup> pour 8 g de gaz réfrigérant. La quantité et le type de gaz réfrigérant sont indiqués dans les caractéristiques techniques.
- Ne pas mettre d'autres appareils électriques (comme une glacière) dans le réfrigérateur, sauf si cette possibilité est indiquée par le fabricant.
- Ne pas mettre de substances explosives, telles que des aérosols contenant un propulseur inflammable, dans le réfrigérateur.
- S'assurer qu'aucune partie du circuit réfrigérant ne soit endommagée au cours du transport et de l'installation.
- Éviter les flammes et les sources d'inflammation.
- Ventiler soigneusement la pièce dans laquelle se trouve le réfrigérateur.
- Il est dangereux d'altérer les caractéristiques techniques de ce produit ou de le modifier de quelque manière que ce soit.
- Un câble d'alimentation endommagé peut provoquer un court-circuit, un incendie ou une décharge électrique.
- Cet électroménager est lourd. Le déplacer avec précaution. Pour éviter les blessures au dos ou tout autre type de blessure, demander l'aide d'une autre personne ou utiliser un soutien mécanique pour l'installer.
- Éviter d'exposer le réfrigérateur à la lumière du soleil de manière prolongée.
- Cet électroménager est exclusivement destiné à un usage domestique.
- Tous les composants électriques (prise, câble d'alimentation, compresseur, etc.) doivent être remplacés par une personne qualifiée.
- **NE PAS UTILISER DE RALLONGE.** Utiliser uniquement une prise murale. Ne pas brancher le réfrigérateur à une prise à laquelle sont branchés d'autres appareils.
- S'assurer que le câble ne risque pas d'être aplati ou endommagé, au risque de faire surchauffer l'appareil et de provoquer un incendie.

## LISTE DES PIÈCES



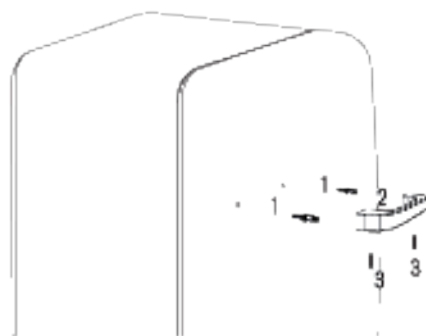
## DÉBALLAGE DU RÉFRIGÉRATEUR

- Ce produit a été emballé pour le protéger durant son transport. Retirer tous les éléments de l'emballage autour et à l'intérieur du produit, mais ne pas retirer la mousse d'isolation présente autour des tuyaux situés sur la partie arrière. Conserver le carton original et les autres éléments de l'emballage dans un lieu sûr. Ils serviront à protéger le produit en cas d'un transport ultérieur. Ils peuvent être également utilisés pour protéger le réfrigérateur quand ce dernier n'est pas utilisé. Si vous devez jeter le carton, le recycler dans la mesure du possible.
- Les éléments en plastique constituent un risque d'asphyxie pour les animaux de compagnie, les bébés et les enfants. Il est par conséquent préférable de les recycler.
- Vérifier qu'il y a toutes les parties citées dans les pages précédentes.
- Dérouler complètement le câble d'alimentation et vérifier qu'il n'est pas endommagé. Ne pas utiliser le réfrigérateur si ce dernier ou le câble d'alimentation est endommagé ou ne fonctionne pas correctement. En cas de dommage, consulter notre service après-vente en vue d'une réparation ou d'un remplacement du produit.
- S'assurer que le réfrigérateur est débranché avant de le nettoyer à l'intérieur. Nettoyer l'intérieur et les accessoires internes avec un chiffon doux imbibé d'eau tiède et de produit nettoyant neutre. Ce nettoyage éliminera la poussière et contribuera à atténuer l'odeur du produit neuf. Bien sécher après. Important : ne pas utiliser de produit nettoyant abrasif ou de poudre à récurer au risque d'abîmer le revêtement.

## INSTALLATION DE LA POIGNÉE DE PORTE

La manivelle est démontée pour faciliter l'emballage. Elle s'installe facilement en suivant ces instructions.

- Fixer les deux vis (1) sur la porte.
- Placer la manivelle en métal (2) sur les deux vis de manière à faire coïncider ces deux dernières avec les orifices de la manivelle.
- Serrer les vis (3) sur la partie inférieure de la manivelle.



## INSTALLATION DU RÉFRIGÉRATEUR

Avant d'installer le réfrigérateur, lire attentivement ce manuel et suivre les instructions.

1. Placer le réfrigérateur sur une surface stable et plate afin d'éviter qu'il ne fasse du bruit. S'assurer que le sol est suffisamment résistant pour supporter le poids du réfrigérateur quand celui-ci est plein.
2. Si le réfrigérateur est placé sur un tapis, installer une planche en bois entre le tapis et le réfrigérateur. Placer ce produit sur un tapis peut entraîner une décoloration du tapis en raison de la chaleur émise par le compresseur.
3. Cet électroménager est conçu pour se tenir debout seul et non pour être encastré ou installé sur un support.
4. En le déplaçant, ne pas incliner le réfrigérateur à plus de 45 °C.



5. Éviter les endroits où le réfrigérateur serait exposé à la lumière du soleil, à des sources de chaleur (chaudière, poêle, radiateur, etc.), à des températures ambiantes extrêmement basses ou à une humidité excessive. L'installer dans la partie la plus fraîche de la pièce permettra d'économiser de l'énergie.

**Manipuler avec précaution !** N'exercer aucune force sur aucune partie du réfrigérateur, comme le condensateur ou la porte. Les rails métalliques situés sous le réfrigérateur peuvent comporter des bords tranchants. Déballez avec précaution. Ne pas faire traîner le réfrigérateur. L'installer à l'endroit choisi avec précaution afin d'éviter de rayer le sol.

#### Exigences liées à l'espace

- Installer le réfrigérateur de telle manière qu'il y ait suffisamment d'espace pour ouvrir la porte.
- S'assurer que l'air peut circuler librement à l'arrière, pour permettre au compresseur et au condensateur de refroidir correctement. Laisser au moins 100 mm d'espace à l'arrière et 50 mm de chaque côté.

#### Nivellement

- Pour fonctionner correctement, le réfrigérateur doit être nivelé. S'il n'est pas nivelé, la porte et l'alignement du joint magnétique ne coïncideront pas.
- Pour niveler le réfrigérateur, régler un ou les deux pieds de la base.



#### RÉGLAGE DU THERMOSTAT

- Pour mettre le réfrigérateur en marche, faire tourner la mollette du thermostat jusqu'à la température souhaitée. Cette mollette est située à l'intérieur du réfrigérateur, dans la partie supérieure.
- Les réglages 0 (OFF) - 5 (MAX) permettent de régler la température intérieure du réfrigérateur.

Réglage 0 (OFF) : ne fonctionne pas. (Pour éteindre, tourner la mollette jusqu'à 0).

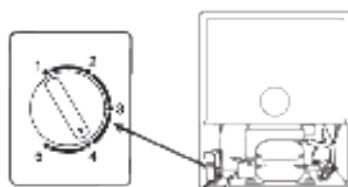
Réglage 1 (Min) : valeur la plus basse (température intérieure la moins froide).

Réglage 5 (Max) : valeur la plus élevée (température intérieure la plus froide).

**REMARQUE :** la température du réfrigérateur variera en fonction de la quantité de boîtes de conserve/bouteilles conservées à l'intérieur et de la fréquence à laquelle il est ouvert. La température n'est pas la même dans toutes les parties intérieures. La partie arrière est la plus froide. Maintenir les boîtes de conserve et les bouteilles éloignées de la partie arrière afin d'éviter que leur contenu ne se congèle et de faciliter la circulation de l'air froid.

**REMARQUE :** la position 0 (Éteint) du thermostat indique que le réfrigérateur est éteint, y compris s'il est encore branché. En faisant tourner la mollette vers la gauche, le réfrigérateur se mettra automatiquement en marche. Quand le réfrigérateur ne va pas être utilisé durant une longue période, le débrancher et laisser la porte ouverte.

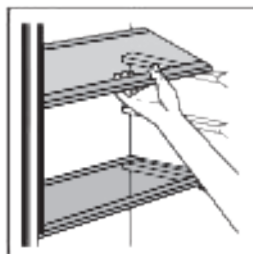
Arrière



Interrupteur

## STOCKAGE DES ALIMENTS

1. Un réfrigérateur est approprié pour la conservation à court terme des aliments frais. La température du réfrigérateur varie en fonction de la quantité d'aliments conservés à l'intérieur, de la température ambiante et de la fréquence à laquelle il est ouvert. Régler le thermostat de manière adéquate.
2. Afin d'assurer un refroidissement correct et d'économiser de l'énergie, ne pas laisser le réfrigérateur ouvert trop longtemps ni trop souvent. Ne pas surcharger le réfrigérateur et laisser assez d'espace entre les aliments pour laisser passer l'air froid. Ne pas bloquer les conduits de ventilation.
3. Les étagères sont réglables à différentes hauteurs, en fonction des besoins.



## CONSEILS D'ÉCONOMIE D'ÉNERGIE

- Placer le réfrigérateur dans la partie la plus fraîche de la pièce, à l'écart d'autres appareils électroménagers produisant de la chaleur et de la lumière directe du soleil.
- Laisser refroidir les aliments et les boissons avant de les mettre au réfrigérateur.
- Ne pas surcharger le réfrigérateur. Une surcharge oblige le compresseur à fonctionner plus longtemps.
- Emballer correctement les aliments. Nettoyer et sécher les emballages avant de les mettre au réfrigérateur pour éviter la formation de givre.
- Ne couvrir aucun compartiment avec du papier aluminium, papier végétal ou des serviettes en papier. Ceci interfère dans la circulation et réduit l'efficacité.
- Ranger les aliments de manière à laisser circuler l'air autour.
- Ne pas laisser la porte ouverte plus longtemps que nécessaire.
- S'assurer que les aliments ne touchent pas le fond des compartiments.
- Ne pas mettre le thermostat à une température trop basse.

## VOUS PARTEZ EN VACANCES ?

- **Vacances courtes** : laisser fonctionner le réfrigérateur pour des vacances inférieures à un mois.
- **Vacances longues** : si le réfrigérateur n'est pas utilisé pendant une période prolongée, retirer tous les aliments et le débrancher. Nettoyer et bien sécher l'intérieur. Pour éviter les odeurs et l'apparition de moisissure, laisser la porte légèrement ouverte (la bloquer pour qu'elle ne se ferme pas). Si le réfrigérateur reste ouvert, surveiller les enfants pour éviter toute blessure.

## DÉPLACER LE RÉFRIGÉRATEUR

1. Débrancher le réfrigérateur et retirer tous les aliments.
2. Fermer et bloquer la porte et le câble d'alimentation avec du ruban adhésif passant par derrière le réfrigérateur. Retirer toutes les parties démontables, les emballer avec du ruban adhésif afin qu'elles ne bougent pas pendant le transport.
3. En fonction du modèle, soulever la partie avant du réfrigérateur pour le faire rouler plus facilement ou visser les pieds vers le haut afin que ces derniers ne rayent pas le sol.

**AVERTISSEMENT** ! Ne jamais soulever le réfrigérateur par la porte.

4. Protéger l'extérieur avec une couverture ou un tissu doux et matelassé et s'assurer que le réfrigérateur sera en position verticale pendant son transport.

Débrancher le réfrigérateur avant de le nettoyer.

### NETTOYAGE INTÉRIEUR

- Ne pas verser d'eau sur le réfrigérateur.
- Nettoyer l'intérieur régulièrement avec une solution composée de bicarbonate et d'eau tiède (5 ml/0,5 l d'eau).
- Nettoyer les accessoires séparément à l'eau et au savon. Ne pas les mettre au lave-vaisselle.
- Ne pas utiliser de produit nettoyant abrasif.
- Rincer ensuite à l'eau claire et sécher soigneusement.
- Après avoir nettoyé l'intérieur, le rebrancher.

### NETTOYAGE EXTÉRIEUR

- Nettoyer la partie extérieure à l'eau tiède et au savon. NE PAS utiliser de produit nettoyant abrasif.
- La partie inférieure comportant des éléments pointus, la nettoyer avec précaution.
- Une ou deux fois par an, retirer la poussière présente sur la partie arrière et sur le compresseur à l'aide d'une brosse ou d'un aspirateur. L'accumulation de poussière peut affecter le rendement du réfrigérateur et entraîner une augmentation de la consommation d'énergie.

### ATTENTION

- Ne jamais nettoyer l'appareil avec des produits nettoyants acides, abrasifs, huileux, contenant des solvants, ou avec une éponge inox. Ne jamais utiliser de liquides inflammables ou de sprays de nettoyage, les gaz émis par ces substances pouvant entraîner un risque d'incendie ou d'explosion.
- Ne jamais nettoyer le réfrigérateur avec un appareil à vapeur. L'humidité pourrait s'accumuler dans les composants électriques et entraîner un risque de décharge électrique ! La vapeur chaude peut endommager les parties en plastique.
- Le réfrigérateur doit être complètement sec avant d'être remis en marche.
- Les huiles essentielles et les solvants organiques peuvent abîmer les parties en plastique (comme le jus de citron ou le jus obtenu à partir de l'écorce d'orange), ainsi que les produits nettoyants contenant de l'acide acétique. Ces substances ne doivent entrer en contact avec aucune partie du réfrigérateur.

## RÉSOLUTION DE PROBLÈMES

PROBLÈME	CAUSE/SOLUTION
Le réfrigérateur ne fonctionne pas.	<p>L'îlot n'est pas allumé. Le brancher à une prise de terre.</p> <p>Il n'y a pas de courant. Vérifier que la prise n'est pas défectueuse.</p> <p>Le fusible a fondu/Le disjoncteur a sauté. Remplacer le fusible ou remonter le disjoncteur.</p> <p>Vérifier que la tension correspond au réfrigérateur.</p> <p>Grande quantité d'aliments chauds stockés récemment. Patienter plusieurs heures avant qu'il ne revienne à la température normale.</p> <p>Le réglage de la température n'est pas adapté à la température ambiante.</p> <p>Vérifier que le réfrigérateur n'est pas exposé à la lumière directe du soleil ou placé près d'une source de chaleur.</p>
À l'intérieur, la température n'est pas suffisamment froide.	<p>Vérifier que la température ambiante se trouve dans les limites de fonctionnement du réfrigérateur.</p> <p>La porte est-elle ouverte fréquemment ? Lorsque la porte est ouverte, l'humidité présente dans la pièce pénètre dans le réfrigérateur, particulièrement si le niveau d'humidité est très élevé. Plus le niveau d'humidité est élevé, plus l'humidité s'accumulera à l'intérieur.</p> <p>La porte n'est pas bien fermée.</p> <p>Le joint en caoutchouc n'est pas correctement fixé.</p> <p>Il n'y a pas suffisamment d'espace derrière et sur les côtés du réfrigérateur pour laisser l'air circuler.</p>
À l'intérieur du réfrigérateur, la température est trop basse.	<p>Augmenter la température à l'aide du thermostat et sélectionner une température plus froide. La température la plus froide doit être sélectionnée pour un refroidissement rapide uniquement pendant deux heures, avant de stocker une grande quantité d'aliments. Au-delà de cette durée, le compresseur fonctionnant en continu, la température pourrait tomber en dessous de 0 °C.</p>
Condensation sur les parois intérieures/extérieures du réfrigérateur.	<p>Un climat chaud et humide favorise la formation de givre à l'intérieur. Ceci est normal.</p>
Mauvaise odeur.	<p>Vérifier que les aliments et les boissons contenus dans le réfrigérateur ne sont pas périmés et qu'ils sont correctement emballés. S'ils sont périmés, jetez-les. Dans le cas contraire, emballez-les correctement.</p> <p>Vérifier qu'aucun aliment ne s'est renversé. Un aliment ou une boisson qui s'est renversé et n'a pas été nettoyé peut provoquer de mauvaises odeurs.</p>
La porte ne ferme pas bien.	<p>S'assurer qu'aucun objet n'obstrue la porte.</p> <p>Vérifier que les étagères et les compartiments sont correctement emboîtés.</p> <p>Vérifier que le joint de la porte n'est pas déformé ou déchiré.</p> <p>Vérifier que le réfrigérateur est correctement nivelé.</p>

PROBLÈME	CAUSE/SOLUTION
	Vérifier que le réfrigérateur est placé sur une surface plate, nivelée et stable.
	Vérifier à l'extérieur que le réfrigérateur n'est en contact avec aucun autre objet.
	Bruits de gargouillement et de bouillonnement : Ils indiquent le passage du liquide réfrigérant dans la tuyauterie du système. Ceci est normal.
Bruits inhabituels.	Son d'écoulement d'eau : Ceci est normal. Il s'agit de l'eau qui s'écoule au cours du dégivrage.
	Si le fonctionnement est bruyant (bruit du compresseur) : Ceci est normal. Ce bruit indique que le compresseur fonctionne normalement. L'allumage du compresseur peut être bruyant pendant une courte période de temps.
	La contraction et l'expansion à l'intérieur des parois peuvent produire des sons d'éclatement.
La porte ne s'ouvre pas.	Si la porte vient d'être ouverte, patienter quelques minutes jusqu'à ce que la pression de l'air se rééquilibre avant de l'ouvrir à nouveau.
	La température est trop basse. Sélectionner une température moins froide.
Le compresseur fonctionne en continu.	La porte est ouverte ou un objet empêche qu'elle ne se ferme correctement.
	Le joint en caoutchouc est usé, sale ou abîmé.
	Le réfrigérateur contient une grande quantité d'aliments.
	La température de la pièce est plus élevée que d'habitude.
La surface sur laquelle se trouve le réfrigérateur est chaude.	Les carrels externes peuvent être plus chaudes que la température de la pièce. Ceci est normal ; le compresseur fonctionne pour extraire la chaleur présente à l'intérieur du réfrigérateur.

## RECYCLAGE DES EMBALLAGES ET DES APPAREILS USÉS

**S'assurer que toutes les fermetures sont inutilisables, retirer la/les porte/s et recyclez-la/les séparément.**

**Avertissement – risques chimiques : ne pas permettre que les enfants jouent avec de vieux appareils électroménagers.**

**Se renseigner auprès de l'administration compétente au sujet des procédures de recyclage.**

- Avant de recycler un appareil électroménager usé, s'assurer qu'il est éteint et qu'il n'est pas dangereux. Débrancher l'appareil et faire en sorte que les fermetures soient inutilisables pour éviter tout risque d'accident avec les enfants.
- Attention : le système de réfrigération contient des gaz et des liquides réfrigérants exigeant une gestion des déchets spécialisée.
- Contribuez à protéger l'environnement en respectant strictement les méthodes de recyclage appropriées et non polluantes.
- Ne pas permettre que les animaux de compagnie et les enfants jouent avec l'emballage. Recycler les sacs en plastique de manière sûre.
- Découper le carton en morceaux et le recycler. Une partie de l'emballage est fabriquée en polyéthylène. Les films à bulles et le remplissage en polyéthylène ne contiennent pas d'hydrocarbures fluorés et peuvent donc être recyclés.

**AVERTISSEMENT !** Afin d'éviter que les enfants ne s'enferment à l'intérieur en jouant, si l'appareil est muni d'une fermeture :

- Faire en sorte que cette dernière soit inutilisable avant de ranger l'appareil.
- Retirer les portes.
- Ranger les étagères à l'écart afin que les enfants ne puissent monter dessus facilement.
- Couper le câble d'alimentation aussi près de l'appareil que possible.
- Si ce réfrigérateur, dont la porte est munie d'un joint magnétique, remplace un vieil appareil muni d'un système de ressort sur la porte ou le couvercle, faire en sorte que ce système de ressort soit inutilisable avant de recycler l'appareil. Cette précaution évitera que des enfants ou des animaux ne s'enferment par inadvertance à l'intérieur.



Grazie per aver scelto il nostro frigorifero. Prima di utilizzare questo elettrodomestico e al fine di garantirne il miglior uso, leggere attentamente le istruzioni.

Se seguite in modo corretto, le misure di sicurezza qui indicate riducono il rischio di incendio, scarica elettrica e lesioni. Conservare il manuale in un luogo sicuro per future consultazioni, come anche la garanzia, la ricevuta d'acquisto e la scatola. Se necessario, consegnare queste istruzioni al futuro proprietario dell'elettrodomestico. Seguire sempre le istruzioni fondamentali di sicurezza e le misure di prevenzione dei rischi quando si utilizza un elettrodomestico elettrico. Il fabbricante non sarà responsabile di alcun danno derivante dall'inosservanza di queste istruzioni da parte dell'utente.

## ISTRUZIONI DI SICUREZZA

Quando si utilizza un apparecchio elettrico è necessario osservare sempre le precauzioni fondamentali di sicurezza.

- Assicurarsi che il voltaggio e la frequenza del circuito corrispondano a quelli indicati nell'etichetta di classificazione dell'apparecchio. Se non fosse questo il caso, contattare il servizio postvendita e non utilizzare il frigorifero.
- Non collegare contemporaneamente altri elettrodomestici allo stesso circuito, poiché questo potrebbe sovraccaricarlo e comportare la bruciatura dei fusibili o causare un cortocircuito.
- Per evitare incendi e scariche elettriche, non immergere il cavo, la spina, la base elettrica o il corpo del frigorifero. Evitare il contatto tra liquidi e collegamenti elettrici.
- Il cavo di alimentazione deve essere posizionato in modo tale da non rischiare che possa essere tirato accidentalmente o possa essere d'intralcio.
- Non torcere, piegare, schiacciare, premere o danneggiare il cavo di alimentazione e proteggerlo da superfici affilate o dal calore.
- Quando si scollega il frigorifero, tenere ferma la spina e non tirare il cavo.
- Non lasciare che il cavo resti appeso sul bordo di un tavolo o un piano. Evitare che entri in contatto con una fonte di calore o con superfici calde.
- Non sollevare né usare l'apparecchio se il cavo o la spina sono danneggiati o il frigorifero sta funzionando in maniera impropria, è caduto o è stato danneggiato in qualche modo.
- In caso di guasto, contattare il servizio postvendita.
- La sostituzione del cavo o della spina danneggiati deve essere effettuata solo da personale autorizzato, per evitare eventuali rischi.
- Prima di collegare il frigorifero, assicurarsi che tutti i collegamenti elettrici siano puliti e asciutti.
- Non collegare questo elettrodomestico a una prolunga.
- Quando non si usa, durante la pulizia o lo spostamento, scollegare l'apparecchio dalla corrente elettrica.
- L'apparecchio non è progettato per essere utilizzato con un timer esterno o un sistema di controllo remoto separato.
- L'apparecchio è progettato solo per l'uso domestico, non per l'uso commerciale. Non utilizzare in luoghi all'aperto.
- Utilizzare il frigorifero solo secondo le modalità indicate nel manuale. L'installazione imdebita, l'utilizzo di accessori non suggeriti dal fabbricante o qualsiasi altro utilizzo non indicato può causare incendi, scariche elettriche o infortuni.
- Il fabbricante non è responsabile di lesioni causate da un utilizzo imdebito.
- Il frigorifero non è progettato per l'utilizzo da parte di persone con capacità fisiche, sensoriali o mentali ridotte e con mancanza di esperienza e conoscenze a meno che non siano supervisionate o dispongano di istruzioni in merito all'uso dell'apparecchio fornite dalla persona responsabile della loro sicurezza.
- Supervisionare i bambini affinché non giochino con l'apparecchio. Supervisionare i bambini con attenzione quando un apparecchio viene utilizzato in loro presenza.
- Per la pulizia delle superfici esterne del frigorifero non utilizzare prodotti chimici, pagliette in acciaio o detersivi abrasivi, onde evitare di danneggiare l'apparecchio.
- Prima di utilizzare l'apparecchio, verificare che tutte le parti siano assemblate correttamente.
- Eseguire la manutenzione dell'apparecchio secondo quanto indicato per assicurarne il corretto funzionamento.

- In caso di eventuali avarie o danneggiamenti del prodotto, contattare il servizio postvendita.
- Se dal frigorifero fuoriesce del fumo o un odore strano, scollegarlo immediatamente e contattare il servizio tecnico.
- Posizionarlo su una superficie uniforme, rigida e stabile, lontana dalla luce diretta o da fonti di calore eccessivo.
- Non posizionare il frigorifero vicino a fonti di calore come termosifoni, fornelli o altri elettrodomestici che emanano calore.
- Non posizionare l'apparecchio vicino ad oggetti che possano danneggiarlo come fiamme (candele accese) o altri oggetti che contengano acqua (un vaso o un bicchiere).
- Evitare che sul frigorifero cadano oggetti o entrino dei liquidi dalle aperture.
- Il fabbricante non è responsabile di infortuni o danni alla proprietà derivanti dall'inosservanza dei consigli e delle precauzioni sopra citati.
- Evitare il surriscaldamento: posizionare l'elettrodomestico in un ambiente ben ventilato. Verificare che la parte posteriore del frigorifero sia soggetta a una buona ventilazione.
- Per assicurare un miglior funzionamento, lasciare su ogni lato del frigorifero e sulla parte posteriore circa 100 mm di distanza.
- L'apparecchio è dotato di un cavo di alimentazione corto che riduce che il pericolo di grovigli e intralci. Si sconsiglia l'utilizzo di una prolunga.
- Non contiene parti che possano essere riparate o sostituite dall'utente. Contattare il servizio postvendita e non procedere autonomamente alla sostituzione.
- Prima del primo utilizzo, si consiglia di attendere almeno 8 ore prima di collegare l'apparecchio, affinché l'olio possa giungere al compressore.
- Per evitare un surriscaldamento, intorno al frigorifero deve poter esserci una buona ventilazione. Seguire le istruzioni relative all'installazione affinché si garantisca la ventilazione sufficiente.
- L'apparecchio non deve essere posizionato vicino a radiatori o fornelli.
- Dopo l'installazione del frigorifero, verificare che la spina resti accessibile.

## USO QUOTIDIANO

- Non riporre alimenti caldi dentro il frigorifero.
- Quando si conservano degli alimenti precotti, seguire le istruzioni del contenitore.

**AVVERTENZA:** Non ricorrere a dispositivi meccanici o altre soluzioni per velocizzare il processo di scongelamento.

- Non utilizzare mai uno strumento di metallo per eliminare il ghiaccio o pulire il frigorifero. Se necessario, ricorrere a una spatola in plastica.
- Seguire rigorosamente i consigli di conservazione. Consultare le relative istruzioni.
- In caso di scollegamento, spegnimento del frigorifero o interruzione della corrente, attendere tra 3 e 5 minuti prima di accenderlo nuovamente. I tentativi di accensione effettuati prima di questo intervallo non avranno alcun esito.

## AVVERTENZA: GAS REFRIGERANTE INFIAMMABILE

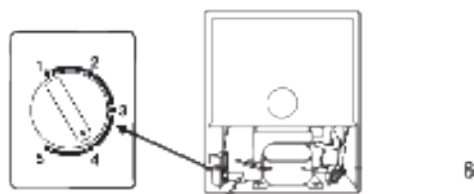
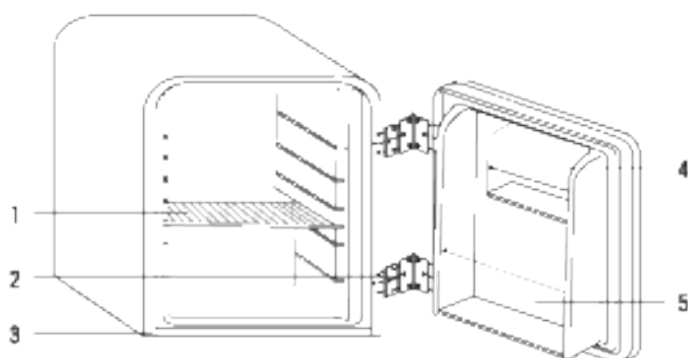
- Pericolo! Rischio di incendio ed esplosione. Il gas refrigerante è infiammabile e può essere manipolato solo da personale autorizzato. Non forare il tubo refrigerante.
- Precauzione! Rischio di incendio ed esplosione. Contattare la relativa autorità municipale per informazioni sullo smaltimento del RAEE per il riutilizzo, il riciclo e il recupero degli stessi. Il distributore o l'amministrazione locale forniranno le informazioni relative ai canali e alle possibilità più efficaci ed attuali disponibili per lo smaltimento di tali materiali in un'ottica ecosostenibile.
- Il circuito refrigerante contiene il gas refrigerante isobutano (R600a) che, nonostante offra un'ottima compatibilità ambientale, è infiammabile. Assicurarsi che durante il trasporto e l'installazione dell'elettrodomestico nessuna parte del circuito venga danneggiata.

**AVVERTENZA:** Non danneggiare il circuito refrigerante. Non utilizzare mai l'apparecchio se il circuito refrigerante è danneggiato! Se il circuito si rompe, non avvicinarlo a nessuna fonte di calore, innesco o fuoco. Ventilare efficacemente la stanza in cui si trova.

- Tentativi di riparazione dell'apparecchio svolti da personale non autorizzato possono avere conseguenze pericolose.
- La stanza in cui verrà posizionato il frigorifero dovrebbe essere di almeno 1 m<sup>3</sup> per ogni 8 g di refrigerante. La quantità e il tipo di refrigerante sono indicati nelle Specifiche tecniche.

- Non utilizzare altri apparecchi elettrici (una gelatiera, per esempio) dentro il frigorifero, a meno che tale utilizzo non sia stato approvato dal fabbricante.
- Non conservare all'interno dell'apparecchio sostanze esplosive, come bombolette per aerosol con propulsore infiammabile.
- Assicurarsi che durante il trasporto e l'installazione dell'elettrodomestico nessuna parte del circuito refrigerante venga danneggiata.
- Evitare fiamme libere e sorgenti d'incendio.
- Ventilare efficacemente la stanza in cui si trova.
- **Altare** le specifiche o il prodotto in qualche modo può avere conseguenze pericolose.
- Eventuali danni arrecati al cavo di alimentazione possono causare cortocircuito, incendio o scariche elettriche.
- L'elettrodomestico è pesante: prestare attenzione durante gli spostamenti. Per evitare lesioni alla schiena o di altro tipo, chiedere aiuto ad un'altra persona o richiedere assistenza meccanica per l'installazione.
- Evitare l'esposizione prolungata del frigorifero alla luce del sole.
- L'elettrodomestico è progettato solo per l'uso domestico.
- Qualsiasi componente elettrico (spina, cavo di alimentazione, compressore ecc.) deve essere sostituito dal personale autorizzato.
- **NON UTILIZZARE UNA PROLUNGA.** Utilizzare esclusivamente la presa a muro. Non collegare il frigorifero a una presa a cui sono collegati altri apparecchi.
- Verificare che il cavo sulla parte posteriore dell'elettrodomestico non sia schiacciato o danneggiato, visto che potrebbe surriscaldarsi e provocare un incendio.

## ELENCO DELLE PARTI



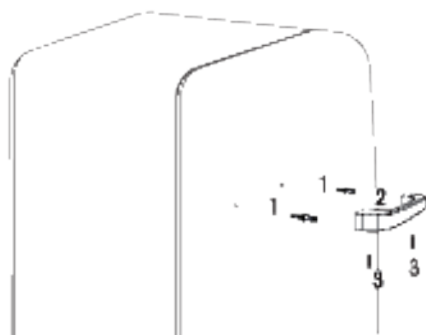
## APERTURA CONFEZIONE

- Il prodotto dispone di un imballaggio che lo protegge dai danni durante il trasporto. Rimuovere tutto il materiale di imballaggio presente attorno e dentro l'elettrodomestico, ma non rimuovere la schiuma isolante che avvolge i tubi nella parte posteriore. Conservare la scatola originale in cartone e i materiali in un luogo sicuro. Saranno utili per prevenire danni qualora in futuro si dovesse trasportare il materiale e per conservare il frigorifero durante periodi di inutilizzo. In caso di smaltimento del cartone, riciclare tutti i componenti compatibili.
- L'imballaggio in plastica può rappresentare un pericolo di asfissia per animali, neonati e bambini, pertanto, per motivi di sicurezza, è necessario gettarli tra i rifiuti riciclabili.
- Verificare che siano incluse tutte le parti indicate nelle pagine precedenti.
- Srotolare completamente il cavo e controllarlo, così da individuare eventuali possibili danni. Non utilizzare l'elettrodomestico se il frigorifero o il cavo di alimentazione presentano qualche danno o non funzionano correttamente. In caso di danno, consultare il nostro servizio postvendita per procedere alla riparazione o alla sostituzione del prodotto.
- Prima di pulire l'interno e gli accessori con acqua tiepida, panno morbido e sapone neutro, assicurarsi che il frigorifero sia scollegato dalla corrente. In questo modo, verrà rimossa la polvere e il tipico odore di un prodotto nuovo. Quindi, asciugarlo bene. Importante: non utilizzare detersivi o polveri abrasive poiché rovinano la rifinitura.

## INSTALLAZIONE DELLA MANIGLIA DELLA PORTA

A causa di restrizioni di imballaggio, la maniglia è smontata. È possibile inserirla facilmente, seguendo le istruzioni.

- Fissare le due viti (1) sulla porta.
- Inserire la maniglia in metallo (2) sulle due viti appena montate e fare in modo che coincidano con i due fori sulla maniglia.
- Stringere le due viti (3) sulla parte inferiore della maniglia.



## INSTALLAZIONE DEL FRIGORIFERO

Prima di installare il frigorifero nuovo, leggere attentamente il manuale e attenersi alle istruzioni seguenti:

1. Posizionare il frigorifero su un pavimento stabile e livellato affinché faccia meno rumore. Assicurarsi che il pavimento sia sufficientemente resistente per sopportare il peso dell'apparecchio a pieno carico.
2. Se fosse necessario posizionare il frigorifero su un tappeto, inserire un pannello in legno tra il frigorifero e il tappeto stesso. Posizionare il frigorifero su un tappeto potrebbe causare uno scolorimento di quest'ultimo, a causa del calore emesso dal compressore.
3. L'elettrodomestico è progettato per restare in posizione da solo e non per essere incassato o posizionato su un supporto.
4. Durante uno spostamento, non inclinare il frigorifero oltre i 45°.
5. Evitare le zone dove l'elettrodomestico sarebbe esposto a luce del sole, fonti di calore (fornelli, stufa, termosifone, ecc.), temperature ambientali molto basse o con molta umidità. Posizionarlo nella zona più fresca della stanza per risparmiare energia.



- **Maneggiare con cura!** Non esercitare pressione su nessun componente, come il condensatore o la porta. Le griglie metalliche presenti sulla parte inferiore del frigorifero possono avere dei bordi affilati: prestare sempre attenzione durante l'apertura della confezione. Non trascinare il frigorifero e collocarlo nella posizione finale con attenzione, affinché non graffi il pavimento.

#### Requisiti di spazio

- Posizionare il frigorifero in modo da lasciare abbastanza spazio per aprire la porta.
- Assicurarsi che l'aria possa circolare liberamente sulla parte posteriore del frigorifero affinché il compressore e il condensatore possano raffreddarsi. Lasciare almeno 100 mm di spazio sulla parte posteriore e 50 mm ai lati.

#### Allineamento

- Affinché possa funzionare correttamente, l'elettrodomestico deve essere allineato. Se non è dritto, le porte e la chiusura magnetica sigillata non saranno uniformi.
- Per allineare il frigorifero, regolare uno o entrambi i piedi dedicati della base.



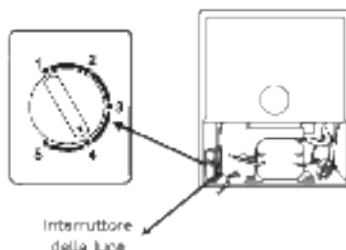
#### VALORI DEL TERMOSTATO

- Per far funzionare il frigorifero, ruotare la ghiera del termostato fino a raggiungere la temperatura desiderata. È possibile regolare la temperatura ruotando la manopola di controllo del termostato che si trova sulla parte superiore all'interno del frigorifero.
- I valori 0 (OFF) - 5 (MAX) regolano la temperatura interna del frigorifero.
  - Valore 0 (OFF): non funzionante. (Per spegnerlo, premere la manopola e ruotarla fino a raggiungere lo 0).
  - Valore 1 (Min.): valore più basso (temperatura interna più calda).
  - Valore 5 (Max.): valore più alto (temperatura interna più fredda).

**NOTA:** la temperatura del frigorifero varia a seconda delle lattine/bottiglie conservate all'interno e dalla frequenza con cui si apre la porta. La temperatura interna varia in diverse zone del frigorifero: la parte posteriore è quella più fredda. Mantenere le lattine e le bottiglie lontane dalla parte posteriore del frigorifero per evitare che si congelino e agevolare la circolazione dell'aria fredda.

**NOTA:** la posizione 0 (Spento) del termostato indica che il frigorifero è spento nonostante l'energia continui ad essere fornita. Ruotando la manopola del termostato verso sinistra, il frigorifero si accende automaticamente. Se il frigorifero non verrà utilizzato per un lungo periodo di tempo, scollegare la spina e lasciare la porta socchiusa.

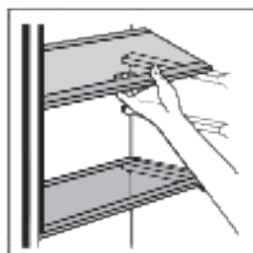
#### Posteriore





## CONSERVAZIONE DEGLI ALIMENTI

1. Lo scomparto del frigorifero è pensato per la conservazione di alimenti freschi a breve durata. La temperatura interna varia a seconda della quantità di alimenti conservata, della temperatura ambientale e della frequenza con cui si apre la porta. Regolare il termometro a seconda del caso.
2. Per buone prestazioni di raffreddamento e risparmiare energia, non lasciare aperto il frigorifero per molto tempo o troppo spesso. Non sovraccaricare il frigorifero e lasciare spazio tra gli alimenti, così che possa circolare l'aria fredda. Non bloccare i condotti di ventilazione.
3. È possibile regolare le ripiani ad altezze varie, a seconda delle necessità.



## CONSIGLI PER IL RISPARMIO DI ENERGIA

- Posizionare il frigorifero nella parte più fresca della stanza, lontano da elettrodomestici che producono calore e dalla luce diretta del sole.
- Prima di introdurli nel frigorifero, attendere che le bibite e gli alimenti caldi si siano raffreddati.
- Non sovraccaricare il frigorifero visto che il compressore impiegherebbe più tempo a funzionare.
- Avvolgere con cura gli alimenti e pulire e asciugare i contenitori prima di metterli nel frigorifero, per evitare la formazione del ghiaccio.
- Non avvolgere nessuno scomparto del frigorifero con alluminio, carta vegetale o tovaglioli di carta. Qualsiasi rivestimento interferisce con la ventilazione dell'aria e ciò riduce l'efficienza.
- Conservare gli alimenti in modo tale che l'aria intorno possa circolare.
- Non lasciare aperta la porta del frigorifero oltre il tempo necessario.
- Assicurarsi che gli alimenti non entrino in contatto con la parte posteriore degli scomparti.
- Non impostare il termostato su una temperatura troppo bassa.

## SI PARTE PER LE VACANZE?

- **Vacanze brevi:** in caso di vacanze inferiori a un mese, lasciare il frigorifero in funzionamento.
- **Vacanze lunghe:** se il frigorifero non verrà utilizzato per periodi di tempo lunghi, rimuovere tutti gli alimenti e scollegare la spina. Pulire e asciugare con attenzione l'interno. Per evitare la formazione di muffe o cattivi odori, lasciare la porta leggermente aperta (bloccarla affinché non si chiuda, se necessario). Impedire ai bambini l'ingresso nella stanza in cui il frigorifero è aperto, per evitare che vi restino incastrati.

## SPOSTAMENTO DEL FRIGORIFERO

1. Scollegare il frigorifero e rimuovere gli alimenti contenuti al suo interno.
2. Chiudere e attaccare le porte e il cavo di alimentazione con il nastro adesivo sulla parte posteriore del frigorifero. Prendere i componenti smontabili, avvolgerli e attaccarli con il nastro adesivo, così da impedirne il movimento durante il trasloco.
3. A seconda del modello, sollevare la parte anteriore del frigorifero per spostarlo più facilmente; in alternativa, avvitare verso il basso i piedi livellatori per evitare graffi sul pavimento.

**ATTENZIONE!** Non sollevare mai il frigorifero dalla porta.

4. Proteggere la parte esterna del prodotto con una coperta o un materiale morbido e imbottito e assicurarsi che il frigorifero resti fermo in posizione verticale durante il trasporto.

Prima di procedere alla pulizia, scollegare l'elettrodomestico dalla corrente.

### PULIZIA INTERNA

- Non versare acqua sull'elettrodomestico.
- Pulire regolarmente la cavità utilizzando una soluzione a base di bicarbonato e acqua tiepida (5 ml di acqua).
- Pulire separatamente gli accessori, utilizzando acqua e sapone. Non lavarli in lavastoviglie.
- Non utilizzare prodotti, detersivi o saponi abrasivi.
- Dopo la pulizia, sciacquarlo con acqua pulita e asciugarlo con cura.
- Al termine della pulizia di tutto il frigorifero, collegare nuovamente la spina con le mani asciutte.

### PULIZIA ESTERNA

- Pulire la parte esterna con acqua tiepida e sapone. NON utilizzare prodotti abrasivi.
- Nelle parti inferiori del prodotto sono presenti elementi appuntiti: prestare attenzione durante la pulizia.
- Una o due volte l'anno, rimuovere la polvere dalla parte posteriore del frigorifero e del compressore nella parte posteriore, utilizzando una spazzola o un aspiratore. L'accumulo di polvere può determinare un calo delle prestazioni dell'elettrodomestico e causare un maggiore consumo di energia.

### AVVERTENZA

- Non pulire mai l'apparecchio ricorrendo a prodotti acidi, abrasivi, oleosi o a base di solventi oppure spugne abrasive o pagliette. Non utilizzare mai liquidi infiammabili o spray per la pulizia, poiché i gas emessi da tali sostanze potrebbero comportare un rischio di incendio o di esplosione.
- Non pulire mai l'elettrodomestico con strumenti a vapore. Si potrebbe accumulare dell'umidità sui componenti elettrici e causare il pericolo di scariche elettriche! Il vapore caldo può danneggiare le parti in plastica.
- L'elettrodomestico deve essere completamente asciutto prima di rimetterlo in funzione.
- Oli essenziali e solventi organici (come, per esempio, il succo di limone o della buccia d'arancia) o detersivi che contengono acido acetico possono aggredire le parti in plastica. Evitare che tali sostanze entrino in contatto con le parti dell'elettrodomestico.

## RISOLUZIONE DEI PROBLEMI

PROBLEMA	CAUSA/SOLUZIONE
L frigorifero non funziona	Non è acceso. Collegarlo a una spina con presa a terra.
	Non c'è corrente. Verificare che la spina non sia difettosa.
	Si è bruciato un fusibile/è scattato l'interruttore. Sostituire il fusibile o posizionare nuovamente l'interruttore.
La temperatura dentro l'apparecchio non è abbastanza fredda.	Verificare che il voltaggio sia compatibile con l'elettrodomestico.
	È stata aggiunta da poco una grande quantità di alimenti caldi. È necessario far trascorrere diverse ore prima che ricadrà la temperatura normale.
	I controlli non sono regolati correttamente in base alle condizioni dell'ambiente.
	Verificare che l'apparecchio non sia esposto alla luce diretta del sole o troppo vicino a una fonte di calore.
	Verificare che la temperatura ambientale non superi i limiti di funzionamento dell'apparecchio.
	La porta dell'apparecchio vengono aperte spesso? Quando si apre la porta, l'umidità dell'aria della stanza entra nell'apparecchio, in particolare se i livelli sono molto alti. Più si apre la porta in condizioni umide, maggiori saranno le possibilità che si accumuli umidità.
La temperatura interna del frigorifero è troppo bassa.	La porta non è chiusa bene.
	La guarnizione in gomma non aderisce bene.
	Il frigorifero non dispone di spazio a sufficienza per la ventilazione sulla parte posteriore e ai lati.
	Aumentare la temperatura regolando il termostato su un valore più basso. La potenza più alta deve essere utilizzata solo per offrire un raffreddamento rapido ed è da impostare due ore prima della conservazione di una grande quantità di alimenti. Se non si procede in questo modo, la temperatura potrebbe scendere sotto il valore di 0°C, visto che il compressore rimarrebbe continuamente in funzione.
Condensa all'interno/esterno delle pareti del frigorifero.	Climi caldi e umidi aumentano la formazione di brina all'interno. Si tratta di un fenomeno normale.
Cattivi odori	Verificare che gli alimenti e le bottiglie conservate nel frigorifero non siano scaduti e che siano correttamente chiusi. Se non lo fossero, eliminarli o ripararli con cura nei contenitori.
	Verificare che non si sia versato alcun liquido. Qualsiasi versamento di liquidi, rasciurati e non puliti può causare cattivi odori.
Le porte non si chiudono bene.	Verificare che nessun oggetto ostruisca la chiusura della porta.
	Verificare che i ripiani e gli scomparti siano ben inseriti al loro posto.
	Verificare che la guarnizione della porta non si sia deformata o strappata.
	Verificare che l'elettrodomestico sia allineato.

PROBLEMA	CAUSA/SOLUZIONE
Rumori strani.	Verificare che l'apparecchio si trovi su una superficie piana, allineata e stabile. Controllare le parti esterne del frigorifero e assicurarsi che non entrino in contatto con altri oggetti.
	Rumore di gonfiaggio e bolle: si produce a causa del passaggio del liquido refrigerante all'interno dei tubi del sistema. Si tratta di un fenomeno normale.
	Suono di acqua che scorre: si tratta di un fenomeno normale a causa dello scarico dell'acqua dovuto al processo di scongelamento.
	Se l'elettrodomestico funziona rumorosamente (rumori del compressore): Si tratta di un fenomeno normale. Indica che il compressore sta funzionando normalmente. A causa dell'alimentazione del compressore, questo può emettere un rumore durante un breve lasso di tempo.
	La contrazione e l'espansione dell'interno delle pareti può generare suoni di crepitio e colpi.
La porta non si apre.	Se la porta è stata coperta aperta, lasciarla chiusa per qualche minuto, affinché la pressione dell'aria si stabilizzi, prima di riprovare.
Il compressore funziona continuamente.	La temperatura impostata è troppo bassa: impostarne una più elevata.
	La porta è aperta oppure qualcosa ostacola la chiusura.
	Le guarnizioni di gomma sono consumate, sporche o rotte.
	Nel frigorifero è stata inserita una grande quantità di alimenti.
La superficie esterna del frigorifero è calda.	La temperatura della stanza è più alta del normale.
	Le pareti esterne possono essere più calde della temperatura della stanza. È normale durante il funzionamento del compressore, poiché estrae il calore dall'interno del frigorifero.

## RIMOZIONE DELL'IMBALLAGGIO E SMALTIMENTO DEGLI APPARECCHI USATI

**Verificare che tutte le chiusure siano inutilizzabili, rimuovere la/e porta/e e smaltirle separatamente.**

**Avvertenza – rischi chimici: Impedire ai bambini di giocare con gli elettrodomestici obsoleti. Contattare l'autorità municipale di riferimento per informazioni sulla procedura di smaltimento.**

- Prima di smaltire un elettrodomestico obsoleto, verificare che sia spento e messo in sicurezza. Scollegare l'apparecchio e rompere ogni chiusura per evitare che i bambini possano restarvi incastrati.
- Il sistema di refrigerazione contiene gas e sostanze refrigeranti che necessitano di una gestione dei rifiuti specializzata.
- Ricorrendo agli adeguati metodi di smaltimento non inquinanti, si contribuisce al rispetto dell'ambiente.
- Impedire che animali e bambini giochino con l'imballaggio ed eliminare in modo appropriato i sacchetti in plastica.
- È possibile strappare il cartone o tagliarlo in pezzi più piccoli, riciclandolo. L'imballaggio è fabbricato in polietilene. I cuscinetti e l'imbottitura in polietilene non contengono idrocarburi fluorurati, pertanto sono adatti al riciclo.

**AVVERTENZA!** Affinché i bambini non restino chiusi mentre giocano, se questo apparecchio è pensato per sostituirne un altro dotato di chiusura:

- rompere o rimuovere tale chiusura come misura di sicurezza, prima di riportlo.
- Rimuovere le porte.
- Lasciare i ripiani al loro posto, cosicché i bambini non possano salirvi con facilità.
- Tagliare il cavo di collegamento il più vicino possibile all'elettrodomestico.
- Se l'apparecchio, dotato di chiusura magnetica sulla porta, ne sostituirà uno obsoleto dotato di una molla di sicurezza sulla porta o sul coperchio, prima di smaltire l'apparecchio obsoleto assicurarsi che la molla non possa essere riutilizzata. In questo modo si riduce il rischio che bambini o animali possano restarvi incastrati all'interno.

Vielen Dank, dass Sie sich für unseren Kühlschrank entschieden haben. Bevor Sie dieses Haushaltsgerät verwenden und um die optimale Bedienung sicherzustellen, lesen Sie bitte diese Anleitung aufmerksam durch.

Die hier angegebenen Sicherheitsvorkehrungen verringern bei ordnungsgemäßer Einhaltung das Brandrisiko, das Risiko von elektrischen Entladungen und von Verletzungen. Bewahren Sie die Anleitung zur späteren Einsichtnahme wie auch die Garantie, den Einkaufsbeleg und die Verpackung an einem sicheren Ort auf. Händigen Sie gegebenenfalls die Anleitung an den nächsten Besitzer des Haushaltsgeräts aus. Befolgen Sie stets die grundlegenden Sicherheitsanweisungen sowie die Vorkehrungen zur Risikoprävention, wenn Sie ein Haushaltsgerät verwenden. Der Hersteller übernimmt keine Verantwortung für Schäden infolge Nichtbefolgung dieser Anweisungen durch den Benutzer.

## SICHERHEITSANWEISUNGEN

---

Bei der Verwendung eines beliebigen Elektrogeräts sind stets die grundlegenden Sicherheitsvorkehrungen zu befolgen.

- Stellen Sie sicher, dass die Netzspannung und -frequenz den Angaben auf dem Typenschild des Geräts entsprechen. Sollte dies nicht der Fall sein, wenden Sie sich an den Kundendienst und benutzen Sie den Kühlschrank nicht.
- Schließen Sie keine anderen Geräte gleichzeitig an denselben Stromkreis an, weil dadurch der Stromkreis überlastet werden kann und die Sicherungen durchbrennen oder einen Kurzschluss verursachen können.
- Tauchen Sie das Kabel, den Stecker, den Elektrosockel oder das Gehäuse des Kühlschranks nicht ein, um Feuer und Stromschläge zu vermeiden. Bringen Sie die elektrischen Anschlüsse nicht mit Flüssigkeit in Berührung.
- Das Anschlusskabel sollte so verlegt werden, dass niemand versehentlich daran ziehen oder darüber stolpern kann.
- Das Anschlusskabel darf nicht verdreht, geknickt, gequetscht, gedrückt oder beschädigt werden und sollte vor scharfen Kanten und vor Hitze geschützt werden.
- Wenn Sie den Kühlschrank vom Stromnetz trennen, ziehen Sie immer am Stecker, nicht am Kabel.
- Lassen Sie das Kabel nicht über die Kante eines Tisches oder einer Arbeitsplatte hängen. Lassen Sie sie nicht mit Wärmequellen oder heißen Oberflächen in Kontakt kommen.
- Heben Sie das Gerät nicht an und betreiben Sie es nicht, wenn das Anschlusskabel oder der Stecker beschädigt sind, wenn der Kühlschrank nicht ordnungsgemäß funktioniert, heruntergefallen oder in sonstiger Weise beschädigt ist.
- Im Falle von Betriebsstörungen setzen Sie sich bitte mit dem Kundendienst in Verbindung.
- Lassen Sie ein beschädigtes Kabel oder Stecker nur von autorisiertem Fachpersonal austauschen, um Risiken zu vermeiden.
- Stellen Sie sicher, dass alle elektrischen Anschlüsse sauber und trocken sind, bevor Sie den Kühlschrank anschließen.
- Schließen Sie dieses Haushaltsgerät nicht an ein Verlängerungskabel an.
- Trennen Sie das Gerät vom Stromnetz, wenn es nicht gebraucht wird, bevor Sie es reinigen oder bewegen.
- Dieses Gerät ist nicht für die Verwendung mit einer externen Zeitschaltuhr oder einer unabhängigen Fernbedienung bestimmt.
- Dieses Gerät ist ausschließlich für den Hausgebrauch bestimmt.
- Dieses Haushaltsgerät ist nicht für gewerbliche Zwecke konzipiert. Nicht im Freien verwenden.
- Verwenden Sie diesen Kühlschrank nur entsprechend den Angaben in der Bedienungsanleitung. Unsachgemäße Installation sowie die Verwendung von Zubehör, das nicht vom Hersteller empfohlen wird, oder eine andere nicht genannte Verwendung können zu Bränden, Stromschlägen oder Verletzungen führen.
- Der Hersteller haftet nicht für Schäden, die durch unsachgemäßen Gebrauch verursacht werden.
- Der Kühlschrank ist nicht für den Gebrauch durch Personen mit eingeschränkten körperlichen, sensorischen oder geistigen Fähigkeiten, mangelnder Erfahrung und mangelndem Wissen vorgesehen, es sei denn, sie wurden von der für ihre Sicherheit verantwortlichen Person in den Gebrauch des Geräts unterwiesen.



- Kinder sind zu beaufsichtigen, um sicherzustellen, dass sie nicht mit dem Gerät spielen. Überwachen Sie sie sorgfältig, wenn Sie ein Gerät in Ihrer Nähe verwenden.
- Verwenden Sie keine chemischen Produkte, Stahlschwämme oder Scheuermittel, um die Außenseite Ihres Kühlschranks zu reinigen, um die Oberfläche nicht zu beschädigen.
- Vergewissern Sie sich, dass alle Teile korrekt eingesetzt sind, bevor sie ihn wieder verwenden.
- Warten Sie das Gerät gemäß den Anweisungen, um einen einwandfreien Betrieb zu gewährleisten.
- Wenn ein Fehler vorliegt oder das Produkt beschädigt ist, wenden Sie sich an den Kundendienst.
- Wenn Sie bemerken, dass der Kühlschrank Rauch entwickelt oder seltsam riecht, ziehen Sie sofort den Netzstecker und rufen Sie den Kundendienst an.
- Stellen Sie ihn auf eine glatte, starre und stabile Oberfläche, fern von direkter Sonneneinstrahlung oder übermäßiger Hitze.
- Stellen Sie den Kühlschrank nicht in der Nähe von Wärmequellen wie Heizkörpern, Heizgeräten, Öfen oder anderen Haushaltsgeräten auf, die Wärme erzeugen.
- Stellen Sie das Gerät nicht in der Nähe anderer Gegenstände auf, die es beschädigen könnten, z. B. Flammen (brennende Kerzen) oder Gegenstände, die Wasser enthalten (eine Vase oder ein Glas).
- Achten Sie darauf, dass keine Gegenstände auf den Kühlschrank fallen und dass keine Flüssigkeiten durch die Öffnungen gelangen können.
- Der Hersteller haftet nicht für Verletzungen oder Sachschäden, wenn die obigen Hinweise und Vorsichtsmaßnahmen nicht beachtet werden.
- Überhitzung vermeiden: Stellen Sie das Gerät an einem gut belüfteten Ort auf. Achten Sie darauf, dass die Luft gut entlang der Rückseite des Kühlschranks zirkuliert.
- Um eine bessere Leistung zu gewährleisten, sollte ein Abstand von ca. 100 mm auf jeder Seite des Kühlschranks und auf der Rückseite eingehalten werden.
- Dieses Gerät verfügt über ein kurzes Anschlusskabel, um die Gefahr von Kabelsalat und Stolpern zu verringern. Von der Verwendung eines Verlängerungskabels wird abgeraten.
- Das Gerät keine Teile, die vom Benutzer repariert oder ausgetauscht werden können. Versuchen Sie nicht, selbst Teile auszutauschen, sondern wenden Sie sich an den Kundendienst.
- Warten Sie vor dem ersten Gebrauch mindestens 8 Stunden, bevor Sie das Gerät anschließen, damit das Öl wieder in den Kompressor zurückfließen kann.
- Die Luft sollte den Kühlschrank umströmen können, um eine Überhitzung zu vermeiden. Befolgen Sie die Anweisungen zur Installation, um eine gute Belüftung zu gewährleisten.
- Das Gerät darf nicht in der Nähe von Heizkörpern oder Öfen aufgestellt werden.
- Achten Sie darauf, dass der Stecker nach der Installation des Kühlschranks zugänglich ist.

## TÄGLICHER GEBRAUCH

- Stellen Sie keine heißen Speisen in den Kühlschrank.
  - Wenn Sie vorgekochte Speisen verwahren, befolgen Sie die Packungsanweisungen.
- ACHTUNG!** Verwenden Sie keine mechanischen Geräte oder andere Mittel, um den Abtauvorgang zu beschleunigen.
- Verwenden Sie niemals ein Metallinstrument, um Eis zu entfernen oder den Kühlschrank zu reinigen. Falls erforderlich, verwenden Sie einen Kunststoffspatel.
  - Befolgen Sie unbedingt die Lagerungsempfehlungen. Schlagen Sie in der entsprechenden Anleitung nach.
  - Wenn der Kühlschrank ausgeschaltet wird oder der Strom ausfällt, sollten Sie 3 bis 5 Minuten warten, bevor Sie ihn wieder einschalten. Wenn Sie versuchen, ihn früher neu zu starten, wird er sich nicht einschalten.

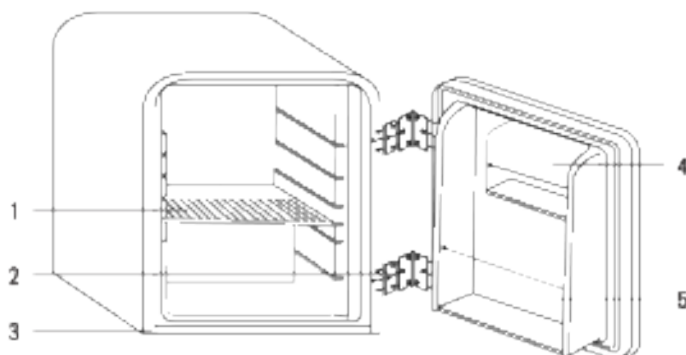
## ACHTUNG: BRENNBARES KÄLTEMITTELGAS

- Vorsicht! Brand- und Explosionsgefahr. Das Kältemittelgas ist brennbar und darf nur von autorisiertem Personal gehandhabt werden. Die Kältemittelleitung darf nicht durchbohrt werden.
- Achtung! Brand- und Explosionsgefahr. Bitte wenden Sie sich an die zuständige Stadtverwaltung, um Informationen zur Entsorgung von elektrischen oder elektronischen Altgeräten zur Wiederverwendung, zum Recycling und zur Verwertung zu erhalten. Ihr Händler oder Ihre örtliche Verwaltung informiert Sie gerne über die effektivsten und aktuellsten Wege und Möglichkeiten zur umweltschonenden Entsorgung dieser Materialien.

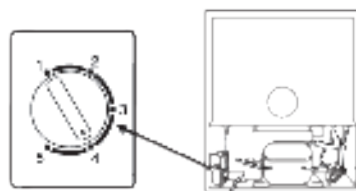
Der Kältemittelkreislauf enthält das Kältemittelgas Isobutan (R600a). Trotz der guten Umweltverträglichkeit ist es jedoch entflammbar. Achten Sie darauf, dass während des Transports und der Installation des Geräts kein Teil des Stromkreises beschädigt wird.

- **ACHTUNG:** Kältemittelkreislauf nicht beschädigen! Verwenden Sie niemals ein Gerät mit beschädigtem Kältemittelkreislauf! Wenn der Kreislauf beschädigt wird, bringen Sie ihn keinesfalls in die Nähe von Wärme-, Zünd- oder Feuerquellen. Lüften Sie den Raum, in dem er sich befindet, gründlich.
- Es ist gefährlich, wenn nicht autorisiertes Personal versucht, das Gerät zu reparieren.
- Der Raum, in dem der Kühlschrank aufgestellt werden soll, sollte mindestens 1 m<sup>3</sup> Volumen je 8 g Kältemittel umfassen. Menge und Art des Kältemittels sind in den technischen Daten angegeben.
- Verwenden Sie keine anderen elektrischen Geräte (wie z. B. Eismaschinen) innerhalb des Kühlschranks, es sei denn, der Hersteller hat dies genehmigt.
- Lagern Sie in diesem Gerät keine explosiven Substanzen wie Sprühdosen mit brennbarem Treibmittel.
- Stellen Sie sicher, dass während des Transports und der Installation des Haushaltsgeräts kein Teil des Kältemittelkreislaufs beschädigt wird.
- Vermeiden Sie offenes Feuer und Zündquellen.
- Lüften Sie den Raum, in dem er sich befindet, gründlich.
- Es ist gefährlich, die technischen Daten zu ändern oder dieses Produkt in irgendeiner Weise zu modifizieren.
- Jegliche Beschädigung des Anschlusskabels kann einen Kurzschluss, einen Brand oder einen Stromschlag verursachen.
- Dieses Gerät ist schwer. Seien Sie vorsichtig, wenn Sie es bewegen. Um Rückenschmerzen oder andere Verletzungen zu vermeiden, bitten Sie jemanden um Hilfe oder ziehen Sie bei der Installation mechanische Hilfe in Betracht.
- Vermeiden Sie es, den Kühlschrank längere Zeit dem Sonnenlicht auszusetzen.
- Dieses Gerät ist ausschließlich für den Hausgebrauch bestimmt.
- Alle elektrischen Komponenten (Stecker, Anschlusskabel, Kompressor usw.) müssen von autorisiertem Personal ausgetauscht werden.
- **VERWENDEN SIE KEIN VERLÄNGERUNGSKABEL.** Verwenden Sie ausschließlich die Steckdose in der Wand. Schließen Sie den Kühlschrank nicht an eine Steckdose an, an der andere Geräte angeschlossen sind.
- Achten Sie darauf, dass das Kabel nicht durch die Rückseite des Geräts gequetscht oder beschädigt wird, denn es könnte sich überhitzen und einen Brand verursachen.

## TEILELISTE



1. Höhenverstellbare Ablagen
2. Scharnier
3. Verstellbare FüÙe
4. Ablagen in der Tür
5. Metallhalterung für Flaschen
6. Regulierbares Thermostat



6

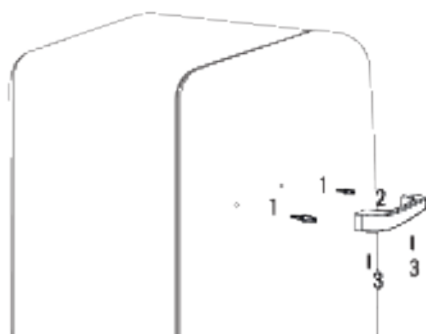
## AUSPACKEN

- Dieses Produkt wurde so verpackt, dass es gegen Beschädigung auf dem Transportweg geschützt ist. Entfernen Sie das gesamte Verpackungsmaterial um das Gerät herum und im Inneren des Geräts. Entfernen Sie jedoch nicht den Isolierschaum um die Rohre auf der Rückseite. Bewahren Sie den Originalkarton und das Originalmaterial an einem sicheren Ort auf. Dies hilft, Schäden zu vermeiden, falls Sie das Material in Zukunft transportieren müssen, und kann zum Aufbewahren des Kühlschranks verwendet werden, wenn Sie ihn nicht gebrauchen. Falls Sie den Karton entsorgen müssen, recyceln Sie bitte so viel wie möglich davon.
- Plastikverpackungen können eine Erstickungsgefahr für Haustiere, Babys und Kinder darstellen. Werfen Sie sie daher aus Sicherheitsgründen in den Recyclingmüll.
- Überprüfen Sie, ob Sie alle auf den vorherigen Seiten angegebenen Teile erhalten haben.
- Rollen Sie das Kabel vollständig ab und untersuchen Sie es auf mögliche Schäden. Verwenden Sie das Haushaltsgerät nicht, wenn der Kühlschrank oder das Anschlusskabel beschädigt sind oder nicht richtig funktionieren. Wenden Sie sich im Schadensfall an unseren Kundendienst, um das Produkt reparieren oder austauschen zu lassen.
- Achten Sie darauf, dass der Kühlschrank vom Stromnetz getrennt ist, bevor Sie den Innenraum und das gesamte innere Zubehör mit warmem Wasser, einem weichen Tuch und neutraler Seife reinigen. Dadurch wird Staub entfernt und der typische Geruch von neuen Produkten beseitigt. Anschließend gut abtrocknen. Wichtig: Verwenden Sie keine Reinigungsmittel oder Scheuermittel, die die Oberfläche beschädigen.

## ANBRINGEN DES TÜRGRIFFS

Aus verpackungstechnischen Gründen wird der Türgriff separat geliefert. Er kann ganz einfach nach folgenden Anweisungen montiert werden:

- Befestigen Sie die zwei Schrauben (1) an der Tür.
- Platzieren Sie den Metallgriff (2) auf die soeben angebrachten beiden Schrauben, die mit den beiden Löchern am Griff übereinstimmen sollten.
- Drehen Sie beiden Schrauben (3) auf der Innenseite des Griffs fest.



## INSTALLATION DES KÜHLSCHRANKS

Lesen Sie vor der Installation Ihres neuen Kühlschranks die Bedienungsanleitung sorgfältig durch und befolgen Sie diese Anweisungen:

1. Stellen Sie den Kühlschrank auf einen stabilen und ebenen Boden, um die Geräuschentwicklung zu reduzieren. Achten Sie darauf, dass der Boden stark genug ist, um das Gewicht des Kühlschranks zu tragen, wenn er vollständig gefüllt ist.
2. Falls Sie den Kühlschrank auf einen Teppich stellen, legen Sie ein Holzbrett zwischen Teppich und Kühlschrank. Denken Sie daran, dass beim Aufstellen des Kühlschranks auf einem Teppich die vom Kompressor abgegebene Wärme den Teppich verfärben kann.
3. Dieses Gerät ist so konzipiert, dass es sich selbst hält und nicht eingebaut oder auf einer Halterung steht.
4. Wenn Sie den Kühlschrank bewegen, darf er höchstens um 45° gekippt werden.
5. Vermeiden Sie Bereiche, in denen das Gerät Sonnenlicht oder Wärmequellen (Herd, Ofen,

Heizkörper usw.) ausgesetzt ist, ebenso wie sehr niedrige Umgebungstemperaturen oder hohe Luftfeuchtigkeit. Die Installation im kühlsten Bereich des Raums spart Energie.

Gehen Sie vorsichtig vor! Üben Sie keine Gewalt auf Teile wie den Kondensator oder die Tür aus. Die Metallschienen unter dem Kühlschrank können scharfe Kanten haben. Packen Sie ihn daher immer vorsichtig aus. Ziehen Sie den Kühlschrank nicht, sondern stellen Sie ihn vorsichtig an seinen Standort, damit der Boden nicht zerkratzt wird.

#### Platzbedarf

- Stellen Sie den Kühlschrank so auf, dass genügend Platz zum Öffnen der Tür vorhanden ist.
- Achten Sie darauf, dass die Luft im hinteren Bereich des Kühlschranks ungehindert zirkulieren kann, damit der Kompressor und der Kondensator abkühlen können. Lassen Sie mindestens 100 mm Abstand auf der Rückseite und 50 mm an den Seiten.

#### Nivellierung

- Das Haushaltsgerät muss waagrecht stehen, damit es korrekt funktioniert. Wenn es nicht richtig nivelliert ist, werden die Türen und die Ausrichtung der Magnetdichtung nicht richtig abgedeckt.
- Um den Kühlschrank zu nivellieren, verstellen Sie einen oder beide Stellfüße am Boden.



#### EINSTELLUNGEN AM THERMOSTAT

- Drehen Sie den Thermostatknopf auf die gewünschte Temperatur, um den Kühlschrank in Betrieb zu nehmen. Sie können die Temperatur einstellen, indem Sie am Thermostatregler oben auf der Innenseite des Kühlschranks drehen.

- Die Einstellungen 0 (OFF) - 5 (MAX) regeln die Innenraumtemperatur des Kühlschranks.

Einstellung 0 (OFF): Nicht betriebsbereit (Zum Ausschalten drücken Sie bitte auf den Drehknopf und drehen Sie ihn auf 0.)

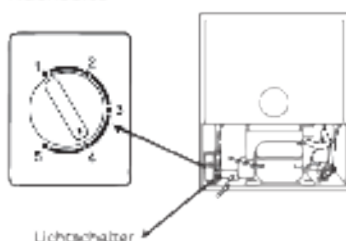
Einstellung 1 (Min.): Niedrigste Stufe (wärmere Innentemperatur).

Einstellung 5 (Max.): Höchste Stufe (Kälteste Innentemperatur).

**ANMERKUNG:** Die Temperatur des Kühlschranks richtet sich nach der Menge der darin aufbewahrten Dosen / Flaschen und wie oft die Tür geöffnet wird. Die Innentemperatur schwankt zwischen den verschiedenen Bereichen im Inneren des Kühlschranks. Die Rückseite ist der kälteste Bereich. Bitte halten Sie Dosen und Flaschen von der Rückseite des Kühlschranks fern, um ein Gefrieren zu verhindern und die Kaltluftzirkulation zu erleichtern.

**ANMERKUNG:** Die Einstellung 0 (Aus) des Thermostats zeigt an, dass der Kühlschrank ausgeschaltet ist, obwohl er noch mit Strom versorgt wird. Wenn Sie den Thermostatknopf nach links drehen, schaltet sich der Kühlschrank automatisch ein. Wenn der Kühlschrank längere Zeit nicht benutzt wird, ziehen Sie den Netzstecker und lassen Sie die Tür angelehnt.

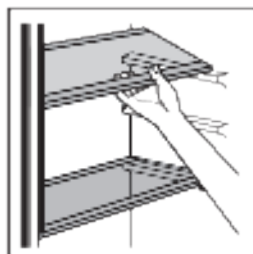
Rückseite





## LAGERUNG VON LEBENSMITTELN

1. Das Kühlfach ist zur kurzfristigen Aufbewahrung von frischen Lebensmitteln geeignet. Die Innentemperatur schwankt je nach der gelagerten Lebensmittelmenge, der Raumtemperatur und der Häufigkeit, mit der die Tür geöffnet wird. Stellen Sie den Thermostat entsprechend ein.
2. Lassen Sie den Kühlschrank nicht zu lange oder zu oft offen, um eine gute Kühlwirkung zu erzielen und Energie zu sparen. Überladen Sie den Kühlschrank nicht und lassen Sie ausreichend Platz zwischen den Lebensmitteln, damit kalte Luft strömen kann. Versperren Sie nicht die Belüftungskanäle.
3. Die Einlegeböden können je nach Bedarf auf unterschiedliche Höhen eingestellt werden.



## EMPFEHLUNGEN ZUM ENERGIESPAREN

- Stellen Sie den Kühlschrank an der kältesten Stelle des Raums auf, fern von Geräten, die Wärme erzeugen, und fern von direkter Sonneneinstrahlung.
- Warten Sie, bis heiße Speisen und Getränke abgekühlt sind, bevor Sie sie in den Kühlschrank stellen.
- Überladen Sie den Kühlschrank nicht, da der Kompressor dadurch länger arbeiten muss.
- Wickeln Sie die Lebensmittel gut ein und reinigen und trocknen Sie die Behälter, bevor Sie sie in den Kühlschrank stellen, um die Eisbildung zu verhindern.
- Kleiden Sie keinen Bereich des Kühlschranks mit Aluminiumfolie, Pergamentpapier oder Papierservietten aus. Jegliche Auskleidung stört die Luftzirkulation, was sich negativ auf die Leistung auswirkt.
- Lagern Sie die Lebensmittel so, dass Luft um sie herum strömen kann.
- Lassen Sie die Kühlschranktür nicht länger als nötig offen.
- Achten Sie darauf, dass die Lebensmittel nicht die Rückseite der Fächer berühren.
- Stellen Sie den Thermostat nicht auf eine extrem niedrige Temperatur ein.

## SIE WOLLEN VERREISEN?

- **Bei kurzer Abwesenheit:** Lassen Sie den Kühlschrank bei Abwesenheit von weniger als einem Monat in Betrieb.
- **Bei langer Abwesenheit:** Wenn Sie den Kühlschrank längere Zeit nicht benutzen, entfernen Sie alle Lebensmittel und ziehen Sie den Netzstecker. Säubern und trocknen Sie den Innenraum gründlich. Um Gerüche und Schimmelbildung zu vermeiden, lassen Sie die Tür leicht geöffnet (legen Sie ggf. etwas dazwischen, damit sie nicht zufallen kann). Beschränken Sie den Zugang von Kindern zum Raum, während der Kühlschrank geöffnet ist, damit sie sich nicht einklemmen können.

## KÜHLSCHRANK BEWEGEN

1. Ziehen Sie den Netzstecker und entfernen Sie alle Lebensmittel aus dem Kühlschrank.
2. Schließen und sichern Sie die Türen und das Anschlusskabel mit Klebeband auf der Rückseite des Kühlschranks. Entfernen Sie alle abnehmbaren Teile, wickeln Sie sie gut ein und kleben Sie sie mit Klebeband fest, damit sie sich während des Transports nicht bewegen können.
3. Je nach Modell heben Sie die Vorderseite des Kühlschranks an, damit er leichter rollt, oder schrauben Sie die Stellfüße nach oben, damit sie den Boden nicht zerkratzen.



**VORSICHT!** Heben Sie den Kühlschrank niemals an der Tür an.

4. Schützen Sie das Äußere des Produkts mit einer Decke oder einem weichen, gepolsterten Element und achten Sie darauf, dass der Kühlschrank während des Transports sicher und aufrecht steht.

---

## REINIGUNG UND PFLEGE

---

Trennen Sie das Haushaltsgerät vom Stromnetz, bevor sie es reinigen.

### INNENREINIGUNG

- Gießen Sie kein Wasser auf das Gerät.
- Reinigen Sie den Innenraum regelmäßig mit einer Lösung aus Backpulver und lauwarmem Wasser (5 ml / 0,5 l Wasser).
- Das Zubehör säubern Sie separat mit Wasser und Seife. Legen Sie sie nicht in die Spülmaschine.
- Verwenden Sie keine scheuernden Putz- oder Reinigungsmittel oder Seifen.
- Nach der Reinigung mit klarem Wasser abspülen und sorgfältig trocknen.
- Wenn Sie mit der Reinigung des gesamten Kühlschranks fertig sind, schließen Sie den Stecker wieder mit trockenen Händen an.

### AUSSENREINIGUNG

- Reinigen Sie die Außenflächen mit wärmerem Wasser und Seife. KEINE scheuernden Putzmittel verwenden.
- Die unteren Teile des Produkts sind scharfkantig. Seien Sie beim Reinigen vorsichtig.
- Entfernen Sie ein- bis zweimal im Jahr mit einer Bürste oder einem Staubsauger den Staub von der Rückseite des Kühlschranks und dem Kompressor auf der Rückseite. Staubablagerungen können die Leistung des Geräts beeinträchtigen und den Energieverbrauch erhöhen.

### ACHTUNG

- Reinigen Sie das Gerät niemals mit säurehaltigen, scheuernden oder öligen Reinigungsmitteln, auf Lösemittelbasis, mit Scheuer- oder Kratzschwämmen. Verwenden Sie niemals brennbare Flüssigkeiten oder Sprays zum Reinigen, da die von diesen Substanzen ausgestoßenen Gase eine Feuer- oder Explosionsgefahr darstellen können.
- Reinigen Sie das Gerät niemals mit einem Dampfreiniger. In den elektrischen Bauteilen kann sich Feuchtigkeit ansammeln und einen Stromschlag verursachen! Heiße Dämpfe können die Kunststoffteile beschädigen.
- Das Gerät muss vollständig trocken sein, bevor Sie es wieder in Betrieb nehmen.
- Ätherische Öle und organische Lösungsmittel (wie Zitronensaft oder Orangenschalensaft) oder essigsäurehaltige Reiniger können die Kunststoffteile angreifen. Lassen Sie diese Substanzen mit keinem Teil des Haushaltsgeräts in Berührung kommen.

## PROBLEMLÖSUNG

PROBLEM	URSACHE/LÖSUNG
Der Kühlschrank funktioniert nicht.	Er ist nicht eingeschaltet. Schließen Sie ihn an eine geerdete Steckdose an.
	Er hat keinen Strom. Überprüfen Sie, dass der Stecker nicht beschädigt ist.
	Die Sicherung ist durchgebrannt / der Schutzschalter ist heraus gesprungen. Tauschen Sie die Sicherung aus oder setzen Sie den Schutzschalter zurück.  Stellen Sie sicher, dass die Spannung für das Gerät korrekt ist.
Die Temperatur im Inneren des Geräts ist nicht kalt genug.	Große Menge an warmer Speisen vor kurzem hinein gestellt. Warten Sie einige Stunden, bis die normale Temperatur wieder erreicht ist.
	Die Regler sind nicht richtig an die Umgebungsbedingungen angepasst.
	Überprüfen Sie, dass das Gerät nicht direktem Sonnenlicht, ausgesetzt ist, oder zu nahe an einer Wärmequelle steht.
	Überprüfen Sie, dass die Umgebungstemperatur innerhalb der Betriebsgrenzen des Geräts liegt.
	Öffnen sich Türen des Geräts häufig? Sobald die Tür geöffnet ist, gelangt die in der Raumluft enthaltene Luftfeuchtigkeit in das Gerät, insbesondere wenn die Luftfeuchtigkeit im Raum sehr hoch ist. Je häufiger die Tür bei feuchter Umgebung geöffnet wird, desto größer ist die Wahrscheinlichkeit, dass sich Feuchtigkeit ansammelt.
	Die Tür ist nicht richtig geschlossen.
Die Gummidichtung ist nicht ganz dicht.	
Der Kühlschrank hat nicht genug Platz, um von hinten und von den Seiten zu belüften.	
Die Temperatur im Kühlschrank ist zu niedrig.	Erhöhen Sie die Temperatur, indem Sie den Thermostat auf eine niedrigere Einstellung drehen. Die höchste Leistung sollte nur als Schnellkühlmodus verwendet werden und sollte nur zwei Stunden lang eingestellt werden, bevor eine große Menge Lebensmittel gelagert werden soll. Wenn dies nicht der Fall ist, könnte die Temperatur unter 0 °C sinken, da der Kompressor im Dauerbetrieb wäre.
Kondensation innerhalb / außerhalb an der Kühlschrankwänden.	Warmes und feuchtes Klima erhöht die Eisbildung im Inneren. Das ist normal.
Schlechter Geruch.	Überprüfen Sie, dass die Lebensmittel und Getränke, die Sie im Kühlschrank aufbewahren, nicht abgelaufen und ordnungsgemäß verpackt sind. Wenn nicht, werfen Sie sie weg oder verpacken Sie sie gut.
	Sehen Sie nach, ob etwas verschüttet wurde. Verschüttetes Material, das nicht beachtet und nicht gereinigt wurde, kann unerwünschte Gerüche verursachen.
Die Türen schließen nicht richtig.	Achten Sie darauf, dass kein Gegenstand das Schließen der Tür behindert.
	Überprüfen Sie, dass sowohl die Einlegeböden als auch die Fächer ordentlich eingerastet sind.
	Sehen Sie nach, ob die Türdichtung nicht verformt oder eingerissen ist.
	Stellen Sie sicher, dass das Gerät waagrecht steht.

PROBLEM	URSACHE/LÖSUNG
	Stellen Sie sicher, dass das Gerät auf einer flachen, ebenen und stabilen Fläche steht.
	Schauen Sie sich im Bereich des Kühlschranks um und stellen Sie sicher, dass kein anderer Gegenstand berührt wird.
	Glückendes, sprudelndes Geräusch: Dies entsteht, wenn das Kältemittel durch die Leitungen des Kühlsystems läuft. Das ist normal.
Seltsame Geräusche.	Geräusch von fließendem Wasser: Das ist normal, es handelt sich um Wasser, das beim Abtauen in den Abfluss fließt.
	Wenn das Haushaltsgerät sehr laut arbeitet (Kompressorgeräusch): Das ist normal. Dies zeigt an, dass der Kompressor normal arbeitet. Wenn der Kompressor anspringt, kann es für kurze Zeit zu Lärmentwicklung kommen.
	Das Zusammenziehen und Ausdehnen des Innenraums der Wände kann Knack- und Schnelzgeräusche verursachen.
Die Tür lässt sich nicht öffnen.	Wenn Sie gerade die Tür geöffnet hatten, warten Sie einige Minuten, damit sich der Luftdruck ausgleichen kann, bevor Sie es erneut versuchen.
	Die Temperatur ist zu niedrig eingestellt: wählen Sie eine höhere Temperatur aus.
	Die Tür ist offen oder etwas verhindert das Schließen.
Der Kompressor läuft die ganze Zeit.	Die Gummidichtungen sind ausgenutzt, schmutzig oder beschädigt.
	Eine große Menge Lebensmittel wurde in den Kühlschrank gestellt.
	Die Raumtemperatur ist höher als normal.
Die Außenfläche des Kühlschranks ist heiß.	Die Außenwände können heißer als die Raumtemperatur sein. Das ist normal, während der Kompressor arbeitet, um die Wärme aus dem Inneren des Kühlschranks abzuführen.

## ENTSORGEN DER VERPACKUNG UND VERSCHROTTEN VON ALTGERÄTEN

**Stellen Sie sicher, dass alle Verschlüsse unbrauchbar sind, entfernen Sie die Tür(en) und entsorgen Sie sie separat.**

**Warnung vor chemischen Risiken: Lassen Sie Kinder nicht mit alten Geräten spielen.**

**Wenden Sie sich an Ihre zuständige Stadtverwaltung, um Informationen zur Verschrottung zu erhalten.**

- Stellen Sie vor der Entsorgung eines Altgeräts sicher, dass es ausgeschaltet und sicher ist. Ziehen Sie den Stecker aus der Steckdose und brechen Sie alle Schlösser, um zu verhindern, dass sich Kinder einsperren.
- Bitte beachten Sie: Das Kühlsystem enthält Gas und Kältemittel, die eine spezielle Abfallentsorgung erfordern.
- Sie können zum Umweltbewusstsein beitragen, indem Sie auf geeignete und umweltfreundliche Entsorgungsmethoden bestehen.
- Lassen Sie Haustiere und Kinder nicht mit der Verpackung spielen und entsorgen Sie die Plastiktüten sicher.
- Sie können den Karton zerbrechen oder in kleinere Stücke schneiden und recyceln. Die Verpackungen bestehen aus Polyethylen. Die Kissen und der Polyethylenfüllstoff enthalten keine fluorierten Kohlenwasserstoffe und sind als solche für Recycling geeignet.

**ACHTUNG!** So verhindern Sie, dass Kinder beim Spielen im Inneren eingesperrt werden, wenn dieses Gerät als Ersatz für ein anderes Gerät mit Verschluss verwendet wird:

- Brechen oder entfernen Sie den Verschluss aus Sicherheitsgründen, bevor Sie ihn aufbewahren.
- Entfernen Sie die Türen.
- Lassen Sie die Einlegeböden an Ort und Stelle, damit Kinder nicht so leicht hineinklettern können.
- Schneiden Sie das Anschlusskabel so nahe wie möglich am Gerät ab.
- Wenn dieses Gerät mit einer Magnetdichtung an der Tür ein altes Gerät mit einer Federverriegelung an der Tür oder am Deckel ersetzen soll, stellen Sie sicher, dass die Federverriegelung nicht verwendet werden kann, bevor Sie das alte Gerät entsorgen. So verringern Sie das Risiko, dass Kinder oder Tiere im Inneren eingesperrt werden.

Bedankt voor het kiezen van onze koelkast. Lees de instructies aandachtig door voordat u dit apparaat gebruikt en om er zeker van te zijn dat u het optimaal gebruikt.

De hier vermelde veiligheidsmaatregelen verminderen het risico van brand, elektrische schokken en letsel als ze correct worden opgevolgd. Bewaar de handleiding op een veilige plaats voor toekomstig gebruik, evenals de garantie, aankoopbon en doos. Geef deze handleiding eventueel door aan de toekomstige eigenaar van het apparaat. Volg altijd de basisveiligheidsinstructies en risicopreventie-maatregelen bij het gebruik van een elektrisch apparaat. De fabrikant is niet aansprakelijk voor enige schade die het gevolg is van het niet naleven van deze instructies door de gebruiker.

---

## BEVEILIGINGSINSTRUCTIES

---

Bij het gebruik van een elektrisch apparaat moeten altijd elementaire veiligheidsmaatregelen in acht worden genomen.

- Zorg ervoor dat de spanning en frequentie van het circuit overeenkomen met die aangegeven op het typeplaatje van het apparaat. Is dit niet het geval, neem dan contact op met de klantenservice en gebruik de koelkast niet.
- Sluit geen andere apparaten tegelijkertijd op hetzelfde elektrische circuit aan, aangezien dit het circuit kan overbelasten, de zekeringen kan doorbranden of kortsluiting kan veroorzaken.
- Om brand en elektrische schokken te voorkomen, mag u het snoer, de stekker, de elektrische basis of de behuizing van de koelkast niet onderdompelen. Stel de elektrische aansluitingen niet bloot aan vloeistoffen.
- Het netsnoer moet zo worden geplaatst dat er geen risico bestaat dat iemand het per ongeluk uitrekt of erover struikelt.
- Knik, buig, plet, druk of beschadig het netsnoer niet en bescherm het tegen scherpe randen en hitte.
- Houd de stekker vast wanneer u de koelkast uit het stopcontact haalt, trek niet aan het snoer.
- Laat het snoer niet over de rand van een tafel of aanrecht hangen. Zorg ervoor dat het niet in contact komt met warmtebronnen of hete oppervlakken.
- Til het apparaat niet op of gebruik het niet als het snoer of de stekker beschadigd is, als de koelkast niet goed werkt, of als het is gevallen of op enigerlei wijze beschadigd is.
- Neem bij pech contact op met de klantenservice.
- Een beschadigd snoer of beschadigde stekker mag alleen worden vervangen door bevoegd personeel om risico's te vermijden.
- Zorg ervoor dat alle elektrische aansluitingen schoon en droog zijn voordat u de koelkast aansluit.
- Sluit dit apparaat niet aan op een verlengsnoer.
- Koppel het apparaat los van de elektrische stroom wanneer het niet wordt gebruikt, voordat u het reinigt of verplaatst.
- Dit apparaat is niet bedoeld om te worden gebruikt door een externe timer of een afzonderlijk afstandsbedieningssysteem.
- Dit apparaat is uitsluitend bedoeld voor huishoudelijk gebruik.
- Dit apparaat is niet bedoeld voor commercieel gebruik. Niet buitenshuis gebruiken.
- Gebruik deze koelkast alleen zoals aangegeven in de handleiding. Onjuiste installatie en het gebruik van accessoires die niet door de fabrikant worden aanbevolen of elk ander gebruik dat niet is aangegeven, kan leiden tot brand, elektrische schokken of letsel.
- De fabrikant is niet verantwoordelijk voor eventuele schade veroorzaakt door oneigenlijk gebruik.
- De koelkast is niet bedoeld voor gebruik door personen met een verminderd lichamelijk, zintuiglijk of mentaal vermogen, gebrek aan ervaring en kennis, tenzij ze onder toezicht staan of instructies hebben gekregen over het gebruik van het apparaat door de persoon die verantwoordelijk is voor hun veiligheid.
- Kinderen moeten onder toezicht staan om ervoor te zorgen dat ze niet met het apparaat spelen. Houd ze zorgvuldig in de gaten als er een apparaat in de buurt wordt gebruikt.
- Gebruik geen chemicaliën, stalen pads of schuurmiddelen om de buitenkant van uw koelkast schoon te maken om beschadiging van het oppervlak te voorkomen.



- Zorg ervoor dat alle onderdelen goed zijn gemonteerd voor gebruik.
- Onderhoud het apparaat zoals aangegeven om een goede werking te garanderen.
- Neem bij een defect of als het product beschadigd is contact op met de klantenservice.
- Als u merkt dat de koelkast rookt of raar ruikt, trek dan onmiddellijk de stekker uit het stopcontact en bel voor service.
- Plaats het op een glad, stevig en stabiel oppervlak, uit de buurt van direct zonlicht of overmatige hitte.
- Plaats de koelkast niet in de buurt van warmtebronnen zoals radiatoren, kachels, fornuizen of andere warmtegenererende apparaten.
- Plaats het apparaat niet in de buurt van andere voorwerpen die deze zouden kunnen beschadigen, zoals vlammen (brandende kaarsen) of voorwerpen die water bevatten (een vaas of een glas).
- Pas op dat er geen voorwerpen op de koelkast vallen of dat vloeistoffen in de opening terecht komen.
- De fabrikant is niet verantwoordelijk voor letsel of materiële schade als de bovenstaande tips en voorzorgsmaatregelen niet worden opgevolgd.
- Voorkom oververhitting: Zet het apparaat op een goed geventileerde plaats. Zorg ervoor dat de lucht goed rond de achterkant van de koelkast circuleert.
- Laat voor de beste prestaties een afstand van ongeveer 100 mm aan elke kant van de koelkast en erachter.
- Dit apparaat heeft een kort netsnoer om het risico op verwarring en struikelen te verminderen. Het gebruik van een extender wordt niet aanbevolen.
- Het bevat geen onderdelen die door de gebruiker kunnen worden gerepareerd of vervangen. Probeer het niet zelf te vervangen, maar neem contact op met de klantenservice.
- Voor het eerste gebruik is het raadzaam om minimaal 8 uur te wachten alvorens het apparaat aan te sluiten, zodat de olie terug kan stromen naar de compressor.
- Lucht moet rond de koelkast kunnen stromen om oververhitting te voorkomen. Volg de instructies met betrekking tot de installatie om een goede ventilatie te garanderen.
- Het apparaat mag niet in de buurt van radiatoren of kachels staan.
- Zorg ervoor dat de stekker toegankelijk is na installatie van de koelkast.

## DAGELIJKS GEBRUIK

- Bewaar geen warme etenswaren in de koelkast.
  - Volg bij het bewaren van voorgekookt voedsel de instructies op de verpakking.
- WAARSCHUWING!** Gebruik geen mechanische apparaten of andere middelen om het ont-dooiproces te versnellen.
- Gebruik nooit een metaal instrument om ijs te verwijderen of de koelkast schoon te maken. Gebruik indien nodig een plastic spatel.
  - Volg de opslagaanbevelingen strikt op. Zie de bijbehorende instructies.
  - Als de koelkast is losgekoppeld of uitgeschakeld, of als de stroom uitvalt, moet u 3-5 minuten wachten voordat u hem weer inschakelt. Als u het eerder beschadigd, zal het niet starten.

## WAARSCHUWING: BRANDBAAR KOELGAS

- **Gevaar! Risico op brand en explosie.** Koelgas is ontvlambaar en mag alleen worden gehanteerd door geautoriseerd personeel. Doorboor de koelmiddelleiding niet.
- **Voorzichtigheid! Risico op brand en explosie.** Neem contact op met de desbetreffende gemeentelijke overheid voor informatie over het weggooien van AEEA voor hergebruik, recycling en terugwinning. Uw dealer of plaatselijke administratie informeert u graag over de meest effectieve en actuele manieren en mogelijkheden om deze materialen milieuvriendelijk af te voeren.

Het koudemiddelcircuit bevat het koudemiddelgas isobutaan (R600a), maar ondanks het feit dat het zeer milieuvriendelijk is, is het ontvlambaar. Zorg ervoor dat tijdens transport en installatie van het apparaat geen enkel deel van het circuit wordt beschadigd.

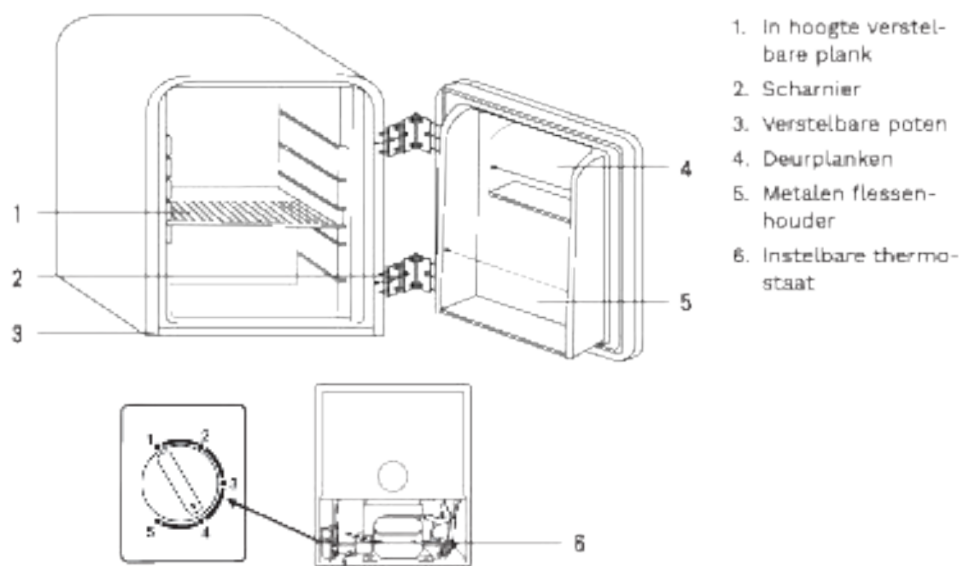
**WAARSCHUWING:** Beschadig het koelcircuit niet! Gebruik nooit een apparaat met een beschadigd koudemiddelcircuit! Als het circuit breekt, plaats het dan niet in de buurt van hitte- of ontstekingsbronnen of vuur. Ventileer de ruimte waarin u zich bevindt grondig.

- Het is gevaarlijk voor onbevoegd personeel om te proberen het apparaat te repareren.
- De ruimte waarin de koelkast wordt bewaard, moet minimaal 1 m<sup>2</sup> per 8 g koudemiddel zijn. De hoeveelheid en het type koelmiddel staan vermeld in de technische specificaties.



- Gebruik geen andere elektrische apparaten (zoals koelkasten) in de koelkast, tenzij voor dit gebruik goedgekeurd door de fabrikant.
- Bewaar geen explosieve stoffen zoals spuitbussen met brandbaar drijfgas in dit apparaat.
- Zorg ervoor dat tijdens transport en installatie van het apparaat geen enkel onderdeel van het koelcircuit wordt beschadigd.
- Vermijd open vuur en ontstekingsbronnen.
- Ventileer de ruimte waarin u zich bevindt grondig.
- Het is gevaarlijk om de specificaties te wijzigen of dit product op enigerlei wijze te modificeren.
- Elke schade aan het netsnoer kan kortsluiting, brand of elektrische schokken veroorzaken.
- Dit apparaat is zwaar. Wees voorzichtig bij het verplaatsen. Om rugpijn of enig ander soort letsel te voorkomen, moet u iemand anders om hulp vragen of mechanische hulp overwegen bij het installeren.
- Voorkom langdurige blootstelling van de koelkast aan zonlicht.
- Dit apparaat is uitsluitend bedoeld voor huishoudelijk gebruik.
- Elk elektrisch onderdeel (stekker, netsnoer, compressor, enz.) Moet worden vervangen door bevoegd personeel.
- GEBRUIK GEEN VERLENGSTUK. Gebruik alleen het stopcontact. Sluit de koelkast niet aan op een stopcontact waarop andere apparaten zijn aangesloten.
- Zorg ervoor dat het snoer niet bekneld of beschadigd raakt aan de achterkant van het apparaat, aangezien dit oververhit kan raken en brand kan veroorzaken.

### LIJST MET ONDERDELEN



## LATEN WE BEGINNEN

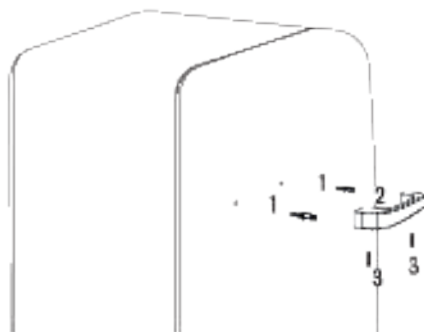
### UITPAKKEN

- Dit product is verpakt om het te beschermen tegen transportschade. Verwijder al het verpakkingsmateriaal rondom en in het toestel, maar verwijder de schuimisolatie rond de leidingen aan de achterkant niet. Bewaar de originele doos en benodigdheden op een veilige plaats. Het helpt schade te voorkomen als het materiaal in de toekomst moet worden vervoerd en kan worden gebruikt om de koelkast op te slaan wanneer deze niet opgebruikt is. Als u het karton moet weggoien, recycle dit dan zo veel mogelijk.
- Plasticfolie kan verstikkingsgevaar opleveren voor huisdieren, baby's en kinderen, dus gooi het om veiligheidsredenen weg in de prullenbak.
- Controleer of alle onderdelen die op de vorige pagina's zijn aangegeven, u hebben bereikt.
- Rol de kabel volledig uit en inspecteer hem op mogelijke schade. Gebruik het apparaat niet als de koelkast of het netsnoer beschadigd zijn of niet goed werken. Neem in geval van schade contact op met onze klantenservice om het product te laten repareren of vervangen.
- Zorg ervoor dat de koelkast is losgekoppeld van het elektriciteitsnet voordat u de binnenkant en alle interne accessoires reinigt met lauwwater, een zachte doek en milde zeep. Dit verwijdert stof en helpt de typische geur van nieuwe producten te verwijderen. Droog het daarna goed af. Belangrijk: gebruik geen schuurmiddelen of poeders die de afwerking beschadigen.

### DEURKLINK INSTALLATIE

De slinger wordt gedemonteerd geleverd vanwege verpakkingsbeperkingen. Het kan eenvoudig worden geïnstalleerd door deze instructies te volgen.

- Bevestig de twee schroeven (1) aan de deur.
- Plaats de metalen slinger (2) op de twee schroeven die u zojuist hebt gemonteerd en pas de twee gaten in de slinger aan.
- Draai de twee schroeven (3) aan de onderkant van de crank vast.



### KOELKAST INSTALLATIE

Lees de handleiding zorgvuldig door en volg deze instructies voordat u uw nieuwe koelkast installeert:

1. Zet de koelkast op een stabiele en vlakke vloer zodat hij minder lawaai maakt. Zorg ervoor dat de vloer sterk genoeg is om uw gewicht te dragen wanneer deze volledig gevuld is.
2. Als u de koelkast op een tapijt zou plaatsen, plaatst u een houten plank tussen het tapijt en de koelkast. Houd er rekening mee dat als u de koelkast op een tapijt plaatst, de warmte die door de compressor wordt afgegeven, het tapijt kan verkleuren.
3. Dit apparaat is ontworpen om op zichzelf te staan en niet om in of op een standaard te worden ingebouwd.
4. Kantel de koelkast bij het verplaatsen niet meer dan 45°.
5. Vermijd plaatsen waar het apparaat wordt blootgesteld aan zonlicht, warmtebronnen (kachel, kachel, radiator, enz.), Extreem lage omgevingstemperaturen of hoge luchtvochtigheid. Door het in het koelste deel van de kamer te installeren, bespaart u energie.

**Ga er voorzichtig mee om!** Oefen geen kracht uit op enig onderdeel, zoals de condensor of de deur. De metalen rails onder de koelkast kunnen scherpe randen hebben, dus pak deze altijd voorzichtig uit. Slaap de koelkast niet, maar zet hem voorzichtig op zijn plaats zodat hij geen krassen op de vloer maakt.

#### Ruimtevereisten

- Installeer de koelkast zo dat u voldoende ruimte heeft om de deur te openen.
- Zorg ervoor dat de lucht vrij rond de achterkant van de koelkast kan circuleren, zodat de compressor en condensor kunnen afkoelen. Laat minimaal 100 mm ruimte aan de achterkant en 50 mm aan de zijkanten.

#### Nivellering

- Het apparaat moet waterpas staan om goed te kunnen functioneren. Als het niet goed waterpas staat, worden de deuren en de uitlijning van de magnetische afdichting niet goed afgedekt.
- Om de koelkast waterpas te zetten, stelt u een of beide stelvoeten op de basis bij.



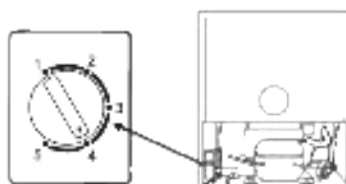
## THERMOSTAAT INSTELLINGEN

- Om de koelkast te starten, draait u de thermostaatknop naar de gewenste temperatuur. Je kunt de temperatuur aanpassen door aan de thermostaatknop aan de bovenkant van de binnenkant van de koelkast te draaien.
- Instellingen 0 (UIT) – 5 (MAX) regelen de binnentemperatuur van de koelkast.  
Instelling 0 (UIT): Niet operationeel. (Druk op de knop en draai hem naar 0 om hem uit te schakelen.)  
Instelling 1 (min.): Lagere waarde (warmere binnentemperatuur).  
Instelling 5 (max.): Hoogste waarde (koudste binnentemperatuur).

**NOTITIE:** De temperatuur van de koelkast hangt af van het aantal blikjes / flessen dat erin wordt bewaard en hoe vaak de deur wordt geopend. De interne temperatuur varieert in verschillende delen van het interieur van de koelkast. De achterkant is het koudst. Houd blikjes en flessen uit de buurt van de achterkant van de koelkast om bevroering te voorkomen en de circulatie van koude lucht te vergemakkelijken.

**NOTITIE:** De 0 (Uit) -stand van de thermostaat geeft aan dat de koelkast is uitgeschakeld, hoewel er nog steeds stroom naar wordt toegevoerd. Door de thermostaatknop naar links te draaien, sluit de koelkast automatisch aan. Haal de stekker uit het stopcontact en laat de deur op een kier wanneer de koelkast langere tijd niet wordt gebruikt.

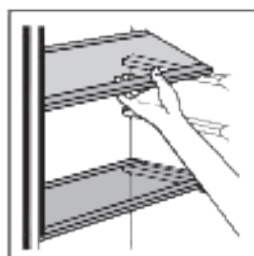
Achter



Lichtschakelaar

## VOEDSELOPSLAG

1. Het koelgedeelte is geschikt voor het kort bewaren van verse etenswaren. De interne temperatuur varieert afhankelijk van de hoeveelheid opgeslagen voedsel, de omgevingstemperatuur en hoe vaak de deur wordt geopend. Pas de thermostaat dienovereenkomstig aan.
2. Voor een goede koeling en energiebesparing mag u de koelkast niet te lang of te vaak open laten staan. Overlaad de koelkast niet en laat voldoende ruimte tussen de etenswaren zodat de koude lucht erdoorheen kan stromen. Blokkeer de ventilatieopeningen niet.
3. De planken kunnen in verschillende hoogtes worden versteld, afhankelijk van uw behoeften.



## TIPS OM ENERGIE TE BESPAREN

- Plaats de koelkast in het koelste deel van de kamer, uit de buurt van apparaten die warmte produceren en niet in direct zonlicht.
- Wacht tot warme gerechten en dranken zijn afgekoeld voordat u ze in de koelkast legt.
- Overbelast de koelkast niet, want hierdoor gaat de compressor langer draaien.
- Verpak de etenswaren goed en maak de bakjes schoon en droog voordat u ze in de koelkast zet om vorstvorming te voorkomen.
- Bekleed geen koelkastcompartiment met aluminiumfolie, bakpapier of papieren servetten. Elke voering belemmert de bloedsomloop, waardoor de efficiëntie afneemt.
- Bewaar voedsel zo dat er lucht omheen kan stromen.
- Laat de koelkastdeur niet langer open dan nodig is.
- Zorg ervoor dat voedsel de achterkant van de vakken niet raakt.
- Zet de thermostaat niet extreem laag.

## GA JE OP VAKANTIE?

- **Korte vakanties:** Laat de koelkast in werking voor vakanties van minder dan een maand.
- **Lange vakantie:** Als u de koelkast langere tijd niet gebruikt, verwijder dan al het voedsel en trek de stekker uit het stopcontact. Maak de binnenkant goed schoon en droog. Om geurtjes en schimmelgroei te voorkomen, de deur op een kier laten staan (eventueel op slot doen zodat hij niet sluit). Beperk de toegang van kinderen tot de kamer terwijl de koelkast open staat om te voorkomen dat ze bekneld raken.

## VERPLAATS DE KOELKAST

1. Haal de stekker van de koelkast uit het stopcontact en verwijder al het voedsel dat erin zit.
  2. Sluit en plak de deuren en het netsnoer aan de achterkant van de koelkast. Haal alle verwijderbare onderdelen eruit, wikkel ze stevig in en plak ze vast zodat ze niet verschuiven tijdens de verhuizing.
  3. Breng, afhankelijk van het model, de voorkant van de koelkast omhoog om deze gemakkelijker te laten rollen of schroef de stelvoeten vast zodat ze geen krassen op de vloer maken.
- VOORZICHTIG!** Til de koelkast nooit op bij de deur.
4. Bescherm de buitenkant van het product met een zachte, gewatteerde deken of item en zorg ervoor dat de koelbox veilig en rechtop blijft staan terwijl je hem vervoert.

Koppel het apparaat los van het elektriciteitsnet voordat u het schoonmaakt.

### INTERNE REINIGING

- Giet geen water op het apparaat.
- Reinig de holte regelmatig met een oplossing op basis van bicarbonaat en warm water (5 ml / 0,5 l water).
- Maak de accessoires afzonderlijk schoon met water en zeep. Zet ze niet in de vaatwasser.
- Gebruik geen schuurmiddelen, wasmiddelen of zeep.
- Na het schoonmaken met schoon water afspoelen en zorgvuldig afdrogen.
- Als u klaar bent met het schoonmaken van de hele koelkast, sluit u de stekker weer aan met droge handen.

### EXTERNE REINIGING

- Maak de buitenkant schoon met warm zeepsop. Gebruik GEEN schuurmiddelen.
- Er zitten scherpe voorwerpen aan de onderkant van het product, wees voorzichtig bij het schoonmaken.
- Verwijder een of twee keer per jaar stof van de achterkant van de koelkast en de compressor van de achterkant met een borstel of stofzuiger. Een opeenhoping van stof kan de prestaties van het apparaat nadelig beïnvloeden en een hoger energieverbruik veroorzaken.

### WAARSCHUWING

- Maak het apparaat nooit schoon met zure, schurende, olieachtige reinigingsmiddelen, reinigingsmiddelen op basis van oplosmiddelen, schuurponsen of schuurponsjes. Gebruik nooit brandbare vloeistoffen of sprays om schoon te maken, aangezien de gassen die deze stoffen uitstoten brand- of explosiegevaar kunnen veroorzaken.
- Maak het apparaat nooit schoon met een stoomreiniger. Vocht kan zich ophopen op elektrische componenten en een elektrische schok veroorzaken! Hete dampen kunnen plastic onderdelen beschadigen.
- Het apparaat moet volledig droog zijn voordat het weer in gebruik wordt genomen.
- Etherische oliën en organische oplosmiddelen kunnen plastic onderdelen aantasten (zoals citroensap of sinaasappelschil) of reinigingsmiddelen die azijnzuur bevatten. Zorg ervoor dat deze stoffen niet in contact komen met enig onderdeel van het apparaat.



## PROBLEEM OPLOSSING

PROBLEEM	OORZAAK / OPLOSSING
De koelkast doet het niet	Het is niet aan. Sluit hem aan op een geaard stopcontact.
	Er is geen strooming. Controleer of de stekker niet defect is.
	Zekering is doorgeslagen / stroomonderbreker is doorgeslagen. Vervang de zekering of reset de stroomonderbreker.
De temperatuur in het apparaat is niet koud genoeg	Zorg ervoor dat het voltage correct is voor het apparaat.
	Er is onlangs een grote hoeveelheid warme gerechten toegevoegd. Wacht enkele uren totdat het weer op de normale temperatuur is gekomen.
	De bedieningselementen zijn niet correct afgesteld op de omgevingsomstandigheden.
	Controleer of het apparaat niet wordt blootgesteld aan direct zonlicht of te dicht bij een warmtebron.
	Controleer of de omgevingstemperatuur binnen de werkingsthermizen van het apparaat valt.
De temperatuur in de koelkast is te laag	Worden de deuren van het apparaat vaak geopend? Als de deur eenmaal is geopend, komt de vochtigheid in de kamerlucht het apparaat binnen, vooral als de luchtvochtigheid in de kamer erg hoog is. Hoe meer de deur wordt geopend in vochtige omstandigheden, hoe groter de kans op vochtophoping.
	De deur is niet gesloten.
	De rubberen pakking is niet goed afgedicht.
De temperatuur in de koelkast heeft niet genoeg ruimte om aan de achterkant en zijkanten te ventileren.	De koelkast heeft niet genoeg ruimte om aan de achterkant en zijkanten te ventileren.
	Verhoog de temperatuur, stel de thermostaat in op een lagere stand. Het hoogste vermogen mag alleen worden gebruikt als modus voor snel koelen en mag slechts twee uur worden ingesteld voordat een grote hoeveelheid voedsel moet worden bewaard. Als dat niet het geval is, is de temperatuur het kan onder 0 °C komen omdat de compressor conju in bedrijf is.
Condensatie binnen / buiten de koelkastwanden.	Warme en vochtige klimaten verhogen de vorming van vorst binnenshuis. Het is normaal.
Slechte geur	Controleer of het eten en drinken dat je in de koelkast hebt staan niet is verlopen en of ze goed zijn verpakt. Is dit niet het geval, gooi het dan weg of verpak het goed.
	Controleer of er niets is gemorst. Gemorste vloeistoffen die onbehaard zijn achtergelaten en niet zijn opgeruimd, kunnen ongewenste geuren veroorzaken.
De deuren sluiten niet goed.	Zorg ervoor dat er geen voorwerpen zijn die het sluiten van de deur belemmeren.
	Controleer of zowel de planken als de compartimenten stevig op hun plaats zitten.
	Controleer of de deurpakking niet kromgetrokken of gescheurd is. Zorg ervoor dat het apparaat waterpas staat.

PROBLEEM	DORZAAK / OPLÖSING
Rare geluiden.	Controleer of het apparaat op een vlak, waterpas en stabiel oppervlak staat. Kijk rond in de koelkast en zorg ervoor dat je geen andere voorwerpen aan raakt.
	Gurgelend en bonnelend geluid: dit wordt geproduceerd door de passage van de koelvloeistof door de leidingen van het systeem. Het is normaal.
	Geluid van stromend water: Dit is normaal, het is het water dat tijdens het ontvoolproces door de afvoer stroomt.
	Als het apparaat luidruchtig werkt (compressorgeluid): Het is normaal. Geef aan dat de compressor normaal werkt. Omdat de compressor stroom krijgt, kan deze korte tijd geluid maken. Het samenrekken en uitzetten van de binnenkant van de muren kan plof- en klikgeluiden veroorzaken.
De deur gaat niet open.	Als je de deur net hebt geopend, wacht dan een paar minuten totdat de luchtdruk gelijk is, voordat je het opnieuw probeert. De temperatuur is te laag ingeseld; kies een hogere temperatuur.
De compressor draait de hele tijd.	De deur staat open of iets belemmert de sluiting.
	De rubberen afdichtingen zijn versleten, vuil of beschadigd.
	Er is een grote hoeveelheid voedsel in de koelkast gepaast. De kamertemperatuur is hoger dan normaal.
De buitenkant van de koelkast is voet.	Buitenmuren kunnen warmer zijn dan kamertemperatuur. Dit is normaal terwijl de compressor bezig is om warmte aan de binnenkant van de koelkast te onttrekken.

## VERWIJDERING VAN DE VERPAKKING EN HET WEGGOOIEN VAN GEBRUIKTE APPARATEN

**Zorg ervoor dat alle vergrendelingen onbruikbaar zijn, verwijder de deur (en) en voer ze afzonderlijk af.**

**Waarschuwing - chemische gevaren: laat kinderen niet spelen met oude apparaten.**

**Neem voor de sloopprocedure contact op met uw corresponderende gemeente.**

- Voordat u een oud apparaat weggooit, moet u ervoor zorgen dat het is uitgeschakeld en veilig is. Haal de stekker uit het stopcontact en verbreek eventuele sluitingen om te voorkomen dat kinderen bekneld raken.
- Let op: het koelsysteem bevat gas en koelmiddelen die een gespecialiseerd afvalbeheer vereisen.
- U kunt bijdragen aan het milieubewustzijn door aan te dringen op correcte en niet-vervuilende verwijderingsmethoden.
- Laat huisdieren en kinderen niet met de verpakking spelen en gooi de plastic zakken op een veilige manier weg.
- Je kunt het karton scheuren of in kleinere stukjes snijden en recyclen. De wikkels zijn gemaakt van polyethyleen. De polyethyleen pads en padding bevatten geen gefluoreerde koolwaterstoffen en zijn daarom geschikt voor recycling.

**WAARSCHUWING!** Om te voorkomen dat kinderen tijdens het spelen binnen opgesloten worden, als dit apparaat wordt gebruikt ter vervanging van een ander apparaat met een slot:

- Breek of verwijder het slot als veiligheidsmaatregel voordat u het opbergt.
- Verwijder de deuren.
- Laat de planken op hun plaats zodat kinderen er niet gemakkelijk op kunnen klimmen.
- Knip de aansluitkabel zo dicht mogelijk bij het apparaat door.
- Als dit apparaat met een magnetische deurafdichting, een oud apparaat moet vervangen met een veersluiting op de deur of het deksel, maak de veersluiting dan onbruikbaar voordat u het oude apparaat weggooit. Dit verkleint het risico dat kinderen of dieren erin vast komen te zitten.

Dziękujemy za wybranie naszej lodówki. Przed rozpoczęciem korzystania z tego urządzenia oraz w celu zapewnienia jego najlepszego wykorzystania prosimy o dokładne zapoznanie się z instrukcją.

Wymienione tutaj środki bezpieczeństwa zmniejszają ryzyko pożaru, porażenia prądem elektrycznym i obrażeń, jeśli są właściwie przestrzegane. Instrukcję należy przechowywać w bezpiecznym miejscu do wykorzystania w przyszłości, jak również gwarancję, dowód zakupu i opakowanie. Jeśli ma to zastosowanie, przekaż tę instrukcję przyszłemu właścicielowi urządzenia. Zawsze przestrzegaj podstawowych instrukcji bezpieczeństwa i środków zapobiegających ryzyku podczas korzystania z urządzenia elektrycznego. Producent nie ponosi odpowiedzialności za szkody wynikłe z nieprzestrzegania niniejszej instrukcji przez użytkownika.

## INSTRUKCJE BEZPIECZEŃSTWA

Podczas korzystania z dowolnego urządzenia elektrycznego należy zawsze przestrzegać podstawowych środków ostrożności.

- Upewnij się, że napięcie i częstotliwość obwodu odpowiadają wartościom podanym na tabliczce znamionowej urządzenia. Jeśli tak nie jest, skontaktuj się z serwisem posprzedażnym i nie używaj lodówki.
- Nie podłączaj jednocześnie innych urządzeń do tego samego obwodu elektrycznego, ponieważ może to spowodować przeciążenie obwodu i przepalenie bezpieczników lub zwarcie.
- Aby uniknąć pożaru i porażenia prądem, nie zanurzaj przewodu, wtyczki, podstawy elektrycznej ani korpusu lodówki. Nie wystawiać połączeń elektrycznych na kontakt z jakąkolwiek cieczą.
- Przewód zasilający powinien być ułożony w taki sposób, aby nie było niebezpieczeństwa przypadkowego rozciągnięcia go lub potknięcia się o niego.
- Nie zginaj, nie zginać, nie zgniataj, nie ściskaj ani nie uszkadzaj przewodu zasilającego oraz chron go przed ostrymi krawędziami i wysoką temperaturą.
- Podczas odłączania lodówki trzymaj wtyczkę, nie ciągnij za przewód.
- Nie pozwól, aby przewód zwisał z krawędzi stołu lub blatu. Nie pozwól, aby zetknął się z jakimkolwiek źródłem ciepła lub gorącymi powierzchniami.
- Nie podnosić ani nie obsługiwać urządzenia, jeśli przewód lub wtyczka są uszkodzone, jeśli lodówka działa nieprawidłowo lub została upuszczona lub w jakikolwiek sposób uszkodzona.
- W przypadku awarii skontaktuj się z serwisem posprzedażowym.
- Uszkodzony przewód lub wtyczkę może wymieniać wyłącznie upoważniony personel, aby uniknąć zagrożeń.
- Przed podłączeniem lodówki upewnij się, że wszystkie połączenia elektryczne są czyste i suche.
- Nie podłączaj tego urządzenia do przedłużacza.
- Odłącz urządzenie od prądu, gdy nie jest używane, przed czyszczeniem lub przenoszeniem.
- To urządzenie nie jest przeznaczone do użytku z zewnętrznym zegarem ani oddzielnym systemem zdalnego sterowania.
- To urządzenie jest przeznaczone wyłącznie do użytku domowego.
- To urządzenie nie jest przeznaczone do użytku komercyjnego. Nie używać na zewnątrz.
- Tej lodówki należy używać wyłącznie zgodnie z instrukcją. Nieprawidłowa instalacja, a także użycie akcesoriów niezalecanych przez producenta lub inne niewskazane użycie może spowodować pożar, porażenie prądem elektrycznym lub obrażenia.
- Producent nie ponosi odpowiedzialności za szkody spowodowane nieprawidłowym użytkowaniem.
- Lodówka nie jest przeznaczona do użytku przez osoby o ograniczonej sprawności fizycznej, sensorycznej lub umysłowej, bez doświadczenia i wiedzy, chyba że są one nadzorowane lub poinstruowane w zakresie użytkowania urządzenia przez osobę odpowiedzialną za ich bezpieczeństwo.
- Należy pilnować, aby dzieci nie bawiły się urządzeniem. Pilnuj ich uważnie, gdy jakiegokolwiek urządzenie ma być używane w ich pobliżu.

- Nie używaj chemikaliów, myjek stalowych ani ściernych środków czyszczących do czyszczenia zewnętrznej części lodówki, aby uniknąć uszkodzenia powierzchni.
- Przed użyciem upewnij się, że wszystkie części są prawidłowo zamontowane.
- Utrzymuj urządzenie zgodnie z zaleceniami, aby zapewnić prawidłowe działanie.
- W przypadku jakiegokolwiek usterki lub uszkodzenia produktu należy skontaktować się z serwisem posprzedażowym.
- Jeśli zauważysz, że lodówka dyymi lub dziwnie pachnie, natychmiast odłącz ją i wezwij serwis.
- Umieść go na gładkiej, sztywnej i stabilnej powierzchni, z dala od bezpośredniego światła słonecznego lub nadmiernego ciepła.
- Nie umieszczaj lodówki w pobliżu źródeł ciepła, takich jak kaloryfery, grzejniki, kuchenki lub inne urządzenia wytwarzające ciepło.
- Nie umieszczaj urządzenia w pobliżu innych przedmiotów, które mogą je uszkodzić, takich jak płomień (zapalona świeca) lub przedmioty zawierające wodę (wazon lub szklanka).
- Uważaj, aby żadne przedmioty nie spadły na lodówkę lub płyny nie dostały się do żadnych otworów.
- Producent nie ponosi odpowiedzialności za obrażenia ciała lub uszkodzenia mienia, jeśli powyższe wskazówki i środki ostrożności nie będą przestrzegane.
- Unikaj przegrzania: Ustaw urządzenie w dobrze wentylowanym miejscu. Upewnij się, że powietrze dobrze krąży wokół tylnej części lodówki.
- Aby zapewnić najlepszą wydajność, pozostaw odstęp około 100 mm z każdej strony lodówki i za nią.
- To urządzenie jest wyposażone w krótki przewód zasilający, aby zmniejszyć ryzyko zaplątania się i potknięcia. Nie zaleca się stosowania przedłużacza.
- Nie zawiera części, które mogą być naprawiane lub wymieniane przez użytkownika. Nie próbuj samodzielnie go wymienić, skontaktuj się z serwisem posprzedażowym.
- Przed pierwszym użyciem zaleca się odczekać co najmniej 8 godzin przed podłączeniem urządzenia, aby olej powrócił do kompresora.
- Powietrze powinno przepływać wokół lodówki, aby zapobiec jej przegrzaniu. Aby zapewnić dobrą wentylację, postępuj zgodnie z instrukcjami dotyczącymi instalacji.
- Urządzenie nie powinno znajdować się w pobliżu kaloryferów lub pieców.
- Po zainstalowaniu lodówki upewnij się, że wtyczka jest dostępna.

## CODZIENNY UŻYTEK

- Nie przechowuj gorącej żywności w lodówce.
  - Przechowując gotową żywność, postępuj zgodnie z instrukcjami na opakowaniu.
- OSTRZEŻENIE:** Nie używaj urządzeń mechanicznych ani innych środków do przyspieszenia procesu rozmrażania.
- Nigdy nie używaj metalowych narzędzi do usuwania szronu lub czyszczenia lodówki. W razie potrzeby użyj plastikowej szpatułki.
  - Ściśle przestrzegaj zaleceń dotyczących przechowywania. Zobacz odpowiednie instrukcje.
  - Jeśli lodówka jest odłączona lub wyłączona, lub jeśli zabraknie zasilania, należy odczekać 3-5 minut przed ponownym włączeniem. Jeśli spróbujesz ponownie uruchomić go przed upływem tego czasu, nie rozpocznie się.

## OSTRZEŻENIE: ŁATWOPALNY GAZ CHŁODNICZY

- Niebezpieczeństwo! Ryzyko pożaru i wybuchu. Gaz chłodniczy jest łatwopalny i może być obsługiwany tylko przez upoważniony personel. Nie przekuwać rury czynnika chłodniczego.
- Uwaga! Ryzyko pożaru i wybuchu. Skontaktuj się z odpowiednimi władzami miejskimi, aby uzyskać informacje na temat usuwania zużytego sprzętu elektrycznego i elektronicznego w celu jego ponownego wykorzystania, recyklingu i odzysku. Twój dealer lub lokalna administracja z przyjemnością poinformuje Cię o najbardziej efektywnych i aktualnych sposobach i możliwościach przyjaznej dla środowiska utylizacji tych materiałów.

Obwód chłodniczy zawiera gazowy izobutan (R600a), jednak pomimo dużej przyjazności dla środowiska jest łatwopalny. Należy upewnić się, że podczas transportu i instalacji urządzenia żadna część obwodu nie zostanie uszkodzona.

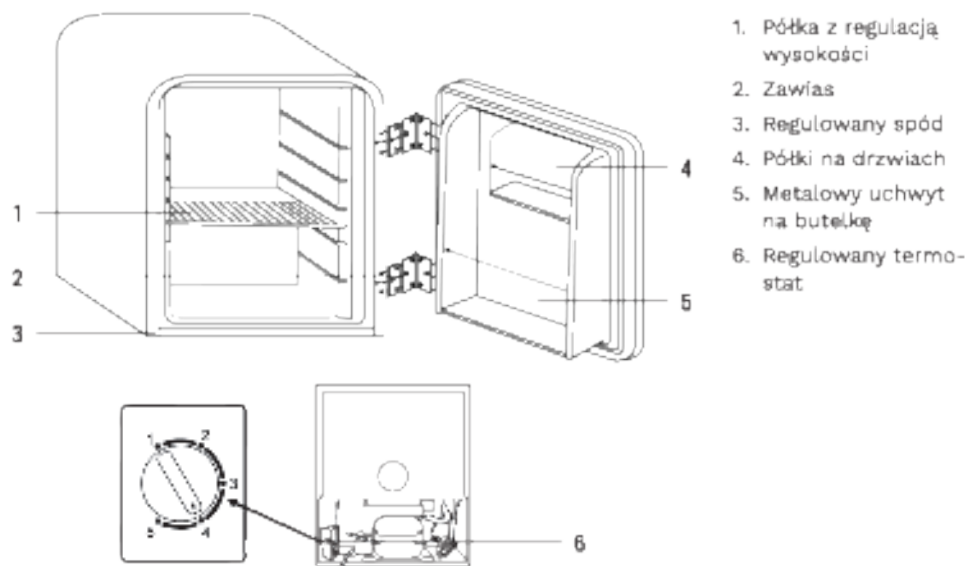
**OSTRZEŻENIE:** Nie uszkodzić obwodu chłodniczego! Nigdy nie używaj urządzenia z uszkodzonym obwodem chłodniczym! Jeśli obwód pęknie, nie umieszczaj go w pobliżu źródeł ciepła, zapłonu lub ognia. Dokładnie przewietrz pomieszczenie, w którym się znajdujesz.

- Próba naprawy urządzenia przez nieupoważniony personel jest niebezpieczna.



- Pomieszczenie, w którym będzie przechowywana lodówka, powinno mieć co najmniej 1m<sup>3</sup> na każde 8g czynnika chłodniczego. Ilość i rodzaj czynnika chłodniczego podano w Specyfikacjach Technicznych.
- Nie używaj innych urządzeń elektrycznych (takich jak lodówki) wewnątrz lodówki, chyba że zostały zatwierdzone do takiego użytku przez producenta.
- W tym urządzeniu nie należy przechowywać substancji wybuchowych, takich jak puszki z aerozolem z łatwopalnym propelentem.
- Należy upewnić się, że podczas transportu i instalacji urządzenia żadna część obwodu chłodniczego nie jest uszkodzona.
- Unikać otwartego ognia i źródeł zapłonu.
- Dokładnie przewietrz pomieszczenie, w którym się znajdujesz.
- Jakakolwiek zmiana specyfikacji lub modyfikacja tego produktu jest niebezpieczna.
- Jakiegokolwiek uszkodzenie przewodu zasilającego może spowodować zwarcie, pożar lub porażenie prądem.
- To urządzenie jest ciężkie. Zachowaj ostrożność podczas przenoszenia. Aby uniknąć bólu pleców lub innych urazów, poproś kogoś o pomoc lub rozważ pomoc mechaniczną podczas instalacji.
- Unikaj długotrwałego wystawiania lodówki na działanie promieni słonecznych.
- To urządzenie jest przeznaczone wyłącznie do użytku domowego.
- Każdy element elektryczny (wtyczka, przewód zasilający, kompresor itp.) musi zostać wymieniony przez upoważniony personel.
- **NIE UŻYWAJ PRZEDŁUŻACZA.** Używaj tylko gniazdka ściennego. Nie podłączaj lodówki do gniazdka, do którego podłączone są inne urządzenia.
- Upewnij się, że przewód nie jest ściśnięty ani uszkodzony z tyłu urządzenia, ponieważ może się przegrzać i spowodować pożar.

## LISTA CZĘŚCI



1. Półka z regulacją wysokości
2. Zawias
3. Regulowany spód
4. Półki na drzwiach
5. Metalowy uchwyt na butelkę
6. Regulowany termostat



## ZACZNIJMY

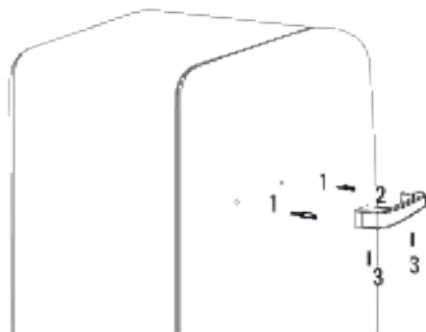
### ROZPAKOWANIE

- Ten produkt został zapakowany w celu ochrony przed uszkodzeniem w transporcie. Usuń wszystkie materiały opakowaniowe z wnętrza i dookoła urządzenia, ale nie usuwaj izolacji piankowej z tylnych rur. Przechowuj oryginalny karton i materiały eksploatacyjne w bezpiecznym miejscu. Pomoże to w zapobieganiu uszkodzeniom w przypadku konieczności przetransportowania materiału w przyszłości i może służyć do przechowywania lodówki, gdy się nie użyje. W przypadku konieczności pozbycia się kartonu, należy jak najczęściej poddawać go recyklingowi.
- Folia plastikowa może stwarzać zagrożenie uduszeniem dla zwierząt domowych, niemowląt i dzieci, dlatego ze względów bezpieczeństwa należy ją wyrzucić do kosza na śmieci.
- Sprawdź, czy dotarły do Ciebie wszystkie części wskazane na poprzednich stronach.
- Całkowicie rozwiń kabel i sprawdź, czy nie ma żadnych uszkodzeń. Nie używaj urządzenia, jeśli lodówka lub przewód zasilający są uszkodzone lub nie działają prawidłowo. W przypadku uszkodzenia skontaktuj się z naszym serwisem posprzedażnym w celu naprawy lub wymiany produktu.
- Przed czyszczeniem jej wnętrza i wszystkich akcesoriów wewnętrznych letnią wodą, miękką szmatką i łagodnym mydłem należy upewnić się, że lodówka jest odłączona od zasilania. Usunie to kurz i pomoże pozbyć się typowego zapachu nowego produktu. Następnie dobrze wysusz. Ważne: nie używaj ściernych detergentów ani proszków, które mogą uszkodzić wykończenie.

### MONTAŻ KLAMKI

Korba jest zdemonstrowana ze względu na ograniczenia w opakowaniu. Można go łatwo zainstalować, postępując zgodnie z tymi instrukcjami.

- Przymocować dwie śruby (1) do drzwi.
- Umieścić metalową korbę (2) na dwóch wkręconych śrubach i dopasuj dwa otwory w korbie.
- Dokręcić dwie śruby (3) na dole korby.



### INSTALACJA LODÓWKI

Przed zainstalowaniem nowej lodówki przeczytaj uważnie instrukcję i postępuj zgodnie z poniższymi instrukcjami:

1. Postaw lodówkę na stabilnej i równej podłodze, tak aby była cichsza. Upewnij się, że podłoga jest wystarczająco mocna, aby utrzymać Twój ciężar za całkowitym wypełnieniu.
2. Jeśli chcesz ustawić lodówkę na dywanie, umieść drewnianą deskę między dywanem a lodówką. Należy pamiętać, że umieszczenie lodówki na dywanie może spowodować odbarwienie dywanu przez ciepło emitowane przez sprężarkę.
3. To urządzenie jest przeznaczone do samodzielnego ustawiania, a nie do wbudowania lub ustawiania na stojaku.
4. Podczas przesuwania nie przechylaj lodówki o więcej niż 45°.
5. Unikaj miejsc, w których urządzenie byłoby narażone na działanie promieni słonecznych, źródła ciepła (piec, piec, kaloryfer, itp.) Skrajnie niskich temperatur otoczenia lub dużej wilgotności. Zainstalowanie go w najchłodniejszej części pomieszczenia pozwoli zaoszczędzić energię.

**Obchodź się z nim ostrożnie!** Nie należy przykładać siły do żadnej części, takiej jak skraplacz lub drzwi. Metalowe szyny pod lodówką mogą mieć ostre krawędzie, dlatego zawsze należy ją ostrożnie rozpakowywać. Nie ciągnij lodówki, umieść ją ostrożnie na swoim miejscu, aby nie zarysowała podłogi.

#### **Wymagania przestrzenne**

- Zainstaluj lodówkę tak, aby mieć wystarczająco dużo miejsca, aby otworzyć drzwi.
- Upewnij się, że powietrze może swobodnie krążyć wokół tylnej części lodówki, aby kompresor i skraplacz mogły ostygnąć. Pozostaw co najmniej 100 mm wolnej przestrzeni z tyłu i 50 mm po bokach.

#### **Niwelacja**

- Aby urządzenie działało prawidłowo, musi być wypoziomowane. Jeśli nie zostanie odpowiednio wypoziomowany, drzwi i wyrównanie uszczelki magnetycznej nie zostaną odpowiednio zamknięte.
- Aby wypoziomować lodówkę, wyreguluj jedną lub obie nóżki poziornujące na jej podstawie.



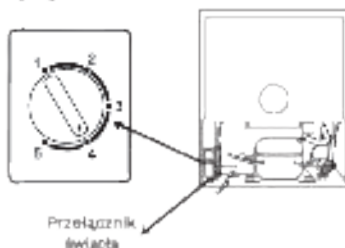
#### **USTAWIENIA TERMOSTATU**

- Aby uruchomić lodówkę, ustaw pokrętkę termostatu na żadaną temperaturę. Możesz wyregulować temperaturę, obracając pokrętkę termostatu na górze wewnątrz lodówki.
- Ustawienia 0 (WYŁ.) - 5 (MAKS.) Regulują temperaturę wewnątrz lodówki.
  - Ustawienie 0 (WYŁ.): Nie działa. (Naciśnij pokrętkę i ustaw je na 0, aby je wyłączyć.)
  - Ustawienie 1 (Min.): Niższa wartość (wyższa temperatura wewnątrzna).
  - Ustawienie 5 (maks.): Najwyższa wartość (Najniższa temperatura wewnątrzna).

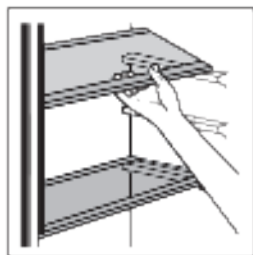
**UWAGA:** Temperatura lodówki będzie się różnić w zależności od liczby puszek / butelek przechowywanych w środku i częstotliwości otwierania drzwi. Temperatura wewnątrzna zmienia się w różnych częściach wnętrza lodówki. Najzimniej jest z tyłu. Puszki i butelki należy trzymać z dala od tylnej części lodówki, aby zapobiec zamarzaniu i ułatwić cyrkulację zimnego powietrza.

**UWAGA:** Pozycja 0 (wył.) Termostatu wskazuje, że lodówka jest wyłączona, mimo że nadal jest do niej dostarczane zasilanie. Obracając pokrętkę termostatu w lewo, lodówka automatycznie się włączy. Jeśli lodówka nie będzie używana przez dłuższy czas, należy odłączyć wtyczkę i pozostawić uchylone drzwi.

Tylny



1. Komora chłodziarki nadaje się do krótkotrwałego przechowywania świeżej żywności. Temperatura wewnętrzna zmienia się w zależności od ilości przechowywanej żywności, temperatury otoczenia i częstotliwości otwierania drzwi. Odpowiednio wyreguluj termostat.
2. Aby zapewnić dobrą wydajność chłodzenia i oszczędność energii, nie zostawiaj lodówki otwartej zbyt długo lub zbyt często. Nie przeciążaj lodówki i pozostaw wystarczająco dużo miejsca między potrawami, aby zimne powietrze mogło przepływać. Nie blokuj otworów wentylacyjnych.
3. W zależności od potrzeb, półki można regulować na różnej wysokości.



### WSKAZÓWKI DOTYCZĄCE OSZCZĘDZANIA ENERGII

- Umieść lodówkę w najchłodniejszej części pomieszczenia, z dala od urządzeń wytwarzających ciepło i z dala od bezpośredniego światła słonecznego.
- Przed włożeniem ich do lodówki poczekaj, aż gorące potrawy i napoje ostygną.
- Nie przeciążaj lodówki, ponieważ powoduje to dłuższą pracę sprężarki.
- Dobrze owiń żywność, wyczyść i wysusz pojemniki przed włożeniem ich do lodówki, aby uniknąć tworzenia się szronu.
- Nie wykładaj żadnej komory lodówki folią aluminiową, papierem do pieczenia ani papierowymi serwetkami. Jakakolwiek podszewka zakłóca cyrkulację, zmniejszając wydajność.
- Przechowuj żywność w taki sposób, aby mogło ją opływać powietrze.
- Nie pozostawiaj otwartych drzwi lodówki dłużej niż to konieczne.
- Upewnij się, że żywność nie dotyka tylnej części przegródek.
- Nie ustawiaj termostatu bardzo nisko.

### JEDZIESZ NA WAKACJE?

- **Krótkie wakacje:** Pozostaw lodówkę działającą na wakacje krótsze niż miesiąc.
- **Długie wakacje:** Jeśli nie zamierzasz używać lodówki przez dłuższy czas, wyjmij całą żywność i odłącz wtyczkę. Dokładnie wyczyść i osusz wnętrze. Aby uniknąć powstawania nieprzyjemnych zapachów i pleśni, pozostaw drzwi lekko otwarte (zablokuj je, aby nie zamykały się w razie potrzeby). Ogranicz dzieciom dostęp do pomieszczenia, gdy lodówka jest otwarta, aby ich nie uwieźlić.

### PRZENIEŚ LODÓWKĘ

1. Odłącz lodówkę i wyjmij całą żywność znajdującą się w środku.
2. Zamknij i przyklej taśmą drzwi i przewód zasilający z tyłu lodówki. Wyjmij wszystkie zdejmowane części, mocno je owiń i przyklej taśmą, aby nie poruszały się podczas ruchu.
3. W zależności od modelu podnieś przód lodówki, aby łatwiej się toczyła lub przykręć nóżki poziomujące, aby nie porysować podłogi.

**OSTROŻNY!** Nigdy nie podnosić lodówki za drzwi.

4. Chroni produkt z zewnątrz miękkim, wyściełanym kocem lub przedmiotem i upewnij się, że lodówka pozostaje bezpieczna i ustawiona pionowo podczas transportu.

Przed czyszczeniem odłącz urządzenie od sieci elektrycznej.

### CZYSZCZENIE WEWNĘTRZNE

- Nie wylewaj wody na urządzenie.
- Regularnie czyść ubytek roztworem na bazie wodorowęglanu i ciepłej wody (5ml / 0,5l wody).
- Akcesoria czyść oddzielnie wodą z mydłem. Nie wkładaj ich do zmywarki.
- Nie używaj środków ściernych, detergentów ani mydeł.
- Po oczyszczeniu optucz go czystą wodą i dokładnie wysusz.
- Po zakończeniu czyszczenia całej lodówki podłącz ponownie wtyczkę suchymi rękami.

### CZYSZCZENIE ZEWNĘTRZNE

- Oczyszć z zewnątrz ciepłą wodą z mydłem. NIE używaj produktów ściernych.
- Na spodzie produktu znajdują się ostre przedmioty, należy zachować ostrożność podczas czyszczenia.
- Raz lub dwa razy w roku usuń kurz z tylnej części lodówki i sprężarki z tyłu za pomocą szczotki lub odkurzacza. Nagromadzenie kurzu może niekorzystnie wpłynąć na działanie urządzenia i spowodować wzrost zużycia energii.

### OSTRZEŻENIE

- Nigdy nie czyść urządzenia za pomocą kwaśnych, ściernych, zaolejonych środków czyszczących, środków czyszczących na bazie rozpuszczalników, szorstkich gąbek ani druciaków. Nigdy nie używaj łatwopalnych płynów ani aerozoli do czyszczenia, ponieważ gazy, które emitują, mogą spowodować ryzyko pożaru lub wybuchu.
- Nigdy nie czyść urządzenia za pomocą odkurzacza parowego. Wilgoć może gromadzić się na elementach elektrycznych i powodować ryzyko porażenia prądem! Gorące opary mogą uszkodzić plastikowe części.
- Przed ponownym uruchomieniem urządzenie musi być całkowicie wysuszone.
- Olejki eteryczne i rozpuszczalniki organiczne mogą atakować części plastikowe (takie jak sok z cytryny lub skórki pomarańczy) lub środki czyszczące zawierające kwas octowy. Nie dopuszczaj do kontaktu tych substancji z jakąkolwiek częścią urządzenia.

## ROZWIĄZANIE PROBLEMU

KŁÓPOT	PRZYCZYNA / ROZWIĄZANIE
De koelkast doet het niet.	Het is niet aan. Schakel hem aan op een geïsoleerd stopcontact.
	Er is geen strooming. Controleer of de stekker niet defect is.
	Zekering is doorgebrand / stroomonderbreker is doorgeslagen. Vervang de zekering of reset de stroomonderbreker.
	Zorg ervoor dat het voltage correct is voor het apparaat.
	Onlangs dodado duży ilość gorącej potrawy. Poczekaj kilkanaście godzin, aż powróci do normalnej temperatury.
	Elementy sterujące nie są odpowiednio doświetlane do warunków otoczenia.
Temperatura wewnątrz urządzenia nie jest wystarczająco niska.	Sprawdź, czy urządzenie nie jest narażone na bezpośrednie działanie promieni słonecznych lub zbyt blisko źródła ciepła.
	Sprawdź, czy temperatura otoczenia mieści się w granicach roboczych urządzenia.
	Czy drzwi urządzenia są często otwierane? Po otwarciu drzwi do urządzenia dostaje się wilgoć zawarta w powietrzu w pomieszczeniu, zwłaszcza jeśli poziom wilgotności w pomieszczeniu jest bardzo wysoki. Im bardziej drzwi są otwierane w wilgotnych warunkach, tym większe jest prawdopodobieństwo gromadzenia się wilgoci.
	Drzwi nie są zamknięte.
	Gumowa uszczelka nie jest dobrze uszczelniona.
Lodówka nie ma wystarczająco dużo miejsca, aby wentylować z tyłu i po bokach.	
Temperatura wewnątrz lodówki jest za niska.	Zwiększyć tempo. Ustawienie termostatu na niższe ustawienie. Najwyższej mocy należy używać tylko jako trybu szybkiego chłodzenia i należy ją ustawić tylko na dwie godziny przed przechowywaniem dużej ilości żywności. Jeśli tak się nie stanie, temp. może spaść poniżej 0°C, ponieważ sprężarka będzie pracowała niecierpliwie.
Condensatie binnen / buiten de koelkast wanden.	Warmte en vochtige klimaten verhogen de vorming van vorst binnenshuis. Het is normaal.
Blechnogeur	Controleer of het eten en drinken dat je in de koelkast hebt staan niet is verlopen en of ze goed zijn verpakt. Is dit niet het geval, gooi het dan weg of verpak het goed.
De deuren sluiten niet goed.	Controleer of er niets is gemorst. Gemorste vloeistoffen die onbathoed zijn achtergelaten en niet zijn opgeruimd, kunnen ongewenste geuren veroorzaken.
	Zorg ervoor dat er geen voorwerpen zijn die het sluiten van de deur belemmeren.
	Controleer of zowel de planken als de compartimenten stevig op hun plaats zitten.
	Controleer of de deurpakking niet kronkelig is of gescheurd is.
	Zorg ervoor dat het apparaat waterpas staat.



KŁOPOT	PRZYCZYNA / ROZWIĄZANIE
Dziwno odgłosy.	Sprawdź, czy urządzenie jest ustawione na płaskiej, równej i stabilnej powierzchni.
	Rozceprzaj się po lodówce i upewnij się, że nie dotykasz innych przedmiotów.
	Bulgotańskie i bulgotanie: Jest to spowodowane przepływem chłodziwa przez rury układu. To normalne.
Dziwno odgłosy.	Zdźwięk płynącej wody: Jest to normalne, ponieważ woda spływa do odpływu podczas rozmrażania.
	Jeśli urządzenie pracuje głośno (nataś sprężarki): To normalne. Wskazuje, że sprężarka działa normalnie. Ponieważ sprężarka jest zasilana, może przez krótki czas hałasować.
Drzwi się nie otwierają.	Kurczenie się i rozszerzanie wnętrza ścian może powodować trzaski i klikanie.
	Jeśli właśnie otworzyłeś drzwi, poczekaj kilka minut, aż ciśnienie powietrza wyrówna się, zanim spróbujesz ponownie.
Sprężarka pracuje cały czas.	Temperatura jest zbyt niska; wydłuż wyższą temperaturę.
	Drzwi są otwarte lub coś utrudnia zamknięcie.
	Gumowe uszczelki są zużyte, zabrudzone lub uszkodzone.
Zewnętrzna powierzchnia lodówki jest gorąca.	Do lodówki została włożona duża ilość jedzenia.
	Temperatura w pomieszczeniu jest wyższa niż normalnie.
Zewnętrzna powierzchnia lodówki jest gorąca.	Ściany zewnętrzne mogą być cieplejsze niż temperatura pokojowa. Jest to normalne, gdy kompresor pobiera ciepło z wnętrza lodówki.

## UTYLIZACJA OPAKOWANIA I ZUŻYTYCH URZĄDZEŃ

**Upewnij się, że wszystkie zatrzaski są bezużyteczne, zdejmij drzwi i zutylizuj je osobno.**

**Ostrzeżenie – zagrożenia chemiczne: nie pozwalaj dzieciom bawić się starymi urządzeniami.**

**Skontaktuj się z odpowiednimi władzami miejskimi, aby dowiedzieć się o procedurze złomowania.**

- Przed pozbyciem się starego urządzenia upewnij się, że jest wyłączone i bezpieczne. Odłącz urządzenie i złam wszystkie zamknięcia, aby zapobiec uwięzieniu dzieci.
- Uwaga: układ chłodniczy zawiera gaz i czynniki chłodnicze, które wymagają specjalistycznej gospodarki odpadami.
- Możesz przyczynić się do zwiększenia świadomości ekologicznej, nalegając na właściwe i niezanieczyszczające metody utylizacji.
- Nie pozwalaj zwierzętom ani dzieciom bawić się opakowaniem i bezpiecznie wyrzucaj plastikowe torby.
- Karton możesz podrzeć lub pokroić na mniejsze kawałki i poddać recyklingowi. Owijki wykonane są z polietylenu. Poduszki i wyściółka polietylenowa nie zawierają fluorowanych węglowodorów i jako takie nadają się do recyklingu.

**OSTRZEŻENIE!** Aby uniemożliwić dzieciom zamknięcie się w środku podczas zabawy, jeśli to urządzenie jest używane do zastąpienia innego, które jest wyposażone w blokadę:

- Złam lub zdejmij blokadę ze względów bezpieczeństwa przed odłożeniem.
- Zdejmij drzwi.
- Pozostaw półki na miejscu, aby dzieci nie mogły z łatwością się po nich wspiąć.
- Przeciąć kabel połączeniowy jak najbliżej urządzenia.
- Jeśli to urządzenie, z magnetyczną uszczelką drzwi, ma zastąpić stare urządzenie, które ma zatrzask sprężynowy na drzwiach lub pokrywie, przed wyrzuceniem starego urządzenia należy uniemożliwić korzystanie z zatrzasku sprężynowego. Zmniejszy to ryzyko uwięzienia dzieci lub zwierząt w środku.



In compliance with Directives: 2012/19/EU and 2015/863/EU on the restriction of the use of dangerous substances in electric and electronic equipment as well as their waste disposal. The symbol with the crossed wheeled bin shown on the package indicates that the product at the end of its service life shall be collected as separate waste. Therefore, any products that have reached the end of their useful life must be given to waste disposal centres specialising in separate collection of waste electrical and electronic equipment, or given back to the retailer at the time of purchasing new similar equipment, on a one-for-one basis. The adequate separate collection for the subsequent start-up of the equipment sent to be recycled, treated and disposed of in an environmentally compatible way contributes to preventing possible negative effects on the environment and health and optimises the recycling and reuse of components making up the apparatus. Abuse of disposal of the product by the user involves application of the administrative sanctions according to the laws.



En cumplimiento de las directivas: 2012/19 / UE y 2015/863 / UE sobre la restricción del uso de sustancias peligrosas en equipos eléctricos y electrónicos, así como su eliminación de residuos. El símbolo con el cubo de basura cruzado que se muestra en el embalaje indica que el producto al final de su vida útil se recogerá como residuos separados. Por lo tanto, cualquier producto que haya llegado al final de su vida útil debe entregarse a centros de eliminación de residuos especializados en la recogida selectiva de equipos eléctricos y electrónicos de desecho, o devolvérsele al minorista al momento de comprar equipos nuevos similares, en uno por uno base. La recolección separada adecuada para la posterior puesta en marcha de los equipos enviados para ser reciclados, tratados y eliminados de una manera compatible con el medio ambiente contribuye a prevenir posibles efectos negativos sobre el medio ambiente y la salud y optimiza el reciclaje y la reutilización de los componentes que componen el aparato. La eliminación abusiva del producto por parte del usuario implica la aplicación de las sanciones administrativas de acuerdo con las leyes.



Em conformidade com as diretivas: 2012/19 / UE e 2015/863 / UE sobre a restrição do uso de substâncias perigosas em equipamentos elétricos e eletrônicos, bem como a eliminação de resíduos. O símbolo com o cubo de lixo cruzado mostrado no embalagem indica que o produto ao final de sua vida útil será coletado como lixo separado. Portanto, qualquer produto que tenha atingido o fim de sua vida útil deve ser entregue a centros especializados de eliminação de resíduos para coleta seletiva de equipamentos elétricos e eletrônicos, ou devolvido ao varejista ao comprar equipamentos novos similares, em um por um base. A coleta seletiva adequada para o encaminhamento subsequente do equipamento enviado para reciclagem, tratamento e descarte de maneira ecológica ajuda a evitar possíveis efeitos negativos no meio ambiente e na saúde e otimiza a reciclagem e reutilização de os componentes que compõem o dispositivo. A eliminação abusiva do produto pelo usuário implica a aplicação de sanções administrativas de acordo com as leis.



Conformément aux directives: 2012/19 / UE et 2015/863 / UE sur la limitation de l'utilisation de substances dangereuses dans les équipements électriques et électroniques, ainsi que leur élimination des déchets. Le symbole avec le poubelle croisée indique que le produit à la fin de sa durée de vie sera collecté en tant que déchet séparé. Par conséquent, tout produit ayant atteint la fin de sa durée de vie doit être livré dans des centres d'élimination des déchets spécialisés pour la collecte sélective des déchets d'équipements électriques et électroniques, ou retourné au détaillant lors de l'achat de nouveaux équipements similaires, en un seul pour une base. Une collecte séparée appropriée pour la mise en service ultérieure des équipements envoyés pour être recyclés, traités et éliminés d'une manière respectueuse de l'environnement aide à prévenir les effets négatifs potentiels sur l'environnement et la santé et optimise le recyclage et la réutilisation des les composants qui composent l'appareil. L'élimination abusive du produit par l'utilisateur implique l'application de sanctions administratives conformément aux lois.



In conformità con le direttive 2012/19 / UE e 2016/863 / UE sulla restrizione dell'uso di sostanze pericolose nelle apparecchiature elettriche ed elettroniche, nonché sul loro smaltimento dei rifiuti. Il simbolo con la pila incrociata mostrato sulla confezione indica che il prodotto al termine della sua vita utile verrà raccolto come rifiuto separato. Pertanto, qualsiasi prodotto che ha raggiunto la fine della sua vita utile deve essere consegnato a centri specializzati di smaltimento dei rifiuti per la raccolta selettiva di rifiuti di apparecchiature elettriche ed elettroniche e restituito al rivenditore al momento dell'acquisto di nuove apparecchiature simili, in un'unica per una base. Una corretta raccolta separata per le successive messa in servizio di apparecchiature spedite per essere riciclate, trattate e smaltite in modo ecologico aiuta a prevenire potenziali effetti negativi sull'ambiente e sulla salute e ottimizza il riciclaggio e il utilizzo di i componenti che compongono l'apparato. L'eliminazione abusiva del prodotto da parte dell'utente implica l'applicazione di sanzioni amministrative in conformità con la legge.



In Übereinstimmung mit den Richtlinien 2012/19 / EU und 2016/863 / EU über die Beschränkung der Verwendung gefährlicher Stoffe in elektrischen und elektronischen Geräten sowie deren Abfallentsorgung. Das Symbol mit der gekreuzten Mülltonne auf der Verpackung zeigt an, dass das Produkt am Ende seiner Nutzungsdauer als separater Abfall gesammelt wird. Daher muss jedes Produkt, das das Ende seiner Nutzungsdauer erreicht hat, an spezialisierte Abfallentsorgungszentren zur selektiven Sammlung von elektrischen und elektronischen Abfallgeräten geliefert oder beim Kauf ähnlicher neuer Geräte an den Einzelhändler zurückgegeben werden. In eine Basis. Die ordnungsgemäße getrennte Sammlung für die spätere Inbetriebnahme von Geräten, die zum umweltfreundlichen Recycling, zur Behandlung und Entsorgung verwendet werden, trägt dazu bei, mögliche negative Auswirkungen auf Umwelt und Gesundheit zu vermeiden und die Recycling und die Wiederverwendung zu optimieren die Komponenten, aus denen das Gerät besteht. Die missbräuchliche Beseitigung des Produkts durch den Benutzer impliziert die Anwendung von Verwaltungsmaßnahmen in Übereinstimmung mit den Gesetzen.



In overeenstemming met de richtlijnen 2012/19 / EU en 2016/863 / EU betreffende de beperking van het gebruik van gevaarlijke stoffen in elektrische en elektronische apparatuur, evenals hun afvalverwerking. Het symbool met de gekruiste vuilnisbak op de verpakking geeft aan dat het product aan het einde van zijn levensduur als gescheiden afval wordt ingezameld. Daarom moet elk product dat het einde van zijn levensduur heeft bereikt, worden afgeleverd bij gespecialiseerde afvalverwerkingscentra voor de selectieve inzameling van afgedankte elektrische en elektronische apparatuur, of bij de aankoop van soortgelijke nieuwe apparatuur in één keer aan de detailhandelaar worden gestuurd. In een basis. Een juiste gescheiden inzameling voor latere milieuvriendelijke van apparatuur die wordt verwerkt om te worden gerecycled, behandeld en te worden gerecycled, helpt mogelijk negatieve effecten op het milieu en de gezondheid te voorkomen en optimaliseert recycling en hergebruik van de componenten waaruit het apparaat bestaat. De onrechtmatige eliminatie van het product door de gebruiker impliceert de toepassing van administratieve sancties in overeenstemming met de wetten.



Zgodnie z dyrektywami 2012/19 / UE i 2016/863 / UE w sprawie ograniczenia stosowania niebezpiecznych substancji w sprzęcie elektrycznym i elektronicznym, a także ich usuwania. Symbol z przekreślonym pojemnikiem na śmieć pokazany na opakowaniu oznacza, że produkt pod koniec okresu użytkowania będzie zbierany jako osobny odpad. Dlatego każdy produkt, który osiągnął koniec okresu użytkowania, musi zostać dostarczony do wyspecjalizowanych centrów usuwania odpadów w celu selektywnej zbiórki zużytego sprzętu elektrycznego i elektronicznego lub zwrócony do sprzedawcy przy zakupie podobnego nowego sprzętu, w jednym dla jednej bazy. Właściwa selektywna zbiórka w celu późniejszego uruchomienia sprzętu promującego do recyklingu, obróbki i utylizacji w sposób przyjazny dla środowiska pomaga zapobiec potencjalnym negatywnym skutkom dla środowiska i zdrowia oraz optymalizuje recykling i ponowne użycie elementy składające się na urządzenie. Nielegalne usunięcie produktu przez użytkownika oznacza narządzenie sankcji administracyjnych zgodnie z prawem.

# CREATE