

# DOWINX GAMING CHAIR USER GUIDE

---

Dowinx Ergonomic Gaming Chair



**DOWINX**

**DOWINX**

---

**WWW.DOWINX.COM**

# CONTENTS

**DOWINX LS-6688 Gaming Chair**



<b>Brand Story</b>	01
Introduction	02
Component	03
Instruction	05
<b>Main Features of The Product</b>	11



Dowinx was founded in 2013, and has been specializing in design and producing gaming chair for more than 7 years. We have designed a variety of professional gaming chair with the ergonomic function, which is suitable for long-time working or playing.

The company focusing at creating the best gaming chair with professional product lines and skilled technicians. With the purpose of leading healthy working environment, Dowinx keeps crafting better products to improve people's sitting quality. Meanwhile we have set up warehouses overseas and service agencies in USA, UK and AUS to provide better customer service.

“FOR YOUR SATIFICATION, DO MY BEST” is our key word. We expect that bring you a great purchasing experience.

# DOWINX LS-6688 CHAIR



Dowinx gaming chair made of faux-leather which is more durable and environmental friendly. With the ergonomic design, high elasticity sponge stuffed pillow and seat cushion, the chair provides a comfortable experience when when you need to sit on it for hours.

The chair has easy adjustment on every single parts, chair back can recline to 180 degree, and the armrests can be adjusted by its angle and height, the seat height also can be easily adjusted by the high quality gas cylinder. Additionally, the head pillow and lumbar support help relaxing when lie on the chair.

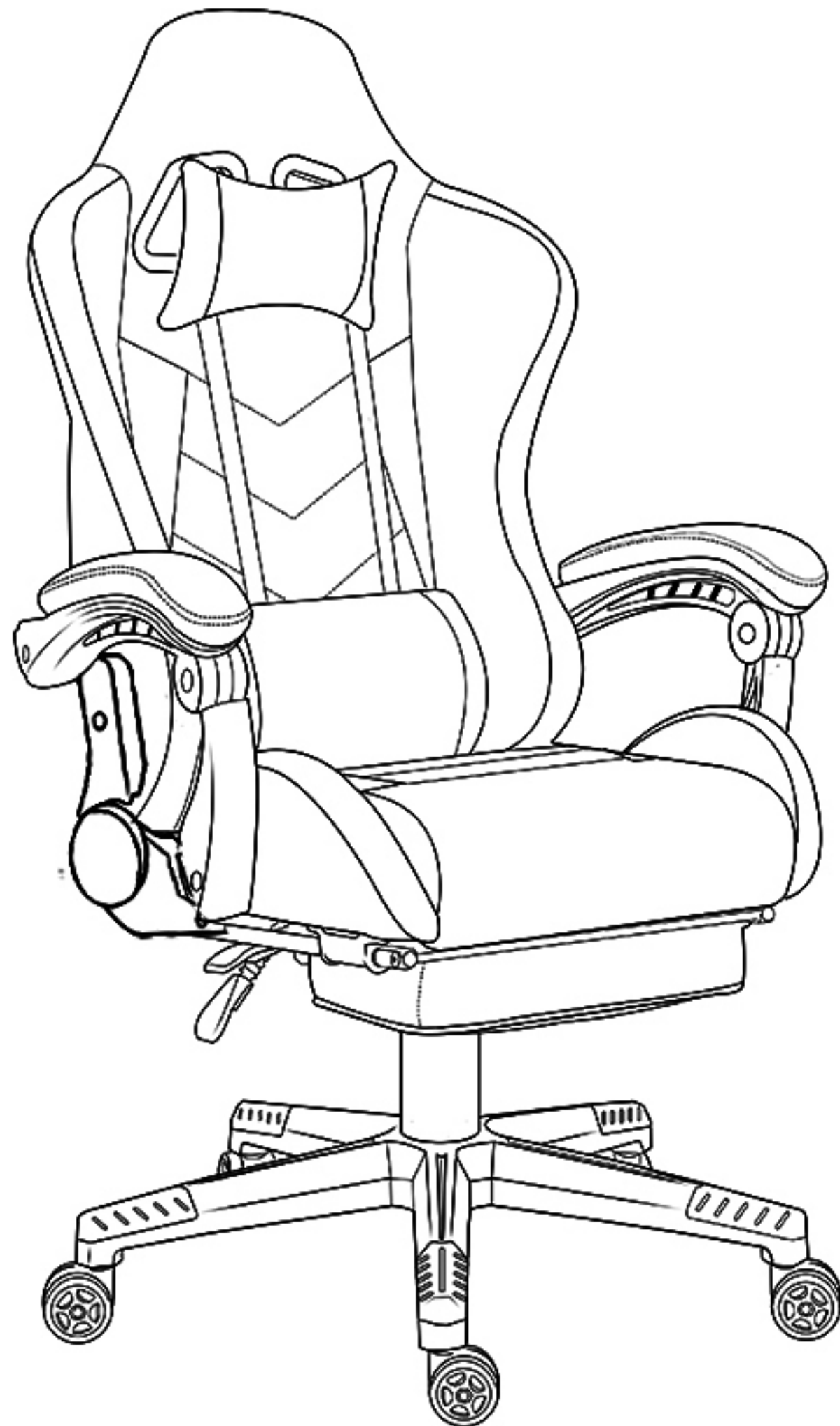
To ensure customer experience, 24/7 customer service will be provided by [Dowinx@vip.126.com](mailto:Dowinx@vip.126.com)






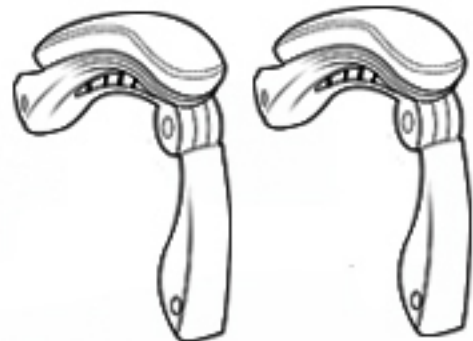

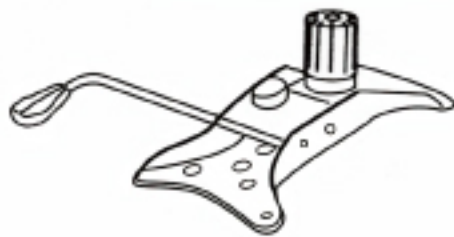









Please make sure the package contains the following items.

※ Actual product may vary from image.



Install Video →

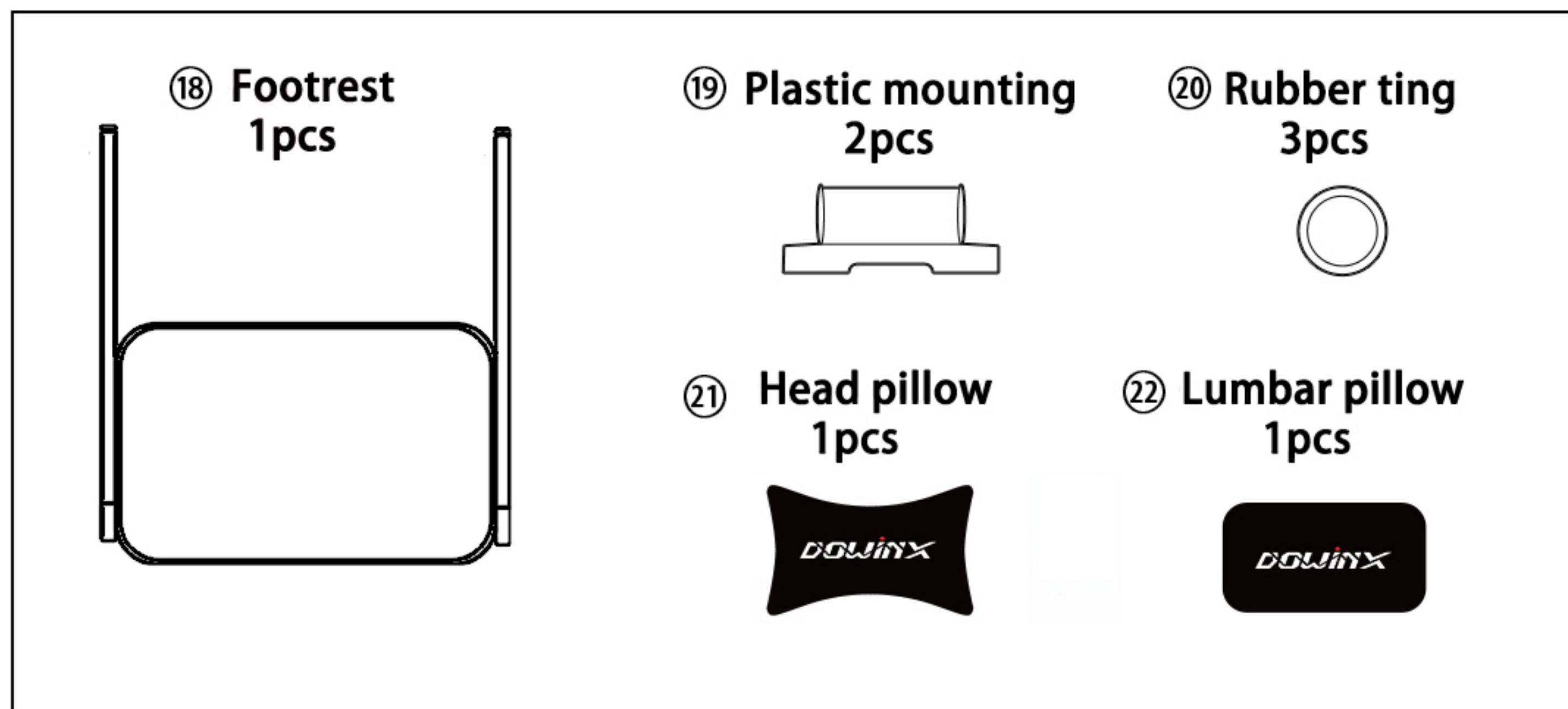
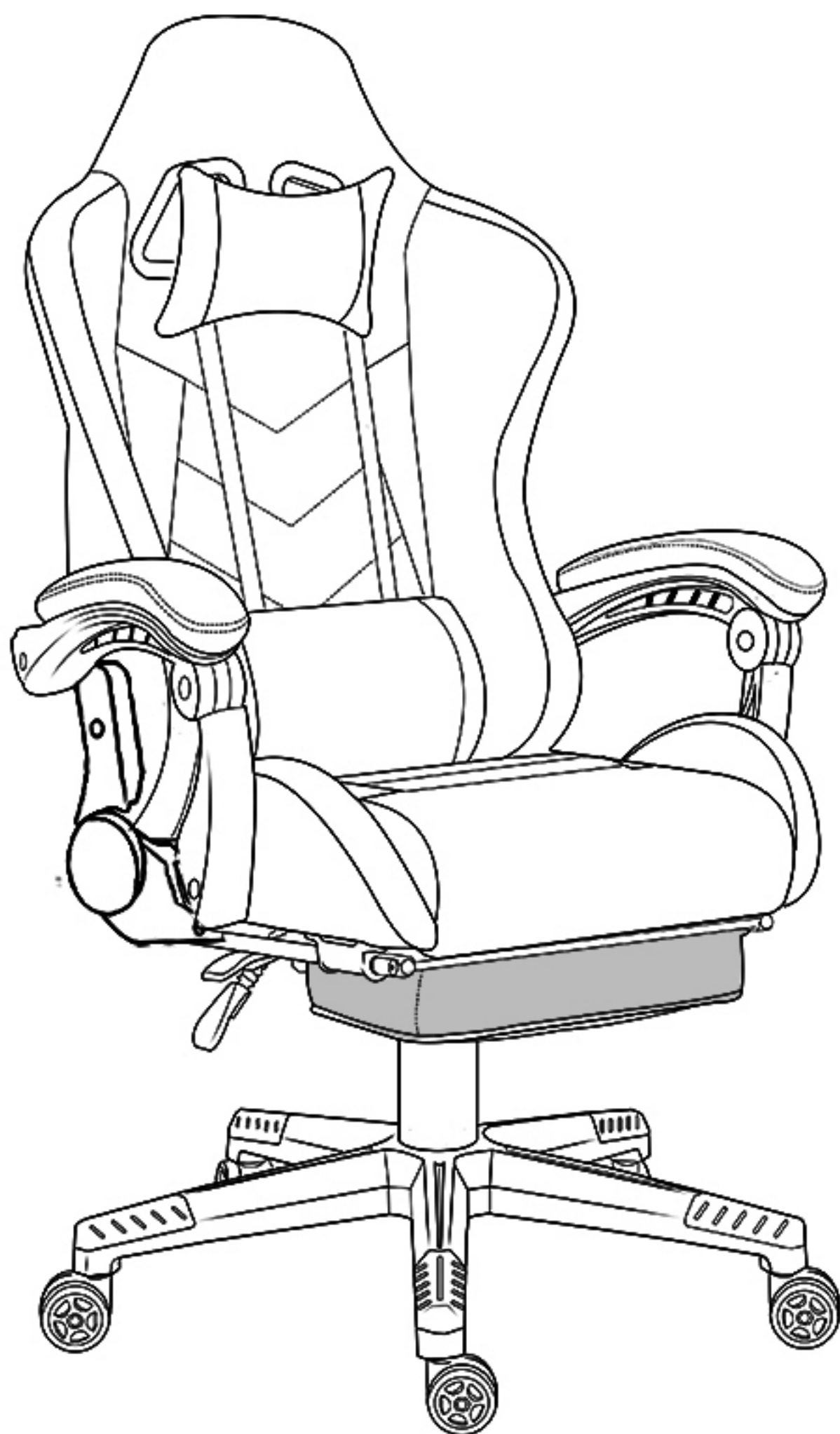


<p>① Base 1pcs</p> 	<p>② Wheel 5pcs</p> 	<p>③ Gas Cylinder 1pcs</p> 	<p>④ Seat 1pcs</p> 	<p>⑤ Backrest 1psc</p> 
<p>⑥ Armrest 2pcs</p> 	<p>⑦ Gas cylinder cover 1pcs</p> 	<p>⑧ Tilt mechanism 1pcs</p> 	<p>⑨ Allen key 2pcs</p> 	<p>⑩ Chair Side Cover 2pcs</p> 
<p>⑪ Backrest Screw 4pcs M8*25MM</p> 	<p>⑫ Tilt mechanism Screw 4pcs M8*20MM</p> 	<p>⑬ Chair Side Cover screw 3pcs M5*12MM</p> 	<p>⑭ Plastic Mounting screw 4pcs M6*30MM</p> 	<p>⑮ Hats 4pcs</p> 
<p>⑯ Armrest screw 4pcs M8*50</p> 	<p>⑰ Spring Washer 4pcs</p> 			

\*⑪⑫⑭ has been pre-installed, please check the bottom of the chair

## Footrest Components

- ※ Please make sure the footrest package contains the following items.
- ※ Actual product may vary from image.

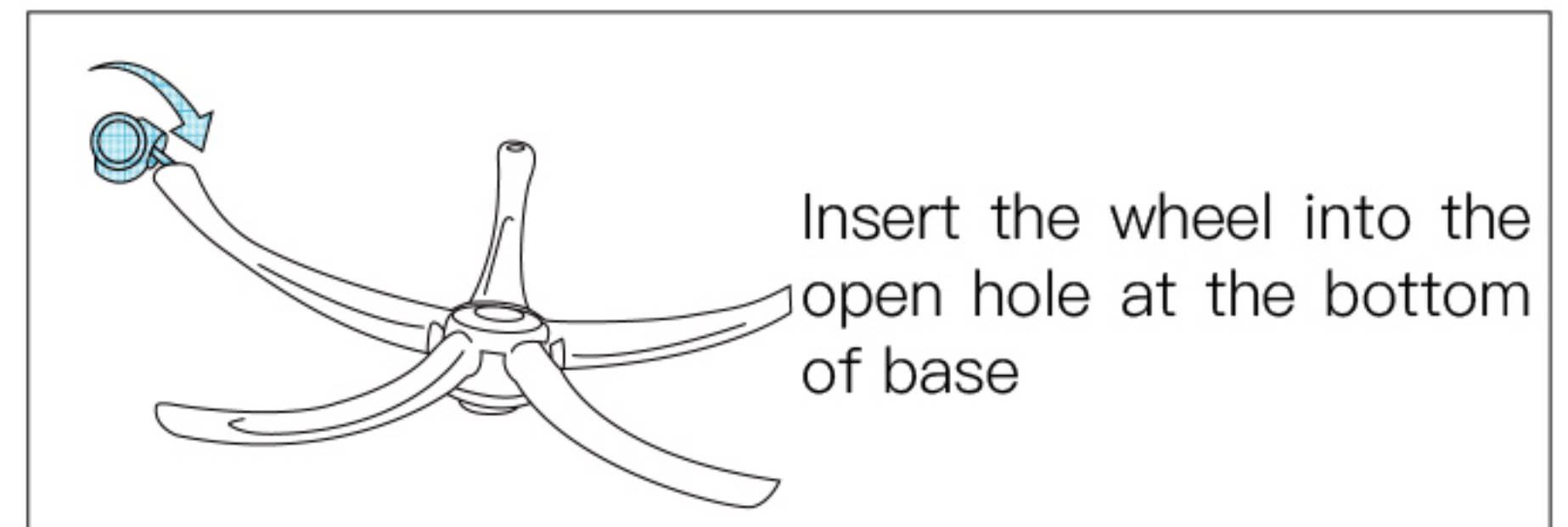
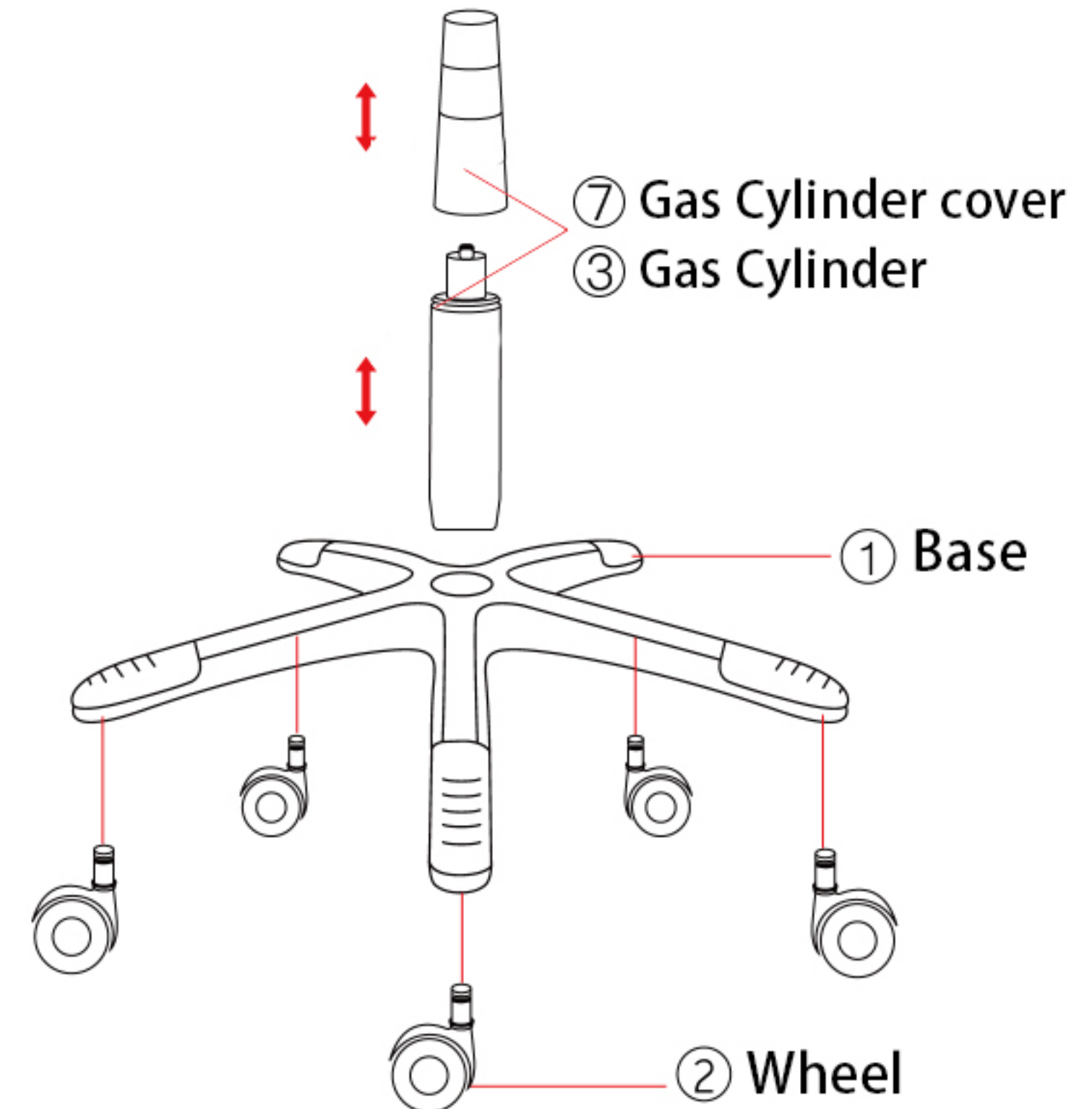


**\*One more set of consumables is prepared.**

## Please Notice:

1. Do not stand on the chair as a step stool or ladder.
2. Do not use the chair unless all screws and parts are tight.
3. Be careful, some of the parts are heavy and sharp.

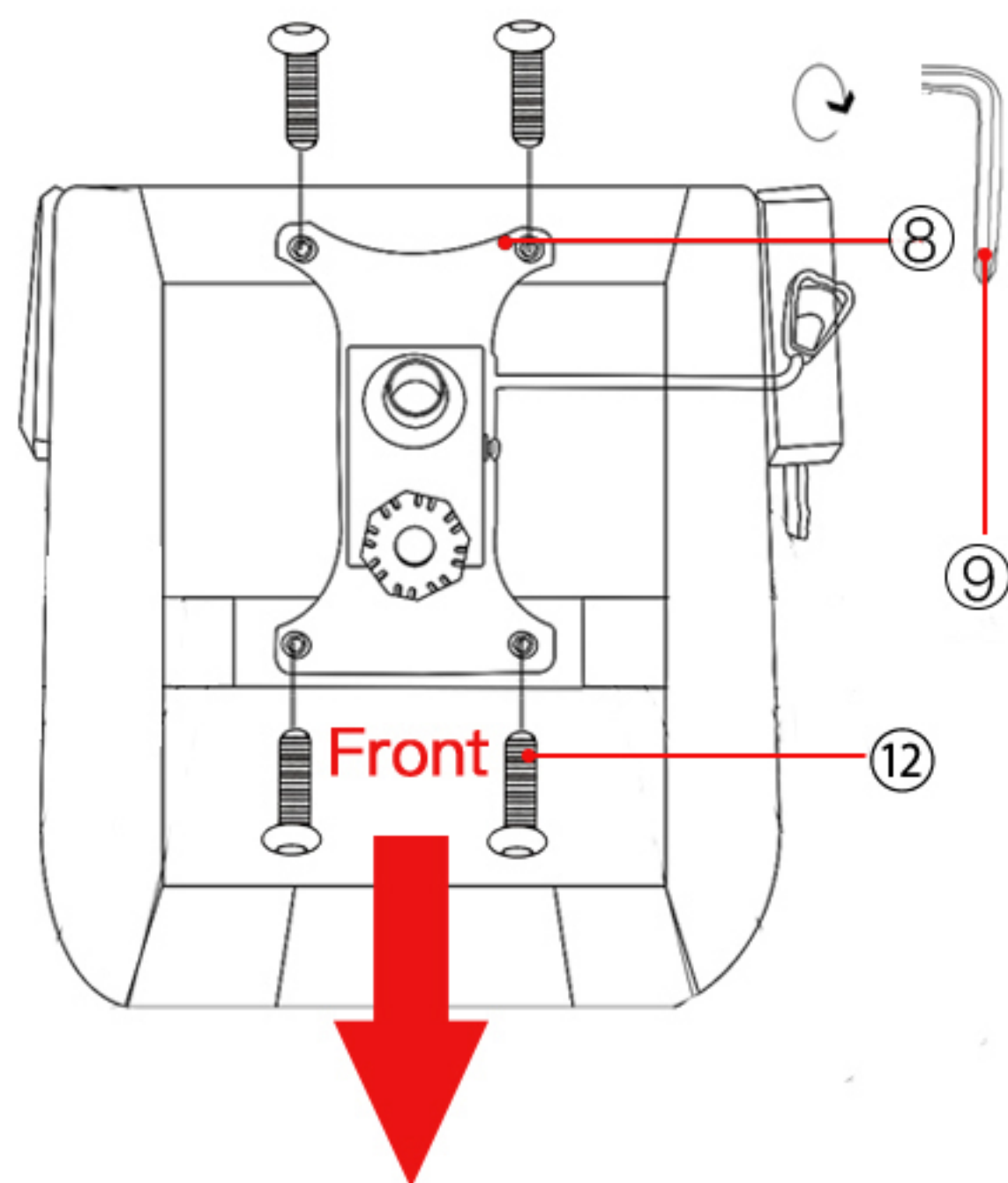
## 01 Wheel, Base and Gas Lift Installation



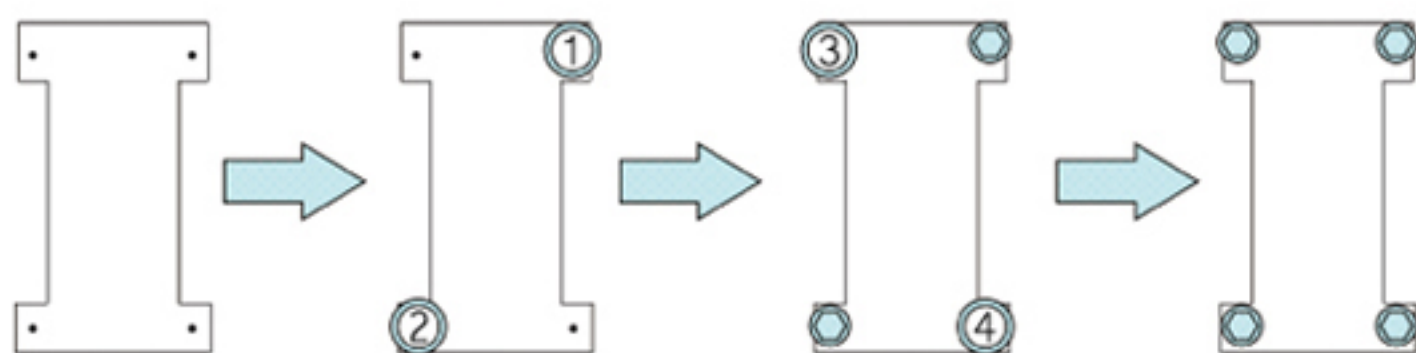


# 02

Connect tilt mechanism to the seat

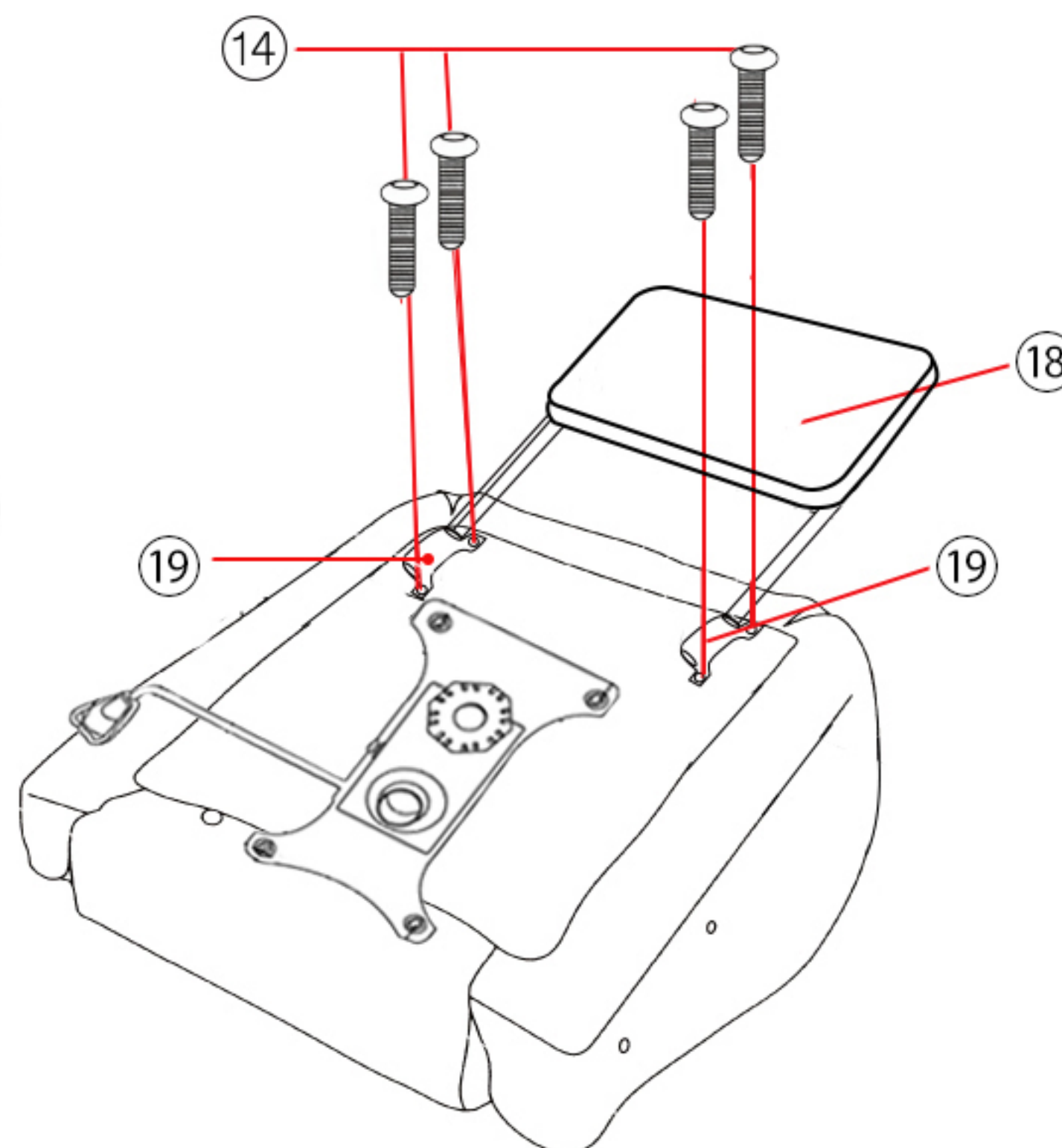


\* Lilt mechanism assembly sequence  
Please pay attention to the direction \*



# 03

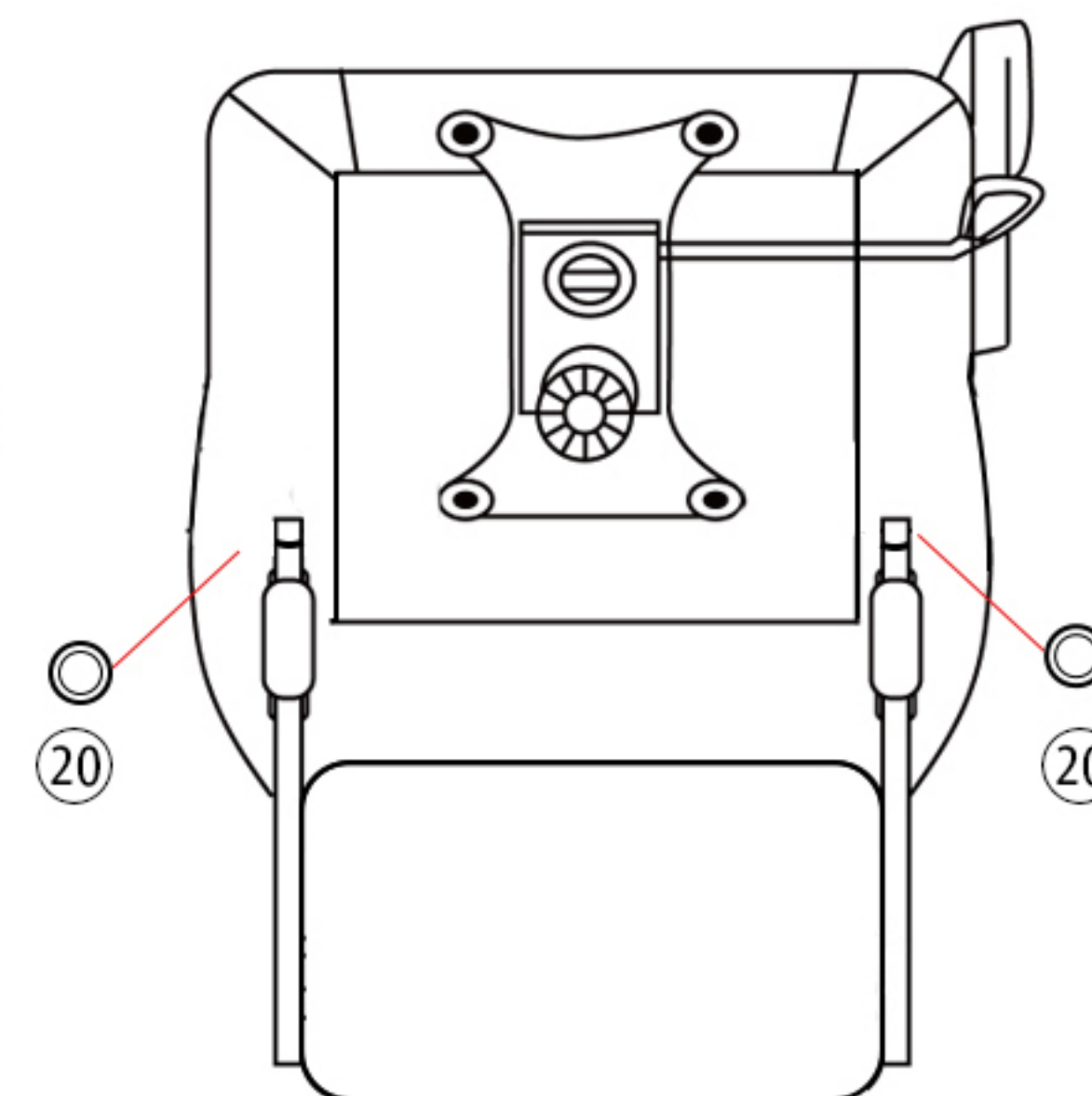
Connect footrest with accessories to seat bottom



\* ⑫ Screws have been assembled on the seat, please loosen them for further assembly.\*

# 04

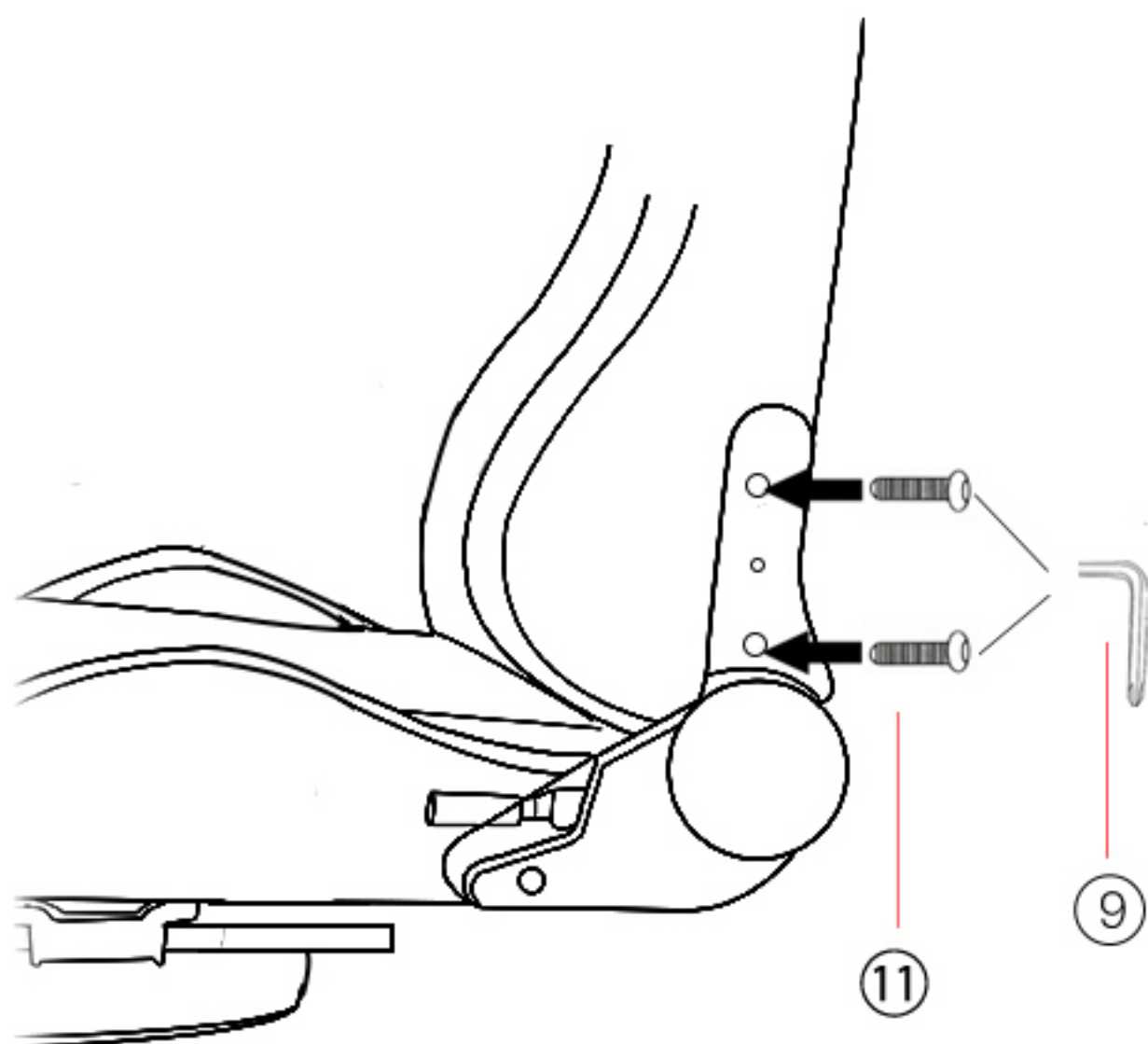
Connect footrest to footrest rods



\* Screws have been assembled on the seat bottom, please loosen them for further assembly.\*

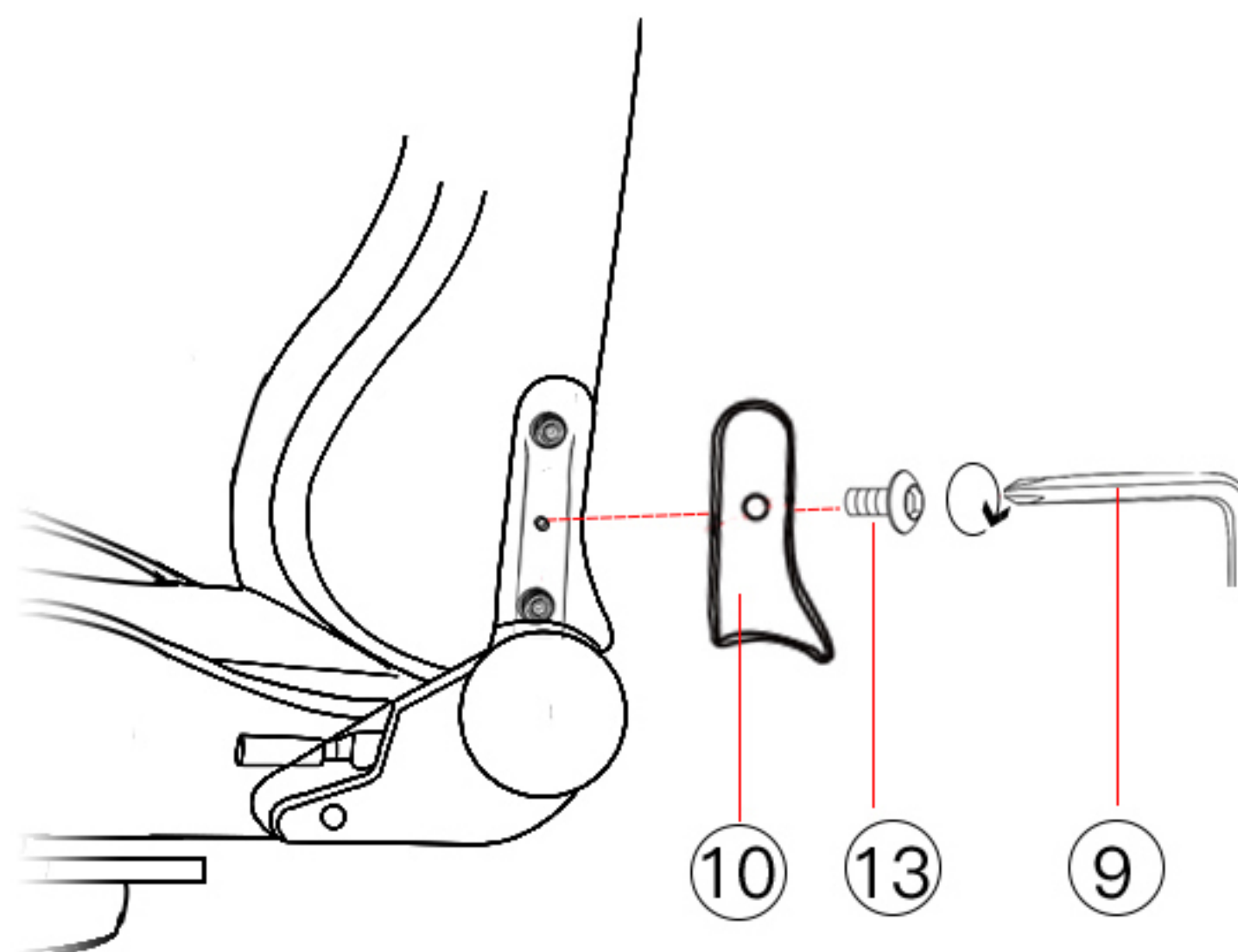
# 05

Connect the backrest to the seat assemble the left side(recliner mechanism)– first



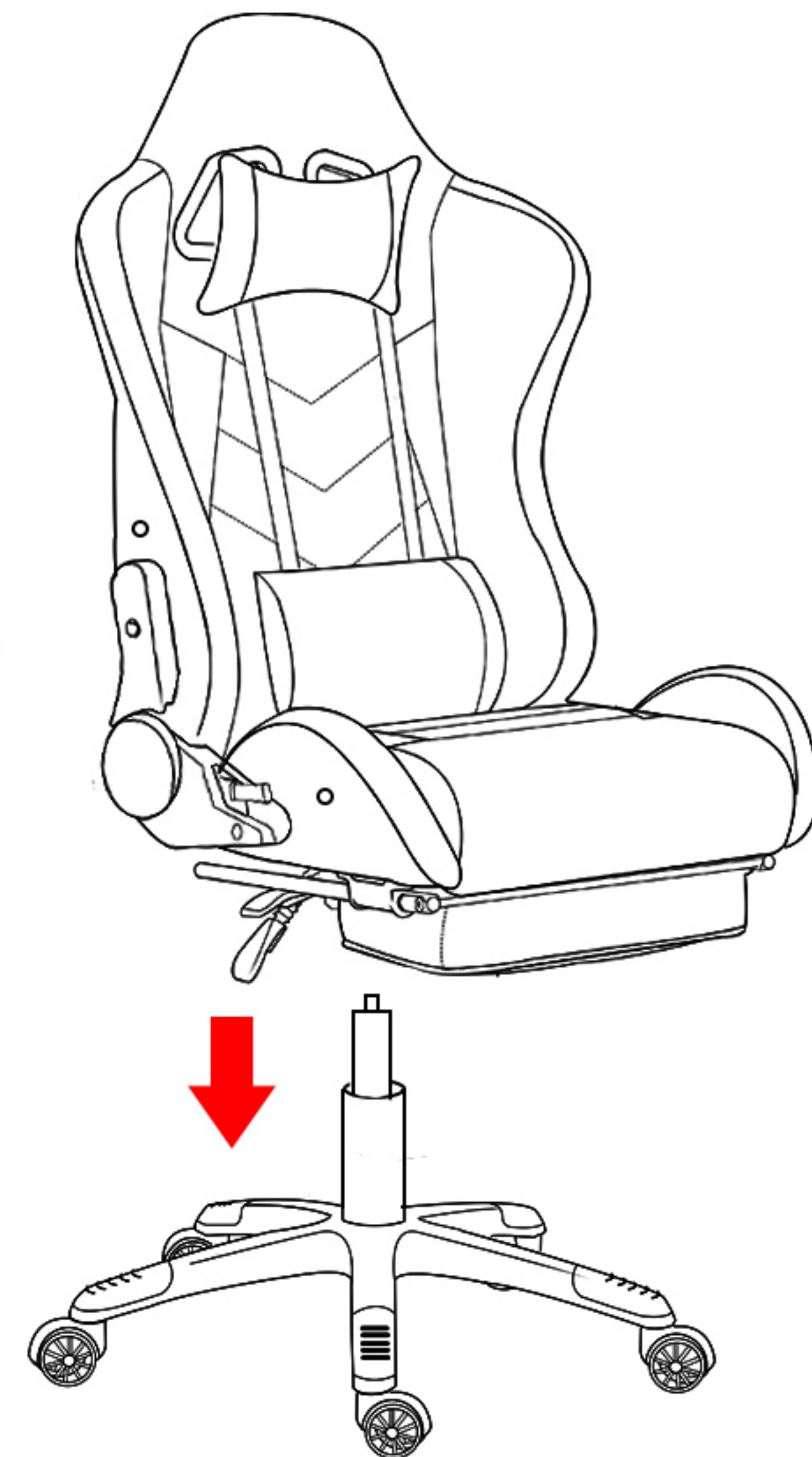
# 06

Assemble the plastic cover



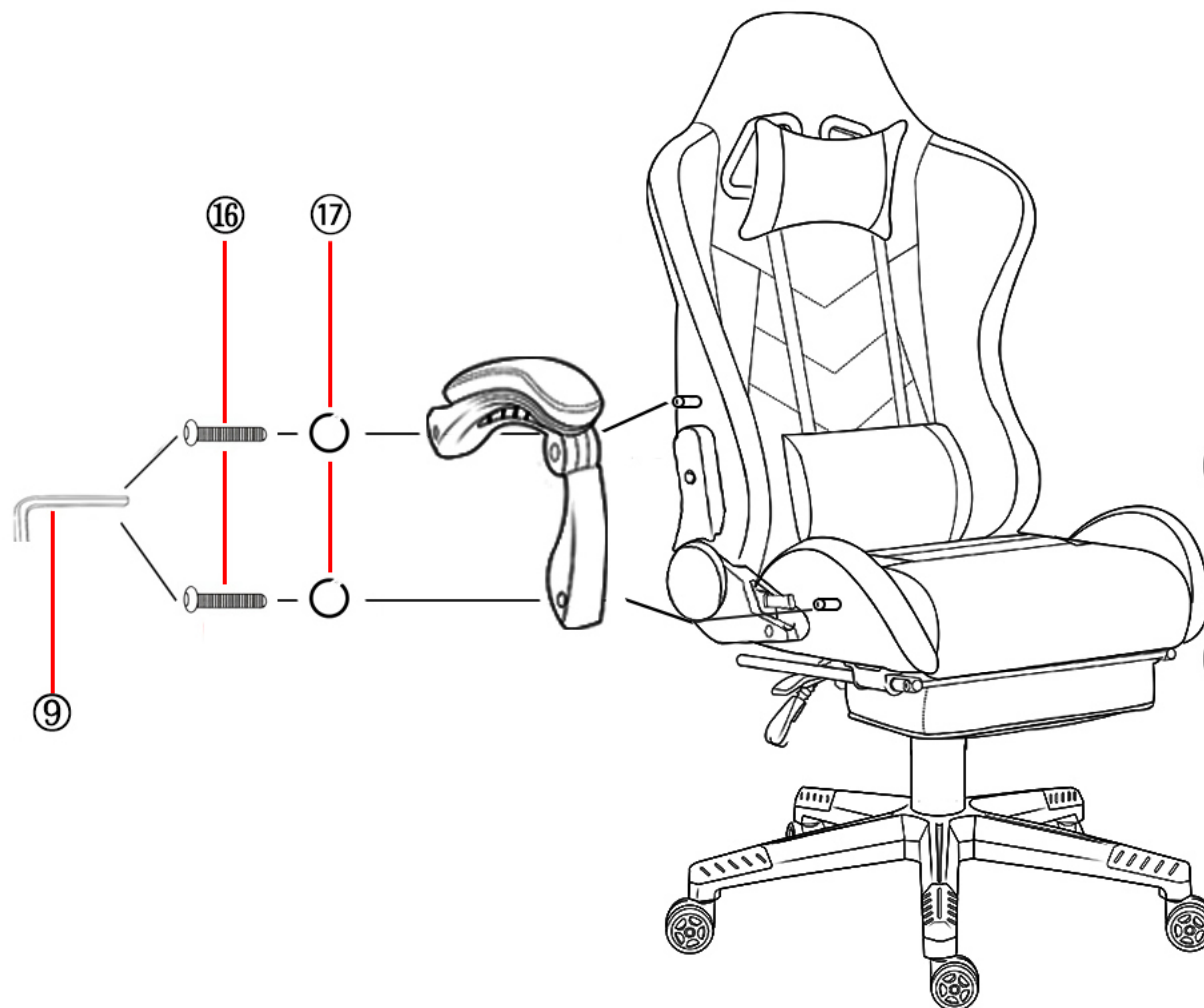
# 07

Connect the upper body and push it down connected with gas cylinder tight tightly



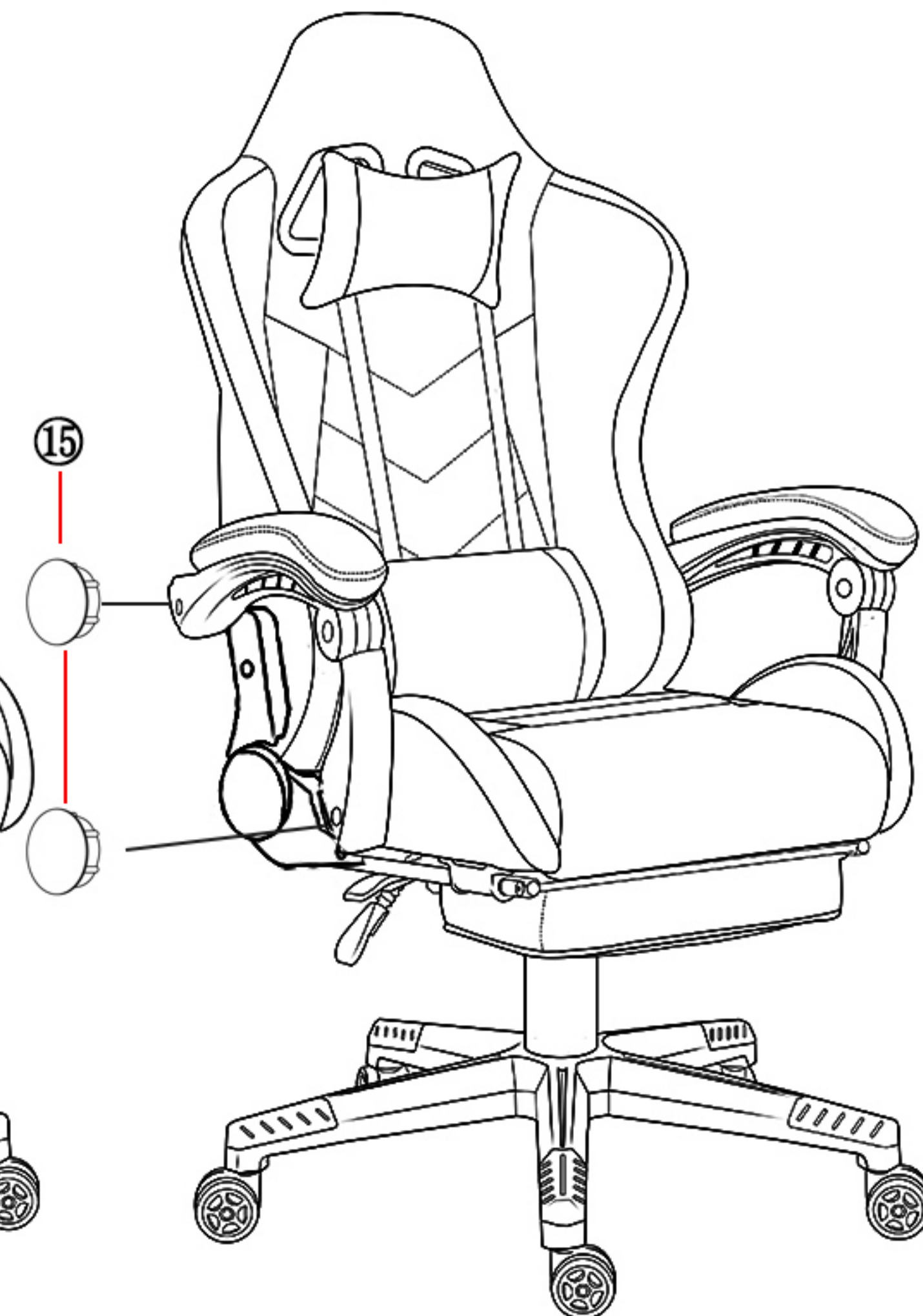
## 08

Connect armrest to the seat



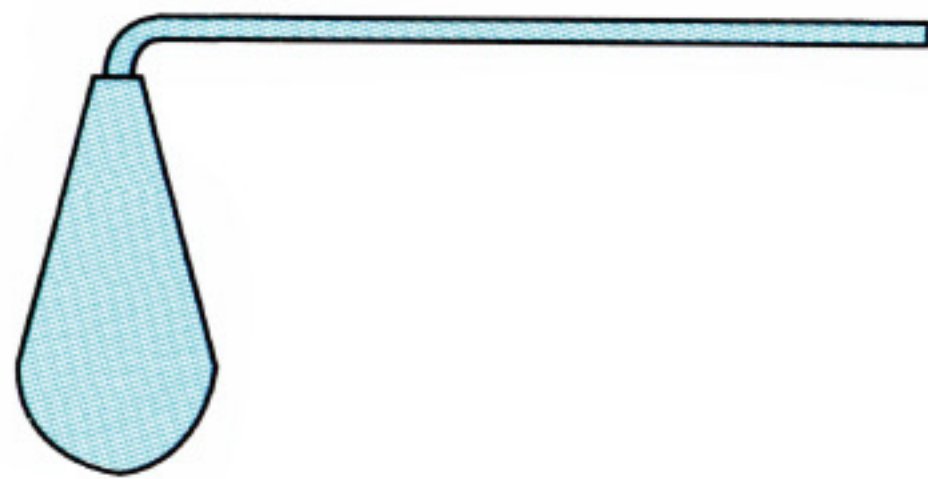
## 09

Assembly of chair with footrest is complete



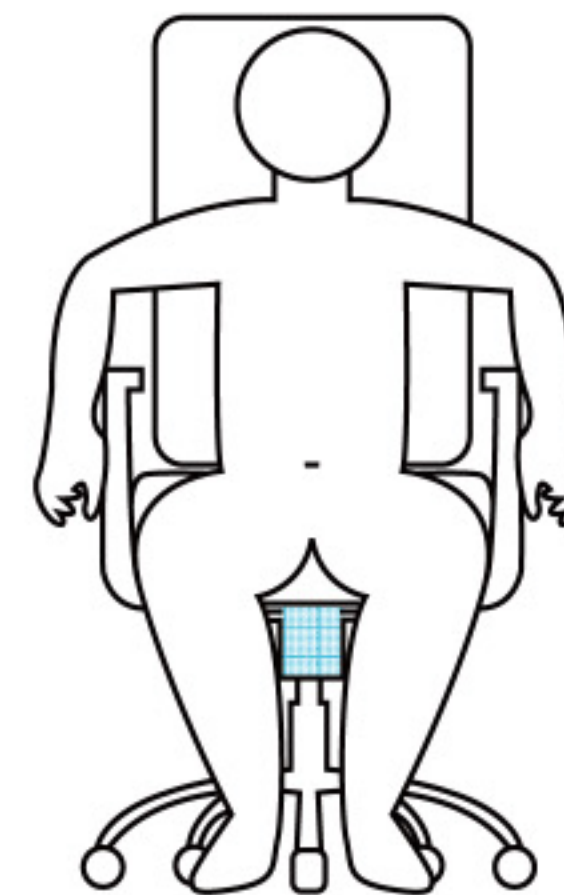
### Cautions

Right hand



Height handle

Left hand

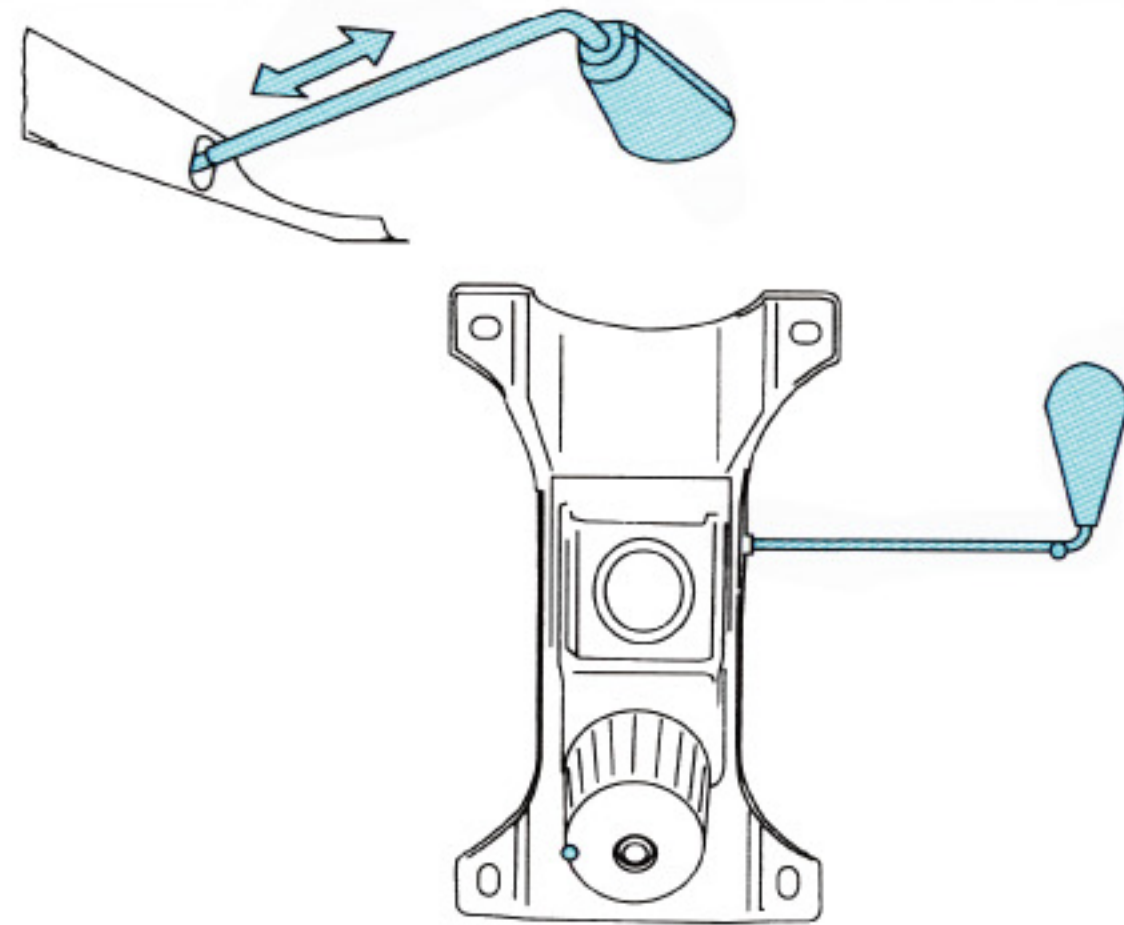


No handle

**\*Tilt Mechanism knob should be located under the front of the seat\***

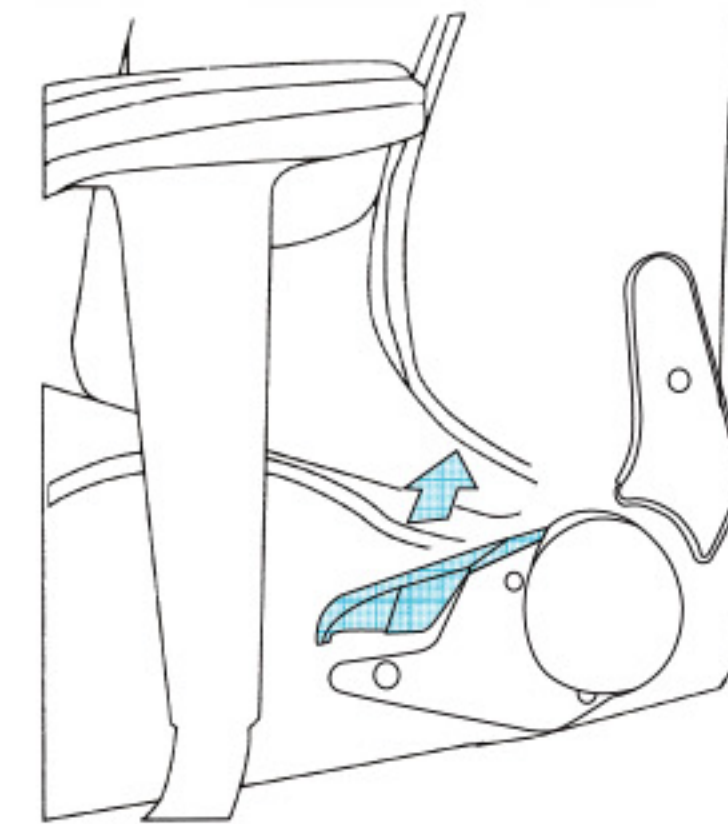
## Cautions

### Rocking



Put out/push in the lever to enable/disable rocking function  
Twist the knob to adjust tension of tilting

### Recline and Lock



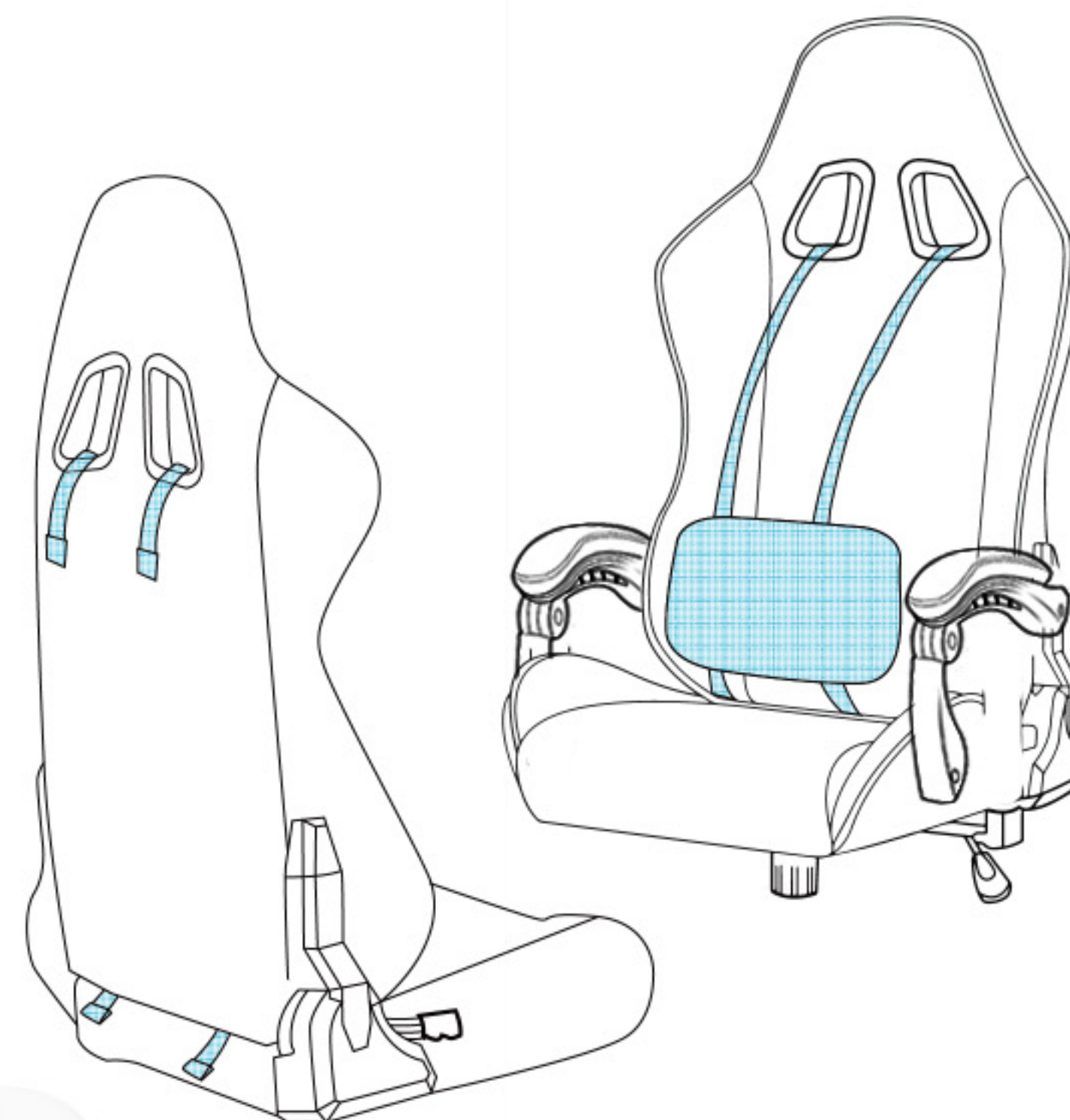
When tilting down the backrest to 180 degrees (if vigorously laying down) , you may hear noises of clicking. It's from the gear rotating, not a defect of the product.

You can control the tilt angle by adjust the handle. Pulling up the handle and find the angle position you want, release the handle to lock the tilt.

# Main Features of the Product

01

Adjustable lumbar pillow height



## 02

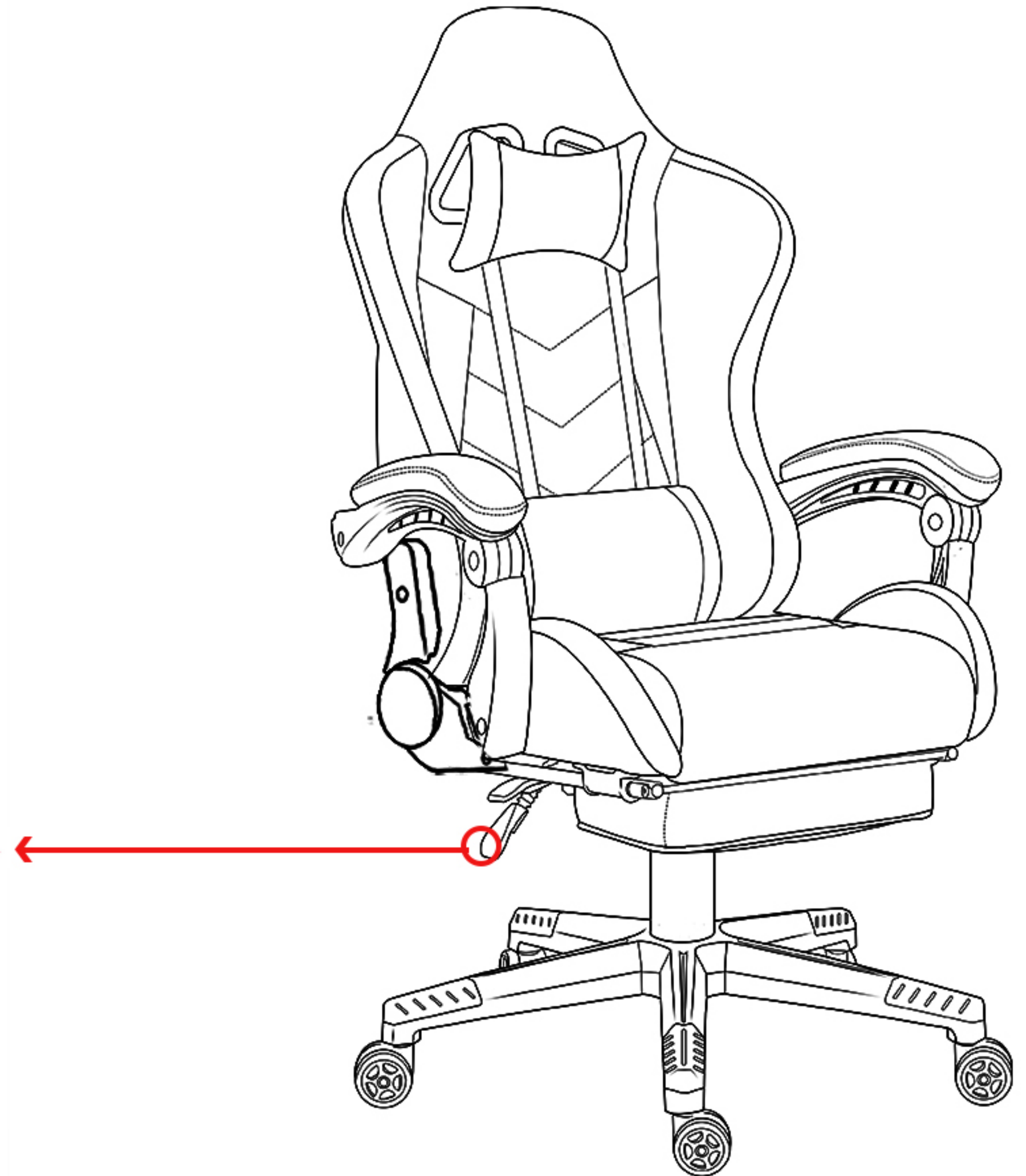
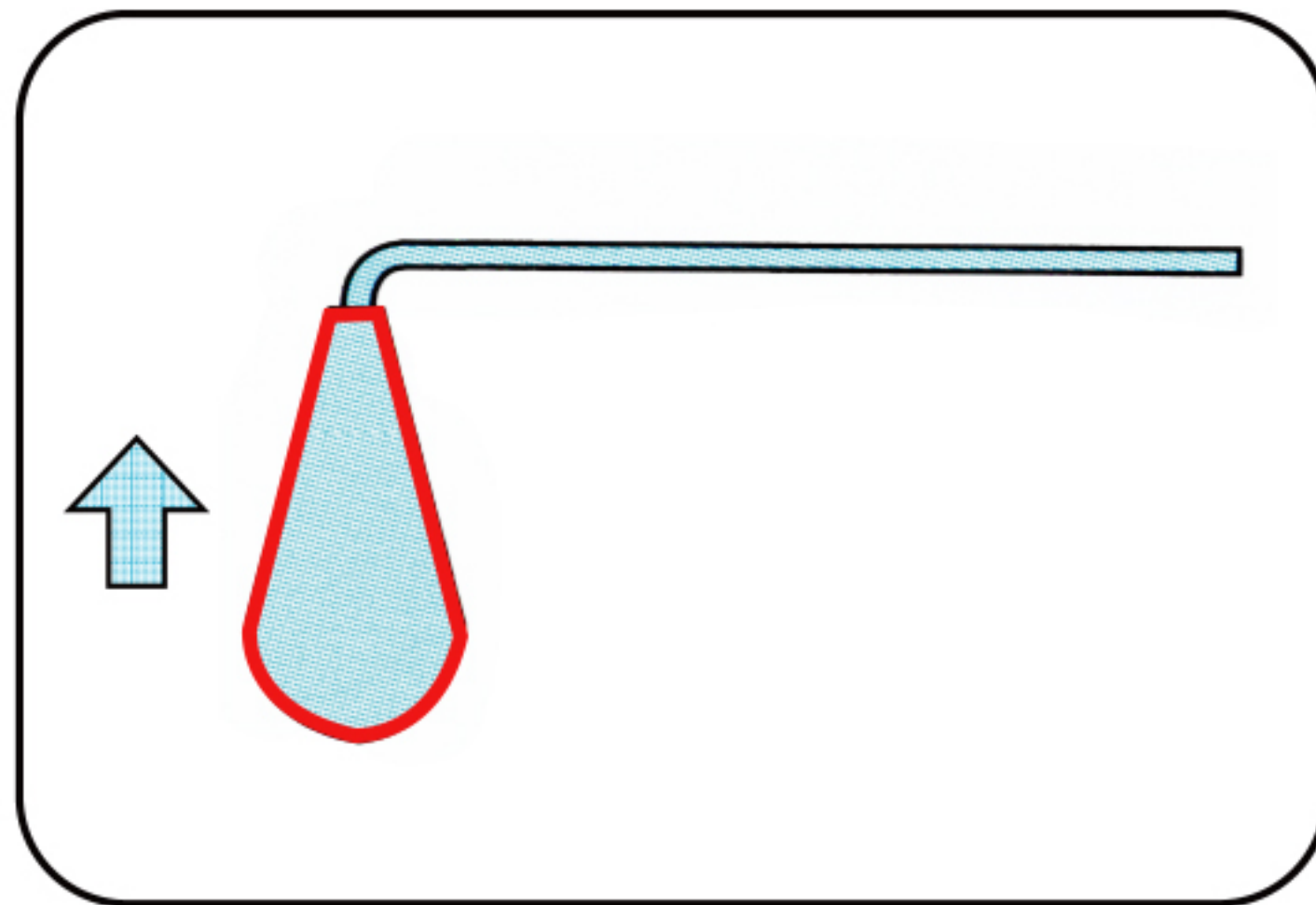
Adjustable seat height

### Raise your chair:

Stand up and pull height handle upwards.

### Lower your chair:

Sit down on the chair to pull height handle upwards.



## 03

Adjust the backrest angle

The backrest can adjust to 180 degrees

### **To tilting the backrest backwards:**

Pulling up the handle and find the angle position you want, release the handle to lock the tilt.

### **When tilting the backrest forward:**

Stright your back and pu upward the lever the backrest will lean back, be careful with lean back force.

**\*Caution: Please be careful that leaning the back to the maximum 180 degree may cause the chair to fall backwards.**





# 04

## Adjustable armrest

Leather covered armrest provide a soft touch feeling, and it's specially designed to perfectly fit the back angle adjusting function. (Screws for handrests has been Pre-installed, loose first then install the armrest)



# 05

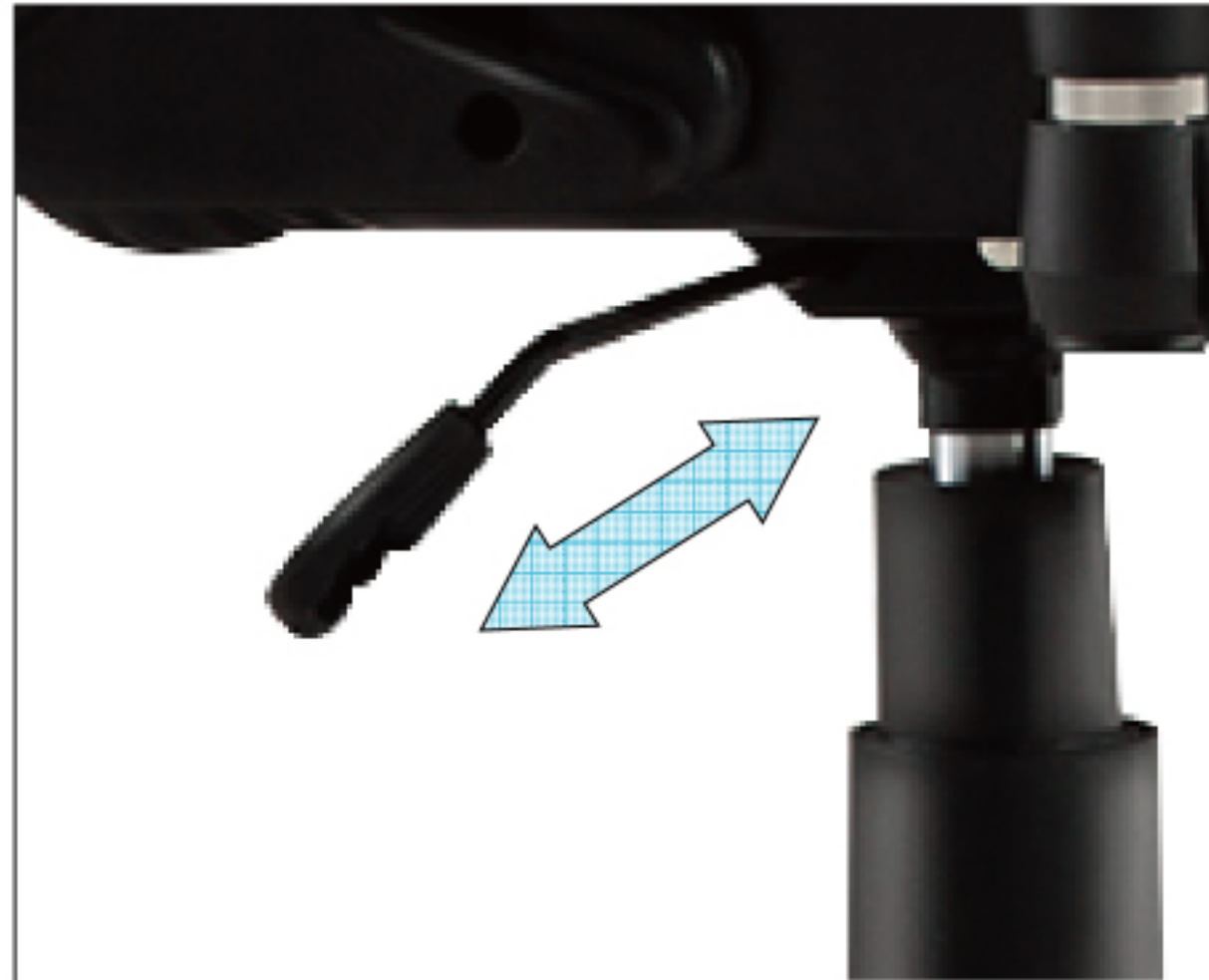
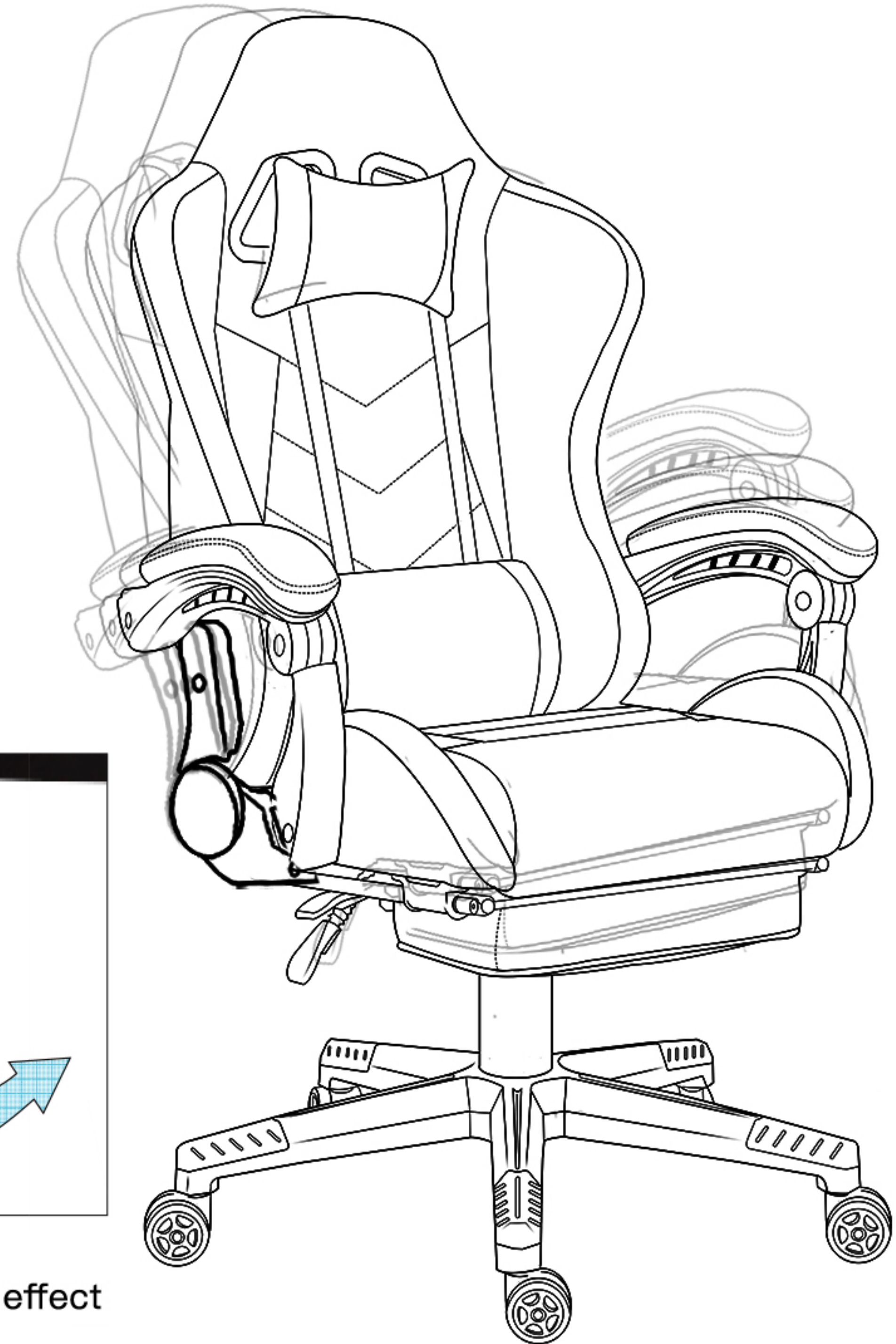
Rocking

Angle range:0–20°

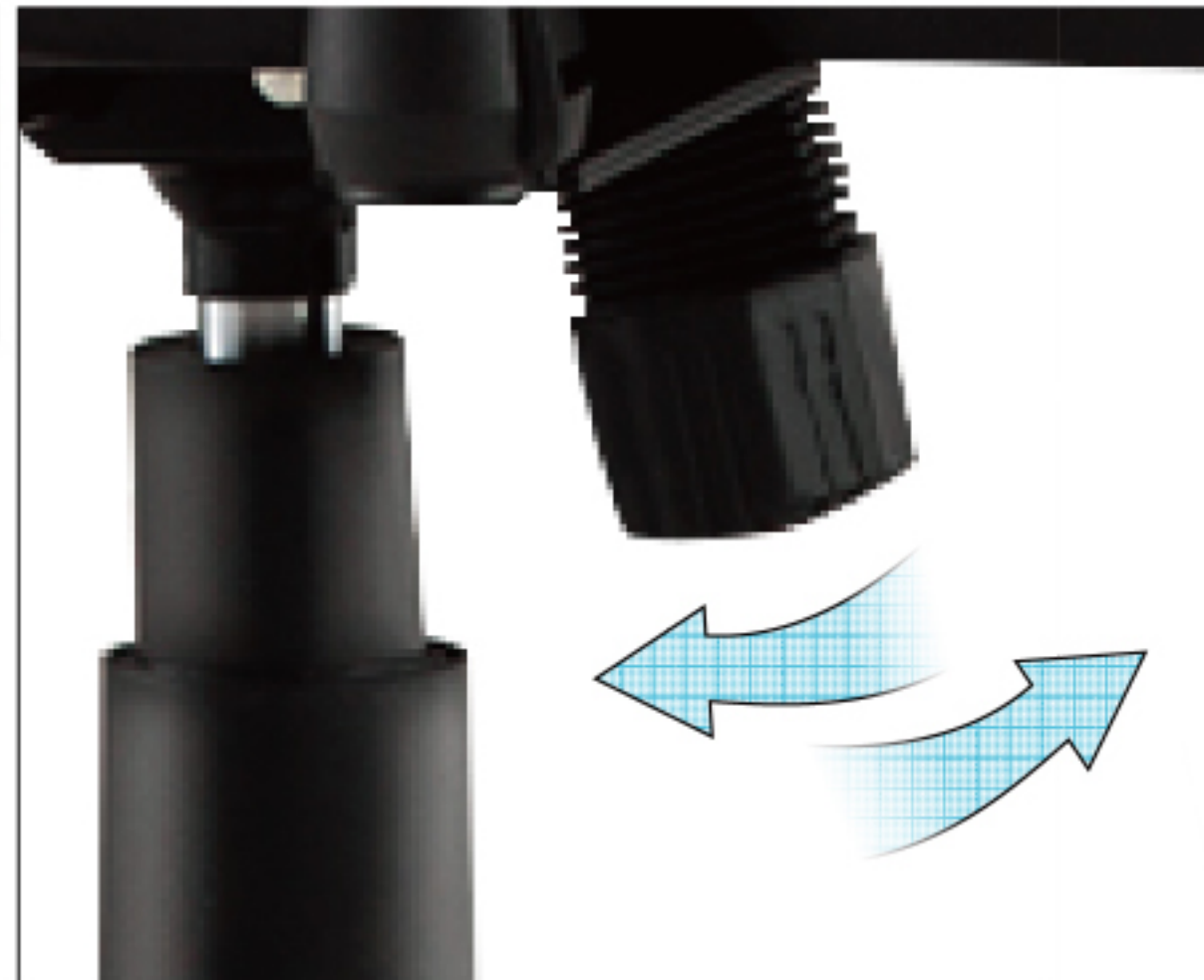
Twist on/off the lever to adjust tilt extent

Pull out the lever to enable rocking

Push in the lever to disable this function



Pull out lever/Turn on roching  
Push in lever/ Turn off roching



Clocking to tight rocking  
Counterclockwise oppsite effect



Congratulations! You have finished all steps of building up the chair.  
Now you can enjoy your new multifunctional gaming chair!

Your recognition of our brand helps us to make progress better.

Looking forward to see your sharing review and pictures on our Amazon page

Any problems please feel free to contact our customer service email: [Dowinx@vip.126.com](mailto:Dowinx@vip.126.com)

## **Noted**

\*Please tight all screws every 3 months (screws loose may cause squeak and wobble)\*

