

# SHARP



## User manual

YC-GC52FE

Microwave oven

EN

DE

ES

PT

FR

PL

NL

IT

\*Product images are for illustration purpose only. Actual product may vary.





**Attention:**

Your product is marked with this symbol. It means that used electrical and electronic products should not be mixed with general household waste. There is a separate collection system for these products.

## A. Information on Disposal for Users (private households)

### 1. In the European Union

Attention: If you want to dispose of this equipment, please do not use the ordinary dustbin!

Used electrical and electronic equipment must be treated separately and in accordance with legislation that requires proper treatment, recovery and recycling of used electrical and electronic equipment.

Following the implementation by member states, private households within the EU states may return their used electrical and electronic equipment to designated collection facilities free of charge\*.

In some countries\* your local retailer may also take back your old product free of charge if you purchase a similar new one.

\*) Please contact your local authority for further details.

If your used electrical or electronic equipment has batteries or accumulators, please dispose of these separately beforehand according to local requirements. By disposing of this product correctly you will help ensure that the waste undergoes the necessary treatment, recovery and recycling and thus prevent potential negative effects on the environment and human health which could otherwise arise due to inappropriate waste handling.

### 2. In other Countries outside the EU

If you wish to discard this product, please contact your local authorities and ask for the correct method of disposal.

For Switzerland: Used electrical or electronic equipment can be returned free of charge to the dealer, even if you don't purchase a new product.

Further collection facilities are listed on the homepage of [www.swico.ch](http://www.swico.ch) or [www.sens.ch](http://www.sens.ch).

## B. Information on Disposal for Business Users

### 1. In the European Union

If the product is used for business purposes and you want to discard it:

Please contact your SHARP dealer who will inform you about the take-back of the product. You might be charged for the costs arising from take-back and recycling. Small products (and small amounts) might be taken back by your local collection facilities.

For Spain: Please contact the established collection system or your local authority for take-back of your used products.

### 2. In other Countries outside the EU

If you wish to discard of this product, please contact your local authorities and ask for the correct method of disposal.

---

## PRECAUTIONS TO AVOID POSSIBLE EXPOSURE TO MICROWAVE ENERGY

1. Do not attempt to operate this oven with the door open as this can result in harmful exposure to microwave energy. It is important not to defeat or tamper with the safety interlocks.
2. Do not insert anything between the oven front face and the door or allow debris or cleaner residue to accumulate on sealing surfaces.
3. Do not operate the oven if it is damaged. It is very important that the oven door closes properly and that there is no damage to the door, hinges, latches or door seals and sealing surfaces.
4. Do not attempt to repair or adjust the oven.

## CONTENTS

IMPORTANT SAFETY INSTRUCTIONS.....	3
INSTALLATION.....	12
SPECIFICATIONS.....	14
OVEN AND ACCESSORIES.....	15
CONTROL PANEL.....	16
BEFORE OPERATION.....	17
SETTING THE CLOCK.....	17
EXPRESS COOKING.....	17
MICROWAVE COOKING.....	17
GRILL.....	17
MICROWAVE+GRILL.....	18
CONVECTION.....	18
MICROWAVE+CONVECTION.....	18
WEIGHT DEFROST.....	18
TIME DEFROST.....	19
KITCHEN TIMER.....	19
FAVOURITE FUNCTION.....	19
POWER SAVING FUNCTION.....	19
MUTE FUNCTION.....	19
CHILD LOCK.....	20
SAFETY LOCK.....	20
AUTOMATIC PROTECTION MECHANISM.....	20
AUTO COOK.....	20
CLEANING AND CARE.....	21
SUITABLE OVENWARE.....	22
MICROWAVE COOKING ADVICE.....	23
DEFROSTING ADVICE.....	25
REHEATING ADVICE.....	26
TROUBLESHOOTING.....	27
RADIO INTERFERENCE.....	28
BEFORE CALLING FOR ASSISTANCE.....	28

## IMPORTANT SAFETY INSTRUCTIONS

### READ CAREFULLY AND KEEP FOR FUTURE REFERENCE

**To avoid the danger of fire.**

**The microwave oven should not be left unattended during operation. Power levels that are too high, or cooking times that are too long, may overheat foods resulting in a fire.**

This oven is designed to be used on a countertop only. It is not designed to be built into a kitchen unit.

Do not place the oven in a cabinet.

The electrical outlet must be readily accessible so that the unit can be unplugged easily in an emergency.

The AC power supply must be 230-240 V, 50 Hz, with a minimum 10 A distribution line fuse, or a minimum 10 A distribution circuit breaker.

A separate circuit serving only this appliance should be provided.

Do not place the oven in areas where heat is generated.

For example, close to a conventional oven.

Do not install the oven in an area of high humidity or where moisture may collect.

Do not store or use the oven outdoors.

**If smoke is observed, switch off or unplug the oven and keep the door closed in order to stifle any flames.**

**Use only microwave-safe containers and utensils.**

---

**Utensils should be checked to ensure that they are suitable for use in microwave ovens.**

**When heating food in plastic or paper containers, keep an eye on the oven due to the possibility of ignition.**

**Clean the waveguide cover and the oven cavity. These must be dry and free from grease. Builtup grease may overheat and begin to smoke or catch fire.**

Do not place flammable materials near the oven or ventilation openings.

Do not block the ventilation openings.

Remove all metallic seals, wire twists, etc., from food and food packages. Arcing on metallic surfaces may cause a fire.

Do not use the microwave oven to heat oil for deep frying. The temperature cannot be controlled and the oil may catch fire.

To make popcorn, use only special microwave popcorn makers.

Do not store food or any other items inside the oven. Check the settings after you start the oven to ensure the oven is operating as desired.

Do not leave the oven unattended while it is operating. To avoid overheating and fire, special care must be taken when cooking or reheating foods with a high sugar or fat content, for example, Sausage rolls, Pies or Christmas pudding.

See the corresponding hints in the operation manual.

## To avoid the possibility of injury.

### **WARNING:**

Do not operate the oven if it is damaged or malfunctioning. Check the following before use:

- a) Make sure the door closes properly and ensure it is not misaligned or warped.
- b) Check to make sure the hinges and safety door latches are not broken or loose.
- c) Ensure that the door seals and sealing surfaces have not been damaged.
- d) Make sure inside the oven cavity or on the door are no dents.
- e) Ensure that the power supply cord and plug are not damaged.

If the door or door seals are damaged, the oven must not be operated until it has been repaired by a competent person.

**Never adjust, repair or modify the oven yourself. It is hazardous for anyone other than a competent person to carry out any service or repair operation which involves the removal of a cover which gives protection against exposure to microwave energy.**

Do not operate the oven with the door open or alter the door safety latches in any way. Do not operate the oven if there is an object between the door seals and sealing surfaces.

**Do not allow grease or dirt to build up on the door seals and adjacent parts. Clean the oven at regular intervals and remove any food deposits.**

---

**Follow the instructions for “Care and Cleaning”. Failure to maintain the oven in a clean condition could lead to a deterioration of the surface that could adversely affect the life of the appliance and possibly result in a hazardous situation.**

Individuals with PACEMAKERS should check with their doctor or the manufacturer of the pacemaker for precautions regarding microwave ovens.

**To avoid the possibility of electric shock.**

Under no circumstances should you remove the outer cabinet.

Never spill or insert any objects into the door lock openings or ventilation openings. In the event of a spill, turn off and unplug the oven immediately, and call an authorised SHARP service agent.

Do not immerse the power supply cord or plug in water or any other liquid.

Do not let the power supply cord hang over the edge of a table or work surface.

Keep the power supply cord away from heated surfaces, including the rear of the oven.

Keep the appliance and its cord out of reach of children less than 8 years.

Do not attempt to replace the oven lamp yourself or allow anyone who is not an electrician authorised by SHARP to do so. If the oven lamp fails, please consult your dealer or an authorised SHARP service agent.

If the power supply cord of this appliance is damaged, it must be replaced with a special cord.



The exchange must be made by an authorised SHARP service agent.

**To avoid the possibility of explosion and sudden boiling:**

**WARNING: Liquids and other foods must not be heated in sealed containers since they are liable to explode.**

**Microwave heating of beverages can result in delayed eruptive boiling, therefore care must be taken when handling the container.**

Never use sealed containers. Remove seals and lids before use. Sealed containers can explode due to a build up of pressure even after the oven has been turned off.

Take care when microwaving liquids. Use a wide mouthed container to allow bubbles to escape.

**Never heat liquids in narrow necked containers such as baby bottles, as this may result in the contents erupting from the container when heated and cause burns.**

To prevent sudden eruption of boiling liquid and possible scalding:

1. Do not use excessive amount of time.
2. Stir liquid prior to heating/reheating.
3. It is advisable to insert a glass rod or similar utensil (not metal) into the liquid whilst reheating.
4. Let liquid stand for at least 20 seconds in the oven at

---

the end of cooking time to prevent delayed eruptive boiling.

**Do not cook eggs in their shells, and whole hard boiled eggs should not be heated in microwave ovens since they may explode even after microwave cooking has ended. To cook or reheat eggs which have not been scrambled or mixed, pierce the yolks and the whites, or the eggs may explode. Shell and slice hard boiled eggs before reheating them in the microwave oven.**

Pierce the skin of such foods as potatoes, sausages and fruit before cooking, or they may explode.

**To avoid the possibility of burns.**

**WARNING: The contents of feeding bottles and baby food jars must be stirred or shaken and the temperature checked before consumption, in order to avoid burns.**

**Use pot holders or oven gloves when removing food from the oven to prevent burns.**

Always open containers, popcorn makers, oven cooking bags, etc., away from the face and hands to avoid steam burns and eruption of boiling.

To avoid burns, always test food temperature and stir before serving and pay special attention to the temperature of food and drink given to babies, children or the elderly. Accessible parts may become hot during use. Young children should be kept away. Temperature of the container is not a true indication of

the temperature of the food or drink; always check the food temperature.

Always stand back from the oven door when opening it to avoid burns from escaping steam and heat.

Slice stuffed baked foods after heating to release steam and avoid burns.

Keep children away from the door to prevent them burning themselves.

### **To avoid misuse by children.**

**WARNING: Only allow children aged from 8 years and above to use the oven without supervision when adequate instructions have been given so that the child is able to use the oven in a safe way and understands the hazards of improper use. When the appliance is operated in the GRILL, MIX GRILL and AUTO MENU operation, children should only use the oven under adult supervision due to the temperature generated.**

**This appliance is not intended for use by persons (including children) with reduced physical, sensory or mental capabilities, or lack of experience and knowledge, unless they have been given supervision or instruction concerning use of the appliance by a person responsible for their safety. Children should be supervised to ensure that they do not play with the appliance. Models with Electronic touch panel are enabled with a child lock mode.**

Do not lean or swing on the oven door. Do not play

---

with the oven or use it as a toy.

Children should be taught all important safety instructions: use of pot holders, careful removal of food coverings - paying special attention to packaging (e.g. self-heating materials) designed to make food crisp, as they may be extra hot.

### **Other warnings**

Never modify the oven in any way.

Do not move the oven while it is in operation.

This appliance is intended to be used in household.

This oven is for home food preparation only and may only be used for cooking food and beverages. Drying of food or clothing and heating of warming pads, slippers, sponges, damp cloth and similar may lead to risk of injury, ignition or fire. It is not suitable for commercial or laboratory use.

### **To promote trouble-free use of your oven and avoid damage.**

Never operate the oven when it is empty. When using a browning dish or self-heating material, always place a heat-resistant insulator such as a porcelain plate under it to prevent damage to the oven base due to heat stress. The preheating time specified in the dishes instructions must not be exceeded.

Do not use metal utensils, which reflect microwaves and may cause electrical arcing. Do not put cans in the oven.

To prevent the base of the oven breaking:

- a) Before cleaning the oven base with water, leave the flat-bed to cool.
- b) Do not put hot foods or hot utensils on a cold oven base.
- c) Do not put cold foods or cold utensils on a hot oven base.

Do not place anything on the outer cabinet during operation.

**NOTE:**

Do not use plastic containers for microwaving if the oven is still hot from using the GRILL and MIX GRILL operation because they may melt.

Plastic containers must not be used during above modes unless the container manufacturer says they are suitable.

If you are unsure how to connect your oven, please consult an authorised, qualified electrician.

Neither the manufacturer nor the dealer can accept any liability for damage to the oven or personal injury resulting from failure to observe the correct electrical connection procedure.

Water vapour or drops may occasionally form on the oven walls or around the door seals and sealing surfaces. This is a normal occurrence and is not an indication of microwave leakage or a malfunction.



This symbol means that the surfaces are liable to get hot during use.

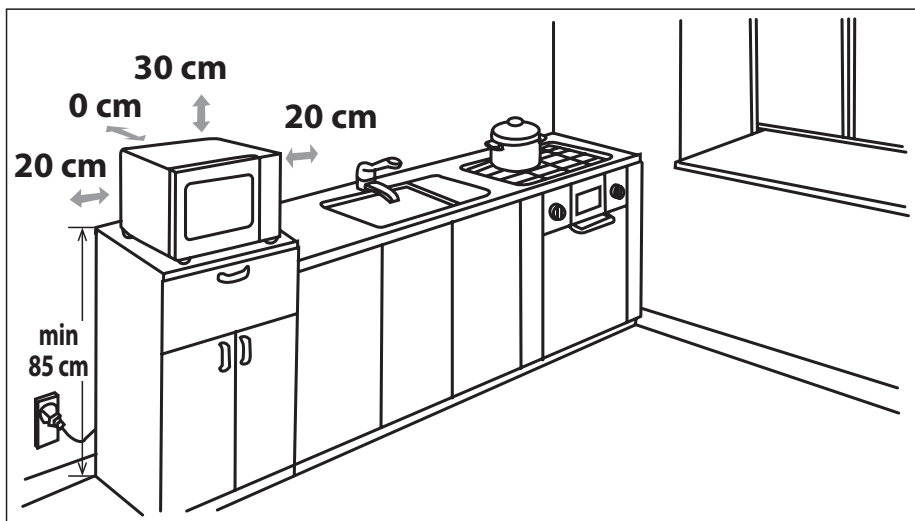
---

## INSTALLATION

1. Remove all packing materials from the inside of the oven cavity and remove any protective film found on the microwave oven cabinet surface.
2. Check the oven carefully for any signs of damage.
3. Place the oven on a secure, level surface, strong enough to take the oven weight, plus the heaviest item likely to be cooked in the oven. Do not place the oven in a cabinet.
4. Select a level surface that provide enough open space for the intake and/or outlet vents. See picture on the first page.

The rear surface of appliance can be placed against a wall.

- The minimum installation height is 85 cm.
- A minimum space of 20 cm is required between the sides of the microwave oven and any adjacent walls or objects.
- Leave a minimum space of 30 cm above the oven.
- Do not remove the feet from the bottom of the oven.
- Blocking the intake and/or outlet openings can damage the oven.
- Place the oven as far away from radios and TV as possible. Operation of microwave oven may cause interference to your radio or TV reception.



5. Securely connect the plug of the oven to a standard earthed (grounded) household electrical outlet.

**WARNING:** Do not place the oven where heat, moisture or high humidity are generated, (for example, near or above a conventional oven) or near combustible materials (for example, curtains).

Do not block or obstruct air vent openings.

Do not place objects on top of the oven.

Do not touch the exterior of the microwave oven during or shortly after operation as it will be hot.

# SPECIFICATIONS

Model name		YC-GC52FE
AC Line Voltage		230-240V/50 Hz single phase
Distribution line fuse/circuit breaker		10 A
AC Power required		1400 W
Output power:	Microwave	900 W
	Grill	1200 W
	Convection	2050 W
	Standby	< 1,0 W
	Energy Save Mode	< 0,5 W
Microwave Frequency		2450 MHz*
Outside Dimensions (W) x (H) x (D) mm		490 x 287 x 495
Cavity Dimensions (W) x (H) x (D)** mm		330 x 220 x 335
Oven Capacity		25 litres**
Grill Rack		ø 220 mm, H: 85 mm
Baking tray		ø 280 mm, H: 49 mm
Weight		approx. 18,6 kg
Oven Bulb (LED type)		1,5 W

\* - This Product fulfils the requirement of the European standard EN55011.

In conformity with this standard, this product is classified as group 2 class B equipment.

Group 2 means that the equipment intentionally generates radio-frequency energy in the form of electromagnetic radiation for the heat treatment of food.

Class B equipment means that the equipment is suitable to be used in domestic establishments.

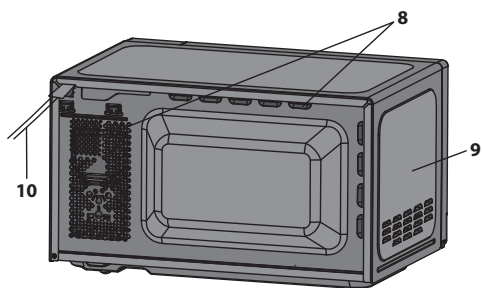
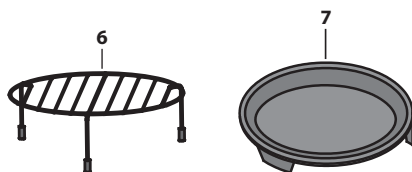
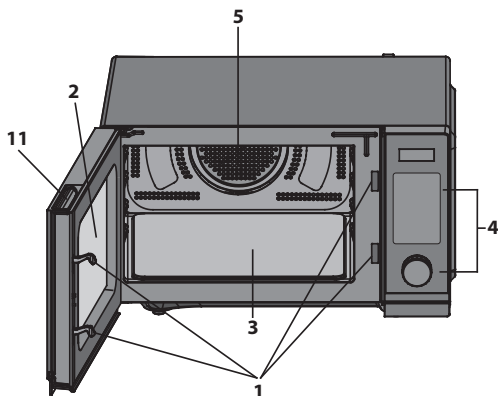
\*\* - Internal capacity is calculated by measuring maximum width, depth and height. Actual capacity for holding food is less.

AS PART OF A POLICY OF CONTINUOUS IMPROVEMENT, WE RESERVE THE RIGHT TO ALTER DESIGN AND SPECIFICATIONS WITHOUT NOTICE.



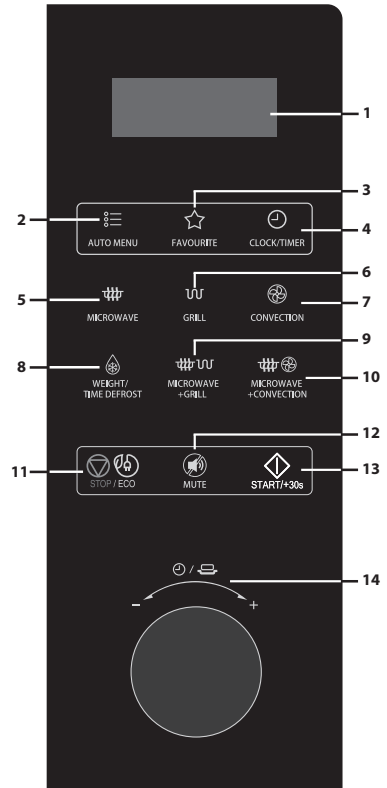
# OVEN AND ACCESSORIES

1. Door Safety Lock System
2. Oven Window
3. Cavity Base Plate
4. Control Panel
5. Grill Heater
6. Grill Rack
7. Baking Tray
8. Ventilation openings
9. Outer cabinet
10. Power supply cord
11. Opening handle



# CONTROL PANEL

1. **DISPLAY** - Cooking time, power, indicators and clock time are displayed.
2. **AUTO MENU** - Press to select auto cooking menu.
3. **FAVOURITE** - Use to store programs.
4. **CLOCK/TIMER** - Use to set clock time.  
Use to set timer function.
5. **MICROWAVE** - Press to select microwave power level.
6. **GRILL** - Press to set grill cooking program.
7. **CONVECTION** - Press to set convection cooking program.
8. **WEIGHT/TIME DEFROST** - Press once to defrost based on weight.  
Press twice to defrost based on time.
9. **MICROWAVE+GRILL** - Press to set microwave and grill combination cooking program.
10. **MICROWAVE+CONVECTION** - Press to set microwave and convection combination cooking program.
11. **STOP/ECO** - Press once to temporarily stop cooking, or twice to cancel cooking altogether.  
Use to set power saving mode.
12. **MUTE** - Press once to set mute function, press again to deactivate mute function.  
Press and hold (for 3 sec.) to activate CHILD LOCK function. press and hold again to deactivate it.
13. **START/+30s** - Press to start cooking and defrosting programs.  
Simply press it a number of times to set cooking time and cook immediately at full power level.
14. **TIME/WEIGHT (knob)** - Turn to set time, food weight or servings.



## BEFORE OPERATION

- When the oven first plugged in, a beep will sound and the display will show "1:01".
- While in the set up mode and no buttons are pressed for 30 seconds, the unit will enter the standby mode.
- During cooking, press **STOP/ECO** button once to pause the program, then press **START/+30s** button to resume. When the **STOP/ECO** button is pressed twice, the program will be cancelled.
- When the cooking cycle has been completed, the screen will display **End** and beep will sound every two minutes until the door is opened or a button is pressed.

## SETTING THE CLOCK

To set the clock, follow the instructions given below:

1. In standby mode, press and hold **CLOCK/TIMER** button for 3 seconds to select 12- hour clock, press the button again to select 24- hour clock.
2. Turn **TIME/WEIGHT** knob to set hour digit.
3. Press **START/+30s** once.
4. Turn **TIME/WEIGHT** knob to set minute digit.
5. Press **CLOCK/TIMER** button to confirm.

## EXPRESS COOKING

Use this feature to program the oven to start at 100% power conveniently. In standby mode, press **START/+30s** button repeatedly to set cooking time (each press to increase 30 seconds, and up to 10 minutes). The oven will auto-start immediately.

## MICROWAVE COOKING

1. In standby mode, press **MICROWAVE** button repeatedly select power level.
2. Turn **TIME/WEIGHT** knob to set cooking time. The longest time is 95 minutes.
3. Press **START/+30s** to confirm.

Press **MICROWAVE** button repeatedly to select power level.

Press MICROWAVE button	Power (Display)	Press MICROWAVE button	Power (Display)
Once	100% (P100)	7 times	40% (P-40)
Twice	90% (P-90)	8 times	30% (P-30)
3 times	80% (P-80)	9 times	20% (P-20)
4 times	70% (P-70)	10 times	10% (P-10)
5 times	60% (P-60)	11 times	0% (P-00)
6 times	50% (P-50)		

**NOTE:** During cooking, you can check the power by pressing **MICROWAVE** button.

## GRILL

Grill cooking is particularly useful for thin slices of meat, steaks, chops, kebabs, sausages and pieces of chicken. It is also suitable for hot sandwiches and au gratin dishes.

1. In standby mode, press **GRILL** button once.
2. Turn **TIME/WEIGHT** knob to set cooking time. The longest time is 95 minutes.
3. Press **START/+30s** button to start.

## MICROWAVE+GRILL

**Combination 1:** 30% time for microwave cooking, 70% for grill cooking. Use for fish or au gratin.

**Combination 2:** 55% time for microwave cooking, 45% for grill cooking. Use for puddings, omelettes, baked potatoes and poultry.

1. In standby mode, press **MICROWAVE+GRILL** button once or twice to select "Co-1" or "Co-2".
2. Turn **TIME/WEIGHT** knob to set cooking time. The longest time is 95 minutes.
3. Press **START/+30s** button to start.

**NOTE:** During cooking, you can check the combination mode by pressing the **MICROWAVE+GRILL** button.

## CONVECTION

During convection cooking, hot air is circulated throughout the oven cavity to brown and make crisp foods quickly and evenly. This oven can be programmed for thirteen different cooking temperatures (230°C, 220°C, 210°C, 200°C, 190°C, 180°C, 170°C, 160°C, 150°C, 140°C, 130°C, 120°C, 110°C).

**To preheat and cook using the convection function, follow the instructions given below:**

Your oven can be programmed to combine preheating and convection cooking operations.

1. In standby mode, press **CONVECTION** button repeatedly to select convection temperature.
2. Press **START/+30s** button to start. Beeps will sound when the designated temperature is reached.
3. Open the door and place container of food at the center of the flat-bed.
4. Turn **TIME/WEIGHT** knob to set cooking time. The longest time is 95 minutes.
5. Press **START/+30s** button to start.

**NOTE:** When the convection preheat temperature is reached, the oven will beep every two seconds, The preheat temperature will be maintained for 30 minutes.

## MICROWAVE+CONVECTION

The Microwave+Convection mode makes cooking easier and faster.

There are four pre-programmed settings for this function as described below:

230°C - this is suitable for meat which is thick and difficult to cook, such as chicken, whole, leg or wing.

200°C - can be used for meat which is thin and cooks faster, such as fish or steak.

170°C and 140°C - these modes are suitable for sliced meat and semi-finished food, for example bacon and sausage.

1. In standby mode, press **MICROWAVE+CONVECTION** button repeatedly select convection temperature (230°C, 200°C, 170°C, 140°C).
2. Turn **TIME/WEIGHT** knob to set cooking time. The longest time is 95 minutes.
3. Press **START/+30s** button to start.

**NOTE:** During cooking, you can check the convection temperature by pressing **MICROWAVE+CONVECTION** button.

## WEIGHT DEFROST

1. In standby mode, press **WEIGHT/TIME DEFROST** button once.
2. Turn **TIME/WEIGHT** knob to set food weight. The weight ranges from 100g to 2000g.
3. Press **START/+30s** button to confirm.

**NOTE:** During defrosting, the system will pause and sound to remind you to turn over the food. After that, press **START/+30s** button to resume.

**Weight defrost table**

<b>Weight [kg]</b>	0,1	0,2	0,3	0,4	0,5	0,6	0,7	0,8	0,9	1,0	1,1	1,2	1,3	1,4	1,5	1,6	1,7	1,8	1,9	2,0
<b>Time [min]</b>	3	5	7	9	11	13	15	17	19	21	23	25	27	29	31	33	35	37	39	41

## TIME DEFROST

1. In standby mode, press **WEIGHT/TIME DEFROST** button twice.
2. Turn **TIME/WEIGHT** knob to set defrosting time. The longest time is 95 minutes.
3. Press **START/+30s** button to confirm.

**NOTE:** When using the Time Defrost function, the microwave will cook at 40% power, then at 30% power at which point it will stop to allow the door to be opened and the food turned over. When cooking recommences when the **START/+30s** button is pressed, it will cook at 20% power.

## KITCHEN TIMER

1. Press **CLOCK/TIMER** button once.
2. Turn **TIME/WEIGHT** knob to set desired time. The longest time is 95 minutes.
3. Press **START/+30s** button to confirm.

To cancel the **TIMER** program press **STOP/ECO** button and the display shows the time.

## FAVOURITE FUNCTION

There are 3 favorites in this function, each of which can be set with 1 cooking sequences.

### To store:

1. In standby mode, press **FAVOURITE** button once, twice or 3 times.
2. Input the desired cooking program (Including multistage cooking).
3. Press **START/+30s** button to confirm.

### To start:

1. In standby mode, press **FAVOURITE** button once, twice or 3 times to select cooking program.
2. Press **START/+30s** button to start.

### To clear:

In standby mode, press **FAVOURITE** button once, twice or 3 times.

Press and hold **FAVOURITE** button for 3 seconds, the display will show "**CLR**" for 5 seconds and the oven will return to standby mode.

### NOTE:

- Only microwave, grill, convection, microwave and grill, microwave and convection can be stored.
- Favourite programming will be kept in the memory even when the power is disconnected.
- It is only possible to store 3 favourite programmes. If you wish to change, delete one.
- If the content of the favorites is empty, the favorite code will flash. If there is any content in the favorites, the favorite code will always be displayed.

## POWER SAVING FUNCTION

**To set:** In standby mode, press and hold **STOP/ECO** button for 3 seconds, the display will turn off. The oven will enter power saving mode.

**To cancel:** In the power saving mode, the function can be cancelled by pressing any button or opening and closing the oven door once.

## MUTE FUNCTION

To set mute function press **MUTE** button once, then display shows "**OFF**" for 3 seconds. While in the mute mode, there will be no sound when buttons are pressed.

To relieve mute function, press **MUTE** button once, then display shows "**On**" for 3 seconds.

## CHILD LOCK

1. To set the CHILD LOCK, press and hold the **MUTE** key for 3 seconds, a long beep will be heard and the display will indicate "**LOC**". The oven is now in the CHILD LOCK mode. While in this mode, the display will show the clock, if any key is pressed or the door is opened, "**LOC**" will be seen for ten seconds.
2. To cancel the CHILD LOCK, press and hold the **MUTE** key for 3 seconds until a long beep sound.

## SAFETY LOCK

Use to prevent unsupervised operation of the oven by children.

**To set:** In standby mode, if there is no operation within one minute, the oven will automatically enter Safety lock mode and the lock indicator light will turn on. In the lock state, all buttons are disabled. Press any button, lock indication appears on the display for 5 seconds to remind user to cancel the Safety lock.

To turn the safety lock off simply open the door to the microwave and the keypad will become active again and the lock indicator light will turn off.

## AUTOMATIC PROTECTION MECHANISM

**OVERHEATING PROTECTION** - When the oven senses a high temperature the display will indicate "**E01**" and stop operating. This can be canceled by pressing the **STOP/ECO** button.

**LOW TEMPERATURE PROTECTION** - When the oven enters the low temperature protection mode, the display will indicate "**E02**" and stop operating. This can be canceled by pressing the **STOP/ECO** button.

**SENSOR MALFUNCTION PROTECTION** - When the oven senses an issue with one of the sensors "**E03**" or "**E04**" will be displayed and the oven will stop operating. In addition the oven will emit a warning tone. This can be canceled by pressing the **STOP/ECO** button.

## AUTO COOK

For food or the following cooking mode, it is not necessary to program the cooking time and power. It is sufficient to indicate the type of food that you want to cook as well as the weight or the number of servings of this food.

1. In standby mode, press **AUTO MENU** button repeatedly to select menu code.
2. Turn **TIME/WEIGHT** knob to set food weight or servings.
3. Press **START/+30s** button to start.

### Auto cook menus:

Code	Food	Note
A-01	Beverage (200 ml/cup, 1 - 3 cups)	<b>1.</b> For items "A07" ~ "A09", "A-13", the oven will pause and sound to remind user to turn food over and then press <b>START/+30s</b> button to resume. <b>2.</b> When using the auto cook function, food may not be cooked as expected. This could be due to various reasons such as personal preference, size/shape of the food, the ambient temperature, mains voltage variations, if the food has been placed correctly on the base of the oven etc. Should the food not be cooked to your preference, adjust the time accordingly to correct for this.
A-02	Jacket Potatoes (230 ±10 g/servings, 1 - 2 servings)	
A-03	Vegetable (200 - 600 g)	
A-04	Auto Reheat (200 - 800 g)	
A-05	Soup (300 ml/bowl, 1 - 3 bowls)	
A-06	Rice (150 - 600 g)	
A-07	Roast Beef/Lamb (200 - 600 g)	
A-08	Grilled Fish Pieces (200 - 600 g)	
A-09	Grilled Bacon (100 g, 200 g, 300 g)	
A-10	Oven Chips (200 g)	
A-11	Pizza (150 g, 300 g, 450 g)	
A-12	Cake (475 g)	
A-13	Roast Chicken (800 - 1400 g)	

## CLEANING AND CARE

1. Turn off the oven and unplug the power cord from the wall when cleaning.
2. Keep the inside of the oven clean. When food splatters or spilled liquids adhere to oven walls, wipe with a damp cloth. Mild detergents may be used if the oven gets very dirty. Avoid using spray or other harsh cleaners. They may stain, streak or dull the door surface.
3. The outside of the oven should be cleaned with a damp cloth. To prevent damage to the operating parts inside the oven, water should not be allowed to seep into the ventilation openings.
4. Wipe the door and window on both sides, the door seals and adjacent parts frequently with a damp cloth to remove any spills or spatters. Do not use abrasive cleaner.
5. Do not steam clean.
6. Do not allow the control panel to become wet. Clean with a soft, damp cloth. When cleaning the control panel, leave oven door open to prevent oven from accidentally turning on.
7. If steam accumulates inside or around the outside of the oven door, wipe with a soft cloth. This may occur when the microwave oven is operated under high humidity condition. This is not a fault.
8. The oven floor should be cleaned regularly to avoid contamination and potential arcing/damage. Simply wipe the bottom surface of the oven with mild detergent.
9. Remove odors from your oven by combining a cup of water with the juice and skin of one lemon in a microwaveable bowl. Microwave for 5 minutes. Wipe thoroughly and dry with a soft cloth.
10. If the light bulb fails, please contact customer service for advice.
11. The oven should be cleaned regularly and any food deposits should be removed. Failure to maintain the oven in a clean condition could lead to deterioration of surface that could adversely affect the life of the unit and could possibly result in a hazardous situation.
12. Please do not dispose of this appliance into the domestic rubbish bin; it should be disposed to the particular disposal center provided by the municipalities.
13. When the microwave oven with grill function is first used, it may produce slight smoke and smell. This is a normal phenomenon, because the oven is made of a steel plate coated with lubricating oil, and the new oven will produce fumes and odor generated by burning the lubricating oil. This phenomenon will disappear after a period of use.

## SUITABLE OVENWARE

To cook/defrost food in a microwave oven, the microwave energy must be able to pass through the container to penetrate the food. Therefore it is important to choose suitable cookware.

Round/oval dishes are preferable to square/oblong ones, as the food in the corners tends to overcook. A variety of cookware can be used as listed below.

Cookware	Microwave Safe	Grill/ Convection	Comment
Aluminium foil Foil Containers	✓ / ✗	✓	Small pieces of aluminium foil can be used to shield food from overheating. Keep foil at least 2cm from the oven walls, as arcing may occur. Foil containers are not recommended unless specified by the manufacturer, e.g. Microfoil®, follow instructions carefully.
Browning dishes	✓ / ✗	✗	Always follow the manufacturers instructions. Do not exceed heating times given. Be very careful as these dishes become very hot.
China and ceramics	✓ / ✗	✗	Porcelain, pottery, glazed earthenware and bone china are usually suitable, except for those with metallic decoration.
Glassware e.g. Pyrex®	✓	✓	Care should be taken if using fine glassware as it can break or crack if heated suddenly.
Metal	✗	✓	It is not recommended to use metal cookware as it will arc, which can lead to fire.
Plastic/Polystyrene e.g fast food containers	✓	✗	Care must be taken as some containers warp, melt or discolour at high temperatures.
Cling film	✓	✗	It should not touch the food and must be pierced to let the steam escape.
Freezer/Roasting bags	✓	✗	Must be pierced to let steam escape. Ensure bags are suitable for microwave use.
Paper - Plates, cups and kitchen paper	✓	✗	Do not use plastic or metal ties, as they may melt or catch fire due to the metal 'arcing'.
Straw and wooden Containers	✓	✗	Only use for warming or to absorb moisture. Care must be taken as overheating may cause fire.
Recycled paper and newspaper	✗	✓	Always attend the oven when using these materials as overheating may cause fire. May contain extracts of metal which will cause 'arcing' and may lead to fire.




**WARNING: When heating food in plastic or paper containers, monitor the oven due to the possibility of ignition.**

**NOTE:** Do not leave your oven unattended while in use.




## MICROWAVE COOKING ADVICE

Microwaves cook food faster than conventional cooking. It is therefore essential that certain techniques are followed to ensure good results. Many of the following techniques are similar to those used in conventional cooking.

 **WARNING: Liquids and foods must not be heated in sealed containers or jars/containers with lids on, as pressure will build up inside and may cause the jar/container to explode.**

### COOKING ADVICE NOTES:

- Always attend the oven when in use.
- Ensure that the utensils are suitable for use in a microwave oven.
- Refer to the charts in the cookbook section for recommended cooking times and power levels.
- Do not place hot foods/utensils on a cold flat-bed or cold foods/utensils on a hot flat-bed.
- Only use microwave popcorn within the recommended packaging (follow the manufacturer's instructions). Never use oil unless specified by the manufacturer and never cook for longer than instructed.

 **WARNING: Follow instructions in the SHARP operation manual at all times. If you exceed recommended cooking times and use power levels that are too high, food may overheat, burn and, in extreme circumstances, catch fire and damage the oven.**

### Arrange

Place the thickest parts of food towards the outside of the dish. e.g. Chicken drumsticks.

Foods that are placed towards the outside of the dish will receive more energy, so cook quicker, than those in the centre.

### Cover

Certain foods benefit from being covered during microwave cooking.

Use vented microwave cling film or a suitable lid.

### Pierce

Foods with a shell, skin or membrane must be pierced in several places before cooking or reheating as steam will build up and may cause food to explode. e.g. Potatoes, Fish, Chicken, Sausages.

**NOTE:** Eggs should not be heated using microwave power as they may explode, even after cooking has ended. e.g. poached, fried, hard boiled.

### Stir, turn and rearrange

For even cooking it is essential to stir, turn and rearrange food during cooking. Always stir and rearrange from the outside towards the centre.

### Stand

Standing time is necessary after cooking so it enables the heat to disperse equally throughout the food.

<b>Food Characteristics</b>	
<b>Composition</b>	Foods high in fat or sugar (e.g. Christmas pudding, mince pies) require less heating time. Care should be taken as overheating can lead to fire. Bones in food conduct heat, making the food cook more quickly. Care must be taken so that the food is cooked evenly.
<b>Density</b>	Food density will affect the amount of cooking time needed. Light porous foods, such as cakes or bread, cook more quickly than heavy, dense foods, such as roasts and casseroles.
<b>Quantity</b>	The number of microwaves in your oven remains the same regardless of how much food is being cooked. The cooking time must be increased as the amount of food placed in the oven increases. e.g. Four potatoes will take longer to cook than two.
<b>Size</b>	Small foods and small pieces cook faster than large ones, as microwaves can penetrate from all sides to the centre. For even cooking make all the pieces the same size.
<b>Shape</b>	Foods which are irregular in shape, such as chicken breasts or drumsticks, take longer to cook in the thicker parts. For even cooking, place the thickest parts to the outside of the dish where they will receive more energy. Round shapes cook more evenly than square shapes when microwave cooking.
<b>Temperature of food</b>	The initial temperature of food affects the amount of cooking time needed. Chilled foods will take longer to cook than food at room temperature. The temperature of the container is not a true indication of the temperature of the food or drink. Cut into foods with fillings, for example jam doughnuts, to release heat or steam.



**WARNING: Face & Hands: Always use oven gloves to remove food or cookware from the oven. Stand back when opening the oven door to allow heat or steam to disperse. When removing covers (such as cling film), opening roasting bags or popcorn packaging, direct steam away from face and hands.**



**WARNING: Check the temperature of food and drink, stir before serving. Take special care when serving to babies, children or the elderly. The contents of feeding bottles and baby food jars are to be stirred or shaken and the temperature is to be checked before consumption to avoid burns.**

## DEFROSTING ADVICE

Using your microwave oven is the quickest defrosting method. It is a simple process but the following instructions are essential to ensure the food is thoroughly defrosted.

- Remove all packaging and wrapping before defrosting.
- To defrost food, use microwave power levels 30P or 10P.
- Please refer to the further information below.

### **Rearrange**

Foods that are placed towards the outside of the dish will defrost quicker than foods in the centre. It is therefore essential that the food is rearranged up to 4 times during defrosting.

Move closely packed pieces from the outside to the centre and rearrange over-lapping areas.

This will ensure that all parts of the food defrosts evenly.

### **Separate**

Foods may be stuck together when removed from the freezer. It is important to separate foods as soon as it is possible during defrosting.

e.g. bacon rashers, chicken fillets.

### **Shield**

Some areas of food being defrosted may become warm. To prevent them becoming warmer and starting to cook, these areas can be shielded with small pieces of foil, which reflect microwaves, e.g. legs and wings on a chicken.

### **Stand**

Standing time is necessary to ensure food is thoroughly defrosted.

Defrosting is not complete once the food is removed from the microwave oven. Food must stand, covered, for a length of time to ensure the centre has completely defrosted.

### **Turn over**

It is essential that all foods are turned over up to 4 times during defrosting.

This is important to ensure thorough defrosting.

# REHEATING ADVICE

For the reheating of foods, follow the advice and guidelines below to ensure food is thoroughly reheated before serving.

## Plated meals

Remove any poultry or meat portions, reheat these separately, see below.

Place smaller items of food to the centre of the plate, larger and thicker foods to the edge. Cover with vented microwave cling film and reheat on 50P, stir/rearrange halfway through reheating.

**NOTE:** Ensure the food is thoroughly reheated before serving.

## Sliced meat

Cover with vented microwave cling film and reheat on 50P. Rearrange at least once to ensure even reheating.

**NOTE:** Ensure the meat is thoroughly reheated before serving.

## Poultry portions

Place thickest parts of the portions to the outside of the dish, cover with vented microwave cling film and reheat on 70P.

Turn over halfway through reheating.

**NOTE:** Ensure the poultry is thoroughly reheated before serving.

## Casseroles

Cover with vented microwave cling film or a suitable lid and reheat on 50P.

Stir frequently to ensure even reheating.

**NOTE:** Ensure the food is thoroughly reheated before serving.

To achieve the best results when reheating, select a suitable microwave power level appropriate to the type of food. e.g. A bowl of vegetables can be reheated using 100P, while a lasagne which contains ingredients that cannot be stirred, should be reheated using 50P.

### NOTES:

- Remove food from foil or metal containers before reheating.
- Reheating times will be affected by the shape, depth, quantity and temperature of food together with the size, shape and material of the container.



**WARNING: Never heat liquids in narrow-necked containers, as this could result in the contents erupting from the container and may cause burns.**

- To avoid overheating and fire, special care must be taken when reheating foods with a high sugar or fat content, e.g. mince pies or Christmas pudding.
- Never heat oil or fat for deep frying as this may lead to overheating and fire.
- Canned potatoes should not be heated in the microwave oven, follow the manufacturer's instructions on the can.



**WARNING: The contents of feeding bottles and baby food jars are to be stirred or shaken and the temperature is to be checked before consumption to avoid burns.**

## TROUBLESHOOTING

If you think the oven is not working properly there are some simple checks you can carry out yourself before calling an engineer. This will help prevent unnecessary service calls if the fault is something simple.

Follow this simple check below:

Place half a cup of water on the flat-bed and close the door. Programme the oven to cook for 1 minute using 100P microwave power.

1. Does the oven lamp come on when it is cooking?
2. Does the cooling fan work? (Check by placing your hand above the air vent openings).
3. After 1 minute does the audible signal sound?
4. Is the water in the cup hot?  
Take the cup of water out of the oven and close the door. Programme the oven to cook for 3 minutes using the grill.
5. After 3 minutes, does the grill heating element become red?  
If you answer "NO" to any question first check that the oven is plugged in properly and the fuse has not blown. If there is no fault with either, check against the troubleshooting chart below.



**WARNING: Never adjust, repair or modify the oven yourself. It is hazardous for anyone other than a SHARP trained engineer to carry out servicing or repairs. This is important as it may involve the removal of covers that provide protection against microwave energy.**

- The door seal stops microwave leakage during oven operation, but does not form an airtight seal. It is normal to see drops of water, light or feel warm air around the oven door. Food with a high moisture content will release steam and cause condensation inside the door which may drip from the oven.
- Repairs and Modifications: Do not attempt to operate the oven if it is not working properly.
- Outer Cabinet & Lamp Access: Never remove the outer cabinet. This is very dangerous due to high voltage parts inside which must never be touched, as this could be fatal.  
Your oven is not fitted with a lamp access cover. If the lamp fails, do not attempt to replace the lamp yourself, call a SHARP approved service facility.

### TROUBLESHOOTING CHART

QUERY	ANSWER
Draught circulates around the door.	When the oven is working, air circulates within the cavity. The door does not form an airtight seal so air may escape from the door.
Condensation forms in the oven, and may drip from the door.	The oven cavity will normally be colder than the food being cooked, and so steam produced when cooking will condense on the colder surface. The amount of steam produced depends on the water content of the food being cooked. Some foods, such as potatoes have a high moisture content. Condensation trapped in the door glass should clear after a few hours.
Flashing or arcing from within the cavity when cooking.	Arcing will occur when a metallic object comes into close proximity to the oven cavity during cooking. This may possibly roughen the surface of the cavity, but would not otherwise damage the oven.
Arcing potatoes.	Ensure all "eyes" are removed from the potatoes and that they have been pierced, place directly onto the flat-bed or in a heat resistant flan dish or similar.
The display is lit but the control panel will not work when pressed.	Check the door is closed properly.
Oven cooks too slowly.	Ensure correct power level has been selected.
Oven makes a noise.	The microwave energy pulses ON and OFF during cooking/defrosting.
Outer cabinet is hot.	The cabinet may become warm to the touch - keep children away.

---

## RADIO INTERFERENCE

Operation of the microwave oven can cause interference to your radio, TV, or similar equipment. When there is interference, it may be reduced or eliminated by taking the following measures:

1. Clean door and sealing surface of the oven.
2. Reorient the receiving antenna of radio or television.
3. Relocate the microwave oven with respect to the receiver.
4. Move the microwave oven away from the receiver.
5. Plug the microwave oven into a different outlet so that microwave oven and receiver are on different circuits.

## BEFORE CALLING FOR ASSISTANCE

Before asking for service, please check each item below:

- Check to ensure the oven is plugged in securely. If not, remove the plug from the outlet, wait 10 seconds, and plug it in again securely.
- Check for a blown circuit fuse or a tripped main circuit breaker. If these seem to be operating properly, test the outlet with another appliance.
- Check to ensure the control panel is programmed correctly and the timer is set.
- Check to ensure the door is securely closed, engaging the door lock system. If the door is not properly closed, the microwave will not operate.

**IF NONE OF THE ABOVE RECTIFIES THE SITUATION, THEN CONTACT THE SHARP HELPLINE. DO NOT TRY TO ADJUST OR REPAIR THE OVEN YOURSELF.**



### **Achtung:**

Ihr Produkt ist mit diesem Symbol gekennzeichnet.

Dies bedeutet, dass Elektro-Altgeräte nicht mit dem allgemeinen Hausmüll vermisch werden dürfen.

Es gibt ein separates Sammelsystem für diese Produkte.

## **A. Entsorgungsinformationen (für private Haushalte)**

### **1. In der EU**

**Achtung:** Bitte entsorgen Sie das Gerät nicht über den Hausmüll! Elektro-Altgeräte müssen getrennt vom übrigen Abfall und gemäß den gültigen gesetzlichen Vorschriften zur Entsorgung und zum Recycling elektrischer und elektronischer Altgeräte behandelt werden. Gemäß der Umsetzung der Altgeräterichtlinie seitens der Mitgliedsstaaten können Privathaushalte in der Europäischen Union ihre elektrischen und elektronischen Altgeräte an dafür vorgesehenen Entsorgungsstellen kostenlos abgeben.

In einigen Ländern\* kann auch Ihr örtlicher Händler Ihr Altgerät kostenlos entgegennehmen, wenn Sie ein vergleichbares Neugerät kaufen.

\*) Kontaktieren Sie hierfür bitte Ihre örtlichen Behörden.

Wenn ihr Elektroaltgerät Batterien oder Akkus enthält, sollten Sie diese vorher getrennt entsorgen, gemäß den örtlichen Anforderungen. Wenn Sie dieses Produkt korrekt entsorgen, tragen Sie zu einer korrekten Schadstoffbehandlung und zu einem effizienten Recycling und im Endeffekt zum Umweltschutz und zur Verhinderung von eventuellen Gesundheitsrisiken bei.

### **2. In Nicht-EU-Ländern**

Bitte kontaktieren sie Ihre örtlichen Behörden für mehr Informationen über die korrekte Entsorgung Ihres Produkts.

Für die Schweiz: Gebrauchte elektrische und elektronische Geräte können beim Händler kostenlos abgegeben werden, auch wenn kein neues Produkt gekauft wird. Weitere Einrichtungen zur Entsorgung finden Sie auf der Homepage von [www.swico.ch](http://www.swico.ch) oder [www.sens.ch](http://www.sens.ch).

## **B. Entsorgungsinformationen für gewerbliche Nutzer**

### **1. In der EU**

Wenn das Produkt für gewerbliche Zwecke benutzt wurde und Sie es entsorgen möchten:

Kontaktieren Sie bitte Ihren SHARP-Händler, der Sie über die Zurücknahme des Produkts informieren wird. Es könnten Ihnen dabei Rücknahme- und Recyclingkosten in Rechnung gestellt werden. Kleine Produkte (und kleine Mengen) werden möglicherweise auch von ihrem örtlichen Recyclinghof entgegengenommen.

In Spanien: Kontaktieren Sie bitte ihr örtliches Entsorgungsunternehmen oder die örtlichen Behörden, um mehr über die Entsorgung Ihrer Altgeräte zu erfahren.

### **2. In Nicht-EU-Ländern**

Bitte kontaktieren sie Ihre örtlichen Behörden für mehr Informationen über die korrekte Entsorgung Ihres Produkts.

## VORSICHTSMASSNAHMEN ZUR VERMEIDUNG EINER MÖGLICHEN EXPOSITION GEGENÜBER MIKROWELLENERGIE

1. Betreiben Sie diesen Ofen nicht mit geöffneter Tür. Dies kann zu einer schädlichen Exposition gegenüber Mikrowellenenergie führen. Es ist wichtig, dass Sie die Sicherheitsverriegelungen nicht umgehen oder manipulieren.
2. Stecken Sie keine Gegenstände zwischen die Vorderseite des Ofens und die Tür und achten Sie darauf, dass sich kein Schmutz und keine Reinigungsmittelreste auf den Dichtflächen ansammeln.
3. Bedienen Sie den Ofen nicht, wenn dieser beschädigt ist. Es ist besonders wichtig, dass die Gerätetür richtig schließt und dass die Tür, Scharniere, Schlösser oder Türdichtungen und Dichtflächen unbeschädigt sind.
4. Sie sollten nicht versuchen, den Ofen zu reparieren oder zu verstellen.

## INHALTSVERZEICHNIS

WICHTIGE SICHERHEITSANWEISUNGEN .....	3
EINBAU .....	14
TECHNISCHE ANGABEN .....	16
GERÄT UND ZUBEHÖR .....	17
BEDIENFELD .....	18
VOR DER INBETRIEBNAHME.....	19
EINSTELLEN DER UHR .....	19
EXPRESS-GAREN .....	19
MIKROWELLEN-GAREN .....	19
GRILL .....	20
MIKROWELLE+GRILL .....	20
HEISSLUFT .....	20
MIKROWELLE+HEISSLUFT .....	20
GEWICHTSABHÄNGIGES AUFTAUEN .....	21
ZEITGESTEUERTES AUFTAUEN .....	21
KÜCHENTIMER.....	21
FUNKTION FAVOURITE (FAVORIT).....	21
ENERGIESPARFUNKTION.....	22
STUMM-FUNKTION.....	22
KINDERSICHERUNG:.....	22
SICHERHEITSVERRIEGELUNG.....	22
AUTOMATISCHER SCHUTZMECHANISMUS.....	22
AUTOGAREN .....	23
REINIGUNG UND WARTUNG .....	24
PASSENDEN OFENGESCHIRR.....	25
MIKROWELLENGARTIPPS.....	26
AUFTAU-TIPPS.....	28
AUFWÄRM-TIPPS.....	29
FEHLERBEHEBUNG.....	30
FUNKSTÖRUNG .....	31
EHE SIE UNTERSTÜTZUNG ANFORDERN.....	31



## WICHTIGE SICHERHEITSANWEISUNGEN

### **BITTE SORGFÄLTIG DURCHLESEN UND ZUM SPÄTEREN NACHSCHLAGEN AUFBEWAHREN**

#### **Zur Vermeidung von Bränden.**

**Mikrowellengeräte sollten während des Betriebs nicht unbeaufsichtigt gelassen werden. Zu hohe Leistungsstufen oder zu lange Garzeiten können das Gargut überhitzen und Feuer verursachen.**

Dieses Gerät ist nur für den Einsatz auf einer Arbeitsfläche vorgesehen. Es ist nicht für den Einbau in einem Küchenschrank konzipiert.

Gerät nicht in einen Schrank stellen.

Die Steckdose muss ständig zugänglich sein, sodass der Netzstecker im Notfall einfach abgezogen werden kann.

Die Netzspannung muss 230-240 V Wechselstrom, 50 Hz betragen und sollte mit einer Sicherung von mindestens 10 A oder einem Sicherungsautomaten von mindestens 10 A ausgestattet sein.

Ein getrennter, nur dem Betrieb dieses Geräts dienender Stromkreis sollte vorgesehen werden.

Stellen Sie das Gerät nicht an einem Ort auf, an dem Hitze generiert wird.

z. B. neben einen konventionellen Herd.

Das Gerät nicht an Orten aufstellen, an denen hohe Luftfeuchtigkeit vorhanden ist oder sich Kondenswasser bilden kann.

Das Gerät nicht im Freien aufbewahren oder aufstellen.

---

**Wird Rauch festgestellt, ist das Gerät sofort auszuschalten oder der Netzstecker abzuziehen und die Tür geschlossen zu halten, damit eventuelle Flammen erstickt werden.**

**Nur Mikrowellengeeignetes Geschirr verwenden. Geschirr sollte überprüft werden, ob es für Mikrowellengeräte geeignet ist.**

**Beim Erhitzen von Lebensmitteln in Plastik- oder Papierbehältern müssen Sie das Gerät überwachen, da sich diese entzünden könnten.**

**Reinigen Sie die Abdeckung des Hohlleiters und den Garraum.**

**Sie müssen trocken und frei von Fett sein.**

**Angesammeltes Fett könnte sich überhitzen, zu rauchen anfangen oder Feuer fangen.**

Keine brennbaren Materialien in der Nähe des Gerätes oder den Lüftungsöffnungen aufbewahren.

Niemals die Lüftungsöffnungen blockieren.

Alle Metallverschlüsse, Drähte usw. von Lebensmitteln und Verpackungen entfernen. Funkenbildung auf Metalloberflächen kann zu Feuer führen.

Das Mikrowellengerät nicht zum Frittieren von Lebensmitteln in Öl oder Fett verwenden. Die Temperatur kann nicht kontrolliert werden und das Fett kann sich entzünden.

Zum Herstellen von Popcorn sollte nur für Mikrowellengeräte vorgesehenes Popcorn-Geschirr verwendet werden.

Keine Lebensmittel oder andere Gegenstände im Gerät lagern.

Die Einstellungen nach dem Starten des Gerätes überprüfen, um sicherzustellen, dass das Gerät wie gewünscht arbeitet.

Lassen Sie den Ofen beim Betrieb nicht unbeaufsichtigt.

Zur Vermeidung von Überhitzung und Feuer sollte besonders vorsichtig vorgegangen werden, wenn Lebensmittel mit einem besonders hohen Zucker- oder Fettgehalt gegart oder aufgewärmt werden, wie z.B. Würstchen, Kuchen oder weihnachtliche Süßspeisen. Beachten Sie die entsprechenden Hinweise in dieser Bedienungsanleitung.

### **Zur Vermeidung von Verletzungen.**

#### **WARNUNG:**

Das Gerät nicht betreiben, wenn es beschädigt ist oder Fehlfunktionen aufweist. Überprüfen Sie vor dem Betrieb die folgenden Punkte:

- a) Vergewissern Sie sich, dass die Tür einwandfrei schließt und dass sie nicht falsch ausgerichtet oder verzogen ist.
- b) Vergewissern Sie sich, dass die Scharniere und Verriegelungen der Sicherheitstüren nicht beschädigt oder lose sind.
- c) Vergewissern Sie sich, dass die Türdichtungen und Dichtungsoberflächen nicht beschädigt sind.
- d) Vergewissern Sie sich, dass sich im Garraum und an der Tür keine Dellen oder andere Beschädigungen vorhanden sind.
- e) Vergewissern Sie sich, dass das Netzkabel und der

---

Stecker nicht beschädigt sind.

Falls die Tür bzw. die Türdichtungen beschädigt sind, darf das Gerät nicht weiter betrieben werden, bevor es durch eine kompetente Person repariert wurde.

**Sie dürfen den Ofen niemals selbst verstellen, reparieren oder verändern.**

**Reparaturen, insbesondere solche, bei denen eine Abdeckung des Geräts entfernt werden muss, die vor Mikrowellenenergie schützt, dürfen ausschließlich von entsprechend qualifizierten Technikern vorgenommen werden.**

Das Gerät nicht mit geöffneter Türe betreiben oder verändern Sie die Türsicherheitsverriegelung in keiner Weise. Gerät nicht betreiben, wenn sich ein Objekt zwischen den Türdichtungen und den Dichtungsoberflächen befindet.

**Vermeiden Sie die Bildung von Schmutz oder Fett an Türdichtungen und angrenzenden Teilen. Reinigen Sie das Gerät in regelmäßigen Abständen und entfernen Sie Lebensmittelrückstände. Befolgen Sie die Hinweise im Kapitel „Reinigung und Pflege“. Wird das Gerät nicht in einem sauberen Zustand gehalten, kann dies zu einer Beschädigung der Oberfläche führen, was die Gebrauchsdauer des Gerätes nachteilig beeinflussen und möglicherweise zu einer Gefahrensituation führen kann.**

Personen mit HERZSCHRITTMACHERN sollten ihren Arzt oder den Hersteller des Herzschrittmachers

nach Vorsichtsmaßnahmen beim Umgang mit Mikrowellengeräten befragen.

### **Zur Vermeidung von Elektroschocks.**

Unter keinen Umständen sollte das äußere Gehäuse entfernt werden.

Niemals Flüssigkeiten in die Öffnungen der Türsicherheitsverriegelung oder Lüftungsöffnungen eintreten lassen, ferner keine Gegenstände in diese Öffnungen stecken. Wenn größere Mengen Flüssigkeiten verschüttet werden, das Gerät sofort ausschalten, den Netzstecker ziehen und den SHARP-Kundendienst kontaktieren.

Niemals das Netzkabel bzw. den Netzstecker in Wasser oder andere Flüssigkeiten tauchen.

Das Netzkabel nicht über scharfe Kanten eines Tisches oder eine Arbeitsplatte führen.

Das Netzkabel von erwärmten Oberflächen, einschließlich der Geräterückseite, fernhalten.

Das Gerät und Kabel von Kindern unter 8 Jahren fernhalten.

Auf keinen Fall versuchen, die Garraumlampe selbst auszuwechseln, sondern nur von einem von SHARP autorisierten Elektriker auswechseln lassen! Wenn die Garraumlampe ausfallen sollte, wenden Sie sich bitte an Ihren Elektrohändler oder eine von SHARP autorisierte Kundendienststelle!

Bei beschädigtem Netzkabel muss dieses mit einem speziellen Kabel ersetzt werden.

Der Austausch darf nur durch einen qualifizierten

---

SHARP Servicepartner ausgeführt werden.

## **Zur Vermeidung von Explosionen und plötzlichem Sieden:**

**WARNUNG: Speisen in flüssiger und anderer Form dürfen nicht in verschlossenen Gefäßen erhitzt werden, da diese explodieren könnten.**

**Die Erhitzung von Getränken durch Mikrowellen kann verspätetes Aufwallen verursachen. Bei der Handhabung der Gefäße ist daher Vorsicht geboten.**

Niemals verschlossene Behälter verwenden.

Verschlüsse und Abdeckungen entfernen.

Verschlossene Behälter können durch den Druckanstieg selbst nach dem Ausschalten des Gerätes noch explodieren.

Beim Erhitzen von Flüssigkeiten vorsichtig sein.

Behälter mit großer Öffnung verwenden, damit entstehende Blasen entweichen können.

**Niemals Flüssigkeiten in schmalen, hohen Gefäßen (z. B. Saugflaschen) erhitzen, da der Inhalt herauspritzen kann und es zu Verbrennungen kommen könnte.**

Um Verbrennungen durch plötzliches Überkochen (Siedeverzug) zu vermeiden:

1. Stellen Sie keine extrem langen Garzeiten ein.
2. Die Flüssigkeiten vor dem Garen/Erhitzen umrühren.
3. Es wird empfohlen, während des Erhitzens einen Glasstab oder einen ähnlichen Gegenstand (kein

Metall) in den Behälter zu stellen.

4. Nach dem Erhitzen die Flüssigkeiten noch mindestens 20 Sekunden im Gerät stehen lassen, um verspätetes Aufwallen durch Siedeverzug zu verhindern.

**Eier nicht mit der Schale kochen. Hartgekochte Eier dürfen nicht in Mikrowellengeräten erwärmt werden, da sie selbst nach der Erwärmung explodieren können. Zum Garen oder Aufwärmen von Eiern, die nicht verquirlt oder verrührt wurden, das Eigelb und Eiweiß anstechen, damit es nicht explodiert. Vor dem Aufwärmen im Mikrowellengerät die Schale von gekochten Eiern entfernen und die Eier in Scheiben schneiden.**

Die Schale von Lebensmitteln, wie z. B. Kartoffeln, Würstchen oder Obst, vor dem Garen anstechen, damit der Dampf entweichen kann.

### **Zur Vermeidung von Verbrennungen.**

**Der Inhalt von Saugflaschen und Baby-Nahrungsbehältnissen muss vor dem Gebrauch geschüttelt bzw. gerührt und die Temperatur muss vor dem Verzehr geprüft werden, um Verbrennungen zu vermeiden.**

**Beim Entnehmen von Gargut aus dem Garraum sollten Topflappen oder Ofenhandschuhe verwendet werden.**

Behälter, Popcorneschirr, Kochbeutel, usw. immer vom Gesicht und den Händen abgewandt öffnen, um Verbrennungen durch Dampf und plötzliches Sieden

---

zu vermeiden.

Um Verbrennungen zu vermeiden, immer die Lebensmittelltemperatur prüfen und umrühren, bevor Sie das Gargut servieren. Besondere Vorsicht ist geboten, wenn die Lebensmittel oder Getränke für Babys, Kinder oder ältere Personen weitergereicht werden. Zugängliche Teile werden während des Betriebs heiß. Halten Sie Kinder deshalb fern.

Die Temperatur des Behälters ist kein Hinweis auf die tatsächliche Temperatur des Lebensmittels oder Getränks; immer die Temperatur prüfen.

Halten Sie beim Öffnen der Gerätetür ausreichenden Abstand, um Verbrennungen durch austretende Hitze oder Dampf zu vermeiden.

Schneiden Sie gefüllte und gebackene Speisen nach dem Garen in Scheiben, um den Dampf entweichen zu lassen und Verbrennungen zu vermeiden.

Kinder von der Tür fernhalten, um Verbrennungen zu vermeiden.

### **Zur Vermeidung von Fehlgebrauch durch Kinder.**

**WARNUNG: Erlauben Sie Kindern die Nutzung des Gerätes ohne Aufsicht nur, wenn ausreichende Anweisungen gegeben wurden, so dass das Kind in der Lage ist, das Gerät auf eine sichere Weise zu bedienen und die Gefahren eines unsachgemäßen Gebrauchs versteht. Wenn das Gerät in den Modi GRILL, MIX GRILL und AUTO-MENÜ betrieben wird, sollten Kinder das Gerät wegen der hohen Temperaturen nur unter Aufsicht von**



## **Erwachsenen betreiben.**

**Dieses Gerät ist nicht für die Verwendung durch Personen (einschließlich Kinder) mit eingeschränkten physischen, sensorischen oder geistigen Fähigkeiten, oder Mangel an Erfahrung und Wissen bestimmt, sofern sie keine angemessene Aufsicht oder ausführliche Anleitung zur Benutzung des Geräts durch eine verantwortliche Person für ihre Sicherheit erhalten haben. Kinder sollten beaufsichtigt werden, um sicherzustellen, dass sie nicht mit dem Gerät spielen. Modelle mit elektronischem Touchscreen haben einen Kindersicherungsmodus.**

Nicht an die Gerätetür lehnen oder hängen. Nicht mit dem Gerät spielen, oder es als Spielzeug verwenden.

Kinder sollten mit allen wichtigen

Sicherheitshinweisen vertraut gemacht werden, wie

z. B. Verwendung von Topflappen und vorsichtiges Abnehmen von Deckeln. Achten Sie besonders auf

Verpackungen,

die Lebensmittel knusprig halten (z. B.

selbstbräunende Materialien), da diese besonders heiß werden können.

## **Sonstige Warnungen**

Niemals das Gerät in irgendeiner Weise modifizieren.

Das Gerät während des Betriebs nicht bewegen.

Dieses Gerät ist für den Einsatz im Haushalt bestimmt.

Dieses Gerät ist nur für den Hausgebrauch vorgesehen und darf nur zum Garen von Lebensmitteln und das

---

Erwärmen von Getränken verwendet werden. Das Trocknen von Lebensmitteln oder Kleidung und das Erwärmen von Heizkissen, Pantoffeln, Schwämmen, feuchten Tüchern und dergleichen kann zu Verletzungs-, Entzündungs- oder Brandgefahr führen. Es eignet sich nicht für gewerbliche Zwecke oder den Gebrauch in einem Labor.

### **Zur Vermeidung von Fehlfunktionen und Beschädigungen dieses Gerätes.**

Das Gerät darf niemals im leeren Zustand betrieben werden. Bei der Verwendung von Bräunungsgeschirr oder selbsterwärmenden Materialien muss eine hitzebeständige Isolierung (z. B. ein Porzellanteller) zwischen Geschirr und Drehteller gestellt werden. Dadurch werden Beschädigungen des Ofenbodens durch Wärme vermieden. Die angegebene Aufheizzeit für das Geschirr darf nicht überschritten werden.

Keine Metall-Utensilien verwenden, die Mikrowellen reflektieren, da dies Funkenbildung zur Folge haben kann. Stellen Sie keine Konservendosen in das Gerät.

So verhindern Sie, dass der Ofenboden bricht:

- a) Lassen Sie die flache Ablage abkühlen, ehe Sie den Ofenboden mit Wasser reinigen
- b) Stellen Sie keine heißen Lebensmittel oder Utensilien auf den kalten Ofenboden.
- c) Stellen Sie keine kalten Lebensmittel oder Utensilien auf den heißen Ofenboden.

Stellen Sie während des Betriebs keine anderen Gegenstände auf das Gehäuse.

**HINWEIS:**

Benutzen Sie keine Kunststoffbehälter für die Mikrowelle, wenn der Ofen nach einer Verwendung der Modi GRILL und MIX GRILL noch heiß ist – sie könnten schmelzen.

Während der oben genannten Modi dürfen keine Plastikbehälter benutzt werden, außer der Hersteller dieser Behälter hat ihre Eignung bestätigt.

Sollten Sie sich beim Anschluss des Gerätes nicht sicher sein, so kontaktieren Sie bitte einen Fachmann. Weder der Hersteller noch der Händler übernimmt Haftung für Schäden an Ofen oder Verletzungen, die infolge von Nichtbeachtung des elektrischen Anschlusses entstehen.

An den Innenwänden oder den Dichtungen und Dichtungsoberflächen können Wasserdampf oder Tropfen entstehen. Dies ist ein normaler Vorgang und kein Zeichen für eine Fehlfunktion der Mikrowelle.



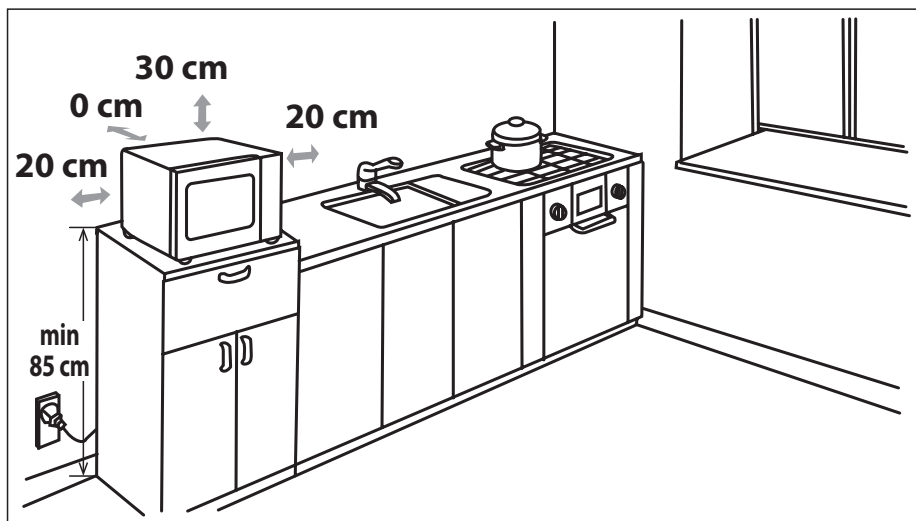
Dieses Symbol besagt, dass die Oberflächen während der Benutzung heiß werden können.

## EINBAU

1. Entfernen Sie jegliches Verpackungsmaterial von der Innenseite des Ofens und entfernen Sie die den Schutzfilm am Gehäuse der Mikrowelle.
2. Überprüfen Sie das Gerät auf eventuelle Beschädigungen.
3. Platzieren Sie das Gerät auf einer sicheren, ebenen Oberfläche, die stabil genug ist, um das Gewicht des Gerätes und der darin zubereiteten Lebensmittel zu tragen. Das Gerät nicht in einem Schrank aufstellen.
4. Wählen Sie eine ebene Fläche, die über genügend Freiraum für die Ein- und/oder Auslässe verfügt. Vergleichen Sie die Bilder auf der ersten Seite.

Die Rückseite des Gerätes kann an einer Wand platziert werden.

- Die minimale Installationshöhe sollte 85 cm betragen.
- Es muss ein Mindestabstand von 20 cm zwischen den Seiten des Mikrowellengeräts und allen angrenzenden Wänden eingehalten werden.
- Es ist ein Mindestabstand von 30 cm über dem Gerät einzuhalten.
- Nicht die Standfüße des Gerätes entfernen.
- Ein Blockieren der Ein- und/ oder Auslassöffnungen kann das Gerät beschädigen.
- Platzieren Sie das Gerät so weit als möglich von Radios und TV-Geräten entfernt. Der Mikrowellenbetrieb kann den Radio- oder TV-Empfang stören.



5. Den Netzstecker des Mikrowellengerätes mit einer normalen, geerdeten Steckdose verbinden.

**WARNUNG:** Das Gerät nicht an Orten, an denen Hitze, Feuchtigkeit oder hohe Luftfeuchtigkeit (z. B. in der Nähe oder über einem Backofen) auftreten können, oder in der Nähe brennbarer Materialien (z. B. Vorhänge) aufstellen.

Lüftungsöffnungen nicht blockieren oder versperren.

Nichts auf das Gerät stellen.

Berühren Sie die Außenseite des Mikrowellengeräts nicht beim Betrieb oder kurz danach, da sie heiß werden kann.

# TECHNISCHE ANGABEN

Modellname		YC-GC52FE
Wechselstromversorgung		230-240 V/50 Hz einphasig
Sicherung/Sicherungsautomat		10 A
Benötigt Wechselstrom		1400 W
Ausgangsleistung:	Mikrowelle	900 W
	Grill	1200 W
	Heißluft	2050 W
	Stand-by	1,0 W
	Energiespar-Modus	< 0,5 W
Mikrowellenfrequenz		2450 MHz*
Außenabmessungen (B) x (H) x (T) mm		490 x 287 x 495
Garraumabmessungen (B) x (H) x (T)** mm		330 x 220 x 335
Garraumkapazität		25 Liter**
Grillgestell		ø 220 mm, H: 85 mm
Garblech		ø 280 mm, H: 49 mm
Gewicht		ca. 18,6 kg
Backofen Glühbirne (LED-Typ)		1,5 W

\* - Dieses Produkt erfüllt die Anforderungen der europäischen Norm EN55011.

Gemäß dieser Norm ist dieses Gerät als Gerät der Gruppe 2 Klasse B eingestuft.

Gruppe 2 bedeutet, dass das Gerät zweckbestimmt hochfrequente Radioenergie in Form elektromagnetischer Strahlen zur Wärmebehandlung von Lebensmitteln erzeugt.

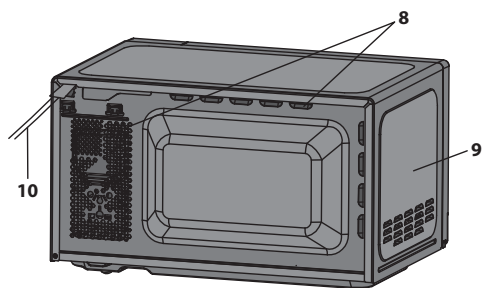
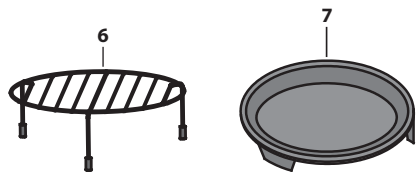
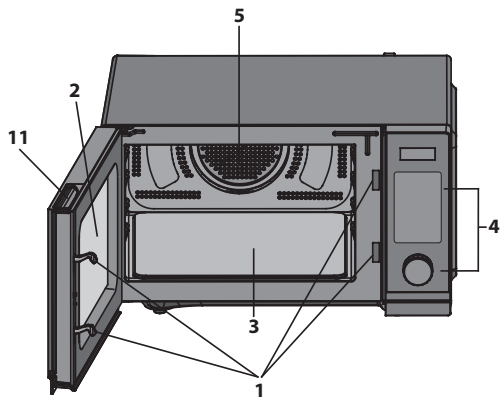
Klasse B bedeutet, das Gerät für den Einsatz im Haushalt geeignet ist.

\*\* - Die interne Kapazität wird durch die Messung der maximalen Breite, Tiefe und Höhe berechnet. Die tatsächliche Kapazität zur Aufnahme von Lebensmitteln ist geringer.

IM RAHMEN EINES BESTREBENS NACH STÄNDIGER VERBESSERUNG BEHALTEN WIR UNS DAS RECHT VOR, JEDERZEIT UND OHNE ANGABE VON GRÜNDEN, TECHNISCHE DATEN ODER DAS DESIGN ZU VERÄNDERN.

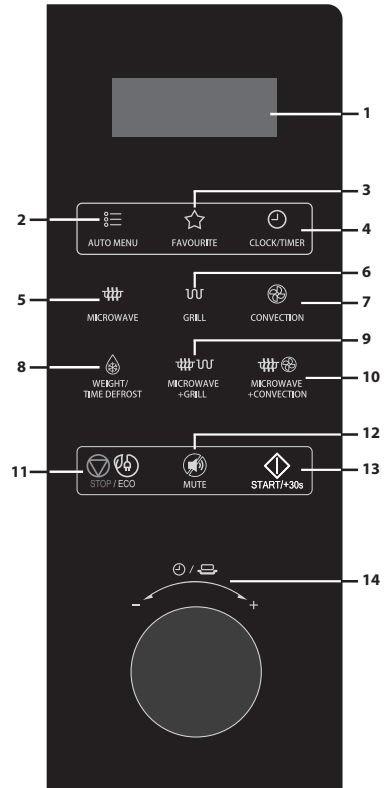
# GERÄT UND ZUBEHÖR

1. Türverriegelungssystem
2. Gerätefenster
3. Garraum-Basisplatte
4. Bedienfeld
5. Grill-Heizgerät
6. Grillgestell
7. Garblech
8. Lüftungsöffnungen
9. Außenseite
10. Netzkabel
11. Öffnungsgriff



# BEDIENFELD

1. **DISPLAY (ANZEIGE)** – Es werden Kochzeit, Leistung, Anzeigen und Uhrzeit angezeigt.
2. **AUTO MENU** – Drücken, um das Auto-Garmenü zu wählen.
3. **FAVOURITE (FAVORIT)** – Damit speichern Sie Programme.
4. **CLOCK/TIMER (UHR/TIMER)** – Damit stellen Sie die Uhrzeit ein. Damit stellen Sie die Timer-Funktion ein.
5. **MICROWAVE (MIKROWELLE)** – Drücken, um die Leistungsstufe der Mikrowelle auszuwählen
6. **GRILL (GRILL)** – Drücken, um das Grill-Garprogramm einzustellen.
7. **CONVECTION (HEISSLUFT)** – Drücken, um das Heißluft-Garprogramm einzustellen.
8. **WEIGHT/TIME DEFROST (AUFTAUEN NACH GEWICHT/ZEIT)** – Einmal drücken, um nach dem Gewicht aufzutauen. Zweimal drücken, um nach Zeit aufzutauen.
9. **MICROWAVE+GRILL (MIKROWELLE+GRILL)** – Drücken, um das kombinierte Mikrowellen- und Grill-Garprogramm einzustellen.
10. **MICROWAVE+CONVECTION (MIKROWELLE/HEISSLUFT)** – Drücken, um das kombinierte Mikrowellen- und Heißluft-Garprogramm einzustellen.
11. **STOP/ECO (STOPP/ÖKO)** – Einmal drücken, um das Garen vorübergehend zu unterbrechen, oder zweimal drücken, um das Garen ganz abzubrechen. Mit dieser Taste können Sie den Energiesparmodus einstellen.
12. **MUTE (STUMM)** – Einmal drücken, um die Stummschaltfunktion einzustellen. Erneut drücken, um die Stummschaltfunktion zu deaktivieren. Gedrückt halten (3 Sekunden lang), um die KINDERSICHERUNG-Funktion zu aktivieren. Erneut gedrückt halten, um sie zu deaktivieren.
13. **START/+30s (START/+30 Sek.)** – Drücken, um Gar- und Auftauprogramme zu starten. Einfach mehrmals drücken, um die Garzeit einzustellen und direkt mit voller Leistung zu garen.
14. **TIME/WEIGHT (ZEIT/GEWICHT) (Drehknopf)** – Drehen, um Zeit, Gewicht oder Portionen einzustellen.





## VOR DER INBETRIEBNAHME

- Wenn der Ofen zum ersten Mal eingesteckt wird, ertönt ein Signalton und „1:01“ erscheint auf der Anzeige.
- Wird im Einrichtungsmodus 30 Sekunden lang keine Taste gedrückt, geht das Gerät in den Bereitschaftsmodus über.
- Drücken Sie während des Garens einmal die Taste **STOP/ECO (STOPP/ÖKO)**, um das Programm zu pausieren – drücken Sie anschließend die Taste **START/+30s (START/+30 Sek.)**, um den Betrieb wiederaufzunehmen. Wenn die Taste **STOP/ECO (STOPP/ÖKO)** zweimal gedrückt wird, wird das Programm abgebrochen.
- Wenn der Garzyklus abgeschlossen ist, wird auf dem Bildschirm „End“ (**Ende**) angezeigt und es ertönt alle zwei Minuten ein Signalton, bis die Tür geöffnet oder eine Taste gedrückt wird.

## EINSTELLEN DER UHR

Zum Einstellen der Uhr befolgen Sie die nachstehenden Anweisungen:

1. Halten Sie im Stand-by-Modus die Taste **CLOCK/TIMER (UHR/TIMER)** 3 Sekunden lang gedrückt, um die 12-Stunden-Uhr einzustellen – drücken Sie die Taste erneut, um die 24-Stunden-Uhr einzustellen.
2. Drehen Sie den Drehknopf **TIME/WEIGHT (ZEIT/GEWICHT)**, um die Stundenziffer einzustellen.
3. Drücken Sie einmal **START/+30s (START/+30 Sek.)**.
4. Drehen Sie den Drehknopf **TIME/WEIGHT (ZEIT/GEWICHT)**, um die Minutenziffer einzustellen.
5. Drücken Sie zur Bestätigung die Taste **CLOCK/TIMER (UHR/TIMER)**.

## EXPRESS-GAREN

Nutzen Sie diese Funktion, um das Gerät so zu programmieren, dass es bequem mit 100 % Leistung startet. Drücken Sie im Stand-by-Modus wiederholt die Taste **START/+30s (START/+30 Sek.)**, um die Garzeit einzustellen (jedes Drücken erhöht die Dauer um 30 Sekunden, bis zu 10 Minuten). Das Gerät wird sich automatisch einschalten.

## MIKROWELLEN-GAREN

1. Drücken Sie im Stand-by-Modus wiederholt die Taste **MICROWAVE (MIKROWELLE)**, um die Leistungsstufe einzustellen.
  2. Drehen Sie den Drehknopf **TIME/WEIGHT (ZEIT/GEWICHT)**, um die Garzeit einzustellen. Die längste Garzeit beträgt 95 Minuten.
  3. Drücken Sie zum Bestätigen die Taste **START/30s (START/+30 Sek.)**.
- Drücken Sie wiederholt die Taste **MICROWAVE (MIKROWELLE)**, um die Leistungsstufe einzustellen.

Drücken Sie die Taste MICROWAVE (MIKROWELLE)	Leistung (Anzeige)	Drücken Sie die Taste MICROWAVE (MIKROWELLE)	Leistung (Anzeige)
Einmal	100 % (P100)	7 Mal	40 % (P-40)
2 Mal	90 % (P-90)	8 Mal	30 % (P-30)
3 Mal	80 % (P-80)	9 Mal	20 % (P-20)
4 Mal	70 % (P-70)	10 Mal	10 % (P-10)
fünfmal	60 % (P-60)	11 Mal	0 % (P-00)
6 Mal	50 % (P-50)		

**HINWEIS:** Während des Garens können Sie die Leistung überprüfen, indem Sie die Taste **MICROWAVE (MIKROWELLE)** drücken.

## GRILL

Das Grill-Garen eignet sich besonders für dünne Fleischscheiben, Steaks, Koteletts, Kebabs, Würstchen und Hühnerstücke. Es eignet sich auch für heiße Sandwiches und Gratin-Gerichte.

1. Drücken Sie im Stand-by-Modus einmal die Taste **GRILL (GRILLEN)**.
2. Drehen Sie den Drehknopf **TIME/WEIGHT (ZEIT/GEWICHT)**, um die Garzeit einzustellen. Die längste Garzeit beträgt 95 Minuten.
3. Drücken Sie zum Starten die Taste **START/30s (START/+30 Sek.)**.

## MIKROWELLE+GRILL

**Kombination 1:** 30 % Zeit für Mikrowellen-Garen, 70 % für Grill-Garen. Für Fisch und Gratin.

**Kombination 2:** 55 % Zeit für Mikrowellen-Garen, 45 % für Garen mit Grill. Für Puddings, Omeletts, Ofenkartoffeln und Geflügel.

1. Drücken Sie im Stand-by-Modus einmal oder zweimal die Taste **MIKROWAVE+GRILL (MIKROWELLE+GRILL)**, um „Co-1“ (Kombination 1) oder „Co-2“ (Kombination 2) auszuwählen.
2. Drehen Sie den Drehknopf **TIME/WEIGHT (ZEIT/GEWICHT)**, um die Garzeit einzustellen. Die längste Garzeit beträgt 95 Minuten.
3. Drücken Sie zum Starten die Taste **START/30s (START/+30 Sek.)**.

**HINWEIS:** Während des Garens können Sie den Kombinationsmodus überprüfen, indem Sie die Taste **MIKROWAVE+GRILL (MIKROWELLE+GRILL)** drücken.

## HEISSLUFT

Beim Heißluftgaren zirkuliert heiße Luft im ganzen Garraum, um Gerichte schnell und gleichmäßig zu braunen und ein knackiges Ergebnis zu liefern. Dieses Gerät kann für dreizehn verschiedene Gartemperaturen programmiert werden (230 °C, 220 °C, 210 °C, 200 °C, 190 °C, 180 °C, 170 °C, 160 °C, 150 °C, 140 °C, 130 °C, 120 °C, 110 °C).

**Zum Vorheizen und Garen mit der Heißluftfunktion befolgen Sie die nachstehenden Anweisungen:**

Ihr Ofen kann programmiert werden, damit er Vorheiz- und Heißluftgarvorgänge kombiniert.

1. Drücken Sie im Stand-by-Modus wiederholt die Taste **CONVECTION (HEISSLUFT)**, um die Heißluft-Temperatur einzustellen.
2. Drücken Sie zum Starten die Taste **START/30s (START/+30 Sek.)**. Es ertönen Signaltöne, wenn die gewünschte Temperatur erreicht ist.
3. Öffnen Sie die Tür und stellen Sie in die Mitte des Flachbetts einen Behälter mit Lebensmitteln.
4. Drehen Sie den Drehknopf **TIME/WEIGHT (ZEIT/GEWICHT)**, um die Garzeit einzustellen. Die längste Garzeit beträgt 95 Minuten.
5. Drücken Sie zum Starten die Taste **START/30s (START/+30 Sek.)**.

**HINWEIS:** Wenn die Heißluft-Vorheiztemperatur erreicht ist, piept der Ofen alle zwei Sekunden. Die Vorheiztemperatur wird 30 Minuten lang beibehalten.

## MIKROWELLE+HEISSLUFT

Der Modus „Microwave+Convection“ (Mikrowelle+HEISSLUFT) erleichtert und beschleunigt das Garen.

Für diese Funktion gibt es vier vorprogrammierte Einstellungen, die im Folgenden beschrieben werden:

230 °C – geeignet für dickes und schwer zu garendes Fleisch, wie z. B. Huhn, große Fleischstücke, Keule oder Flügel.

200 °C – geeignet für Fleisch, das dünn ist und schneller gegart werden kann, wie z. B. Fisch oder Steak.

170 °C und 140 °C – diese Modi sind für geschnittenes Fleisch und halbfertige Lebensmittel geeignet, z. B. für Speck und Wurst.

1. Drücken Sie im Stand-by-Modus wiederholt die Taste **MIKROWAVE+CONVECTION (MIKROWELLE UND HEISSLUFT)**, um die Heißluft-Temperatur auszuwählen (230 °C, 200 °C, 170 °C, 140 °C).
2. Drehen Sie den Drehknopf **TIME/WEIGHT (ZEIT/GEWICHT)**, um die Garzeit einzustellen. Die längste Garzeit beträgt 95 Minuten.
3. Drücken Sie zum Starten die Taste **START/30s (START/+30 Sek.)**.

**HINWEIS:** Während des Garens können Sie die Heißluft-Temperatur überprüfen, indem Sie die Taste **MICROWAVE+CONVECTION (MIKROWELLE+HEISSLUFT)** drücken.

## GEWICHTSABHÄNGIGES AUFTAUEN

1. Drücken Sie im Stand-by-Modus einmal die Taste **WEIGHT/TIME DEFROST (AUFTAUEN NACH GEWICHT/ZEIT)**.
2. Drehen Sie den Drehknopf **TIME/WEIGHT (ZEIT/GEWICHT)**, um das Lebensmittelgewicht einzustellen. Das Gewicht liegt zwischen 100 g und 2000 g.
3. Drücken Sie zum Bestätigen die Taste **START/30s (START/+30 Sek.)**.

**HINWEIS:** Während des Auftauens geht das System zu einer Pause über und erinnert Sie akustisch daran, die Lebensmittel umzudrehen. Drücken Sie danach die Taste **START/30s (START/+30 Sek.)**, um das Auftauen fortzusetzen.

### Auftautabelle nach Gewicht

<b>Gewicht [kg]</b>	0,1	0,2	0,3	0,4	0,5	0,6	0,7	0,8	0,9	1,0	1,1	1,2	1,3	1,4	1,5	1,6	1,7	1,8	1,9	2,0
<b>Zeit [Min.]</b>	3	5	7	9	11	13	15	17	19	21	23	25	27	29	31	33	35	37	39	41

## ZEITGESTEUERTES AUFTAUEN

1. Drücken Sie im Stand-by-Modus zweimal die Taste **WEIGHT/TIME DEFROST (AUFTAUEN NACH GEWICHT/ZEIT)**.
2. Drehen Sie den Drehknopf **TIME/WEIGHT (ZEIT/GEWICHT)**, um die Auftauzeit einzustellen. Die längste Auftauzeit beträgt 95 Minuten.
3. Drücken Sie zum Bestätigen die Taste **START/30s (START/+30 Sek.)**.

**HINWEIS:** Wenn Sie die Funktion für ein Auftauen nach Zeit verwenden, läuft die Mikrowelle mit einer Leistung von 40 % und anschließend mit einer Leistung von 30 %. Danach schaltet sich die Mikrowelle ab, damit Sie die Tür öffnen und die Lebensmittel umdrehen können. Wenn das Garen nach einem Drücken der Taste **START/30s (START/+30 Sek.)** wiederaufgenommen wird, läuft sie mit einer Leistung von 20 %.

## KÜCHENTIMER

1. Drücken Sie einmal auf die Taste **CLOCK/TIMER (UHR/TIMER)**.
2. Drehen Sie den Drehknopf **TIME/WEIGHT (ZEIT/GEWICHT)**, um die gewünschte Zeit einzustellen. Die längste Dauer beträgt 95 Minuten.
3. Drücken Sie zum Bestätigen die Taste **START/30s (START/+30 Sek.)**.

Um das TIMER-Programm abzubrechen, drücken Sie die Taste **STOP/ECO (STOPP/ÖKO)** und die Anzeige zeigt die Zeit an.

## FUNKTION FAVOURITE (FAVORIT)

Bei dieser Funktion gibt es 3 Favoriten, von denen jeder mit 1 Garsequenz eingestellt werden kann.

### Zum Speichern:

1. Drücken Sie im Stand-by-Modus einmal, zweimal oder 3 Mal die Taste **FAVOURITE (FAVORIT)**.
2. Geben Sie das gewünschte Garprogramm ein (auch mehrstufiges Garen).
3. Drücken Sie zum Bestätigen die Taste **START/30s (START/+30 Sek.)**.

### Zum Starten:

1. Drücken Sie im Stand-by-Modus einmal, zweimal oder 3 Mal die Taste **FAVOURITE (FAVORIT)**, um das Garprogramm auszuwählen.
2. Drücken Sie zum Starten die Taste **START/30s (START/+30 Sek.)**.

### Zum Löschen:

Drücken Sie im Stand-by-Modus einmal, zweimal oder 3 Mal die Taste **FAVOURITE (FAVORIT)**.

Halten Sie die Taste **FAVOURITE (FAVORIT)** 3 Sekunden lang gedrückt, dann zeigt die Anzeige 5 Sekunden lang „CLr“ (**Löschen**) an und das Gerät kehrt in den Stand-by-Modus zurück.

#### HINWEIS:

- Es lassen sich nur Mikrowelle, Grill, Heißluft, Mikrowelle und Grill, Mikrowelle und Heißluft speichern.
- Das Programmieren der Favoriten bleibt im Speicher, selbst wenn die Stromzufuhr unterbrochen wird.
- Es können nur 3 Favoriten-Programme gespeichert werden. Wenn Sie eines davon ändern möchten, löschen Sie es.
- Wenn der Inhalt der Favoriten leer ist, blinkt der Favoritencode. Wenn Inhalt in den Favoriten vorhanden ist, wird der Favoritencode immer angezeigt.

## ENERGIESPARFUNKTION

**ZUR EINSTELLUNG:** Halten Sie im Stand-by-Modus 3 Sekunden lang die Taste **STOP/ECO (STOPP/ÖKO)** gedrückt und die Anzeige schaltet sich ab. Das Gerät geht in den Energiesparmodus über.

**Zum Abbrechen:** Im Energiesparmodus kann die Funktion durch Drücken einer beliebigen Taste oder durch einmaliges Öffnen und Schließen der Gerätetür abgebrochen werden.

## STUMM-FUNKTION

Um die Stumm-Funktion einzustellen, drücken Sie einmal die Taste **MUTE (STUMM)**, dann zeigt die Anzeige 3 Sekunden lang „**OFF**“ (**AUS**) an.

Im Stumm-Modus ertönt kein Geräusch, wenn Tasten gedrückt werden.

Um die Stumm-Funktion auszuschalten, drücken Sie einmal die Taste **MUTE (STUMM)**, dann zeigt die Anzeige 3 Sekunden lang „**ON**“ (**EIN**) an.

## KINDERSICHERUNG:

1. Um die KINDERSICHERUNG einzustellen, halten Sie die Taste **MUTE (STUMM)** 3 Sekunden lang gedrückt – es ertönt ein langer Piepton und auf der Anzeige erscheint „**LOC**“ (**GESPERRT**). Das Gerät befindet sich jetzt im „CHILD LOCK“-Modus (Kindersicherung). Das Display zeigt in diesem Modus die Uhr an – wenn eine Taste gedrückt oder die Tür geöffnet wird, wird zehn Sekunden lang „**LOC**“ (**GESPERRT**) angezeigt.
2. Um die KINDERSICHERUNG abzuschalten, halten Sie die Taste **MUTE (STUMM)** 3 Sekunden lang gedrückt, bis ein langer Signalton erklingt.

## SICHERHEITSVERRIEGELUNG

Verhindern Sie den unbeaufsichtigten Betrieb des Gerätes durch Kinder.

**Zur Einstellung:** Wenn im Stand-by-Modus innerhalb einer Minute keine Bedienung erfolgt, wechselt das Gerät automatisch in den Modus der Sicherheitsverriegelung und die Anzeigeleuchte der Verriegelung leuchtet auf. Im Verriegelungszustand sind alle Tasten deaktiviert. Wenn Sie eine beliebige Taste drücken, erscheint auf der Anzeige 5 Sekunden lang die Verriegelungsanzeige. Dies erinnert den Benutzer daran, die Verriegelungssperre aufzuheben. Um die Sicherheitsverriegelung zu deaktivieren, öffnen Sie einfach die Tür der Mikrowelle. Dann wird die Tastatur wieder aktiviert und die Anzeigeleuchte der Verriegelung schaltet sich ab.

## AUTOMATISCHER SCHUTZMECHANISMUS

**ÜBERHITZUNGSSCHUTZ** – wenn das Gerät eine hohe Temperatur feststellt, wird auf der Anzeige „**E01**“ angezeigt und das Gerät stellt den Betrieb ein. Dieser Vorgang kann abgebrochen werden, indem Sie die Taste **STOP/ECO (STOPP/ÖKO)** drücken.

**SCHUTZ BEI NIEDRIGER TEMPERATUR** – wenn das Gerät in den Schutzmodus bei niedriger Temperatur übergeht, wird auf der Anzeige „**E02**“ angezeigt und das Gerät stellt den Betrieb ein. Dieser Vorgang kann abgebrochen werden, indem Sie die Taste **STOP/ECO (STOPP/ÖKO)** drücken.

**SCHUTZ VOR SENSOR-FEHLFUNKTION** – wenn das Gerät bei einem der Sensoren ein Problem feststellt, wird „**E03**“

oder „E04“ angezeigt und das Gerät stellt den Betrieb ein. Außerdem gibt das Gerät einen Warnton ab. Dieser Vorgang kann abgebrochen werden, indem Sie die Taste **STOP/ECO (STOPP/ÖKO)** drücken.

## AUTOGAREN

Für Lebensmittel oder den folgenden Garbetrieb muss die Garzeit und Leistung nicht programmiert werden. Sie müssen nur die Art des Lebensmittels, das Sie garen möchten, sowie das Gewicht oder die Anzahl der Portionen dieses Lebensmittels angeben.

1. Drücken Sie im Stand-by-Modus wiederholt die Taste **AUTO MENU (AUTO-MENÜ)**, um den Menücode auszuwählen.
2. Drehen Sie den Drehknopf **TIME/WEIGHT (ZEIT/GEWICHT)**, um das Lebensmittelgewicht oder das Portionsgewicht einzustellen.
3. Drücken Sie zum Starten die Taste **START/30s (START/+30 Sek.)**.

### Autogar-Menüs:

Code	Lebensmittel	Hinweis:
A-01,	Getränk (200 ml/Tasse, 1 - 3 Tassen)	<ol style="list-style-type: none"> <li>1. Bei den Positionen „A07“ ~ „A09“, „A-13“ geht das Gerät in den Pause-Modus über und lässt einen Ton erklingen, um den Benutzer daran zu erinnern, das Lebensmittel umzudrehen. Drücken Sie anschließend die Taste <b>START/+30s (START/+30 Sek.)</b>, um den Betrieb wiederaufzunehmen.</li> <li>2. Wenn Sie die automatische Garfunktion verwenden, kann es vorkommen, dass das Lebensmittel nicht wie erwartet gegart wird. Hierfür kann es verschiedene Gründe geben, z. B. persönliche Vorlieben, Größe/Form der Lebensmittel, Umgebungstemperatur, Schwankungen der Netzspannung, falsches Platzieren der Lebensmittel auf dem Ofenboden usw. Wenn die Lebensmittel nicht nach Ihren Wünschen zubereitet werden, korrigieren Sie die Zeit entsprechend, um dies zu vermeiden.</li> </ol>
A-02,	Pellkartoffeln (230 ±10 g/Portionen, 1-2 Portionen)	
A-03,	Gemüse (200 - 600 g)	
A-04,	Auto-Aufwärmen (200 - 800 g)	
A-05,	Suppe (300 ml/Schüssel, 1 - 3 Schüsseln)	
A-06,	Reis (150 - 600 g)	
A-07,	Roastbeef/Lamm (200 - 600 g)	
A-08,	Gegrillte Fischstücke (200 - 600 g)	
A-09,	Gegrillter Speck (100 g, 200 g, 300 g)	
A-10,	BACKOFEN-POMMES-FRITES (200 g)	
A-11,	150 g, 150 g, 300 g, 450 g	
A-12,	Kuchen (475 g)	
A-13,	Backhähnchen (800 - 1.400 g)	

# REINIGUNG UND WARTUNG

1. Schalten Sie das Gerät aus und ziehen Sie den Netzstecker aus der Wandsteckdose, wenn Sie das Gerät reinigen.
2. Halten Sie das Innere des Ofens sauber. Sollten an den Seiten des Geräts Lebensmittelspritzer oder verschüttete Flüssigkeiten anhaften, wischen Sie diese mit einem feuchten Tuch ab. Wenn das Gerät stark verschmutzt ist, können Sie milde Reinigungsmittel verwenden. Benutzen Sie keine Sprays und keine anderen scharfen Reinigungsmittel. Durch sie können Flecken, Streifen oder Mattierungen auf der Türoberfläche auftreten.
3. Die Außenseite des Geräts sollte mit einem feuchten Tuch gereinigt werden. Damit keine Schäden an den Betriebsteilen im Inneren des Ofens auftreten, darf kein Wasser in die Lüftungsöffnungen eindringen.
4. Wischen Sie die Tür und das Fenster auf beiden Seiten, die Türdichtungen und die anliegenden Teile regelmäßig mit einem feuchten Tuch ab, um Spritzer oder Verunreinigungen zu entfernen. Benutzen Sie keine Scheuermittel.
5. Nicht dampfstrahlen.
6. Achten Sie darauf, dass das Bedienfeld nicht nass wird. Reinigen Sie das Bedienfeld mit einem weichen, feuchten Tuch. Lassen Sie die Gerätetür beim Reinigen des Bedienfelds offen, damit es nicht versehentlich eingeschaltet wird.
7. Sollte sich Dampf innerhalb oder um die Außenseite der Ofentür herum ansammeln, wischen Sie mit einem weichen Tuch nach. Dies kann passieren, wenn das Mikrowellengerät bei hoher Luftfeuchtigkeit betrieben wird. Dies ist kein Defekt.
8. Sie sollten den Ofenboden regelmäßig reinigen, damit keine Verunreinigungen oder potenzielle Lichtbögen/Schäden auftreten. Wischen Sie die Unterseite des Ofens einfach mit einem milden Reinigungsmittel ab.
9. Sie können Gerüche aus Ihrem Gerät entfernen– vermischen Sie dazu eine Tasse Wasser mit dem Saft und der Schale einer Zitrone in einer mikrowelleneigneten Schale. Erhitzen Sie das Ganze 5 Minuten lang in der Mikrowelle. Wischen Sie das Gerät anschließend gründlich ab und trocknen Sie es mit einem weichen Tuch.
10. Wenn die Glühbirne defekt ist, wenden Sie sich bitte an den Kundendienst.
11. Das Gerät sollte regelmäßig gereinigt werden. Außerdem sollten Lebensmittlrückstände regelmäßig entfernt werden. Wird das Gerät nicht in einem sauberen Zustand gehalten, kann dies zu einer Beschädigung der Oberfläche führen, was die Gebrauchsdauer des Gerätes nachteilig beeinflussen und möglicherweise zu einer Gefahrensituation führen kann.
12. Entsorgen Sie dieses Gerät bitte nicht über den Hausmüll, sondern über die Entsorgungsstelle, die von den Gemeinden zur Verfügung gestellt wird.
13. Wenn die Mikrowelle mit Grillfunktion zum ersten Mal verwendet wird, kann sie einen schwachen Rauch und Geruch erzeugen. Dies ist ganz normal, denn das Gerät wird mit einer mit Schmieröl beschichteten Stahlplatte gefertigt. Das neue Gerät erzeugt Dämpfe und Gerüche, die beim Verbrennen dieses noch anhaftenden Schmieröls entstehen. Dies tritt nach einiger Zeit des Betriebs nicht mehr auf.

## PASSENDES OFENGESCHIRR

Beim Garen/Auftauen in einem Mikrowellengerät muss die Mikrowellenenergie den Behälter durchdringen können, um auf die Lebensmittel wirken zu können. Daher ist es wichtig, geeignetes Geschirr zu wählen.

Bevorzugen Sie runde/ovale Behälter, da Lebensmittel in den Ecken von quadratischen oder länglichen Behältern schnell übergaren. Wie im Folgenden beschrieben, können viele verschiedene Arten von Geschirr verwendet werden.

Geschirr	Mikrowellene geeignet	Grill/Heißluft	Kommentar
Alufolie Folienbehälter	✓ / ✗	✓	Kleine Stücke aus Aluminiumfolie können verwendet werden, um die Lebensmittel vor Überhitzung zu schützen. Halten Sie die Folie mindestens 2 cm von den Wänden des Innenraums entfernt, da Lichtbögen auftreten können. Folienbehälter werden generell nicht empfohlen, außer vom Hersteller anders angegeben, wie z.B. Microfoil®. Folgen Sie den Anweisungen sorgfältig.
Bräunungsgeschirr	✓ / ✗	✗	Befolgen Sie immer die Anleitung des Herstellers. Überschreiten Sie nicht die angegebenen Erwärmzeiten. Seien Sie sehr vorsichtig, da dieses Geschirr sehr heiß wird.
Porzellan und Keramik	✓ / ✗	✗	Porzellan, Tongeschirr, glasiertes Steingut und feines Porzellan sind grundsätzlich geeignet, sofern sie kein metallisches Dekor aufweisen.
Glas z. B. Pyrex®	✓	✓	Seien Sie vorsichtig bei der Verwendung von feinen Gläsern, diese können beim plötzlichen Erwärmen zerspringen.
Metall	✗	✓	Verwenden Sie kein Metallgeschirr, da ein Lichtbogen entstehen und somit ein Feuer verursacht werden kann.
Plastik/Polystyrol, z. B. Fastfood-Behälter	✓	✗	Bitte beachten Sie, dass sich einige Behälter bei hohen Temperaturen verformen, schmelzen oder ihre Farbe verändern.
Klarsichtfolie	✓	✗	Sie sollten die Lebensmittel nicht berühren und stechen Sie in diese ein, damit der Dampf entweichen kann.
Gefrier-/Bratbeutel	✓	✗	Muss zum Auslass von Dampf angestochen werden. Stellen Sie sicher, dass die verwendeten Beutel mikrowellene geeignet sind.
Pappteller/-becher und Küchenpapier	✓	✗	Verwenden Sie keine Kunststoff- oder Metall-Bindungen, da diese schmelzen können oder wegen "Lichtbögen" Feuer fangen können.
Behälter aus Stroh und Holz	✓	✗	Nur zum Aufwärmen verwenden, oder um Feuchtigkeit zu absorbieren Überhitzung kann zu Feuer führen.
Recyclingpapier und Zeitungen	✗	✓	Überwachen Sie das Gerät immer, wenn Sie diese Materialien verwenden, da eine Überhitzung zu Bränden führen kann. Kann metallische Bestandteile enthalten, die zu Lichtbögen und Bränden führen können.



**WARNUNG: Beim Erhitzen von Lebensmitteln in Plastik- oder Papierbehältern müssen Sie das Gerät überwachen, da sich diese entzünden könnten.**

HINWEIS: Lassen Sie das Gerät bei der Verwendung nicht unbeaufsichtigt.

# MIKROWELLENGARTIPPS

Mikrowellen garen Speisen schneller als konventionelle Garweisen. Daher ist es wichtig, dass Sie bestimmte Techniken anwenden, um gute Ergebnisse zu erzielen. Viele dieser Techniken ähneln jedoch jenen, die beim konventionellen Garen verwendet werden.



**WARNUNG: Flüssigkeiten oder Speisen dürfen nicht in geschlossenen Behältern oder Behältern/ Gläsern mit einem Deckel erhitzt werden, da sich darin Druck aufbauen kann. Dies kann dazu führen, dass das Gefäß/der Behälter explodiert.**

## **GARHINWEISE:**

- Lassen Sie das Gerät im Betrieb niemals unbeaufsichtigt.
- Stellen Sie sicher, dass das verwendete Geschirr mikrowellengeeignet ist.
- In den Diagrammen im Kochbuch-Abschnitt finden Sie empfohlene Garzeiten und Leistungsstufen.
- Stellen Sie keine heißen Lebensmittel/Utensilien auf ein kaltes Flachbett oder kalte Lebensmittel/Utensilien auf ein heißes Flachbett.
- Verwenden Sie nur Mikrowellen-Popcorn in seiner empfohlenen Verpackung (befolgen Sie die Herstelleranweisungen). Verwenden Sie niemals Öl, außer der Hersteller empfiehlt dies ausdrücklich, und garen Sie es nie länger als empfohlen.



**WARNUNG: Befolgen Sie jederzeit die Anweisungen aus dem SHARP-Benutzerhandbuch. Wenn Sie die empfohlenen Garzeiten überschreiten und/oder zu hohe Leistungsstufen verwenden, können Lebensmittel überhitzen, anbrennen und unter Umständen Feuer fangen und das Gerät beschädigen.**

## **Anordnen**

Platzieren Sie die dicksten Lebensmittel auf die Außenseite des Geschirrs, z.B. Hühnerbeine. Lebensmittel, die auf der Außenseite des Geschirrs platziert sind, werden mehr Energie erhalten, somit schneller garen als jene in der Mitte.

## **Abdecken**

Bei manchen Speisen ist es vorteilhaft, sie während des Garens in der Mikrowelle abzudecken. Verwenden Sie nur mikrowellengeeignete Frischhaltefolie oder einen geeigneten Deckel

## **Einstechen**

Lebensmittel mit einer Schale, einer Haut oder einer Membran müssen an verschiedenen Stellen eingestochen werden, bevor sie gegart oder aufgewärmt werden, denn dabei entsteht Dampf, der zum Platzen führen kann – z. B. Kartoffeln, Fisch, Hühnchen, Würstchen.

**HINWEIS:** Eier sollten nicht mit Mikrowellenleistung erhitzt werden. Sie könnten auch nach dem Garen noch explodieren – z. B. pochiert, gebraten, hartgekocht.

## **Umrühren, Wenden und Neuankordnen.**

Für ein gleichmäßiges Garen ist Umrühren, Wenden und Neuankordnen von Speisen während des Garvorgangs essenziell. Führen Sie dies immer vom Rand in die Mitte durch.

## **Ruhen**

Nach dem Garen ist eine Ruhezeit nötig, damit sich die Hitze gleichmäßig in den Lebensmitteln verteilen kann.



<b>Lebensmittelmerkmale</b>	
<b>Zusammensetzung</b>	Speisen mit einem hohen Zuckergehalt (z.B. Früchtepuddings oder gefülltes Gebäck) benötigen weniger Garzeit. Passen Sie also auf, denn Überhitzen kann zu Bränden führen. Knochen in Lebensmitteln sind Hitzeleiter, sodass das Lebensmittel schneller garen wird. Passen Sie also auf, dass die Speisen gleichmäßig garen.
<b>Dichte</b>	Die Lebensmitteldichte beeinflusst die benötigte Garzeit. Leicht poröse Lebensmittel, wie Kuchen oder Brot, garen schneller als schwere und dichte, wie z. B. Braten und Schmorgerichte.
<b>Menge</b>	Die Anzahl der Mikrowellen in Ihrem Gerät bleibt dieselbe, egal wie viel Speisen gegart werden. Die Garzeit muss daher erhöht werden, wenn die Lebensmittelmenge im Gerät zunimmt. Beispielsweise dauert das Garen von vier Kartoffeln länger als das von zwei Stück.
<b>Größe</b>	Kleine Lebensmittel und kleine Portionen garen schneller als größere, da die Mikrowellen von allen Seiten in ihr Inneres eindringen können. Für ein gleichmäßiges Garen, teilen Sie alles in gleich große Portionen.
<b>Form</b>	Lebensmittel in unregelmäßiger Form, wie Hähnchenbrust oder Hühnerbeine, benötigen für ihre dickeren Teile eine längere Garzeit. Für ein gleichmäßiges Garen, platzieren Sie die dickeren Teile auf den Rand des Geschirrs, sodass sie mehr Energie abbekommen. Runde Formen garen gleichmäßiger als viereckige Formen.
<b>Speisentemperatur</b>	Die Ausgangstemperatur der Lebensmittel beeinflusst die benötigte Garzeit Gekühlte Lebensmittel brauchen länger zum Garen als solche mit Zimmertemperatur. Die Temperatur des Behältnisses ist kein wirkliches Anzeichen für die Temperatur der enthaltenen Speisen oder Getränken. Schneiden sie Speisen mit Füllungen auf, wie z.B. mit Marmelade gefüllte Donuts, um Hitze oder Dampf entweichen zu lassen.



**WARNUNG: Gesicht und Hände: Benutzen Sie immer Ofenhandschuhe, um Speisen oder Geschirr aus dem Gerät zu entnehmen. Treten Sie einen Schritt zurück, um Hitze und Dampf entweichen zu lassen. Wenn Sie Abdeckungen entfernen (wie z. B. Klarsichtfolie), Bratbeutel oder Popcorn-Packungen öffnen, sollten Sie den Dampf immer von Ihren Händen oder ihrem Gesicht fernhalten.**



**WARNUNG: Vor dem Servieren sollten Sie immer die Temperatur der Speisen und Getränke überprüfen und diese umrühren. Gehen Sie mit besonderer Vorsicht vor, wenn Sie sie Babys, Kindern oder alten Menschen servieren. Der Inhalt von Babyfläschchen und Babynahrungsgläsern müssen besonders auf ihre Temperatur vor dem Verzehr überprüft sowie umgerührt oder geschüttelt werden, um Verbrennungen zu verhindern.**

# AUFTAU-TIPPS

Die Verwendung Ihres Mikrowellengeräts ist die schnellste Methode zum Auftauen von Lebensmitteln. Es ist eine einfache Methode, aber die folgenden Anweisungen sind essenziell, um zu gewährleisten, dass Speisen vollständig aufgetaut werden.

- Entfernen Sie vor dem Auftauen die gesamte Verpackung.
- Um Lebensmittel aufzutauen, benutzen Sie die Mikrowellenleistungsstufen 30P oder 10P.
- Beziehen Sie sich hierbei bitte unten auf die weiteren Informationen.

## **Neuanordnen**

Lebensmittel, die am Rand des Geschirrs liegen, tauen schneller auf als jene in der Mitte. Deshalb sollte man sie bis zu viermal neuanordnen.

Bewegen Sie eng nebeneinander liegende Stücke am Rand in die Mitte und ordnen Sie übereinander liegende Teile neu an.

Dies wird dafür sorgen, dass alle Teile der Speisen gleichmäßig auftauen

## **Trennen**

Lebensmittel können beim Einfrieren zusammengeklebt sein. Es ist wichtig, sie sobald wie möglich voneinander zu trennen.

z.B. Baconscheiben oder Hühnerfilets.

## **Abschirmen**

Manche Teile des aufzutauenden Lebensmittels können warm werden. Um zu verhindern, dass sie noch wärmer werden und anfangen zu kochen, können sie mit kleinen Folienstücken abgeschirmt werden, die Mikrowellen reflektieren. Beispiele hierfür wären z.B. Hühnerbeine und Chicken Wings.

## **Ruhen**

Ruhezeit ist nötig, um zu gewährleisten, dass die Speisen vollständig aufgetaut sind.

Das Auftauen ist nicht abgeschlossen, wenn die Speisen aus dem Gerät entnommen sind. Die Speisen müssen abgedeckt ruhen, um sicherzustellen, dass sie auch in der Mitte komplett aufgetaut sind.

## **Wenden**

Es ist wichtig, dass alle Lebensmittel während des Auftauens bis zu 4 Mal gewendet werden.

Dies ist wichtig, damit ein sorgfältiges Auftauen gewährleistet wird.

# AUFWÄRM-TIPPS

Für das Wiederaufwärmen von Speisen sollten Sie den unten angegebenen Ratschlägen und Hinweisen folgen, um sicherzustellen, dass die Speisen vor dem Servieren vollständig erwärmt sind.

## Tellergerichte

Entfernen Sie Geflügel- oder Fleischstücke und erwärmen Sie diese separat, wie unten beschrieben.

Platzieren Sie kleinere Stücke in die Mitte des Tellers sowie größere und dickere an den Rand. Decken Sie sie mit mikrowelleneigneter Folie ab und erwärmen Sie die Speise auf 50P. Nach der Hälfte der Erwärmungszeit sollten Sie es umrühren bzw. neuanordnen.

**HINWEIS:** Stellen Sie sicher, dass die Speisen vor dem Servieren vollständig erwärmt sind.

## Geschnittenes Fleisch

Decken Sie sie mit mikrowelleneigneter Frischhaltefolie ab und erwärmen Sie die Speise auf 50P. Mischen Sie es mindestens einmal neu durch, um ein gleichmäßiges Erwärmen zu garantieren.

**HINWEIS:** Stellen Sie sicher, dass das Fleisch vor dem Servieren vollständig erwärmt ist.

## Geflügelportionen

Platzieren Sie die dicksten Teile der Portion an den Rand des Geschirrs, decken Sie sie mit mikrowelleneigneter Folie und erwärmen Sie sie bei 70P.

Wenden Sie die Geflügelportionen nach der Hälfte der Aufwärmphase.

**HINWEIS:** Stellen Sie sicher, dass das Geflügel vor dem Servieren vollständig erwärmt ist.

## Schmorgerichte

Decken Sie die Schmorgerichte mit mikrowelleneigneter Folie oder einem passenden Deckel ab sowie erwärmen Sie diese Gerichte bei 50P.

Regelmäßig umrühren, um gleichmäßiges Erwärmen zu gewährleisten.

**HINWEIS:** Stellen Sie sicher, dass die Speisen vor dem Servieren vollständig erwärmt sind.

Um das beste Erwärmungsergebnis zu erzielen, wählen Sie eine zum Speisentyp passende Mikrowellenleistungsstufe aus. Beispielsweise sollte eine Schale Gemüse bei 100P erwärmt werden, während eine Lasagne (die ja nicht umgerührt werden kann) bei 50P erwärmt werden sollte.

### HINWEISE:

- Nehmen Sie die Speisen aus der Folie oder Metallbehältnissen heraus, bevor Sie sie erwärmen.
- Die Erwärmungszeiten werden von der Form, Tiefe, Menge und Temperatur der Speisen und der Größe, Form und dem Material des Behälters ab.



**WARNUNG: Erhitzen Sie niemals Flüssigkeiten in schmalen, hohen Gefäßen, da der Inhalt herauspritzen und zu Verbrennungen führen könnte.**

- Zur Vermeidung von Überhitzung und Feuer sollte besonders vorsichtig vorgegangen werden, wenn Lebensmittel mit einem besonders hohen Zucker- oder Fettgehalt, wie z. B. gefüllte Süßspeisen oder Fruchtpuddings, gegart oder aufgewärmt werden.
- Erhitzen sie niemals Fett oder Öl zum Frittieren, da dies zu Überhitzung oder Bränden führen kann.
- Dosenkartoffeln sollte nicht in einem Mikrowellengerät erhitzt werden, befolgen Sie die Herstellerangaben auf der Dose.



**WARNUNG: Der Inhalt von Saugflaschen und Babynahrungsgläser muss vor dem Gebrauch geschüttelt bzw. gerührt und die Temperatur muss vor dem Verzehr geprüft werden, um Verbrennungen zu vermeiden.**

# FEHLERBEHEBUNG

Wenn Sie denken, dass das Gerät nicht ordentlich funktioniert, gibt es einige einfache Überprüfungen, die Sie selbst durchführen können bevor Sie den Kundendienst rufen. Dies kann Ihnen viel Aufwand ersparen, wenn es sich um einen einfachen Fehler handelt.

Führen Sie die folgende Überprüfung durch:

Stellen Sie eine halbe Tasse Wasser auf das Flachbett und schließen Sie ihn die Tür. Programmieren Sie das Gerät so, dass es bei 100P Mikrowellenleistung 1 Minute lang gart.

1. Schaltet sich die Gerätelampe beim Garen ein?
2. Funktioniert der Lüfter? (Überprüfen Sie dies, indem Sie Ihre Hand über die Lüftungsöffnungen platzieren.)
3. Ertönt der Signalton nach einer Minute?
4. Ist das Wasser in der Tasse heiß?

Nehmen Sie die Tasse Wasser aus dem Gerät und schließen Sie die Tür. Programmieren Sie das Gerät so, dass es 3 Minuten lang gart – verwenden Sie den Grill.

5. Wird das Grill-Heizelement nach 3 Minuten rot?

Wenn die Antwort auf eine der Fragen „NEIN“ ist, überprüfen Sie, ob das Gerät richtig eingesteckt ist oder die Sicherung durchgebrannt ist. Wenn dies nicht der Fall ist, konsultieren Sie die folgende Tabelle.



**WARNUNG: Reparieren, modifizieren oder passen Sie das Gerät niemals selbst an. Die Durchführung von Reparaturarbeiten ist für alle Personen außer den ausgebildeten SHARP-Technikern gefährlich. Dies ist insofern wichtig, da die Entfernung von Schutzabdeckungen zur Freisetzung von Mikrowellen führen kann.**

- Die Türabdichtung verhindert das Austreten von Mikrowellen während des Betriebs, aber stellt keine luftdichte Dichtung dar. Daher ist es normal, Wassertropfen oder einen leichten lauwarmen Luftstrom im Türbereich zu bemerken. Aus Lebensmitteln mit einem hohen Feuchtigkeitsgehalt tritt Dampf aus, der zu Kondenswasser im Gerät führt, das aus dem Gerät her austropfen kann.
- Reparaturen und Umbauten: Versuchen Sie nicht, das Gerät in Betrieb zu nehmen, wenn es nicht richtig funktioniert.
- Zugriff auf das Gehäuse & die Lampe: Entfernen Sie niemals das Gehäuse. Das ist extrem gefährlich, aufgrund der Präsenz von elektrisch geladenen Teilen im Innern, deren Berührung tödlich sein kann. Ihr Gerät ist nicht mit einer Lampenabdeckung versehen. Wenn die Lampe kaputtgeht, versuchen Sie nicht, sie selbstständig zu entfernen, rufen Sie den SHARP-Kundendienst.

## FEHLERBEHEBUNG-DIAGRAMM

FRAGE	ANTWORT
Ein Luftzug tritt an der Tür auf.	Wenn das Gerät in Betrieb ist, zirkuliert Luft im Garraum. Die Tür ist nicht luftdicht abgeschlossen, daher kann Luft durch die Tür austreten.
Kondenswasser sammelt sich im Gerät an und kann aus der Tür heraustropfen.	Der Garraum wird normalerweise kälter als das Gargut sein und daher wird der beim Garen entstehende Dampf auf der kälteren Oberfläche kondensieren. Die entstandene Dampfmenge hängt vom Wassergehalt des Garguts ab. Manche Lebensmittel, z. B. Kartoffeln sind höchst wasserhaltig. Das Kondenswasser in der Glastür sollte nach ein paar Stunden verschwunden sein.
Blitz- oder Lichtbogenbildung im Garraum beim Garen.	Ein Lichtbogen bildet sich, wenn ein Metallobjekt während des Garens dem Garraum nahekommt. Dies kann möglicherweise die Garraumoberfläche aufrauen, aber wird sonst das Gerät nicht beschädigen.
Lichtbogenbildung bei Kartoffeln.	Stellen Sie sicher, dass Sie alle „Augen“ aus den Kartoffeln entfernt haben und die Kartoffeln eingestochen haben, dann können Sie sie direkt auf das Flachbett oder in eine hitzebeständige Auflaufform o.ä. geben.
Das Display leuchtet auf, aber das Bedienfeld reagiert nicht auf Drücken.	Überprüfen Sie, ob die Tür richtig geschlossen ist.
Gerät gart zu langsam.	Überprüfen Sie die eingestellte Leistungsstufe
Das Gerät produziert Geräusche	Die Mikrowellenenergie pulsiert währen des Garens/Auftauens.
Das Gehäuse ist heiß.	Das Gehäuse kann warm werden, halten Sie Kinder von ihm fern.

## FUNKSTÖRUNG

Der Betrieb des Mikrowellengeräts kann Störungen bei Ihrem Radio, Fernseher oder bei ähnlichen Geräten verursachen. Sollten Störungen auftreten, können sie durch folgende Maßnahmen eingedämmt oder beseitigt werden:

1. Reinigen Sie Tür und Dichtfläche des Geräts.
2. Richten Sie die Empfangsantenne von Radio oder Fernseher neu aus.
3. Stellen Sie das Mikrowellengerät im Verhältnis zum Empfänger neu auf.
4. Bewegen Sie das Mikrowellengerät vom Empfänger weg.
5. Stecken Sie das Mikrowellengerät in eine andere Steckdose, damit das Mikrowellengerät und der Empfänger an unterschiedlichen Stromkreisen angeschlossen sind.

## EHE SIE UNTERSTÜTZUNG ANFORDERN

Ehe Sie einen Service anfordern, überprüfen Sie bitte jeden der folgenden Punkte:

- Vergewissern Sie sich, dass das Gerät sicher eingesteckt ist. Wenn das nicht der Fall ist, ziehen Sie den Stecker aus der Steckdose, warten Sie 10 Sekunden lang und schließen das Gerät anschließend erneut ordnungsgemäß an.
- Vergewissern Sie sich, ob eine Sicherung des Stromkreises durchgebrannt ist oder ein Hauptstromkreisunterbrecher ausgelöst wurde. Wenn diese einwandfrei zu funktionieren scheinen, überprüfen Sie die Steckdose mit einem anderen Gerät.
- Vergewissern Sie sich, dass das Bedienfeld richtig programmiert und der Timer eingestellt ist.
- Vergewissern Sie sich, dass die Tür ordnungsgemäß geschlossen wurde und dass das Türverriegelungssystem aktiviert wurde. Wurde die Tür nicht richtig geschlossen, funktioniert die Mikrowelle nicht.

WENN KEINER DER OBEN AUFGEFÜHRTEN PUNKTE DAS PROBLEM LÖSEN KANN, WENDEN SIE SICH AN DIE SHARP-HELPLINE. VERSUCHEN SIE NICHT, DAS GERÄT SELBST ZU MODIFIZIEREN ODER ZU REPARIEREN.



**Atención:**  
Su producto está marcado con este símbolo, que significa que los productos eléctricos y electrónicos usados no deberían mezclarse con los residuos domésticos generales. Existe un sistema de recogida especial para estos productos.

## A. Información sobre eliminación para particulares

### 1. En la Unión Europea

Atención: Si desea eliminar este equipo, no utilice el cubo de la basura habitual.

Los equipos eléctricos y electrónicos usados deben tratarse por separado de acuerdo con la legislación que requiere un tratamiento, una recuperación y un reciclaje adecuados de los equipos eléctricos y electrónicos usados.

Tras la aplicación por parte de los estados miembros, los hogares de los estados de la UE podrán devolver, sin coste alguno, sus equipos eléctricos o electrónicos usados a las instalaciones para ello designadas.\*

En algunos países\* el establecimiento local puede recoger el producto sin coste alguno por la compra uno nuevo similar.

\*) Si desea más información, póngase en contacto con las autoridades locales.

Si sus equipos eléctricos o electrónicos usados incorporan pilas o acumuladores, elimínelos por separado con antelación según los requisitos locales. La correcta eliminación de estos productos ayuda a garantizar que los residuos sean sometidos a los procesos de tratamiento, recuperación y reciclaje adecuados, así como a prevenir los efectos negativos potenciales sobre el medio ambiente y la salud de los seres humanos resultante de una manipulación inadecuada de los residuos.

### 2. Países no pertenecientes a la Unión Europea

Si desea eliminar este producto, póngase en contacto con las autoridades locales para consultar el método correcto de eliminación.

Para Suiza: los equipos eléctricos o electrónicos pueden devolverse al vendedor sin coste alguno, incluso si no compra ningún producto nuevo. Encontrará más información sobre los centros de recogida en la página de inicio [www.swico.ch](http://www.swico.ch) o [www.sens.ch](http://www.sens.ch).

## B. Información sobre eliminación para empresas

### 1. En la Unión Europea

Si el producto es utilizado para fines empresariales y desea eliminarlo: Póngase en contacto con su distribuidor de SHARP, que le informará sobre la retirada del producto. Es posible que deba sufragar los costes derivados de la retirada y el reciclaje. Es posible que los centros de recogida locales acepten los productos pequeños (y en cantidades pequeñas).

Para España: póngase en contacto con el sistema de recogida establecido con la autoridad local para la retirada del producto usado.

### 2. Países no pertenecientes a la Unión Europea

Si desea eliminar este producto, póngase en contacto con las autoridades locales para consultar el método correcto de eliminación.

## PRECAUCIONES PARA EVITAR LA POSIBLE EXPOSICIÓN A LA ENERGÍA DE MICROONDAS

1. No intente utilizar este horno con la puerta abierta, ya que, de hacerlo, podría resultar expuesto a la energía de microondas. Es importante no eliminar ni manipular los cierres de seguridad,
2. No inserte ningún objeto entre la cara frontal y la puerta, ni permita que se acumulen residuos o desechos en la superficies selladas.
3. No use el horno si está dañado. Es muy importante que la puerta del horno cierre correctamente, y que ni la puerta, las bisagras, los cierres o las juntas de la puerta y las superficies de sellado presenten daños.
4. No intente reparar ni ajustar el horno.

## ÍNDICE

INSTRUCCIONES IMPORTANTES DE SEGURIDAD .....	3
INSTALACIÓN .....	13
ESPECIFICACIONES .....	15
HORNO Y ACCESORIOS.....	16
PANEL DE CONTROL .....	17
ANTES DE USAR.....	18
AJUSTE DEL RELOJ .....	18
COCCIÓN EXPRÉS .....	18
COCINAR CON MODO DE MICROONDAS .....	18
GRILL .....	18
MICROONDAS + GRILL .....	19
CONVENCIÓN .....	19
MICROONDAS + CONVECCIÓN .....	19
DESCONGELAR POR PESO .....	19
DESCONGELAR POR TIEMPO .....	20
TEMPORIZADOR DE COCINA.....	20
FUNCIÓN FAVORITA .....	20
FUNCIÓN DE AHORRO DE ENERGÍA .....	20
FUNCIÓN DE SILENCIO.....	21
BLOQUEO PARA NIÑOS: .....	21
BLOQUEO DE SEGURIDAD.....	21
MECANISMO DE PROTECCIÓN AUTOMÁTICO .....	21
COCCIÓN AUTOMÁTICA .....	21
LIMPIEZA Y MANTENIMIENTO.....	22
UTENSILIOS ADECUADOS PARA EL HORNO.....	23
CONSEJOS PARA COCINAR CON EL MICROONDAS.....	24
CONSEJOS PARA DESCONGELAR.....	26
CONSEJOS PARA RECALENTAR .....	27
RESOLUCIÓN DE PROBLEMAS.....	28
INTERFERENCIA DE RADIO .....	29
ANTES DE LLAMAR AL SERVICIO TÉCNICO .....	29

## INSTRUCCIONES IMPORTANTES DE SEGURIDAD

### LEA CUIDADOSAMENTE Y GUARDE PARA FUTURAS REFERENCIAS

**Para prevenir el peligro de fuego.**

**No debe dejarse sin vigilancia el horno microondas durante el proceso de cocinado. Niveles de potencia demasiado altos o periodos de cocinado demasiado largos pueden sobrecalentar la comida y provocar un incendio.**

Este horno está diseñado para utilizarse en una encimera solamente. No está diseñado para integrarse en una unidad de cocina.

No coloque el horno dentro de un armario.

La toma de corriente debe ser de fácil acceso para que la unidad pueda desconectarse fácilmente en caso de emergencia.

La fuente de alimentación de CA debe ser de 230-240 V, 50 Hz, con un fusible de línea de distribución de 10 A como mínimo, o un interruptor de circuito de distribución de 10 A como mínimo.

Se deberá suministrar un circuito eléctrico independiente solo para este aparato.

No coloque el horno en zonas donde se genere calor. Por ejemplo, cerca de un horno convencional.

No instale el horno en áreas de alta humedad o donde se pueda acumular humedad.

No guarde o use el horno en exteriores.

**Si se observa humo, apague o desconecte el horno**



**y mantenga la puerta cerrada con el fin de sofocar las llamas.**

**Utilice solamente recipientes y utensilios aptos para microondas.**

**Se deberán comprobar los utensilios para verificar que son aptos para su uso en hornos de microondas.**

**Al calentar alimentos en recipientes de papel o plástico, vigile el horno debido a la posibilidad de ignición.**

**Limpie la tapa del microondas y la cavidad del horno.**

**Estos elementos deben estar secos y libres de grasa. La grasa acumulada puede sobrecalentarse, y despidir humo o incendiarse.**

No coloque materiales inflamables cerca del horno o de los orificios de ventilación.

No bloquee los orificios de ventilación.

Extraiga todos los sellos metálicos, envolturas con alambre, etc., de la comida y de las envolturas de comida. Los arcos eléctricos en superficies metálicas pueden provocar incendios.

No use el horno microondas para calentar aceite para freír. La temperatura no se puede controlar y el aceite puede incendiarse.

Cuando haga palomitas de maíz, utilice solamente fabricantes especializados en palomitas para microondas.

No almacene comida u otros artículos dentro del horno.

---

Compruebe la configuración después de encender el horno para asegurarse de que el aparato funciona como se desea.

No deje el horno sin atender mientras se usa.

Para evitar el calentamiento excesivo y el fuego, se debe prestar atención especial al cocinar o recalentar alimentos con un contenido alto de azúcar o grasa, por ejemplo, salchichas, pasteles o pudin de Navidad.

Consulte las sugerencias correspondientes en el manual de funcionamiento.

### **Para evitar la posibilidad de lesiones.**

#### **ADVERTENCIA:**

No use el horno si está dañado o no funciona correctamente. Compruebe lo siguiente antes de usar:

- a) Compruebe que la puerta está correctamente cerrada y asegúrese de que no esté desalineada o deformada.
- b) Compruebe que las bisagras y las cerraduras de seguridad de la puerta no están rotas ni sueltas.
- c) Asegúrese de que las juntas de las puertas y superficies de sellado no están dañados.
- d) Asegúrese de que interior de la cavidad del horno o la puerta no presentan abolladuras.
- e) Asegúrese de que el cable de alimentación y el enchufe no estén dañados.

Si las juntas de la puerta o la puerta están dañados, no debe utilizarse el horno hasta que haya sido reparado por una persona competente.

**Nunca ajuste, repare o modifique el horno.**

**Es peligroso para cualquier persona que no esté capacitada para llevar a cabo una operación de mantenimiento o reparación que conlleve retirar una cubierta de protección contra la exposición a la energía de microondas.**

No utilice el horno con la puerta abierta ni modifique las cerraduras de seguridad de ninguna manera. No utilice el horno si hay algún objeto entre las juntas de la puerta y las superficies de sellado.

**No permita que la grasa o la suciedad se acumule en las juntas de las puertas y las partes adyacentes. Limpie el horno con regularidad y elimine los depósitos de alimentos.**

**Siga las instrucciones de "cuidado y limpieza". No mantener el horno limpio podría dar lugar a que la superficie se deteriore, y podría afectar negativamente a la vida útil del aparato y originar situaciones de peligro.**

Las personas con MARCAPASOS deben consultar a su médico o al fabricante del marcapasos para tomar las precauciones debidas respecto a los hornos microondas.

**Para evitar la posibilidad de una descarga eléctrica.**

Bajo ninguna circunstancia se deberá desmontar la carcasa exterior.

Nunca derrame o inserte ningún objeto en las aberturas de cerradura de la puerta u orificio de ventilación. En caso de que se produzca un derrame, apague, desenchufe inmediatamente el aparato y

---

llame a un agente autorizado de servicio SHARP.

No sumerja el cable de alimentación o el enchufe en agua u otros líquidos.

No deje que el cable de alimentación cuelgue sobre el borde de una mesa o superficie de trabajo.

Mantenga el cable de alimentación alejado de superficies calientes, incluida la parte posterior del horno.

Mantenga el aparato y el cable fuera del alcance de los niños menores de 8 años.

No trate de cambiar la lámpara del horno por sí mismo ni permita que ninguna persona no autorizada por SHARP lo haga. Si la lámpara se estropea, consulte a su distribuidor o un agente autorizado del servicio SHARP.

Si el cable de alimentación de este aparato está dañado, se debe sustituir por un cable especial.

El intercambio lo debe realizar un agente de servicio autorizado SHARP.

### **Para evitar la posibilidad de explosión y de una ebullición repentina:**

**ADVERTENCIA: Los líquidos y otros alimentos no deben calentarse en recipientes cerrados ya que podrían explotar.**

**Calentar bebidas en el microondas puede retardar la ebullición, por lo que se deberá tener cuidado al manejar el recipiente.**

Nunca utilice recipientes herméticos. Retire los cierres y las tapas antes de utilizarlos. Los recipientes sellados pueden explotar debido al aumento de la presión

incluso una vez que el horno se haya apagado. Tenga mucho cuidado cuando caliente líquidos. Use recipientes de boca ancha para dejar escapar las burbujas.

**No caliente nunca líquidos en recipientes de boca estrecha tales como biberones, ya que esto puede dar lugar a que el contenido del envase salga a chorros cuando esté caliente y cause quemaduras.**

Para prevenir la salida repentina del líquido hirviendo y posibles quemaduras:

1. No caliente durante una cantidad excesiva de tiempo.
2. Remueva el líquido antes de calentar o recalentar.
3. Es aconsejable introducir una varilla de cristal o un utensilio similar (no metálico) en el líquido mientras se calienta.
4. Deje el líquido en reposo durante al menos 20 segundos en el horno al final del tiempo de cocinado para evitar ebulliciones posteriores.

**No cocine huevos con cáscara ni caliente huevos duros en el microondas ya que pueden explotar, incluso después de que el microondas haya terminado el cocinado. Para cocinar o recalentar los huevos que no hayan sido revueltos o mezclados, perfore las yemas y las claras, ya que de lo contrario los huevos pueden explotar. Pele y corte los huevos duros antes de calentarlos en el horno microondas.**

Perfore la piel de alimentos como patatas, salchichas y

---

frutas antes de cocinar, ya que pueden explotar.

### **Para evitar la posibilidad de quemaduras.**

**ADVERTENCIA: Se debe revolver y agitar el contenido de biberones y envases de comida para bebés y revisar la temperatura antes de su consumo, con el fin de evitar quemaduras.**

**Utilice agarradores o guantes de cocina cuando saque los alimentos del horno para evitar quemaduras.**

Siempre que abra recipientes, bolsas de palomitas de maíz, bolsas para cocinar en el horno, etc. hágalo lejos de la cara y manos para evitar quemaduras producidas por el vapor y líquido hirviendo.

Para evitar quemaduras, compruebe la temperatura de los alimentos y revuelva siempre antes de servir y preste especial atención a la temperatura de los alimentos y bebidas para bebés, niños o ancianos. Las partes accesibles pueden calentarse durante el uso.

Los niños pequeños deben permanecer alejados.

La temperatura de los recipientes no es un indicador real de la temperatura de los alimentos o bebidas; verifique siempre la temperatura de los alimentos.

Mantenga siempre la distancia de la puerta del horno cuando se abra para evitar quemaduras por el vapor y el calor que se escapa.

Corte los alimentos rellenos horneados después de calentar para liberar el vapor y evitar quemaduras.

Mantenga a los niños lejos de la puerta para evitar que puedan quemarse.

**Para evitar el uso incorrecto por parte de los niños.**

**ADVERTENCIA: Solo permita a los niños a partir de los 8 años de edad utilizar el horno sin supervisión cuando hayan recibido las instrucciones adecuadas para que puedan utilizar el horno de una forma segura y comprendan los peligros de un uso inadecuado. Si el aparato se utiliza en modo GRILL, MIX GRILL y AUTO MENU, los niños solo deben usarlo bajo la supervisión de un adulto debido a la temperatura generada.**

**Este aparato no está pensado para su uso por parte de personas (incluidos niños) con capacidades físicas, sensoriales o mentales reducidas, o con falta de experiencia o conocimientos, a menos que sean supervisados o instruidos en su uso por una persona responsable de su seguridad. Se debe vigilar a los niños para asegurarse de que no jueguen con el aparato. Los modelos con panel táctil electrónico cuentan con un modo de bloqueo para niños.**

No se apoye sobre o balancee la puerta del horno. No juegue con el horno ni lo utilice como un juguete. Los niños deben aprender todas las instrucciones importantes de seguridad: usar agarraderas de cocina, extraer atentamente las tapas de los alimentos y prestar especial atención a los envases (por ejemplo, materiales de calentamiento automático) diseñados para conseguir alimentos más crujientes, ya que pueden estar muy calientes.

---

## **Otras advertencias**

Nunca modifique el horno de ninguna manera. No mueva el horno mientras esté en funcionamiento. Este electrodoméstico no se ha diseñado para un uso doméstico.

Este horno se ha diseñado para preparar alimentos en el hogar únicamente. No es apto para uso comercial o de laboratorio. Secar comida o ropa, y calentar almohadillas térmicas, zapatillas, esponjas, ropa húmeda u otros objetos similares puede provocar lesiones, explosión o fuego. Este horno no es apto para uso comercial o de laboratorio.

### **Para fomentar el uso de su horno sin problemas y evitar daños.**

Nunca utilice el horno si está vacío. Cuando utilice un plato para dorar o material de autocalentamiento, coloque siempre un aislante resistente al calor, como un plato de porcelana debajo para evitar daños en la base del horno debido al estrés por calor. No se debe exceder el tiempo de precalentamiento especificado en las instrucciones de los platos.

No utilice utensilios de metal, pues reflejan las microondas y pueden provocar arco eléctrico. No introduzca latas en el horno.

Para evitar que la base del horno se rompa:

- a) Antes de limpiar la base del horno con agua, deje que la parte inferior se enfríe.
- b) No coloque alimentos calientes o utensilios calientes en una base de horno fría.



c) No coloque los alimentos fríos o utensilios fríos en una base de horno caliente.

No coloque nada en el compartimiento exterior durante la operación.

**NOTA:**

No utilice contenedores de plástico para calentar en el microondas si el horno está todavía caliente después de utilizarlo en modo GRILL o MIX GRILL, porque podrían derretirse.

No se deben utilizar contenedores de plástico con el horno en estos modos, a menos que el fabricante del contenedor indique que resulta adecuado.

Si no está seguro de cómo conectar el horno, consulte a un electricista autorizado y certificado.

Ni el fabricante ni el distribuidor pueden aceptar ninguna responsabilidad por averías en el horno o lesiones personales que resulten del incumplimiento del procedimiento de conexión eléctrica correcto.

Se puede formar vapor de agua o gotas de vez en cuando en las paredes del horno o alrededor de los sellos de las puertas y las superficies de sellado. Esto es algo normal y no un indicador de fugas o mal funcionamiento del microondas.



Este símbolo significa que las superficies pueden calentarse durante el uso.

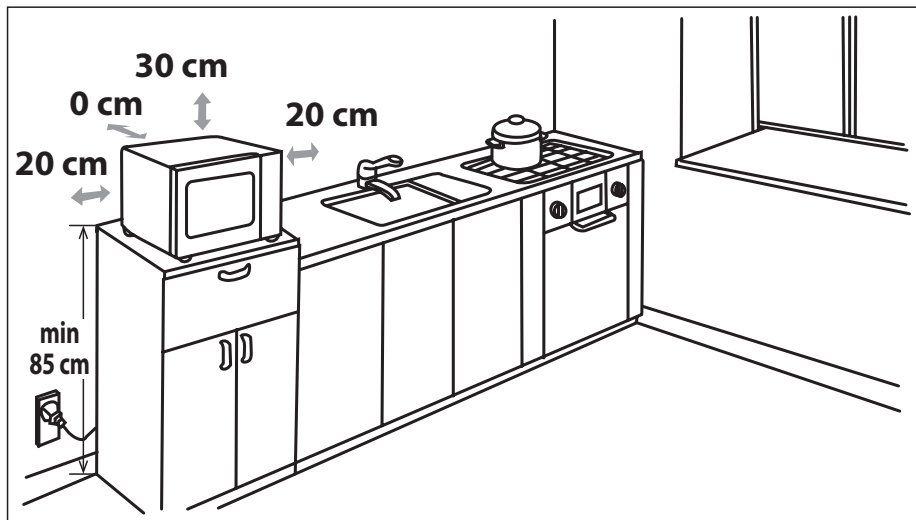
## INSTALACIÓN

1. Retire todos los materiales de embalaje del interior del horno y retire cualquier película protectora que se encuentre en la superficie de la carcasa del horno microondas.
2. Revise detenidamente el horno para detectar cualquier signo de avería.
3. Coloque el horno en una superficie nivelada segura, lo suficientemente firme como para que pueda soportar el peso del horno, sumándole el artículo más pesado posible para cocinar en el horno. No coloque el horno en un armario.
4. Seleccione una superficie nivelada que proporcione suficiente espacio abierto para la toma de aire o rejillas de ventilación de salida. Consulte la imagen de la primera página.

La superficie posterior del aparato se puede colocar contra la pared.

- La altura mínima de la instalación es de 85 cm.
- Se requiere un espacio mínimo de 20 cm entre las paredes del horno y las paredes u objetos adyacentes.
- Deje un espacio de 30 cm como mínimo por encima del horno.
- No quite las patas de la parte inferior del horno.
- Bloquear los orificios de entrada y/o de salida puede averiar el horno.
- Sitúe el horno lo más alejado de la radio y la televisión como sea posible. El funcionamiento del

horno de microondas puede provocar interferencias en la recepción de radio o TV.



5. Conecte de forma segura el enchufe del horno a una toma de corriente eléctrica estándar conectada a tierra.

**ADVERTENCIA:** No coloque el horno donde se genere calor, vaho o mucha humedad, (por ejemplo, cerca o encima de un horno convencional) o cerca de materiales combustibles (por ejemplo, cortinas). No bloquee ni obstruya los orificios de ventilación de aire.

No coloque objetos encima del horno.

No toque el exterior del microondas cuando esté en funcionamiento o poco después de utilizarlo porque estará caliente.

# ESPECIFICACIONES

Nombre del modelo		YC-GC52FE
Voltaje de línea de CA		230-240 V~, 50 Hz monofásico
Fusible/interruptor del circuito de la línea de distribución		10 A
Potencia de CA requerida		1400 W
Potencia de salida:	Microondas	900 W
	Grill	1200 W
	Convención	2050 W
	En espera	< 1,0 W
	Modo de ahorro de energía	< 0,5 W
Frecuencia de microondas		2450 MHz*
Dimensiones exteriores (An) x (Al) x (P) mm		490 x 287 x 495
Dimensiones de la cavidad (An) x (Al) x (P)** mm		330 x 220 x 335
Capacidad del horno		25 litros**
Parrilla		∅ 220 mm, Al: 85 mm
Bandeja para hornear		∅ 280 mm, Al: 49 mm
Peso		aprox. 18,6 kg
Bombilla de horno (tipo LED)		1,5 W

\* - Este producto cumple los requisitos de la norma europea EN55011. De conformidad con esta norma, este producto se clasifica como equipo de grupo 2 clase B.

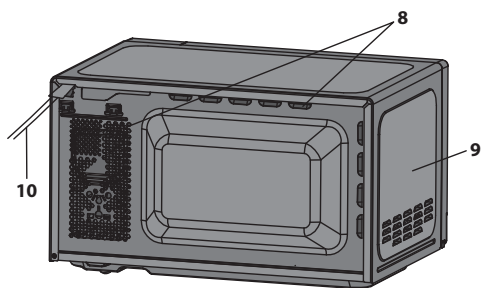
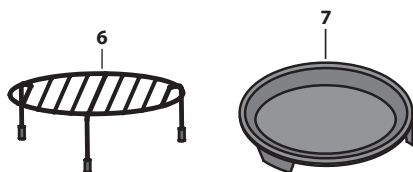
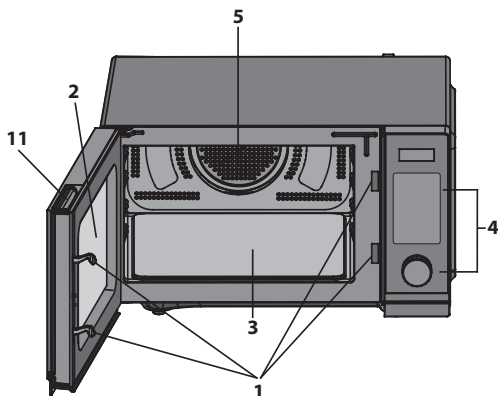
Grupo 2 significa que el equipo genera energía de radiofrecuencia intencionadamente en forma de radiación electromagnética para el tratamiento térmico de los alimentos. Clase B significa que el equipo se puede usar en entornos domésticos.

\*\* - La capacidad interna se calcula midiendo la anchura, la profundidad y la altura máxima. La capacidad real de almacenaje de alimentos es inferior.

COMO PARTE DE UNA POLÍTICA DE MEJORA CONTINUA, NOS RESERVAMOS EL DERECHO DE CAMBIAR EL DISEÑO SIN PREVIO AVISO.

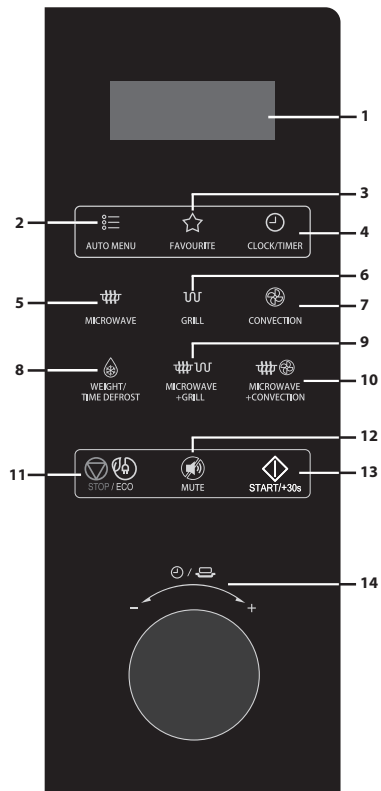
# HORNO Y ACCESORIOS

1. Sistema de bloqueo de seguridad de la puerta
2. Ventana del horno
3. Placa base de la cavidad
4. Panel de control
5. Grill
6. Parrilla
7. Bandeja para hornear
8. Orificios de ventilación
9. Mueble exterior
10. Cable de alimentación
11. Asa de apertura



# PANEL DE CONTROL

- 1. PANTALLA:** se muestra el tiempo de cocción, la potencia, el reloj e indicadores
- 2. AUTO MENU:** pulse para seleccionar el menú de cocción automática.
- 3. FAVORITO:** permite almacenar programas
- 4. CLOCK/TIMER:** permite establecer la hora y la función de temporizador.
- 5. MICROWAVE:** pulse para seleccionar el nivel de potencia del microondas.
- 6. GRILL:** pulse para establecer el programa de cocción del grill.
- 7. CONVECTION:** pulse para establecer el programa de cocción por convección.
- 8. WEIGHT/TIME DEFROST:** pulse una vez para descongelar en función del peso. Pulse dos veces para descongelar en función del tiempo.
- 9. MICROWAVE+GRILL:** pulse para establecer el programa de cocción combinada de microondas y grill.
- 10. MICROWAVE+CONVECTION:** pulse para establecer el programa de cocción combinada de microondas y convección
- 11. STOP/ECO:** pulse una vez para detener temporalmente la cocción o dos veces para cancelar la cocción completamente. Permite establecer el modo de ahorro de energía.
- 12. MUTE:** pulse una vez para establecer la función de silencio pulse de nuevo para desactivar la función de silencio. Mantenga pulsado (durante 3 segundos) para activar la función de bloqueo para niños. Mantenga pulsado para desactivarla.
- 13. START/+30s:** pulse para iniciar los programas para preparar alimentos y descongelar. Pulse varias veces simplemente para establecer el tiempo de cocción y cocine inmediatamente a potencia máxima.
- 14. TIME/WEIGHT (perilla):** gire para establecer el tiempo, el peso de los alimentos o las raciones.



## ANTES DE USAR

- Al enchufar el horno por primera vez, sonará un pitido y la pantalla mostrará "1:01".
- En el modo de configuración, si no se pulsa ningún botón durante 30 segundos, la unidad entrará en modo en espera.
- Durante la cocción, pulse el botón **STOP/ECO** una vez para poner en pausa el programa y luego pulse el botón **START/+30s** para reanudarlo. Si se pulsa el botón **STOP/ECO** dos veces, el programa se cancelará.
- Cuando el ciclo de cocción se haya completado, la pantalla mostrará **End (Fin)** y se oír un pitido cada dos minutos hasta que se abra la puerta o se pulse un botón.

## AJUSTE DEL RELOJ

Para ajustar el reloj, siga las instrucciones indicadas a continuación:

1. En modo en espera, mantenga pulsado el botón **CLOCK/TIMER** durante 3 segundos para seleccionar el reloj de 12 horas; pulse de nuevo el botón para seleccionar el reloj de 24 horas.
2. Gire la perilla **TIME/WEIGHT** para establecer el dígito de la hora.
3. Pulse **START/+30s** una vez.
4. Gire la perilla **TIME/WEIGHT** para establecer el dígito de los minutos.
5. Pulse el botón **CLOCK/TIMER** para confirmar.

## COCCIÓN EXPRÉS

Utilice esta función para programar el horno en modo de potencia máxima. En modo en espera, pulse el botón **START/+30s** varias veces para establecer la hora de cocción (cada pulsación aumenta 30 segundos, hasta un máximo de 10 minutos). El horno se iniciará automáticamente.

## COCINAR CON MODO DE MICROONDAS

1. En el modo en espera, pulse el botón repetidamente **MICROWAVE** para seleccionar el nivel de potencia.
2. Gire la perilla **TIME/WEIGHT** para establecer el tiempo de cocción. El máximo es de 95 minutos.
3. Pulse repetidamente **START/+30s** para confirmar.

Pulse repetidamente **MICROWAVE** para seleccionar el nivel de potencia.

Pulse el botón MICROWAVE	Potencia (pantalla)	Pulse el botón MICROWAVE	Potencia (pantalla)
Una vez	100 % (P100)	7 veces	40 % (P-40)
Dos veces	90 % (P-90)	8 veces	30 % (P-30)
3 veces	80 % (P-80)	9 veces	20 % (P-20)
4 veces	70 % (P-70)	10 veces	10 % (P-10)
5 veces	60 % (P-60)	11 veces	0 % (P-00)
6 veces	50 % (P-50)		

**NOTA:** Durante la cocción, puede comprobar la potencia pulsando el botón **MICROWAVE**.

## GRILL

La preparación de alimentos con el grill resulta especialmente útil para filetes de carne, costillas, kebabs, salchichas y piezas de pollo. También es adecuado para preparar sándwiches calientes y platos gratinados.

1. En modo en espera, pulse el botón **GRILL** una vez.
2. Gire la perilla **TIME/WEIGHT** para establecer el tiempo de cocción. El máximo es de 95 minutos.
3. Pulse el botón **START/+30s** para empezar.

## MICROONDAS + GRILL

**Combinación 1:** 30 % del tiempo en cocción al microondas, 70% del tiempo en cocción al grill. Utilice este modo para pescado y para gratinar.

**Combinación 2:** 55 % del tiempo en cocción al microondas, 45 % del tiempo en cocción al grill. Utilice este modo para púdines, tortillas y carne de ave.

1. En modo en espera, pulse el botón **MICROWAVE+GRILL** una o dos veces para seleccionar "Co-1" o "Co-2".
2. Gire la perilla **TIME/WEIGHT** para establecer el tiempo de cocción. El máximo es de 95 minutos.
3. Pulse el botón **START/+30s** para empezar.

**NOTA:** Durante la cocción, puede comprobar el modo de combinación pulsando el botón **MICROWAVE+GRILL**.

## CONVECCIÓN

Durante la cocción por convección, el aire caliente circula a través de la cavidad del horno para dorar y preparar alimentos crujientes de forma rápida y uniforme. Este horno puede programarse a 13 temperaturas de cocción diferentes (230 °C, 220 °C, 210 °C, 200 °C, 190 °C, 180 °C, 170 °C, 160 °C, 150 °C, 140 °C, 130 °C, 120 °C y 110 °C).

**Para precalentar y cocer con ayuda de la función por convección, siga las instrucciones siguientes:**

Este horno se puede programar para combinar las funciones de precalentamiento y cocción por convección.

1. En el modo en espera, pulse repetidamente el botón **CONVECTION** para seleccionar la temperatura por convección.
2. Pulse el botón **START/+30s** para empezar. El horno emitirá varios pitidos cuando alcance la temperatura designada.
3. Abra el horno y coloque el centro de la parte inferior de la cavidad.
4. Gire la perilla **TIME/WEIGHT** para establecer el tiempo de cocción. El máximo es de 95 minutos.
5. Pulse el botón **START/+30s** para empezar.

**NOTA:** El horno pitará cada dos segundos cuando se alcance la temperatura de precalentamiento. La temperatura de precalentamiento se mantendrá durante 30 minutos.

## MICROONDAS + CONVECCIÓN

El modo Microondas + Convección facilita y agiliza la cocción.

Esta función cuenta con cuatro ajustes predefinidos:

230 °C: este modo es adecuado para carne de cierto grosor y difícil de cocer, como pollo (entero, muslos o alas)

200 °C: este modo se puede utilizar para carne con corte fino que se hace más rápido, como pescado o filetes.

170 °C y 140 °C: estos modos son adecuados para carne en lonchas y alimentos semicocinados, por ejemplo, beicon y salchichas.

1. En el modo en espera, pulse repetidamente el botón **MICROWAVE+CONVECTION** para seleccionar la temperatura de convección (230 °C, 200 °C, 170 °C, 140 °C).
2. Gire la perilla **TIME/WEIGHT** para establecer el tiempo de cocción. El máximo es de 95 minutos.
3. Pulse el botón **START/+30s** para empezar.

**NOTA:** Durante la cocción, puede comprobar la temperatura de convección pulsando el botón **MICROWAVE+CONVECTION**.

## DESCONGELAR POR PESO

1. En el modo en espera, pulse una vez el botón **WEIGHT/TIME DEFROST**.
2. Gire la perilla **TIME/WEIGHT** para establecer el peso de los alimentos. El peso abarca entre 100 g y 2000 g.
3. Pulse el botón **START/+30s** para confirmar.

**NOTE:** Durante el proceso de descongelado, el sistema se detendrá y emitirá un sonido para avisarle de que de la vuelta a los alimentos. Tras ello, pulse el botón **START/+30s** para reanudar la operación.



Tabla para descongelar por peso

<b>Peso (kg)</b>	0,1	0,2	0,3	0,4	0,5	0,6	0,7	0,8	0,9	1,0	1,1	1,2	1,3	1,4	1,5	1,6	1,7	1,8	1,9	2,0
<b>Tiempo [min]</b>	3	5	7	9	11	13	15	17	19	21	23	25	27	29	31	33	35	37	39	41

## DESCONGELAR POR TIEMPO

1. En el modo en espera, pulse dos veces el botón **WEIGHT/TIME DEFROST**.
  2. Gire el botón **TIME/WEIGHT** para establecer el tiempo para descongelar. El tiempo máximo es 95 minutos.
  3. Pulse el botón **START/+30s** para confirmar.
- NOTA:** Cuando se usa la función para descongelar por tiempo, el horno funcionará al 40 % de potencia y, luego, al 30 %, en cuyo punto se detendrá para permitir abrir la puerta y dar la vuelta a los alimentos. Al reiniciar la cocción con la pulsación del botón **START/+30s**, el horno cocinará al 20 % de potencia.

## TEMPORIZADOR DE COCINA

1. Pulse una vez el botón **CLOCK/TIMER**.
  2. Gire el botón **TIME/WEIGHT** para establecer el tiempo de deseado. El tiempo máximo es 95 minutos.
  3. Pulse el botón **START/+30s** para confirmar.
- Para cancelar el programa del temporizador, pulse el botón **STOP/ECO** y la pantalla mostrará el tiempo.

## FUNCIÓN FAVORITA

Hay tres ajustes favoritos en esta función, cada uno de los cuales puede establecerse con secuencias de cocción de 1.

### Para almacenar:

1. En el modo en espera, pulse una, dos o tres veces el botón **FAVOURITE**.
2. Introduzca el programa de cocción deseado (incluida la cocción en varias fases).
3. Pulse el botón **START/+30s** para confirmar.

### Para empezar:

1. En el modo en espera, pulse una, dos o tres veces el botón **FAVOURITE** para seleccionar el programa de cocción.
2. Pulse el botón **START/+30s** para empezar.

### Para borrar:

En el modo en espera, pulse una, dos o tres veces el botón **FAVOURITE**.

Mantenga pulsado el botón **FAVOURITE** durante 3 segundos. La pantalla mostrará "CL" durante 5 segundos y el horno volverá al modo en espera.

### NOTA:

- Solo se almacenarán los modos microondas, grill, convección, microondas y grill, microondas y convección.
- La programación de la función de favoritos se conservará en memoria incluso si se desconecta el aparato de la corriente.
- Solo se pueden guardar tres programas favoritos. Si desea cambiar uno, bórrelo.
- Si el contenido de la función de favoritos está vacío, el código parpadeará. Si hay contenido en los favoritos, el código se mostrará siempre.

## FUNCIÓN DE AHORRO DE ENERGÍA

**Para establecer:** en el modo en espera, mantenga pulsado el botón **STOP/ECO** durante 3 segundos. La pantalla se apagará y el horno entrará en modo de ahorro de energía.

**Para cancelar:** en el modo de ahorro de energía, la función puede cancelarse pulsando cualquier botón o abriendo y cerrando una vez la puerta del horno.

## FUNCIÓN DE SILENCIO

Para establecer la función de silencio, pulse una vez el botón **MUTE**. La pantalla mostrará "**OFF**" durante 3 segundos. En el modo silencio, el aparato no emitirá ningún sonido al pulsar los botones. Para cancelar la función de silencio, pulse una vez el botón **MUTE**. La pantalla mostrará "**On**" durante 3 segundos.

## BLOQUEO PARA NIÑOS:

1. Para establecer la función de bloqueo para niños, mantenga pulsado el botón **MUTE** durante 3 segundos. Se oirá un pitido largo, la pantalla mostrará "**LOC**" y el horno estará en modo de bloqueo para niños. En este modo, la pantalla mostrará el reloj. Si se pulsa algún botón o se abre la puerta se mostrará "**LOC**" en la pantalla durante diez segundos.
2. Para cancelar la función de bloqueo para niños, mantenga pulsado el botón **MUTE** durante 3 segundos hasta que suene un pitido largo.

## BLOQUEO DE SEGURIDAD

Se utiliza para prevenir que los niños pongan en funcionamiento del horno sin supervisión.

**Para establecer:** en el modo en espera, si no se realiza ninguna acción durante un minuto, el horno entrará en modo de bloqueo de seguridad y el indicador luminoso de bloqueo se encenderá. En estado de bloqueo, se desactivan todos los botones. Si se pulsa un botón cualquiera, aparecerá la indicación de bloqueo en la pantalla durante 5 segundos para recordar al usuario que cancele el bloqueo de seguridad.

Para desactivar el cierre de seguridad, simplemente abra la puerta del microondas; el teclado numérico se volverá a activar y el indicador luminoso del bloqueo se apagará.

## MECANISMO DE PROTECCIÓN AUTOMÁTICO

**PROTECCIÓN CONTRA SOBRECALENTAMIENTO:** si el horno siente una alta temperatura, la pantalla mostrará "**E01**" y dejará de funcionar. Este estado se puede cancelar pulsando el botón **STOP/ECO**.

**PROTECCIÓN CONTRA BAJA TEMPERATURA:** si el horno entra en modo de protección de baja temperatura, la pantalla mostrará "**E02**" y dejará de funcionar. Este estado se puede cancelar pulsando el botón **STOP/ECO**.

**PROTECCIÓN POR AVERÍA DE UN SENSOR:** si el sensor detecta un problema con uno de los sensores, la pantalla mostrará "**E03**" o "**E04**" y el horno dejará de funcionar. Asimismo, el horno emitirá un tono de advertencia. Este estado se puede cancelar pulsando el botón **STOP/ECO**.

## COCCIÓN AUTOMÁTICA

Para alimentos en el siguiente modo de cocción, no es necesario programar el tiempo ni la potencia. Basta con indicar el tipo de alimento que desea preparar, así como el peso o el número de raciones del alimento.

1. En el modo en espera, pulse repetidamente el botón **AUTO MENU** para seleccionar el código del menú.
2. Gire la perilla **TIME/WEIGHT** para establecer el alimento o las raciones.
3. Pulse el botón **START/+30s** para empezar.

**Menús de cocción automática:**

Código	Alimento	Nota
A-01	Bebida (200 ml/taza, de 1 a 3 tazas)	<p><b>1.</b> Para las opciones "A07" a "A09" y "A-13", el horno hará una pausa y emitirá un sonido para recordar al usuario que dé la vuelta a los alimentos; a continuación, pulse el botón <b>START/+30s</b> para reanudar la cocción.</p> <p><b>2.</b> Al usar la función de cocción automática, los alimentos pueden no quedar como se esperaba. Esto puede deberse a varios motivos, como la preferencia personal, el tamaño o la forma de los alimentos, la temperatura ambiente, las variaciones de tensión, la disposición correcta del alimento sobre la base del horno, etc. Si el resultado no es de su gusto, ajuste el tiempo adecuadamente para corregirlo.</p>
A-02	Patatas asadas (230 ±10 g/ración, de 1 a 2 raciones)	
A-03	Verduras (200 - 600 g)	
A-04	Recalentar automáticamente (200 - 800 g)	
A-05	Sopa (300 ml/cuenco, de 1 a 3 cuencos)	
A-06	Arroz (150 - 600 g)	
A-07	Carne asada/cordero (200 - 600 g)	
A-08	Pescado asado (200 - 600 g)	
A-09	Bacon asado (100 g, 200 g y 300 g)	
A-10	Patatas fritas al horno (200 g)	
A-11	Pizza (150 g, 300 g y 450 g)	
A-12	Pastel (475 g)	
A-13	Pollo asado (800 - 1400 g)	

## LIMPIEZA Y MANTENIMIENTO

1. Apague el horno y desconecte el cable de la toma de corriente cuando vaya a limpiarlo.
2. Mantenga limpia la parte interior del horno. Limpie con un paño húmedo las paredes del horno si se producen salpicaduras de alimentos o se derraman líquidos. Se pueden utilizar detergentes suaves si el horno se ensucia mucho. Evite utilizar limpiadores duros o aerosoles, pues podrían dejar manchas, rayar o deslustrar la superficie de la puerta.
3. La parte exterior del horno debe limpiarse con un paño húmedo. Para evitar dañar los componentes internos del horno, no debe filtrarse agua a través de las aperturas de ventilación.
4. Limpie frecuentemente la puerta y la ventana en ambos lados, las juntas de la puerta y las partes adyacentes con un paño húmedo para eliminar derramamientos y salpicaduras. No utilice un limpiador abrasivo.
5. No limpie al vapor.
6. No permita que el panel de control se humedezca. Limpie con un paño suave y húmedo. Cuando limpie el panel de control, deje abierta la puerta para evitar que el horno se encienda accidentalmente.
7. Si se acumula calor dentro o alrededor de la puerta del horno, límpielo con un paño suave. Esto puede ocurrir si el horno es utilizado en entornos de alta humedad. No se trata de un fallo.
8. La parte inferior interna del horno debe limpiarse regularmente para evitar contaminación y posibles arcos voltaicos o daños. Limpie simplemente la superficie inferior del horno con un detergente suave.
9. Elimine los olores del horno mezclando una taza de agua con el zumo y la piel de un limón en un cuenco adecuado para microondas. Caliente durante 5 minutos. A continuación, limpie y seque bien con un paño suave.
10. Si la bombilla deja de iluminar, póngase en contacto con el servicio técnico para recabar consejo.
11. El horno debe limpiarse de manera regular y se deben eliminar todos los depósitos de alimentos. No mantener el horno limpio podría dar lugar a un deterioro de la superficie, y podría afectar negativamente a la vida útil del aparato y originar situaciones de peligro.
12. No elimine este electrodoméstico en la basura doméstica. Este aparato debe eliminarse en el centro pertinente habilitado por el municipio.
13. Si se utiliza el horno con la función de grill en primer lugar, puede producirse un humo ligero y puede despedir cierto olor. Esto es normal y se debe a que el horno está fabricado en placa de aluminio revestida de lubricante, y los hornos nuevos producirán humos y olores resultantes de la combustión de lubricante. Este fenómeno desaparecerá transcurrido cierto tiempo de uso.

# UTENSILIOS ADECUADOS PARA EL HORNO

Para cocinar o descongelar los alimentos en un horno microondas, la energía de microondas debe ser capaz de pasar por el contenedor para penetrar en los alimentos. Por lo tanto, es importante escoger un recipiente adecuado. Los moldes redondos u ovalados son preferibles a los cuadrados o rectangulares, ya que los alimentos en las esquinas pueden cocinarse demasiado. Se puede utilizar una variedad de utensilios de cocina como se enumeran a continuación.

Utensilios de cocina	Apto para microondas	Grill/ Convección	Comentario
Papel de aluminio Los recipientes de aluminio	✓ / X	✓	Se pueden utilizar trozos pequeños de papel de aluminio para proteger los alimentos contra el sobrecalentamiento. Mantenga el papel al menos a 2 cm de distancia de las paredes del horno, ya que puede producirse arco eléctrico. Los recipientes de aluminio no son recomendables a menos que los especifique el fabricante, por ejemplo, Microfoil®, siga las instrucciones cuidadosamente.
Platos para dorar	✓ / X	X	Siempre siga las instrucciones del fabricante. No exceder los tiempos de calentamiento que se indican. Tenga mucho cuidado ya que estos platos se calientan mucho.
Porcelana y cerámica	✓ / X	X	Los utensilios de porcelana, cerámica, loza de barro esmaltada y porcelana fina son generalmente adecuados, a excepción de aquellas con decoración metálica.
Cristalería, por ejemplo, Pyrex®	✓	✓	Se debe tener cuidado si se utiliza cristalería fina, ya que puede romperse o agrietarse si se calienta bruscamente.
Metal	X	✓	No se recomienda usar utensilios de metal, ya que crearían un arco eléctrico y provocar un incendio.
Plástico/poliestireno, por ejemplo recipientes de comida rápida	✓	X	Se debe tener cuidado con algunos recipientes, ya que pueden deformarse, derretirse o descolorarse con las altas temperaturas.
Film transparente	✓	X	No se deben tocar los alimentos y deben perforarse para permitir dejar salir el vapor.
Bolsas para congelar/ asar	✓	X	Se deben perforar para dejar salir el vapor. Asegúrese de que las bolsas son adecuadas para su uso en microondas.
Platos de papel, tazas y papel de cocina	✓	X	No utilice ataduras de plástico o metal, ya que pueden derretirse o incendiarse debido al 'arco eléctrico'.
Recipientes de madera y paja	✓	X	Utilizar únicamente para calentar o para absorber la humedad. Se debe tener cuidado ya que el sobrecalentamiento puede provocar un incendio.
Papel reciclado y periódicos	X	✓	Vigile siempre el horno cuando se utilizan estos materiales ya que el sobrecalentamiento puede ocasionar un incendio. Puede contener extractos de metal que pueden causar "arco eléctrico" y puede provocar un incendio.



**ADVERTENCIA: Al calentar alimentos en recipientes de papel o plástico, vigile el horno debido a la posibilidad de ignición.**

**NOTA:** No deje el horno sin atender mientras lo usa.

## CONSEJOS PARA COCINAR CON EL MICROONDAS

Los microondas preparan los alimentos de manera más rápida que los métodos convencionales de cocina. Por lo tanto, es muy importante seguir unas técnicas determinadas para garantizar unos buenos resultados. Muchas de las técnicas siguientes se parecen a las que se usan en los métodos convencionales de cocina.

**⚠ ADVERTENCIA: Los líquidos y alimentos no deben calentarse en recipientes sellados ni en tarros o recipientes con la tapa puesta, ya que se acumulará presión en el interior, lo que podría provocar la explosión del recipiente o tarro.**

### NOTAS SOBRE LOS CONSEJOS PARA COCINAR:

- Vigile siempre el horno mientras lo utiliza.
- Asegúrese de que los utensilios sean adecuados para hornos microondas.
- Consulte los cuadros en la sección del manual de preparación de alimentos para ver los tiempos de cocción recomendados y los niveles de potencia.
- No coloque alimentos o utensilios calientes sobre un plato giratorio frío, ni alimentos o utensilios fríos sobre la parte inferior caliente.
- Utilice exclusivamente palomitas para microondas en el envase recomendado (siga las instrucciones del fabricante). Nunca debe utilizar aceite, a menos que el fabricante así lo indique, y nunca debe preparar las palomitas durante más tiempo del recomendado.

**⚠ ADVERTENCIA: Siga en todo momento las indicaciones del manual de instrucciones de SHARP. Si supera los tiempos de cocción recomendados y utiliza niveles de potencia demasiado altos, los alimentos se podrían calentar en exceso o quemar, y en situaciones extremas podrían incendiarse y dañar el horno.**

### Colocar

Coloque las partes más gruesas de los alimentos hacia el exterior del plato, p. ej., los muslos de pollo.

Los alimentos que se colocan hacia el exterior del plato reciben más energía y, por lo tanto, se cocinan más rápidamente que los alimentos colocados en el centro.

### Tapar

Algunos alimentos se cocinan mejor en el microondas si se tapan.

Utilice film transparente ventilado de adherencia o una tapa adecuada.

### Perforar

Los alimentos con cáscara, piel o membrana se deben perforar en varios puntos antes de cocinarlos o recalentarlos, ya que, de lo contrario, se acumularía vapor y podrían explotar. Por ejemplo, de las patatas, el pescado, el pollo y las salchichas.

**NOTA:** Los huevos no deben calentarse en el microondas porque podrían explotar, incluso después de prepararse, p. ej., huevos escalfados, fritos o duros.

### Remover, girar y volver a colocar

Para conseguir una cocción uniforme es muy importante remover, girar y volver a colocar los alimentos durante la cocción. Siempre debe remover y volver a colocar desde el exterior hacia el centro.

### Reposo

Deje un periodo de reposo tras la cocción para permitir que el calor se disperse de manera uniforme a través de todos los alimentos.

<b>Características de los alimentos</b>	
<b>Composición</b>	Los alimentos con un contenido alto en grasa o azúcares (p. ej., púdinges o pasteles rellenos) requieren menos tiempo para calentarse. Se debe tener cuidado con ellos, ya que el sobrecalentamiento puede provocar un incendio. Los huesos de los alimentos son conductores de calor y hacen que los alimentos se cocinen más rápidamente. Se debe tener cuidado para que los alimentos se cocinen de manera uniforme.
<b>Densidad</b>	La densidad de los alimentos influye en el tiempo de cocción necesario. Los alimentos ligeros o porosos, como los bizcochos o el pan, se cuecen más rápidamente que los alimentos pesados y densos, como los asados de carne y los guisos.
<b>Cantidad</b>	El número de microondas del horno es el mismo, sea cual sea la cantidad de alimentos que se esté cocinando. Se debe aumentar el tiempo de cocción a medida que aumente la cantidad de alimentos; por ejemplo, cuatro patatas tardan más tiempo en cocinarse que dos.
<b>Tamaño</b>	Los alimentos y los trozos pequeños se cocinan más rápidamente que los grandes, ya que las microondas pueden penetrar desde todos los lados hacia el centro. Para conseguir una cocción uniforme, prepare todos los alimentos con el mismo tamaño.
<b>Forma</b>	Los alimentos de forma irregular, como las pechugas o los muslos de pollo, tardan más tiempo en cocinarse en las partes más gruesas. Para conseguir una cocción uniforme, coloque las partes más gruesas en el exterior del plato, donde recibirán más energía. Las formas redondas se cocinan en el microondas de manera más uniforme que las cuadradas.
<b>Temperatura de los alimentos</b>	La temperatura inicial de los alimentos influye en el tiempo de cocción necesario. Los alimentos fríos tardan más tiempo en cocinarse que los alimentos a temperatura ambiente; La temperatura del recipiente no es un parámetro fiable de la temperatura del alimento o la bebida. Haga cortes en los alimentos rellenos, por ejemplo, un donut relleno de mermelada, para liberar el calor o el vapor.



**ADVERTENCIA: Rostro y manos: utilice siempre guantes de horno para retirar los alimentos o recipientes del horno. Apártese al abrir la puerta del horno para que se disperse el calor o vapor. Al quitar un recubrimiento (por ejemplo, film transparente) o al abrir bolsas de asado o envases de palomitas, aparte el rostro y las manos de la dirección del vapor.**



**ADVERTENCIA: Compruebe la temperatura de los alimentos y bebidas, y remueva antes de servir. Tenga mucho cuidado con los alimentos para bebés, niños o personas mayores. Debe remover o agitar el contenido de los biberones y los tarros de comida para bebés, y debe comprobar la temperatura de los alimentos antes de consumirlos, para evitar quemaduras.**

## CONSEJOS PARA DESCONGELAR

Usar el microondas es el método para descongelar más rápido. Es un proceso sencillo, pero es muy importante que siga las instrucciones que se indican a continuación para garantizar que los alimentos se descongelen bien.

- Retire todos los envases y envoltorios antes de descongelar.
- Para descongelar alimentos, utilice los niveles de potencia del microondas 30P o 10P.
- Consulte a continuación para obtener más información.

### **Recolocar**

Los alimentos colocados hacia el exterior del plato se descongelan más rápidamente que los alimentos colocados en el centro. Por lo tanto, es muy importante recolocar los alimentos hasta cuatro veces durante el descongelado.

Mueva los trozos que estén muy encajados desde el exterior hacia el centro, y recoleque las partes que se solapan. De esta manera, todas las partes de los alimentos se descongelarán de manera uniforme.

### **Separar**

Los alimentos pueden quedarse pegados al sacarlos del congelador. Es importante separar los alimentos lo antes posible durante el descongelado,

p. ej., tiras de beicon o filetes de pollo.

### **Cubrir**

Algunas partes de los alimentos que se estén descongelando pueden calentarse. Para evitar que se calienten demasiado y empiecen a cocinarse, se pueden cubrir con papel de aluminio, que reflejan las microondas; p. ej., las patas y las alas de pollo.

### **Reposo**

Un tiempo de reposo es necesario para garantizar que los alimentos se descongelen bien.

El descongelación no finaliza una vez que se retiran los alimentos del horno microondas. Los alimentos deben permanecer, tapados, durante un tiempo para garantizar que el centro se descongele completamente.

### **Girar**

Es muy importante girar todos los alimentos al menos cuatro veces durante el proceso de descongelación. Esto es importante para garantizar una descongelación adecuada.

# CONSEJOS PARA RECALENTAR

Para recalentar alimentos, siga las instrucciones y recomendaciones que se indican a continuación, para garantizar que los alimentos se hayan calentado bien antes de servirlos.

## Platos de comida

Retire cualquier pieza de ave o carne roja, y caliente esas piezas por separado (véase más abajo).

Coloque los trozos más pequeños en el centro del plato y los trozos más grandes y gruesos en el borde. Cubra los alimentos con film transparente ventilado para microondas y recalíentelos a nivel 50P. Remueva o recoloque los alimentos cuando haya transcurrido la mitad del tiempo.

**NOTA:** Asegúrese de que los alimentos se hayan calentado bien antes de servirlos.

## Carne en lonchas

Tape la carne con film transparente ventilado para microondas y caliente a nivel 50P. Recolecte la carne al menos una vez para garantizar que se caliente de manera uniforme.

**NOTA:** Asegúrese de que la carne se haya calentado bien antes de servirla.

## Porciones de ave

Coloque las partes más gruesas de las porciones en el exterior del plato, cúbralas con film transparente ventilado para microondas y caliente a nivel 70P.

Dé la vuelta hacia la mitad del proceso de calentamiento.

**NOTA:** Asegúrese de que la carne de ave se haya calentado bien antes de servirla.

## Guisos

Cubra con film transparente ventilado para microondas o con una tapa adecuada y caliente a nivel 50P.

Remueva con frecuencia para garantizar que los alimentos se calienten de manera uniforme.

**NOTA:** Asegúrese de que los alimentos se hayan calentado bien antes de servirlos.

Para conseguir los mejores resultados al recalentar, seleccione un nivel de potencia de microondas adecuado para el tipo de alimento. Por ejemplo, un plato de verduras se puede calentar a nivel 100P, mientras que una lasaña, que contiene ingredientes que no se pueden remover, se debe calentar a nivel 50P.

### NOTAS:

- Antes de recalentar los alimentos, sáquelos de los recipientes metálicos o del papel de aluminio.
- En el tiempo de recalentamiento influyen la forma, la profundidad, la cantidad y la temperatura de los alimentos, así como el tamaño, la forma y el material del recipiente.



**ADVERTENCIA: No caliente nunca líquidos en recipientes de boca estrecha, ya que el contenido podría salir a chorros del recipiente y causar quemaduras.**

- Para evitar que los alimentos se calienten demasiado e incendios, se debe prestar atención especialmente al preparar o recalentar alimentos con un contenido alto de azúcar o grasa, por pasteles rellenos o púdines.
- Nunca debe calentar aceite o grasa para freír, ya que se podrían producir un calentamiento excesivo y fuego.
- las patatas en conserva no se deben calentar en un horno microondas; siga las instrucciones del envase.



**ADVERTENCIA: El contenido de biberones y tarros de comida para bebés se debe remover o agitar, y hay que comprobar la temperatura de los alimentos antes de consumirlos, para evitar quemaduras.**



## RESOLUCIÓN DE PROBLEMAS

Si cree que el horno no funciona correctamente, puede llevar a cabo unas sencillas comprobaciones antes de llamar a un técnico. De esta forma, puede evitar llamadas innecesarias al servicio, en caso de que el fallo se deba a algo sencillo.

Siga estas sencillas comprobaciones:

Coloque una taza de agua en la base del horno y cierre la puerta. Programe el horno para funcionar durante 1 minuto a potencia 100P del microondas.

1. ¿Se enciende la lámpara del horno cuando el agua cuece?
2. ¿Funciona el ventilador de refrigeración? (Compruébelo colocando la mano sobre las salidas de ventilación).
3. Transcurrido 1 minuto, ¿suena la señal acústica?
4. ¿Está caliente el agua de la taza?  
Saque la taza de agua del horno y cierre la puerta. Programe el horno para cocer durante 3 minutos con ayuda del grill.
5. Transcurridos 3 minutos, ¿se vuelve rojo el elemento calentador del grill?  
Si la respuesta a alguna de estas preguntas es negativa, compruebe primero que el horno está enchufado correctamente y que el fusible no se ha fundido. Si el cable está correctamente enchufado y el fusible no se ha fundido, consulte la tabla de resolución de problemas siguiente.



**ADVERTENCIA: Nunca ajuste, repare o modifique el horno por su cuenta. Para cualquier persona que no tenga los conocimientos adecuados, es peligroso llevar a cabo una operación de mantenimiento o reparación. Esto es importante ya que puede requerir la retirada de cubiertas que proporcionan protección contra la energía de microondas.**

- La junta de la puerta evita que se filtren líquidos del microondas durante el funcionamiento del horno, pero no ofrece un sellado hermético. Es normal observar gotas de agua, luz o sentir aire caliente alrededor de la puerta del horno. Los alimentos con un alto contenido de humedad despedirán vapor o generarán condensación dentro de la puerta, lo que puede formar gotas fuera del horno.
- Reparaciones y modificaciones: no intente utilizar el microondas si no funciona correctamente.
- Carcasa exterior y acceso a la lámpara: no retire nunca la carcasa exterior. Esto es muy peligroso debido a las piezas de alta tensión internas, que no deben tocarse nunca, porque su contacto podría causar la muerte. El horno no integra una cubierta de acceso a la lámpara. Si la lámpara falla, no intente sustituirla. Llame al servicio técnico homologado de SHARP.

## TABLA DE RESOLUCIÓN DE PROBLEMAS

CONSULTA	RESPUESTA
Corrientes de aire alrededor de la puerta.	Cuando el horno está en funcionamiento, el aire circula alrededor de la cavidad. La puerta no está sellada herméticamente, por lo que el aire puede escaparse.
En el horno se forma condensación y puede dar lugar a la formación de gotas en la puerta.	Por lo general, la cavidad del horno estará más fría que los alimentos cocinados; por lo tanto, el vapor generado al cocinar se condensará en la superficie más fría. La cantidad de vapor generado depende del contenido en agua del alimento preparado. Algunos alimentos, como las patatas, tienen un gran contenido en humedad. La condensación atrapada en el cristal de la puerta se disipará en unas horas.
Se observan destellos y arcos voltaicos en la cavidad al cocinar	Se producen arcos voltaicos cuando un objeto metálico se sitúa cerca de la cavidad del horno durante la cocción. Esto puede causar abrasión de la superficie de la cavidad, pero no producirá ningún daño al horno.
Asar patatas.	Retire todas las raíces de las patatas, pichelas y colóquelas directamente sobre la parte inferior o en un recipiente plano resistente al calor o similar.
La pantalla se ilumina, pero el panel de control no funciona al presionarlo.	Asegúrese de que la puerta está correctamente cerrada.
El horno cocina demasiado despacio.	Asegúrese de que corregir el nivel de potencia seleccionado.
El horno hace ruido.	Los impulsos de la energía de microondas se activan y desactivan durante los procesos de cocción y descongelado.
La carcasa exterior está caliente.	La carcasa exterior puede calentarse al tacto. Mantenga a los niños a los niños lejos.

## INTERFERENCIA DE RADIO

El uso del microondas puede causar interferencia en aparatos de radio, televisor u otros equipos similares. Las interferencias se pueden reducir adoptando las siguientes medidas:

1. Limpie la puerta y la superficie de sellado del horno.
2. Reoriente la antena receptora de radio o televisión.
3. Reubique el horno con respecto al receptor.
4. Aleje el microondas del receptor.
5. Enchufe el microondas a una toma diferente de modo que el horno y el receptor se encuentren en circuitos diferentes.

## ANTES DE LLAMAR AL SERVICIO TÉCNICO

Antes de solicitar asistencia, consulte los siguientes elementos:

- Asegúrese de que el horno está correctamente enchufado a la corriente. Si no es así, retire el enchufe, espere 10 segundos, y vuelva a enchufarlo bien.
- Compruebe si hay algún fusible fundido o si saltó un disyuntor de corriente. Si estos elementos parecen presentar problemas, pruebe la toma con otro aparato.
- Asegúrese de que el panel de control se ha programado correctamente y si se ha establecido el temporizador.
- Asegúrese de que la puerta está bien cerrada con el sistema de bloqueo activado. Si la puerta no se cierra correctamente, el microondas no funcionará.

SI NO SE SOLUCIONA LA SITUACIÓN CON NINGUNA DE LAS ACCIONES ANTERIORES, PÓNGASE EN CONTACTO CON LA LÍNEA DE ATENCIÓN AL CLIENTE DE SHARP. NO INTENTE AJUSTAR NI REPARAR EL HORNO POR SÍ MISMO.



**Atenção:**

O seu produto está marcado com este símbolo. Significa que os produtos elétricos e eletrónicos usados não devem ser misturados com o lixo doméstico geral. Existe um sistema de recolha específico para estes produtos.

## A. Informações sobre a Eliminação para os Utilizadores (particulares)

### 1. Na União Europeia

Atenção: Se quiser eliminar este equipamento, não use um caixote do lixo comum!

O equipamento elétrico e eletrónico usado tem de ser tratado em separado e de acordo com a legislação que requer um tratamento, recuperação e reciclagem adequados de equipamento elétrico e eletrónico usado.

No seguimento da implementação pelos estados membros, os agregados domésticos privados nos estados da UE devem entregar o seu equipamento elétrico e eletrónico usado num local designado para a sua recolha, sem qualquer custo\*.

Em alguns países\* o seu vendedor local pode também receber o seu produto antigo, sem qualquer custo, se adquirir um outro semelhante.

\*) Contacte as entidades locais para mais informações.

Se o seu equipamento elétrico ou eletrónico usado tiver pilhas ou pilhas recarregáveis, elimine-as previamente em separado de acordo com as exigências locais. Ao eliminar corretamente este produto estará a ajudar a garantir que os resíduos recebem o tratamento, recuperação e reciclagem necessários e, assim, evita potenciais efeitos negativos sobre o meio ambiente e a saúde humana que, de outro modo, poderiam surgir devido ao manuseamento incorreto dos resíduos.

### 2. Em outros países fora da UE

Se pretende desfazer-se deste produto, contacte, por favor, as suas autoridades locais e informe-se sobre o método de eliminação correto.

Para a Suíça: O equipamento elétrico e eletrónico usado pode ser devolvido ao comerciante, sem qualquer custo, mesmo que não adquira um novo produto. Os locais de recolha adicionais encontram-se listados na página principal de [www.swico.ch](http://www.swico.ch) ou [www.sens.ch](http://www.sens.ch).

## B. Informações sobre a Eliminação de Produtos para Utilizadores-Empresas

### 1. Na União Europeia

Se o produto é utilizado para fins comerciais e se pretende desfazer-se dele: Agradecemos que contacte o seu revendedor SHARP que o informará sobre como devolver o produto. Podem ser-lhe cobrados custos resultantes da devolução e reciclagem. Produtos pequenos (e pequenas quantidades) podem ser devolvidos nos locais de recolha da sua zona.

Para a Espanha: Agradecemos que contacte o sistema de recolha instituído ou a sua autoridade local para a devolução dos seus produtos usados.

### 2. Em outros países fora da UE

Se pretende desfazer-se deste produto, contacte, por favor, as suas autoridades locais e informe-se sobre o método de eliminação correto.

## PRECAUÇÕES PARA EVITAR POSSÍVEIS EXPOSIÇÕES À ENERGIA DAS MICRO-ONDAS

1. Não tente usar este forno com a porta aberta, pois isso pode provocar uma exposição danosa à energia das micro-ondas. É importante não derrotar ou adulterar os bloqueios de segurança..
2. Não insira nada entre a parte da frente do forno e a porta, nem permita a acumulação de sujidade ou resíduos do produto de limpeza nas superfícies de vedação.
3. Não use o forno se estiver danificado. É muito importante que a porta do forno se feche devidamente e que não haja nenhum dano nas portas, dobradiças, fechos ou nas vedações da porta e superfícies de vedação.
4. Não tente reparar ou ajustar o forno.

## CONTEÚDOS

INSTRUÇÕES DE SEGURANÇA IMPORTANTES.....	3
INSTALAÇÃO.....	13
ESPECIFICAÇÕES.....	15
FORNO E ACESSÓRIOS.....	16
PAINEL DE CONTROLO.....	17
ANTES DE USAR.....	18
ACERTAR O RELÓGIO.....	18
COZEDURA EXPRESSO.....	18
COZINHAR COM MICRO-ONDAS.....	18
GRILL.....	18
MICRO-ONDAS+GRILL.....	19
CONVECCÃO.....	19
MICRO-ONDAS+CONVECCÃO.....	19
DESCONGELAR POR PESO.....	19
DESCONGELAR POR TEMPO.....	20
TEMPORIZADOR DE COZINHA.....	20
FUNÇÃO DE FAVORITOS.....	20
FUNÇÃO DE POUPANÇA DE ENERGIA.....	20
FUNÇÃO DE SILENCIAR.....	21
BLOQUEIO DE CRIANÇAS.....	21
BLOQUEIO DE SEGURANÇA.....	21
MECANISMO DE PROTEÇÃO AUTOMÁTICA.....	21
COZINHAR AUTOMÁTICO.....	22
LIMPEZA E MANUTENÇÃO.....	22
LOIÇA PRÓPRIA PARA O FORNO.....	23
CONSELHOS DE CULINÁRIA DO MICRO-ONDAS.....	24
CONSELHOS SOBRE DESCONGELAR.....	26
CONSELHOS SOBRE REAQUECER.....	27
RESOLUÇÃO DE PROBLEMAS.....	28
INTERFERÊNCIA DE RÁDIO.....	29
ANTES DE LIGAR À ASSISTÊNCIA TÉCNICA.....	29

## INSTRUÇÕES DE SEGURANÇA IMPORTANTES

### LEIA COM ATENÇÃO E GUARDE PARA REFERÊNCIA FUTURA

**Para evitar o risco de incêndios.**

**O forno micro-ondas não deve ser deixado sem vigilância enquanto estiver a funcionar. Níveis de potência demasiado elevados ou tempo de cozedura demasiado longo podem sobreaquecer os alimentos, provocando um incêndio.**

Este forno foi projetado apenas para ser usado numa bancada. Não está projetado para ser incorporado numa unidade de cozinha.

Não coloque o forno num compartimento fechado. A tomada elétrica deve estar acessível de forma a que a unidade possa ser desligada da corrente facilmente em caso de emergência.

O cabo de alimentação AC deve ser de 230-240 V, 50 Hz, com um mínimo de 10 A do fusível de distribuição ou um mínimo de 10 A do disjuntor de distribuição.

Deve arranjar-se um circuito separado apenas para esta aplicação

Não coloque o forno em áreas que gerem calor.

Por exemplo, perto de um forno convencional.

Não instale o forno numa área de grande humidade ou onde se junte água.

Não guarde ou use o forno numa área exterior.

**Caso se observe fumo, desligue ou desconecte da**

---

**parede o forno e mantenha a porta fechada, de forma a abafar quaisquer chamas.**

**Use apenas recipientes e utensílios próprios para o micro-ondas.**

**Os utensílios devem ser verificados para ver se são próprios para usar em fornos micro-ondas.**

**Quando aquecer alimentos em recipientes de plástico ou papel, controle o forno devido à possibilidade de ignição.**

**Limpe a capa da guia de ondas e a cavidade do forno.**

**Estas devem estar secas e sem gordura. A gordura acumulada pode sobreaquecer e começar a deitar fumo ou pegar fogo.**

Não coloque materiais inflamáveis perto do forno ou das aberturas de ventilação.

Não bloqueie as saídas de ventilação.

Retire todos os selos metálicos, arames, etc., da comida e de embalagens de comida. O arco elétrico nas superfícies metálicas pode provocar um incêndio.

Não use o forno micro-ondas para aquecer óleo para fritar. A temperatura não pode ser controlada e o óleo pode pegar fogo.

Para fazer pipocas, use apenas embalagens próprias para fazer pipocas no micro-ondas.

Não guarde comida ou quaisquer outros objetos dentro do forno.

Verifique as definições quando iniciar o forno para ter a certeza que o forno está a funcionar como desejado.

Não deixe o forno sem vigilância durante o funcionamento.

Para evitar sobreaquecimento e incêndios, devem ser tidos cuidados especiais quando cozinhar ou reaquecer alimentos com grande quantidade de açúcar ou gordura, como por exemplo, salsichas, tartes ou bolos.

Veja as dicas correspondentes no manual de funcionamento.

### **Para evitar o risco de lesões**

#### **AVISO:**

Não use o forno caso este esteja danificado ou a funcionar mal. Verifique o seguinte antes de o usar:

- a) Certifique-se de que a porta se fecha devidamente e que não está desalinhada ou deformada.
- b) Verifique que as dobradiças e os fechos de segurança da porta não estão partidos ou soltos.
- c) Veja-se de que as vedações da porta e da superfície não foram danificadas.
- d) Certifique-se de que no interior da cavidade do forno ou a porta não há brechas.
- e) Certifique-se de que o cabo de alimentação e a tomada não estão danificados.

Caso a porta ou as vedações da porta estejam danificadas, o forno não deve ser posto em funcionamento até ter sido reparado por uma pessoa competente.

**Nunca ajuste, repare ou modifique o forno sozinho.**

---

**É arriscado para qualquer pessoa que não tenha competências para tal levar a cabo qualquer tipo de manutenção ou reparação que envolva a remoção de uma capa que protege da exposição a energia das micro-ondas.**

Não opere o forno com a porta aberta nem altere os fechos de segurança da porta de nenhum modo. Não opere o forno se houver algum objeto entre as vedações da porta e as vedações da superfície.

**Não permita que se acumule gordura ou sujidade nas vedações da porta e nas peças adjacentes. Limpe o forno regularmente e remova todos os depósitos de comida.**

**Siga as instruções em "Cuidados e Manutenção". A falta de limpeza do forno leva à deterioração da superfície que afetará adversamente a vida da máquina e poderá criar situações perigosas**

Pessoas com PACEMAKERS devem aconselhar-se com o seu médico ou com o fabricante do pacemaker sobre regras de segurança com fornos micro-ondas.

**Para evitar a possibilidade de choques elétricos**

Nunca em nenhum momento remova a cobertura exterior.

Não derrame ou insira nenhum objeto nas ranhuras dos ganchos da porta ou nas aberturas de ventilação.

Em caso de derrame, desligue e desconecte

imediatamente o forno da corrente elétrica e chame um agente da assistência técnica autorizado SHARP.

Não submerja o cabo de alimentação ou a tomada em



água ou qualquer outro líquido.

Não deixe o cabo de alimentação pendurado à beira de uma mesa ou superfície de trabalho.

Mantenha o cabo de alimentação longe de superfícies quentes, incluindo o motor do forno.

Mantenha o aparelho e o cabo fora do alcance de crianças com menos de 8 anos.

Não tente substituir a lâmpada do forno sozinho e não permita que alguém que não seja um electricista autorizado pela SHARP o faça. Se a lâmpada do forno se fundir, por favor contacte o seu revendedor ou a assistência técnica autorizada SHARP.

Caso o cabo de alimentação deste aparelho esteja danificado, deverá ser substituído por um cabo especial.

A troca deve ser feita por um agente de serviço autorizado SHARP.

### **Para evitar a possibilidade de explosão e de erupção espontânea:**

**ATENÇÃO: Líquidos e outros alimentos não devem ser aquecidos em recipientes fechados, pois podem explodir.**

**O aquecimento por micro-ondas de bebidas pode causar uma erupção de bolhas tardia, pelo que deve-se ter cuidado ao pegar no recipiente.**

Nunca use recipientes fechados. Retire os selos e coberturas antes de usar. Recipientes fechados podem explodir devido à pressão interna que se forma mesmo depois de o forno ter sido desligado.

---

Tenha cuidado com os líquidos no micro-ondas. Use um recipiente largo que permita as bolhas saírem.

**Nunca aqueça líquidos num recipiente com gargalo estreito, como biberons, pois isto pode provocar uma erupção do conteúdo do recipiente quando estiver quente e provocar queimaduras.**

Para evitar uma erupção espontânea de um líquido a ferver e eventuais queimaduras:

1. Não use tempo excessivo.
2. Mexa o líquido antes de o aquecer/reaquecer.
3. Aconselha-se a inserir uma vareta de vidro ou outro utensílio semelhante (não metálico) dentro do líquido quando o reaquecer.
4. Deixe o líquido descansar por, pelo menos, 20 segundos no forno após o fim do tempo de cozedura para evitar uma erupção de bolhas tardia.

**Não cozinhe ovos com casca e igualmente ovos cozidos não devem ser aquecidos no forno micro-ondas, pois podem explodir mesmo depois do forno ter parado de trabalhar. Para cozinhar ou reaquecer ovos que não tenham sido mexidos, perfure a gema e a clara, caso contrário os ovos podem explodir. Descasque e corte os ovos cozidos antes de os reaquecer no forno micro-ondas.**

Perfure a pele de alimentos, tais como batatas, salsichas e fruta antes de cozinhar, pois estes podem explodir.

## **Para evitar o risco de queimaduras.**

**ATENÇÃO: O conteúdo de biberons e boiões com comida de bebés deve ser mexido ou agitado e a temperatura deve ser verificada antes de serem consumidos, para evitar queimaduras.**

**Use pegas ou luvas grossas quando retirar alimentos do forno para evitar queimaduras.**

Abra sempre os recipientes, embalagens de pipocas, embalagens para cozinhar no forno, etc., longe da cara e mãos para evitar queimaduras com o vapor ou erupção de bolhas.

Para evitar queimaduras, verifique sempre antes a temperatura dos alimentos e mexa antes de servir. Preste especial atenção à temperatura de alimentos e bebidas servidos a crianças ou idosos. As peças acessíveis podem ficar quentes durante a utilização. As crianças não deverão aproximar-se.

A temperatura do recipiente não é a verdadeira temperatura da comida ou bebida; verifique sempre a temperatura da comida.

Afaste-se sempre quando abrir a porta do forno para evitar queimaduras de vapor ou calor que saia do interior.

Corte em fatias alimentos assados antes de os aquecer para soltar o vapor e evitar queimaduras.

Mantenha as crianças afastadas da porta para evitar que se queimem.

## **Para evitar o uso errado por crianças.**

**ATENÇÃO: Permita às crianças usar o forno sem**

---

**supervisão apenas quando tiverem sido dadas instruções adequadas de modo a que a criança possa utilizar o forno de uma forma segura e compreenda os perigos de um uso inadequado. Quando o aparelho for utilizado nas operações GRILL, MIX GRILL e MENU AUTOMÁTICO, as crianças deverão usar o forno apenas sob a supervisão de um adulto, devido à temperatura gerada.**

**Este eletrodoméstico não se destina a ser usado por pessoas (incluindo crianças) com capacidades físicas, sensoriais ou mentais reduzidas, ou com falta de experiência e conhecimentos, a menos que recebam supervisão ou instruções sobre a utilização do aparelho da parte de uma pessoa responsável pela sua segurança. As crianças devem ser supervisionadas para garantir que não brincam com o eletrodoméstico. Os modelos com painel tátil eletrónico vêm equipados com um modo de bloqueio de crianças.**

Não se apoie ou balance a porta do forno. Não brinque com o forno nem o utilize como um brinquedo.

Deve-se ensinar às crianças todas as instruções de segurança importantes: o uso de pegas, o retirar com cuidado as coberturas dos alimentos; prestando especial atenção às embalagens (por exemplo, materiais que se aquecem sozinhos) feitas para tornar a comida estaladiça, pois podem estar particularmente quentes.

## **Outros avisos**

Nunca modifique o forno de nenhuma maneira.

Não mova o forno quando este estiver a funcionar.

Este eletrodoméstico foi projetado para ser usado num ambiente doméstico.

Este forno destina-se apenas à preparação de alimentos em casa e apenas pode ser usado para cozinhar alimentos e bebidas. A secagem de alimentos ou vestuário e o aquecimento de bolsas térmicas, pantufas, esponjas, panos húmidos e semelhantes pode levar ao risco de lesões, ignição ou fogo. Não é adequado para uso comercial ou num laboratório.

### **Para promover o uso sem problemas do seu forno e evitar problemas.**

Nunca use o forno quando este estiver vazio. Quando usar um prato de barro ou material que aqueça sozinho, coloque sempre por baixo um isolante resistente ao calor, como um prato de porcelana, para prevenir danos no prato giratório e no suporte do prato giratório devido à tensão do calor. O tempo de pré-aquecimento especificado nas instruções da loiça não deve ser excedido.

Não use utensílios metálicos, pois estes reflectem as micro-ondas e podem causar arcos elétricos. Não coloque latas dentro do forno.

Para evitar que a base do forno se quebre.

- a) Antes de limpar a base do forno com água, deixe o fundo liso arrefecer.
- b) Não coloque alimentos quentes ou utensílios

---

quentes na base do forno fria.

c) Não coloque alimentos frios ou utensílios frios na base do forno quente.

Não coloque nada na parte exterior durante o funcionamento.

**NOTA:**

Não utilize recipientes de plástico para o micro-ondas se o forno ainda estiver quente depois da utilização das funções GRILL e MIX GRILL, pois podem derreter. Os recipientes de plástico não devem ser utilizados nos modos acima mencionados, a não ser que o produtor do recipiente diga que são adequados.

Caso tenha dúvidas sobre a forma como ligar o seu forno, consulte um electricista autorizado e qualificado. Nem o fabricante, nem o revendedor podem aceitar qualquer responsabilidade por estragos no forno ou danos pessoais resultantes da inobservância dos procedimentos corretos de ligação elétrica.

É possível que se forme ocasionalmente vapor ou gotas de água nas paredes do forno ou à volta das vedações da porta e da superfície. Isto é normal e não significa nenhuma falha ou mal funcionamento do micro-ondas.



Este símbolo significa que as superfícies podem ficar quentes durante o uso.

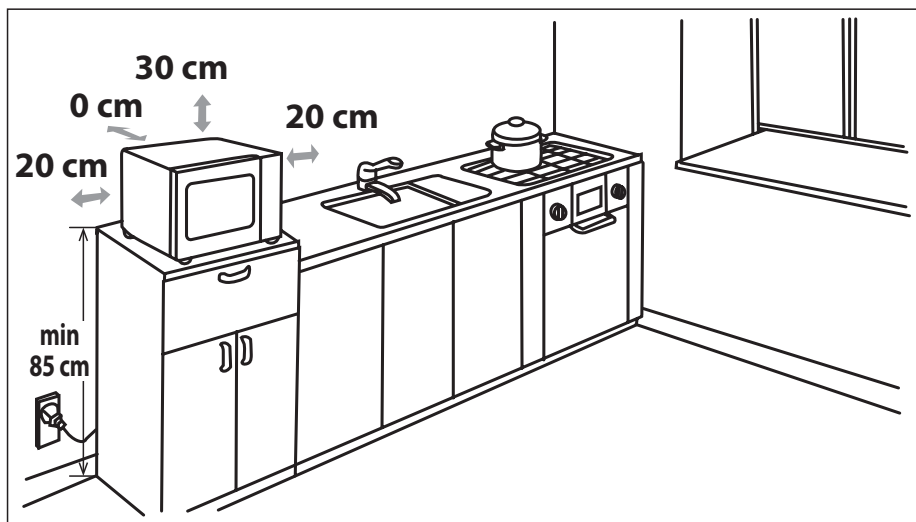
## INSTALAÇÃO

1. Retire todo o tipo de embalagens de dentro da cavidade do forno e retire todas as películas de proteção que encontrar na superfície da cabine do micro-ondas.
2. Verifique cuidadosamente se o forno tem sinais de estragos.
3. Coloque o forno numa superfície segura, nivelada e suficientemente forte para suportar o peso do forno juntamente com o da peça mais pesada que pensa cozinhar no forno. Não coloque o forno num recipiente fechado.
4. Escolha uma superfície nivelada que forneça espaço aberto suficiente para a entrada e/ou saída de ar. Veja a imagem na primeira página.

A superfície traseira do aparelho pode ser colocada junto a uma parede.

- A altura mínima de instalação é de 85 cm.
- É necessário haver um espaço mínimo de 20 cm entre os lados do forno micro-ondas e quaisquer paredes ou objetos adjacentes.
- Deixe um espaço mínimo de 30 cm por cima do forno.
- Não remova os pés da base do forno.
- Bloquear a abertura de entrada e/ou saída pode danificar o forno.
- Coloque o forno tão longe de rádios e televisores quanto possível. O funcionamento do forno micro-

ondas pode provocar interferências na receção de rádio ou televisão.



5. Conecte de forma segura a ficha do forno a uma tomada elétrica (com ligação à terra) normal de uso doméstico.

**ATENÇÃO:** Não coloque o forno em locais onde se gere calor, orvalho ou muita humidade (por exemplo, perto ou por baixo de um forno convencional) ou perto de materiais combustíveis (por exemplo, cortinas).

Não bloqueie nem obstrua as aberturas da saída de ar.

Não coloque objetos em cima do forno.

Não toque no exterior do forno micro-ondas durante ou logo após o funcionamento, pois pode estar quente.



# ESPECIFICAÇÕES

Nome do modelo		YC-GC52FE
Tensão da Linha AC		230-240 V/50 Hz monofásico
Fusível de linha de distribuição/disjuntor		10 A
Potência CA requerida		1400 W
Potência de saída:	Micro-ondas	900 W
	Grill	1200 W
	Convecção	2050 W
	Espera (Standby)	< 1,0 W
	Modo de poupança de energia	< 0,5 W
Frequência do Micro-ondas		2450 MHz*
Dimensões Exteriores (L) x (A) x (P) mm		490 x 287 x 495
Dimensões da cavidade (L) x (A) x (P) mm		330 x 220 x 335
Capacidade do Forno		25 litros**
Grelha do grill		ø 220 mm, A: 85 mm
Tabuleiro de assar		ø 280 mm, A: 49 mm
Peso		aprox. 18,6 kg
Lâmpada de forno (tipo LED)		1,5 W

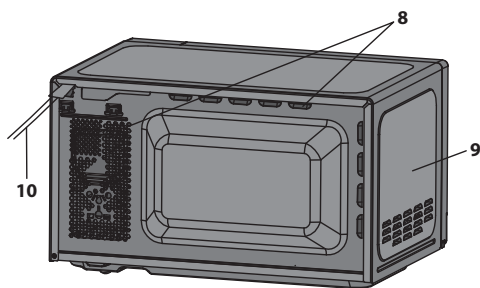
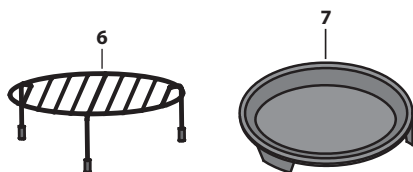
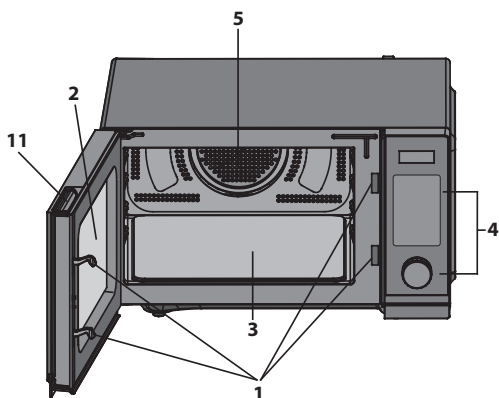
\* - Este produto cumpre os requisitos da norma europeia EN55011. Em conformidade com este requisito, o produto é classificado como equipamento do grupo 2 classe B. O grupo 2 significa que o equipamento gera intencionalmente energia com frequência de rádio, em forma de radiação eletromagnética para o tratamento de alimentos por calor. Equipamento de classe B significa que o equipamento é adequado para ser usado em ambientes domésticos.

\*\* - A capacidade interna calcula-se medindo a largura, profundidade e altura máximas. A capacidade real para os alimentos é menor.

COMO PARTE DA POLÍTICA DE CONTÍNUAS MELHORIAS, RESERVAMO-NOS O DIREITO DE ALTERAR O DESENHO E AS ESPECIFICAÇÕES SEM AVISO PRÉVIO.

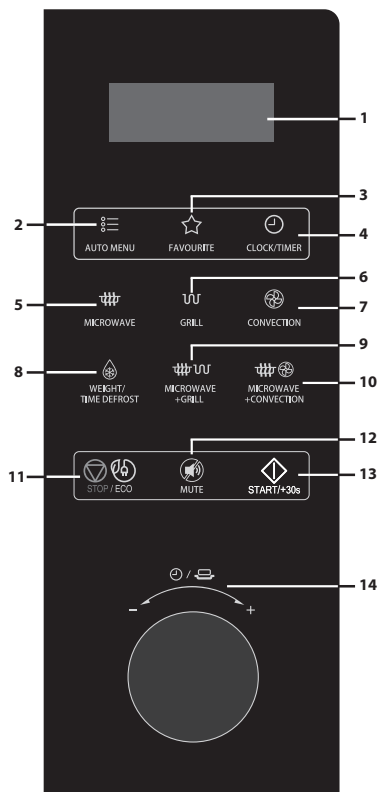
# FORNO E ACESSÓRIOS

1. Sistema de bloqueio de segurança da porta
2. Janela do forno
3. Placa da base da cavidade
4. Painel de controlo
5. Aquecedor do grill
6. Grelha do grill
7. Tabuleiro de assar
8. Aberturas de ventilação
9. Estrutura exterior
10. Cabo de alimentação
11. Pega para abrir



## PAINEL DE CONTROLO

1. **MOSTRADOR** - São apresentados o tempo de cozedura, a potência, os indicadores e a hora.
2. **AUTO MENU** - Carregue para selecionar o menu de cozedura automática
3. **FAVOURITE** - Use para guardar programas
4. **CLOCK/TIMER** - Use para acertar a hora. Use para definir a função do temporizador.
5. **MICROWAVE** - Carregue para selecionar o nível de potência do micro-ondas.
6. **GRILL** - Carregue para definir o programa de cozedura do grill.
7. **CONVECTION** - Carregue para definir o programa de cozedura de convecção.
8. **WEIGHT/TIME DEFROST** - Carregue uma vez para descongelar com base no peso. Carregue duas vezes para descongelar com base no tempo.
9. **MICROWAVE+GRILL** - Carregue para definir o programa de cozedura combinado de micro-ondas e grill.
10. **MICROWAVE+CONVECTION** - Carregue para definir o programa de cozedura combinado de micro-ondas e convecção.
11. **STOP/ECO** - Carregue uma vez para parar temporariamente de cozinhar, ou duas vezes para cancelar a cozedura de todo. Use para definir o modo de poupança de energia.
12. **MUTE** - Carregue uma vez para definir a função de silenciar, volte a carregar para desativar a função de silenciar. Carregue e mantenha (durante 3 seg.) para ativar a função de BLOQUEIO DE CRIANÇAS. Volte a carregar e a manter para a desativar.
13. **START/+30s** - Carregue para iniciar os programas de cozedura e descongelar. Basta carregar uma série de vezes para definir o tempo de cozedura e cozinhar logo com potência máxima.
14. **TEMPO/PESO (manípulo)** - Gire para definir o tempo, o peso dos alimentos ou as doses.



## ANTES DE USAR

- Quando o forno for ligado pela primeira vez ouvir-se-á um apito e o mostrador apresentará a indicação "1:01".
- No modo de definição e sem carregar em nenhum botão durante 30 segundos, a unidade entrará no modo de espera (standby).
- Durante a cozedura, carregue uma vez no botão **STOP/ECO** para fazer uma pausa no programa e depois volte a carregar no botão **INÍCIO/+30s** para retomar. Quando se carrega duas vezes no botão **STOP/ECO**, o programa é cancelado.
- Quando o ciclo de cozedura estiver completo, o ecrã apresentará a indicação **End** e soará um apito de dois em dois minutos até a porta ser aberta ou se carregar num botão.

## ACERTAR O RELÓGIO

Para acertar o relógio siga as instruções em baixo:

1. No modo de espera (standby), carregue e mantenha o botão **CLOCK/TIMER** durante 3 segundos para selecionar o relógio de 12 horas; carregue novamente no botão para selecionar o relógio de 24 horas.
2. Gire o manípulo **TEMPO/PESO** para definir o dígito da hora.
3. Carregue uma vez em **START/+30s**.
4. Gire o manípulo **TEMPO/PESO** para definir o dígito dos minutos.
5. Carregue no botão **CLOCK/TIMER** para confirmar.

## COZEDURA EXPRESSO

Use esta função para programa o forno para se iniciar convenientemente a 100%. No modo de espera (standby), carregue várias vezes no botão **START/+30s** para definir o tempo de cozedura (de cada vez que carrega aumenta 30 segundos até 10 minutos). O forno iniciar-se-á automaticamente.

## COZINHAR COM MICRO-ONDAS

1. No modo de espera (standby), carregue várias vezes no botão **MICROWAVE** para selecionar o nível de potência.
2. Gire o manípulo **TEMPO/PESO** para definir o tempo de cozedura. A duração maior é de 95 minutos.
3. Carregue em **START/+30s** para confirmar.

Carregue várias vezes no botão **MICROWAVE** para selecionar o nível de potência.

Carregue no botão MICROWAVE	Potência (mostrar)	Carregue no botão MICROWAVE	Potência (mostrar)
Uma vez	100% (P100)	7 vezes	40% (P-40)
duas vezes	90% (P-90)	8 vezes	30% (P-30)
3 vezes	80% (P-80)	9 vezes	20% (P-20)
4 vezes	70% (P-70)	10 vezes	10% (P-10)
5 vezes	60% (P-60)	11 vezes	0% (P-00)
6 vezes	50% (P-50)		

**NOTA:** Durante a cozedura pode verificar a potência carregando no botão **MICROWAVE**.

## GRILL

A cozedura com o grill é particularmente útil para fatias finas de carne, bifes, costeletas, kebabs, salsichas e peças de frango. É também adequado para sanduíches quentes e pratos gratinados.

1. No modo de espera (standby), carregue uma vez no botão **GRILL**.

2. Gire o manípulo **TEMPO/PESO** para definir o tempo de cozedura. A duração maior é de 95 minutos.
3. Carregue no botão **START/+30s** para começar.

## MICRO-ONDAS+GRILL

Combinação 1: 30% do tempo a cozinhar com micro-ondas, 70% a cozinhar com o grill. Use para peixe ou gratinados.

**Combinação 2:** 55% do tempo a cozinhar com micro-ondas, 45% a cozinhar com o grill. Use para pudins, omeletes, batatas assadas e carne de aves.

1. No modo de espera (standby), carregue uma ou duas vezes no botão **MICROWAVE+GRILL** para selecionar "Co-1" ou "Co-2".
2. Gire o manípulo **TEMPO/PESO** para definir o tempo de cozedura. A duração maior é de 95 minutos.
3. Carregue no botão **START/+30s** para começar.

**NOTA:** Durante a cozedura pode verificar o modo combinado carregando no botão **MICRO-ONDAS+GRILL**.

## CONVECÇÃO

Durante a cozedura por convecção circula ar quente dentro da cavidade do forno para tostar e tornar os alimentos crocantes de forma rápida e uniforme. Este forno pode ser programado com treze temperaturas de cozedura diferentes (230°C, 220°C, 210°C, 200°C, 190°C, 180°C, 170°C, 160°C, 150°C, 140°C, 130°C, 120°C, 110°C).

**Para pré-aquecer e cozinhar com a função de convecção, siga as instruções em baixo:**

O seu forno pode ser programado para combinar o pré-aquecimento com as funções de cozedura por convecção.

1. No modo de espera (standby), carregue várias vezes no botão **CONVECTION** para selecionar a temperatura de convecção.
2. Carregue no botão **START/+30s** para começar. Ouvir-se-á um apito quando a temperatura designada for alcançada.
3. Abra a porta e coloque o recipiente com os alimentos no meio do piso liso.
4. Gire o manípulo **TEMPO/PESO** para definir o tempo de cozedura. A duração maior é de 95 minutos.
5. Carregue no botão **START/+30s** para começar.

**NOTA:** Quando a temperatura de preaquecimento por convecção for alcançada, o forno emitirá um apito de dois em dois segundos. A temperatura de preaquecimento será mantida durante 30 minutos.

## MICRO-ONDAS+CONVECÇÃO

O modo de micro-ondas+convecção torna a cozedura mais fácil e rápida.

Há quatro definições pré-programadas para esta função, como descrito em seguida:

230°C - esta é adequada para carne espessa e difícil de cozinhar, como frango, inteiro, coxas ou asas.

200°C - pode ser usado para carne fina e que se cozinha depressa, como peixe ou bifes.

170°C e 140°C - estes modos são adequados para carne fatiada e alimentos semiacabados, como bacon ou salsichas.

1. No modo de espera (standby), carregue várias vezes no botão **MICROWAVE+CONVECTION** para selecionar a temperatura de convecção (230°C, 200°C, 170°C, 140°C).
2. Gire o manípulo **TEMPO/PESO** para definir o tempo de cozedura. A duração maior é de 95 minutos.
3. Carregue no botão **START/+30s** para começar.

**NOTA:** Durante a cozedura pode verificar a temperatura da convecção carregando no botão **MICROWAVE+CONVECTION**.

## DESCONGELAR POR PESO

1. No modo de espera (standby), carregue uma vez no botão **WEIGHT/TIME DEFROST**.
2. Gire o manípulo de **TEMPO/PESO** para selecionar o peso dos alimentos. O peso pode ir de 100g a 2000g.
3. Carregue no botão **START/+30s** para começar.

**NOTA:** Enquanto descongelar, o sistema irá fazer uma pausa e apitar para lembrá-lo de virar os alimentos ao contrário. Depois disso, carregue no botão **START/+30s** para retomar.

### Tabela de descongelar por peso

<b>Peso [kg]</b>	0,1	0,2	0,3	0,4	0,5	0,6	0,7	0,8	0,9	1,0	1,1	1,2	1,3	1,4	1,5	1,6	1,7	1,8	1,9	2,0
<b>Tempo [min]</b>	3	5	7	9	11	13	15	17	19	21	23	25	27	29	31	33	35	37	39	41

## DESCONGELAR POR TEMPO

1. No modo de espera (standby), carregue duas vezes no botão **WEIGHT/TIME DEFROST**.
2. Gire o manipulador **TEMPO/PESO** para definir o tempo de descongelar. A duração maior é de 95 minutos.
3. Carregue no botão **START/+30s** para começar.

**NOTA:** Quando usar a função de descongelar por tempo, o micro-ondas irá cozinhar com uma potência de 40%, depois com potência de 30%, até ao momento em que parará para abrir a porta e virar os alimentos ao contrário. Quando carregar no botão **START/+30s**, irá cozinhar com uma potência de 20%.

## TEMPORIZADOR DE COZINHA

1. Carregue uma vez no botão **CLOCK/TIMER**.
2. Gire o manipulador **TEMPO/PESO** para selecionar o tempo desejado. A duração maior é de 95 minutos.
3. Carregue no botão **START/+30s** para começar.

Para cancelar o programa do temporizador, carregue no botão **STOP/ECO** e o mostrador apresentará a hora.

## FUNÇÃO DE FAVORITOS

Há 3 favoritos nesta função, cada um pode ser definido com uma sequência de cozedura.

### Para guardar:

1. No modo de espera (standby), carregue uma, duas ou três vezes no botão **FAVOURITE**.
2. Introduza o programa de cozedura desejado (incluindo a cozedura com várias fases).
3. Carregue no botão **START/+30s** para começar.

### Para iniciar:

1. No modo de espera (standby), carregue uma, duas ou três vezes no botão **FAVOURITE** para selecionar o programa de cozedura.
2. Carregue no botão **START/+30s** para começar.

### Para apagar:

No modo de espera (standby), carregue uma, duas ou três vezes no botão **FAVOURITE**.

Carregue e mantenha o botão **FAVOURITE** durante 3 segundos, o mostrador apresentará a indicação "CLr" durante 5 segundos e o forno voltará ao modo de standby.

### NOTA:

- Apenas podem ser guardados os de micro-ondas, grill, convecção, micro-ondas e grill, micro-ondas e convecção.
- Os programas favoritos serão guardados na memória, mesmo quando a corrente for desligada.
- É possível guardar apenas 3 programas favoritos. Se desejar mudar, apague um deles.
- Se o conteúdo dos favoritos estiver vazio, irá piscar o código de favoritos. Se houver algum conteúdo nos favoritos, o código de favoritos será sempre apresentado.

## FUNÇÃO DE POUANÇA DE ENERGIA

**Para definir:** No modo de espera (standby), carregue e mantenha o botão **STOP/ECO** durante 3 segundos. O mostrador desligar-se-á. O forno entrará no modo de poupança de energia.

**Para cancelar:** No modo de poupança de energia, a função pode ser cancelada carregando em qualquer botão ou abrindo e fechando a porta do forno uma vez.

## FUNÇÃO DE SILENCIAR

Para definir a função de silenciar, carregue uma vez no botão **MUTE** e o mostrador apresentará a indicação "**OFF**" durante 3 segundos. Enquanto estiver no modo de silenciar, não haverá som ao carregar nos botões.

Para libertar a função de silenciar, carregue uma vez no botão **MUTE** e o mostrador apresentará a indicação "**On**" durante 3 segundos.

## BLOQUEIO DE CRIANÇAS

1. Para definir o BLOQUEIO DE CRIANÇAS, carregue e mantenha o botão **MUTE** durante 3 segundos. Ouvir-se-á um apito longo e o mostrador apresentará a indicação "**LOC**". O forno está agora no modo de BLOQUEIO DE CRIANÇAS. Enquanto estiver neste modo, o mostrador apresentará a hora e, se alguém carregar em algum botão, ou a porta for aberta, aparecerá a indicação "**LOC**" durante dez segundos.
2. Para cancelar o BLOQUEIO DE CRIANÇAS, **MUTE** durante 3 segundos até ouvir um apito prolongado.

## BLOQUEIO DE SEGURANÇA

Usado para prevenir operações não supervisionadas do forno por parte de crianças pequenas.

**Para definir:** No modo de espera (standby), se não for usado durante um minuto, o forno entrará automaticamente no modo de bloqueio de segurança e a luz indicadora de bloqueio acender-se-á. No modo de bloqueio de segurança todos os botões são desativados. Se carregar em qualquer botão, a indicação de bloqueio aparecerá no mostrador durante 5 minutos a relembrar o utilizador de cancelar o bloqueio de segurança.

Para desligar o bloqueio de segurança basta abrir a porta do micro-ondas e o teclado voltará a ficar ativo e a luz indicadora de bloqueio apagar-se-á.

## MECANISMO DE PROTEÇÃO AUTOMÁTICA

**PROTEÇÃO DE SOBREAQUECIMENTO-** Quando o forno detetar uma temperatura alta, o mostrador apresentará a indicação "**E01**" e deixará de funcionar. Isto pode ser cancelado carregando no botão **STOP/ECO**.

**PROTEÇÃO DE TEMPERATURA BAIXA-** Quando o forno entrar no modo de proteção de temperatura baixa, o mostrador apresentará a indicação "**E02**" e deixará de funcionar. Isto pode ser cancelado carregando no botão **STOP/ECO**.

**PROTEÇÃO DE ANOMALIA DO SENSOR-** Quando o forno detetar um problema com um dos sensores, aparecerá a indicação "**E03**" ou "**E04**" e o forno deixará de funcionar. Além disso, o forno irá emitir um sinal de aviso. Isto pode ser cancelado carregando no botão **STOP/ECO**.

# COZINHAR AUTOMÁTICO

Para alimentos ou o seguinte modo de cozedura não é necessário programar o tempo e a potência de cozedura. Basta indicar o tipo de alimentos que quer cozinhar, bem como o peso ou o número de doses deste alimento.

1. No modo de espera (standby), carregue várias vezes no botão **AUTO MENU** para seleccionar o código do menu.
2. Gire o manípulo **TIME/WEIGHT** para definir o peso do alimento ou as doses.
3. Carregue no botão **INÍCIO/+30s** para começar.

## Menus de cozedura automática:

Código	Alimento	Nota
A-01	Bebida (200 ml/caneca, 1 - 3 canecas)	<ol style="list-style-type: none"><li>1. Com os itens "A07" ~ "A09", "A-13", o forno irá fazer uma pausa e emitirá um som a lembrar o utilizador de virar o alimento ao contrário e voltar a carregar no botão <b>START/+30s</b> para retomar.</li><li>2. Ao usar a função de cozedura automática, os alimentos podem não ficar cozinhados como o esperado. Isto pode dever-se a diferentes motivos, como as preferências pessoais, o tamanho/forma do alimento, a temperatura ambiente, variações na corrente elétrica, o posicionamento correto do alimento na base do forno, etc. Caso o alimento não fique cozinhado como desejava, ajuste o tempo de forma adequada para corrigir esta situação.</li></ol>
A-02	Batatas assadas (230 ±10 g/dose, 1 - 2 doses)	
A-03	Legumes (200 - 600 g)	
A-04	Reaquecer automático (200 - 800 g)	
A-05	Sopa (300 ml/tigela, 1 - 3 tigelas)	
A-06	Arroz (150 - 600 g)	
A-07	Carne assada/borrego (200 - 600 g)	
A-08	Peixe grelhado (200 - 600 g)	
A-09	Bacon grelhado (100 g, 200 g, 300 g)	
A-10	Batatas fritas no forno (200 g)	
A-11	Piza (150g, 300 g, 450 g)	
A-12	Bolo (475 g)	
A-13	Frango assado (800 - 1400 g)	

# LIMPEZA E MANUTENÇÃO

1. Quando limpar, desligue o forno e retire a ficha da tomada de parede.
2. Mantenha o interior do forno limpo. Quando salpicos de comida ou líquidos derramados se colarem às paredes do forno, limpe com um pano húmido. Pode usar-se detergentes suaves, caso o forno fique muito sujo. Evite usar sprays ou outros agentes de limpeza agressivos. Estes podem manchar, riscar ou matizar a superfície da porta.
3. A parte exterior do forno deve ser limpa com um pano húmido. Para evitar danos nas peças de funcionamento do interior do forno, não se deve deixar entrar água nas aberturas de ventilação.
4. Limpe com frequência a porta e a janela de ambos os lados, as vedações da porta e as peças adjacentes com um pano húmido para remover eventuais salpicos ou derrames. Não use um agente de limpeza abrasivo.
5. Não limpe a vapor.
6. Não permita que o painel de controlo fique molhado. Limpe com um pano macio húmido. Quando limpar o painel de controlo, deixe a porta do forno aberta para evitar que o forno se ligue acidentalmente.
7. Se se acumular vapor no interior ou à volta da parte exterior da porta do forno, limpe com um pano macio. Isto pode acontecer quando o micro-ondas funciona em condições de grande humidade. Não é uma anomalia.
8. A base do forno deve ser limpa com regularidade para evitar contaminações e eventuais danos/faíscas. Basta limpar a superfície da base do forno com um detergente suave.
9. Remova cheiros do forno misturando um copo de água com sumo e casca de um limão numa tigela própria para o micro-ondas. Aqueça no micro-ondas durante 5 minutos. Limpe exaustivamente e seque com um pano macio.
10. Se a lâmpada se fundir, contacte o apoio ao cliente para saber o que fazer.
11. O forno deve ser limpo com regularidade e devem ser removidos quaisquer depósitos de comida. Não manter o forno limpo pode provocar a deterioração da superfície, o que poderá afetar adversamente a vida útil da unidade e poderá eventualmente provocar uma situação perigosa.
12. Não elimine este eletrodoméstico no caixote do lixo doméstico. Deve ser eliminado num centro específico de eliminação do município.
13. Quando a função de grill do forno micro-ondas for usada pela primeira vez, pode produzir um ligeiro fumo ou cheiro. Isto é um fenómeno normal, pois o forno é feito de uma placa de aço revestida com um óleo lubrificante e o forno novo irá produzir fumo e cheiro gerados pela queima do óleo lubrificante. Este fenómeno desaparecerá após um certo período de utilização.



## LOIÇA PRÓPRIA PARA O FORNO

Para cozinhar/descongelar num forno micro-ondas, a energia das micro-ondas deve poder passar através do recipiente, para penetrar nos alimentos. Por isso, é necessário escolher uma loiça adequada.

É preferível usar pratos redondos/ovais do que quadrados/retangulares, pois os alimentos que ficam nos cantos costumam ficar demasiadamente cozinhados. Pode ser usada uma variedade de loiça como a listada em baixo.

Loiça de cozinha	Própria para microondas	Grill/ Convecção	Comentários
Película de alumínio Recipientes de alumínio	✓ / ✗	✓	Podem usar-se pequenos pedaços de película de alumínio para evitar que os alimentos se sobreaqueçam. Mantenha a película a pelo menos 2cm das paredes do forno, pois pode provocar arco elétrico. Não se recomendam recipientes de alumínio, a não ser que seja especificado pelo produtor, por ex., Microfoil®, siga as instruções com cuidado.
Loiça de barro	✓ / ✗	✗	Siga sempre as instruções do produtor. Não ultrapasse os tempos de cozedura indicados. Tenha muito cuidado, pois estes recipientes podem ficar muito quentes.
Porcelana e cerâmica	✓ / ✗	✗	Porcelana, cerâmica, painéis de barro e porcelana de ossos em geral podem ser usadas, à exceção daquelas que tiverem decorações metálicas.
Loiça de vidro, por ex., Pyrex®	✓	✓	Tenha cuidado se usar loiça de vidro sensível, pois este pode partir-se ou estalar se for aquecido repentinamente.
Metal	✗	✓	Não é recomendável o uso de loiça metálica quando usar a potência das micro-ondas, pois pode provocar faíscas e levar a um incêndio.
Plástico/Esferovite, por ex., recipientes de fast food	✓	✗	Tenha em atenção que alguns recipientes podem deformar-se, derreter ou perder a cor quando expostos a temperaturas elevadas.
Película aderente	✓	✗	Não deve tocar nos alimentos e deve estar furada para deixar sair o vapor.
Sacos de congelar/assar	✓	✗	Deve estar perfurado para deixar sair o vapor. Certifique-se de que os sacos são apropriados para usar no micro-ondas.
Pratos/copos de papel e papel de cozinha	✓	✗	Não utilize autilhos de plástico ou metal, pois podem derreter ou pegar fogo devido a arcos elétricos metálicos.
Recipientes de verga e madeira	✓	✗	Utilize apenas para aquecer ou para absorver humidade. Deve-se ter cuidado, pois o sobreaquecimento pode provocar um incêndio.
Papel reciclado e jornais	✗	✓	Esteja sempre com atenção ao forno quando usar estes materiais, pois podem sobreaquecer e provocar um incêndio. Podem conter extratos de metal, o que provocará fagulhas e pode provocar um incêndio.



**ATENÇÃO:** Quando aquecer alimentos em recipientes de plástico ou papel, controle o forno devido à possibilidade de ignição.

**NOTA:** Não deixe o forno sem supervisão enquanto estiver a funcionar.

## CONSELHOS DE CULINÁRIA DO MICRO-ONDAS

Os micro-ondas cozinham mais rapidamente do que a cozedura tradicional. Por isso, é essencial que se sigam certas técnicas para garantir bons resultados. Muitas das seguintes técnicas são semelhantes às usadas na cozedura tradicional.



**ATENÇÃO:** Os líquidos e alimentos não devem ser aquecidos em recipientes fechados ou boiões/ recipientes com tampas, pois dentro deles formar-se-á pressão e poderá provocar uma explosão.

### NOTAS SOBRE OS CONSELHOS DE CULINÁRIA:

- Preste atenção ao forno quando este estiver em uso.
- Certifique-se de que os utensílios são adequados para o uso em fornos de micro-ondas.
- Veja as tabelas na secção de livro de culinária sobre tempos de cozedura e níveis de potência recomendados.
- Não coloque alimentos/utensílios quentes numa base lisa fria ou alimentos/utensílios frios numa base lisa quente.
- Use apenas pipocas de micro-ondas que tenham uma embalagem adequada (siga as instruções do produtor). Não use nunca óleo, a não ser que o produtor o refira e nunca cozinhe mais tempo do que o indicado.



**ATENÇÃO:** Siga sempre as instruções do manual de funcionamento SHARP. Se exceder o tempo de cozedura recomendado e usar níveis de potência demasiado altos, os alimentos podem sobreaquecer e em circunstâncias extremas pegar fogo e danificar o forno.

### Acomodar

Coloque as partes mais espessas dos alimentos na borda do prato, por exemplo, coxas de frango.

Os alimentos colocados virados para fora do prato receberão mais energia, cozinhar-se-ão mais depressa do que os do centro.

### Cubrir

Certos alimentos beneficiam se forem tapados durante a cozedura no micro-ondas.

Use uma película aderente ventilada ou uma tampa adequada.

### Perfure

Alimentos com casca, pele ou membranas devem ser perfurados em vários locais antes de cozinhar ou reaquecer, pois formar-se-á vapor que poderá provocar a explosão do alimento.

por ex., Batatas, Peixe, Frango, Salsichas.

**NOTA:** Os ovos não devem ser aquecidos usando a potência de micro-ondas, pois podem explodir, mesmo depois da cozedura terminar, por ex., escalfados, estrelados, cozidos.

### Mexa, vire e volte a acomodar

Para uma cozedura uniforme é essencial mexer, virar e voltar a acomodar os alimentos durante a cozedura. Mexa e acomode sempre do exterior para o interior.

### Deixe repousar

O tempo de repouso é necessário após a cozedura, pois permite que o calor seja distribuído uniformemente pela comida.

<b>Características dos alimentos</b>	
<b>Composição</b>	Alimentos ricos em gorduras ou açúcar (por ex., bolo de Natal, tartes de carne) exigem menos tempo de aquecimento. Deve ter-se cuidado, pois o sobreaquecimento pode provocar um incêndio. Os ossos nos alimentos conduzem o calor, cozinhando os alimentos mais rapidamente. Deve ter-se o cuidado de garantir que os alimentos são cozinhados uniformemente.
<b>Densidade</b>	A densidade dos alimentos afeta a quantidade de tempo de cozedura necessária. Alimentos leves e porosos, como bolos ou pão, são cozinhados mais depressa do que alimentos pesados, densos, como assados ou guisados.
<b>Quantidade</b>	O número de micro-ondas no seu forno é sempre o mesmo, independentemente da forma como os alimentos estão a ser cozinhados. O tempo de cozedura deve ser aumentado conforme aumenta a quantidade de alimentos colocados no forno. Por ex., quatro batatas demoram mais a cozinhar do que duas.
<b>Medida</b>	Alimentos e pedaços pequenos cozinham-se mais depressa do que alimentos grandes, pois as micro-ondas podem penetrar de todos os lados até ao centro. Para cozinhar uniformemente, prepare os pedaços todos do mesmo tamanho.
<b>Forma</b>	Alimentos com formas irregulares, como peito ou coxas de frango, demoram mais tempo a cozinhar nas partes mais espessas. Para cozinhar uniformemente, coloque as partes mais espessas viradas para fora do prato, onde poderão receber mais energia. Formas arredondadas cozinham mais uniformemente do que formas quadradas em fornos micro-ondas.
<b>Temperatura dos alimentos</b>	A temperatura inicial dos alimentos afeta a quantidade de tempo de cozedura necessário. Alimentos frios demoram mais tempo a cozinhar do que alimentos à temperatura ambiente. A temperatura do recipiente não é um indicador verdadeiro da temperatura dos alimentos ou das bebidas. Corte os alimentos com recheio, por exemplo, donuts com recheio, para soltar o calor ou o vapor



**ATENÇÃO:** Cara e Mãos: Use sempre luvas para retirar os alimentos ou a loiça do forno. Afaste-se quando abrir a porta, para permitir que o calor ou vapor dispersem. Quando retirar coberturas (como película aderente), abrir sacos de assar ou embalagens de pipocas, direcione o vapor para longe da sua cara e mãos.



**ATENÇÃO:** Verifique a temperatura dos alimentos e bebidas e misture antes de servir. Tenha particular atenção quando servir bebés, crianças ou idosos. O conteúdo de biberons e boiões de comida devem ser mexidos ou agitados e a temperatura verificada antes de se consumir, de modo a evitar queimaduras.

# CONSELHOS SOBRE DESCONGELAR

Usar o micro-ondas é o método mais rápido para descongelar. É um processo simples, porém as seguintes instruções são essenciais para garantir que os alimentos são devidamente descongelados.

- Retire todo o tipo de embalagens e invólucros antes de descongelar.
- Para descongelar alimentos, use os níveis de potência do micro-ondas de 30P ou 10P.
- Consulte a informação seguinte em baixo.

## **Volte a acomodar**

Os alimentos que estão virados para fora no prato descongelar-se-ão mais rapidamente do que os alimentos no centro. Por isso, é essencial voltar a acomodá-los até 4 vezes durante o processo.

Mude as peças de viradas para fora para o meio e volte a acomodar as zonas de sobreposição.

Isto irá garantir que todas as peças ficarão uniformemente descongeladas.

## **Separe**

Os alimentos podem estar presos uns aos outros quando retirados do congelador. É importante separar os alimentos assim que for possível durante a descongelação.

Por ex., fatias de bacon, bifes de peru.

## **Proteja**

Algumas zonas dos alimentos que estão a ser descongelados podem ficar quentes. Para evitar que estas se aqueçam demasiado e comecem a cozinhar, elas podem ser cobertas com pequenos pedaços de película que reflita as micro-ondas, por ex., coxas e asas de um frango.

## **Deixe repousar**

O tempo de repouso é necessário para garantir que os alimentos são totalmente descongelados

O processo de descongelar não termina quando se retiram os alimentos do micro-ondas. Os alimentos devem repousar, tapados, durante um certo período de tempo para garantir que ficam completamente descongelados.

## **Vire ao contrário**

É essencial que todos os alimentos sejam virados ao contrário pelo menos 4 vezes durante o descongelar.

Isto é importante para garantir um descongelar completo.

## CONSELHOS SOBRE REAQUECER

Para o reaquecimento de alimentos, siga os conselhos e instruções em baixo para garantir que os alimentos são devidamente aquecidos antes de os servir.

### Refeições no prato

Retire todo o tipo de doses de carne ou aves; aqueça-as separadamente, veja em baixo.

Coloque os pedaços mais pequenos de comida no meio do prato e os maiores nas bordas. Cubra com película aderente ventilada para o micro-ondas e reaqueça em 50P. Misture/volte a acomodar a meio do processo de reaquecimento.

**NOTA:** Certifique-se de que os alimentos foram totalmente reaquecidos antes de os servir.

### Carne fatiada

Cubra com película aderente ventilada para o micro-ondas e reaqueça em 50P. Volte a acomodar os alimentos pelo menos uma vez para garantir um reaquecimento uniforme.

**NOTA:** Verifique-se de que a carne foi totalmente reaquecida antes de servir.

### Doses de frango

Coloque os pedaços mais espessos da dose virados para a borda do prato, cubra com película aderente ventilada para o micro-ondas e reaqueça em 70P.

Vire ao contrário a meio do processo de reaquecimento.

**NOTA:** Verifique que as aves foram totalmente reaquecidas antes de servir.

### Guisados

Cubra com película aderente ventilada para o micro-ondas ou com uma tampa apropriada e reaqueça em 50P.

Mexa com frequência para garantir um reaquecimento uniforme.

**NOTA:** Certifique-se de que os alimentos foram totalmente reaquecidos antes de os servir.

Para alcançar os melhores resultados quando quiser reaquecer, escolha um nível de potência do micro-ondas apropriado para esse tipo de alimento, por ex., uma taça com legumes pode ser reaquecida usando 100P, enquanto que uma lasanha, que tem ingredientes que não podem ser misturados, deve ser reaquecida em 50P.

### NOTAS:

- Retire os alimentos de recipientes de plástico ou metal antes de os reaquecer.
- O tempo de reaquecimento é afetado pela forma, densidade, quantidade e temperatura dos alimentos, bem como pelo tamanho, forma e material do recipiente.



**ATENÇÃO:** Nunca aqueça líquidos em recipientes com um gargalo estreito, pois isto pode provocar uma erupção do conteúdo e pode causar queimaduras.

- Para evitar sobreaquecimento e incêndios, devem ser tidos cuidados especiais quando reaquecer alimentos com grande quantidade de açúcar ou gordura, como por exemplo, tortas ou doces de Natal.
- Nunca aqueça óleo ou gordura para fritar, pois isto pode levar a um sobreaquecimento e incêndio.
- Batatas enlatadas não devem ser aquecidas no forno de micro-ondas. Siga as instruções do produtor na embalagem.



**ATENÇÃO:** O conteúdo de biberons e boiões de comida de bebé deve ser mexido ou agitado e a temperatura verificada antes de consumir, para evitar queimaduras.

# RESOLUÇÃO DE PROBLEMAS

Caso considere que o forno não está a funcionar devidamente, há alguns pontos que pode verificar sozinho, antes de contactar um engenheiro. Isto ajudará a evitar chamadas desnecessárias para a assistência técnica, caso o problema seja algo simples.

Siga este exame simples:

Coloque meio copo de água na base lisa e feche a porta. Programe o forno para cozinhar durante 1 minuto usando a potência de micro-ondas de 100P.

1. A lâmpada do forno acende-se enquanto se cozinha?
2. A ventoinha de arrefecimento funciona? (Verifique colocando a mão por cima da abertura de ventilação.)
3. Ao fim de 1 minuto ouve-se o sinal sonoro?
4. A água no copo está quente? Retire o copo de água do forno e feche a porta. Programe o forno para cozinhar 3 minutos com o grill.
5. Ao fim de 3 minutos, o elemento aquecedor do grill ficou vermelho? Se responder "NÃO" a alguma destas questões, verifique em primeiro lugar se o forno está devidamente ligado à corrente e se o fusível não disparou. Se não houver nenhum problema com nenhuma destas coisas, verifique novamente a tabela de resolução de problemas em baixo.



**ATENÇÃO: Nunca ajuste, repare ou altere o forno sozinho. É perigoso para alguém que não um engenheiro formado da SHARP efetuar trabalhos de manutenção ou reparação. Isto é importante, pois pode envolver a remoção de capas que fornecem proteção contra a energia de micro-ondas.**

- As vedações da porta impedem a fuga de micro-ondas durante o funcionamento do forno, mas não são herméticas. É normal ver gotas de água, luz, ou sentir ar quente perto da porta do forno. Alimentos com muita humidade irão libertar vapor e provocar condensação dentro da porta, que poderá gotejar do forno.
- Reparções e alterações: Se o forno não estiver a funcionar corretamente, não tente colocá-lo em funcionamento.
- Estrutura exterior e acesso à lâmpada: Nunca retire a estrutura exterior. Isto é muito perigoso devido à alta voltagem de peças no interior que não devem ser tocadas nunca, pois isso pode ser fatal. O seu forno não vem com uma capa de acesso à lâmpada. Se a lâmpada se fundir, não tente substituí-la sozinho, ligue a uma unidade de assistência técnica da SHARP.

## TABELA DE RESOLUÇÃO DE PROBLEMAS

PERGUNTA	RESPOSTA
Há uma corrente de ar a circular à volta da porta.	Enquanto o forno trabalha, circula ar dentro da cavidade. A porta não veda de forma hermética, pelo que pode sair ar através dela.
Forma-se condensação dentro do forno, que pode pingar da porta.	A cavidade do forno normalmente está mais fria do que os alimentos que estão a ser cozinhados, por isso o vapor produzido durante a cozedura irá condensar na superfície mais fria. A quantidade de vapor produzido depende do teor de água no alimento a ser cozinhado. Alguns alimentos, como batatas, têm um alto teor de água. A condensação presa no vidro da porta deve desaparecer ao fim de algumas horas.
Clarões e faíscas dentro da cavidade enquanto se cozinha.	Quando um objeto metálico se aproxima muito da cavidade do forno durante a cozedura podem ocorrer faíscas. Isto poderá tornar a superfície da cavidade mais áspera, mas não irá danificar de outro modo o forno.
Batatas com faíscas	Certifique-se de que todos os "olhos" das batatas foram retirados e de que foram furadas. Coloque-as diretamente sobre a base lisa, ou numa travessa resistente ao calor, ou semelhante.
O mostrador está aceso, mas o painel de controlo não funciona quando se carrega nele.	Verifique se a porta está devidamente fechada.
O forno cozinha muito devagar.	Verifique que selecionou o nível de potência correto.
O forno faz barulho.	A energia das micro-ondas vai pulsando durante a cozedura/descongelação.
A estrutura exterior está quente.	A estrutura pode ficar quente - mantenha as crianças afastadas.

## INTERFERÊNCIA DE RÁDIO

A utilização do micro-ondas pode interferir com o seu rádio, televisão ou equipamento semelhante. Quando houver interferência, esta pode ser reduzida ou eliminada seguindo as seguintes medidas:

1. Limpe a porta e a superfície de vedação do forno.
2. Volte a orientar a antena de receção de rádio ou televisão.
3. Mude a localização do forno micro-ondas em relação ao recetor.
4. Afaste o forno micro-ondas do recetor.
5. Ligue o forno micro-ondas a uma tomada diferente, para que este e o recetor se encontrem em circuitos diferentes.

## ANTES DE LIGAR À ASSISTÊNCIA TÉCNICA

Antes de ligar à assistência técnica verifique cada um dos pontos em baixo:

- Verifique se o forno está ligado à tomada com firmeza. Se não, retire a ficha da tomada, aguarde 10 segundos e volte a ligá-la com firmeza.
- Verifique se algum fusível saltou ou se um disjuntor disparou. Caso pareçam funcionar corretamente, teste a tomada com outro eletrodoméstico.
- Verifique se o painel de controlo está devidamente programado e se o temporizador está definido.
- Verifique se a porta está devidamente fechada, com o sistema de bloqueio da porta encaixado. Se a porta não estiver devidamente fechada, o micro-ondas não irá funcionar.

SE NENHUM DOS PONTOS ACIMA CORRIGIR A SITUAÇÃO, CONTACTE A LINHA DE APOIO DA SHARP. NÃO TENTE AJUSTAR OU REPARAR O FORNO SOZINHO.

**Attention :**

Votre produit est marqué avec ce symbole. Cela signifie que les produits électriques et électroniques usagés ne doivent pas être mélangés avec les déchets ménagers généraux. Un système de collecte séparé est prévu pour ces produits.

## A. Informations sur la mise au rebut à l'intention des utilisateurs privés (ménages)

### 1. Au sein de l'Union européenne

Attention : si vous souhaitez mettre cet appareil au rebut, ne le jetez pas dans une poubelle ordinaire !

Les appareils électriques et électroniques usagés doivent être traités séparément et conformément aux lois en vigueur en matière de traitement, de récupération et de recyclage adéquats de ces appareils.

Suite à la mise en œuvre de ces dispositions dans les États membres, les ménages résidant au sein de l'Union européenne peuvent désormais rapporter gratuitement\* leurs appareils électriques et électroniques usagés sur des sites de collecte désignés.

Dans certains pays\*, votre détaillant reprendra également gratuitement votre ancien produit si vous achetez un produit neuf similaire.

\*) Veuillez contacter votre administration locale pour plus de renseignements.

Si vos appareils électriques ou électroniques usagés sont équipés de piles ou d'accumulateurs, veuillez les éliminer séparément, conformément aux prescriptions locales. En éliminant correctement ce produit, vous contribuerez à garantir que les déchets subissent le traitement, la valorisation et le recyclage nécessaires et à prévenir ainsi les effets négatifs potentiels sur l'environnement et la santé humaine qui pourraient autrement résulter d'une manipulation inappropriée des déchets.

### 2. Pays hors de l'Union européenne

Si vous souhaitez mettre ce produit au rebut, veuillez contacter votre administration locale qui vous renseignera sur la méthode d'élimination correcte de cet appareil.

Suisse : les équipements électriques ou électroniques usagés peuvent être ramenés gratuitement au détaillant, même si vous n'achetez pas un nouvel appareil. Pour obtenir la liste des autres sites de collecte, veuillez vous reporter à la page d'accueil du site [www.swico.ch](http://www.swico.ch) ou [www.sens.ch](http://www.sens.ch).

## B. Informations sur la mise au rebut à l'intention des entreprises

### 1. Au sein de l'Union européenne

Si ce produit est utilisé dans le cadre des activités de votre entreprise et que vous souhaitez le mettre au rebut :

Veuillez contacter votre revendeur SHARP qui vous informera des conditions de reprise du produit. Des frais de reprise et de recyclage pourront vous être facturés. Les produits de petite taille (et en petites quantités) pourront être repris par vos organisations de collecte locales.

Espagne : veuillez contacter l'organisation de collecte existante ou votre administration locale concernant les modalités de reprise de vos produits usagés.

### 2. Pays hors de l'Union européenne

Si vous souhaitez mettre ce produit au rebut, veuillez contacter votre administration locale qui vous renseignera sur la méthode d'élimination correcte de cet appareil.



## PRÉCAUTIONS POUR ÉVITER UNE EXPOSITION POSSIBLE À UNE ÉNERGIE EXCESSIVE DE MICRO-ONDES

1. Ne tentez pas d'utiliser ce four avec la porte ouverte car cela peut entraîner une exposition nocive à l'énergie des micro-ondes. Il est important de ne pas rompre ou manipuler les dispositifs de verrouillages de sécurité.
2. N'insérez aucun objet entre la face avant du four et la porte ou ne laissez pas accumuler de la saleté ou des résidus de nettoyage sur les surfaces d'étanchéité.
3. N'utilisez pas le four s'il est endommagé. Il est très important que la porte du four ferme correctement et qu'il n'y ait aucun dommage à la porte, aux charnières, aux serrures ou aux joints de porte et aux surfaces d'étanchéité.
4. N'essayez pas de réparer ou d'ajuster le four.

## TABLE DES MATIÈRES

INSTRUCTIONS IMPORTANTES DE SÉCURITÉ.....	3
INSTALLATION.....	14
SPÉCIFICATIONS.....	16
FOUR ET ACCESSOIRES.....	17
PANNEAU DE COMMANDE.....	18
AVANT LA MISE EN SERVICE.....	19
RÉGLAGE DE L'HORLOGE.....	19
CUISSON EXPRESS.....	19
CUISSON AU MICRO-ONDES.....	19
GRIL.....	19
MICRO-ONDES+GRIL.....	20
CONVECTION.....	20
MICRO-ONDES+CONVECTION.....	20
DÉCONGÉLATION PAR POIDS.....	20
DÉCONGÉLATION PAR TEMPS.....	21
MINUTERIE.....	21
FONCTION FAVORI.....	21
FONCTION D'ÉCONOMIE D'ÉNERGIE.....	21
FONCTION MUET.....	22
VERROUILLAGE ENFANT.....	22
Serrure de sécurité.....	22
MÉCANISME DE PROTECTION AUTOMATIQUE.....	22
CUISSON AUTOMATIQUE.....	22
NETTOYAGE ET ENTRETIEN.....	23
BIEN CHOISIR LA VAISSELLE.....	24
CONSEILS POUR LA CUISSON AU MICRO-ONDES.....	25
CONSEILS POUR LA DÉCONGÉLATION.....	27
CONSEILS POUR LE RÉCHAUFFAGE.....	28
DÉPANNAGE.....	29
PERTURBATIONS RADIO.....	30
AVANT D'APPELER L'ASSISTANCE.....	30

## INSTRUCTIONS IMPORTANTES DE SÉCURITÉ

**VEUILLEZ LES LIRE ATTENTIVEMENT ET LES CONSERVER POUR TOUTE RÉFÉRENCE ULTÉRIEURE**

**Pour éviter tout danger d'incendie.**

**Vous devez surveiller le four durant son fonctionnement. Un niveau de puissance trop élevé, ou un temps de cuisson trop long, peuvent entraîner une augmentation de la température des aliments et créer un risque d'incendie.**

Ce four est conçu pour être uniquement utilisé sur un plan de travail de cuisine. Il n'est pas conçu pour être installé dans un élément de cuisine.

Veillez ne pas placer le four dans un placard.

La prise secteur doit être facilement accessible, afin que la fiche du cordon d'alimentation puisse être aisément débranchée en cas d'urgence.

La tension d'alimentation doit être égale à 230-240 V, 50 Hz avec un fusible de distribution de 10 A minimum, ou un disjoncteur de 10 A minimum.

Ce four doit être alimenté par un circuit électrique indépendant.

Veillez ne pas placer votre four à proximité d'une zone génératrice de chaleur, par exemple, près d'un four à cuisson conventionnelle. Ne placez pas ce four dans une atmosphère à humidité élevée ou bien où l'humidité peut s'accumuler.

Ne rangez pas et n'utilisez pas le four à l'extérieur.

**Si vous observez la présence de fumée, éteignez**

**ou débranchez le four et laissez la porte fermée afin d'étouffer les flammes.**

**N'utilisez que des récipients et ustensiles compatibles avec la cuisson micro-ondes.**

**Il est nécessaire de vérifier que les ustensiles utilisés sont bien compatibles avec la cuisson micro-ondes.**

**Lorsque vous réchauffez un plat dans un récipient en plastique ou en papier, surveillez le four pour prévenir tout risque d'ignition.**

**Nettoyez le couvercle du guide d'ondes et la cavité du four.**

**Ceux-ci doivent être secs et exempts de graisse.**

**L'accumulation de graisse peut surchauffer et commencer à fumer ou prendre feu.**

Ne placez pas de produits susceptibles de s'enflammer au voisinage du four ou de ses ouvertures de ventilation.

N'obstruez pas les ouvertures de ventilation.

Retirez toutes les étiquettes, fils, etc., métalliques qui peuvent se trouver sur l'emballage des aliments. Ces éléments métalliques peuvent entraîner la formation d'un arc électrique et causer un incendie.

N'utilisez pas ce four micro-ondes pour faire de la friture. La température de l'huile ne peut pas être contrôlée et l'huile risquerait de s'enflammer.

Pour faire des popcorns, n'utilisez que des ustensiles conçus pour les fours à micro-ondes.

---

Ne conservez aucun aliment ou produit à l'intérieur du four.

Vérifiez les réglages après la mise en service du four et assurez-vous que le four fonctionne correctement.

Ne laissez pas le four sans surveillance pendant qu'il fonctionne.

Pour éviter toute surchauffe et tout incendie, faites attention lorsque vous cuisinez ou réchauffez des plats ayant une forte proportion de sucre ou de graisse, par exemple des saucisses, des tartes ou des gâteaux.

Référez-vous aux conseils correspondants dans le mode d'emploi.

### **Pour éviter toute blessure.**

#### **AVERTISSEMENT :**

N'utilisez pas le four s'il est endommagé ou ne fonctionne pas normalement. Vérifiez les points suivants avant toute utilisation du four.

- a) Assurez-vous que la porte ferme correctement, qu'elle ne présente pas de défaut d'alignement et qu'elle n'est pas voilée.
- b) Assurez-vous que les charnières et les loquets de la porte de sécurité ne sont pas brisés ou lâches.
- c) Assurez-vous que les joints de porte et surfaces de contact ne sont pas endommagés.
- d) Assurez-vous que l'intérieur de la cavité et de la porte n'est pas cabossé.
- e) Assurez-vous que le cordon d'alimentation et sa prise ne sont pas endommagés.

Si la porte ou les joints de porte sont endommagés,

n'utilisez pas le four jusqu'à ce qu'il soit réparé par du personnel qualifié.

**Ne jamais régler, réparer ou modifier le four vous-même.**

**Il est dangereux pour quiconque autre qu'une personne compétente d'effectuer toute opération d'entretien ou de réparation qui implique le retrait d'un couvercle qui protège contre l'exposition à l'énergie micro-ondes.**

Ne faites pas fonctionner le four avec la porte ouverte et ne modifiez pas les loquets de sécurité de la porte d'une quelconque manière. N'utilisez pas le four si un objet est interposé entre le joint de porte et la surface de contact du joint.

**Évitez que la graisse ou la saleté ne s'accumulent sur le joint de porte ou sur la surface des pièces proches. Nettoyez le four à intervalles réguliers et retirez tous les dépôts de nourriture.**

**Suivez les instructions d'« Entretien et nettoyage ». Le non-respect des consignes de nettoyage du four entraînera une détérioration des surfaces susceptible d'affecter le bon fonctionnement de l'appareil et de présenter des risques.**

Si vous avez un STIMULATEUR CARDIAQUE, consultez votre médecin ou le fabricant du stimulateur afin de vous renseigner sur les précautions à prendre lors de l'utilisation du four.

**Pour éviter toute décharge électrique.**

Ne retirez en aucun cas le boîtier externe.

---

N'introduisez aucun objet ou liquide dans les ouvertures des verrous de la porte ou dans les ouvertures d'aération. Si un liquide pénètre dans le four, mettez immédiatement le four hors tension, débranchez la fiche du cordon d'alimentation et adressez-vous à un technicien d'entretien agréé par SHARP.

Ne plongez jamais la fiche du cordon d'alimentation dans l'eau ou tout autre liquide.

Veillez à ce que le cordon d'alimentation ne pende pas à l'extérieur de la table ou du meuble sur lequel est posé le four.

Veillez à ce que le cordon d'alimentation soit éloigné des surfaces chauffées, y compris de l'arrière du four. Gardez l'appareil et son cordon d'alimentation hors de portée des enfants de moins de 8 ans.

Ne tentez pas de remplacer vous-même la lampe du four et ne laissez personne d'autre qu'un électricien agréé par SHARP faire ce travail. Si la lampe du four grille, adressez-vous au revendeur ou à un agent d'entretien agréé par SHARP.

Si le cordon d'alimentation de cet appareil est endommagé, il doit être remplacé par un cordon spécifique.

L'échange doit être opéré par un agent d'entretien autorisé SHARP.

**Pour éviter toute explosion ou ébullition soudaine :**

**AVERTISSEMENT : Les liquides ou autres aliments ne doivent pas être réchauffés dans des récipients**

**fermés, ceux-ci étant susceptibles d'exploser. Le réchauffage des boissons au micro-ondes peut entraîner une ébullition explosive différée; faites donc bien attention lors de la manipulation du récipient.**

N'utilisez jamais de récipient scellé. Retirez tout ruban d'étanchéité et couvercle avant l'utilisation. La surpression dans un récipient scellé peut provoquer une explosion, même après l'arrêt du four.

Prenez des précautions lorsque vous employez votre four à micro-ondes pour chauffer des liquides. Utilisez des récipients à ouverture large de manière à ce que les bulles puissent s'échapper.

**Ne chauffez pas de liquide dans un récipient à col étroit tel qu'un biberon car le contenu du récipient peut déborder rapidement et provoquer des brûlures.**

Pour éviter tout débordement de liquide bouillant et brûlure éventuelle :

1. N'utilisez pas de temps de cuisson trop longs.
2. Remuez le liquide avant le chauffage/réchauffage.
3. Il est recommandé de placer une tige de verre ou un objet similaire (non métallique) dans le liquide durant le réchauffage.
4. Conservez le liquide pendant au moins 20 secondes dans le four une fois le chauffage terminé, de manière à éviter toute ébullition soudaine différée.

**Veillez ne pas cuire d'œuf dans leur coquille et ne pas réchauffer d'œuf dur entier dans le four**

---

**micro-ondes, ceux-ci risquant d'exploser même après la cuisson. Pour cuire ou réchauffer des œufs qui n'ont pas été brouillés ou mélangés, percez le jaune et le blanc afin d'éviter qu'ils n'explodent. Retirez la coquille des œufs durs et coupez les œufs en tranches avant de les réchauffer dans un four à micro-ondes.**

Percez la peau des aliments tels que pommes de terre et saucisses avant de les cuire, ceux-ci pouvant exploser.

### **Pour éviter toute brûlure**

**AVERTISSEMENT : Il faut remuer ou agiter le contenu des biberons et pots pour bébé et vérifier leur température avant leur consommation pour éviter toute brûlure.**

**Utilisez un porte-récipient ou des gants de cuisine anti-chaueur lorsque vous retirez les aliments du four de façon à éviter toute brûlure.**

Ouvrez les récipients, les plats à popcorn, les sachets de cuisson, etc. de manière à ce que la vapeur qui s'en échappe ne puisse pas vous brûler les mains ou le visage et pour empêcher toute ébullition éruptive. Pour éviter de vous brûler, vérifiez toujours la température des aliments et mélangez bien avant le service. Faites particulièrement attention aux aliments et boissons destinés aux bébés, enfants et personnes âgées. Des pièces accessibles peuvent chauffer durant l'utilisation. Gardez les jeunes enfants à distance du four.



La température du récipient n'est pas un bon indicateur de la température des aliments, vérifiez toujours la température des aliments.

Tenez-vous éloigné du four lors de l'ouverture de la porte, de manière à éviter toute brûlure due à la vapeur ou à la chaleur.

Coupez en tranches les plats cuisinés farcis après chauffage afin de laisser s'échapper la vapeur et d'éviter les brûlures.

Ne laissez pas les enfants s'approcher de la porte pour éviter qu'ils ne se brûlent.

## **Pour éviter toute mauvaise utilisation par les enfants**

**AVERTISSEMENT : Autorisez uniquement les enfants âgés de 8 ans et plus à utiliser le four sans surveillance lorsque des instructions appropriées ont été données afin que l'enfant puisse utiliser le four de façon sûre et comprenne les dangers d'une mauvaise utilisation. Lorsque l'appareil fonctionne en mode GRIL, MIX GRIL ou MENU AUTO, les enfants ne doivent pas utiliser le four sans la surveillance d'un adulte en raison de la température générée.**

**Cet appareil n'est pas conçu pour être utilisé par des personnes (y compris des enfants) à capacités physiques, sensorielles ou intellectuelles réduites ou sans expérience et connaissances, à moins qu'ils soient sous surveillance ou bien qu'ils aient été informés quant à l'utilisation de l'appareil de**

---

**manière sûre par une personne responsable de leur sécurité. Les enfants doivent être surveillés pour s'assurer qu'ils ne jouent pas avec l'appareil. Les modèles avec écran tactile électronique sont pourvus d'un mode verrouillage enfant.**

Ne vous appuyez pas ou ne vous accrochez pas sur la porte du four. N'utilisez pas le four comme un jouet. Vous devez enseigner aux enfants les consignes de sécurité comme l'usage d'un porte-récipient et le retrait avec précaution de l'emballage des produits alimentaires. Vous devez leur dire de porter une attention particulière aux emballages conçus pour rendre la nourriture croustillante (par exemple, ceux destinés à griller un aliment) dont la température peut être très élevée.

### **Autres avertissements**

Veillez ne pas modifier le four en aucune manière. Veillez ne pas déplacer le four pendant son fonctionnement.

Cet appareil est destiné à être utilisé pour un usage domestique

Ce four sert à la préparation d'aliments à domicile seulement et ne peut pas être utilisé pour la cuisson d'aliments et de boissons. Le séchage de la nourriture ou de tissus et le chauffage de coussins chauffants, de pantoufles, d'éponges, de linge humide et autres peuvent entraîner des risques de blessures ou d'incendie. Cet appareil ne convient pas pour un usage commercial ou de laboratoire.

## **Pour éviter une anomalie de fonctionnement et pour éviter d'endommager le four.**

N'utilisez jamais ce four à vide. Si vous utilisez un plat brunisseur ou un plat en matière auto-chauffante, interposez une protection contre la chaleur (par exemple, un plat en porcelaine) de manière à ne pas endommager la base du four. Le temps de préchauffage précisé dans le livre de recettes ne doit pas être dépassé.

N'utilisez pas de récipients métalliques, qui reflètent les micro-ondes et peuvent causer des arcs électriques. Ne placez pas de cannettes dans le four.

Pour éviter que la base du four ne cède :

- a) Avant de nettoyer le fond avec de l'eau, laissez le plateau refroidir.
- b) Ne placez pas d'aliments ou d'ustensiles chauds sur la base du four froide.
- c) Ne placez pas d'aliments ou d'ustensiles froids sur la base du four chaude.

Ne posez aucun objet sur le boîtier du four pendant son fonctionnement.

### **REMARQUE :**

N'utilisez pas des récipients en plastique pour la fonction micro-ondes si le four est encore chaud après l'utilisation des fonctions GRIL et MIX GRIL, car ces objets pourraient fondre.

Les récipients en plastique ne doivent pas être utilisés dans les modes ci-dessus, sauf si le fabricant de conteneurs indique qu'ils sont appropriés pour cet usage.

---

Si vous avez des doutes quant à la manière de brancher le four, consultez un technicien qualifié. Ni le fabricant ni le distributeur ne sauraient être tenus responsables des dommages occasionnés au four ou des blessures personnelles qui résulteraient d'une mauvaise observation des consignes de branchement électrique.

Des gouttes d'eau peuvent se former sur les parois de la cavité du four, autour des joints et des surfaces d'étanchéité. Ceci est normal et n'est pas une indication d'un mauvais fonctionnement ou de fuites de micro-ondes.



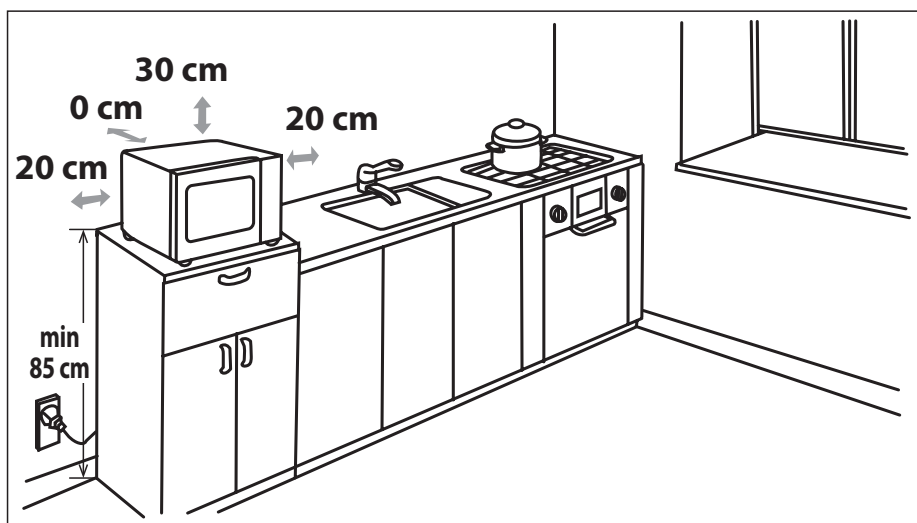
Ce symbole signifie que les surfaces sont susceptibles de chauffer pendant l'utilisation.

## INSTALLATION

1. Retirez tous les éléments d'emballage de l'intérieur de la cavité du four et enlevez le film protecteur protégeant la surface du boîtier du four micro-ondes.
2. Vérifiez soigneusement que le four ne présente aucun signe de dommages.
3. Placez le four sur une surface sûre, plane et suffisamment solide pour supporter le poids du four, plus le poids de l'aliment le plus lourd à cuire dans le four. Ne placez pas le four dans un placard.
4. Sélectionnez une surface plane qui offre suffisamment de place pour les grilles d'aération d'entrée et de sortie. Voir l'image sur la première page.

La surface arrière de l'appareil peut être placée contre un mur.

- La hauteur minimale d'installation est de 85 cm.
- Un espace minimum de 20 cm est requis entre les bords du four micro-ondes et les murs ou objets adjacents.
- Gardez un espace d'au moins 30 cm au-dessus du four.
- Ne retirez pas les pieds du bas du four.
- Bloquer l'entrée et/ou la sortie d'aération peut endommager le four
- Placez le four aussi loin que possible des radios et TV. Le fonctionnement du four à micro-ondes peut causer des interférences sur votre signal radio ou TV.



5. Branchez la fiche du cordon d'alimentation dans une prise murale standard (avec prise de terre).

**AVERTISSEMENT :** Ne placez pas le four dans un endroit générant de la chaleur ou à des niveaux élevés d'humidité (par exemple, près ou au-dessus d'un four conventionnel) ou près de matériaux combustibles (par ex. rideaux).

Ne bloquez ou n'obstruez pas les ouvertures de ventilation.

Ne placez pas d'objet sur le four.

Ne touchez pas l'extérieur du four micro-ondes pendant ou peu après fonctionnement, car il sera chaud.

# SPÉCIFICATIONS

Nom du modèle		YC-GC52FE
Tension d'alimentation		230-240 V, 50 Hz, monophasé
Fusible/disjoncteur de protection		10 A
Consommation électrique :		1400 W
Puissance :	Micro-ondes	900 W
	Gril	1200 W
	Convection	2050 W
	En attente	1,0 W
	Mode économie d'énergie	0,5 W
Fréquence des micro-ondes		2450 MHz*
Dimensions extérieures (L) x (H) x (P) mm		490 x 287 x 495
Dimensions de la cavité (L) x (H) x (P)** mm		330 x 220 x 335
Capacité du four		25 litres**
Porte-grille		∅ 220 mm, H : 85 mm
Plaque de cuisson		∅ 280 mm, H : 49 mm
Poids		environ 18,6 kg
Ampoule du four (type LED)		1,5 W

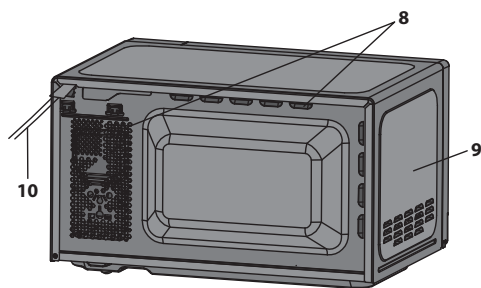
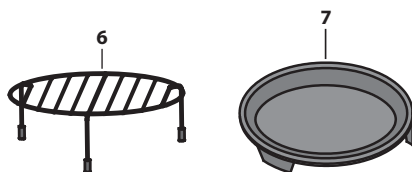
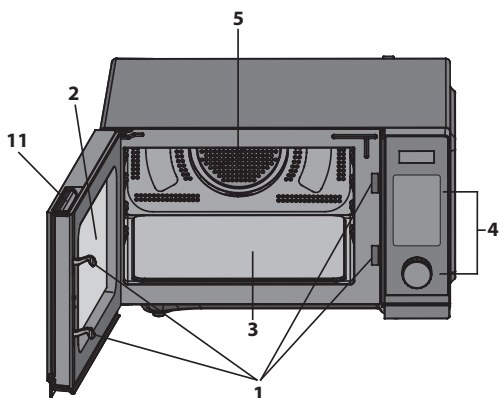
\* - Ce produit répond aux exigences de la norme européenne EN5011. Conformément à cette norme, ce produit est un équipement de groupe 2, classe B. Groupe 2 signifie que cet équipement génère volontairement de l'énergie RF sous forme de rayonnement électromagnétique pour le traitement thermique d'aliments. Classe B signifie que l'équipement est adapté à une utilisation domestique.

\*\* - La capacité intérieure est calculée en multipliant la largeur, la profondeur et la hauteur maximales. La contenance réelle pour les aliments est inférieure à cette valeur

LES SPÉCIFICATIONS PEUVENT ÊTRE CHANGÉES SANS PRÉAVIS LORS D'AMÉLIORATIONS APPORTÉES À L'APPAREIL.

# FOUR ET ACCESSOIRES

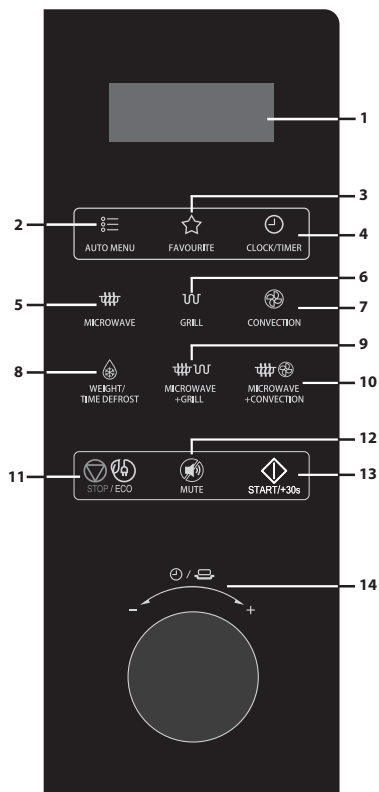
1. Système de verrouillage de sécurité de la porte
2. Vitre du four
3. Plateau de base de la cavité
4. Panneau de commande
5. Chauffe-gril
6. Porte-grille
7. Plaque de cuisson
8. Ouvertures de ventilation
9. Boîtier extérieur
10. Cordon d'alimentation
11. Poignée d'ouverture





## PANNEAU DE COMMANDE

1. **AFFICHAGE** - Temps de cuisson, puissance, indicateurs et horloge sont affichés.
2. **MENU AUTO** - Appuyez sur pour sélectionner le menu de cuisson automatique.
3. **FAVORI** - Utilisez pour stocker des programmes.
4. **HORLOGE/MINUTEUR** - Utilisez pour régler l'horloge. Utilisez la fonction de réglage du minuteur.
5. **MICRO-ONDES** : Appuyez pour sélectionner le niveau de puissance du micro-ondes.
6. **GRIL** - Appuyez pour lancer le programme de cuisson par gril.
7. **CONVECTION** - Appuyez pour lancer le programme de cuisson par convection.
8. **POIDS/TEMPS DE DÉCONGÉLATION** - Appuyez une fois pour décongeler en fonction du poids. Appuyez deux fois pour décongeler en fonction du temps.
9. **MICRO-ONDES+GRIL** - Appuyez sur régler le programme de cuisson combinée micro-ondes et grill.
10. **MICRO-ONDES+CONVECTION** - Appuyez sur régler le programme de cuisson combinée micro-ondes et convection.
11. **ARRÊTER/ECO** - Appuyez une fois pour arrêter temporairement la cuisson, ou deux fois pour annuler la cuisson complètement. Utilisez pour définir le mode d'économie d'énergie.
12. **MUET** - Appuyez une fois pour régler la fonction muet, appuyez à nouveau pour désactiver la fonction muet. Maintenez la touche enfoncée (pendant 3 s.) Pour activer la fonction VERROUILLAGE ENFANT. Appuyez et maintenez à nouveau pour la désactiver.
13. **DÉMARRER/+30s** - Appuyez pour commencer les programmes de cuisson et de décongélation. Appuyez simplement dessus le nombre de fois correspondant pour régler le temps de cuisson et cuire immédiatement à pleine puissance.
14. **TEMPS/POIDS (bouton)** - Tournez pour régler le temps, le poids de la nourriture ou les portions.



## AVANT LA MISE EN SERVICE

- Lorsque du premier branchement du four, un signal sonore retentit et l'écran affiche « **1:01** ».
- Lorsque le four est en mode configuration et que vous n'appuyez sur aucune touche pendant 30 secondes, l'appareil passe en mode veille.
- Pendant la cuisson, appuyez sur **ARRÊTER/ECO** une fois pour mettre en pause le programme, puis appuyez sur **DÉMARRER/+30s** pour reprendre. Quand vous appuyez deux fois sur **ARRÊTER/ECO**, le programme est annulé.
- Lorsque le cycle de cuisson est terminé, l'écran affiche **End** et le signal sonore retentit toutes les deux minutes jusqu'à ce que la porte soit ouverte ou que vous appuyiez sur une touche.

## RÉGLAGE DE L'HORLOGE

Pour régler l'horloge, suivez les instructions ci-dessous :

1. En mode veille, maintenez la touche **HORLOGE/MINUTEUR** pendant 3 secondes pour sélectionner l'horloge de 12 heures, et appuyez à nouveau sur la touche pour sélectionner l'horloge de 24 heures.
2. Tournez le bouton **TEMPS/POIDS** pour régler le nombre des heures.
3. Appuyez sur **DÉMARRER/+30s** une fois.
4. Tournez le bouton **TEMPS/POIDS** pour régler le nombre des minutes.
5. Appuyez sur la touche **HORLOGE/MINUTEUR** pour confirmer.

## CUISSON EXPRESS

Utilisez cette fonction pratique pour que le four démarre immédiatement à 100% de puissance. En mode veille, appuyez sur la touche **DÉMARRER/+30s** à plusieurs reprises pour régler le temps de cuisson (chaque pression augmente le temps de 30 secondes, jusqu'à 10 minutes). Le four démarre automatiquement juste après.

## CUISSON AU MICRO-ONDES

1. En mode veille, appuyez sur **MICRO-ONDES** à plusieurs reprises pour régler le niveau de puissance.
2. Tournez le bouton **TEMPS/POIDS** pour régler le temps de cuisson. Le temps le plus long est de 95 minutes.
3. Appuyez sur **DÉMARRER/+30s** pour confirmer.

Appuyez plusieurs fois sur **MICRO-ONDES** pour sélectionner le niveau de puissance.

Appuyez sur le bouton MICRO-ONDES	Puissance (Affichage)	Appuyez sur le bouton MICRO-ONDES	Puissance (Affichage)
Une seule fois	100 % (P100)	7 fois	40 % (P-40)
Deux fois	90 % (P-90)	8 fois	30 % (P-30)
3 fois	80 % (P-80)	9 fois	20 % (P-20)
4 fois	70 % (P-70)	10 fois	10 % (P-10)
5 fois	60 % (P-60)	11 fois	0 % (P-00)
6 fois	50 % (P-50)		

**REMARQUE :** Pendant la cuisson, vous pouvez vérifier la puissance en appuyant sur la touche **MICRO-ONDES**.

## GRIL

La cuisson au gril est particulièrement utile pour les fines tranches de viande, steaks, côtelettes, brochettes, saucisses et morceaux de poulet. Elle est également adaptée pour les sandwiches chauds et plats gratinés.

1. En mode veille, appuyez sur la touche **GRIL** une fois.
2. Tournez le bouton **TEMPS/POIDS** pour régler le temps de cuisson. Le temps le plus long est de 95 minutes.
3. Appuyez sur la touche **DÉMARRER/+30s** pour démarrer.

## MICRO-ONDES+GRIL

**Combinaison 1** : 30% du temps en cuisson micro-ondes, 70% du temps en cuisson au gril. À utiliser pour le poisson ou les gratins.

**Combinaison 2** : 55% du temps en cuisson micro-ondes, 45% du temps en cuisson au gril. À utiliser pour les pommes de terre cuites, les omelettes et la volaille.

1. En mode veille, appuyez sur **MICRO-ONDES+GRIL** une ou deux fois pour sélectionner « Co-1 » ou « Co-2 ».
2. Tournez le bouton **TEMPS/POIDS** pour régler le temps de cuisson. Le temps le plus long est de 95 minutes.
3. Appuyez sur la touche **DÉMARRER/+30s** pour démarrer.

**REMARQUE** : Pendant la cuisson, vous pouvez vérifier le mode de combinaison en appuyant sur la touche **MICRO-ONDES+GRIL**.

## CONVECTION

Pendant la cuisson par convection, l'air chaud circule dans toute la cavité du four et grille rapidement et uniformément les aliments croustillants. Ce four peut être programmé pour treize différentes températures de cuisson (230°C, 220°C, 210°C, 200°C, 190°C, 180°C, 170°C, 160°C, 150°C, 140°C, 130°C, 120°C, 110°C).

**Pour réchauffer et cuire en utilisant la fonction de convection, suivez les instructions ci-dessous :**

Votre four peut être programmé pour combiner le préchauffage et la cuisson par convection.

1. En mode veille, appuyez sur la touche **CONVECTION** pour sélectionner la température de convection.
2. Appuyez sur la touche **DÉMARRER/+30s** pour commencer. Un signal sonore retentit lorsque la température désignée est atteinte.
3. Ouvrez la porte et placez le contenant de la nourriture au centre du plateau.
4. Tournez le bouton **TEMPS/POIDS** pour régler le temps de cuisson. Le temps le plus long est de 95 minutes.
5. Appuyez sur la touche **DÉMARRER/+30s** pour démarrer.

**REMARQUE** : Lorsque la température de préchauffage de convection est atteinte, le four émet un signal sonore toutes les deux secondes, et la température de préchauffage sera maintenue pendant 30 minutes.

## MICRO-ONDES+CONVECTION

Le mode Micro-ondes+convection rend la cuisson plus facile et rapide.

Il y a quatre réglages pré-programmés pour cette fonction, comme décrit ci-dessous :

230°C : approprié pour la viande épaisse et difficile à cuire, comme le poulet, entier ou simplement une cuisse ou une aile.

200°C : peut être utilisé pour la viande fine et qui cuit plus rapidement, comme le poisson ou le steak.

170°C et 140°C : ces modes sont adaptés pour la viande en tranches et aliments semi-traités, par exemple le bacon et les saucisses.

1. En mode veille, appuyez sur la touche **MICRO-ONDES+CONVECTION** à plusieurs reprises pour sélectionner la température de convection (230°C, 200°C, 170°C, 140°C).
2. Tournez le bouton **TEMPS/POIDS** pour régler le temps de cuisson. Le temps le plus long est de 95 minutes.
3. Appuyez sur la touche **DÉMARRER/+30s** pour démarrer.

**REMARQUE** : Pendant la cuisson, vous pouvez vérifier la température en appuyant sur la touche **MICRO-ONDES+CONVECTION**.

## DÉCONGÉLATION PAR POIDS

1. En mode veille, appuyez sur la touche **Décongélation par POIDS/TAILLE** une fois.
2. Tournez le bouton **POIDS/TAILLE** pour régler le poids des aliments. Le poids va de 100 g à 2000 g.
3. Appuyez sur la touche **DÉMARRER/+30s** pour confirmer.

**REMARQUE** : Pendant la décongélation, le système se met en pause émet un son pour vous rappeler de retourner la nourriture. Après cela, appuyez sur **DÉMARRER/+30s** pour reprendre.

**Tableau de décongélation en fonction du poids**

<b>Poids [kg]</b>	0,1	0,2	0,3	0,4	0,5	0,6	0,7	0,8	0,9	1,0	1,1	1,2	1,3	1,4	1,5	1,6	1,7	1,8	1,9	2,0
<b>Durée [min]</b>	3	5	7	9	11	13	15	17	19	21	23	25	27	29	31	33	35	37	39	41

## DÉCONGÉLATION PAR TEMPS

1. En mode veille, appuyez sur la touche **DÉCONGÉLATION PAR POIDS/TAILLE** deux fois.
2. Tournez le bouton **TEMPS/POIDS** pour régler le temps de décongélation. Le temps le plus long est de 95 minutes.
3. Appuyez sur la touche **DÉMARRER/+30s** pour confirmer.

**REMARQUE :** Lorsque vous utilisez la fonction de décongélation par temps, le micro-ondes cuira à 40 % de la puissance, puis à 30 % de la puissance, après quoi il permettra d'ouvrir la porte et de retourner la nourriture. Lors de la cuisson, lorsque vous appuyez sur **DÉMARRER/+30s**, il cuira à une puissance de 20 %.

## MINUTERIE

1. Appuyez la touche **HORLOGE/MINUTEUR** fois.
  2. Tournez le bouton **TEMPS/POIDS** pour régler le temps souhaité. Le temps le plus long est de 95 minutes.
  3. Appuyez sur la touche **DÉMARRER/+30s** pour confirmer.
- Pour annuler le programme du minuteur, appuyez la touche **ARRÊTER/ECO** bouton et l'écran affichera l'heure.

## FONCTION FAVORI

Il y a 3 favoris dans cette fonction, chacun pouvant être réglé avec 1 séquence de cuisson.

**Pour enregistrer :**

1. En mode veille, appuyez sur la touche **FAVORI** une fois, deux fois ou 3 fois.
2. Entrez le programme de cuisson désiré (y compris la cuisson en plusieurs étapes).
3. Appuyez sur la touche **DÉMARRER/+30s** pour confirmer.

**Pour commencer :**

1. En mode veille, appuyez sur la touche **FAVORI** une fois, deux fois ou 3 fois pour sélectionner le programme de cuisson.
2. Appuyez sur la touche **DÉMARRER/+30s** pour démarrer.

**Pour effacer :**

En mode veille, appuyez sur la touche **FAVORI** une fois, deux fois ou 3 fois.

Maintenez la touche **FAVORI** enfoncée pendant 3 secondes, l'écran affiche « **CLr** » pendant 5 secondes et le four repasse en mode veille.

**REMARQUE :**

- Vous ne pouvez que des programmes de micro-ondes, gril, convection, micro-ondes+grill et micro-ondes+convection.
- La programmation des favoris sera conservée dans la mémoire même lorsque l'alimentation est coupée.
- Il est seulement possible de stocker 3 programmes favoris. Si vous souhaitez en ajouter plus, supprimez-en un autre.
- Si le contenu des favoris est vide, le code de favori clignote. En cas de contenu présent dans les favoris, le code favori est toujours affiché.

## FONCTION D'ÉCONOMIE D'ÉNERGIE

**Réglage :** En mode veille, maintenez la touche **ARRÊTER/ECO** enfoncée pendant 3 secondes, l'écran s'éteint alors. Le four passe en mode d'économie d'énergie.

**Annuler :** En mode d'économie d'énergie, la fonction peut être annulée en appuyant sur une touche ou en ouvrant/fermant la porte du four une fois.

## FONCTION MUET

Pour définir la fonction muet, appuyez sur la touche **MUET** une fois, puis l'écran affiche « **OFF** » pendant 3 secondes. En mode muet, il n'y aura aucun son lorsque vous appuyez sur les touches.

Pour annuler la fonction muet, appuyez sur la touche **MUET** une fois, puis l'écran affiche « **Activer** » pendant 3 secondes.

## VERROUILLAGE ENFANT

1. Pour régler le VERROUILLAGE ENFANT, maintenez la touche **MUET** pendant 3 secondes, un long signal sonore retentit et l'écran indique « **LOC** ». Le four est maintenant en mode VERROUILLAGE ENFANT. Dans ce mode, l'écran affiche l'horloge. Si une touche est enfoncée ou que la porte est ouverte, « **LOC** » s'affiche pendant dix secondes.
2. Pour annuler le VERROUILLAGE ENFANT, appuyez sur la touche **MUET** pendant 3 secondes jusqu'à ce qu'un long signal sonore s'active.

## SERRURE DE SÉCURITÉ

Utilisez cette fonction pour empêcher une utilisation non supervisée du four par des enfants.

**Réglage** : En mode veille, s'il n'y a pas d'opération pendant une minute, le four se met automatiquement en mode de verrouillage de sécurité et le voyant lumineux de verrouillage s'allume. Dans l'état de verrouillage, tous les boutons sont désactivés. Si vous appuyez sur une touche, l'indication de verrouillage apparaît sur l'écran pendant 5 secondes pour rappeler à l'utilisateur d'annuler le verrou de sécurité.

Pour désactiver le verrou de sécurité, il suffit d'ouvrir la porte du micro-ondes, et le clavier redeviendra actif et le voyant de verrouillage s'éteindra.

## MÉCANISME DE PROTECTION AUTOMATIQUE

**PROTECTION CONTRE LA SURCHAUFFE** - Lorsque le four détecte une haute température, l'écran indique « **E01** » et le fonctionnement cesse. Cela peut être annulé en appuyant sur la touche **ARRÊTER/ECO**.

**PROTECTION CONTRE LA BASSE TEMPÉRATURE** - Lorsque le four entre en mode de protection contre la basse température, Protection, l'écran indique « **E02** » et le fonctionnement cesse. Cela peut être annulé en appuyant sur la touche **ARRÊTER/ECO**.

**PROTECTION CONTRE LE DYSFONCTIONNEMENT DES CAPTEURS** - Lorsque le four détecte un problème avec un des capteurs, « **E03** » ou « **E04** » s'affiche et le four cesse de fonctionner. En outre, le four émet un signal sonore d'avertissement. Cela peut être annulé en appuyant sur la touche **ARRÊTER/ECO**.

## CUISSON AUTOMATIQUE

Pour la nourriture ou le mode de cuisson qui suit, il est nécessaire de programmer le temps de cuisson et de puissance. Il suffit d'indiquer le type de nourriture que vous voulez faire cuire ainsi que le poids ou le nombre de portions de cette nourriture.

1. En mode veille, appuyez sur **MENU AUTO** pour sélectionner le code de menu.
2. Tournez le bouton **TEMPS/POIDS** pour régler le poids des aliments ou portions.
3. Appuyez sur la touche **DÉMARRER/+30s** pour démarrer.

### Menus à cuisson automatique :

Code	Aliment	Remarque
A-01	Boissons (200 mL/tasse, 1 - 3 tasses)	<b>1.</b> Pour les éléments « A07 » ~ « A09 », « A-13 », le four se met en pause et émet un son pour rappeler à l'utilisateur de retourner les aliments. Appuyez alors sur <b>DÉMARRER/+30s</b> pour reprendre. <b>2.</b> Lorsque vous utilisez la fonction de cuisson automatique, la nourriture peut ne pas cuire comme prévu. Cela peut être dû à diverses raisons, comme des préférences personnelles, la taille/ forme de la nourriture, la température ambiante, les variations de tension de secteur, si l'aliment a été placé correctement sur la base du four ou non, etc. Si la nourriture ne cuit pas à votre préférence, ajustez le temps en conséquence pour corriger cela.
A-02	Pommes de terre (230 ±10 g /portions, 1 - 2 portions)	
A-03	Légumes (200 - 600 g)	
A-04	Réchauffage automatique (200 - 800 g)	
A-05	Soupe (300 mL/bol, 1 - 3 bols)	
A-06	Riz (150 - 600 g)	
A-07	Rôti de bœuf/agneau (200 - 600 g)	
A-08	Morceaux de poisson grillés (200 - 600 g)	
A-09	Bacon grillé (100 g, 200 g, 300 g)	
A-10	Chips au four (200 g)	
A-11	Pizza (150 g, 300 g, 450 g)	
A-12	Gâteau (475 g)	
A-13	Poulet rôti (800 - 1400 g)	

## NETTOYAGE ET ENTRETIEN

1. Éteignez le four et débranchez le cordon d'alimentation lorsque vous le nettoyez.
2. Gardez l'intérieur du four propre. Lorsque des éclaboussures d'aliments ou de liquides déversés adhèrent aux parois du four, essuyez-les avec un chiffon humide. Des détergents doux peuvent être utilisés si le four est très sale. Évitez d'utiliser des produits de nettoyage forts. Ils peuvent tâcher, rayer la surface ou ternir la porte.
3. L'extérieur du four doit être nettoyé avec un chiffon humide. Afin d'éviter tout dommage aux pièces opérationnelles à l'intérieur du four, il ne faut pas laisser l'eau couler dans les ouvertures de ventilation.
4. Essuyez la porte et la fenêtre des deux côtés, les joints de la porte et les pièces adjacentes avec un chiffon humide afin d'éliminer les éclaboussures. N'utilisez pas de nettoyant abrasif.
5. Ne nettoyez pas à la vapeur.
6. Ne laissez pas le panneau de commande se mouiller. Nettoyez avec un chiffon doux et humide. Lors du nettoyage du panneau de commande, laissez la porte du four ouverte pour empêcher le four de s'allumer accidentellement.
7. Si de la vapeur accumule à l'intérieur ou à l'extérieur de la porte du four, essuyez avec un chiffon doux. Cela peut se produire lorsque le four à micro-ondes est utilisé dans des conditions d'humidité élevée. Ce n'est pas un dysfonctionnement.
8. Nettoyez le fond du four régulièrement pour éviter la contamination et les risques d'arc électrique/de dommages potentiels. Il suffit d'essuyer la surface du fond du four avec un détergent doux.
9. Éliminez les odeurs du four en mélangeant une tasse d'eau avec le jus et la peau d'un citron dans un bol allant aux micro-ondes. Essuyez complètement et séchez avec un chiffon doux.
10. Si l'ampoule cesse de fonctionner, contactez le service client pour obtenir des conseils.
11. Le four doit être nettoyé régulièrement et les dépôts de nourriture doivent être enlevés. Si le four n'est pas maintenu dans un état propre, la surface pourrait se détériorer, ce qui pourrait nuire à la durée de vie de l'appareil et entraîner une situation dangereuse.
12. Veuillez ne pas jeter cet appareil dans la poubelle; il doit être déposé dans le centre de recyclage prévu à cet effet par les municipalités.
13. Lorsque le four micro-ondes avec fonction grill est utilisé pour la première fois, il peut produire une légère fumée et une odeur. C'est un phénomène normal, car le four est constitué d'une plaque d'acier revêtu d'huile de lubrification, et le nouveau four produira des fumées et des odeurs en raison de la combustion de l'huile lubrifiante. Ce phénomène s'estompe après une certaine période d'utilisation.

## BIEN CHOISIR LA VAISSELLE

Pour cuire / décongeler des aliments dans un four à micro-ondes, l'énergie micro-ondes doit pouvoir pénétrer au travers du récipient contenant la nourriture. Il est ainsi important de choisir des ustensiles adaptés.

Les plats ronds / ovales sont préférables à ceux carrés / rectangulaires, la nourriture placée dans les coins ayant tendance à trop cuire. Une large gamme d'ustensiles de cuisine peut être utilisée, spécifiée dans la liste ci-dessous.

Ustensiles de cuisine	Compatibles micro-ondes	Gril/ Convection	Commentaire
Papier aluminium Récipient en Aluminium	✓ / X	✓	De petits morceaux d'aluminium peuvent être utilisés pour empêcher les aliments de surchauffer. Gardez le papier aluminium à une distance d'au moins 2 cm des parois du four, des arcs électriques pouvant se former. Les récipients en papier aluminium ne sont pas recommandés, sauf si spécifié par le fabricant, par ex. Microfoil®. Suivez dans ce cas les instructions avec attention.
Plats brunisseurs	✓ / X	X	Suivez toujours les instructions des fabricants. Ne dépassez pas les temps de cuisson donnés. Faites très attention, ces plats peuvent devenir très chauds.
Porcelaine et céramiques	✓ / X	X	La porcelaine, la poterie, la faïence émaillée et la porcelaine fine sont habituellement adaptées, à part dans le cas de décorations métalliques.
Plats en verre, par ex. Pyrex®	✓	✓	Restez vigilant lors de l'utilisation de verrerie fine, la chaleur brutale pouvant les craqueler ou les casser.
Métal	X	✓	Il n'est pas recommandé d'utiliser de récipients en métal, ceux-ci pouvant être source d'arcs électriques et causer des incendies.
Plastique/Polystyrène par ex. récipients de restauration rapide	✓	X	Il est important de bien faire attention à la cuisson, certains récipients pouvant se déformer, fondre ou se décoller à haute température.
Film plastique	✓	X	Ne doit pas toucher la nourriture et doit être percé pour laisser la vapeur s'échapper.
Sachets de congélation / à griller	✓	X	Doit être percé pour permettre à la vapeur de s'échapper. Assurez-vous que les sacs sont compatibles avec la cuisson micro-ondes.
Assiettes / Gobelets en papier et papier essuie-tout	✓	X	N'utilisez pas d'attaches en plastique ou métal, celles-ci pouvant fondre ou s'enflammer à cause d'arcs électriques.
Paille et récipients en bois	✓	X	Utilisez uniquement pour réchauffer ou absorber l'humidité. Surveillez soigneusement la cuisson, une surchauffe peut être source d'incendie.
Papier recyclé et journaux	X	✓	Restez toujours à proximité du micro-ondes lors de l'utilisation de ces matériaux, leur surchauffe pouvant être cause de départ de feu. Peut contenir des résidus de métaux pouvant causer des arcs électriques et un départ de feu.



**AVERTISSEMENT :** Lorsque vous réchauffez un plat dans un récipient en plastique ou en papier, surveillez le four pour prévenir tout risque d'ignition.

**REMARQUE :** Ne laissez pas votre four sans surveillance pendant l'utilisation.

# CONSEILS POUR LA CUISSON AU MICRO-ONDES

Les micro-ondes cuisent les aliments plus rapidement que la cuisson traditionnelle. Il est ainsi essentiel de suivre certaines techniques pour assurer de bons résultats. Un grand nombre des techniques suivantes sont similaires à celles utilisées dans la cuisine classique.



**AVERTISSEMENT : Les liquides et aliments ne doivent pas être chauffés dans des contenants/pots scellés ou avec un couvercle, car la pression s'accumulerait à l'intérieur et pourrait causer l'explosion du contenant.**

## REMARQUES SUR LES CONSEILS DE CUISSON :

- Restez toujours à proximité du four lors de son utilisation.
- Vérifiez que les ustensiles sont appropriés à l'usage dans un four à micro-ondes.
- Reportez-vous aux tableaux de la section de livre de cuisine pour les temps de cuisson et niveaux de puissance recommandés.
- Ne placez pas de nourriture ou d'ustensiles chauds sur un plateau tournant froid, ou des aliments/ustensiles froids sur un plateau chaud.
- Utilisez uniquement la fonction Popcorn du micro-ondes dans les limites recommandées sur l'emballage (suivez les instructions du fabricant). N'utilisez jamais d'huile sauf mention contraire par le fabricant, et ne dépassez jamais le temps de cuisson indiqué.



**ATTENTION : Suivez les instructions dans le manuel d'utilisation SHARP à tout moment. Si vous dépassez le temps de cuisson recommandé et utilisez des niveaux de puissance trop élevés, la nourriture peut surchauffer, brûler et dans des circonstances extrêmes, prendre feu et endommager le four.**

## Arranger

Placez les parties les plus épaisses de la nourriture vers l'extérieur du plat, par exemple des pilons de poulet. Les aliments placés vers l'extérieur du plat recevront plus d'énergie, et cuiront donc plus rapidement que ceux au centre.

## Couvrir

Certains aliments devraient être couverts pendant la cuisson au micro-ondes. Utilisez du film plastique pour micro-ondes ou un couvercle adapté.

## Percer

Les aliments à coquille, peau ou membrane doivent être percés à plusieurs endroits avant cuisson ou réchauffage, car la vapeur s'accumule et peut causer l'explosion des aliments, par ex. pour les pommes de terre, le poisson, le poulet, les saucisses.

**REMARQUE :** Les œufs ne doivent pas être chauffés en utilisant la fonction micro-ondes car ils peuvent exploser, même une fois leur cuisson terminée, par exemple si vous réchauffez des œufs pochés, frits ou à la coque.

## Mélanger, tourner et réarranger

Pour une cuisson uniforme, il est essentiel de mélanger, tourner et réarranger les aliments pendant la cuisson. Mélangez et réarrangez toujours de l'extérieur vers le centre.

## Laisser reposer

Un temps de repos est nécessaire après cuisson, car cela permet à la chaleur de se disperser uniformément dans la nourriture.



<b>Caractéristiques de la nourriture</b>	
<b>Composition</b>	Les aliments riches en gras ou en sucre (par ex. flans, pâtés) nécessitent moins de temps de chauffage. Attention pour éviter les surchauffes qui peuvent conduire à des incendies. Les os des aliments conduisent la chaleur, ce qui cuit la nourriture plus rapidement. Attention à cuire de tels aliments uniformément.
<b>Densité</b>	La densité de nourriture affectera le temps de cuisson nécessaire. Les aliments légers et poreux, comme les gâteaux ou le pain, cuisent plus rapidement que les aliments lourds et denses, comme les rôtis et les ragoûts.
<b>Quantité</b>	La quantité de micro-ondes dans votre four reste la même, quelle que soit la quantité d'aliments placés dans le four. par ex. il faut plus de temps pour cuire quatre pommes de terre que deux.
<b>Taille</b>	Les petits aliments cuisent plus rapidement que les grands, car les micro-ondes peuvent pénétrer de tous les côtés jusqu'au centre. Pour une cuisson uniforme, utilisez des morceaux de taille similaire.
<b>Forme</b>	Les aliments qui sont de forme irrégulière, comme les poitrines ou les pilons de poulet nécessiteront plus de temps de cuisson pour les parties les plus épaisses. Pour une cuisson uniforme, placez les morceaux les plus épais vers l'extérieur du plat, où ils recevront plus d'énergie. Les formes rondes cuiront plus uniformément que les formes carrées au micro-ondes.
<b>Température de la nourriture</b>	La température initiale de la nourriture affecte le temps de cuisson requis. Les aliments frais nécessiteront plus de temps de cuisson que ceux à température ambiante. La température du conteneur n'est pas une véritable indication de la température de la nourriture ou boisson. Coupez les aliments avec garniture, comme les beignets à la confiture, pour libérer la chaleur ou la vapeur.



**AVERTISSEMENT :** Visage et mains : portez toujours des gants de cuisine pour retirer des aliments ou ustensiles du four. Restez en arrière lorsque vous ouvrez la porte du four pour permettre la dissipation de la chaleur ou de la vapeur. Lors du retrait des couvercles (film plastique par exemple), de l'ouverture de sacs de cuisson ou d'emballages de popcorn, attention à ne pas laisser la vapeur atteindre vos mains et votre visage.



**AVERTISSEMENT :** Vérifiez la température des aliments et boissons, et mélangez-les avant de les servir. Faites particulièrement attention lorsque vous servez des nourrissons, enfants ou personnes âgées. Le contenu des biberons et petits pots doit être mélangé ou secoué, et la température doit être vérifiée avant consommation pour éviter les brûlures.

# CONSEILS POUR LA DÉCONGÉLATION

Le micro-ondes est la méthode de décongélation la plus rapide du four. C'est un processus simple, mais les instructions suivantes sont essentielles pour vous assurer que la nourriture est bien décongelée.

- Retirez l'emballage complet avant décongélation.
- Pour décongeler des aliments, utilisez les niveaux de puissance de micro-ondes 30P ou 10P.
- Consultez la suite pour plus d'informations.

## **Réarranger**

Les aliments placés vers l'extérieur du plat seront décongelés plus rapidement que ceux au centre. Il est donc essentiel d'arranger la nourriture jusqu'à 4 fois lors de la décongélation.

Déplacez les morceaux étroitement emballés de l'extérieur vers le centre et réorganisez les zones de chevauchement. Cela assurera la décongélation uniforme des aliments.

## **Séparer**

Les aliments peuvent être collés lors de leur retrait du congélateur. Il est important de séparer les aliments dès que possible lors de la décongélation.

par ex. tranches de jambon, filets de poulet.

## **Protéger**

Certaines zones de la nourriture peuvent devenir chaudes. Pour éviter qu'elles deviennent trop chaudes et commencent à cuire, ces zones doivent être protégées par de petits morceaux de papier aluminium, qui réfléchit les micro-ondes, par ex. sur les cuisses et ailes de poulet.

## **Laisser reposer**

Un temps de repos est nécessaire pour assurer la décongélation complète de la nourriture.

La décongélation n'est pas terminée lorsque la nourriture est sortie du micro-ondes. La nourriture doit rester couverte pendant un certain temps pour s'assurer que le centre est complètement décongelé.

## **Retourner**

Il est essentiel que tous les aliments soient retournés jusqu'à 4 fois pendant la décongélation.

Il est important de garantir la décongélation complète.

## CONSEILS POUR LE RÉCHAUFFAGE

Pour réchauffer des aliments, suivez les conseils et les instructions ci-dessous pour vous assurer que la nourriture est complètement réchauffée avant de la servir.

### Plateaux-repas

Enlevez les morceaux de viande ou de volaille, réchauffez-les séparément, voir ci-dessous.

Placez les petits morceaux au centre de l'assiette, et les morceaux plus gros au bord. Couvrez avec un film plastique et réchauffez sur MOYEN. Mélangez/Réarrangez à la moitié du temps de réchauffage.

**REMARQUE :** Assurez-vous que la nourriture est complètement réchauffée avant de la servir.

### Viande émincée

Couvrez avec du film plastique pour micro-ondes et réchauffez sur 50P. Réarrangez au moins une fois pour assurer un réchauffage uniforme.

**REMARQUE :** Assurez-vous que la viande est complètement réchauffée avant de la servir.

### Morceaux de volaille

Placez les morceaux les plus gros au bord de l'assiette, couvrez avec du film plastique pour micro-ondes et réchauffez sur 70P.

Retournez les aliments à mi-temps.

**REMARQUE :** Assurez-vous que la volaille est complètement réchauffée avant de la servir.

### Ragoûts

Couvrez avec du film plastique pour micro-ondes et réchauffez sur 50P.

Mélangez fréquemment pour assurer un réchauffage uniforme.

**REMARQUE :** Assurez-vous que la nourriture est complètement réchauffée avant de la servir.

Pour obtenir les meilleurs résultats lors du réchauffage, sélectionnez un niveau de puissance de micro-ondes adapté pour le type de nourriture. Par exemple, un bol de légumes peut être réchauffé avec le niveau 100P, alors que des lasagnes contenant des ingrédients ne pouvant pas être mélangés doivent être réchauffées avec le niveau 50P.

### REMARQUES :

- Retirez la nourriture des contenants en aluminium ou en métal avant de la réchauffer.
- Les temps de réchauffage varient en fonction de la forme, de l'épaisseur, de la quantité et de la température de la nourriture, ainsi que de la taille, de la forme et du matériau du contenant.



**AVERTISSEMENT :** Ne chauffez pas de liquide dans un récipient à col étroit, car le contenu du récipient peut déborder rapidement et provoquer des brûlures.

- Pour éviter les surchauffes et incendies, faites attention lorsque vous réchauffez des plats ayant une forte proportion de sucre ou de graisse, comme des tartes ou des gâteaux.
- Ne chauffez jamais l'huile ou la graisse à frire, car cela peut provoquer une surchauffe et un incendie.
- Les pommes de terre en conserve ne doivent pas être chauffées dans le four à micro-ondes, suivez les instructions du fabricant sur la boîte.



**AVERTISSEMENT :** Veillez à remuer ou à agiter le contenu des biberons et pots pour bébé et à vérifier leur température avant qu'ils ne soient consommés pour éviter toute brûlure.

# DÉPANNAGE

Si vous pensez que le four ne fonctionne pas correctement, voici quelques vérifications simples que vous pouvez effectuer vous-même avant d'appeler un technicien. Cela vous évitera des appels inutiles au centre de service si la cause du problème est simple.

Suivez les vérifications simples décrites ci-dessous :

Placez une demi-tasse d'eau sur le plateau et fermez la porte. Programmez le four pour cuire 1 minute en utilisant 100P de puissance micro-ondes.

1. Est-ce que la lampe s'allume pendant la cuisson ?
2. Est-ce que le ventilateur de refroidissement fonctionne ? (Vérifiez en plaçant votre main au-dessus des ouvertures de ventilation.)
3. Entendez-vous le signal sonore après 1 minute ?
4. L'eau dans la tasse est-elle chaude ?  
Prenez la tasse d'eau et fermez la porte du four. Programmez le four pour cuire pendant 3 minutes en utilisant le gril.
5. Après 3 minutes, est-ce que l'élément de chauffage du gril est devenu rouge ?  
Si la réponse à une de ces questions est NON, vérifiez d'abord que le four est bien branché et que le fusible n'a pas sauté. S'il n'y a pas de problème de ce côté-là, consultez le tableau de dépannage ci-dessous.



**ATTENTION : Ne jamais bricoler, réparer ou modifier vous-même le four. Il est dangereux pour quiconque d'autre qu'un ingénieur SHARP formé d'effectuer l'entretien ou des réparations. Ce point est important car il peut impliquer le retrait de couvercles qui offrent une protection contre l'énergie des micro-ondes.**

- Le joint de la porte empêche les fuites de micro-ondes pendant le fonctionnement, mais ne forme pas un joint étanche. Il est normal de voir des gouttes d'eau ou de la lumière, ou de sentir de la chaleur autour de la porte du four. La nourriture avec une haute teneur en humidité dégagera de la vapeur et causera de la condensation à l'intérieur de la porte qui peut s'écouler hors du four.
- Réparations et modifications : n'essayez pas d'utiliser le four s'il ne fonctionne pas correctement.
- Cabinet extérieur et lampe d'accès : Ne retirez jamais le boîtier externe. Cela est très dangereux en raison de la présence de pièces haute tension qui ne doivent jamais être touchées, car cela peut provoquer une électrocution fatale.

Votre four n'est pas équipé d'un couvercle d'accès à la lampe. Si la lampe est en panne, ne tentez pas de remplacer la lampe vous-même, et appelez un centre de service agréé SHARP.

## TABLEAU DE DÉPANNAGE

PROBLÈME	RÉPONSE
De l'eau circule autour de la porte.	Lorsque le four fonctionne, l'air circule dans la cavité. La porte ne forme pas un joint étanche, et de l'air peut donc s'échapper de la porte.
De la condensation se forme dans le four et peut s'écouler de la porte.	La cavité du four est normalement plus froide que les aliments cuisinés, et la chaleur produite lors de cuisson se condense donc sur la surface plus froide. La quantité de vapeur produite dépend de la teneur en eau de l'aliment cuisiné. Certains aliments, comme les pommes de terre ont une haute teneur en humidité. La condensation prise dans la vitre de la porte devrait s'évaporer après quelques heures.
Des clignotements ou arcs électriques sont visibles dans la cavité lors de la cuisson.	Les arcs électriques se produisent lorsqu'un objet métallique est à proximité immédiate de la cavité du four pendant la cuisson. Cela peut éventuellement dépolir la surface de la cavité, sans endommager le four pour autant.
Arcs électriques lors de la cuisson de pommes de terre.	Veillez à éliminer les œillets et à percer les pommes de terre. Placez-les directement sur le plateau de verre ou dans un plat résistant à la chaleur ou contenant semblable.
L'écran est éclairé, mais le panneau de commande ne fonctionne pas lorsque vous appuyez dessus.	Vérifiez que la porte est bien fermée.
Le four chauffe trop lentement;	Assurez-vous d'avoir sélectionné le bon niveau de puissance.
Le four émet un son.	L'énergie des micro-ondes s'active et se désactive en séquence lors de la cuisson/décongélation.
Le boîtier extérieur est chaud.	Le boîtier peut devenir chaud au toucher, maintenez les enfants à l'écart.

## PERTURBATIONS RADIO

Le fonctionnement du four micro-ondes peut provoquer des interférences pour les radios, télévisions et équipements similaires. En cas d'interférences, vous pouvez les réduire ou les éliminer en prenant les mesures suivantes :

1. Nettoyez la porte et la surface d'étanchéité du four.
2. Réorientez l'antenne de réception de la radio ou de la télévision.
3. Déplacez le four à micro-ondes par rapport au récepteur.
4. Éloignez le four à micro-ondes du récepteur.
5. Branchez le four à micro-ondes dans une autre prise de courant de façon à ce que le four à micro-ondes et le récepteur soient sur des circuits différents.

## AVANT D'APPELER L'ASSISTANCE

Avant de demander un service, vérifiez chacun des éléments ci-dessous :

- Vérifiez que le four est bien branché. Si ce n'est pas le cas, retirez la fiche de la prise, attendez 10 secondes et rebranchez de façon sûre.
- Vérifiez si un fusible du circuit a sauté ou si un coupe-circuit a été déclenché. S'ils semblent fonctionner correctement, testez la prise avec un autre appareil.
- Vérifiez que le panneau de commande est programmé correctement et que l'horloge est réglée.
- Vérifiez que la porte est bien fermée, ce qui doit enclencher le système de verrouillage de la porte. Si la porte est mal fermée, le micro-ondes ne fonctionne pas.

SI AUCUNE DE CES MESURES NE RÉSOUT LE PROBLÈME, CONTACTEZ LE SERVICE D'ASSISTANCE DE SHARP. NE TENTEZ PAS DE RÉGLER OU RÉPARER LE FOUR VOUS-MÊME.



**Uwaga:**  
Państwo  
produkt jest  
oznaczony tym  
symbolem.  
Oznacza on,  
że zużytych  
urządzeń  
elektrycznych i  
elektronicznych  
nie można  
łączyć ze  
zwykłymi  
odpadami z  
gospodarstw  
domowych. Dla  
tych produktów  
istnieje  
oddzielny  
system zbiórki  
odpadów.

## A. Informacje dla użytkowników (prywatnych gospodarstw domowych) dotyczące usuwania odpadów

### 1. W krajach Unii Europejskiej

Uwaga: Jeśli chcą Państwo usunąć to urządzenie, prosimy nie używać zwykłych pojemników na śmieci!

Zużyty sprzęt elektryczny i elektroniczny należy usuwać oddzielnie, zgodnie z wymogami prawa dotyczącymi odpowiedniego przetwarzania, odzysku i recyklingu zużytego sprzętu elektrycznego i elektronicznego.

Po wdrożeniu przepisów unijnych w Państwach Członkowskich prywatne gospodarstwa domowe na terenie krajów UE mogą bezpłatnie\* zwracać zużyty sprzęt elektryczny i elektroniczny do wyznaczonych punktów zbiórki odpadów.

W niektórych krajach\* można bezpłatnie zwrócić stary produkt do lokalnych punktów sprzedaży detalicznej pod warunkiem, że zakupią Państwo podobny nowy produkt.

\*) W celu uzyskania dalszych informacji na ten temat należy skontaktować się z lokalnymi władzami.

Jeśli twój zużyty sprzęt elektryczny lub elektroniczny posiada baterie albo akumulatory, usuń je wcześniej zgodnie z lokalnymi wymogami. Prawidłowo usuwając ten produkt, przyczyniasz się do właściwej utylizacji odpadów, odzyskiwania zasobów i recyklingu. Jednocześnie zapobiegasz potencjalnemu negatywnemu wpływowi na środowisko i zdrowie ludzkie, który miałoby nieprawidłowe usunięcie urządzenia.

### 2. Kraje pozaunijne

W celu uzyskania szczegółowych informacji na temat prawidłowej metody pozbycia się zużytych baterii, prosimy o kontakt z władzami lokalnymi.

W Szwajcarii: Zużyte urządzenia elektryczne lub elektroniczne można bezpłatnie zwracać do sprzedawcy, nawet jeśli nie zostanie zakupiony nowy produkt. Szczegóły na temat punktów zbiórki odpadów są wymienione na stronie: [www.swico.ch](http://www.swico.ch) lub [www.sens.ch](http://www.sens.ch).

## B. Informacje dla użytkowników biznesowych dotyczące usuwania odpadów

### 1. W krajach Unii Europejskiej

W przypadku gdy produkt używany jest do celów biznesowych i zamierzają go Państwo usunąć:

Należy skontaktować się z autoryzowanym sprzedawcą firmy SHARP, który poinformuje o możliwości zwrotu wyrobu. Być może będą Państwo musieli ponieść koszty zwrotu i recyklingu produktu. Produkty niewielkich rozmiarów (i w małych ilościach) można zwrócić do lokalnych punktów zbiórki odpadów.

W Hiszpanii: W celu usunięcia zużytego produktu prosimy o skontaktowanie się z wyznaczonym punktem systemu zbiórki odpadów lub władzami lokalnymi.

### 2. Kraje pozaunijne

W celu uzyskania szczegółowych informacji na temat prawidłowej metody pozbycia się zużytych baterii, prosimy o kontakt z władzami lokalnymi.

## ŚRODKI OSTROŻNOŚCI, KTÓRYCH NALEŻY PRZESTRZEGAĆ, ABY UNIKAĆ MOŻLIWOŚCI NARAŻENIA SIĘ NA DZIAŁANIE MIKROFAL

1. Nie wolno używać kuchenki przy otwartych drzwiczkach, ponieważ może to spowodować szkodliwe narażenie się na działanie promieniowania mikrofal. Ważne jest, aby nie blokować działania układów zabezpieczających ani nie manipulować przy nich.
2. Nie wolno wsuwać jakichkolwiek przedmiotów między przednią powierzchnię kuchenki a drzwiczki i nie dopuszczają do gromadzenia się zanieczyszczeń lub pozostałości środków czyszczących na powierzchniach uszczelniających.
3. Nie wolno używać kuchenki, jeśli nie działa prawidłowo. Bardzo ważne jest, aby drzwiczki kuchenki zamykały się prawidłowo, a także by drzwiczki oraz zawiasy, zatrzaski, uszczelki drzwiczek i powierzchnie uszczelniające nie były uszkodzone.
4. Nie wolno samodzielnie naprawiać ani regulować urządzenia.

## SPIS TREŚCI

WAŻNE INFORMACJE DOTYCZĄCE BEZPIECZEŃSTWA .....	3
INSTALACJA .....	14
DANE TECHNICZNE .....	16
KUCHENKA I JEJ WYPOSAŻENIE .....	17
PANEL STEROWANIA .....	18
PRZED PRZYSTĄPIENIEM DO PRACY .....	19
USTAWIENIE ZEGARA .....	19
PROGRAM BŁYSKAWICZNE GOTOWANIE .....	19
TRYB PRACY Z MIKROFALAMI .....	19
TRYB PRACY Z GRILLEM .....	19
GOTOWANIE PRZY UŻYCIU MIKROFAL I GRILLA .....	20
TERMOOBIEG .....	20
MIKROFALE+TERMOOBIEG .....	20
ROZMRAŻANIE WEDŁUG MASY .....	20
ROZMRAŻANIE WEDŁUG CZASU .....	21
TIMER KUCHENNY .....	21
FUNKCJA ULUBIONE .....	21
TRYB OSZCZĘDZANIA ENERGII .....	21
FUNKCJA WYCISZENIA .....	22
BLOKADA RODZICIELSKA .....	22
BLOKADA PRZYCISKÓW .....	22
MECHANIZM AUTOMATYCZNEJ OCHRONY .....	22
AUTOMATYCZNE GOTOWANIE .....	22
CZYSZCZENIE I KONSERWACJA .....	23
PRZYDATNE NACZYNIA .....	24
PORADY DOTYCZĄCE GOTOWANIA PRZY WYKORZYSTANIU MIKROFAL .....	25
PORADY DOTYCZĄCE ROZMRAŻANIA .....	27
PORADY DOTYCZĄCE PODGRZEWANIA .....	28
ROZWIĄZYWANIE PROBLEMÓW .....	28
ZAKŁÓCENIA FAL RADIOWYCH .....	30
ZANIM WEZWIESZ POMOC .....	30

## WAŻNE INFORMACJE DOTYCZĄCE BEZPIECZEŃSTWA

### PRZECZYTAJ UWAŻNIE I ZACHOWAJ NA PRZYSZŁOŚĆ

#### Żeby uniknąć niebezpieczeństwa pożaru:

**Nie powinno się pozostawiać pracującej kuchenki bez nadzoru. Ustawienie zbyt wysokiego poziomu mocy lub zbyt długiego czasu gotowania może doprowadzić do przegrzania potrawy i spowodować pożar.**

Opisywana kuchenka została zaprojektowana do instalacji na blacie szafki. Nie jest przeznaczona do instalacji w zabudowie.

Nie wolno umieszczać kuchenki wewnątrz szafki. Gniazdko elektryczne, do którego podłączana jest kuchenka, musi być stale dostępne, żeby w razie konieczności można było po prostu wyciągnąć wtyczkę.

Napięcie sieci musi wynosić 230–240 V~, 50 Hz, instalacja elektryczna powinna być wyposażona w bezpiecznik/wyłącznik automatyczny o dopuszczalnym prądzie 10 A lub większym.

Zaleca się podłączenie urządzenia do niezależnego obwodu prądu.

Nie należy stawiać urządzenia w pobliżu źródeł ciepła, np. w pobliżu zwykłego piecyka.

Nie należy instalować kuchenki w miejscach o dużej wilgotności lub tam, gdzie może się skraplać para.

Nie należy przechowywać ani użytkować urządzenia



na wolnym powietrzu.

**Jeśli podgrzewane produkty zaczną dymić, wyłącz kuchenkę lub odłącz wtyczkę i odczekaj, aż podgrzewane produkty przestaną dymić.**

**Stosuj wyłącznie pojemniki i naczynia przeznaczone do kuchenek mikrofalowych.**

**Należy stosować wyłącznie naczynia nadające się do kuchenek mikrofalowych.**

**Korzystając z plastikowych, papierowych lub innych łatwopalnych pojemników na żywność nigdy nie pozostawiaj urządzenia bez nadzoru.**

**Oslonę źródła mikrofal i komorę operacyjną należy oczyścić po użyciu.**

**Części te powinny być suche i bez tłuszczu.**

**Nagromadzony tłuszcz może się przegrzać, zacząć dymić lub zapalić się.**

W pobliżu urządzenia lub jego otworów wentylacyjnych nie wolno przechowywać materiałów łatwopalnych.

Nigdy nie blokuj otworów wentylacyjnych.

Usuwać z produktów i opakowań wszystkie metalowe zamknięcia, druty itp. Powstawanie łuku elektrycznego na powierzchniach metalu może doprowadzić do pożaru.

Nie używaj kuchni mikrofalowej do smażenia potraw w głębokim oleju. Temperatury oleju nie można kontrolować i tłuszcz może się zapalić.

Do prażenia kukurydzy powinny być używane wyłącznie do tego przeznaczone naczynia.

---

Nie przechowuj w urządzeniu żadnej żywności ani innych przedmiotów.

Po uruchomieniu kuchenki sprawdź ustawienia, żeby upewnić się, że pracuje ona zgodnie z życzeniem.

Nie wolno pozostawiać pracującej kuchenki bez nadzoru.

Żeby uniknąć przegrzania lub pożaru, należy zachować szczególną ostrożność podczas gotowania i podgrzewania potraw zawierających duże ilości cukru lub tłuszczu, np. krokietów z mięsem lub budyniu. Niniejszej instrukcji obsługi należy używać razem z podanymi dalej wskazówkami dotyczącymi gotowania.

### **Żeby uniknąć obrażeń ciała.**

#### **OSTRZEŻENIE:**

Nie używaj kuchenki, jeżeli jest uszkodzona lub wykazuje wadliwe funkcjonowanie. Przed użyciem sprawdź następujące punkty:

- a) Drzwiczki muszą się zamykać prawidłowo i nie mogą być skrzywione lub scentrowane.
- b) Należy się upewnić, że zawiasy oraz zatrzaski bezpieczeństwa nie są złamane ani luźne.
- c) Należy się upewnić, że uszczelki drzwiczek i powierzchnie uszczelniające nie są uszkodzone.
- d) Należy się upewnić, że wewnątrz urządzenia i na drzwiczkach nie ma żadnych wgnieceń ani innych uszkodzeń.
- e) Należy się upewnić, że przewód zasilający oraz wtyczka nie są uszkodzone.

Nie używaj kuchenki, jeśli drzwiczki lub uszczelki

drzwiczek są uszkodzone. Naprawę należy powierzyć wykwalifikowanym pracownikom serwisu.

**Nigdy nie próbuj samodzielnie regulować, naprawiać ani modyfikować urządzenia.**

**Wszelkie naprawy, zwłaszcza wiążące się z otwarciem obudowy, mogą być przeprowadzone wyłącznie przez wykwalifikowanych pracowników serwisu.**

Nie używaj kuchenki przy otwartych drzwiczkach lub zamknięciu przerobionym w jakikolwiek sposób. Nie używaj kuchenki, jeśli pomiędzy uszczelkami drzwiczek a powierzchniami uszczelniającymi znajdują się jakieś przedmioty.

**Nie dopuszczaj do gromadzenia się tłuszczu i zabrudzeń na uszczelkach drzwiczek i sąsiednich elementach.**

**Stosuj się do wskazówek z rozdziału „Czyszczenie i konserwacja”. Dopuszczenie do nadmiernego zanieczyszczenia kuchenki może spowodować zniszczenie jej ścianek, doprowadzić do jej przedwczesnego zużycia oraz może wywołać sytuacje niebezpieczne.**

Osoby mające ROZRUSZNIK SERCA powinny zapytać swojego lekarza lub producenta rozrusznika o środki ostrożności podczas posługiwania się kuchenkami mikrofalowymi.

**Żeby uniknąć porażenia prądem elektrycznym.**

W żadnym wypadku nie wolno zdejmować zewnętrznej obudowy kuchenki.

---

Nie należy wprowadzać żadnych przedmiotów ani płynów w otwory zatrząsków bezpieczeństwa drzwiczek ani w otwory wentylacyjne. Jeśli jakiś płyn rozleje się wewnątrz kuchenki, urządzenie należy natychmiast wyłączyć, wyjąć wtyczkę przewodu zasilającego z gniazda i zwrócić się do serwisu firmy SHARP.

Przewodu zasilającego ani wtyczki nie wolno zanurzać w wodzie ani jakiegokolwiek innej cieczy.

Przewód nie powinien być zawieszony na krawędzi stołu lub blatu kuchennego.

Przewód zasilający należy prowadzić z dala od powierzchni nagrzewających się, włącznie z tylną ścianką kuchenki.

Dzieciom poniżej 8 roku życia należy uniemożliwić zbliżanie się do kuchenki i przewodu zasilającego.

Nie wolno samodzielnie wymieniać lampki oświetleniowej w kuchence ani też pozwalać, by wymieniał ją ktokolwiek, niebędący elektrykiem upoważnionym przez firmę SHARP.

Jeśli ulegnie uszkodzeniu przewód zasilający, należy zainstalować nowy przewód tego samego typu.

Wymianę musi przeprowadzić upoważniony pracownik serwisu firmy SHARP.

**Żeby uniknąć eksplozji i wykipienia:**

**OSTRZEŻENIE: Płynów i innych pokarmów nie wolno podgrzewać w zamkniętych pojemnikach, ponieważ mogą one eksplodować.**

**Podczas przenoszenia pojemnika z płynem**

**podgrzanym w kuchence należy zachować szczególną ostrożność, ponieważ może nastąpić opóźnione wykipienie cieczy.**

Nigdy nie wolno używać szczelnie zamkniętych pojemników. Przed użyciem należy zdjąć pokrywki i wieczka. Szczelnie zamknięte pojemniki mogą wybuchnąć wskutek wzrostu ciśnienia, nawet po wyłączeniu kuchenki.

Przy podgrzewaniu płynów w kuchence należy zachować szczególną ostrożność. Stosuj naczynia o szerokim wylocie, aby pęcherzyki pary mogły swobodnie uchodzić.

**Nigdy nie należy ogrzewać płynów w pojemnikach o wąskich szyjkach, takich jak butelki dla niemowląt, ponieważ gorący płyn może z nich gwałtownie wytrysnąć, powodując oparzenia.**

Żeby uniknąć gwałtownego wytrysnięcia wrzącej cieczy i oparzeń:

1. Nie należy przekraczać zalecanych czasów podgrzewania.
2. Płyn należy przed podgrzaniem zamieszać.
3. Wskazane jest włożenie do naczynia szklanej pałeczki lub podobnego przedmiotu na czas ogrzewania.
4. Po zakończeniu ogrzewania płyn należy pozostawić co najmniej 20 sekund w kuchence, aby zapobiec opóźnionemu wykipieniu.

**Nie należy używać kuchenki do gotowania jajek w skorupkach ani do podgrzewania jajek**

---

**gotowanych na twardo. Mogą one eksplodować nawet po zakończeniu procesu gotowania. Przed gotowaniem lub podgrzewaniem jajek nie roztrzepanych czy rozmieszanych należy przekłuć żółtko i białko, gdyż w przeciwnym razie jajka mogą eksplodować. Jajka ugotowane na twardo należy przed podgrzewaniem w kuchence mikrofalowej obrać i pokrajać w plasterki.**

Przed gotowaniem należy przekłuć skórkę takich produktów jak ziemniaki, parówki i owoce – w przeciwnym razie mogą eksplodować.

**Żeby uniknąć poparzeń.**

**OSTRZEŻENIE: W celu uniknięcia poparzeń należy zawsze sprawdzać temperaturę pokarmów dla niemowląt oraz mieszać zawartość butelek i naczyń przed podaniem.**

**Podczas wyjmowania potraw z kuchenki należy używać chwytak do garnków lub rękawic kuchennych.**

Pojemniki, naczynia do prażenia kukurydzy, woreczki do pieczenia itp. należy otwierać w taki sposób, by para nie wydobywała się z nich na twarz i ręce.

W celu uniknięcia poparzeń należy zawsze sprawdzać temperaturę pokarmów i mieszać je przed podaniem; szczególną ostrożność należy zachować w przypadku temperatury pokarmów i napojów przeznaczonych dla niemowląt, małych dzieci oraz osób starszych. Nie wolno dopuścić, żeby do kuchenki zbliżały się dzieci, ponieważ niektóre jej elementy bardzo się nagrzewają.

Temperatura naczynia nie jest miarodajnym wskaźnikiem temperatury pokarmu czy napoju; zawsze należy sprawdzać temperaturę samego pokarmu.

Przy otwieraniu drzwiczek kuchenki należy zachować ostrożność, by nie ulec poparzeniu wydobywającą się z wnętrza parą i falą gorąca.

Pieczone potrawy z nadzieniem należy po przyrządzeniu pokrajać w plastry, by para mogła ujść. Nie wolno pozwalać dzieciom, żeby zbliżyły się do drzwiczek podczas pracy kuchenki, ponieważ mogłyby się poparzyć.

**Żeby zapobiec niewłaściwemu użyciu przez dzieci.**

**OSTRZEŻENIE: Dzieci w wieku od osmiu lat mogą korzystać z kuchenki bez nadzoru tylko, jeśli zostały szczegółowo poinstruowane o sposobie bezpiecznego używania urządzenia i rozumieją ryzyko związane z niewłaściwym użyciem.**

**Dzieci powinny używać kuchenki wyłącznie pod nadzorem dorosłych, gdy urządzenie pracuje w trybach GRILLA, PRACY KOMBINOWANEJ Z GRILLEM i GOTOWANIA AUTOMATYCZNEGO ze względu na generowanie wysokiej temperatury. Opiswane urządzenie nie może być obsługiwane przez osoby (włącznie z dziećmi) z obniżonymi zdolnościami fizycznymi, zmysłowymi bądź umysłowymi, a także przez osoby bez doświadczenia i wiedzy na temat obsługi, chyba że dostały pozwolenie, bądź udzielono im instrukcji**

---

**obsługi urządzenia przez osobę odpowiedzialną za ich bezpieczeństwo. Dzieci powinny pozostawać pod opieką, aby nie bawiły się urządzeniem. Modele z elektronicznym panelem dotykowym obsługują tryb blokady rodzicielskiej.**

Nie wolno opierać się ani huścić na drzwiczkach kuchenki. Nie wolno traktować kuchenki jako przedmiotu do zabawy.

Dzieciom należy wpoić zasady bezpieczeństwa: używanie rękawic kuchennych, ostrożne zdejmowanie pokrywek, zachowanie szczególnej ostrożności co do opakowań (np. materiałów samonagrzewających się) gdyż opakowania te mogą być bardzo gorące.

### **Inne ostrzeżenia:**

Nie wolno w żaden sposób samodzielnie dokonywać modyfikacji kuchenki.

Nie wolno poruszać kuchenką podczas jej pracy.

Opisywane urządzenie przeznaczone jest do użytku w gospodarstwach domowych.

Kuchenka ta służy wyłącznie do przygotowywania potraw i napojów w warunkach domowych i można jej używać tylko do takich celów. Suszenie żywności lub odzieży oraz ogrzewanie poduszek rozgrzewających, kapci, gąbek, wilgotnych ściereczek itp. może doprowadzić do obrażeń, zapalenia się lub pożaru. Kuchenka nie jest przeznaczona do użytku przemysłowego ani laboratoryjnego.

**Żeby zapewnić niezawodną pracę kuchenki i uniknąć uszkodzeń:**



Nigdy nie należy włączać pustej kuchenki. Używając naczyń powodującego rumienienie potraw lub materiałów samonagrzewających się, zawsze należy pod nimi umieścić izolację termiczną, na przykład porcelanowy talerz, aby zapobiec uszkodzeniu podstawy urządzenia na skutek nadmiernego wzrostu temperatury. Niedopuszczalne jest przekraczanie czasu podgrzewania, podanego w przepisach.

Nie wolno używać naczyń metalowych odbijających mikrofałę i mogących spowodować powstawanie łuków elektrycznych. Nie wkładaj do kuchenki puszek. Aby zapobiec pęknięciu podstawy kuchenki:

- a) Przed wyczyszczeniem podstawy kuchenki wodą należy pozostawić płaski spód do ostygnięcia.
- b) Nie wolno ustawiać gorących produktów lub naczyń na zimnej podstawie kuchenki.
- c) Nie wolno ustawiać zimnych produktów lub naczyń na gorącej podstawie kuchenki.

Podczas pracy urządzenia nie należy na jego obudowie stawiać jakichkolwiek przedmiotów.

### **UWAGA:**

Nie wolno używać plastikowych naczyń, jeśli komora operacyjna nie ostygła jeszcze po użyciu grilla (tryby GRILL i PRACY KOMBINOWANEJ Z GRILLEM), ponieważ mogłyby się roztopić.

W wymienionych trybach nie wolno używać plastikowych naczyń, o ile ich producent nie zaznaczył, że są one do tego celu przeznaczone.

W przypadku wątpliwości co do sposobu przyłączenia kuchenki należy skontaktować się z upoważnionym,

---

wykwalifikowanym elektrykiem.

Producent ani sprzedawca nie ponoszą żadnej odpowiedzialności za uszkodzenie kuchenki lub obrażenia ciała, powstałe wskutek zaniedbania poprawnych połączeń elektrycznych.

Na ściankach kuchenki lub wokół uszczelki drzwiczek może czasami pojawiać się para wodna lub krople wody. Jest to zjawisko normalne i nie świadczy o wydobywaniu się mikrofal na zewnątrz ani o wadliwym działaniu kuchenki.



Ten symbol oznacza, że ścianki kuchenki bardzo się nagrzewają.

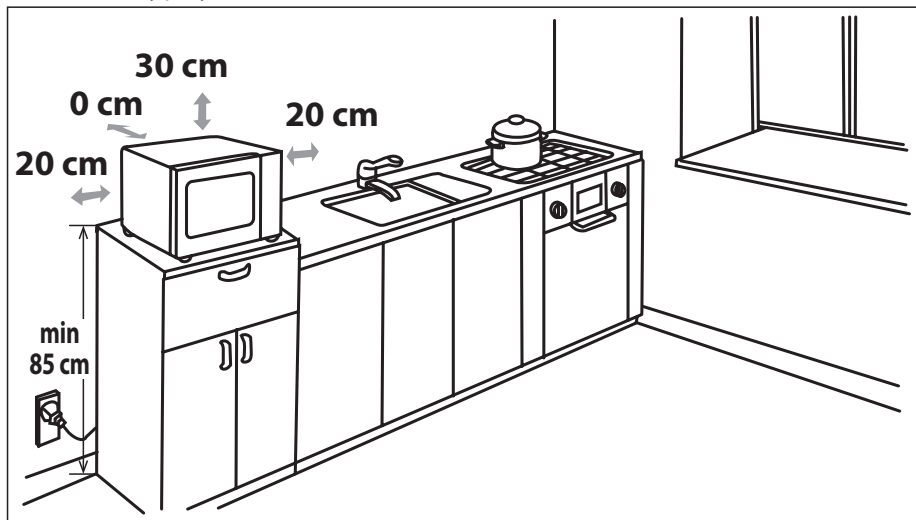
## INSTALACJA

1. Wyjmij ze środka kuchenki wszystkie elementy opakowania i zdejmij warstwę ochronną znajdującą się na obudowie urządzenia.
2. Upewnij się, że kuchenka nie nosi żadnych śladów uszkodzenia.
3. Ustaw kuchenkę na równym i płaskim podłożu, dostatecznie wytrzymałym, by mogło unieść ciężar kuchenki wraz z przyrządzaną w niej żywnością. Nie wolno umieszczać kuchenki wewnątrz szafki.
4. Wybierz miejsce, które zapewni dostateczną ilość wolnej przestrzeni dla prawidłowego działania otworów wlotowych i/lub wylotowych powietrza. Zapoznaj się z rysunkiem na pierwszej stronie.

Tylna ścianka kuchenki może opierać się o ścianę.

- Minimalna wysokość instalacji wynosi 85 cm.
- Pomiędzy kuchenką a sąsiadującymi ścianami lub przedmiotami należy pozostawić przynajmniej 20 cm wolnej przestrzeni.
- Nad kuchenką należy pozostawić co najmniej 30 cm wolnej przestrzeni.
- Nie należy demontować nóżek znajdujących się na spodzie kuchenki.
- Zablockowanie otworów wlotowych i/lub wylotowych powietrza może spowodować uszkodzenie kuchenki.
- Kuchenkę należy ustawić w możliwie największej odległości od odbiorników radiowych i telewizyjnych. Korzystanie z kuchenki mikrofalowej może

powodować zakłócenia odbiorników radiowych i telewizyjnych.



5. Podłącz wtyczkę kuchenki do standardowego uziemionego gniazdka elektrycznego.

**OSTRZEŻENIE:** Nie należy stawiać urządzenia w pobliżu źródeł ciepła, w miejscach o dużej wilgotności (np. w pobliżu zwykłego piekarnika) lub w pobliżu palnych materiałów (np. zasłon).

Nie należy blokować ani zasłaniać otworów wentylacyjnych.

Nie należy ustawiać żadnych przedmiotów na obudowie urządzenia.

Nie wolno dotykać zewnętrznych powierzchni kuchenki podczas pracy lub krótko po jej zakończeniu, ponieważ są gorące.

## DANE TECHNICZNE

Typ kuchenki:		YC-GC52FE
Napięcie zasilające		prąd zmienny jednofazowy 230–240 V, 50 Hz
Bezpiecznik/wyłącznik automatyczny		10 A
Wymagana moc wejściowa		1400 W
Moc wyjściowa:	Mikrofale	900 W
	Grill	1200 W
	Termoobieg	2050 W
	Tryb czuwania	< 1,0 W
	Tryb oszczędzania energii	< 0,5 W
Częstotliwość mikrofal		2450 MHz*
Wymiary zewnętrzne (szer.) x (wys.) x (gł.) mm		490 x 287 x 495
Wymiary komory operacyjnej (szer.) x (wys.) x (gł.)** mm		330 x 220 x 335
Pojemność kuchenki		25 litrów**
Ruszt grilla		ø 220 mm, wys.: 85 mm
Blacha do pieczenia		ø 280 mm, wys.: 49 mm
Masa		ok. 18,6 kg
Żarówka do kuchenki (typ LED)		1,5 W

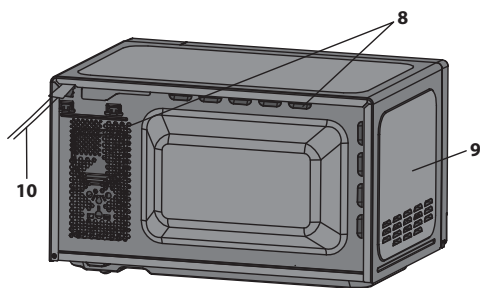
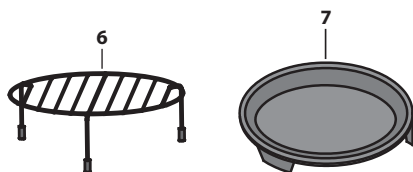
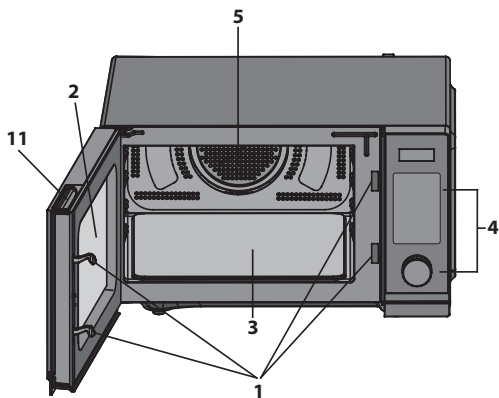
\* - Opisywane urządzenie spełnia wymagania europejskiego standardu EN55011. Zgodnie z tym standardem urządzenie zostało sklasyfikowane jako sprzęt należący do grupy 2 i klasy B. Przynależność do grupy 2 oznacza, że urządzenie w sposób zamierzony generuje fale radiowe służące do podgrzewania jedzenia. Przynależność do klasy B oznacza, że urządzenie może pracować w gospodarstwach domowych.

\*\* - Pojemność kuchenki jest obliczana poprzez pomnożenie maksymalnej szerokości, głębokości i wysokości komory operacyjnej. Rzeczywista pojemność przeznaczona na potrawy jest mniejsza.

STAWIAJĄC SOBIE ZA CEL CIĄGŁE DOSKONALENIE SWOICH PRODUKTÓW FIRMA SHARP ZASTRZEGA SOBIE PRAWO DO ZMIANY WYGLĄDU I DANYCH TECHNICZNYCH URZĄDZENIA BEZ UPRZEDZENIA.

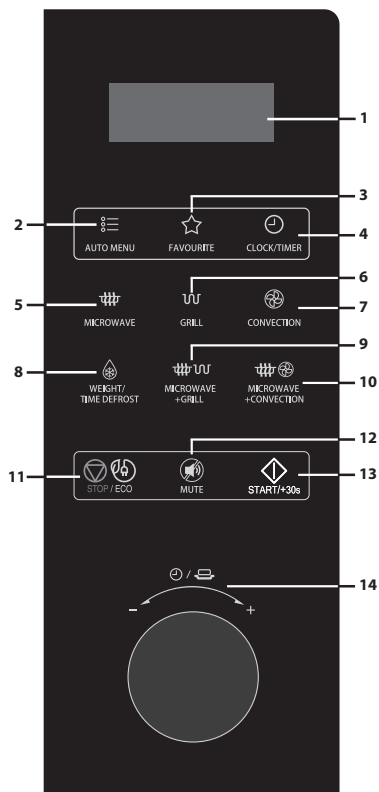
# KUCHENKA I JEJ WYPOSAŻENIE

1. System blokady drzwiczek
2. Szyba w drzwiczkach
3. Płyta podstawy komory operacyjnej
4. Panel sterowania
5. Element grzejny grilla
6. Ruszt grilla
7. Blacha do pieczenia
8. Otwory wentylacyjne
9. Obudowa
10. Przewód zasilający
11. Uchwyt do otwierania drzwiczek



# PANEL STEROWANIA

1. **WYŚWIETLACZ** – Wyświetlany jest czas trwania procesu, poziom mocy, wskaźniki i godzina.
2. Przycisk **AUTO MENU** – Naciśnij, aby wybrać program automatycznego gotowania.
3. Przycisk **FAVOURITE** – Wykorzystaj do zapamiętania programów.
4. Przycisk **CLOCK/TIMER** – Wykorzystaj do ustawienia godziny. Użyj do ustawienia funkcji timera.
5. Przycisk **MICROWAVE** – Naciśnij, aby wybrać poziom mocy mikrofal.
6. Przycisk **GRILL** – Naciśnij, aby ustawić program pracy z grillem.
7. Przycisk **CONVECTION** – Naciśnij, aby ustawić program pracy z termoobiegiem
8. Przycisk **WEIGHT/TIME DEFROST** – Naciśnij jeden raz, aby włączyć funkcję rozmrażania według masy. Naciśnij dwa razy, aby włączyć funkcję rozmrażania według czasu.
9. Przycisk **MICROWAVE+GRILL** – Naciśnij, aby ustawić program pracy kombinowanej z grillem.
10. Przycisk **MICROWAVE+CONVECTION** – Naciśnij, aby ustawić program pracy kombinowanej z termoobiegiem.
11. Przycisk **STOP/ECO** – Naciśnij jeden raz, aby tymczasowo przerwać pracę kucharki, albo naciśnij dwa razy, aby całkowicie anulować proces.  
Wykorzystaj do ustawienia trybu oszczędzania energii.
12. Przycisk **MUTE** – Naciśnij jeden raz, aby ustawić funkcję wyciszenia; naciśnij ponownie, aby wyłączyć funkcję wyciszenia. Naciśnij i przytrzymaj (przez trzy sekundy), aby włączyć BLOKADĘ RODZICIELSKĄ. Naciśnij i przytrzymaj ponownie, aby wyłączyć blokadę rodzicielską.
13. Przycisk **START/+30s** – Naciśnij, aby uruchomić program gotowania lub rozmrażania.  
Po prostu naciśnij przycisk kilka razy, aby ustawić czas trwania procesu i gotuj natychmiast przy pełnym poziomie mocy.
14. Pokrętko **TIME/WEIGHT** – Obróć, aby ustawić czas trwania programu, masę potrawy lub liczbę porcji.



## PRZED PRZYSTĄPIENIEM DO PRACY

- Po pierwszym podłączeniu kuchenki do zasilania zostanie wyemitowany sygnał dźwiękowy, a na wyświetlaczu pojawi się wskazanie „1:01”.
- Jeśli w trybie ustawień nie zostanie naciśnięty żaden przycisk przez 30 sekund, urządzenie przełączy się do trybu czuwania.
- Podczas procesu naciśnij jeden raz przycisk **STOP/ECO**, aby wstrzymać program, a następnie naciśnij przycisk **START/+30s**, aby wznowić. Dwukrotne naciśnięcie przycisku **STOP/ECO** spowoduje anulowanie programu.
- Po zakończeniu cyklu gotowania na wyświetlaczu pojawi się napis **End**, co dwie minuty będzie emitowany sygnał dźwiękowy, dopóki drzwiczki nie zostaną otwarte lub naciśnięty przycisk.

## USTAWIENIE ZEGARA

Aby ustawić zegar, należy postępować zgodnie ze wskazówkami podanymi poniżej:

1. W trybie czuwania naciśnij i przytrzymaj przycisk **CLOCK/TIMER** przez trzy sekundy, aby wybrać 12-godzinny format czasu, lub ponownie naciśnij przycisk, a wybrać format 24-godzinny.
2. Obróć pokrętko **TIME/WEIGHT**, aby ustawić godzinę.
3. Naciśnij jeden raz przycisk **START/+30s**.
4. Obróć pokrętko **TIME/WEIGHT**, aby ustawić minuty
5. Naciśnij przycisk **CLOCK/TIMER**, aby zaakceptować.

## PROGRAM BŁYSKAWICZNE GOTOWANIE

Funkcja umożliwia wygodne zaprogramowanie rozpoczęcia procesu przy ustawionym poziomie mocy 100%. W trybie czuwania naciśnij kilkakrotnie przycisk **START/+30s**, aby ustawić czas trwania procesu (każde naciśnięcie zwiększa czas procesu o 30 sekund, maksymalnie do 10 minut). Kuchenka natychmiast uruchomi się automatycznie.

## TRYB PRACY Z MIKROFALAMI

1. W trybie czuwania naciśnij kilkakrotnie przycisk **MICROWAVE**, aby wybrać poziom mocy mikrofal.
2. Obróć pokrętko **TIME/WEIGHT**, aby ustawić czas trwania procesu. Najdłuższy czas procesu wynosi 95 minut.
3. Naciśnij przycisk **START/+30s**, aby zaakceptować.

Naciśnij kilkakrotnie przycisk **MICROWAVE**, aby wybrać poziom mocy mikrofal.

Naciśnij przycisk MICROWAVE	Poziom mocy mikrofal (na wyświetlaczu)	Naciśnij przycisk MICROWAVE	Poziom mocy mikrofal (na wyświetlaczu)
Jeden raz	100% (P100)	Siedem razy	40% (P40)
Dwa razy	90% (P90)	Osiem razy	30% (P30)
Trzy razy	80% (P80)	Dziewięć razy	20% (P20)
Cztery razy	70% (P70)	Dziesięć razy	10% (P10)
Pięć razy	60% (P60)	Jedenaście razy	0% (P00)
Sześć razy	50% (P50)		

**UWAGA:** Podczas procesu możesz sprawdzić poziom mocy naciskając przycisk **MICROWAVE**.

## TRYB PRACY Z GRILLEM

Tryb pracy z grillem jest szczególnie przydatny w przypadku cienkich plastrów mięsa, steków, kotletów, kebabów, kiełbasek i kawałków kurczaka. Nadaj się również do przygotowania kanapek na ciepło i zapiekanek.

1. W trybie czuwania naciśnij jeden raz przycisk **GRILL**.
2. Obróć pokrętko **TIME/WEIGHT**, aby ustawić czas trwania procesu. Najdłuższy czas procesu wynosi 95 minut.



- Naciśnij przycisk **START/+30s**, aby rozpocząć proces.

## GOTOWANIE PRZY UŻYCIU MIKROFAL I GRILLA

**Kombinacja 1:** Przez 30% czasu gotowania używane są mikrofałe, a przez 70% czasu wykorzystywany jest grill. Zalecamy stosować przy gotowaniu ryb i potraw zapiekanych (au gratin).

**Kombinacja 2:** Przez 55% czasu gotowania używane są mikrofałe, a przez 45% czasu wykorzystywany jest grill. Zalecamy stosować przy przygotowywaniu puddingów, omeletów, pieczonych ziemniaków i drobiu.

- W trybie czuwania naciśnij jeden raz lub dwa razy przycisk **MICROWAVE+GRILL**, aby wybrać opcję „Co-1” lub „Co-2”.
- Obróć pokrętko **TIME/WEIGHT**, aby ustawić czas trwania procesu. Najdłuższy czas procesu wynosi 95 minut.
- Naciśnij przycisk **START/+30s**, aby rozpocząć proces.

**UWAGA:** Podczas procesu można sprawdzić tryb pracy kombinowanej naciskając przycisk **MICROWAVE+GRILL**.

## TERMOOBIEG

W trybie pracy z termoobiegiem gorące powietrze krąży w komorze operacyjnej, powodując równomierne przyrumienienie i szybkie uzyskanie chrupkiej potrawy. Opisywaną kuchenkę można zaprogramować na trzynaście różnych temperatur gotowania (230°C, 220°C, 210°C, 200°C, 190°C, 180°C, 170°C, 160°C, 150°C, 140°C, 130°C, 120°C, 110°C).

**Aby podgrzewać i gotować potrawy korzystając z funkcji termoobiegu, należy postępować zgodnie z niżej podanymi wskazówkami:**

Kuchenkę można zaprogramować w ten sposób, aby połączyć funkcję podgrzewania z funkcją termoobiegu.

- W trybie czuwania naciśnij kilkakrotnie przycisk **CONVECTION**, aby wybrać temperaturę termoobiegu.
- Naciśnij przycisk **START/+30s**, aby rozpocząć. Po osiągnięciu żądanej temperatury zostaną wyemitowane sygnały dźwiękowe.
- Otwórz drzwiczki i umieść naczynie z potrawą na środku płaskiego spodu.
- Obróć pokrętko **TIME/WEIGHT**, aby ustawić czas trwania procesu. Najdłuższy czas procesu wynosi 95 minut.
- Naciśnij przycisk **START/+30s**, aby rozpocząć proces.

**UWAGA:** Po osiągnięciu temperatury podgrzewania przy wykorzystaniu funkcji termoobiegu kuchenka rozpocznie emitowanie sygnału dźwiękowego co dwie sekundy. Temperatura podgrzewania będzie utrzymywana przez 30 minut.

## MIKROFALE+TERMOOBIEG

Tryb mikrofałe + termoobieg sprawia, że gotowanie jest łatwiejsze i szybsze.

Istnieją cztery wcześniej zaprogramowane ustawienia tej funkcji, jak opisano poniżej:

230°C – nadaje się do mięs grubych i trudnych do przygotowania, np. całego kurczaka, udek lub skrzydełek.

200°C – można wykorzystać do mięs cienkich, które szybciej się przygotowuje, np. ryb lub steków.

170°C i 140°C – tryby odpowiednie do mięs w plastrach i półproduktów, np. bekonu i kielbasek.

- W trybie czuwania naciśnij kilkakrotnie przycisk **MICROWAVE+CONVECTION**, aby wybrać temperaturę termoobiegu (230°C, 200°C, 170°C, 140°C).
- Obróć pokrętko **TIME/WEIGHT**, aby ustawić czas trwania procesu. Najdłuższy czas procesu wynosi 95 minut.
- Naciśnij przycisk **START/+30s**, aby rozpocząć proces.

**UWAGA:** Podczas procesu można sprawdzić temperaturę termoobiegu naciskając przycisk **MICROWAVE+CONVECTION**.

## ROZMRAŻANIE WEDŁUG MASY

- W trybie czuwania naciśnij jeden raz przycisk **WEIGHT/TIME DEFROST**.
- Obróć pokrętko **TIME/WEIGHT**, aby ustawić masę potrawy. Zakres wagowy od 100 g do 2000 g.
- Naciśnij przycisk **START/+30s**, aby zaakceptować.

**UWAGA:** Podczas rozmrażania system wstrzyma działanie i wyemituje sygnał dźwiękowy przypominający o konieczności obrócenia potrawy na drugą stronę. Następnie naciśnij przycisk **START/+30s**, aby wznowić rozmrażanie.

Tabela rozmrażania według masy

Masa [kg]	0,1	0,2	0,3	0,4	0,5	0,6	0,7	0,8	0,9	1,0	1,1	1,2	1,3	1,4	1,5	1,6	1,7	1,8	1,9	2,0
Czas [minuty]	3	5	7	9	11	13	15	17	19	21	23	25	27	29	31	33	35	37	39	41

## ROZMRAŻANIE WEDŁUG CZASU

1. W trybie czuwania naciśnij dwa razy przycisk **WEIGHT/TIME DEFROST**.
2. Obróć pokrętkę **TIME/WEIGHT**, aby ustawić czas rozmrażania. Najdłuższy czas procesu wynosi 95 minut.
3. Naciśnij przycisk **START/+30s**, aby zaakceptować.

**UWAGA:** Podczas korzystania z funkcji rozmrażania według czasu kuchenka mikrofalowa będzie gotować przy ustawionym poziomie mocy 40%, a następnie przy ustawionym poziomie 30%, po czym wstrzyma pracę umożliwiając otwarcie drzwiczek i obrócenie potrawy na drugą stronę. Po wznowieniu procesu naciśnięciem przycisku **START/+30s** rozpocznie gotowanie przy ustawionym poziomie mocy 20%.

## TIMER KUCHENNY

1. Naciśnij jeden raz przycisk **CLOCK/TIMER**.
2. Obróć pokrętkę **TIME/WEIGHT**, aby ustawić żądany czas trwania procesu. Najdłuższy czas procesu wynosi 95 minut.
3. Naciśnij przycisk **START/+30s**, aby zaakceptować.

Aby anulować funkcję włącznika/wyłącznika czasowego, naciśnij przycisk **STOP/ECO**, a na wyświetlaczu pojawi się aktualna godzina.

## FUNKCJA ULUBIONE

W tej funkcji dostępne są trzy ulubione programy, z których każdy można ustawić za pomocą jednej sekwencji gotowania.

### Aby zapamiętać:

1. W trybie czuwania jeden raz, dwa lub trzy razy naciśnij przycisk **FAVOURITE**.
2. Wprowadź żądany program gotowania (w tym gotowanie sekwencyjne).
3. Naciśnij przycisk **START/+30s**, aby zaakceptować.

### Aby uruchomić:

1. W trybie czuwania jeden raz, dwa lub trzy razy naciśnij przycisk **FAVOURITE**, aby wybrać program gotowania.
2. Naciśnij przycisk **START/+30s**, aby rozpocząć proces.

### Aby skasować:

W trybie czuwania jeden raz, dwa lub trzy razy naciśnij przycisk **FAVOURITE**.

Naciśnij i przytrzymaj przycisk **FAVOURITE** przez trzy sekundy, na wyświetlaczu pojawi się napis „CLr” przez pięć sekund, a kuchenka powróci do trybu czuwania.

### UWAGA:

- Można zapamiętać programy gotowania w trybie mikrofal, grilla, pracy z mikrofalami i grillem oraz pracy z mikrofalami termoobiegiem.
- Ulubione programy pozostaną w pamięci nawet po odłączeniu zasilania.
- Można zapamiętać tylko trzy ulubione programy. Jeśli chcesz zapamiętać inny program, usuń jeden.
- Jeśli pamięć jest pusta, kod ulubionych programów pulsuje. Jeśli w ulubionych zapamiętany jest jakikolwiek program, wyświetlany jest kod ulubionych programów.

## TRYB OSZCZĘDZANIA ENERGII

**Aby ustawić:** W trybie czuwania naciśnij i przytrzymaj przycisk **STOP/ECO** przez trzy sekundy, wyświetlacz wyłączy się. Kuchenka przełączy się do trybu oszczędzania energii.

**Aby anulować:** W trybie oszczędzania energii naciśnij dowolny przycisk lub otwórz i zamknij drzwiczki kuchenki.

## FUNKCJA WYCISZENIA

Aby ustawić funkcję wyciszenia, naciśnij jeden raz przycisk **MUTE**, na wyświetlaczu pojawi się napis „OFF” na trzy sekundy. W trybie

wyciszenia naciśnięcie przycisków nie spowoduje wyemitowania sygnałów dźwiękowych.

Aby wyłączyć tryb wyciszenia, naciśnij jeden raz przycisk **MUTE**, na wyświetlaczu pojawi się napis „On” na trzy sekundy.

## BLOKADA RODZICIELSKA

1. Aby ustawić BLOKADĘ RODZICIELSKĄ, naciśnij i przytrzymaj przycisk **MUTE** przez trzy sekundy, kuchenka wyemituje długi sygnał dźwiękowy, a na wyświetlaczu pojawi się napis „LOC”. Urządzenie znajduje się w trybie BLOKADY RODZICIELSKIEJ. W tym trybie po naciśnięciu dowolnego przycisku lub otwarciu drzwiczek na wyświetlaczu pojawi się zegar i przez dziesięć sekund będzie widoczny napis „LOC”.
2. Aby wyłączyć BLOKADĘ RODZICIELSKĄ, naciśnij i przytrzymaj przycisk **MUTE** przez trzy sekundy, dopóki nie zostanie wyemitowany długi sygnał dźwiękowy.

## BLOKADA PRZYCISKÓW

Uniemożliwia obsługę kuchenki przez dzieci przy braku nadzoru osoby dorosłej.

**Aby ustawić:** Jeśli w ciągu sekundy nie zostanie naciśnięty żaden przycisk w trybie czuwania, kuchenka automatycznie przełączy się do trybu blokady przycisków i zaświeci się wskaźnik blokady. Przy włączonej blokadzie wszystkie przyciski są nieaktywne. Naciśnięcie dowolnego przycisku spowoduje pojawienie się wskaźnika blokady na pięć sekund, przypominając użytkownikowi o konieczności anulowania blokady.

Aby wyłączyć blokadę przycisków wystarczy otworzyć drzwiczki kuchenki, przyciski zostaną ponownie uaktywnione, a wskaźnik blokady wyłączy się.

## MECHANIZM AUTOMATYCZNEJ OCHRONY

**ZABEZPIECZENIE PRZED PRZEGRZANIEM** – Jeśli kuchenka wykryje wysoka temperaturę, na wyświetlaczu pojawi się kod „E01” i praca kuchenki zostanie zatrzymana. Zabezpieczenie można anulować naciskając przycisk **STOP/ECO**.

**ZABEZPIECZENIE PRZED NISKĄ TEMPERATURĄ** – Jeśli kuchenka przełączy się do trybu niskiej temperatury, na wyświetlaczu pojawi się kod „E02” i praca kuchenki zostanie zatrzymana. Zabezpieczenie można anulować naciskając przycisk **STOP/ECO**.

**ZABEZPIECZENIE PRZED USTERKĄ CZUJNIKÓW** – Jeśli kuchenka wykryje problem z jednym z czujników, wyświetli się kod „E03” lub „E04” i praca kuchenki zostanie zatrzymana. Ponadto urządzenie wyemituje ostrzegawczy sygnał dźwiękowy. Zabezpieczenie można anulować naciskając przycisk **STOP/ECO**.

## AUTOMATYCZNE GOTOWANIE

W przypadku potraw lub poniższego trybu gotowania nie jest konieczne programowanie czasu trwania procesu ani poziomu mocy. Wystarczy wskazać rodzaj potrawy, którą chcesz przygotować, a także masę lub liczbę porcji potrawy

1. W trybie czuwania naciśnij kilkakrotnie przycisk **AUTO MENU**, aby wybrać numer programu.
2. Obróć pokrętko **TIME/WEIGHT**, aby ustawić masę lub liczbę porcji potrawy.
3. Naciśnij przycisk **START/+30s**, aby rozpocząć proces.

## Programy automatycznego gotowania:

Numer programu	Produkt	Uwaga
A-01	Napoje (200 ml/fliżankę, 1 - 3 fliżanki)	<b>1.</b> W przypadku pozycji od „A07” do „A09” oraz „A-13” kuchenka wstrzyma pracę i wyemituje sygnał dźwiękowy przypominający użytkownikowi o obróceniu potrawy na drugą stronę. Następnie naciśnij przycisk <b>START/+30s</b> , aby wznowić proces. <b>2.</b> W przypadku wykorzystania funkcji automatycznego gotowania potrawa może nie zostać przygotowana zgodnie z oczekiwaniami. Zależy to od różnych czynników, takich jak osobiste preferencje, rozmiar i kształt potrawy, temperatura otoczenia, wahania napięcia sieciowego, prawidłowego umieszczenia potrawy na podstawie kuchenki itp. Jeśli potrawa nie zostanie przygotowana zgodnie z Twoimi preferencjami, dostosuj czas trwania procesu do swoich potrzeb.
A-02	Ziemniaki w mundurkach (230 ±10 g/porcję, 1 - 2 porcje)	
A-03	Warzywa (200 - 600 g)	
A-04	Automatyczne podgrzewanie (200 - 800 g)	
A-05	Zupa (300 ml/miseczkę, 1 - 3 miseczki)	
A-06	Ryż (150 - 600 g)	
A-07	Pieczeń wołowa/barania (200 - 600 g)	
A-08	Grillowane kawałki ryby (200 - 600 g)	
A-09	Grillowany bekon (100 g, 200 g, 300 g)	
A-10	Frytki (200 g)	
A-11	Pizza (150 g, 300 g, 450 g)	
A-12	Ciasto (475 g)	
A-13	Pieczony kurczak (800 - 1400 g)	

## CZYSZCZENIE I KONSERWACJA

- Przystępując do czyszczenia wyłącz kuchenkę i odłącz wtyczkę przewodu zasilającego od gniazdka elektrycznego w ścianie.
- Wnętrze kuchenki należy utrzymać w czystości. Jeśli resztki potrawy i rozlane płyny przylegają do ścianek kuchenki, należy zetrzeć je wilgotną ściereczką. W przypadku silnych zabrudzeń do czyszczenia można użyć łagodnych detergentów. Należy unikać stosowania środków czyszczących w sprayu ani środków do szorowania. Mogłoby to doprowadzić do powstania plam, smug lub zmatowienia powierzchni drzwiczek.
- Zewnętrzne powierzchnie kuchenki należy czyścić wilgotną ściereczką. Aby zapobiec uszkodzeniu elementów roboczych wewnątrz urządzenia, nie wolno dopuścić do przedostania się wody do otworów wentylacyjnych.
- Należy regularnie przecierać drzwiczki i szybę po obu stronach, uszczelki drzwiczek i sąsiednie elementy wilgotną ściereczką, aby usunąć wszelkie zachlapania i plamy. Nie należy stosować żadnych środków do szorowania.
- Nie wolno stosować odkurzaczy parowych.
- Nie wolno dopuścić do zamoczenia panelu sterowania. Należy go czyścić miękką, wilgotną ściereczką. Podczas czyszczenia panelu sterowania należy pozostawić otwarte drzwiczki kuchenki, aby zapobiec przypadkowemu włączeniu kuchenki.
- Jeśli para gromadzi się wewnątrz lub na zewnątrz drzwiczek kuchenki, należy przetrzeć zaparowane powierzchnie miękką ściereczką. Może się to zdarzyć, jeśli kuchenka pracuje w warunkach wysokiej wilgotności. Nie oznacza to usterki urządzenia.
- Spód komory operacyjnej należy regularnie czyścić, aby uniknąć zanieczyszczenia i potencjalnego iskrzenia/ uszkodzenia kuchenki. Wystarczy przetrzeć dolną powierzchnię kuchenki łagodnym detergentem.
- Usuń zapachy z kuchenki szklanką za pomocą roztworu wody z dodatkiem soku z całej cytryny umieszczonego w szklanym naczyniu przeznaczonym do kuchenek mikrofalowych. Gotuj z użyciem mikrofal przez pięć minut. Przetrzyj dokładnie i osusz miękką ściereczką.
- W przypadku uszkodzenia żarówki należy skontaktować się z centrum obsługi klienta w celu uzyskania porady.
- Kuchenkę należy regularnie czyścić i usuwać z niej wszystkie pozostałości jedzenia. Dopuszczenie do nadmiernego zanieczyszczenia kuchenki może spowodować zniszczenie jej ścianek, doprowadzić do jej przedwczesnego zużycia oraz może wywołać sytuacje niebezpieczne.
- Nie wolno usuwać opisywanego urządzenia razem ze zwykłymi odpadkami z gospodarstw domowych; należy je przekazać do odpowiedniego punktu zbiórki tego rodzaju urządzeń wyznaczonego przez władze lokalne.
- Podczas pierwszego użycia kuchenki mikrofalowej z funkcją grilla może być wyczuwalny zapach dymu lub spalenizny. To a normalne zjawisko, ponieważ kuchenka została wykonana z blachy stalowej powlekaną olejem smarowym, a nowa urządzenie wytwarza opary i zapachy podczas spalania oleju smarowego. Zjawisko zniknie po pewnym okresie eksploatacji.

## PRZYDATNE NACZYNIA

Żeby możliwe było gotowanie/rozmrzanie w kuchence, promieniowanie mikrofalowe musi przeniknąć przez pojemnik do naczynia. Z tego względu konieczne jest odpowiednie dobranie naczyń.

Zalecane są naczynia owalne/okrągłe zamiast kwadratowych/prostokątnych, ponieważ żywność w rogach może się nadmiernie zagotowywać. Można zastosować rozmaite naczynia, zgodnie z poniższą listą.

Naczynia kuchenne	Odpowiednie do kuchenek mikrofalowych	Grill/termoobieg	Komentarze
Folia aluminiowa Naczynia z folii	✓ / ✗	✓	Można użyć małych kawałków folii aluminiowej do ochrony potraw przed przegrzaniem. Folia powinna znajdować się przynajmniej 2 cm od ścianek kuchenki, ponieważ może dojść do wyładowań. Naczynia foliowe nie są zalecane, o ile wyraźnie nie określił tego producent (np. Microfoil®). Należy przestrzegać dołączonych instrukcji.
Naczynia powodujące rumienienie potraw	✓ / ✗	✗	Zawsze przestrzegaj zaleceń producenta. Nie należy przekraczać podanych czasów nagrzewania. Zachowaj szczególną ostrożność, ponieważ te naczynia mogą się znacznie nagrzewać.
Porcelana i naczynia ceramiczne	✓ / ✗	✗	Porcelana, ceramika, ceramika glazurowana i porcelana kostna są zazwyczaj odpowiednie, z wyjątkiem naczyń posiadających metaliczne ozdoby.
Naczynia szklane, np Pyrex®	✓	✓	Należy zachować szczególną ostrożność przy używaniu delikatnych naczyń szklanych, ponieważ mogą się stłuc lub pęknąć w wyniku nagłego podgrzania.
METAL	✗	✓	Nie jest zalecane stosowanie metalowych naczyń, ponieważ powodują one wyładowania elektryczne, a co za tym idzie mogą doprowadzić do pożaru.
Plastik/polistyren, np. naczynia z barów szybkiej obsługi	✓	✗	Należy zachować ostrożność, ponieważ niektóre naczynia mogą się odkształcić, stopić lub stracić kolor przy wysokich temperaturach.
Folia plastikowa	✓	✗	Nie należy dotykać potraw i folię należy przekłuć, żeby pozwolić na wydostanie się pary.
Torby do zamrażania/ pieczenia	✓	✗	Torby należy przekłuć, żeby pozwolić na wydostanie się pary. Upewnij się, że torby nadają się do użycia w kuchence mikrofalowej.
Papierowe talerze, kubki i papier kuchenny	✓	✗	Nie należy ich wiązać materiałami plastikowymi lub metalowymi, ponieważ mogą się stopić lub zapalić w wyniku wyładowań.
Naczynia słomiane i drewniane	✓	✗	Można używać tylko przy podgrzewaniu lub do wchłaniania wilgoci. Należy zachować ostrożność, ponieważ nadmierne podgrzanie może spowodować pożar.
Papier z recyklingu i gazety	✗	✓	Zawsze należy nadzorować kuchenkę podczas korzystania z takich materiałów, ponieważ nadmierne podgrzanie może spowodować pożar. Mogą zawierać skrawki metalu, które mogą powodować wyładowania i wywołać pożar.



**OSTRZEŻENIE:** Korzystając z plastikowych, papierowych lub innych łatwopalnych pojemników na żywność nigdy nie pozostawiaj urządzenia bez nadzoru.

**UWAGA:** Nie wolno pozostawiać pracującej kuchenki bez nadzoru.

## PORADY DOTYCZĄCE GOTOWANIA PRZY WYKORZYSTANIU MIKROFAL

Gotowanie z wykorzystaniem mikrofal jest szybsze niż tradycyjne metody gotowania. Dlatego konieczne jest przestrzeganie pewnych technik, aby zapewnić dobre rezultaty gotowania. Wiele z poniższych technik jest podobnych do stosowanych w tradycyjnym gotowaniu.



**OSTRZEŻENIE:** Płynów i potraw nie wolno podgrzewać w zamkniętych słoikach/pojemnikach, ponieważ powstałe wewnątrz ciśnienie może spowodować ich eksplozję.

### PORADY DOTYCZĄCE GOTOWANIA:

- Nie odchodź od kuchenki w trakcie jej wykorzystywania.
- Upewnij się, że stosowane naczynia nadają się do użycia w kuchenke mikrofalowej.
- Szczegółowe informacje na temat zalecanych czasów gotowania i poziomów mocy mikrofal można znaleźć w części poświęconej przepisom kucharskim.
- Nie należy umieszczać gorących potraw/naczyni na zimnym płaskim spodzie lub zimnych potraw/naczyni na gorącym płaskim spodzie.
- Popcorn należy przygotowywać wyłącznie w zalecanych do tego opakowaniach (postępuj według instrukcji producenta). Nie wolno używać oleju, o ile nie zostało to wyraźnie zalecone przez producenta, i gotować dłużej niż podano w instrukcji.



**OSTRZEŻENIE:** Zawsze przestrzegaj wskazówek i zaleceń zawartych w instrukcji obsługi firmy SHARP. Jeśli zostanie przekroczony maksymalny zalecany czas gotowania lub zostaną użyte zbyt wysokie ustawienia mocy, potrawy mogą ulec przegrzaniu, spaleni, co skrajnych przypadkach może spowodować pożar i uszkodzenie kuchenki.

### Ustaw

Umieść najgrubsze części potrawy na zewnątrz – np. udka kurczaka.

Żywność umieszczona na brzegu naczynia otrzymuje więcej energii, a co za tym idzie gotuje się szybciej.

### Przykryj

Niektóre potrawy lepiej gotują się w mikrofalówce pod przykryciem.

Przykryj naczynie oddychającą folią do mikrofalówek lub odpowiednią pokrywką.

### Nakłuj

Żywność posiadająca skorupkę, skórkę lub błonę musi zostać przekłuta w kilku miejscach przed gotowaniem lub podgrzaniem, ponieważ powstała w przeciwnym wypadku para może spowodować jej eksplozję.

Np. ziemniaki, ryby, kurczaki, kielbaski.

**UWAGA:** Nie należy używać kuchenki do gotowania jajek, ponieważ mogą eksplodować nawet po zakończeniu procesu gotowania. Np. gotowane w skorupkach, smażone, gotowane na twardo.

### Zamieszaj, obróć i przestaw

Żeby zapewnić równomierne gotowanie, należy mieszać, obracać i przestawiać żywność w trakcie procesu gotowania. Zawsze należy mieszać i przekładać żywność od zewnątrz do środka.

### Odstaw

Po zakończeniu gotowania konieczne jest odstawienie potrawy, co pozwoli na równomierne rozprowadzenie ciepła wewnątrz.

<b>Charakterystyka potrawy</b>	
<b>Skład</b>	Potrawy o dużej zawartości tłuszczu lub cukru (tj. budyń, kruche babeczki) wymagają krótszego czasu podgrzewania. Należy zachować ostrożność, ponieważ przegrzanie może spowodować pożar Kości w mięsie przewodzą ciepło, powodując szybsze gotowanie się potraw. Należy zadbać o równomierne gotowanie potraw.
<b>Gęstość</b>	Gęstość potraw wpływa na wymagany czas gotowania. Lekkie, porowate potrawy, takie jak ciastka i chleb, gotują się szybciej niż ciężkie, gęste potrawy, takie jak pieczenie i mięsa duszone.
<b>Waga</b>	Gęstość promieniowania mikrofalowego pozostaje taka sama, niezależnie od ilości gotowanej żywności. Czas procesu należy zwiększyć odpowiednio do zwiększonej ilości potrawy umieszczonej w kuchenie. Np. cztery ziemniaki będą gotowały się dłużej niż dwa.
<b>Rozmiar</b>	Małe ilości jedzenia gotują się szybciej niż większe, ponieważ mikrofałe mogą wtedy wnikać ze wszystkich stron do samego środka. Żeby gotowanie zachodziło równomiernie, wszystkie kawałki powinny być tej samej wielkości.
<b>Kształt</b>	Żywność o nieregularnych kształtach, taka jak piersi lub udka z kurczaka, gotują się dłużej w grubszych częściach. Żeby zapewnić równomierne gotowanie, umieść grubsze części od zewnętrznej strony talerza, gdzie dostarczona zostanie im większa energia. Potrawy o okrągłych kształtach są równomiernie gotowane niż potrawy o kanciastych formach.
<b>Temperatura potrawy</b>	Początkowa temperatura żywności wpływa na wymagany czas gotowania. Schłodzone potrawy będą gotowały się dłużej od jedzenia o temperaturze pokojowej. Temperatura pojemnika nie jest właściwym wskaźnikiem temperatury żywności lub napojów. Przetnij potrawy z nadzieniem, np. pączki z dżemem, żeby uwolnić ciepło lub parę.



**OSTRZEŻENIE: Twarz i ręce: Zawsze korzystaj z rękawic kuchennych podczas wyjmowania potraw i naczyń z kuchenki. Podczas otwierania drzwiczek odsuń się pozwalając na rozproszenie się ciepła i pary. Podczas zdejmowania przykrycia (takiego jak folia plastikowa), otwierania toreb do pieczenia lub opakowań od popcornu, należy skierować parę z daleka od twarzy i rąk.**



**OSTRZEŻENIE: Sprawdź temperaturę jedzenia i napojów mieszając je przed podaniem. Zachowaj szczególną ostrożność podczas podawania dzieciom lub osobom starszym. Butelki dla niemowląt i słoiki z jedzeniem dla dzieci należy zamieszać lub wstrząsnąć oraz sprawdzić temperaturę przed spożyciem, żeby uniknąć poparzenia.**

# PORADY DOTYCZĄCE ROZMRAŻANIA

Wykorzystanie kuchenki mikrofalowej to najszybsza metoda rozmrażania. Jest to prosty proces, ale należy przestrzegać poniższych wskazówek w celu całkowitego rozmrożenia.

- Usuń wszelkie opakowania przed rozmrażaniem.
- Przy rozmrażaniu żywności należy korzystać z poziomu mocy mikrofal 30P lub 10P.
- Należy zapoznać się z poniższymi informacjami.

## **Przestaw**

Żywność ustawiona na brzegach talerza rozmraża się szybciej od żywności umieszczonej w środku. Z tego względu istotne jest przestawianie produktów do 4 razy podczas rozmrażania.

Przenieś gęsto ustawione produkty z zewnętrznej części do środka i przestaw żywność w stykających się obszarach. Zapewni to równomierne rozmrożenie żywności.

## **Rozdziel**

Produkty mogą być sklejone po wyjęciu z zamrażarki. Ważne jest, żeby rozdzielić je tak szybko jak to możliwe podczas procesu rozmrażania.

Np. plasterki bekonu, filety z kurczaka.

## **Osoń**

Niektóre fragmenty rozmrażanych potraw mogą się nagrzewać. Żeby temu zapobiec i ochronić je przed zagotowaniem, można je okryć małymi kawałkami folii, która odbija promieniowanie mikrofalowe. Np. nóżki i skrzydełka kurczaka.

## **Odstaw**

Wymagane jest odstawienie jedzenia w celu całkowitego rozmrożenia.

Proces rozmrażania nie jest zakończony od razu po wyjęciu potrawy z kuchenki. Potrawę należy przykryć, odstawić i odczekać pewien czas do całkowitego rozmrożenia.

## **Obróć**

Kluczową czynnością jest czterokrotne obracanie potrawy podczas rozmrażania.

Pozwoli to zapewnić całkowite rozmrożenie.



## PORADY DOTYCZĄCE PODGRZEWANIA

Przy podgrzewaniu potraw przestrzegaj poniższych zaleceń, żeby zapewnić gruntowne podgrzanie przed podaniem.

### Dania na talerzu

Zdejmij drób i mięso - podgrzej je osobno. Patrz poniżej.

Umieść mniejsze kawałki potrawy na środku talerza, a większe i grubsze na brzegu. Przykryj oddychającą folią plastikową do mikrofalówek i podgrzej przy poziomie mocy 50P. W połowie czasu podgrzewania zamieszaj/przestaw produkty.

**UWAGA:** Upewnij się, że potrawa jest dokładnie podgrzana przed podaniem.

### Mięso w plastrach

Przykryj oddychającą folią plastikową do mikrofalówek i podgrzej przy poziomie mocy 50P. Przynajmniej raz przestaw produkty, żeby zapewnić równomierne podgrzanie.

**UWAGA:** Upewnij się, że mięso jest dokładnie podgrzane przed podaniem.

### Kawałki drobiu

Umieść najgrubsze kawałki na brzegu talerza, przykryj oddychającą folią do mikrofalówek i podgrzej przy poziomie mocy 70P.

Po upływie połowy czasu rozmrażania przewróć na drugą stronę.

**UWAGA:** Upewnij się, że drób jest dokładnie podgrzany przed podaniem.

### Mięso duszone

Przykryj oddychającą folią do mikrofalówek lub odpowiednią pokrywką i podgrzej przy poziomie mocy 50P. Mieszaj często, żeby zapewnić równe podgrzanie.

**UWAGA:** Upewnij się, że potrawa jest dokładnie podgrzana przed podaniem.

Żeby osiągnąć najlepsze rezultaty podczas podgrzewania, należy wybrać poziom mocy odpowiedni dla danego rodzaju jedzenia. Np. miskę warzyw można podgrzać przy poziomie mocy 100P, natomiast lasagne zawierającą składniki, których nie można zamieszać, należy podgrzewać przy poziomie mocy 50P.

#### UWAGI:

- Wyjmij jedzenie z folii lub metalowych opakowań przed podgrzewaniem.
- Na czas podgrzewania ma wpływ kształt, rozmiar, masa i temperatura żywności, a także wymiary, kształt i materiał naczynia.



**OSTRZEŻENIE:** Nigdy nie należy ogrzewać płynów w pojemnikach o wąskich szyjkach, ponieważ gorący płyn może z nich gwałtownie wytrysnąć, powodując oparzenia.

- Żeby uniknąć przegrzania lub pożaru, należy zachować szczególną ostrożność podczas gotowania i podgrzewania potraw zawierających duże ilości cukru lub tłuszczu, np. kruchych ciast lub budyniu.
- Nigdy nie podgrzewaj oleju lub tłuszczu do głębokiego smażenia, ponieważ może to doprowadzić do przegrzania i pożaru.
- Nie wolno podgrzewać puszkowanych ziemniaków w kuchenke mikrofalowej. Postępuj według zaleceń producenta umieszczonych na puszcze.



**OSTRZEŻENIE:** W celu uniknięcia poparzeń należy zawsze sprawdzać temperaturę pokarmów dla niemowląt i mieszać zawartość butelek i naczyń przed podaniem.

## ROZWIĄZYWANIE PROBLEMÓW

Jeśli kuchenka pracuje nieprawidłowo, możesz w prosty sposób sprawdzić jej działanie zanim wezwiesz serwis. Pozwoli to uniknąć zbędnego kontaktowania się z personelem serwisu w przypadku niewielkiego problemu.

Przeprowadź następujące proste czynności kontrolne:

Umieść w kuchenke filiżankę z wodą na płaskim spodzie i zamknij drzwiczki. Ustaw kuchenkę na gotowanie przez minutę wykorzystując poziom mocy mikrofal 100P.

1. Czy lampka oświetleniowa świeci podczas gotowania?
2. Czy wentylator pracuje? (Sprawdź przykładając dłoń do otworów wentylacyjnych.)
3. Czy po upływie minuty rozlega się sygnał dźwiękowy?
4. Czy woda w filiżance jest gorąca?

Wymij filizankę z wodą z kuchenki i zamknij drzwiczki. Ustaw tryb pracy na grill i uruchom kuchenkę na trzy minuty.

5. Czy po trzech minutach elementy grzejne grilla są czerwone? Jeśli odpowiedź na którekolwiek z powyższych pytań brzmi „NIE”, sprawdź, czy zasilanie kuchenki jest prawidłowo podłączone lub bezpiecznik nie przerwał zasilania na skutek zwarcia elektrycznego. Jeśli nie występuje żadna z powyższych przyczyn, zapoznaj się z tabelą rozwiązywania problemów.



**OSTRZEŻENIE: Nigdy nie próbuj samodzielnie regulować, naprawiać ani modyfikować urządzenia. Wszystkie naprawy i czynności serwisowe są niebezpieczne i powinny być przeprowadzone wyłącznie przez wykwalifikowanych pracowników serwisu firmy SHARP. Jest to bardzo ważne, ponieważ naprawa lub serwisowanie może wymagać demontażu osłon, które chronią przed promieniowaniem mikrofal.**

- Uszczelki drzwiczek chronią przed przenikaniem promieniowania mikrofal na zewnątrz pracującej kuchenki, ale nie tworzą hermetycznego uszczelnienia. Pojawienie się kropeł wody, światła lub ciepłego powietrza wokół drzwiczek kuchenki jest zjawiskiem zupełnie normalnym. Podgrzewanie potraw o wysokiej zawartości wilgoci uwalnia parę wodną i powoduje jej skraplanie na wewnętrznej powierzchni drzwiczek. Krople wody mogą kapać z urządzenia.
- Naprawy i modyfikacje urządzenia: Nie wolno używać kuchenki, jeśli nie działa prawidłowo.
- Dostęp do obudowy i lampki oświetleniowej: Nie wolno zdejmować obudowy urządzenia. Jest to bardzo niebezpieczne, ponieważ wewnętrzne elementy kuchenki znajdują się pod wysokim napięciem. Dotknięcie ich grozi śmiercią.

Opisywana kuchenka nie została wyposażona w osłonę umożliwiającą dostęp do lampki oświetleniowej.

W przypadku przepalenia lampki użytkownik nie powinien próbować wymienić jej samodzielnie, lecz skontaktować się z autoryzowanym serwisem firmy SHARP.

## TABELA ROZWIĄZYWANIA PROBLEMÓW

PYTANIE	ODPOWIEŹ
Wokół drzwiczek odczuwalne jest wypływanie powietrza na zewnątrz.	Podczas pracy kuchenki powietrze przepływa w komorze operacyjnej. Drzwiczki nie zapewniają hermetycznego uszczelnienia. Dlatego powietrze może wydostawać się na zewnątrz poprzez drzwiczki.
Para wodna skrapla się w kuchenke, więc krople wody mogą kapać na zewnątrz poprzez drzwiczki.	Zazwyczaj komora operacyjna jest chłodniejsza od potrawy przeznaczonej do gotowania. Dlatego wytworzona para wodna skrapla się na chłodniejszej powierzchni. Ilość wytworzonej pary wodnej zależy od zawartości wody w potrawie przeznaczonej do gotowania. Niektóre produkty spożywcze, np. ziemniaki, odznaczają się wysoką zawartością wilgoci. Skroplona para wodna, pozostająca wewnątrz szklanej części drzwiczek, powinna zniknąć po kilku godzinach.
Migotanie lub iskrzenie wewnątrz komory operacyjnej podczas gotowania.	Iskrzenie pojawia się podczas gotowania, jeśli metalowy przedmiot znajdzie się w pobliżu ścianki komory operacyjnej. Może to doprowadzić do zadrapania powierzchni komory operacyjnej, ale nie powinno powodować innych uszkodzeń kuchenki.
Iskrzące ziemniaki.	Dokładnie usuń wszystkie „oczka” z ziemniaków, a następnie nakłuj ziemniaki. Ułóż bezpośrednio na płaskim spodzie albo w naczyniu żaroodpornym lub podobnym.
Chociaż wyświetlacz jest podświetlony, panel sterowania nie działa po naciśnięciu przycisku.	Sprawdź, czy drzwiczki zostały prawidłowo zamknięte.
Kuchenka gotuje zbyt wolno.	Upewnij się, że został wybrany prawidłowy poziom mocy mikrofal.
Kuchenka głośno pracuje.	Podczas gotowania/rozmarzania promieniowanie mikrofal jest włączane i wyłączane naprzemiennie.
Zewnętrzna obudowa jest bardzo gorąca.	Obudowa może być gorąca i nie wolno jej dotykać - dzieci nie powinny zbliżać się do kuchenki.

## ZAKŁÓCENIA FAL RADIOWYCH

Pracująca kuchenka mikrofalowa może powodować zakłócenia odbiorników radiowych i telewizyjnych lub podobnego sprzętu. W przypadku wystąpienia zakłóceń można je zmniejszyć lub wyeliminować podejmując poniższe środki:

1. Oczyszczyć drzwiczki i powierzchnie uszczelniające kuchenki.
2. Zmienić orientację odbiorczej anteny radiowej lub telewizyjnej.
3. Zmienić położenie kuchenki względem odbiornika.
4. Odsunąć kuchenkę mikrofalową od odbiornika.
5. Podłączyć kuchenkę mikrofalową do innego gniazdka elektrycznego, aby kuchenka i odbiornik były podłączone do innych obwodów.

## ZANIM WEZWIESZ POMOC

Przed wezwaniem pracownika serwisu należy sprawdzić następujące punkty:

- Sprawdź, czy kuchenka jest prawidłowo podłączona. Jeśli nie, odłącz wtyczkę od gniazdka elektrycznego, odczekaj dziesięć sekund i starannie podłącz ją ponownie.
- Sprawdź, czy bezpiecznik/wyłącznik automatyczny nie przerwał zasilania na skutek zwarcia elektrycznego. Jeśli wydaje się, że działa prawidłowo, sprawdź gniazdko elektryczne podłączając inne sprawnie działające urządzenie.
- Sprawdź, czy panel sterowania został prawidłowo zaprogramowany i czy timer jest ustawiony.
- Sprawdź, czy drzwiczki są dokładnie zamknięte, włączając system blokady drzwiczek. Jeśli drzwiczki nie zostaną prawidłowo zamknięte, kuchenka nie będzie działać.

**JEŚLI ŻADNE Z POWYŻSZYCH ROZWIĄZAŃ NIE ELIMINUJE PROBLEMU, NALEŻY SKONTAKTOWAĆ SIĘ POMOCĄ TECHNICZNĄ FIRMY SHARP. NIE PRÓBUJ SAMODZIELNIE REGULOWAĆ ANI NAPRAWIAĆ KUCHENKI.**



**Let op:**

Uw product is van dit merkteken voorzien. Dit betekent dat afgedankte elektrische en elektronische apparatuur niet samen met het normale huisafval mogen worden weggegooid. Er bestaat een afzonderlijk inzamelingsstelsel voor deze producten.

## A. Informatie over afvalverwijdering voor gebruikers (particuliere huishoudens)

### 1. In de Europese Unie

Let op: Deze apparatuur niet samen met het normale huisafval weggooien! Afgedankte elektrische en elektronische apparatuur moet gescheiden worden ingezameld conform de wetgeving inzake de verantwoorde verwerking, terugwinning en recycling van afgedankte elektrische en elektronische apparatuur.

Na de invoering van de wet door de lidstaten mogen particuliere huishoudens in de lidstaten van de Europese Unie hun afgedankte elektrische en elektronische apparatuur kosteloos\* naar hiertoe aangewezen inzamelingsinrichtingen brengen\*.

In sommige landen\* kunt u bij de aanschaf van een nieuw apparaat het oude product kosteloos bij uw lokale distributeur inleveren.

\*) Neem contact op met de plaatselijke autoriteiten voor verdere informatie. Indien uw gebruikte elektrische of elektronische apparatuur batterijen of accu's bevat, dan dienen deze hieraan vooraf afzonderlijk, conform de plaatselijke voorschriften, te worden weggegooid. Door dit product op een verantwoorde manier weg te gooien, zorgt u ervoor dat het afval de juiste verwerking, terugwinning en recycling ondergaat en potentiële negatieve effecten op het milieu en de menselijke gezondheid worden voorkomen, die anders door het verkeerd verwerken van het afval zouden kunnen ontstaan.

### 2. In andere landen buiten de Europese Unie

Als u dit product wilt weggooien, neem dan contact op met de plaatselijke autoriteiten voor informatie omtrent de juiste verwijderingsprocedure.

Voor Zwitserland: U kunt afgedankte elektrische en elektronische apparatuur kosteloos bij de distributeur inleveren, zelfs als u geen nieuw product koopt.

Aanvullende inzamelingsinrichtingen zijn vermeld op de startpagina van [www.swico.ch](http://www.swico.ch) of [www.sens.ch](http://www.sens.ch).

## B. Informatie over afvalverwijdering voor bedrijven

### 1. In de Europese Unie

Als u het product voor zakelijke doeleinden heeft gebruikt en als u dit wilt weggooien:

Neem contact op met uw SHARP distributeur die u inlichtingen verschaft over de terugname van het product. Het kan zijn dat u een afvalverwijderingsbijdrage voor de terugname en recycling moet betalen. Kleine producten (en kleine hoeveelheden) kunnen door de lokale inzamelingsinrichtingen worden verwerkt.

Voor Spanje: Neem contact op met de inzamelingsinrichting of de lokale autoriteiten voor de terugname van uw afgedankte producten.

### 2. In andere landen buiten de Europese Unie

Als u dit product wilt weggooien, neem dan contact op met de plaatselijke autoriteiten voor informatie omtrent de juiste verwijderingsprocedure.

## VOORZORGSMAATREGELEN OM MOGELIJKE BLOOTSTELLING AAN MICROGOLFENERGIE TE VERMIJDEN

1. Probeer niet om deze oven te gebruiken met de deur open: dit kan leiden tot een schadelijke blootstelling aan microgolven. Het is belangrijk om de veiligheidssluitingen intact te houden en hier niet mee te knoeien.
2. Plaats niets tussen de voorkant van de oven en de deur en voorkom dat vuil of resten van schoonmaakmiddelen zich ophopen op de afdichtingen.
3. Gebruik de oven niet indien deze is beschadigd. Het is bijzonder belangrijk dat de ovendeur goed sluit en dat de deur zelf en de scharnieren, veiligheidsvergrendelingen of afdichtingen van de deur en afdichtingsvlakken niet beschadigd zijn.
4. Tracht de oven niet te repareren of af te stellen.

## INHOUDSOPGAVE

BELANGRIJKE VEILIGHEIDSMATREGELEN .....	3
INSTALLATIE.....	14
SPECIFICATIES.....	16
OVEN EN TOEBEHOREN.....	17
BEDIENINGSPANEEL .....	18
VOOR INGEBRUIKNAME .....	19
DE KLOK INSTELLEN.....	19
SNELLE BEREIDING.....	19
VOEDSEL BEREIDEN MET DE MAGNETRON .....	19
GRILL .....	19
MAGNETRON+GRILL .....	20
CONVECTIE .....	20
MAGNETRON+CONVECTIE.....	20
ONTDOOIEN OP GEWICHT .....	20
TIJD-ONTDOOIEN .....	21
KOOKWEKKER.....	21
FAVORIETE FUNCTIE .....	21
ENERGIESPAARSTAND.....	22
GEDEMPTE MODUS .....	22
KINDERSLOT .....	22
VEILIGHEIDSVERGRENDELINGSSYSTEEM .....	22
AUTOMATISCH BESCHERMINGSMECHANISME.....	22
AUTOMATISCH KOKEN .....	22
REINIGING EN ZORG .....	23
GESCHIKTE SCHALEN.....	24
TIPS VOOR KOKEN MET DE MAGNETRON .....	25
TIPS VOOR ONTDOOIING.....	26
TIPS VOOR OPWARMEN.....	27
PROBLEEMOPLOSSING.....	28
RADIOSTORING .....	29
VOORDAT U HULP INROEPT.....	29

## BELANGRIJKE VEILIGHEIDSMATREGELEN

### ZORGVULDIG LEZEN EN BEWAREN VOOR GEBRUIK IN DE TOEKOMST.

#### Voorkomen van brand.

**Laat de combi-magnetron tijdens gebruik niet onbeheerd achter. Te hoge vermogensniveaus of te lange bereidingstijden kunnen het voedsel mogelijk oververhitten met brand als gevolg.**

Deze oven is alleen ontworpen om los te staan. Hij is niet ontworpen om in een keuken ingebouwd te worden.

Plaats de oven niet in een kast.

Steek de stekker van het netsnoer in een gemakkelijk toegankelijk stopcontact zodat u de stekker bij nood snel uit het stopcontact kunt trekken.

Sluit de oven alleen aan op een stopcontact met 230-240 V, 50 Hz wisselstroom met een minimale 10A-zekering of een minimale 10A-circuitonderbreker. Voor dit apparaat moet een afzonderlijk stroomcircuit worden gebruikt dat alleen voor dit apparaat bestemd is.

Plaats de oven niet op een plaats waar hitte ontstaat, bijvoorbeeld naast een gewone oven.

Plaats de oven niet in een zeer vochtige of natte ruimte.

Plaats of gebruik de oven niet buitenshuis.

**Als u rook opmerkt, dient u de oven uit te schakelen of de stekker uit het stopcontact te**

**trekken en de deur gesloten te houden zodat eventuele vlammen doven.**

**Gebruik alleen magnetronvaste bakken en gerei. Gerei moet nagekeken worden om er zeker van te zijn dat het geschikt is voor gebruik in magnetrons.**

**Bij het verwarmen van eten in plastic of papieren bakjes dient u op de combi-magnetron te letten of de bakjes geen vlam vatten.**

**Reinig het afdekplaatje van de golfgeleider en de ovenruimte.**

**Deze onderdelen dienen droog en vetvrij te zijn. Opgehoopt vet kan mogelijk oververhitten, gaan roken en vlam vatten.**

Plaats geen ontvlambare materialen in de buurt van de oven of de ventilatie-openingen.

Blokkeer de ventilatie-openingen niet.

Verwijder alle metalen draadjes, verzegelingen, enz. van het voedsel en de verpakking. Vonken van metalen voorwerpen kunnen mogelijk brand veroorzaken.

Gebruik de combi-magnetron niet voor bakken met olie of het verwarmen van frituurvet. De temperatuur kan namelijk niet worden geregeld en de olie kan mogelijk vlam vatten.

Gebruik alleen popcorn die in een voor magnetrons geschikt materiaal is verpakt.

Bewaar geen voedsel of andere voorwerpen in de oven.

Controleer de instellingen van de oven na het starten

---

ervan om ervoor de zorgen dat de oven naar wens werkt.

Laat de oven niet onbewaakt achter terwijl deze in werking is.

Om oververhitting en brand te voorkomen dient u goed op te letten wanneer u voedsel met een hoog suiker- of vetgehalte, zoals bijvoorbeeld worstenbroodjes, gebak of kerstpudding verhit of opwarmt.

Volg de bijbehorende aanwijzingen in de gebruikershandleiding.

### **Voorkomen van letsel.**

#### **WAARSCHUWING:**

Gebruik de oven niet indien deze is beschadigd of niet normaal functioneert. Controleer voor gebruik het volgende:

- a) Controleer of de deur goed sluit en niet krom of anders beschadigd is.
- b) Controleer of de scharnieren en deurvergrendelingen niet gebroken zijn of loszitten.
- c) Controleer of de deurafdichtingen en afdichtingsvlakken niet zijn beschadigd.
- d) Controleer of er geen deuken in de ovenruimte of in de deur zitten.
- e) Controleer of het netsnoer en de stekker niet beschadigd zijn.

Als de deur of de afdichtingen beschadigd zijn, mag de oven niet gebruikt worden totdat hij door een



vakman is gerepareerd.

**Stel de oven nooit zelf af en repareer of wijzig de oven nooit zelf.**

**Alleen een gekwalificeerde technicus mag onderhouds- of reparatiewerkzaamheden uitvoeren waarbij de afdekking die bescherming biedt tegen blootstelling aan microgolven wordt verwijderd. Als iemand anders dit doet, is dat gevaarlijk.**

Gebruik de oven niet wanneer de deur openstaat en bewerk de vergrendelingen van de deur niet. Gebruik de oven niet wanneer er zich een voorwerp tussen de deurafdichtingen en pasvlakken bevindt.

**Laat vet of vuil zich niet opbouwen op de deurafdichtingen of aangrenzende delen. Reinig de oven regelmatig en verwijder voedselresten. Volg de instructies voor "Onderhoud en reiniging". Indien de oven niet naar behoren schoon wordt gehouden, kan dit leiden tot aantasting van het oppervlak. Dit kan dan weer leiden tot een verkorte levensduur van het apparaat en mogelijk tot gevaarlijke situaties.**

Personen met een PACEMAKER dienen een dokter of de fabrikant van de pacemaker te raadplegen aangaande speciale voorzorgsmaatregelen bij gebruik van combi-magnetrons.

**Het voorkomen van de mogelijkheid van een elektrische schok.**

De behuizing mag nooit worden geopend of

---

verwijderd.

Zorg dat er geen vloeistoffen of andere voorwerpen in de openingen van de deurvergrendelingen of ventilatie-openingen komen. Indien er iets in deze openingen terecht is gekomen schakel de oven dan onmiddellijk uit, trek de stekker uit het stopcontact en raadpleeg erkend SHARP onderhoudspersoneel.

Dompel het netsnoer en de stekker niet in water of andere vloeistoffen.

Laat het netsnoer niet over de rand van een tafel of werkblad hangen.

Houd het netsnoer uit de buurt van warme oppervlakken, inclusief de achterkant van de oven. Houd het apparaat en het netsnoer buiten bereik van kinderen jonger dan 8 jaar.

Vervang de ovenlamp niet zelf en laat dit niet door ondeskundige, niet door SHARP erkende elektriciens uitvoeren. Raadpleeg uw dealer of erkend SHARP onderhoudspersoneel indien de ovenlamp niet meer functioneert.

Indien het netsnoer van dit apparaat is beschadigd, moet dit vervangen worden door een speciaal snoer. De vervanging moet gedaan worden door erkend SHARP onderhoudspersoneel.

**Om de mogelijkheid van een explosie en overkoken te voorkomen:**

**WAARSCHUWING: Vloeistoffen en andere etenswaren mogen niet in gesloten bakjes en verpakkingen worden opgewarmd, aangezien ze**

**kunnen ontploffen.**

**Bij het verhitten van dranken in de magnetron kunnen deze soms later nog overkoken. Houd hiermee rekening wanneer u de verpakking vastpakt.**

Gebruik nooit gesloten bakjes. Verwijder de sluiting en deksels voor gebruik. Gesloten bakjes en dergelijke kunnen zelfs nadat de oven is uitgeschakeld nog ontploffen door de opgebouwde druk.

Let op bij het bereiden van vloeistoffen met de magnetron. Gebruik altijd flessen of verpakkingen met een wijde hals zodat bellen kunnen ontsnappen.

**Verhit nooit vloeistoffen in flessen met een dunne hals, zoals baby-zuigflessen, daar de vloeistof plotseling uit de fles zou kunnen spuiten en brandwonden kan veroorzaken.**

Om te voorkomen dat kokende vloeistof uit de fles spat:

1. Gebruik niet te veel bereidingstijd.
2. Roer de vloeistof voor het verwarmen/ opwarmen.
3. Het wordt aanbevolen om tijdens het opwarmen een glazen staaf of dergelijk voorwerp (geen metaal) in de vloeistof te steken.
4. Laat de vloeistof na het koken ten minste 20 seconden in de oven staan om te voorkomen dat de vloeistof later uit de fles spuit.

**Verhit nooit hele eieren in hun schaal in de combi-magnetron. Ook hardgekookte eieren moeten niet in combi-magnetrons worden opgewarmd,**

---

**aangezien ze kunnen ontploffen, zelfs nadat de combi-magnetron is uitgezet. Voor het opwarmen van eieren die niet zijn geklopt, dient u het eigeel en eiwit door te prikken om ontploffing te voorkomen. Pel en snijd hard gekookte eieren in plakjes alvorens deze in de combi-magnetron te verwarmen.**

Prik ter voorkomen van het ontploffen van voedsel de schil of het vel van aardappelen, worstjes, fruit en dergelijke door voor het verwarmen.

**Om de mogelijkheid van brandwonden te voorkomen.**

**WAARSCHUWING: De inhoud van babyflesjes en potjes babyvoedsel moet geroerd of geschud worden en de temperatuur moet gecontroleerd worden voor gebruik om brandwonden te voorkomen.**

**Voorkom brandwonden en gebruik ovenwanten of pannelappen wanneer u het voedsel uit de oven haalt.**

Voorkom brandwonden door hete stoom en overkoken en houd open bakjes, popcornschalen, kookzakken en dergelijk uit de buurt van uw gezicht en handen.

Voor het voorkomen van brandwonden, probeer de temperatuur van het voedsel altijd en roer het door voordat u het serveert. Besteed speciale aandacht aan de temperatuur van voedsel en dranken voor baby's, kinderen of ouderen. Toegankelijke delen kunnen

tijdens gebruik heet worden. Houd kleine kinderen op afstand..

De temperatuur van de verpakking komt niet overeen met de temperatuur van het voedsel of de vloeistof. Controleer altijd de temperatuur van het voedsel of de vloeistof.

Blijf altijd op veilige afstand van de ovendeur staan wanneer u deze opent, om brandwonden door ontsnappende stoom of hitte te voorkomen.

Snijd gevulde gebakken etenswaren na het koken om de stoom te laten ontsnappen en brandwonden te voorkomen.

Houd kinderen uit de buurt van de oven zodat zij zich niet aan een hete oven kunnen branden.

### **Incorrect gebruik door kinderen voorkomen.**

**WAARSCHUWING: Laat kinderen vanaf de leeftijd van 8 jaar alleen de combi-magnetron zonder toezicht bedienen na voldoende instructie zodat het kind de magnetron veilig kan gebruiken en zich bewust is van de mogelijke gevaren van verkeerd gebruik. Wanneer het apparaat bediend wordt op de functies GRILL, MIX GRILL en AUTO MENU, mogen kinderen de combi-magnetron alleen onder toezicht van volwassenen gebruiken vanwege de opgewekte temperaturen.**

**Dit apparaat is niet bedoeld voor gebruik door personen (inclusief kinderen) met verminderde fysieke, zintuiglijke of verstandelijke vermogens, of gebrek aan ervaring of kennis, tenzij zij onder**

---

**toezicht hebben gestaan of instructies over het gebruik van het apparaat hebben ontvangen van een verantwoordelijke van hun veiligheid. Houd toezicht op kinderen zodat zij niet met het apparaat kunnen spelen. Modellen met het elektronische aanraakpaneel beschikken over een kinderslotmodus.**

Let op dat kinderen niet aan de deur of oven gaan hangen. De oven is geen speelgoed.

Zorg dat kinderen ook van alle veiligheidsmaatregelen op de hoogte zijn: het gebruik van pannenlappen, het voorzichtig verwijderen van de afdekking van voedsel; benadruk dat de verpakking van bepaalde gerechten (bijvoorbeeld voor het knapperig maken van voedsel) zeer heet kan worden.

### **Overige waarschuwingen**

Breng op geen enkele manier veranderingen aan de oven aan.

Verplaats de oven niet terwijl deze in werking is.

Dit apparaat is bedoeld voor huishoudelijk gebruik.

Deze oven dient alleen voor het bereiden van voedsel thuis en dient derhalve alleen voor het bereiden van voedsel en dranken te worden gebruikt. Het drogen van voedsel of kleding en het opwarmen van warme kompressen, pantoffels, sponzen, vochtige doeken en dergelijke kan een risico op letsel, ontbranding of brand opleveren. Gebruik de oven niet voor commerciële doeleinden of in een laboratorium.

## **Voorkomen van problemen of beschadiging.**

Gebruik de oven nooit wanneer deze leeg is. Ter voorkoming van beschadiging van de bodem van de oven door oververhitting dient u bij gebruik van bruineringschalen of zelfverwarmende materialen altijd een hittebestendig isolatiemateriaal zoals een porseleinen bord onder de schaal of het materiaal te plaatsen. Overschrijd nooit de in de handleiding van het vaatwerk voorgeschreven opwarmtijd.

Gebruik geen metalen voorwerpen. Microgolven reflecteren hier namelijk op waardoor vonken kunnen ontstaan. Plaats geen blikjes in de oven.

Voorkom als volgt dat de bodem van de oven breekt:

- a) Laat het bodemvlak afkoelen alvorens de bodem van de oven met water te reinigen.
- b) Plaats heet voedsel of hete schalen en dergelijke niet op een koude ovenbodem.
- c) Plaats koud voedsel of koude schalen en dergelijke niet op een warme ovenbodem.

Plaats tijdens gebruik geen voorwerpen op de behuizing van de oven.

### **OPMERKING:**

Gebruik geen plastic verpakkingen bij het opwarmen met de magnetronfunctie indien de oven nog steeds heet is van het gebruik van de GRILL en MIX GRILL-functie omdat deze dan kunnen smelten.

Plastic bakjes en verpakkingen kunnen niet met de hierboven genoemde functie worden gebruikt tenzij

---

het bakje of verpakking door de fabrikant als geschikt zijn gemerkt.

Raadpleeg een erkend elektricien indien u twijfels heeft over het aansluiten van uw oven.

Noch de fabrikant noch de dealer zijn aansprakelijk voor schade aan de oven of letsel indien de oven niet op de voorgeschreven, juiste manier is aangesloten.

Condens of vocht kunnen zich mogelijk op de ovenwanden of rond de deurafdichtingen en pasvlakken vormen. Dit is normaal en duidt niet op een defect of het lekken van microgolven.



Dit symbool betekent dat oppervlakten door gebruik heet kunnen worden.

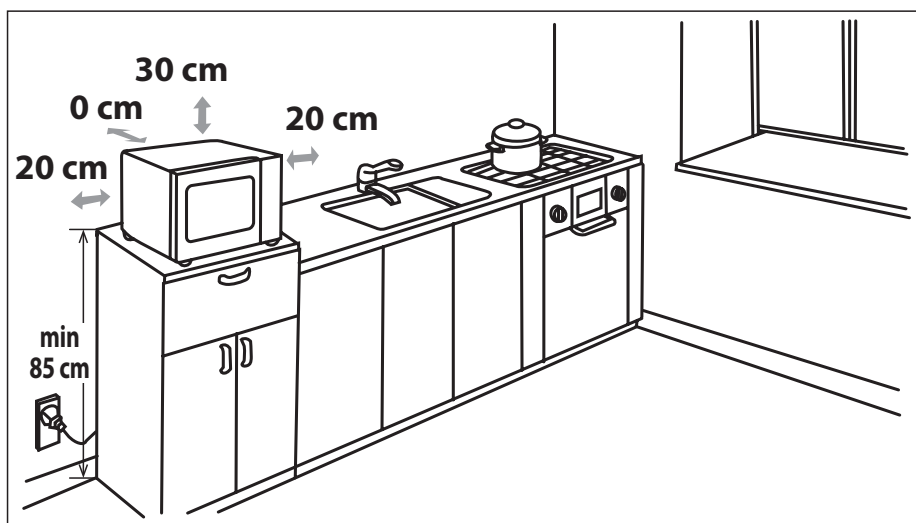


## INSTALLATIE

1. Verwijder al het verpakkingsmateriaal uit de binnenkant van de oven en verwijder de beschermingslaag van de behuizing van de magnetron.
2. Controleer de oven zorgvuldig op tekenen van beschadiging.
3. Plaats de oven op een veilig, vlak oppervlak, dat sterk genoeg is om het gewicht van de combi-magnetron plus de zwaarst mogelijk te koken artikelen te dragen. Plaats de oven niet in een kast.
4. Kies een vlak oppervlak met genoeg ruimte voor de ventilatieopeningen. Zie de afbeelding op de eerste pagina.

De achterkant van het apparaat kan tegen een muur worden geplaatst.

- De minimale installatiehoogte bedraagt 85 cm.
- Er dient minimaal 20 cm ruimte over te worden gelaten tussen de zijkanten van de oven en eventuele wanden of voorwerpen.
- Laat een minimale ruimte van 30 cm boven de oven open.
- Verwijder de voetjes van de onderkant van de oven niet.
- Blokkering van de ventilatieopeningen kan de oven beschadigen.
- Plaats de oven zo ver mogelijk verwijderd van radio's en tv's. Gebruik van de magnetron kan de ontvangst van uw radio of tv verstoren.



5. Steek de stekker van de oven in een standaard geaard stopcontact.

**WAARSCHUWING:** Plaats de oven niet op een plek waar hitte of vochtigheid ontstaat (bijvoorbeeld naast of boven een gewone oven) of naast brandbare materialen (bijvoorbeeld gordijnen).

Blokkeer of belemmer de ventilatieopeningen niet.

Plaats geen objecten op de oven.

Raak de buitenkant van de magnetron niet aan terwijl hij in werking is of kort daarna, aangezien die dan warm is.

# SPECIFICATIES

Modelnaam		YC-GC52FE
AC-netspanning		230-240 V, 50 Hz 1-fase
Zekering/circuitonderbreker		10 A
Vereist vermogen wisselstroom		1400 W
Geleverd vermogen:	Magnetron	900 W
	Grill	1200 W
	Convectie	2050 W
	Stand-by	< 1,0 W
	Energiespaarstand	< 0,5 W
Frequentie van de magnetron		2450 MHz*
Buitenste afmetingen (B) x (H) x (D) mm		490 x 287 x 495
Afmetingen binnenkant (B) x (H) x (D)** mm		330 x 220 x 335
Ovencapaciteit		25 liter**
Grilrooster		ø 220 mm, H: 85 mm
Bakplaat		ø 280 mm, H: 49 mm
Gewicht		ca. 18,6 kg
Ovenlamp (led)		1,5 W

\* - Dit product voldoet aan de vereisten van de Europese norm EN55011.

In overeenstemming met deze norm is dit product geclassificeerd als apparatuur in groep 2 klasse B.

Groep 2 betekent dat er opzettelijk radiofrequentie-energie wordt gegenereerd onder de vorm van elektromagnetische straling om voedingswaren op te warmen en te bereiden.

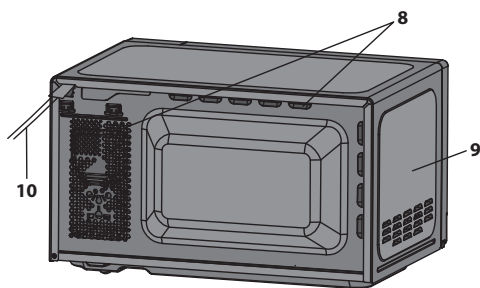
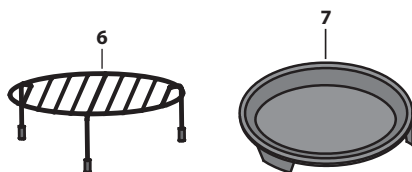
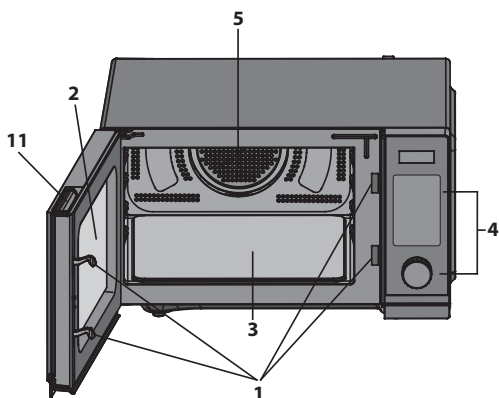
Klasse B betekent dat dit product geschikt is voor normaal huishoudelijk gebruik.

\*\* - De inhoud wordt berekend door het meten van de maximale breedte, hoogte en diepte van het apparaat. De eigenlijke inhoud voor voedsel is minder.

ALS ONDERDEEL VAN ONS BELEID VAN CONTINUE VERBETERINGEN, BEHOUDEN WIJ HET RECHT OM HET ONTWERP EN DE SPECIFICATIES ZONDER VOORAFGAANDE KENNISGEVING TE WIJZIGEN.

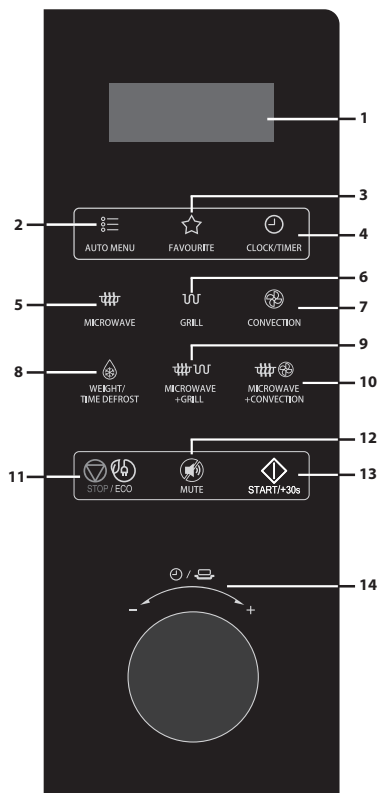
# OVEN EN TOEBEHOREN

1. Veiligheidsvergrendelingsysteem voor de deur
2. Ovenvenster
3. Bodemplaat ovenruimte
4. Bedieningspaneel
5. Verwarmingselement grill
6. Grilrooster
7. Bakplaat
8. Ventilatie-openingen
9. Behuizing
10. Netsnoer
11. Deurgreep



# BEDIENINGSPANEEL

1. **DISPLAY:** Weergave van bereidingstijd, vermogen, indicaties en kloktijd.
2. **AUTO MENU:** Druk hierop om het menu voor automatische bereiding te selecteren.
3. **FAVORIET:** Sla hiermee programma's op.
4. **KLOK/KOOKWEKKER:** Stel hiermee de kloktijd in. Stel hiermee de kookwekkerfunctie in.
5. **MAGNETRON:** Druk hierop om het vermogen van de magnetron te selecteren.
6. **GRILL:** Druk hierop om het bereidingsprogramma voor grillen in te stellen.
7. **CONVECTIE:** Druk hierop om het bereidingsprogramma voor convectiekoken in te stellen.
8. **ONTDOOIEN OP GEWICHT/TIJD:** Druk eenmaal hierop om voedsel te ontdooien op basis van het gewicht. Druk tweemaal om voedsel te ontdooien voor een bepaalde tijdsduur.
9. **MAGNETRON+GRILL:** Druk hierop om het bereidingsprogramma voor de combinatie van magnetron en grill in te stellen.
10. **MAGNETRON+ CONVECTIE:** Druk hierop om het bereidingsprogramma voor de combinatie van magnetron en convectie in te stellen.
11. **STOP/ECO** - Druk eenmaal hierop om de bereiding tijdelijk te onderbreken of tweemaal om de bereiding volledig te annuleren. Stel hiermee de energiespaarstand in.
12. **DEMPEN:** Druk eenmaal hierop om de gedempte modus in te schakelen; druk er nogmaals op om de gedempte modus uit te schakelen. Houd deze toets (3 sec.) ingedrukt om het KINDERSLOT in te schakelen. Nogmaals ingedrukt houden om het uit te schakelen.
13. **START/+30s:** Druk hierop om bereidings- en ontdooiingsprogramma's te starten. Druk er gewoon enkele malen op om de bereidingstijd in te stellen en onmiddellijk op maximaal vermogen te beginnen bereiden.
14. **TIJD/GEWICHT (draaiknop)** - Draai hieraan om de tijd, het voedselgewicht of de porties in te stellen.



## VOOR INGEBRUIKNAME

- Wanneer de stekker van de oven voor het eerst wordt ingestoken, klinkt een pieptoon en wordt op het display "1:01" weergegeven.
- Als er in de instelmodus gedurende 30 seconden niet op een toets wordt gedrukt, wordt de stand-bymodus geactiveerd.
- Druk tijdens de bereiding eenmaal op de **STOP/ECO**-toets om het programma te pauzeren en druk vervolgens op de toets **START/+30s** om het te hervatten. Wanneer u tweemaal op de **STOP/ECO**-toets drukt, wordt het programma geannuleerd.
- Wanneer de bereidingscyclus is voltooid, wordt op het scherm **End** weergegeven en klinkt om de twee minuten een pieptoon tot de deur wordt geopend of op een toets wordt gedrukt.

## DE KLOK INSTELLEN

Volg de onderstaande instructies om de klok in te stellen:

1. Houd in de stand-bymodus de toets **KLOK/KOOKWEKKER** 3 seconden ingedrukt om de 12-uursweergave te selecteren; druk nogmaals op de toets om de 24-uursweergave te selecteren.
2. Draai aan de knop **TIJD/GEWICHT** om het uur in te stellen.
3. Druk eenmaal op **START/+30s**.
4. Draai aan de knop **TIJD/GEWICHT** om de minuten in te stellen.
5. Druk op de knop **KLOK/KOOKWEKKER** om de tijd te bevestigen.

## SNELLE BEREIDING

Met deze functie programmeert u de oven eenvoudig zodat deze op 100% van het vermogen start. In de stand-bymodus drukt u herhaaldelijk op de toets **START/+30s** om de bereidingstijd in te stellen (telkens als u erop drukt, wordt die met 30 seconden verlengd, tot maximaal 10 minuten). De oven wordt automatisch opgestart.

## VOEDSEL BEREIDEN MET DE MAGNETRON

1. In de stand-bymodus drukt u herhaaldelijk op de **MAGNETRON**-toets om het vermogensniveau te selecteren.
2. Draai aan de knop **TIJD/GEWICHT** om de bereidingstijd in te stellen. De maximale tijd is 95 minuten.
3. Druk op **START/+30s** om de instelling te bevestigen.

Drukt herhaaldelijk op de **MAGNETRON**-toets om het vermogensniveau te selecteren.

Druk op de MAGNETRON-toets	Vermogen (display)	Druk op de MAGNETRON-toets	Vermogen (display)
Eenmaal	100% (P100)	7 maal	40% (P-40)
Tweemaal	90% (P-90)	8 maal	30% (P-30)
3 maal	80% (P-80)	9 maal	20% (P-20)
4 maal	70% (P-70)	10 maal	10% (P-10)
5 maal	60% (P-60)	11 maal	0% (P-00)
6 maal	50% (P-50)		

**OPMERKING:** Tijdens het bereiden kunt u met een druk op de **MAGNETRON**-toets het vermogen controleren.

## GRILL

Grillen is vooral handig voor dunne plakken vlees, steaks, koteletten, kebab, worstjes en stukken kip. Het is ook geschikt voor gegrilde sandwiches en gratins.

1. In de stand-bymodus drukt u eenmaal op de **GRILL**-toets.

2. Draai aan de knop **TIJD/GEWICHT** om de bereidingstijd in te stellen. De maximale tijd is 95 minuten.
3. Druk op de toets **START/+30s** om te starten.

## MAGNETRON+GRILL

**Combinatie 1:** 30% tijd voor de magnetron en 70% tijd voor de grill. Te gebruiken voor vis en gratins.

**Combinatie 2:** 55% tijd voor de magnetron, 45% tijd voor de grill. Te gebruiken voor pudding, omeletten en gevogelte.

1. In de stand-bymodus drukt u een- of tweemaal op de toets **MAGNETRON+GRILL** om "Co-1" of "Co-2" te selecteren.

2. Draai aan de knop **TIJD/GEWICHT** om de bereidingstijd in te stellen. De maximale tijd is 95 minuten.

3. Druk op de toets **START/+30s** om te starten.

**OPMERKING:** Tijdens het bereiden kunt u met een druk op de toets **MAGNETRON+GRILL** de combinatiemodus controleren.

## CONVECTIE

Tijdens het convectiekoken wordt warme lucht door de ovenruimte gecirculeerd om snel en gelijkmatig een bruin en krokant resultaat te krijgen. Op deze oven kunnen dertien verschillende bereidingstemperaturen worden geprogrammeerd (230°C, 220°C, 210°C, 200°C, 190°C, 180°C, 170°C, 160°C, 150°C, 140°C, 130°C, 120°C, 110°C).

**Om voedsel voor te verwarmen en te bereiden met de convectiefunctie volgt u de onderstaande instructies:**

Uw oven kan worden geprogrammeerd zodat de functies voorverwarming en convectie worden gecombineerd.

1. In de stand-bymodus drukt u herhaaldelijk op de **CONVECTIE**-toets om de convectietemperatuur te selecteren.
2. Druk op de toets **START/+30s** om te starten. Wanneer de ingestelde temperatuur is bereikt, begint het toestel te piepen.
3. Open de deur en plaats een verpakking met voedsel in het midden van het bodemvlak.
4. Draai aan de knop **TIJD/GEWICHT** om de bereidingstijd in te stellen. De maximale tijd is 95 minuten.
5. Druk op de toets **START/+30s** om te starten.

**OPMERKING:** Wanneer de temperatuur voor voorverwarming met convectie bereikt is, piept de oven om de twee seconden. De voorverwarmtemperatuur wordt 30 minuten aangehouden.

## MAGNETRON+CONVECTIE

Met de modus Magnetron+Convectie bereidt u eten eenvoudiger en sneller.

Voor deze functie zijn er vier voorgeprogrammeerde instellingen, die hieronder worden beschreven:

230°C: deze temperatuur is geschikt voor vlees dat dik en moeilijk op te warmen is, zoals een hele kip of kippenpoten of -vleugels.

200°C: kan worden gebruikt voor vlees dat dunner en sneller op te warmen is, zoals vis of steak.

170°C en 140°C: deze modi zijn geschikt voor gesneden vlees en halffabricaten, bijvoorbeeld bacon en worstjes.

1. In de stand-bymodus drukt u herhaaldelijk op de toets **MAGNETRON+CONVECTIE** om de convectietemperatuur te selecteren (230°C, 200°C, 170°C, 140°C).
2. Draai aan de knop **TIJD/GEWICHT** om de bereidingstijd in te stellen. De maximale tijd is 95 minuten.
3. Druk op de toets **START/+30s** om te starten.

**OPMERKING:** Tijdens het bereiden kunt u met een druk op de toets **MAGNETRON+CONVECTIE** de convectietemperatuur controleren.

## ONTDOOIEN OP GEWICHT

1. In de stand-bymodus drukt u eenmaal op de toets **ONTDOOIEN OP GEWICHT/TIJD**.
2. Draai aan de knop **TIJD/GEWICHT** om het voedselgewicht in te stellen. Het instelbare gewicht varieert van 100 g tot 2000 g.
3. Druk op de toets **START/+30s** om dit te bevestigen.

**OPMERKING:** Tijdens het ontdooiproces pauzeert en piept het systeem om u eraan te herinneren dat het eten gedraaid moet worden. Daarna drukt u op de toets **START/+30s** om het proces te hervatten.

#### Tabel voor ontdooien op gewicht

<b>Gewicht [kg]</b>	0,1	0,2	0,3	0,4	0,5	0,6	0,7	0,8	0,9	1,0	1,1	1,2	1,3	1,4	1,5	1,6	1,7	1,8	1,9	2,0
<b>Tijd [min]</b>	3	5	7	9	11	13	15	17	19	21	23	25	27	29	31	33	35	37	39	41

## TIJD-ONTDOOIE

1. In de stand-bymodus drukt u tweemaal op de toets **ONTDOOIE OP GEWICHT/TIJD**.
2. Draai aan de knop **TIJD/GEWICHT** om de ontdooitijd in te stellen. De maximale tijd is 95 minuten.
3. Druk op de toets **START/+30s** om het programma te bevestigen.

**OPMERKING:** Wanneer u de functie voor ontdooien op tijd gebruikt, ontdooit de magnetron het eten op 40% van het maximale vermogen en vervolgens op 30%. Dan stopt hij zodat de deur kan worden geopend en het eten kan worden gekeerd. Wanneer op de toets **START/+30s** wordt gedrukt, wordt het opwarmen hervat en gebeurt dat op 20% van het maximale vermogen.

## KOOKWEKKER

1. Druk één keer op de toets **KLOK/KOOKWEKKER**.
2. Draai aan de knop **TIJD/GEWICHT** om de gewenste tijd in te stellen. De maximale tijd is 95 minuten.
3. Druk op de toets **START/+30s** om dit te bevestigen.

Om het **KOOKWEKKER**-programma te annuleren drukt u op de toets **STOP/ECO**, waarna de tijd wordt weergegeven op het display.

## FAVORIETE FUNCTIE

Deze functie omvat 3 favorieten, waarvoor telkens 1 kookprogramma kan worden ingesteld.

#### Opslaan:

1. Druk in de stand-bymodus een-, twee- of driemaal op de toets **FAVORIET**.
2. Voer het gewenste bereidingsprogramma in (inclusief koken in fasen).
3. Druk op de toets **START/+30s** om dit te bevestigen.

#### Starten:

1. Druk in de stand-bymodus een-, twee- of driemaal op de toets **FAVORIET** om een bereidingsprogramma te selecteren.
2. Druk op de toets **START/+30s** om te starten.

#### Wissen:

Druk in de stand-bymodus een-, twee- of driemaal op de toets **FAVORIET**.

Houd de toets **FAVORIET** 3 seconden ingedrukt; op het display wordt gedurende 5 seconden "**CLr**" weergegeven en de oven keert terug naar de stand-bymodus.

#### OPMERKING:

- Alleen de functies magnetron, grill, convectie, magnetron+grill, en magnetron + convectie kunnen worden opgeslagen.
- Geprogrammeerde favorieten blijven in het geheugen bewaard, zelfs wanneer de stekker uit het stopcontact wordt getrokken.
- Er kunnen slechts 3 favoriete programma's worden opgeslagen. Als u een nieuw programma wilt opslaan, dan moet u er een verwijderen.
- Als de inhoud van de favorieten leeg is, knippert de code voor de favorieten. Als de favorieten inhoud bevatten, wordt de code voor de favorieten altijd weergegeven.



## ENERGIESPAARSTAND

**Instellen:** Houd in de stand-by-modus de **STOP/ECO**-toets 3 seconden ingedrukt en het display wordt uitgeschakeld. De oven schakelt de energiespaarstand in.

**Annuleren:** Wanneer de energiespaarstand is ingeschakeld, kan die worden geannuleerd door op om het even welke toets te drukken of de ovendeur eenmaal te openen en te sluiten.

## GEDEMPTE MODUS

Om de gedempte modus in te schakelen, drukt u eenmaal op de toets **DEMPEN**; vervolgens wordt op het display gedurende 3 seconden "**OFF**" weergegeven. In de gedempte modus klinkt er geen geluid wanneer op de toetsen wordt gedrukt.

Om de gedempte modus uit te schakelen drukt u eenmaal op de toets **DEMPEN**; vervolgens wordt gedurende 3 seconden "**On**" weergegeven op het display.

## KINDERSLOT

1. Om het KINDERSLOT in te stellen, houdt u 3 seconden lang de toets **DEMPEN** ingedrukt; een lange pieptoon klinkt en op het display wordt "**LOC**" weergegeven. Op de oven is nu het KINDERSLOT ingeschakeld. In deze modus wordt de klok weergegeven op het display en wordt gedurende tien seconden "**LOC**" weergegeven als er op een toets wordt gedrukt.
2. Houd de toets **DEMPEN** 3 seconden ingedrukt tot een lange pieptoon klinkt om het KINDERSLOT te annuleren.

## VEILIGHEIDSVERGRENDELINGSSYSTEEM

Gebruiken om ongebeleid gebruik door kleine kinderen te voorkomen.

**Instellen:** Als er in de stand-by-modus één minuut lang niets bediend wordt, schakelt de oven automatisch de veiligheidsvergrendeling in en gaat het indicatielampje voor de vergrendeling branden. Terwijl de oven vergrendeld is, zijn alle toetsen vergrendeld. Als u op om het even welke toets drukt, wordt de vergrendelingsindicatie 5 seconden lang op het display weergegeven om de gebruiker eraan te herinneren dat de veiligheidsvergrendeling moet worden uitgeschakeld.

Om de veiligheidsvergrendeling uit te schakelen, opent u gewoon de deur van de magnetron. Het toetsenblok wordt opnieuw geactiveerd en het indicatielampje voor de vergrendeling dooft.

## AUTOMATISCH BESCHERMINGSMECHANISME

**OVERVERHITTINGSBEVEILIGING:** Wanneer de oven een hoge temperatuur detecteert, wordt op het display "**E01**" weergegeven en stopt de oven met werken. Dit kan worden geannuleerd door te drukken op de **STOP/ECO**-toets.

**BEVEILIGING TEGEN LAGE TEMPERATUREN:** Wanneer de oven de modus voor beveiliging tegen lage temperaturen inschakelt, wordt op het display "**E02**" weergegeven en stopt de oven met werken. Dit kan worden geannuleerd door te drukken op de **STOP/ECO**-toets.

**BEVEILIGING TEGEN SENSORSTORING:** Wanneer de oven een probleem met een van de sensoren detecteert, wordt "**E03**" of "**E04**" weergegeven op het display en stopt de oven met werken. Er klinkt ook een waarschuwingssignaal. Dit kan worden geannuleerd door te drukken op de toets **STOP/ECO**.

## AUTOMATISCH KOKEN

In de volgende bereidingsstand hoeft u geen bereidingstijd of vermogen te programmeren voor het voedsel. U dient enkel het soort voedsel aan te wilt bereiden en het gewicht of het aantal porties ervan aan te geven.

1. In de stand-by-modus drukt u herhaaldelijk op de **AUTO MENU**-toets om de menucode te selecteren.

2. Draai aan de knop **TIJD/GEWICHT** om het voedselgewicht of het aantal porties in te stellen.
3. Druk op de toets **START/+30s** om te starten.

#### Automatisch koken menu's:

Code	Voedsel	Notitie
A-01	Drank (200 ml/kopje, 1 - 3 kopjes)	<ol style="list-style-type: none"> <li>1. Voor items "A07" ~ "A09", "A-13" pauzeert de oven het bereidingsproces en klinkt er een geluidssignaal om de gebruiker eraan te herinneren het voedsel te keren en dan op de toets <b>START/+30s</b> te drukken om de bereiding te hervatten.</li> <li>2. Wanneer u de functie voor automatische bereiding gebruikt, is het mogelijk dat het voedsel niet wordt bereid zoals verwacht. Daar zijn verschillende redenen voor, zoals persoonlijke voorkeur, de grootte/vorm van het voedsel, de omgevingstemperatuur, spanningsvariaties op het netstroomcircuit, de plaatsing van het voedsel op de bodem van de oven enz. Als het voedsel niet naar wens is bereid, pas dan de bereidingstijd aan om dit te corrigeren.</li> </ol>
A-02	Gepofte aardappels (230 ±10 g/portie, 1 - 2 porties)	
A-03	Groenten (200 - 600 g)	
A-04	Automatisch opwarmen (200 - 800 g)	
A-05	Soep (300 ml/kom, 1 - 3 kommen)	
A-06	Rijst (150 - 600 g)	
A-07	Gebraden rund/lamsvlees (200 - 600 g)	
A-08	Gegrilde vistukjes (200 - 600 g)	
A-09	Gegrilde bacon (100 g, 200 g, 300 g)	
A-10	Ovenfriet (200 g)	
A-11	Pizza (150 g, 300 g, 450 g)	
A-12	Cake (475 g)	
A-13	Gebraden kip (800 - 1400 g)	

## REINIGING EN ZORG

1. Schakel de oven uit en trek de stekker uit het stopcontact wanneer u hem gaat reinigen.
2. Houd de binnenkant van de oven schoon. Wanneer opgespat voedsel of gemorste vloeistoffen aan de wanden van de oven blijven plakken, veegt u die af met een vochtige doek. Als de oven erg vuil wordt, kunnen milde schoonmaakmiddelen worden gebruikt. Gebruik geen spray of andere agressieve reinigingsmiddelen. Die kunnen vlekken, strepen of een doffe aanslag achterlaten op het oppervlak van de deur.
3. De buitenkant van de oven dient te worden gereinigd met een vochtige doek. Om schade aan de werkende delen binnen in de oven te voorkomen mag er geen water in de ventilatieopeningen binnensijpelen.
4. Veeg de deur en het venster, de deurafdichtingen of aangrenzende delen regelmatig schoon met een vochtige doek om alle spatten of gemorst voedsel te verwijderen. Gebruik geen schuurmiddelen.
5. Niet met stoom reinigen.
6. Laat het bedieningspaneel niet nat worden. Veeg het schoon met een zachte, vochtige doek. Laat de deur open wanneer u het bedieningspaneel schoonmaakt om te vermijden dat u de oven per ongeluk inschakelt.
7. Als er zich stoom verzamelt aan de binnenkant of rond de buitenkant van de ovendeur, veeg die dan schoon met een vochtige doek. Dit is mogelijk wanneer de magnetron wordt gebruikt onder vochtige omstandigheden. Dit is geen defect.
8. De bodem van de oven moet regelmatig worden gereinigd om te vermijden dat hij vuil wordt of dat vonken/schade ontstaan. Veeg het bodemoppervlak van de oven gewoon schoon met een mild reinigingsmiddel.
9. Om geurtjes uit uw oven te verwijderen, doet u een kopje water en het sap en de schil van één citroen in een magnetronbestendige kom. Verhit die 5 minuten met de magnetronfunctie. Veeg de magnetron grondig schoon en droog hem af met een zachte doek.
10. Neem contact op met de klantendienst voor advies als de lamp defect raakt.
11. De oven dient regelmatig te worden gereinigd en eventuele voedselresten dienen te worden verwijderd. Indien de oven niet schoon wordt gehouden, kan dit leiden tot aantasting van het oppervlak. Dit kan dan weer leiden tot een verkorte levensduur van het apparaat en mogelijk tot gevaarlijke situaties.
12. Verwijder dit toestel niet met het gewone huisvuil; het dient te worden verwijderd bij het speciale inzamelcentrum dat door de gemeente is voorzien.
13. Wanneer de magnetron met grillfunctie voor het eerst wordt gebruikt, kan deze een kleine hoeveelheid rook en een lichte geur afgeven. Dit is normaal, omdat de oven gemaakt is van een staalplaat waarop een laag smeerolie is aangebracht. De nieuwe oven geeft rook en een geur af doordat de smeerolie wordt verbrand. Dit verschijnsel verdwijnt nadat u de oven een tijdlang heeft gebruikt.

## GESCHIKTE SCHALEN

Om te verwarmen/ontdooien met een combi-magnetron, moet de microgolfenergie door de schaal heen kunnen om het voedsel binnen te dringen. Daarom is het belangrijk om te kiezen voor geschikt kookgerei.

Rond/ovaal servies heeft de voorkeur boven vierkant/langwerpig servies, omdat het voedsel in de hoeken de neiging heeft over te koken. Een verscheidenheid aan kookgerei kan worden gebruikt zoals hieronder omschreven.

Kookgerei	Magnetron- bestendig	Grill/ Convectie	Opmerking
Aluminiumfolie Aluminium verpakkingen	✓ / ✗	✓	Kleine stukken aluminiumfolie kunnen worden gebruikt om voedsel tegen oververhitting te beschermen. Houd de folie tenminste 2 cm van de ovenwanden, omdat het anders kan gaan vonken. Verpakkingen, bakjes en schalen van aluminium worden niet aanbevolen tenzij anders aangegeven door de fabrikant, bijv. Microfoil®; volg de instructies zorgvuldig op.
Bruiningsschalen	✓ / ✗	✗	Volg altijd de instructies van de fabrikant op. Overschrijd de opgegeven verwarmingstijden niet. Wees zeer voorzichtig omdat deze schalen heel heet worden.
Porselein en keramiek	✓ / ✗	✗	Porselein, aardewerk en beenderporselein zijn normaal gesproken geschikt, behalve als deze metalen decoratie hebben.
Glasservies bijv. Pyrex®	✓	✓	Ga zorgvuldig om met fijn glaswerk omdat dit kan breken of barsten bij plotselinge temperatuurverschillen.
Metaal	✗	✓	Metalen kookgerei wordt niet aanbevolen omdat dit gaat vonken, wat tot brand kan leiden.
Plastic/polystyreen bijv. fastfood-bakjes	✓	✗	Ga hier zorgvuldig mee om omdat sommige bakjes vervormen, smelten of verkleuren bij hoge temperaturen.
Vershoudfolie	✓	✗	Het mag het voedsel niet raken en moet doorgeprikt zijn om de stoom te laten ontsnappen.
Diepvries/braadzakken	✓	✗	Moeten zijn doorgeprikt om de stoom te laten ontsnappen. Controleer of de zakken geschikt zijn voor gebruik in de magnetron.
Papieren borden, bekers en keukenrolpapier	✓	✗	Gebruik geen plastic of metalen bevestigingen, omdat deze kunnen smelten of vlam kunnen vatten door de vonken van het metaal.
Bakjes van riet of hout	✓	✗	Gebruik deze alleen voor opwarmen of om vocht te absorberen. Voorzichtigheid is geboden omdat door oververhitting brand kan ontstaan.
Gerecycled papier en krantenpapier	✗	✓	Blijf altijd bij de oven wanneer deze materialen worden gebruikt omdat oververhitting brand kan veroorzaken. Kan stukjes metaal bevatten die vonken veroorzaken en kunnen leiden tot brand.



**WAARSCHUWING:** Bij het verwarmen van eten in plastic of papieren bakjes dient u in de gaten te houden dat de bakjes geen vlam vatten.

**OPMERKING:** Laat uw oven niet onbewaakt achter terwijl deze in werking is.

# TIPS VOOR KOKEN MET DE MAGNETRON

Met een magnetron bereidt u etenswaren sneller dan door deze op de conventionele manier te koken. Het is daarom van essentieel belang dat bepaalde technieken worden gevolgd om goede resultaten te garanderen. Veel van de volgende technieken zijn vergelijkbaar met de technieken die in de conventionele keuken worden gebruikt.



**WAARSCHUWING: Vloeistoffen en etenswaren mogen niet worden opgewarmd in gesloten bakjes of potjes/bakjes met een deksel. Binnen in het bakje/potje stijgt de druk, waardoor het bakje/potje kan exploderen.**

## KOOKADVIEZEN:

- Blijf altijd bij de oven als deze in gebruik is.
- Zorg ervoor dat het keukengerie geschikt is voor gebruik in een magnetronoven.
- Aanbevolen bereidingstijden en vermogensniveaus vindt u in de tabellen in het 'kookboek' bij deze handleiding.
- Plaats geen warme etenswaren/warm keukengerie op een koud bodemvlak en ook geen koude etenswaren/koud keukengerie op een heet bodemvlak.
- Gebruik alleen magnetronpopcorn in de aanbevolen verpakking (volg de instructies van de fabrikant op). Gebruik nooit olie, tenzij dit is aangegeven door de fabrikant, en bereid de popcorn nooit langer dan in de instructies vermeld staat.



**WAARSCHUWING: Volg altijd de instructies in de SHARP-bedieningshandleiding op. Als u de aanbevolen kooktijden overschrijdt en te hoge vermogensniveaus gebruikt, kan het voedsel te warm worden of aanbranden. In extreme gevallen kan het voedsel in brand vliegen en de oven beschadigen.**

## Verdeling

Plaats de dikste etenswaren aan de buitenkant van de schaal, bijv. kippenboutjes.

Etenswaren die aan de buitenkant van de schaal geplaatst worden, krijgen meer energie en zijn dus sneller gaar dan de etenswaren in het midden.

## Afdekken

Bepaalde etenswaren kunnen beter afgedekt worden tijdens de bereiding in de magnetron.

Gebruik vershoud- of magnetronfolie of een geschikt deksel met (een) ventilatieopening(en).

## Gaatjes prikken

In etenswaren met een schaal, huid of membraan moeten voor het koken of opwarmen op meerdere plaatsen gaatjes worden geprikt, omdat de stoom zich anders ophoopt. Dit kan ertoe leiden dat de etenswaren exploderen, bijv. aardappelen, vis, kip, worstjes.

**OPMERKING:** Eieren mogen niet worden opgewarmd in de magnetron. Ze kunnen ontploffen, zelfs nadat de bereiding voltooid is, dus ook al zijn ze bijvoorbeeld gepocheerd, gebakken of hardgekookt.

## Roeren, omdraaien en opnieuw verdelen

Voor een gelijkmatige bereiding is het essentieel om tijdens het koken de etenswaren om te roeren, deze om te draaien en om deze opnieuw te verdelen. Werk altijd vanuit de buitenkant naar het midden toe bij het roeren en opnieuw verdelen.

## Wachten

Wachtijd na bereiding is belangrijk, omdat het ervoor zorgt dat de warmte gelijkmatig door het voedsel wordt verspreid.

<b>Kenmerken van etenswaren</b>	
<b>Compositie</b>	Voedingsmiddelen met een hoog vet- of suikergehalte (bijv. kerstpudding, gehaktbroodjes) hebben minder opwarmtijd nodig. Wees voorzichtig, want oververhitting kan tot brand leiden. Botten in etenswaren geleiden warmte, waardoor het voedsel sneller gaar wordt. Let erop dat het voedsel gelijkmatig wordt gekookt.
<b>Dichtheid</b>	De dichtheid van etenswaren is van invloed op de benodigde kooktijd. Lichte, poreuze etenswaren, zoals gebak of brood, kookt sneller dan zware, dichte etenswaren, zoals gebraad en ovenschotels.
<b>Hoeveelheid</b>	Het aantal microgolven in uw oven blijft gelijk, ongeacht de hoeveelheid etenswaren die gekookt wordt. De kooktijd moet worden verlengd naarmate de hoeveelheid etenswaren in de oven toeneemt. Het duurt bijvoorbeeld langer om vier aardappelen te koken dan twee.
<b>Grootte</b>	Kleine etenswaren en kleine stukjes koken sneller dan grote, omdat de microgolven van alle kanten tot in het midden kunnen doordringen. Zorg er voor een gelijkmatige bereiding voor dat alle stukken van dezelfde grootte zijn.
<b>Vorm</b>	Bij etenswaren met een onregelmatige vorm, zoals kipfilet of kippenboutjes, duurt het langer voordat de dikkere delen gaar zijn. Leg de dikste delen aan de buitenkant van de schaal, waar deze meer energie krijgen. Ronde vormen koken gelijkmatiger dan vierkante vormen bij bereiding in de magnetron.
<b>Temperatuur van etenswaren</b>	De begintemperatuur van etenswaren beïnvloedt de benodigde kooktijd. Het koken van gekoelde etenswaren duurt langer dan etenswaren op kamertemperatuur. De temperatuur van de verpakking is geen echte indicatie van de temperatuur van de etenswaren of de drank. Snij in etenswaren met vullingen, bijvoorbeeld donuts met jam, om warmte of stoom te laten ontsnappen.



**WAARSCHUWING: Gezicht & handen: draag altijd ovenhandschoenen om etenswaren of keukengerei uit de oven te pakken. Doe een stap achteruit als u de oven opent om warmte of stoom te laten ontsnappen. Bij het verwijderen van afdekkingen (zoals vershoudfolie), het openen van braadzakken of popcornverpakkingen, dient u ervoor te zorgen dat de stoom niet in de richting van het gezicht of de handen ontsnapt.**



**WAARSCHUWING: Controleer de temperatuur van etenswaren en drankjes en roer voor het serveren. Wees bijzonder voorzichtig bij etenswaren of drankjes voor baby's, kinderen of ouderen. De inhoud van zuigflessen en potjes met babyvoeding moet geroerd of geschud worden. Controleer de temperatuur voor consumptie om te voorkomen dat er brandwonden ontstaan.**

## TIPS VOOR ONTDOOIING

Het ontdooien van etenswaren met behulp van uw magnetron is de snelste methode. Het is een eenvoudig bereidingsproces, maar de volgende instructies zijn essentieel om ervoor te zorgen dat de etenswaren grondig ontdooit worden.

- Verwijder alle verpakkingen voor het ontdooien.
- Gebruik de magnetronvermogensniveaus 30P of 10P om etenswaren te ontdooien.
- Meer informatie vindt u hieronder.

### Verdelen

Etenswaren die aan de buitenkant van de schaal geplaatst worden, zullen sneller ontdooien dan de etenswaren in het

midden. Het is daarom van essentieel belang dat de etenswaren tijdens het ontdooien tot 4 keer opnieuw verdeeld worden.

Verplaats dicht opeengepakte stukken van buiten naar het midden en verdeel de stukken die elkaar overlappen opnieuw.

Dit zorgt ervoor dat alle stukken gelijkmatig ontdooien.

### **Scheiden**

Etenswaren kunnen aan elkaar kleven als u deze uit de vriezer haalt. Het is belangrijk om de etenswaren tijdens het ontdooien zo snel mogelijk te scheiden.

bijv. spekreepjes, kipfilets.

### **Afschermen**

Sommige stukken van ontdooide etenswaren kunnen warm worden. Om te voorkomen dat deze warmer worden en beginnen te koken, kunt u deze stukjes afschermen met kleine stukjes folie, die de microgolven reflecteren. Bijv. de poten en vleugels van kip.

### **Wachten**

De wachttijd is nodig om ervoor te zorgen dat de etenswaren grondig ontdooien.

Het ontdooiproces is niet voltooid als de etenswaren eenmaal uit de magnetron zijn gehaald. De etenswaren moeten gedurende een bepaalde tijd afgedekt blijven staan om ervoor te zorgen dat ook de kern volledig ontdooit is.

### **Omdraaien**

Het is cruciaal dat alle etenswaren tijdens het ontdooien minstens 3 tot 4 keer omgedraaid worden.

Dit is belangrijk voor een grondige ontdooiing.

## TIPS VOOR OPWARMEN

Voor het opwarmen van etenswaren volgt u de onderstaande adviezen en richtlijnen. Zo zorgt u ervoor dat de etenswaren grondig opgewarmd worden alvorens u deze opdiend.

### **Maaltijden op een bord**

Haal eventuele porties gevogelte of vlees van het bord af. Warm deze afzonderlijk op, zie hieronder.

Plaats kleinere stukken etenswaren in het midden van het bord, grotere en dikkere etenswaren aan de rand. Bedek het bord met magnetronfolie en warm het gerecht op het vermogen 50P op. Roer halverwege de opwarmfase en verdeel de etenswaren opnieuw.

**OPMERKING:** zorg ervoor dat de etenswaren grondig opgewarmd worden alvorens u deze opdiend.

### **Gesneden vlees**

Bedek dit met vershoud- of magnetronfolie en warm het vlees op het vermogen 50P op. Verdeel de stukken vlees minstens één keer opnieuw om te zorgen voor een gelijkmatige opwarming.

**OPMERKING:** zorg ervoor dat het vlees grondig opgewarmd wordt alvorens u dit opdiend.

### **Porties gevogelte**

Leg de dikste stukken van de porties aan de buitenkant van het bord. Bedek het bord met vershoud- of magnetronfolie en warm het gevogelte op het vermogen 70P op.

Draai de stukken halverwege het opwarmen om.

**OPMERKING:** zorg ervoor dat het gevogelte grondig opgewarmd wordt alvorens u dit opdiend.

### **Ovenschotels**

Bedek deze met vershoud- of magnetronfolie of een geschikt deksel en warm het gerecht op het vermogen 50P op. Roer regelmatig om te zorgen voor een gelijkmatige opwarming.

**OPMERKING:** zorg ervoor dat de etenswaren grondig opgewarmd worden alvorens u deze opdiend.

Om de beste resultaten te verkrijgen bij het opwarmen, selecteert u een magnetronvermogen dat geschikt is voor de betreffende etenswaren. Een schaal met groenten kan bijvoorbeeld worden opgewarmd op 100P, terwijl een lasagne met ingrediënten die niet kunnen worden geroerd, opgewarmd dient te worden op 50P.

### **OPMERKINGEN:**

- Verwijder de etenswaren uit de folie of metalen bakjes alvorens u deze opwarmt.
- Opwarmtijden zijn afhankelijk van de vorm, diepte, hoeveelheid en temperatuur van de etenswaren, evenals van de grootte, vorm en het materiaal van het bakje.



**WAARSCHUWING:** Verhit nooit vloeistoffen in flessen met een dunne hals, omdat de vloeistof plotseling uit de fles zou kunnen spuiten en brandwonden kan veroorzaken.

- Om oververhitting en brand te voorkomen dient u goed op te letten wanneer u voedsel met een hoog suiker- of vetgehalte, zoals gehaktbroodjes of kerstpudding opwarmt.
- Verwarm nooit olie of vet dat bedoeld is om te frituren. Dit kan leiden tot oververhitting en brand.
- Aardappelen in blik mogen niet opgewarmd worden in de magnetron. Volg de instructies van de fabrikant op het blikje.



**WAARSCHUWING: De inhoud van babyflesjes roeren of schudden en de temperatuur voor consumptie controleren om verbranding te voorkomen.**

## PROBLEEMOPLOSSING

Indien u het idee heeft dat de oven niet goed werkt zijn er een aantal eenvoudige controles die u kunt uitvoeren voordat u de hulp van een technicus inroept. Hiermee wordt voorkomen dat u onnodig een technicus laat komen voor een defect dat eenvoudig is op te lossen.

Deze eenvoudige controle wordt hieronder uiteengezet:

Zet een half kopje water op het bodemvlak en sluit de deur. Programmeer de oven om 1 minuut te koken op het magnetronvermogen 100P.

1. Gaat de ovenlamp aan tijdens het koken?
2. Werkt de ventilator? (U kunt hiervoor uw hand boven de luchtventilatoropeningen plaatsen.)
3. Hoort u na 1 minuut het belsemaal?
4. Is het water in de kop heet geworden?  
Neem het kopje water uit de oven en sluit de deur. Programmeer de oven om 3 minuten te grillen.
5. Wordt het verwarmingselement van de grill na 3 minuten rood?  
Als uw antwoord "NEE" is op iedere vraag, controleer dan eerst de oven op de juiste manier is aangesloten en of er geen zekering is gesprongen. Als dit niet het geval is kunt u de onderstaande probleemoplossingstabel raadplegen.



**WAARSCHUWING: Repareer, wijzig of pas de oven nooit zelf aan. Dit is gevaarlijk en het onderhoud en reparaties dienen te worden uitgevoerd door een hiervoor opgeleide onderhoudsmonteur van SHARP. Dit is belangrijk omdat hierbij wellicht een afdekking van de magnetron dient te worden geopend die bescherming biedt tegen microgolven.**

- De deurafdichting houdt lekkage van microgolven tijdens de ovenfunctie tegen, maar zorgt niet voor een luchtdichte afsluiting. Het is normaal dat er rond de oven deur druppels water of licht te zien is of dat u hier warme lucht voelt. Voedsel dat veel vocht bevat, veroorzaakt stoom en condensatie aan de binnenkant, die aan de buitenkant te zien kan zijn.
- Reparaties en aanpassingen: voer geen reparaties of aanpassingen aan de oven uit als deze niet naar behoren functioneert.
- Behuizing en lamp: maak de behuizing nooit open. Dit is erg gevaarlijk omdat de onderdelen binnenin onder hoge spanning staan en dus nooit mogen worden aangeraakt. Dit is immers levensgevaarlijk.  
De oven is niet voorzien van een toegankelijk deksel op de lamp. Als de lamp kapot is, dient u deze niet zelf te vervangen maar neem hiervoor contact op met een door SHARP erkende servicedienst.

## PROBLEEMOPLOSSINGSTABEL

VRAAG	ANTWOORD
Ik voel een luchtstroom bij de deur.	Wanneer de oven werkt, circuleert er lucht in de ovenruimte. De deur vormt geen luchtdichte afsluiting dus er kan lucht via de deurkieren ontsnappen.
Er wordt condensatie in de oven gevormd, die op de deur te zien kan zijn.	De ovenruimte is normaal gesproken kouder dan de etenswaren die worden bereid. De stoom die tijdens het koken wordt geproduceerd condenseert op het koudere oppervlak. De hoeveelheid stoom hangt af van de hoeveelheid water dat de etenswaren bevatten. Sommige etenswaren, zoals aardappelen, bevatten ontzettend veel vocht. Condensatie in de glazen deur zou na een paar uur verdwenen moeten zijn.
Flitsen of vonken in de ovenruimte tijdens het koken.	Vonken ontstaan als er een metalen voorwerp in de buurt komt van de ovenruimte tijdens de bereiding. Dit kan mogelijk het oppervlak van de ovenruimte aantasten, maar zal de oven niet beschadigen.
Vonken bij het bereiden van aardappels.	Controleer of alle "ogen" van de aardappelen zijn verwijderd en dat u ze heeft ingeprikt. Plaats ze direct op het bodemvlak of in een hittebestendige schaal of iets soortgelijks.
Het display is verlicht maar het bedieningspaneel reageert niet.	Controleer of de deur goed is gesloten.
Oven werkt te langzaam.	Zorg ervoor dat het juiste vermogen is geselecteerd.
Oven maakt geluid.	De magnetronenergie gaat aan en uit tijdens het koken/ontdooien.
Buitenkast is heet.	De kast kan handwarm worden - houd kinderen uit de buurt.

## RADIOSTORING

Het gebruik van de magnetron kan storing op uw radio, televisie of soortgelijke apparatuur veroorzaken. Eventuele storing kan worden verminderd of vermeden door de volgende maatregelen te treffen:

1. Reinig de deur en de afdichtingsvlakken van de oven.
2. Pas de richting van de ontvangstantenne van uw radio of televisie aan.
3. Zet de magnetron op een andere plaats ten opzichte van de ontvanger.
4. Zet de magnetron op een grotere afstand van de ontvanger.
5. Steek de stekker van de magnetron in een ander stopcontact zodat hij op een ander stroomcircuit aangesloten is dan de ontvanger.

## VOORDAT U HULP INROEPT

Controleer voordat u de hulp van de klantendienst inroept elk van de volgende zaken:

- Controleer of de stekker van de oven correct in het stopcontact zit. Zo niet, dan trekt u de stekker uit het stopcontact, wacht u 10 seconden en steekt u hem er opnieuw en correct in.
- Controleer of er geen zekering gesprongen is of stroomonderbreker geactiveerd is. Als deze zaken correct lijken te werken, test u het stopcontact met een ander apparaat.
- Controleer of het bedieningspaneel correct is geprogrammeerd en de kookwekker is ingesteld.
- Controleer of de deur goed dicht is en het vergrendelingsstelsel van de deur daarbij functioneert. Als de deur niet goed dicht is, werkt de magnetron niet.

ALS GEEN VAN DE BOVENSTAANDE CONTROLES HET PROBLEEM VERHELPT, NEEM DAN CONTACT OP MET DE HULPLIJN VAN SHARP. PROBEER DE OVEN NIET ZELF TE REPAREREN.





**Attenzione:**

Il vostro prodotto è contrassegnato con questo simbolo. Significa che prodotti elettrici ed elettronici usati non devono essere messi insieme ai rifiuti normali. C'è un sistema di raccolta separato per questi prodotti.

## A. Informazioni sullo smaltimento per gli utilizzatori (uso privato)

### 1. Nell'Unione Europea

Attenzione: se si vuole disfarsi di questo apparecchio, non utilizzare la normale raccolta di rifiuti!

Apparecchi elettrici ed elettronici usati devono essere smaltiti separatamente e secondo la regolamentazione che richiede un trattamento specifico, il recupero e il riciclaggio di apparecchiature elettriche ed elettroniche.

Secondo le disposizioni degli stati membri, i privati possono restituire all'interno dell'UE i propri apparecchi elettrici ed elettronici usati per raccolte specifiche e senza costi\*.

In alcuni paesi\* il rivenditore locale può anche ritirare il vostro vecchio prodotto gratuitamente se ne comprate uno simile nuovo.

\*) Contattare le autorità locali per ulteriori dettagli.

Se l'attrezzatura elettrica o elettronica è dotata di batterie o accumulatori, smaltirla separatamente in anticipo rispettando le normative locali.

Smaltendo correttamente questo prodotto, fate in modo che i rifiuti subiscano il trattamento, il recupero e il riciclo adeguati; questo previene potenziali effetti negativi sull'ambiente e sulla salute, che potrebbero essere causati da uno smaltimento inappropriato.

### 2. In altri paesi al di fuori dell'UE

Se si vuole eliminare questo prodotto, contattare le autorità locali e chiedere quali siano le modalità per un corretto smaltimento.

Per la Svizzera: apparecchiature elettriche o elettroniche usate possono essere restituite senza costi al fornitore, anche se non si acquista un nuovo prodotto. Ulteriori agevolazioni per la raccolta sono elencate nella

homepage di [www.swico.ch](http://www.swico.ch) o [www.sens.ch](http://www.sens.ch).

## B. Informazioni sul prodotto per utilizzatore business.

### 1. Nell'Unione Europea

Se questo prodotto è utilizzato per scopi professionali e si desidera eliminarlo:

Contattare il fornitore SHARP, che vi informerà riguardo alle modalità di ritiro del prodotto. Potrebbero esservi addebitati dei costi derivati dal ritiro e dallo smaltimento. Piccoli prodotti (e piccole quantità) potrebbero essere ritirati dagli enti locali di raccolta.

Per la Spagna: contattare il sistema di raccolta ufficiale o le autorità locali per il ritiro dei prodotti usati.

### 2. In altri paesi al di fuori dell'UE

Se si vuole eliminare questo prodotto, contattare le autorità locali e chiedere quali siano le modalità per un corretto smaltimento.

## PRECAUZIONI PER EVITARE UNA POSSIBILE ESPOSIZIONE A ENERGIA A MICROONDE

1. Non tentare di utilizzare questo forno con lo sportello aperto in quanto ciò potrebbe provocare un'esposizione dannosa a energia a microonde. È importante non forzare o manomettere le chiusure di sicurezza.
2. Non inserire nulla tra la superficie anteriore del forno e lo sportello né permettere a detriti o residui di accumularsi sulle superfici di sigillatura.
3. Non utilizzare il forno se è stato danneggiato. È molto importante che lo sportello del forno si chiuda adeguatamente e che non ci siano danni allo sportello, ai cardini, ai blocchi o ai sigilli dello sportello e alle superfici di sigillatura.
4. Non tentare di riparare il forno da sé.

## CONTENUTI

IMPORTANTI ISTRUZIONI DI SICUREZZA .....	3
INSTALLAZIONE .....	13
SPECIFICHE .....	15
FORNO E ACCESSORI .....	16
PANNELLO DI CONTROLLO .....	17
PRIMA DI USARE IL FORNO .....	18
IMPOSTARE L'OROLOGIO .....	18
COTTURA ESPRESSO .....	18
COTTURA A MICROONDE .....	18
GRILL .....	18
MICROONDE+GRILL .....	19
CONVEZIONE .....	19
MICROONDE+CONVEZIONE .....	19
SCONGELAMENTO A PESO .....	19
SCONGELAMENTO A TEMPO .....	20
TIMER DA CUCINA .....	20
FUNZIONE PREFERITI .....	20
FUNZIONE RISPARMIO ENERGETICO .....	20
FUNZIONE MUTO .....	21
BLOCCO BAMBINI .....	21
BLOCCO DI SICUREZZA .....	21
MECCANISMO DI PROTEZIONE AUTOMATICA .....	21
COTTURA AUTOMATICA .....	22
PULIZIA E MANUTENZIONE .....	22
UTENSILI ADATTI .....	23
RACCOMANDAZIONI PER CUCINA A MICROONDE .....	24
CONSIGLI PER SCONGELAMENTO .....	26
CONSIGLI PER RISCALDAMENTO .....	27
RISOLUZIONE DEI PROBLEMI .....	28
INTERFERENZE RADIO .....	29
PRIMA DI CHIAMARE L'ASSISTENZA .....	29

## IMPORTANTI ISTRUZIONI DI SICUREZZA

### **LEGGETE ATTENTAMENTE E CONSERVATELO PER FUTURE CONSULTAZIONI**

**Per scongiurare il pericolo d'incendio.**

**Il forno a microonde non deve rimanere incustodito durante il funzionamento. Livelli di potenza troppo alti o tempi di cottura troppo lunghi possono surriscaldare il cibo e causare un incendio.**

Questo forno è progettato per essere utilizzato solamente su un piano da lavoro. Non è progettato per essere incassato.

Non mettere il forno in un armadio.

La presa di corrente deve essere facilmente accessibile, in modo da poter staccare facilmente il cavo di alimentazione in caso d'emergenza.

La tensione di alimentazione del forno deve essere di 230-240 V, 50 Hz, con un fusibile del quadro di distribuzione di un minimo di 10 A, o un salvavita di un minimo di 10 A.

Questo apparecchio deve essere collegato ad un circuito elettrico dedicato.

Non mettere il forno in aree in cui viene generato del calore.

Per esempio vicino a un forno tradizionale.

Non installare il forno in un posto molto umido o dove si può formare della condensa.

Non lasciare o usare il forno all'aperto.

---

**Qualora il forno dovesse produrre fumo, spegnerlo o scollegare la spina dalla presa di corrente, mantenendo inoltre lo sportello chiuso in modo da soffocare le eventuali fiamme.**

**Utilizzare solamente contenitori e utensili adatti all'uso nel microonde.**

**Gli utensili dovrebbero essere controllati per assicurarsi che siano adatti all'utilizzo nei forni a microonde.**

**In caso di riscaldamento di alimenti inseriti in contenitori di plastica o di carta, a causa della possibilità della loro combustione mantenete il forno sotto osservazione.**

**Pulire il coperchio della guide delle onde e l'interno del forno.**

**Questi devono essere asciutti e senza tracce di grasso. Il grasso accumulato potrebbe surriscaldarsi o emettere fumo o prendere fuoco.**

Non mettere materiali infiammabili vicino al forno o alle aperture di ventilazione.

Non bloccare le aperture di ventilazione.

Togliere dal cibo e dal suo involucro i sigilli e fili di chiusura metallici. La formazione di archi elettrici sulle superfici metalliche può causare un incendio.

Non usare il forno a microonde per friggere o riscaldare l'olio di frittura. La temperatura in tal caso non può essere controllata e può prendere fuoco.

Per fare i pop corn, usate esclusivamente quelli prodotti per i microonde.

Non conservare cibo od oggetti all'interno del forno. Controllare le impostazioni dopo aver avviato il forno, per accertarsi che esso funzioni nel modo desiderato. Non lasciare il forno senza supervisione mentre è in funzione.

Per evitare surriscaldamento o incendio, prestare molta attenzione alla cottura o al riscaldamento di cibi che contengono molto zucchero o sostanze grasse, quali ad esempio salsicce, pasticci di carne o dolci.

Vedere i riferimenti corrispondenti in questo manuale di istruzioni.

### **Per evitare il rischio di lesioni.**

#### **AVVERTENZE:**

Non usare il forno se è danneggiato o non funziona normalmente. Controllare quanto segue prima di continuare ad usarlo:

- a) Assicurarsi che lo sportello si chiuda correttamente e che non sia fuori sesto o deformato.
- b) Controllare per assicurarsi che i cardini e i blocchi di sicurezza dello sportello non siano rotti o allentati.
- c) Assicurarsi che le guarnizioni e le superfici di tenuta dello sportello non siano danneggiate.
- d) Assicurarsi che l'interno del forno o lo sportello non siano ammaccati.
- e) Assicurarsi che il cavo di alimentazione e la sua spina non siano danneggiati.

Lo sportello o le relative guarnizioni si danneggiano, non usate il forno sino all'avvenuta riparazione da

---

parte di personale competente.

**Non adattare, riparare o modificare il forno da sé. Qualsiasi intervento di assistenza o riparazione dell'apparecchio che richieda la rimozione della copertura di protezione dall'esposizione diretta alle microonde deve essere effettuato esclusivamente da personale specializzato.**

Non mettere in funzione il forno con lo sportello aperto né alterare la serratura di sicurezza del forno in alcun modo. Non azionare il forno in caso sia presente un oggetto tra le guarnizioni dello sportello e le superfici isolanti.

**Non fare in modo che grasso o sporco si formino sulle guarnizioni e le parti adiacenti. Pulire regolarmente il forno e togliete i residui di cibo. Seguire le istruzioni per "Cura e pulizia". La mancata pulizia del forno potrebbe danneggiare la superficie e quindi influire sulla durata dell'elettrodomestico e creare situazioni pericolose.**

Chi porta uno PACEMAKER deve rivolgersi al medico o al fabbricante del pacemaker riguardo alle precauzioni da prendere per l'uso del forno a microonde.

**Per evitare il rischio di scosse elettriche.**

La copertura esterna del forno non deve assolutamente essere smontata.

Non inserire alcun oggetto nelle aperture di ventilazione del forno. In caso di ingresso di liquidi, spegnere immediatamente il forno, staccare il cavo

di alimentazione e chiamare un tecnico di assistenza SHARP autorizzato.

Non immergere il cavo di alimentazione o la sua spina nell'acqua o in altro liquido.

Non lasciare pendere il cavo di alimentazione dal bordo di un tavolo o piano di lavoro.

Tenere il cavo di alimentazione lontano da superfici riscaldate, compresa la parte posteriore del forno.

Tenere l'elettrodomestico e il suo cavo fuori dalla portata di bambini minore di 8 anni.

Non cercare di sostituire da soli la lampadina del forno, e non farla sostituire da chi non sia un tecnico SHARP autorizzato. Se la lampadina si fulmina, rivolgersi al rivenditore o a un concessionario SHARP autorizzato.

Se il cavo elettrico è rovinato, deve essere sostituito con un cavo speciale.

La sostituzione deve essere effettuata da un tecnico specializzato SHARP.

### **Per evitare esplosioni ed ebollizioni improvvise:**

**ATTENZIONE: per evitare esplosioni o bolliture improvvise, non riscaldare liquidi o altri cibi in contenitori sigillati, perché potrebbero esplodere. Il riscaldamento di bevande mediante microonde può produrre una loro ritardata ed improvvisa ebollizione e pertanto è necessario fare attenzione durante il maneggiamento del contenitore in cui si trovano.**

Non usare mai recipienti sigillati. Togliere i sigilli e coperchi prima dell'uso. I recipienti sigillati possono

---

esplodere a causa dell'aumento della pressione, anche dopo lo spegnimento del forno.

Fare attenzione a usare il forno a microonde con i liquidi. Usare recipienti con grandi aperture che permettano la fuoriuscita delle bolle d'aria.

**Non riscaldare mai liquidi in recipienti con collo stretto, come i biberon, perché potrebbe verificarsi una fuoriuscita del contenuto dal contenitore quando vengono riscaldati, con pericolo di bruciature.**

Per evitare improvvise eruzioni di liquido bollente con possibili bruciature:

1. Predisporre un periodo di tempo non eccessivamente lungo.
2. Mescolare bene il liquido prima di cuocere o riscaldare.
3. Durante il riscaldamento si consiglia di porre nel liquido un'asticciola di vetro, o qualcosa di simile (purché non di metallo).
4. Lasciar riposare il liquido nel forno per almeno 20 secondi al termine del tempo di cottura per evitare l'eruzione ritardata della bollitura.

**Non usare il forno a microonde per cuocere le uova con il guscio né per riscaldare le uova sode intere, perché potrebbero esplodere anche dopo la fase di riscaldamento. Per cucinare o riscaldare le uova che non sono state strapazzate, foratene il tuorlo e l'albume, altrimenti potrebbero esplodere. Sgusciate e affettate le uova assodate prima di**



**riscaldarle nel forno a microonde.**

Forare la buccia di cibi come patate, salsicce e frutta prima di cuocere, altrimenti possono esplodere.

**Per evitare il rischio di scottature.**

**ATTENZIONE: al fine di evitare scottature, prima del consumo si raccomanda di agitare bene il contenuto di biberon o di vasetti per l'alimentazione dei bambini, nonché di controllarne la temperatura.**

**Usare presine o guanti da cucina per togliere il cibo dal forno per evitare bruciature.**

Per evitare ustioni causate dal vapore o da improvvise eruzioni di bollitura, aprire sempre contenitori, recipienti per pop-corn, sacchetti da forno, ecc., tenendoli lontani dal viso e dalle mani.

Per evitare bruciature, controllare sempre la temperatura del cibo e mescolare prima di servire. Prestare particolare attenzione alla temperatura di cibo e bevande dati a bebè, bambini e anziani. Le parti accessibili potrebbero riscaldarsi durante l'utilizzo. I bambini piccoli devono essere tenuti lontani.

La temperatura del contenitore non è una veritiera indicazione della temperatura del cibo o della bevanda; controllare sempre la temperatura del cibo. Per evitare le scottature causate dalla fuoriuscita del vapore e del calore, allontanarsi dallo sportello del forno durante l'apertura.

Per far uscire il vapore ed evitare ustioni, praticare alcune incisioni sui cibi ripieni riscaldati.

---

Tenere i bambini lontano dallo sportello per impedire che si ustionino.

**Per evitare un uso improprio da parte di bambini.**

**ATTENZIONE! Permettere l'uso del forno a bambini dagli 8 anni in senza supervisione solo se sono state fornite istruzioni adeguate in modo che il bambino sia in grado di utilizzare l'apparecchio in completa sicurezza e comprende i rischi derivanti da un uso improprio. Quando l'apparecchio è in funzione GRILL, MIX GRILL e AUTO MENU, i bambini dovrebbero usare il forno soltanto sotto la supervisione di un adulto a causa delle temperature generate.**

**Questo apparecchio non è inteso per l'utilizzo da parte di persone (compresi bambini) che abbiano ridotte capacità fisiche, sensoriali o mentali, mancanza di esperienza e conoscenze, a meno che non siano state date loro supervisione o istruzioni riguardo l'utilizzo dell'apparecchio da parte di una persona responsabile della loro sicurezza. I bambini dovrebbero essere supervisionati per assicurarsi che non giochino con l'apparecchio. I modelli con pannello touch elettronico sono dotati di blocco per bambini.**

Non appoggiarsi o far dondolare lo sportello.

Non giocare col forno né usarlo come se fosse un giocattolo.

Illustrare ai bambini le norme di sicurezza: insegnare loro a usare le presine per togliere i piatti dal forno, a

rimuovere con precauzione i coperchi e, in particolare, gli involucri (ad esempio i materiali autoriscaldanti) usati per rendere il cibo croccante, in quanto possono diventare estremamente caldi.

### **Altri avvertimenti**

Non modificare in alcun modo il forno.

Non spostare il forno mentre sta funzionando.

Questo apparecchio è pensato per l'uso casalingo.

Questo forno è progettato per la preparazione di cibo in casa e può essere usato soltanto per cucinare cibo e bevande. Asciugare cibo o tessuti o scaldare cuscinetti, pantofole, spugne, panni umidi o oggetti simili può provocare il rischio di lesioni, scintille o fiamme. Non è adatto all'uso commerciale o in laboratorio.

### **Per evitare difetti di funzionamento o danni al forno:**

Non azionare il forno quando è vuoto. Usando un piatto per rosolare i cibi, o del materiale autoriscaldante, mettere sempre sotto di esso del materiale isolante resistente al calore, come un piatto di porcellana, per evitare danni alla base del forno a causa del calore. Non dovete inoltre superare il tempo di preriscaldamento specificato nelle istruzioni del piatto.

Non utilizzare utensili in metallo, che riflettono le microonde e possono causare archi elettrici. Non mettere lattine nel forno.

Per prevenire la rottura della base del forno:

- 
- a) Prima di pulire la base del forno con acqua, lasciar raffreddare la superficie.
  - b) Non mettere cibo o utensili caldi sulla base del forno fredda.
  - c) Non mettere cibo o utensili freddi sulla base del forno calda.

Non mettere alcun oggetto sul mobile esterno durante il funzionamento del forno.

**NOTA:**

Non utilizzare contenitori di plastica per la cottura a microonde se il forno è ancora caldo dopo l'utilizzo della funzione GRILL o MIX GRILL poiché potrebbero sciogliersi.

I contenitori di plastica non devono essere usati nelle funzioni sopra citate, a meno che il produttore degli stessi contenitori non affermi che essi siano adatti a questo tipo di utilizzo.

Se non siete sicuri su come collegare il vostro forno, consultare un elettricista autorizzato e qualificato.

Né il produttore né il rivenditore si fanno carico di alcuna responsabilità per danni al forno o per lesioni personali derivanti dal mancato rispetto della procedura di collegamento elettrico.

Si possono talvolta formare del vapore acqueo o delle gocce sulle pareti del forno o attorno alle guarnizioni e alle superfici di tenuta. Ciò è del tutto normale e non è indice di malfunzionamento o di perdita.



Questo simbolo sta a significare che le superfici potrebbero diventare calde durante l'utilizzo.

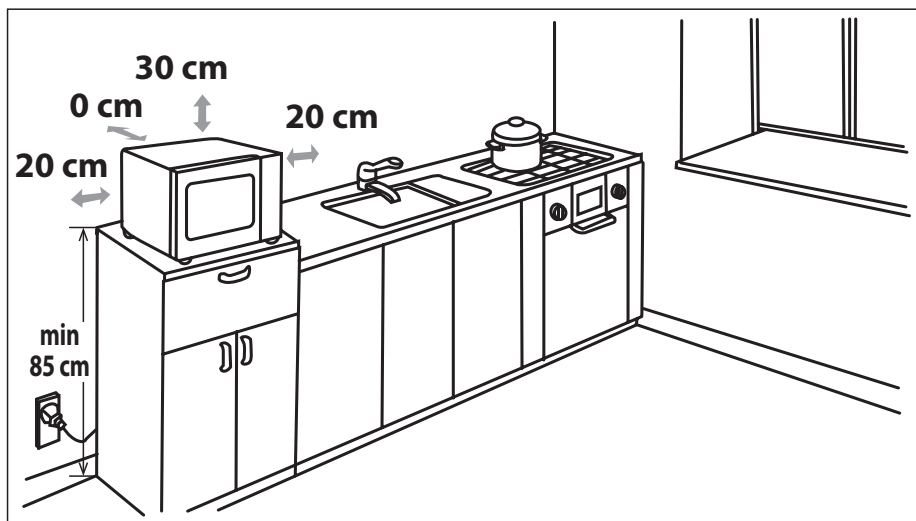
## INSTALLAZIONE

1. Togliere tutto il materiali all'interno del forno e toglieate tutte le pellicole protettive dal microonde e sulla sua superficie.
2. Controllare con attenzione che il forno non sia danneggiato.
3. Posizionare il forno su di una superficie sicura e piana, resistente a sufficienza per sostenere il peso del forno e il più pesante elemento possibile che possa esservi cucinato. Non mettere il forno in un armadio.
4. Scegliere una superficie che dia sufficiente spazio alle ventole di ingresso e uscita. Vedere l'immagine sulla prima pagina.

La parte posteriore dell'elettrodomestico può essere posizionata contro il muro.

- L'altezza minima per l'installazione è 85 cm.
- È richiesto uno spazio minimo di 20 cm tra i lati del forno a microonde e qualunque parete adiacente.
- Lasciare almeno 30 cm di spazio sopra il forno.
- Non togliere i piedini da sotto il forno.
- Bloccare la presa e/o i bocchettoni di sfiato potrebbe danneggiare il forno.

- Posizionare il forno il più lontano possibile da radio e televisori. Il funzionamento del microonde potrebbe causare interferenze con la radio o il televisore.



5. Inserire la spina del cavo di alimentazione del forno in una presa a muro standard a massa.

**ATTENZIONE:** non posizionare il forno in luoghi in cui si producono calore, condensa o grande umidità (per esempio vicino o sopra un normale forno) o vicino a materiali combustibili (per esempio tende).

Non bloccare od ostruire le bocche di areazione.

Non appoggiare oggetti sopra il forno.

Non toccare l'esterno del forno a microonde durante o poco dopo l'utilizzo, poiché sarà caldo.

# SPECIFICHE

Nome modello:		YC-GC52FE
Tensione linea AC		230-240 V/50 Hz monofase
Fusibile linea distribuzione/interruttore di circuito		10 A
Tensione di alimentazione CA richiesta		1400 W
Potenza erogata:	Microonde	900 W
	Griglia	1200 W
	Convezione	2050 W
	Standby	< 1,0 W
	Modalità risparmio energetico	< 0,5 W
Frequenza microonde		2450 MHz*
Dimensioni esterne (S) x (A) x (A) mm		490 x 287 x 495
Dimensioni cavità (S) x (A) x (A)** mm		330 x 220 x 335
Capacità forno		25 litri**
Griglia per grill		ø 220 mm, A: 85 mm
Vassoio da forno		ø 280 mm, A: 49 mm
Peso		circa 18,6 kg
Lampadina del forno (tipo LED)		1,5 W

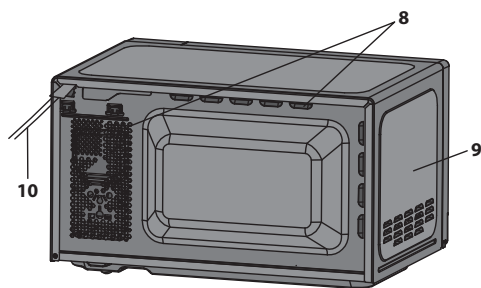
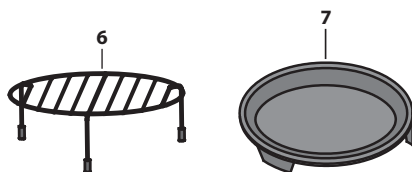
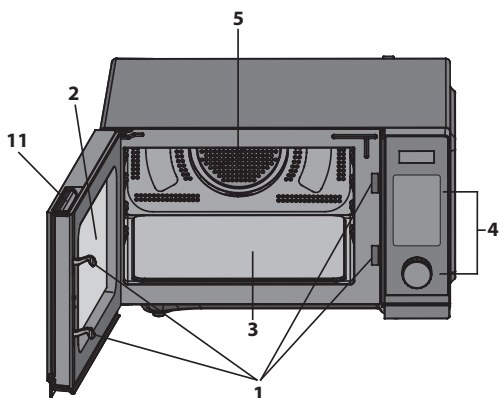
\* - Questo prodotto soddisfa i requisiti dello standard europeo EN55011. In conformità con questo standard, questo prodotto è classificato come apparecchiatura di gruppo 2 classe B. Gruppo 2 significa che l'apparecchiatura genera intenzionalmente energia a radiofrequenza nella forma di radiazione elettromagnetica per il trattamento al calore degli alimenti. Apparecchiatura di classe B significa che l'apparecchiatura è idonea per l'uso domestico.

\*\* - La capacità interna è calcolata misurando larghezza, profondità e altezza massime. Lo spazio a disposizione per gli alimenti è inferiore.

NEL QUADRO DELLA NOSTRA POLITICA DI MIGLIORAMENTO CONTINUO, LE SPECIFICHE TECNICHE POSSONO ESSERE MODIFICATE SENZA COMUNICAZIONE PREVENTIVA.

# FORNO E ACCESSORI

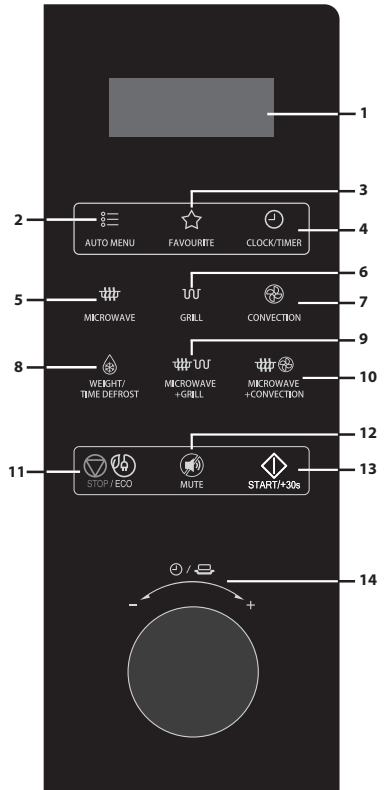
1. Sistema di blocco di sicurezza dello sportello
2. Sportello del forno
3. Lastra base interno
4. Pannello di controllo
5. Resistenza grill
6. Griglia per grill
7. Vassoio da forno
8. Aperture di ventilazione
9. Rivestimento esterno
10. Cavo per l'alimentazione
11. Maniglia di apertura





# PANNELLO DI CONTROLLO

1. **DISPLAY:** mostra tempo di cottura, potenza, indicatori e orario
2. **MENU AUTO:** premere per selezionare i menu di cottura automatica.
3. **PREFERITI:** usare per memorizzare programmi.
4. **OROLOGIO/TIMER:** usare per impostare l'orario. Usare per impostare la funzione timer.
5. **MICROONDE:** premere per selezionare il livello di potenza delle microonde.
6. **GRILL:** premere per impostare il programma di cottura grill.
7. **CONVEZIONE:** premere per impostare il programma di cottura a convezione.
8. **SCONGELAMENTO A PESO/TEMPO:** premere una volta per eseguire lo scongelamento basato sul peso. Premere due volte per lo scongelamento basato sul tempo.
9. **MICROONDE+GRILL:** premere per impostare il programma di cottura con combinazione di microonde e grill.
10. **MICROONDE+CONVEZIONE:** premere per impostare il programma di cottura con combinazione di microonde e convezione.
11. **STOP/ECO:** premere una volta per fermare temporaneamente la cottura, o due volte per annullare del tutto la cottura. Usare per impostare la modalità di risparmio energetico.
12. **MUTO:** premere una volta per impostare la funzione muto, premere nuovamente per disattivare la funzione muto. Premere e tenere premuto (per 3 secondi) per attivare la funzione BLOCCO PER BAMBINI. Premere e tenere premuto di nuovo per disattivarla.
13. **AVVIO/+30s:** premere per avviare i programmi di cottura e scongelamento. Basta premerlo una quantità di volte per impostare il tempo di cottura e cuore immediatamente a piena potenza.
14. **TEMPO/PESO (manopola):** ruotare per impostare tempo, peso del cibo o portate.



## PRIMA DI USARE IL FORNO

- Quando il forno viene collegato all'alimentazione per la prima volta, su udirà un bip e il display mostrerà "1:01".
- Mentre si è in modalità di configurazione e non vengono premuti pulsanti per 30 secondi, l'unità entrerà in modalità stand-by.
- Durante la cottura, premere una volta il pulsante **STOP/ECO** per mettere in pausa il programma, poi premere il pulsante **AVVIO/+30s** per riprendere. Quando il pulsante **STOP/ECO** viene premuto per due volte, il programma verrà cancellato.
- Quando il ciclo di cottura sarà completato, lo schermo mostrerà **End** e il segnale acustico verrà emesso ogni due minuti finché lo sportello resta aperto o un pulsante è premuto.

## IMPOSTARE L'OROLOGIO

Per impostare l'orologio, seguire le istruzioni descritte di seguito:

1. In modalità stand-by, premere e tenere premuto il pulsante **OROLOGIO/TIMER** per 3 secondi per selezionare l'orologio a cicli di 12 ore, premere nuovamente il pulsante per selezionare l'orologio a cicli di 24 ore.
2. Ruotare la manopola **TEMPO/PESO** per impostare le cifre dell'ora.
3. Premere una volta **AVVIO/+30s**.
4. Ruotare la manopola **TEMPO/PESO** per impostare le cifre dei minuti.
5. Premere il pulsante **OROLOGGIO/TIMER** per confermare.

## COTTURA ESPRESSO

Usare questa funzionalità per programmare il forno in modo che si avii al 100% della potenza. In modalità stand-by, premere il pulsante **AVVIO/+30s** ripetutamente per impostare il tempo di cottura (ogni pressione corrisponde a un incremento di 30 secondi, fino a un massimo di 10 minuti). Il forno partirà subito automaticamente.

## COTTURA A MICROONDE

1. In modalità stand-by, premere il pulsante **MICROONDE** ripetutamente per selezionare il livello di potenza.
2. Ruotare la manopola **TEMPO/PESO** per impostare il tempo di cottura. Il tempo di cottura più lungo è di 95 minuti.
3. Premere **AVVIO/+30s** per confermare.

Premere il pulsante **MICROONDE** ripetutamente per selezionare il livello di potenza.

Premete il pulsante MICROONDE	Potenza (Display)	Premete il pulsante MICROONDE	Potenza (Display)
Una volta	100% (P100)	7 volte	40% (P-40)
Due volte	90% (P-90)	8 volte	30% (P-30)
3 volte	80% (P-80)	9 volte	20% (P-20)
4 volte	70% (P-70)	10 volte	10% (P-10)
5 volte	60% (P-60)	11 volte	0% (P-00)
6 volte	50% (P-50)		

**NOTA:** durante la cottura, è possibile controllare il livello di potenza premendo il pulsante **MICROONDE**.

## GRILL

La cottura col grill è particolarmente utile per fette di carne sottili, bistecche, braciola, kebab, salsicce e pezzi di pollo. Inoltre è adatta a panini caldi e piatti al gratin.

1. In modalità stand-by, premere una volta il pulsante **GRILL**.

2. Ruotare la manopola **TEMPO/PESO** per impostare il tempo di cottura. Il tempo di cottura più lungo è di 95 minuti.
3. Premere **AVVIO/+30s** per avviare.

## MICROONDE+GRILL

**Combinazione 1:** 30% del tempo cottura microonde, 70% del tempo cottura grill. Utilizzarla per pesce e per gratin.

**Combinazione 2:** 55% del tempo cottura a microonde, 45% del tempo cottura grill. Utilizzarla per budini, frittate, patate al forno e pollame.

1. In modalità stand-by, premere il pulsante **MICROONDE+GRILL** una volta o due per selezionare "Co-1" o "Co-2".
2. Ruotare la manopola **TEMPO/PESO** per impostare il tempo di cottura. Il tempo di cottura più lungo è di 95 minuti.
3. Premere **AVVIO/+30s** per avviare.

**NOTA:** durante la cottura, è possibile controllare la modalità di combinazione premendo il pulsante **MICROONDE+GRILL**.

## CONVEZIONE

Durante la cottura a convezione, l'aria calda circola attraverso l'interno del forno per imbrunire e rendere croccante il cibo in maniera rapida e omogenea. Questo forno può essere programmato su tredici diverse temperature di cottura (230°C, 220°C, 210°C, 200°C, 190°C, 180°C, 170°C, 160°C, 150°C, 140°C, 130°C, 120°C, 110°C).

**Per pre-riscaldare e cuocere usando la funzione convezione, seguire le istruzioni di seguito:**

Il forno può essere programmato per combinare le operazioni di cottura di preriscaldamento e convezione.

1. In modalità stand-by, premere il pulsante **CONVEZIONE** ripetutamente per selezionare la temperatura di convezione.
2. Premere il pulsante **AVVIO/+30s** per iniziare. Saranno emessi dei segnali acustici quando verrà raggiunta la temperatura designata.
3. Aprire lo sportello e collocare il contenitore del cibo al centro della superficie piana.
4. Ruotare la manopola **TEMPO/PESO** per impostare il tempo di cottura. Il tempo di cottura più lungo è di 95 minuti.
5. Premere **AVVIO/+30s** per avviare.

**NOTA:** quando la temperatura di pre-riscaldamento della convezione viene raggiunta, il forno emetterà un segnale acustico ogni due secondi. La temperatura di pre-riscaldamento sarà mantenuta per 30 minuti.

## MICROONDE+CONVEZIONE

La modalità Microonde+Convezione rende più facile e veloce la cottura.

Ci sono quattro impostazioni pre-programmate per questa funzione descritte di seguito:

230°C: adatta per carne spessa e difficile da cuocere, come pollo, che sia intero, coscia o ala.

200°C: può essere usata per carne sottile e più rapida da cuocere, come pesce o bistecca.

170°C e 140°C: queste modalità sono adatte per carne a fette o cibo semi-lavorato, per esempio pancetta o salsicce.

1. In modalità stand-by, premere il pulsante **MICROONDE+CONVEZIONE** ripetutamente per selezionare la temperatura di convezione (230°C, 200°C, 170°C, 140°C).
2. Ruotare la manopola **TEMPO/PESO** per impostare il tempo di cottura. Il tempo di cottura più lungo è di 95 minuti.
3. Premere **AVVIO/+30s** per avviare.

**NOTA:** durante la cottura, è possibile controllare la temperatura di convezione premendo il pulsante **MICROONDE+CONVEZIONE**.

## SCONGELAMENTO A PESO

1. In modalità stand-by, premere una volta il pulsante **SCONGELAMENTO A PESO/TEMPO**.
2. Ruotare la manopola **TEMPO/PESO** per impostare il peso del cibo. Il peso selezionabile va da 100g a 2000g.
3. Premere **AVVIO/+30s** per confermare.

**NOTA:** durante lo scongelamento, il sistema si metterà in pausa ed emetterà un segnale acustico per ricordare di capovolgere il cibo. Dopodiché, premere il pulsante **AVVIO/+30s** per riprendere la cottura.

### Tabella scongelamento a peso

<b>Peso [kg]</b>	0,1	0,2	0,3	0,4	0,5	0,6	0,7	0,8	0,9	1,0	1,1	1,2	1,3	1,4	1,5	1,6	1,7	1,8	1,9	2,0
<b>Tempo [min]</b>	3	5	7	9	11	13	15	17	19	21	23	25	27	29	31	33	35	37	39	41

## SCONGELAMENTO A TEMPO

1. In modalità stand-by, premere due volte il pulsante **SCONGELAMENTO A PESO/TEMPO**.
  2. Ruotare la manopola **TEMPO/PESO** per impostare il tempo di scongelamento. Il tempo più lungo è di 95 minuti.
  3. Premere **AVVIO/+30s** per confermare.
- NOTA:** quando si usa la funzione Scongelamento a tempo, il microonde cuocerà al 40% di potenza, poi al 30% di potenza, dopodiché si fermerà per permettere l'apertura dello sportello e il capovolgimento del cibo. Quando la cottura riprende alla pressione del pulsante **AVVIO/+30s**, cuocerà al 20% della potenza.

## TIMER DA CUCINA

1. Premere una volta il pulsante **OROLOGIO/TIMER**.
  2. Ruotare la manopola **TEMPO/PESO** per impostare il tempo desiderato. Il tempo più lungo è di 95 minuti.
  3. Premere **AVVIO/+30s** per confermare.
- Per annullare il programma TIMER premere il pulsante **STOP/ECO** e l'orologio mostra l'ora.

## FUNZIONE PREFERITI

Ci sono 3 preferiti in questa funzione, ciascuno può essere impostato con una sequenza di cottura.

### Per memorizzare:

1. In modalità stand-by, premere **PREFERITI** una, due o tre volte.
2. Indicare il programma di cottura desiderato (inclusa cottura multifase).
3. Premere **AVVIO/+30s** per confermare.

### Per avviare:

1. In modalità stand-by, premere **PREFERITI** una, due o tre volte per selezionare il programma di cottura.
2. Premere **AVVIO/+30s** per avviare.

### Per cancellare:

In modalità stand-by, premere **PREFERITI** una, due o tre volte.

Premere e tenere premuto il pulsante **PREFERITI** per 3 secondi; il display mostrerà "CLr" per 5 secondi e il forno tornerà in modalità stand-by.

### NOTA:

- Possono essere memorizzati soltanto microonde, grill, convezione, microonde+grill e microonde+convezione.
- I programmi preferiti resteranno memorizzati anche se l'alimentazione viene disconnessa.
- È possibile memorizzare solo 3 programmi preferiti. Se si desidera effettuare una modifica, eliminarne uno.
- Se il contenuto dei preferiti è vuoto, il codice relativo ai preferiti lampeggerà. Se c'è un contenuto memorizzato nei preferiti, il codice relativo ai preferiti resterà illuminato.

## FUNZIONE RISPARMIO ENERGETICO

**Per impostare la funzione:** in modalità stand-by, premere e tenere premuto il pulsante **STOP/ECO** per 3 secondi, il display si spegnerà. Il forno entrerà in modalità risparmio energetico.

**Per cancellare la funzione:** in modalità di risparmio energetico, la funzione può essere cancellata premendo qualsiasi pulsante oppure aprendo e chiudendo una volta lo sportello.

## FUNZIONE MUTO

Per impostare la funzione muto premere il pulsante **MUTO** una volta, quindi il display mostra "**OFF**" per 3 secondi. Mentre si è in funzione muto, non si udiranno suoni quando i pulsanti vengono premuti. Per disattivare la funzione muto, premere il pulsante **MUTO** una volta, quindi il display mostra "**On**" per 3 secondi.

## BLOCCO BAMBINI

1. Per impostare il BLOCCO BAMBINI, premere e tenere premuto il pulsante **MUTO** per 3 secondi; si udirà un lungo segnale acustico e il display indicherà "**LOC**". Il forno ora è in modalità BLOCCO BAMBINI. In questa modalità, il display mostrerà l'orologio; se viene premuto un pulsante qualsiasi o lo sportello viene aperto, apparirà "**LOC**" per 10 secondi.
2. Per annullare il BLOCCO BAMBINI, tenere premuto il tasto **MUTO** per 3 secondi finché non si udirà un lungo bip.

## BLOCCO DI SICUREZZA

Utilizzatelo per evitare che bambini utilizzino il forno senza supervisione di un adulto.

**Per impostare:** in modalità stand-by, se non viene eseguita alcuna operazione per 1 minuto, il forno entrerà automaticamente in modalità blocco di sicurezza e la spia del blocco si accenderà. In questo stato, tutti i pulsanti sono disattivati. Premere un pulsante qualsiasi, la spia del blocco appare sul display per 5 secondi per ricordare all'utente di disattivare il blocco di sicurezza.

Per rimuovere il blocco, aprire lo sportello del microonde e il tastierino tornerà attivo e la spia del blocco si spegnerà.

## MECCANISMO DI PROTEZIONE AUTOMATICA

**PROTEZIONE DAL SURRISCALDAMENTO:** quando il forno rileva una temperatura alta, il display indica "**E01**" e smette di funzionare. Ciò può essere annullato premendo il pulsante **STOP/ECO**.

**PROTEZIONE DA BASSE TEMPERATURE:** quando il forno entra in modalità protezione da basse temperature, il display mostra "**E02**" e smette di funzionare. Ciò può essere annullato premendo il pulsante **STOP/ECO**.

**PROTEZIONE MALFUNZIONAMENTO SENSORE:** quando il forno rileva che c'è un problema con uno dei sensori, apparirà "**E03**" o "**E04**" e il forno smetterà di funzionare. In aggiunta il forno emetterà un segnale acustico di avvertimento. Ciò può essere annullato premendo il pulsante **STOP/ECO**.

## COTTURA AUTOMATICA

Per cibo o la seguente modalità di cottura, non è necessario programmare il tempo di cottura e la potenza. È sufficiente indicare il tipo di cibo che si vuole cuocere nonché il peso o il numero di portate del cibo.

1. In modalità stand-by, premere ripetutamente il pulsante **MENU AUTO** per selezionare il codice del menu.
2. Ruotare la manopola **TEMPO/PESO** per impostare il peso del cibo o la quantità di portate.
3. Premere **AVVIO/+30s** per avviare.

### Menu cottura automatica:

Codice	Alimenti	Nota
A-01	Bevanda (200 ml/tazza, 1 - 3 tazze)	<ol style="list-style-type: none"><li>1. Per gli elementi "A07" ~ "A09", "A-13", il forno entrerà in pausa ed emetterà un segnale acustico per ricordare all'utente di capovolgere il cibo, dopodiché premere il pulsante <b>AVVIO/+30s</b> per riprendere.</li><li>2. Quando viene usata la funzione di cottura automatica, il cibo potrebbe non essere cotto come ci si aspetta. Ciò può dipendere da diverse motivazioni così come da preferenze personali, dimensioni/forma del cibo, temperatura dell'ambiente, variazioni nell'alimentazione, se il cibo è stato collocato in maniera corretta sulla base del forno e così via. Nel caso in cui il cibo non sia cotto secondo la propria preferenza, regolare il tempo per correggere.</li></ol>
A-02	Patate farcite (230 ±10 g/porzione, 1 - 2 porzioni)	
A-03	Verdura (200 - 600 g)	
A-04	Riscaldamento automatico (200 - 800 g)	
A-05	Zuppa (300 ml/ciotola, 1 - 3 ciotole)	
A-06	Riso (150 - 600 g)	
A-07	Roast beef/Agnello (200 - 600 g)	
A-08	Pezzi di pesce grigliati (200 - 600 g)	
A-09	Pancetta alla griglia (100 g, 200 g, 300 g)	
A-10	Patatine al forno (200 g)	
A-11	Pizza (150 g, 300 g, 450 g)	
A-12	Torta (475 g)	
A-13	Pollo arrosto (800 - 1400 g)	

## PULIZIA E MANUTENZIONE

1. Spegner il forno e staccare la spina dalla presa quando si pulisce.
2. Tenere l'interno del forno pulito. Quando il cibo schizza o si riversano dei liquidi aderendo alle pareti del forno, ripulirle con un panno umido. Detergenti leggeri possono essere usati se il forno si sporca molto. Evitare di usare spray o altri detergenti più aggressivi. Potrebbero macchiare, graffiare o rovinare la superficie dello sportello.
3. L'esterno del forno deve essere pulita con un panno umido. Per prevenire danni alle parti funzionali all'interno del forno, non bisogna permettere che penetri acqua nelle aperture di ventilazione.
4. Strofinare lo sportello e la finestra su entrambi i lati, le giunture dello sportello e le parti adiacenti frequentemente con un panno umido per rimuovere eventuali riversamenti e macchi. Non usare un detergente abrasivo.
5. Non pulire usando vapore.
6. Non permettere che il pannello di controllo si bagni. Pulire con un panno soffice e umido. Quando si pulisce il pannello di controllo, lasciare lo sportello del forno aperto per evitare che il forno si accenda accidentalmente.
7. Se si accumula vapore all'interno o attorno l'esterno dello sportello del forno, ripulire con un panno umido. Ciò può verificarsi quando il forno microonde viene usato in condizioni di alta umidità. Non è un difetto.
8. La superficie interna di base del forno dovrebbe essere pulita regolarmente per evitare contaminazioni e possibili danni e archi elettrici. Basta strofinare la superficie del forno con un lieve detergente.
9. Rimuovere odori dal forno combinando una tazza d'acqua con il succo e la buccia di un limone in una ciotola che può essere usata con le microonde. Usare le microonde per 5 minuti. Strofinare con cura e asciugare con un panno morbido.
10. Se la lampadina si guasta, contattare l'assistenza tecnica per un consiglio.
11. Il forno deve essere pulito regolarmente ed eventuali depositi di cibo devono essere rimossi. Il mancato mantenimento del forno in condizioni di pulizia può portare al deterioramento della superficie che può avere effetti negativi sull'unità e potrebbe provocare situazioni pericolose.
12. Non smaltire questo apparecchio nel bidone della spazzatura domestica; dovrebbe essere smaltito in un centro di smaltimento particolare fornito dalla municipalità.

13. Quando il forno a microonde con la funzione grill viene usato per la prima volta, può produrre un leggero fumo e odore. Questo è un fenomeno normale, poiché il forno è composto da una piastra di acciaio con olio lubrificante, e il forno nuovo produrrà fumi e odori generati dalla combustione dell'olio lubrificante. Questo fenomeno scomparirà dopo un periodo d'uso.

## UTENSILI ADATTI

Per cucinare/scongellare cibo in un forno a microonde, l'energia a microonde deve poter passare attraverso un contenitore perché penetri nel cibo. Per questo è importante scegliere gli utensili adatti.

I piatti rotondi o ovali sono preferibili a quelli quadrati o oblungi, perché il cibo sui bordi tende a cuocere troppo. Diversi utensili da cucina possono essere usati, come indicato sotto.

Utensile	Microonde sicuro	Grill/Convezione	Commento
Fogli di alluminio vaschette di alluminio	✓ / ✗	✓	Piccoli pezzi di fogli di alluminio possono essere utilizzati per proteggere il cibo dal surriscaldamento. Mantenete i fogli ad almeno 2 cm dalle pareti del forno, poiché potrebbero verificarsi archi elettrici. Le vaschette di alluminio non sono consigliate, a meno che il produttore non lo specifichi, per esempio Microfoil®. Seguite attentamente le istruzioni.
Piatto crisp	✓ / ✗	✗	Seguite sempre le istruzioni del produttore. Non superate i tempi di cottura indicati. Prestate molta attenzione, poiché i piatti possono diventare molto caldi.
Porcellana e ceramica	✓ / ✗	✗	Porcellana, terracotta, vasellame smaltato e porcellana fine sono di solito adatti, a meno che non abbiano decorazioni in metallo.
Articoli di vetro p.es. Pyrex®	✓	✓	Fate attenzione se utilizzate stoviglie in vetro fine, poiché potrebbero rompersi o creparsi se riscaldate improvvisamente.
Metallo	✗	✓	Non è consigliato l'utilizzo di utensili da cucina in metallo perché possono creare archi elettrici che, a loro volta, possono causare fuoco o incendi.
Plastica/polistirene, per esempio contenitori di fast food	✓	✗	Fate attenzione poiché alcuni contenitori si deformano, si sciolgono o scoloriscono ad alte temperature.
Pellicola protettiva	✓	✗	Non dovrebbe toccare il cibo e deve essere forata per permettere al vapore di fuoriuscire.
Sacchetti per il freezer/ l'arrosto	✓	✗	Deve essere forato per far fuoriuscire il vapore. Assicuratevi che i sacchetti utilizzati siano adatti all'utilizzo nel forno a microonde.
Carta - piatti, bicchieri e carta da cucina	✓	✗	Non utilizzate fermagli in plastica o metallo poiché possono sciogliersi o prendere fuoco a causa degli archi metallici.
Paglia e contenitori di legno	✓	✗	Usate solamente per scaldare o per assorbire l'umidità. Fate attenzione, poiché il surriscaldamento può causare incendi.
Carta riciclata e giornali	✗	✓	Fate sempre attenzione al forno quando utilizzate questi materiali perché il surriscaldamento può provocare fiammate. Può contenere estratti di metallo che causano archi metallici e possono sfociare in fiammate.



**ATTENZIONE:** in caso di riscaldamento di alimenti inseriti in contenitori di plastica o di carta, a causa della possibilità della loro combustione mantenete il forno sotto osservazione.

**NOTA:** non lasciare il forno senza supervisione mentre è in funzione.

## RACCOMANDAZIONI PER CUCINA A MICROONDE

Le microonde cuociono il cibo più rapidamente della cottura convenzionale. Quindi è essenziale che certe tecniche vengano seguite per assicurare buoni risultati. Molte delle seguenti tecniche sono simili a quelle utilizzate nella cottura convenzionale.



**ATTENZIONE:** i liquidi e gli alimenti non devono essere riscaldati in contenitori sigillati o vasetti/ contenitori con coperchi, perché la pressione aumenta all'interno e potrebbe causare l'esplosione.

### CONSIGLI PER LA COTTURA:

- Essere sempre presenti durante l'uso del forno.
- Assicurarsi che gli utensili siano adatti per l'uso in un forno a microonde.
- Fare riferimento alle tabelle nella sezione del libro di cucina per i tempi di cottura e i livelli di potenza consigliati.
- Non collocare alimenti/utensili caldi sulla superficie interna o alimenti/utensili caldi sulla superficie interna.
- Usare solo popcorn a microonde all'interno della confezione consigliata (seguire le istruzioni del produttore). Non usare olio a meno che non sia specificato dal produttore e non cuocere più di quanto indicato.



**ATTENZIONE:** seguire sempre le istruzioni nel manuale d'uso Sharp. Se si superano i tempi di cottura consigliati e si usano livelli di potenza troppo elevati, gli alimenti potrebbero surriscaldarsi, bruciare e in circostanze estreme, prendere fuoco e danneggiare il forno.

### Disposizione

Collocare le parti più spesse degli alimenti verso l'esterno del piatto, ad es. le cosce di pollo.

Gli alimenti collocati verso l'esterno del piatto ricevono meno energia, quindi cuociono più rapidamente rispetto a quelli al centro.

### Coperchio

Alcuni alimenti beneficiano dall'essere coperti durante la cottura al microonde.

Usare una pellicola per microonde o un coperchio adatto.

### Bucare

Gli alimenti con guscio, pelle, o membrana devono essere bucati molte volte di essere cotti o riscaldati perché si forma vapore e potrebbe causarne l'esplosione, ad es. patate, pesce, pollo, salsicce.

**NOTA:** le uova non vanno riscaldate usando la potenza delle microonde in quanto potrebbero esplodere, anche dopo che la cottura è terminata. Ad es. uova in camicia, fritte, sode.

### Agitare, girare e ricollocare

Per una cottura uniforme è essenziale agitare, girare e ricollocare gli alimenti durante la cottura. Agitare e ricollocare sempre dall'esterno verso il centro.

### Riposo

Dopo la cottura è necessario lasciare riposare per qualche istante: ciò consente la dispersione uniforme del calore negli alimenti.



<b>Caratteristiche degli alimenti</b>	
<b>Composizione</b>	Gli alimenti ricchi di grasso o zucchero (p.es. budini, torte) richiedono meno tempo per la cottura. Fare attenzione perché un surriscaldamento può causare incendi. Le ossa negli alimenti conducono calore, e gli alimenti si cuociono più velocemente. Fare attenzione a una cottura uniforme degli alimenti.
<b>Densità</b>	La densità degli alimenti ha effetto sul tempo di cottura necessario. Gli alimenti leggeri e porosi, come torte o pane, si cuociono più rapidamente rispetto agli alimenti pesanti e densi come arrostiti e pasticci.
<b>Quantità</b>	Il numero di microonde nel forno resta lo stesso indipendentemente da quanto cibo viene cucinato. Il tempo di cottura deve essere aumentato se la quantità di alimenti nel forno aumenta. P.es. quattro patate richiedono più tempo di cottura di due.
<b>Dimensioni</b>	Gli alimenti e i pezzi piccoli si cuociono più rapidamente di quelli più grandi, poiché i microonde penetrano da tutti i lati verso il centro. Per una cottura uniforme fare pezzi delle stesse dimensioni.
<b>Forma</b>	Gli alimenti di forma irregolare, come pezzi o cosce di pollo, devono essere cotti più a lungo nelle parti più spesse. Per una cottura uniforme, collocare le parti più spesse all'esterno del piatto dove ricevono più energia. Le forme rotonde si cuociono in modo più uniforme delle forme squadrate con la cottura a microonde.
<b>Temperatura degli alimenti</b>	La temperatura iniziale degli alimenti ha effetto sul tempo di cottura necessario. Gli alimenti freddi richiedono più tempo per la cottura degli alimenti a temperatura ambiente. La temperatura del contenitore non è un'indicazione veritiera della temperatura degli alimenti o della bevanda. Tagliare gli alimenti con farciture, per esempio ciambelle alla marmellata, per rilasciare il calore o il vapore.



**ATTENZIONE: volto e mani: usare sempre guanti da forno per rimuovere gli alimenti o le stoviglie dal forno. Restare indietro quando si apre lo sportello del forno per consentire al calore o al vapore di disperdersi. Quando si rimuovono le coperture (come la pellicola), si aprono le borse degli arrostiti o la confezione del popcorn, tenere il vapore lontano da mani e volto.**



**ATTENZIONE: controllare la temperatura di alimenti e bevande e agitare prima di servire. Fare attenzione quando si servono i neonati, i bambini o gli anziani. I contenuti dei biberon e dei vasetti di omogeneizzati devono essere agitati o mescolati e controllare la temperatura prima di consumare per evitare bruciate.**

# CONSIGLI PER SCONGELAMENTO

Usare il forno a microonde è il metodo di scongelamento più rapido. Si tratta di un processo semplice ma le seguenti istruzioni sono essenziali per assicurare che gli alimenti siano adeguatamente scongelati.

- Rimuovere tutta la confezione e la copertura prima di scongelare.
- Per scongelare gli alimenti, usare i livelli 30P o 10P di potenza delle microonde.
- Consultare le informazioni di seguito per ulteriori dettagli.

## **Spostare**

Gli alimenti collocati verso l'esterno del piatto ricevono si scongelano più rapidamente degli alimenti al centro. Pertanto è essenziale che gli alimenti siano spostati fino a quattro volte durante lo scongelamento. Spostare i pezzi vicini dall'esterno al centro e spostare le parti sovrapposte. Ciò garantisce che tutte le parti siano scongelate uniformemente.

## **Separare**

Gli alimenti possono essere attaccati insieme quando sono rimossi dal congelatore. È importante separare gli alimenti non appena possibile durante lo scongelamento.

ad es. fette di pancetta, filetti di pollo.

## **Coperchio**

Alcune aree degli alimenti scongelati possono divenire bollenti. Per impedire che diventino troppo calde e iniziare la cottura, queste aree devono essere protette con pezzettini di foglio di alluminio, che riflettono le microonde, ad es. per cosce e ali di pollo.

## **Riposo**

Il tempo di riposo è necessario per assicurare che gli alimenti siano ben scongelati.

Lo scongelamento non è completo una volta che gli alimenti sono rimossi dal forno a microonde. Gli alimenti devono riposare, essere coperti, per un certo intervallo di tempo al fine di assicurare che il centro sia completamente scongelato.

## **Girare**

È essenziale che tutti gli alimenti siano capovolti fino a 4 volte durante lo scongelamento.

È importante per assicurare uno scongelamento profondo.

## CONSIGLI PER RISCALDAMENTO

Per il riscaldamento degli alimenti, seguire i consigli e le linee guida di seguito per garantire che gli alimenti siano ben riscaldati prima di servire.

### Pasti impiattati

Rimuovere porzioni di carne o pollame, riscaldarle separatamente, vedere di seguito.

Collocare le parti più piccole degli alimenti al centro del piatto, gli alimenti più grandi e spessi sul bordo. Coprire con una pellicola da microonde e riscaldare su 50P, agitare/spostare a metà riscaldamento.

**NOTA:** assicurarsi che gli alimenti siano ben riscaldati prima di servire.

### Carne affettata

Coprire con una pellicola da microonde e riscaldare su 50P. Spostare almeno una volta per garantire un riscaldamento uniforme.

**NOTA:** assicurarsi che la carne sia ben riscaldata prima di servire.

### Porzioni di pollo

Collocare le parti più spesse degli alimenti all'esterno del piatto, coprire con una pellicola da microonde e riscaldare su 70p.

Capovolgere a metà riscaldamento.

**NOTA:** assicurarsi che il pollo sia ben riscaldato prima di servire.

### Pasticci

Coprire con una pellicola per microonde o un coperchio adatto e riscaldare su 50P.

Agitare frequentemente per assicurare un riscaldamento uniforme.

**NOTA:** assicurarsi che gli alimenti siano ben riscaldati prima di servire.

Per ottenere i migliori risultati durante il riscaldamento, selezionare un livello di potenza del microonde adeguato al tipo di alimento. Ad es. una ciotola di verdure può essere riscaldata usando 100P, mentre una lasagna contenente ingredienti che non possono essere mescolati deve essere riscaldata usando 50P.

### NOTE:

- Rimuovere gli alimenti dal foglio di alluminio o dai contenitori in metallo prima di riscaldare.
- I tempi per il riscaldamento sono influenzati da forma, profondità, quantità e temperatura degli alimenti insieme a dimensioni, forma e materiali del contenitore.



**ATTENZIONE: non riscaldare mai liquidi in recipienti con collo stretto, perché potrebbe verificarsi una fuoriuscita del contenuto, con pericolo di bruciature.**

- Per evitare surriscaldamento o incendio, prestare molta attenzione alla cottura o al riscaldamento di cibi che contengono molto zucchero o sostanze grasse, quali ad esempio torte o budini.
- Non riscaldare olio o grasso per la frittura profonda perché potrebbe causare surriscaldamento e incendio.
- Le patate in scatola non devono essere riscaldate nel forno a microonde; seguire le istruzioni del produttore sulla scatola.



**ATTENZIONE: prima del consumo si raccomanda di agitare bene il contenuto dei biberon o dei vasetti di omogeneizzati, nonché di controllarne la temperatura, per evitare scottature.**

# RISOLUZIONE DEI PROBLEMI

Se si ritiene che il forno non stia funzionando correttamente, ecco alcune semplici verifiche che è possibile eseguire autonomamente prima di contattare l'assistenza. Ciò consente di evitare interventi non necessari se il guasto è facile da riparare.

Seguire la seguente procedura:

Collocare mezza tazza d'acqua sul piano interno del forno e chiudere lo sportello. Programmare il forno per cuocere per 1 minuto usando la potenza microonde 100P.

1. La spia del forno si illumina durante la cottura?
2. La ventola di raffreddamento funziona? (Controllare collocando la mano sopra le aperture della ventola.)
3. Dopo un minuto viene emesso un segnale acustico?
4. L'acqua nella tazza è calda?  
Estrarre la tazza d'acqua dal forno e chiudere lo sportello. Programmare il forno per cuocere per 3 minuti usando il grill.
5. Dopo 3 minuti, la resistenza del grill diventa rossa?  
Se la risposta è "NO" a una di queste domande, controllare che il forno sia correttamente collegato e che il fusibile non sia saltato. Se è tutto in ordine, controllare la tabella seguente.



**ATTENZIONE: non adattare, riparare o modificare il forno da soli. Eseguire manutenzione o riparazioni è pericoloso per tutti tranne che per gli tecnici addestrati SHARP. Questo è importante perché potrebbe includere la rimozione dei coperchi che offrono protezione dall'energia a microonde.**

- La guarnizione dello sportello arresta la perdita di microonde durante l'uso del forno, ma non forma una chiusura ermetica. È normale vedere gocce di acqua, luce o aria calda intorno allo sportello del forno. Gli alimenti con elevato contenuto di umidità rilasciano vapore e generano condensa all'interno dello sportello che potrebbe fuoriuscire dal forno.
- Riparazioni e modifiche: non tentare di usare il forno se non opera normalmente.
- Involucro esterno e accesso alla lampadina: non rimuovere l'involucro esterno. Questa operazione è molto pericolosa a causa dei componenti ad alto voltaggio all'interno che non devono mai essere toccati, in quanto ciò potrebbe risultare fatale.  
Il forno non è dotato di un coperchio per l'accesso alla lampadina. Se quest'ultima si guasta, non tentare di sostituirla da sé, ma chiamare una struttura di assistenza approvata da SHARP.

## TABELLA RISOLUZIONE PROBLEMI

DOMANDA	RISPOSTA
Presenza di ipotermia intorno allo sportello.	Quando il forno è in funzione, l'aria circola nella cavità. Lo sportello non forma una chiusura ermetica quindi l'aria potrebbe fuoriuscire dallo sportello.
Nel forno si forma condensa che potrebbe fuoriuscire dallo sportello.	La cavità del forno normalmente sarà più fredda degli alimenti cucinati, e quindi il vapore prodotto durante la cottura si condensa sulla superficie fredda. La quantità di vapore prodotto dipende dal contenuto d'acqua degli alimenti cucinati. Alcuni alimenti, come le patate, hanno un elevato contenuto di umidità. La condensa intrappolata nel vetro dello sportello dovrebbe sparire dopo alcune ore.
Lampeggiamento o arco elettrico dall'interno della cavità durante la cottura.	L'arco elettrico si verifica quando un oggetto metallico entra in contatto ravvicinato alla cavità del forno durante la cottura. Ciò può irridire la superficie della cavità, ma senza danneggiare il forno.
Archi elettrici con le patate	Assicurarsi che tutti gli "occhi" siano stati rimossi e che le patate siano state forate, posizionarle direttamente sulla superficie piana o su un piatto resistente al calore.
Lo schermo si illumina ma nel pannello di controllo non funziona quando viene premuto.	Controllare che lo sportello sia chiuso correttamente.
Il forno cuoce troppo lentamente.	Assicurarsi di avere selezionato il livello di potenza corretto.
Il forno emette un rumore.	L'energia a microonde pulsa durante la cottura/scongelo.
Il rivestimento esterno è caldo.	Il rivestimento potrebbe essere caldo al tatto, quindi tenere lontani i bambini.

## INTERFERENZE RADIO

L'utilizzo del forno a microonde può provocare interferenze a radio, televisori o apparecchi simili. Quando si verificano tali interferenze, possono essere ridotte o eliminate prendendo le seguenti misure:

1. Pulire lo sportello o le guarnizioni del forno.
2. Orientare nuovamente l'antenna di ricezione della radio o del televisore.
3. Cambiare la posizione del forno a microonde rispetto al ricevitore.
4. Allontanare il forno a microonde dal ricevitore.
5. Collegare la spina del forno a microonde in una presa diversa in modo che il forno a microonde e il ricevitore si trovino su circuiti diversi.

## PRIMA DI CHIAMARE L'ASSISTENZA

Prima di richiedere l'intervento dell'assistenza, controllare ciascuna voce seguente:

- Controllare per assicurarsi che il forno sia collegato correttamente alla presa della corrente. In caso contrario, rimuovere la spina dalla presa, attendere 10 secondi e reinserirla nuovamente in maniera salda.
- Controllare se è saltato un fusibile o se è scattato il contatore. Se questi sembrano funzionare correttamente, testare la presa con un altro apparecchio.
- Assicurarsi che il pannello di controllo sia programmato correttamente e che sia impostata l'ora.
- Assicurarsi che lo sportello sia chiuso correttamente, in modo che il sistema di bloccaggio sia inserito. Se lo sportello non è chiuso correttamente, il forno a microonde non entrerà in funzione.

SE NESSUNA DI QUESTE OPERAZIONI RISOLVE IL PROBLEMA, ALLORA CONTATTARE LA LINEA DI ASSISTENZA SHARP. NON PROVARE A MODIFICARE O RIPARARE IL FORNO DA SOLI.







Sharp Consumer Electronics Poland sp. z o.o.  
Ostaszewo 57B, 87-148 Łysomice, Poland

SHARP CORPORATION

1 Takumi-cho, Sakai-ku  
Sakai City, Osaka  
590-8522, Japan

SDA/MAN/0116

[www.sharpconsumer.eu](http://www.sharpconsumer.eu)

**SHARP**