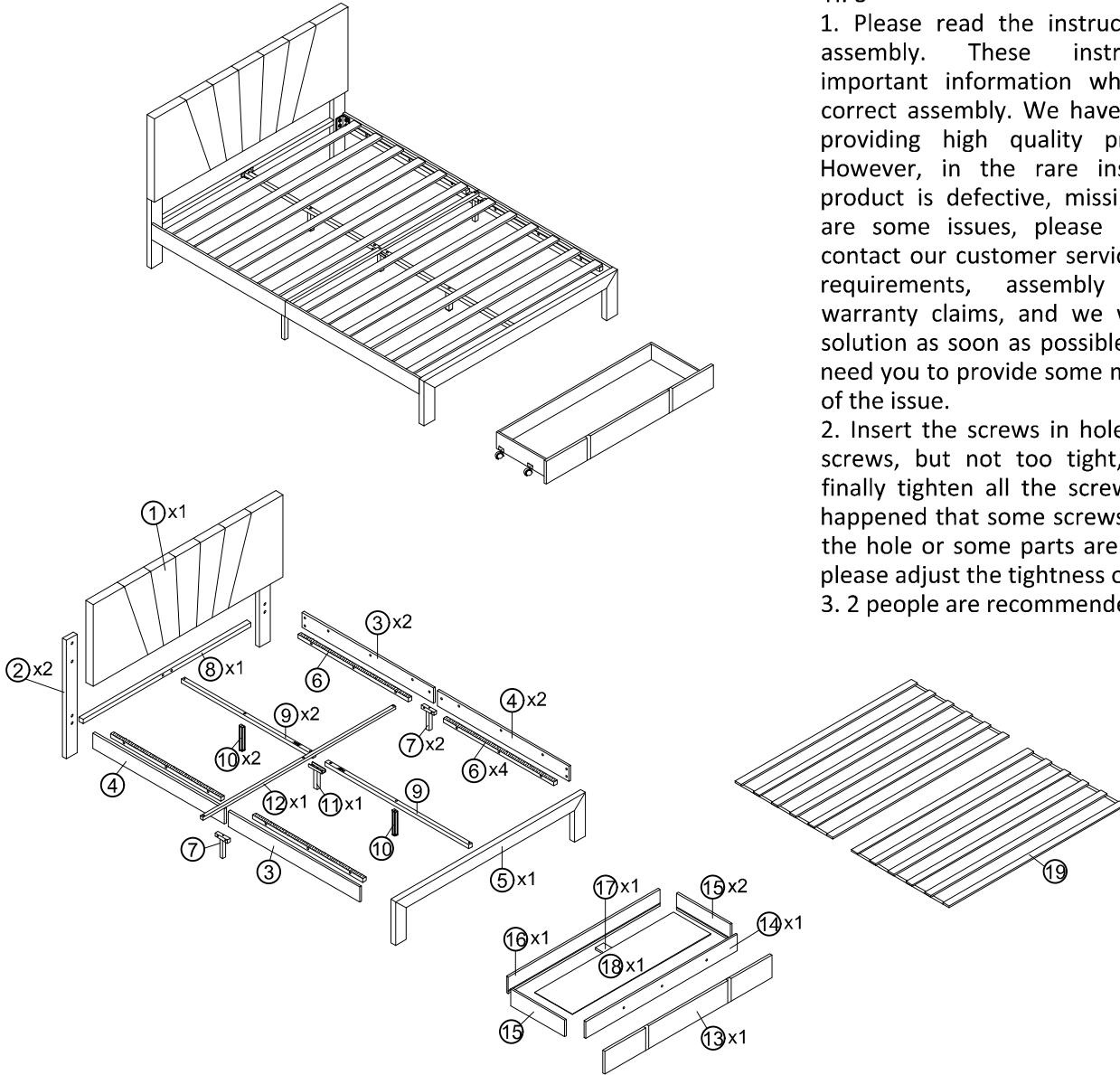


# ASSEMBLY INSTRUCTION



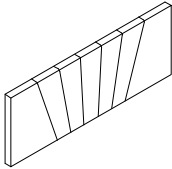
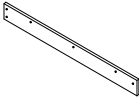
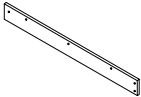
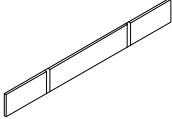
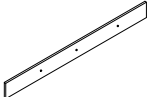
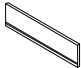
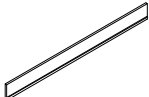


## TIPS

1. Please read the instructions fully before assembly. These instructions include important information which could ensure correct assembly. We have been working on providing high quality products for you. However, in the rare instance that your product is defective, missing parts or there are some issues, please don't hesitate to contact our customer service to submit parts requirements, assembly suggestion, or warranty claims, and we will give the best solution as soon as possible. If necessary, we need you to provide some more clear pictures of the issue.
2. Insert the screws in holes and tighten the screws, but not too tight, 70%~80% is ok, finally tighten all the screws. If some issues happened that some screws can not target to the hole or some parts are difficult to install, please adjust the tightness of the screws.
3. 2 people are recommended to finish


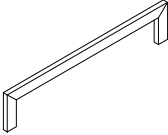

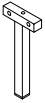
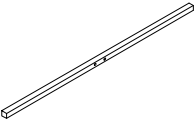
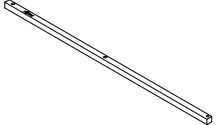


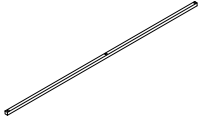
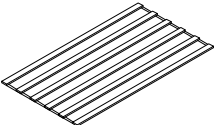
Parts List			Hardware List		
NO	ITEM	QTY	NO	ITEM	QTY
1	Head board	1	A	Allen Key 	1
2	Head board legs	2	B	Bolts (M8x50mm) 	4
3	Siderails	2	C	Bolts (M8x16mm) 	24
4	Siderails	2	D	Bolts (M8x40mm) 	25
5	Foot board	1	E	Washer 	4
6	Side rails support bar	4	F	Two hole iron 	2
7	Side rails support legs	2	G	"7" Connector 	4
8	Head board cross bar	1	H	Center support bar fittings 	2
9	Center support bar	2	J	Bolts (M8x30mm) 	3
10	Middle support leg	2	L	Drawer fittings 	12
11	Connected support leg	1	M	Drawer fittings 	12
12	Cross bar	1	N	Nails (M3x16mm) 	12
13	Drawer outer board	1	O	Drawer wheel 	4
14	Drawer board	1			
15	Drawer board	2			
16	Drawer board	1			
17	Drawer support bar	1			
18	Drawer bottom board	1			
19	Slats	12			

# Part List

WF289081

<p><b>1</b></p>  <p>Head board-1pc</p>	<p><b>3</b></p>  <p>Side rails-2pcs</p>	<p><b>4</b></p>  <p>Side rails-2pcs</p>
<p><b>13</b></p>  <p>Drawer outer board-1pc</p>	<p><b>14</b></p>  <p>Drawer board-1pc</p>	<p><b>15</b></p>  <p>Drawer board-2pcs</p>
<p><b>16</b></p>  <p>Drawer board-1pc</p>	<p><b>17</b></p>  <p>Drawer support bar-1pc</p>	<p><b>18</b></p>  <p>Drawer bottom board-1pc</p>

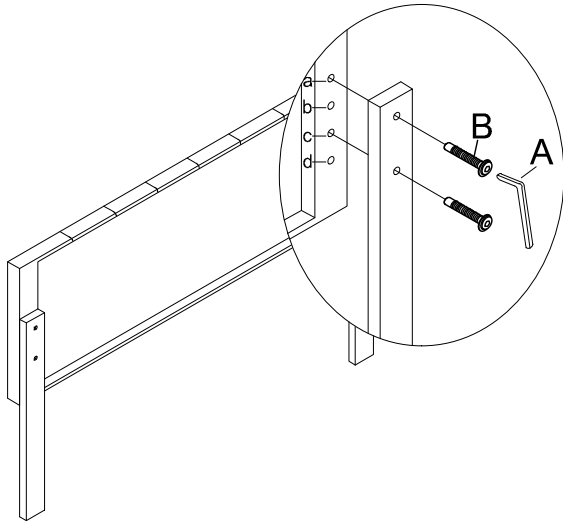
## Hardware List+WF289082



<p><b>2</b></p>  <p>Head board leg-2pc</p>	<p><b>5</b></p>  <p>Foot board -1pc</p>	<p><b>6</b></p>  <p>Side rails support bar-4pcs</p>
<p><b>7</b></p>  <p>Side rails support legs-2pcs</p>	<p><b>8</b></p>  <p>Head board cross bar-1pc</p>	<p><b>9</b></p>  <p>Center support bar-2pcs</p>
<p><b>10</b></p>  <p>Middle support leg-2pcs</p>	<p><b>11</b></p>  <p>Connected support leg-1pc</p>	<p><b>12</b></p>  <p>Cross bar-1pc</p>
<p><b>19</b></p>  <p>Slats-12pcs</p>		

Attention: Do not tighten the screws before completing the entire installation. If you have any difficulty with the installation process, please feel free to contact us.

### Step 1 x2

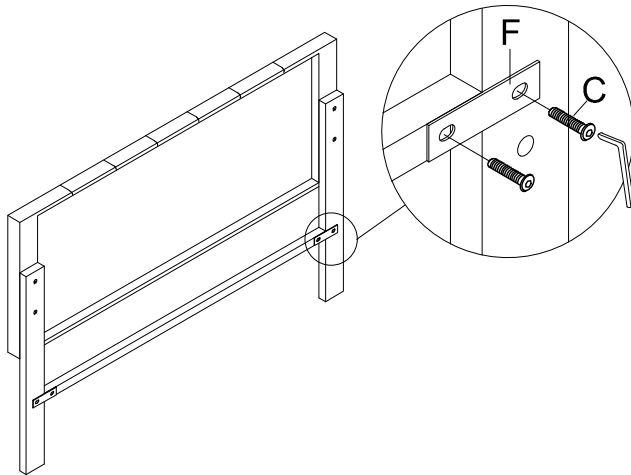
Fix the Headboard legs ② to the Headboard ① with Bolt B by using Allen key A. You can chose the hole a and c ,or b and d.






A Allen Key x 1	B Bolts x 4
	 M8X50mm

### Step 2 x2

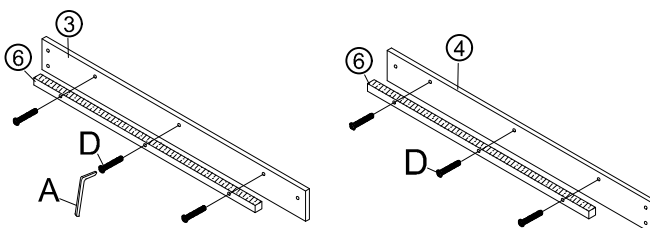
Fix the Headboard cross bar ⑨ to the Headboard legs ② with Bolt C and Two hole iron F by using Allen key A.





C Bolts x 4	F Two hole iron x 2	Allen Key
 M8X16mm		

### Step 3 x2

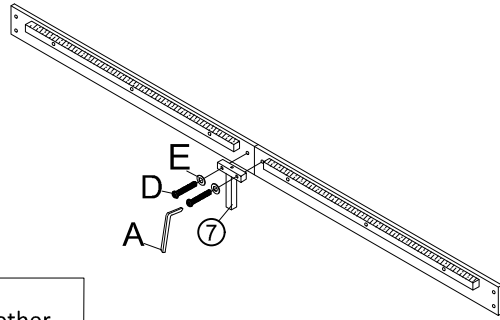
Connect Siderails ③ and ④ to Siderail support bar ⑥ with Bolts D by using Allen key A.






D Bolts x 12	Allen Key
 M8X40mm	

## Step 4 x2

Fix the Siderail support leg ⑦ to the assembled siderail with Bolt D and Washer E by using Allen key A.

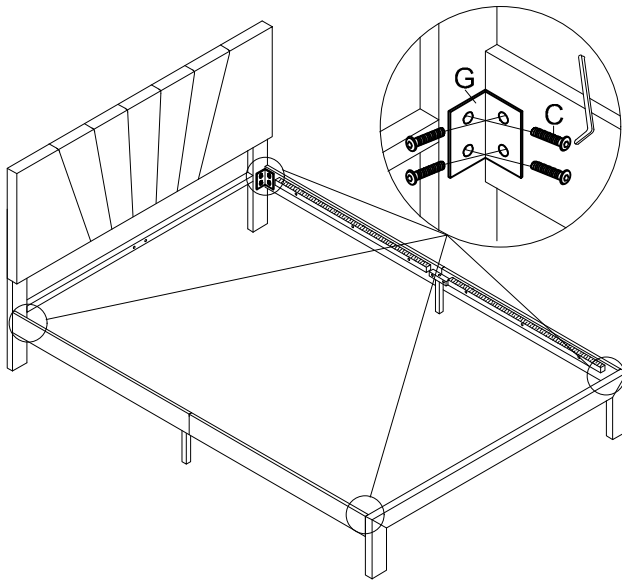


**NOTICE:**  
Please assemble ③ and ④ together.

D Bolts x 4  M8X40mm	E Washer x 4 	Allen Key 
---	---	--

## Step 5

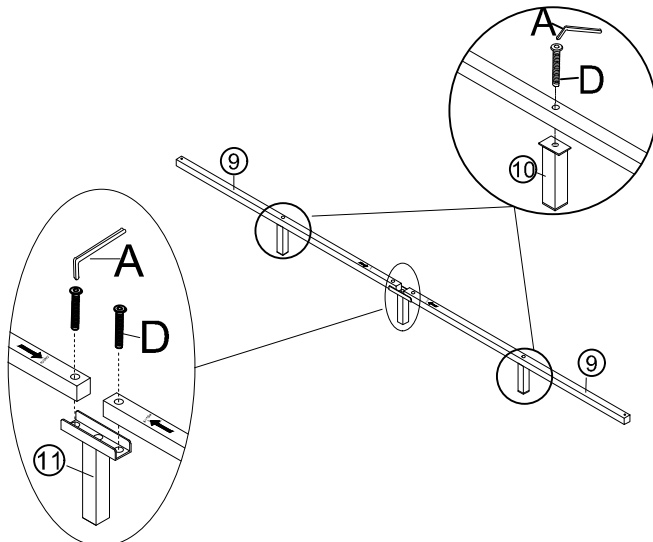
Fix the assembled siderail to the Headboard legs ② and footboard ⑤ with Bolt C and "7" Connector by using Allen key A.





C Bolts x 16  M8X16mm	G "7" Connector x 4 	Allen Key 
--	--	--

## Step 6

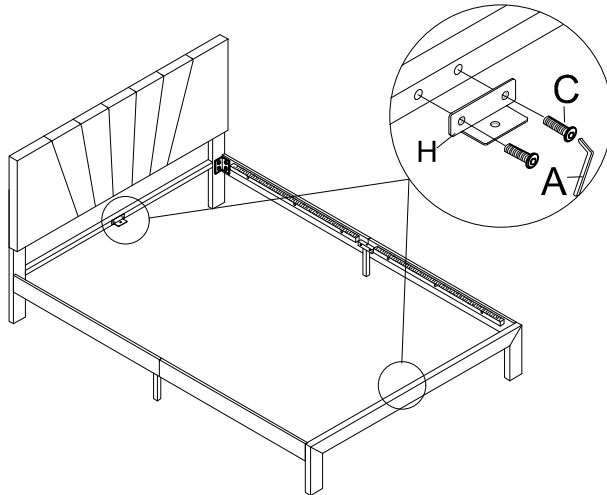
Fix the Middle support leg ⑩ to the Center support bar ⑨ with Bolt D by using Allen key A. Fix connected support leg ⑪ to the Center support bar with Bolt D and by using Allen key A.






D Bolts x 4  M8X40mm	Allen Key 
---	--

## Step 7

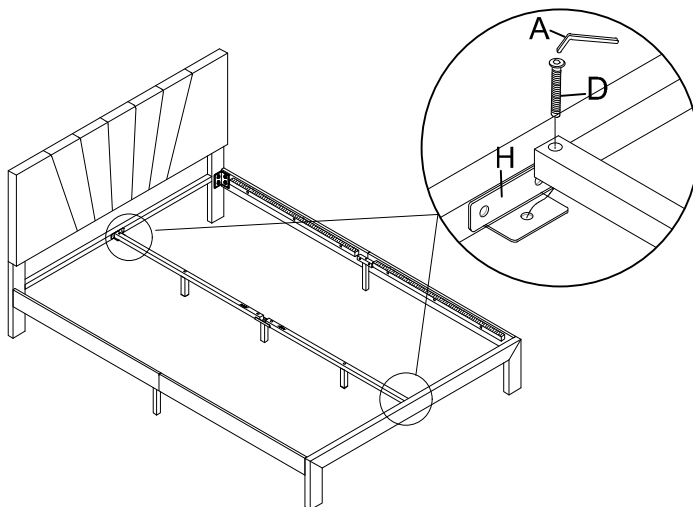
Fix the Center support bar fittings H to the Headboard cross bar ⑧ and foot board ⑤ with Bolts C by using Allen key A





Allen Key 	C Bolts x 4  M8X18mm	H Center support bar fittings x2 
--	---	---

## Step 8

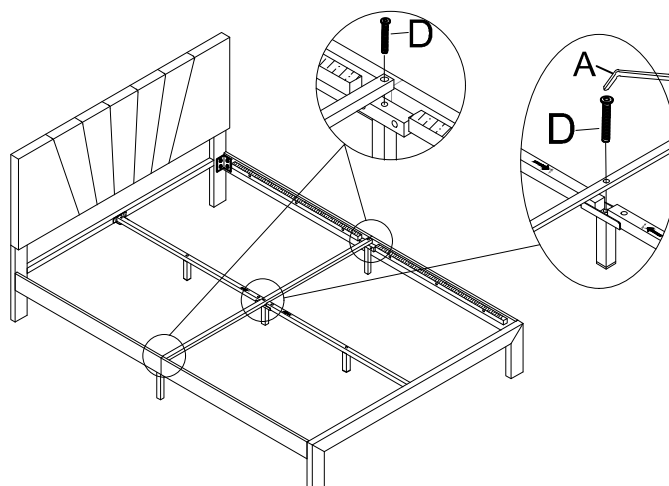
Fix the Center support bar ⑨ to the headboard cross bar ⑧ and foot board ⑤ with Bolts D by using Allen key A





D Bolts x 2  M8X40mm	Allen Key 
---	--

## Step 9

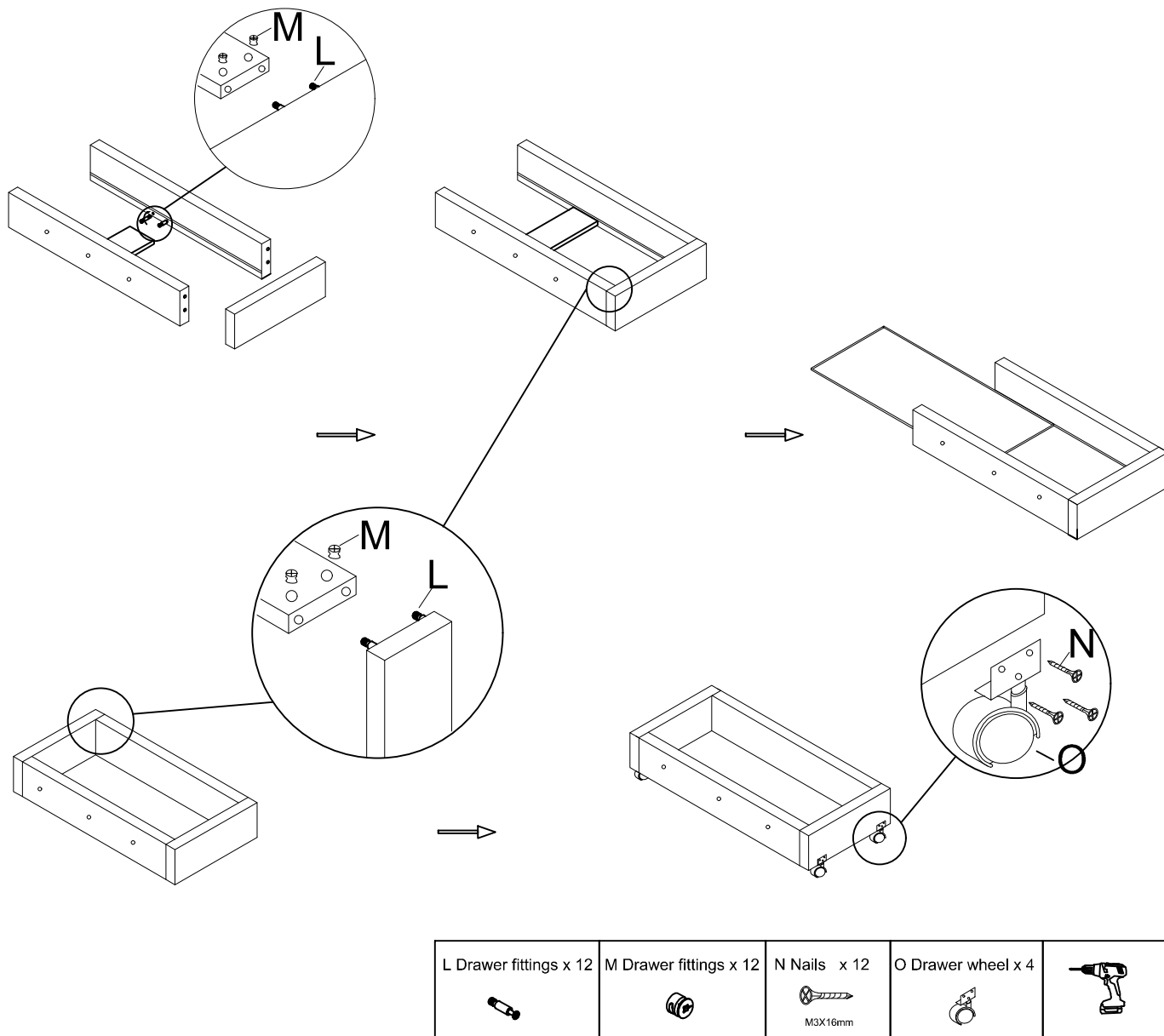
Fix the cross bar ⑫ to the side rails support legs ⑦ and Connected support legs ⑪ with Bolts D by using Allen key A



Allen Key 	D Bolts x 3  M8X40mm
--	---

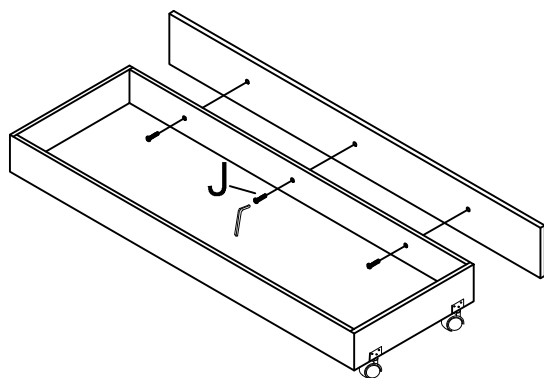
## Step 10



Assembled the Drawer with Drawer fittings L and M. Fix the Drawer wheel O with Nails N by using Electric drill or Screw driver.



## Step 11

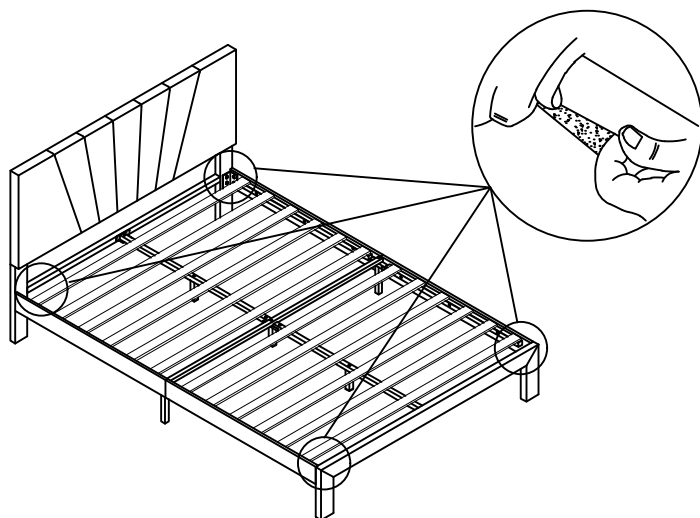
Fix Drawer outer board 13 to the drawer with Bolt J by using Allen key A.



J Bolts x 3 M8X30mm 	Allen Key 
---	--

## Step 12

Fix the slats ⑱ to the side support bar ⑥



## Step 13

Push the drawers into the bed, then assembly is finished.

