

Thin Client VESA Mounting Bracket

ACCSMNT



*actual product may vary from photos

FR: Guide de l'utilisateur - fr.startech.com
DE: Bedienungsanleitung - de.startech.com
ES: Guía del usuario - es.startech.com
NL: Gebruiksaanwijzing - nl.startech.com
PT: Guia do usuário - pt.startech.com
IT: Guida per l'uso - it.startech.com

For the latest information, technical specifications, and support for this product, please visit www.StarTech.com/ACCSMNT.

Use of Trademarks, Registered Trademarks, and other Protected Names and Symbols

PHILLIPS® is a registered trademark of Phillips Screw Company in the United States or other countries.

This manual may make reference to trademarks, registered trademarks, and other protected names and/or symbols of third-party companies not related in any way to StarTech.com. Where they occur these references are for illustrative purposes only and do not represent an endorsement of a product or service by StarTech.com, or an endorsement of the product(s) to which this manual applies by the third-party company in question. Regardless of any direct acknowledgement elsewhere in the body of this document, StarTech.com hereby acknowledges that all trademarks, registered trademarks, service marks, and other protected names and/or symbols contained in this manual and related documents are the property of their respective holders.

Warning statements

Make sure that you assemble this product according to the instructions.

Never operate this product if parts are missing or damaged.

When you assemble this product, do not over-tighten the screws.

At regular intervals (at least every three months), check to make sure that the product components are secure.

This product is intended for indoor use only and should not be used outdoors.

Do not exceed the weight capacity of this product. Overloading this product might result in injury or property damage. This product can support the following weight: 11 lb. (5 kg).

Make sure that the surface that you are attaching this product to can safely support the combined weight of the equipment and all of the hardware and components.

Varningsmeddelanden

Se till att du monterar produkten i enlighet med instruktionerna.

Använd aldrig produkten om delar saknas eller är skadade.

Dra inte åt skruvarna för hårt när du monterar produkten.

Kontrollera regelbundet (minst var tredje månad) att produktens delar är säkra.

Produkter är endast avsedd för användning inomhus och ska inte användas utomhus.

Överskrid inte produktens viktkapacitet. Överbelastning av produkten kan orsaka skada på person eller egendom. Denna produkt har stöd för följande vikter: 5 kg.

Se till att ytan som du fäster produkten till kan klara av den kombinerade vikten av utrustningen, all hårdvara och alla komponenter.

Waarschuwingen

Zorg dat u dit product volgens de instructies in elkaar zet.

Gebruik dit product nooit als er onderdelen ontbreken of beschadigd zijn.

Draai de schroeven niet te strak vast wanneer u dit product in elkaar zet.

Controleer regelmatig (ten minste elke drie maanden) of alle onderdelen van dit product goed vastzitten.

Dit product is alleen bedoeld voor binnengebruik en mag niet buiten worden gebruikt.

Overschrijd de maximale capaciteit van dit product niet. Overbelasting van dit product kan letsel of materiele schade veroorzaken. Dit product kan het volgende gewicht ondersteunen: 5 kg.

Zorg dat het oppervlak waaraan u dit product bevestigd, het gecombineerde gewicht van de apparatuur en alle bevestigingsmaterialen en componenten veilig kan ondersteunen.

Dichiarazioni di avvertenza

Assicurarsi di Assemblare il prodotto secondo le istruzioni.

Non utilizzare il prodotto in presenza di parti mancanti o danneggiate.

Durante l'assemblaggio del prodotto, non stringere troppo le viti.

Con cadenza regolare (almeno ogni tre mesi) controllare che i componenti del prodotto siano saldamente fissati.

Il prodotto è destinato all'uso in ambienti interni. Se ne sconsiglia l'impiego in ambienti esterni.

Non superare la capacità di carico del prodotto. Il sovraccarico del prodotto potrebbe causare danni o lesioni. Il prodotto è in grado di sostenere il seguente peso: 5 kg.

Assicurarsi che la superficie alla quale si sta fissando il prodotto sia in grado di sostenere in sicurezza il peso combinato dell'apparecchiatura e di tutti i componenti e gli hardware.

Avertissements

Assemblez ce produit conformément aux instructions.

N'utilisez pas ce produit si des pièces sont endommagées ou manquantes.

Ne serrez pas trop les vis lors de l'assemblage de ce produit.

Vérifiez régulièrement (au moins tous les trois mois) que les composants du produit sont correctement fixés.

Ce produit est uniquement destiné à une utilisation en intérieur et ne doit pas être utilisé à l'extérieur.

Né dépassez pas la capacité pondérale du produit. Une surcharge du produit peut entraîner des blessures ou des dommages matériels. Ce produit peut supporter : 5 kg.

Assurez-vous que la surface à laquelle vous fixez ce produit peut supporter le poids combiné des équipements, ainsi que de tous les éléments matériels et composants.

Mensagens de aviso

Certifique-se de que monta este produto de acordo com as instruções.

Nunca opere este produto se faltarem peças ou estas estiverem danificadas.

Quando montar este produto, não aperte demasiado os parafusos.

Em intervalos regulares (pelo menos a cada três meses), certifique-se de que os componentes do produto estão fixados de forma segura.

Este produto destina-se apenas a uma utilização no interior e não deve ser utilizado no exterior.

Não exceda a capacidade de peso deste produto. Sobrecarregar este produto pode resultar em ferimentos ou danos de propriedade. Este produto pode suportar o seguinte peso: 5 kg.

Certifique-se de que a superfície à qual está a anexar este produto pode suportar em segurança o peso combinado do equipamento e todo o hardware e componentes.

Advertencias de uso

Asegúrese de ensamblar este producto según las instrucciones.

Nunca opere o ponga en funcionamiento este producto si faltan piezas o hay daños en las mismas.

Cuando ensamble este producto, no apriete los tornillos más de lo debido.

Con regularidad periódica (al menos cada tres meses), asegúrese de que los componentes del producto estén asegurados.

El uso de este producto es solo para interiores y no debe utilizarse en exteriores.

Asegúrese de no exceder la capacidad de peso de este producto. La sobrecarga de este producto puede causar lesiones personales o daños en la propiedad. Este producto tiene capacidad para el siguiente peso: 5 kg.

Asegúrese de que la superficie a la que fijará este producto tiene capacidad para soportar de forma segura el peso conjunto del equipo instalado y todo el hardware y los componentes.

Warnhinweise

Beachten Sie bei der Montage dieses Produkts die Montageanweisungen.

Das Produkt darf nicht bedient werden, wenn Teile fehlen oder beschädigt sind.

Achten Sie bei der Montage des Produkts darauf, die Schrauben nicht zu fest anzuziehen.

Vergewissern Sie sich in regelmäßigen Abständen (mindestens alle drei Monate), dass alle Produktkomponenten sicher sind.

Dieses Produkt ist nur zum Gebrauch in Innenräumen vorgesehen und sollte nicht im Freien verwendet werden.

Überschreiten Sie nicht die Tragkraft dieses Produkts. Ein Überladen dieses Produkts kann zu Verletzungen oder zur Beschädigung des Produkts führen. Dieses Produkt ist für die nachstehende Tragkraft ausgelegt: 5 kg.

Vergewissern Sie sich, dass das Produkt auf der Fläche, auf der Sie es aufstellen, das kombinierte Gewicht der Geräte sowie der gesamten Hardware und aller Komponenten sicher tragen kann.

注意

必ず取扱説明書に従って本製品の組み立てを行ってください。

本製品を組み立てる際、ネジを締めすぎないようにして下さい。

少なくとも3ヶ月に1度の頻度で、定期的に製品コンポーネントに緩みがないか点検して下さい。

本製品は、室内での使用を想定しています。戸外では使用しないで下さい。

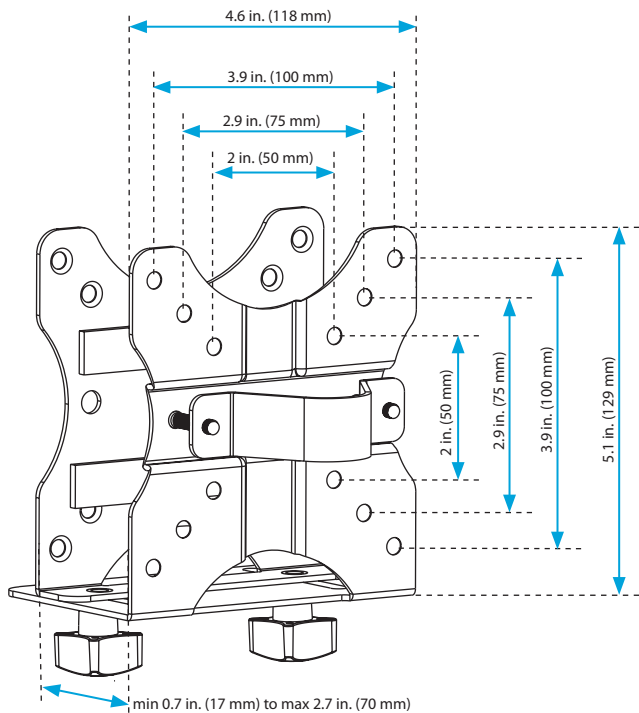
本製品で定められた最大積載重量を超えないようにして下さい。最大積載重量をオーバーした場合、怪我をする恐れや器物破損の恐れがあります。本製品は、以下の重量まで対応できます: 5 kg。

使用する床面および取り付け金具とパーツの総重量に本製品の設置面が耐えうる構造になっているか確認して下さい。

Table of Contents

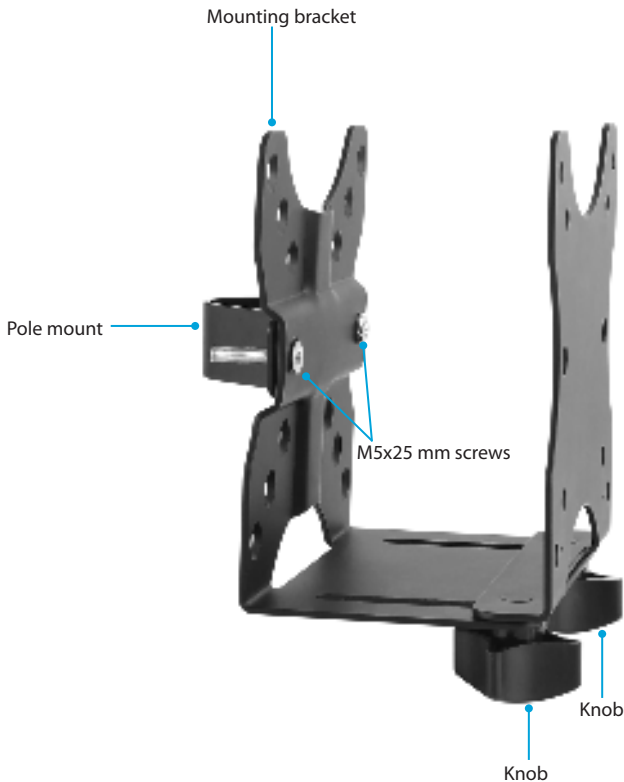
Warnings	i
Product dimensions.....	1
Product diagram	2
Package contents	3
Introduction.....	4
Mount to a pole	5
Requirements.....	5
Assemble the ACCSMNT.....	5
Mount under a desk or table	10
Requirements.....	10
Assemble the ACCSMNT.....	10
Mount to a VESA monitor mount.....	16
Requirements.....	16
Assemble the ACCSMNT.....	16
Technical support.....	21
Warranty information	21

Product dimensions



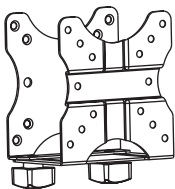
Product diagram

Pole mount setup pictured



Package contents

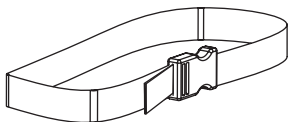
1



Mounting bracket

Qty: One

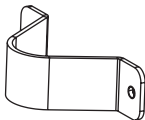
2



Adjustable strap

Qty: One

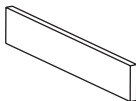
3



Pole mount

Qty: One

4



Pads

Qty: Six

5



M5x25 mm screws

Qty: Two

6



M4x12 mm screws

Qty: Eight

7



M4 nuts
Qty: Four

8



Screws
Qty: Four

9



Washers
Qty: Four

10



Instruction manual
Qty: One

Introduction

The ACCSMNT is compatible with 75x75 and 100x100 VESA monitor mount configurations.

You can mount the ACCSMNT to a pole, to a VESA monitor mount, or under a desk or table. Select the mounting option that works best for your setup and follow the corresponding instructions to assemble and mount the ACCSMNT.

The ACCSMNT can be mounted to a pole that is approximately 30 mm in diameter.

Mount to a pole

Requirements

- Phillips type screwdriver

Requirements are subject to change. For the latest requirements, please visit www.StarTech.com/ACCSMNT.

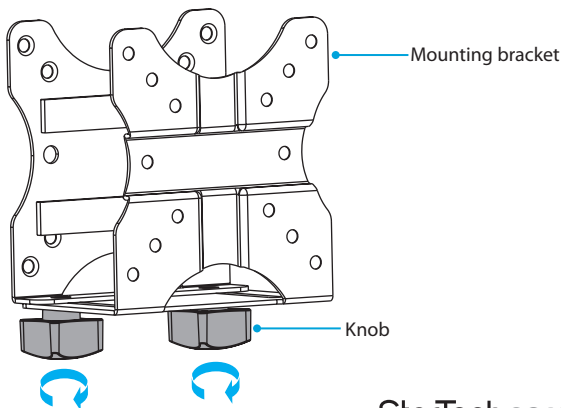
Assemble the ACCSMNT

Caution! Do not exceed the weight capacity of this product. Overloading this product might result in injury or property damage. This product can support the following weight: 11 lb. (5 kg).

Caution! Make sure that the surface that you are attaching this product to can safely support the combined weight of the equipment and all of the hardware and components.

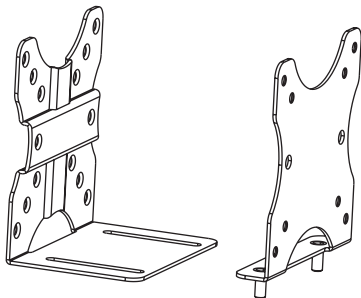
1. Turn the knobs on the mounting bracket clockwise and remove them from the mounting bracket. (*figure 1*)

figure 1



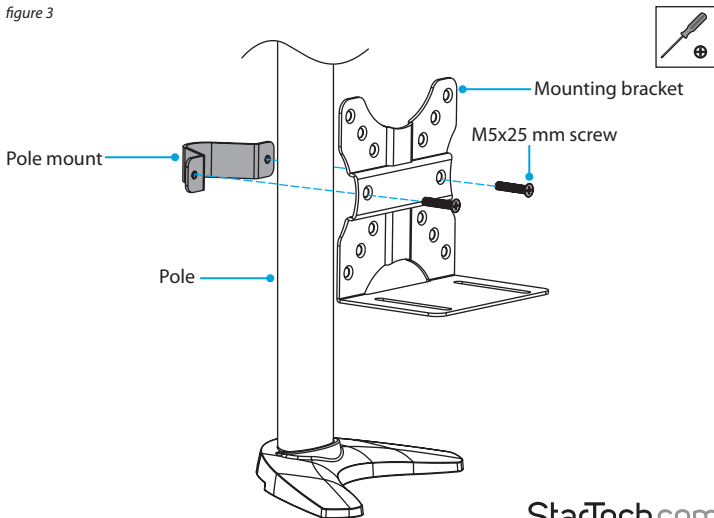
2. Pull the two halves of the mounting bracket apart. (figure 2)

figure 2



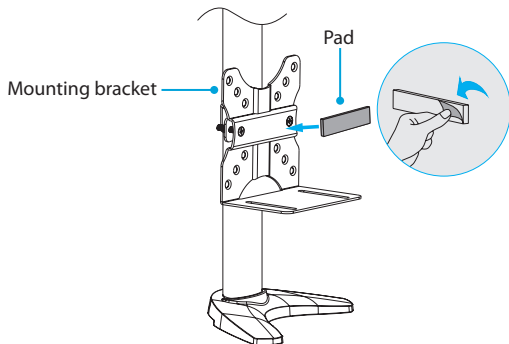
3. Place the pole mount around the back of a pole.
4. Place the half of the mounting bracket with the extended platform at the front of the pole, and align the holes on the pole mount with the two holes on the raised part of the mounting bracket.
5. Use a screwdriver to insert the two M5x25 mm screws through the mounting bracket and into the pole mount, and then tighten the screws. (figure 3)

figure 3



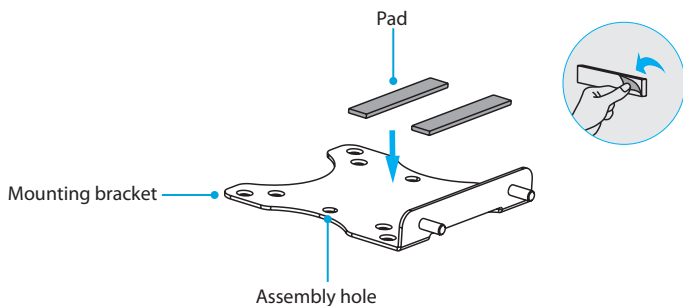
- Remove the adhesive backing from one of the pads and stick it to the raised platform on the half of the mounting bracket with the extended platform. If necessary, attach additional pads in the same location to accommodate the size or shape of the equipment that you're mounting. (figure 4)

figure 4



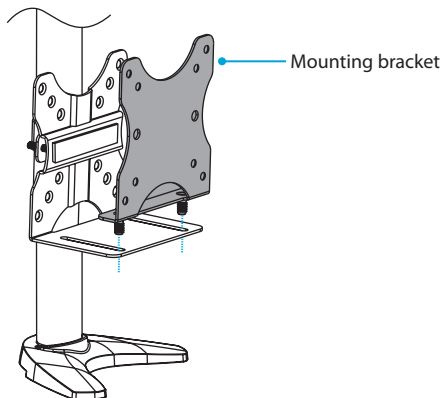
- Stick two of the pads to the other half of the mounting bracket. If necessary, attach additional pads to accommodate the size or shape of the equipment that you're mounting. (figure 5)

figure 5



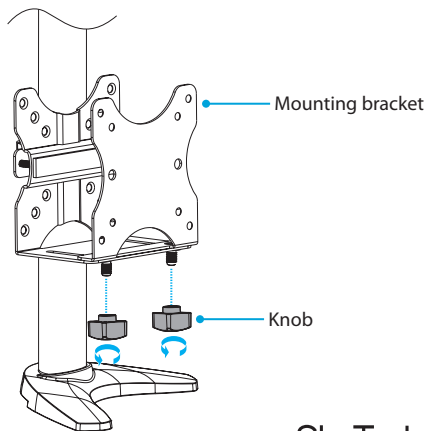
8. Insert the mounting bracket into the slots on the other half of the mounting bracket. (*figure 6*)

figure 6



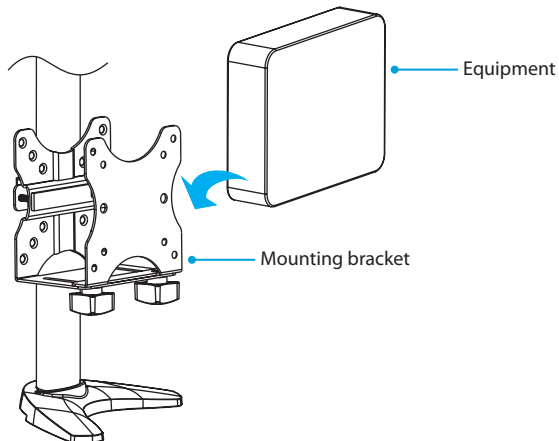
9. Thread the knobs onto the bolts on the bottom of the mounting bracket. Do not tighten the knobs at this point in the assembly. (*figure 7*)

figure 7



10. Carefully slide your equipment onto the mounting bracket. (figure 8)

figure 8

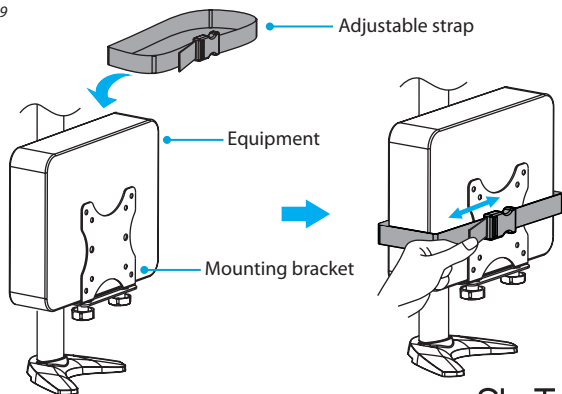


11. Slide the mounting bracket until it's positioned tight against the equipment.

12. Tighten the knobs on the bottom of the mounting bracket.

13. Place the adjustable strap around the mounting bracket, and adjust the strap so that it fits tightly around the equipment. (figure 9)

figure 9



Mount under a desk or table

Requirements

- Phillips type screwdriver

Note: The provided mounting hardware may not be appropriate for the mounting surface that you're using. If that is the case, you will need to use different mounting hardware than what was provided.

Requirements are subject to change. For the latest requirements, please visit www.StarTech.com/ACCSMNT.

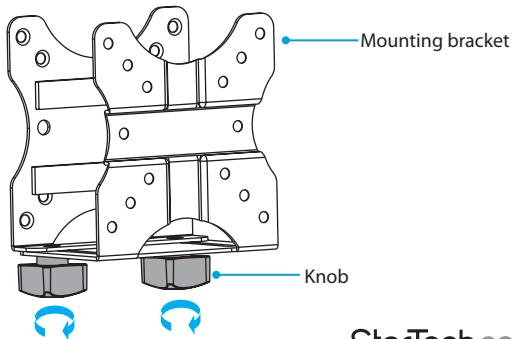
Assemble the ACCSMNT

Caution! Do not exceed the weight capacity of this product. Overloading this product might result in injury or property damage. This product can support the following weight: 11 lb. (5 kg).

Caution! Make sure that the surface that you are attaching this product to can safely support the combined weight of the equipment and all of the hardware and components.

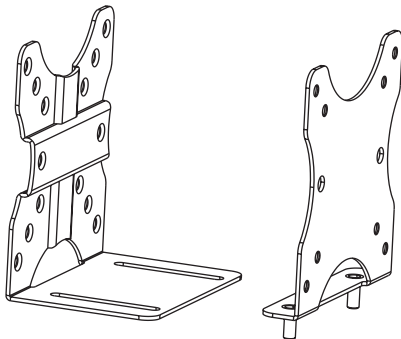
1. Turn the knobs on the mounting bracket clockwise and remove them from the mounting bracket. (*figure 10*)

figure 10



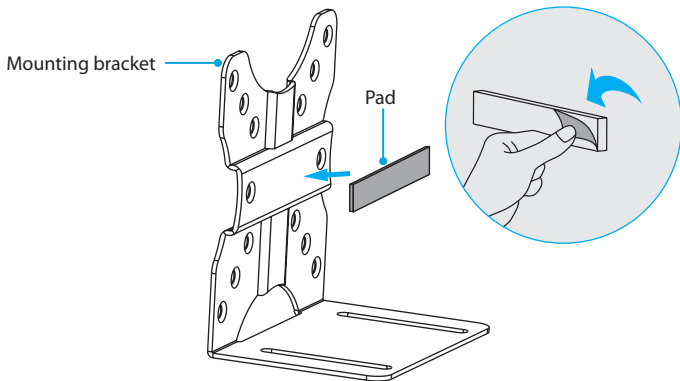
2. Pull the two halves of the mounting bracket apart. (figure 11)

figure 11



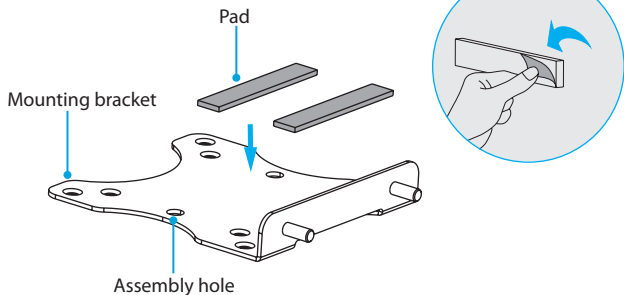
3. Remove the adhesive backing from one of the pads and stick the pad to the raised platform on the half of the mounting bracket with the extended platform. If necessary, attach additional pads in the same location to accommodate the size or shape of the equipment that you're mounting. (figure 12)

figure 12



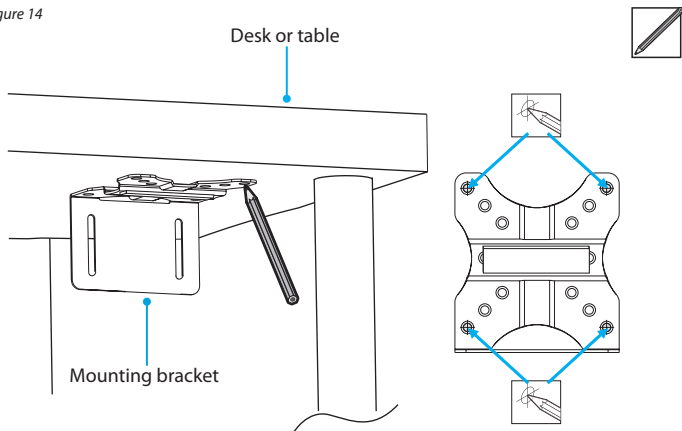
4. Stick two of the pads to the other half of the mounting bracket. If necessary, attach additional pads to accommodate the size or shape of the equipment that you're mounting. (figure 13)

figure 13



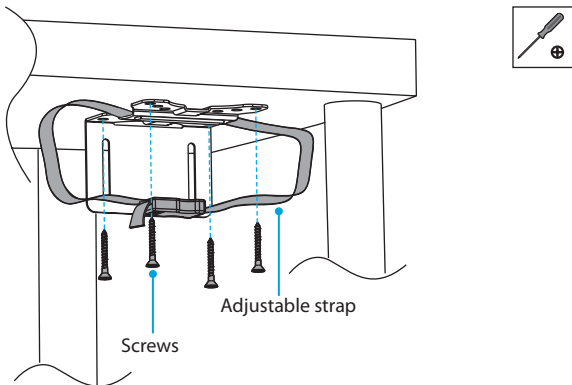
5. Use the four mounting holes in the half of the mounting bracket with the extended platform as a template and mark the place under the desk or table where you intend to mount the ACCSMNT. (figure 14)

figure 14



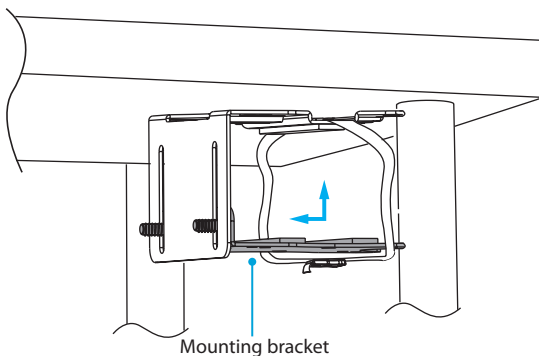
6. Position the adjustable strap behind the half of the mounting bracket with the extended platform and line up the holes on the mounting bracket with the marks that you made in the previous step.
7. Use a screwdriver to insert the screws through the mounting bracket and into the desk or table, and then tighten the screws. (figure 15)

figure 15



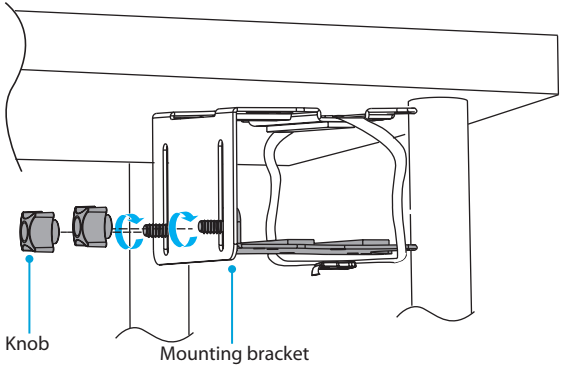
8. Insert the mounting bracket into the slots on the other half of the mounting bracket. (figure 16)

figure 16



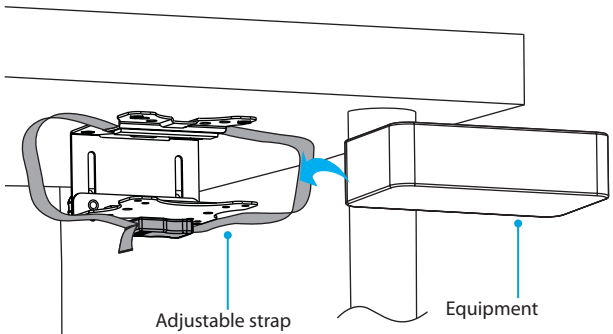
9. Thread the knobs onto the bolts on the bottom of the mounting bracket. Do not tighten the knobs at this point in the assembly. (figure 17)

figure 17



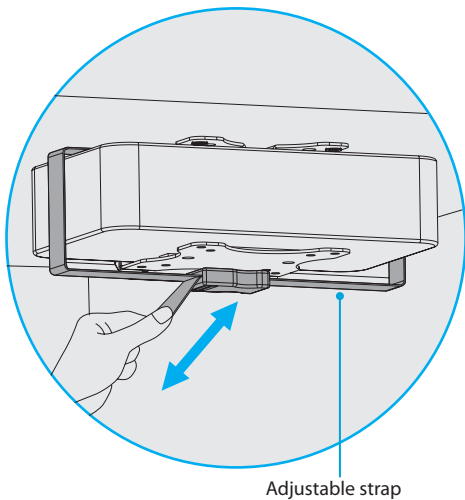
10. Carefully slide your equipment onto the mounting bracket. (figure 18)

figure 18



11. Slide the mounting bracket until it's positioned tight against the equipment.
12. Tighten the knobs on the mounting bracket.
13. Adjust the adjustable strap so that it fits tightly around the mounted equipment.
(figure 19)

figure 19



Mount to a VESA monitor mount

Requirements

- Phillips type screwdriver
- Wrench

Requirements are subject to change. For the latest requirements, please visit www.StarTech.com/ACCSMNT.

The ACCSMNT is compatible with 75x75 and 100x100 VESA monitor mount configurations.

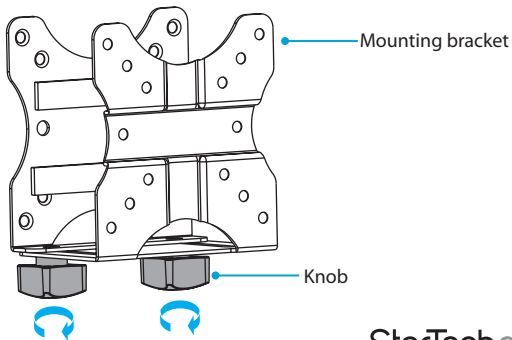
Assemble the ACCSMNT

Caution! Do not exceed the weight capacity of this product. Overloading this product might result in injury or property damage. This product can support the following weight: 11 lb. (5 kg).

Caution! Make sure that the mounting surface that you are attaching this product to can safely support the combined weight of the equipment and all of the hardware and components.

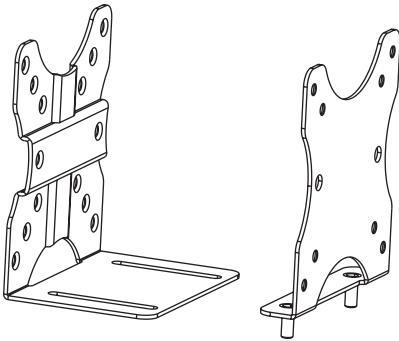
1. Turn the knobs on the mounting bracket clockwise and remove them from the mounting bracket. (*figure 20*)

figure 20



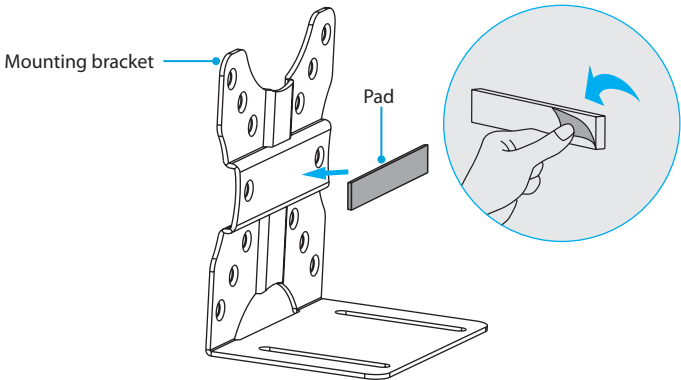
2. Pull the two halves of the mounting bracket apart. (figure 21)

figure 21



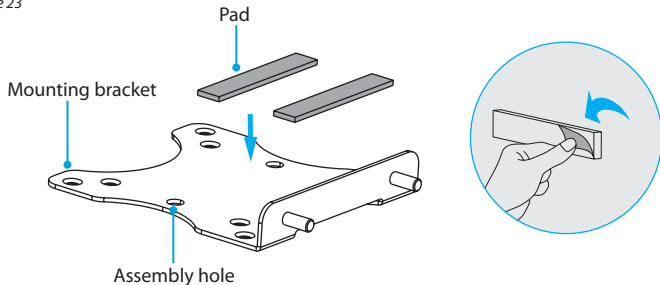
3. Remove the adhesive backing from one of the pads and stick the pad to the raised platform on the half of the mounting bracket with the extended platform. If necessary, attach additional pads in the same location to accommodate the size or shape of the equipment that you're mounting. (figure 22)

figure 22



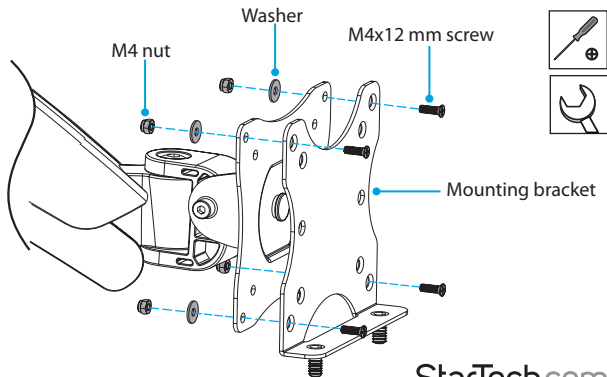
4. Stick two of the pads to the other half of the mounting bracket. If necessary, attach additional pads to accommodate the size or shape of the equipment that you're mounting. (figure 23)

figure 23



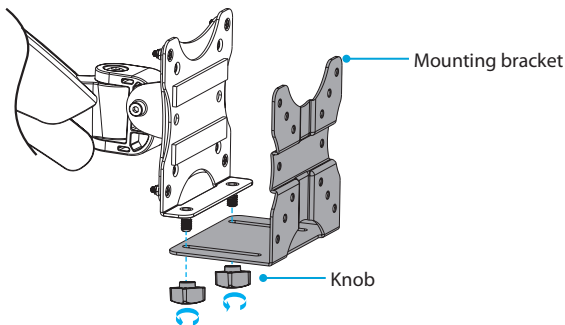
5. Place the half of the mounting bracket with the shorter platform over the VESA monitor mount so that the holes on the bracket line up with the holes on the mount.
6. Insert the four M4x12 mm screws through the mounting bracket and the VESA monitor mount.
7. Slide the washers over the ends of the M4x12 mm screws.
8. Use a wrench and attach the M4 nuts onto the ends of the screws and tighten the nuts in place.
9. If necessary, use a screwdriver and/or wrench to tighten the screws. (figure 24)

figure 24



10. Place the adjustable strap in the recessed area on the half of the mounting bracket with the extended platform, and line up the mounting holes on the mounting bracket with the mounting holes on the back of your monitor.
11. Insert the M4x12 mm screws through the mounting bracket and into the monitor.
12. Insert the bolts on the mounting bracket into the slots on the mounting bracket and monitor assembly.
13. Thread the knobs onto the bolts on the bottom of the mounting bracket. Do not tighten the knobs at this point in the assembly. (figure 25)

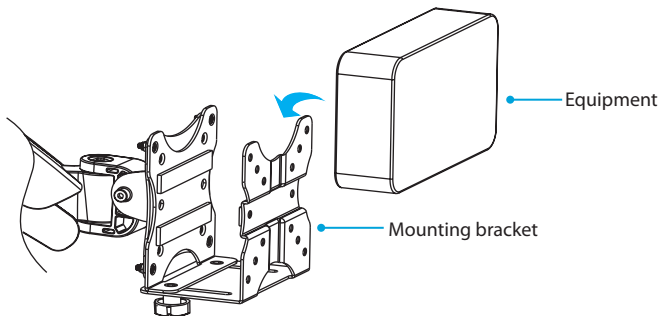
figure 25



Note: The monitor bracket is pictured without the monitor attached for illustration purposes only.

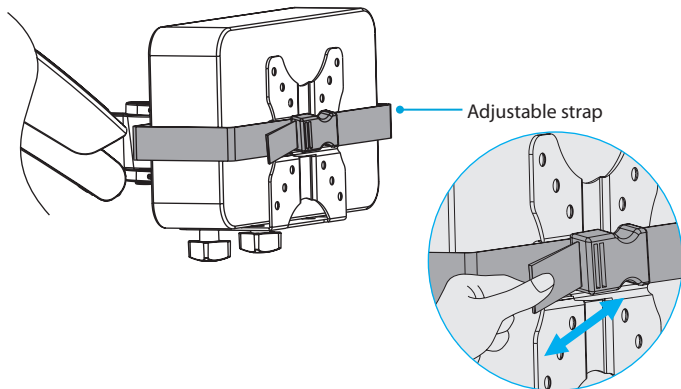
14. Carefully slide your equipment onto the mounting bracket. (figure 26)

figure 26



- Adjust the knobs on the mounting bracket.
- Place the adjustable strap around the equipment and the mounting bracket, and adjust the strap so that it fits tightly around the mounted equipment. (figure 27)

figure 27



Technical support

StarTech.com's lifetime technical support is an integral part of our commitment to provide industry-leading solutions. If you ever need help with your product, visit www.startech.com/support and access our comprehensive selection of online tools, documentation, and downloads.

For the latest drivers/software, please visit www.startech.com/downloads

Warranty information

This product is backed by a two-year warranty.

StarTech.com warrants its products against defects in materials and workmanship for the periods noted, following the initial date of purchase. During this period, the products may be returned for repair, or replacement with equivalent products at our discretion. The warranty covers parts and labor costs only. StarTech.com does not warrant its products from defects or damages arising from misuse, abuse, alteration, or normal wear and tear.

Limitation of liability

In no event shall the liability of StarTech.com Ltd. and StarTech.com USA LLP (or their officers, directors, employees or agents) for any damages (whether direct or indirect, special, punitive, incidental, consequential, or otherwise), loss of profits, loss of business, or any pecuniary loss, arising out of or related to the use of the product exceed the actual price paid for the product. Some states do not allow the exclusion or limitation of incidental or consequential damages. If such laws apply, the limitations or exclusions contained in this statement may not apply to you.

Hard-to-find made easy. At StarTech.com, that isn't a slogan. It's a promise.

StarTech.com is your one-stop source for every connectivity part you need. From the latest technology to legacy products — and all the parts that bridge the old and new — we can help you find the parts that connect your solutions.

We make it easy to locate the parts, and we quickly deliver them wherever they need to go. Just talk to one of our tech advisors or visit our website. You'll be connected to the products you need in no time.

Visit www.startech.com for complete information on all StarTech.com products and to access exclusive resources and time-saving tools.

StarTech.com is an ISO 9001 Registered manufacturer of connectivity and technology parts. StarTech.com was founded in 1985 and has operations in the United States, Canada, the United Kingdom and Taiwan servicing a worldwide market.