
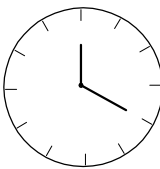

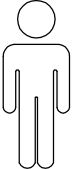
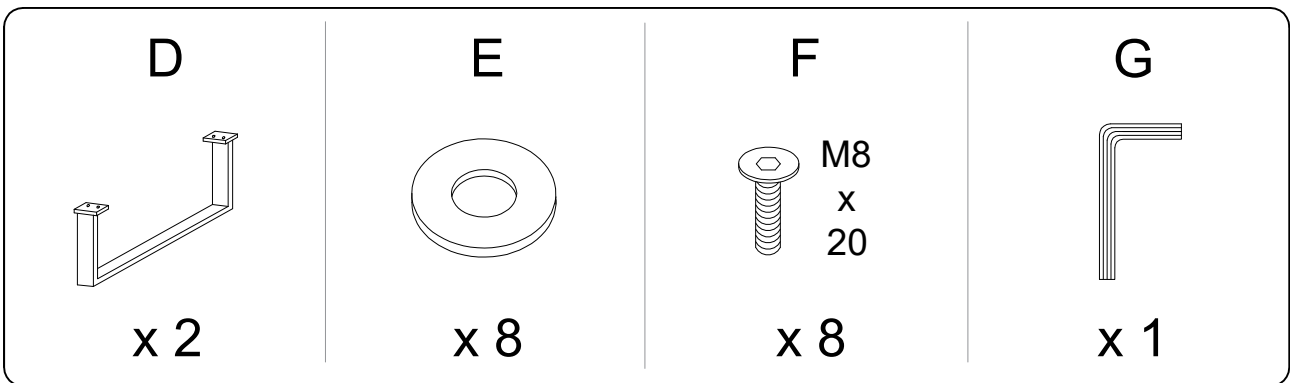
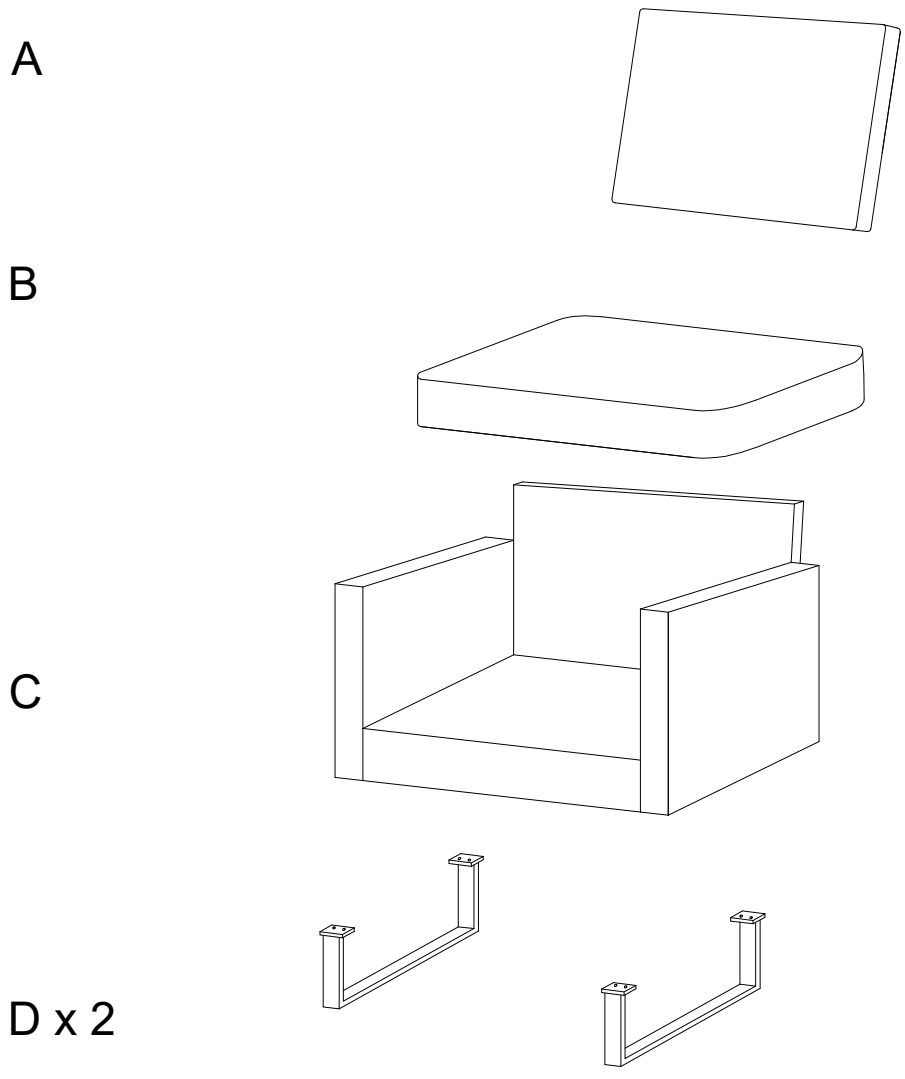
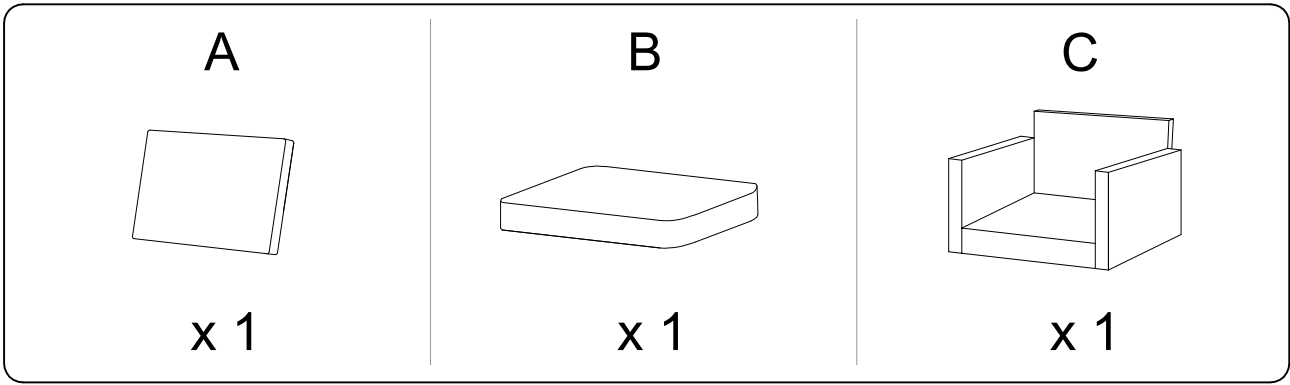


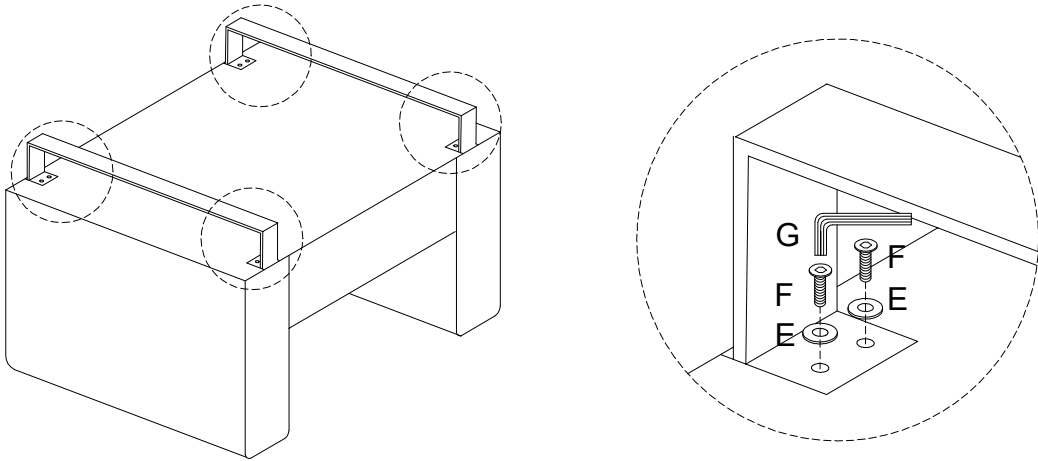
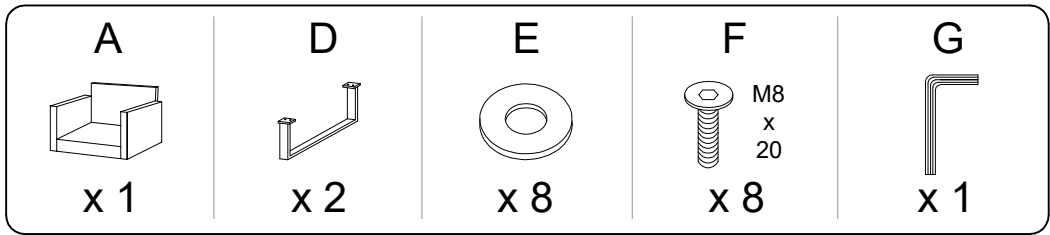
Assembly instructions for the chair, including safety warnings, time estimate, and person count.

Warning 1: Do not use a power drill on the corner brackets.   **20'**

Warning 2: Do not use a power drill on the seat base.   **1**



1



2

