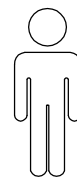
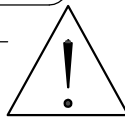
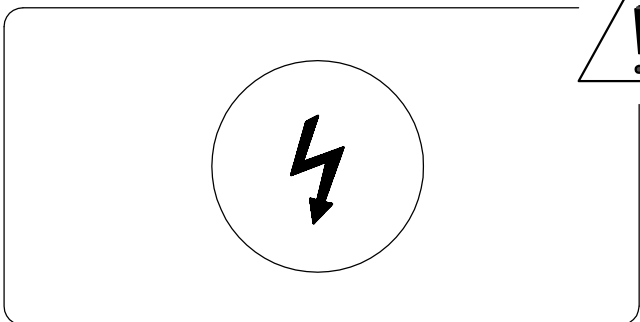
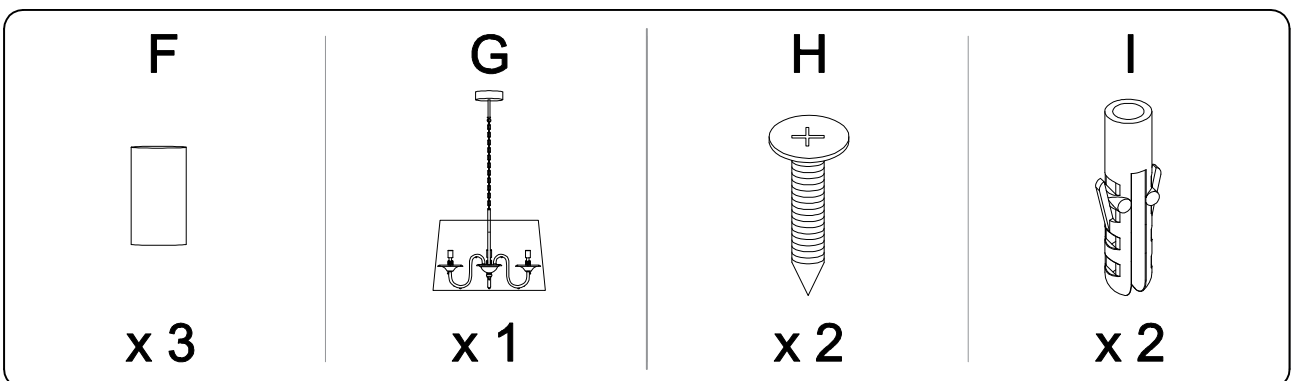
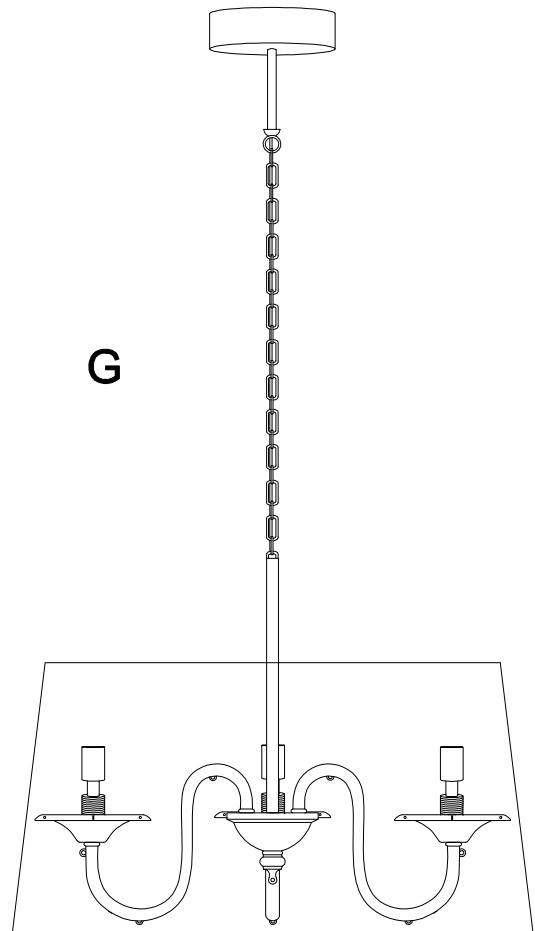
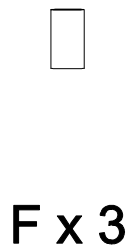
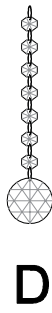
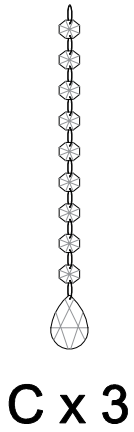
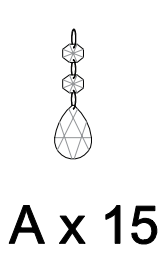
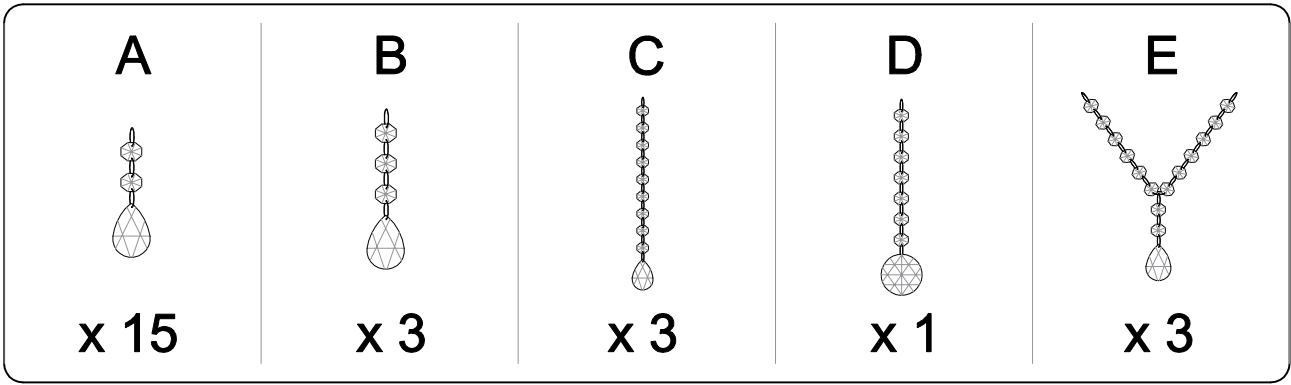


40'

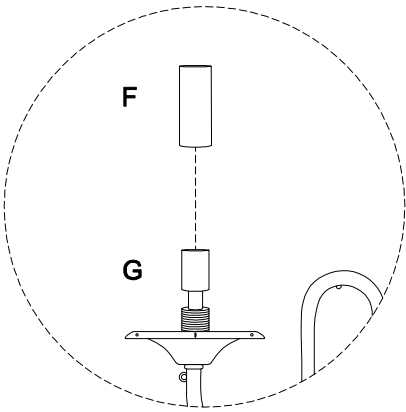
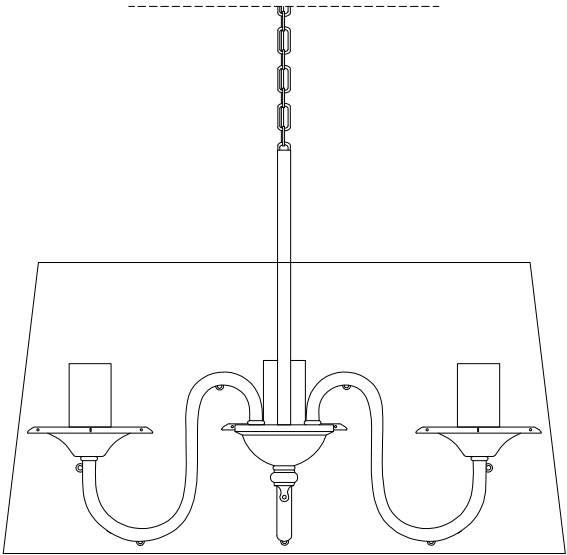
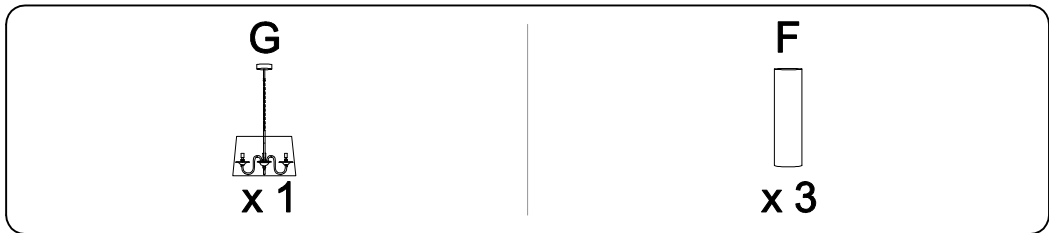


1

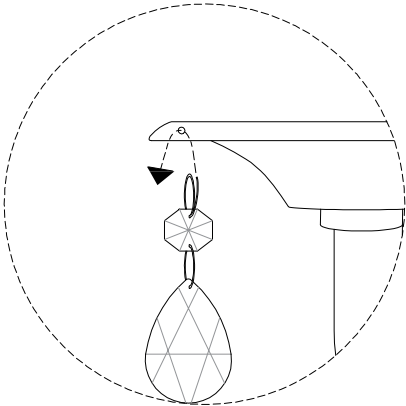
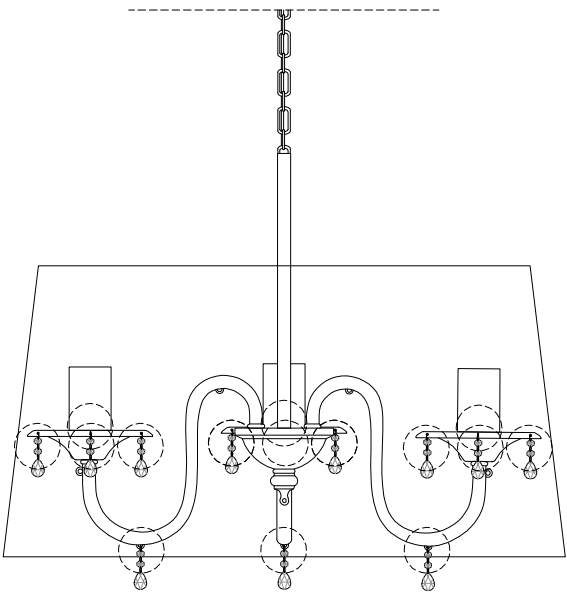
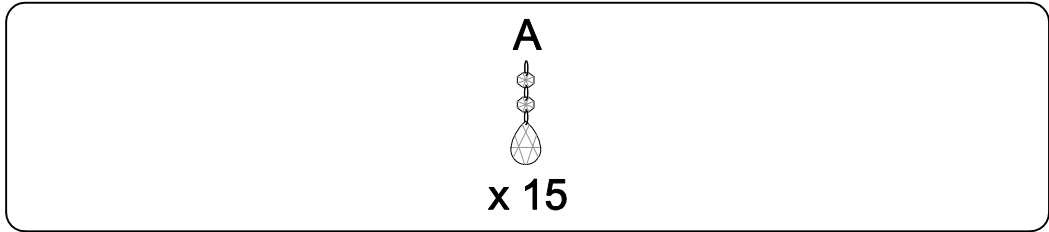
1/6



1

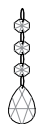


2

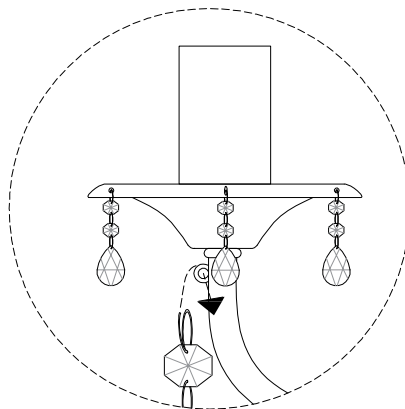
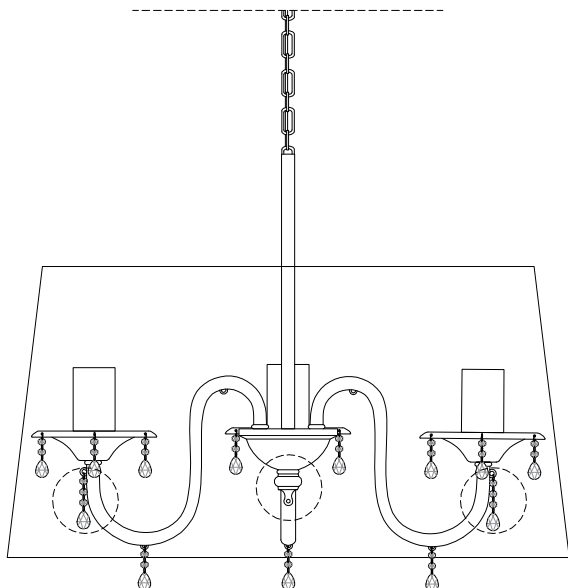


3

B



x 3

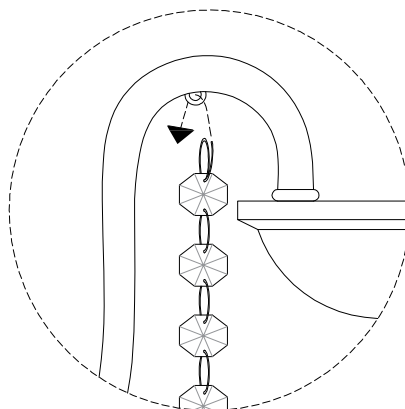
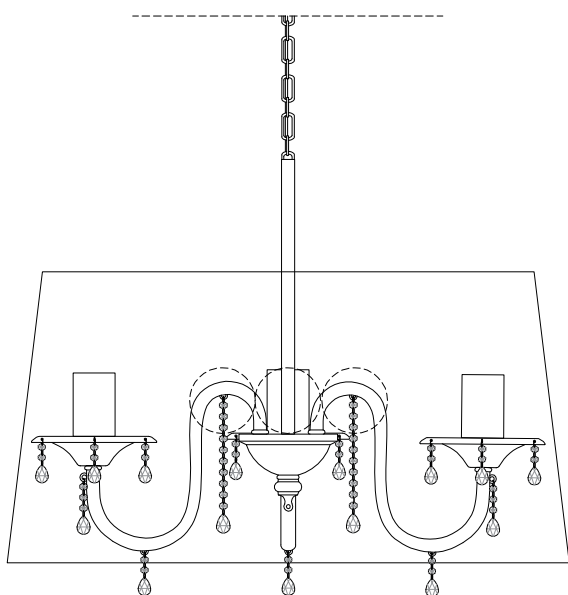


4

C



x 3

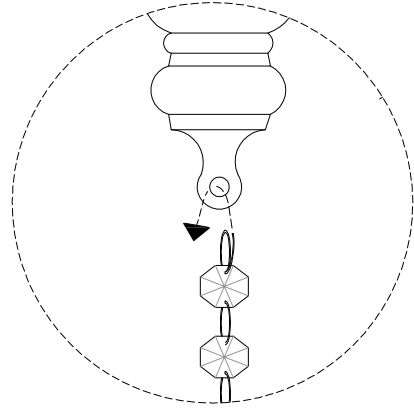
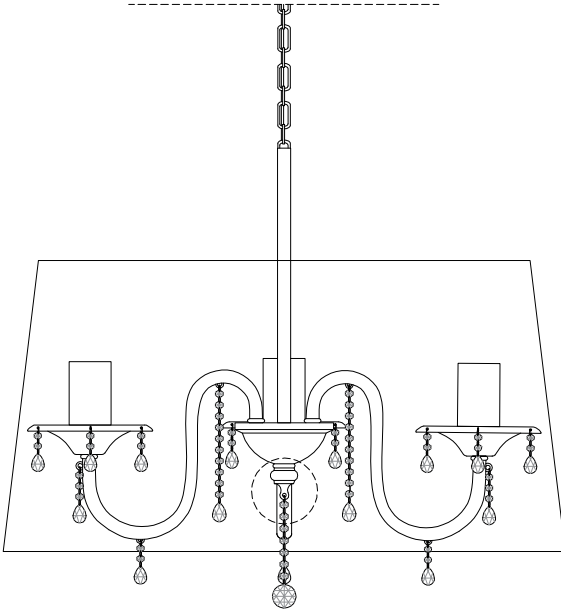


5

D



x 1

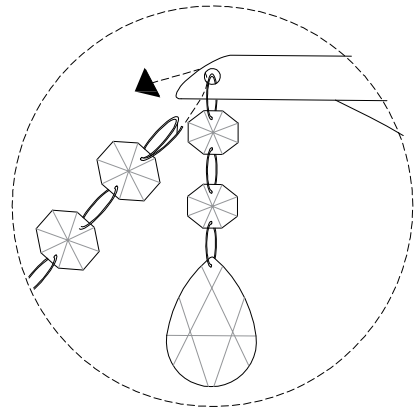
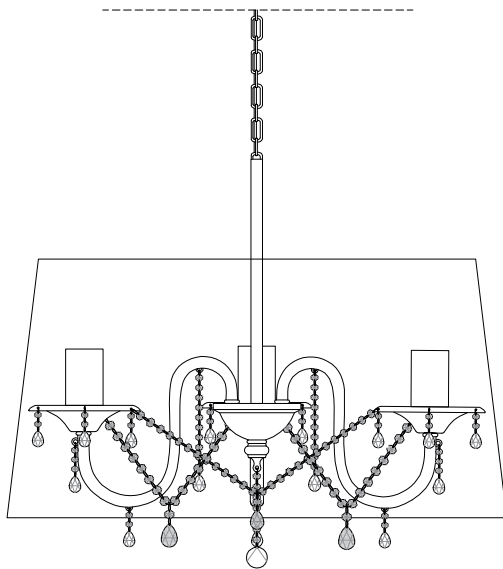


6

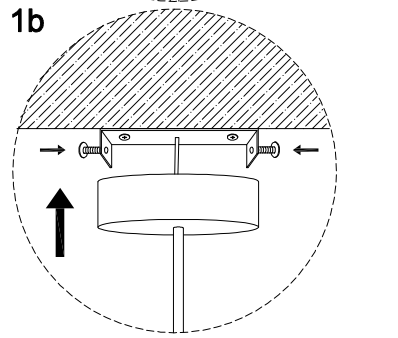
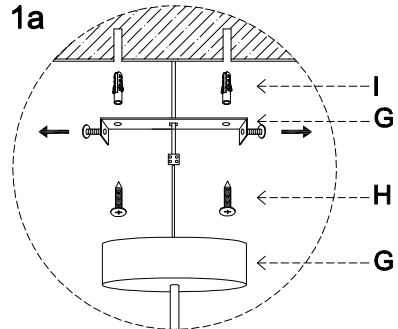
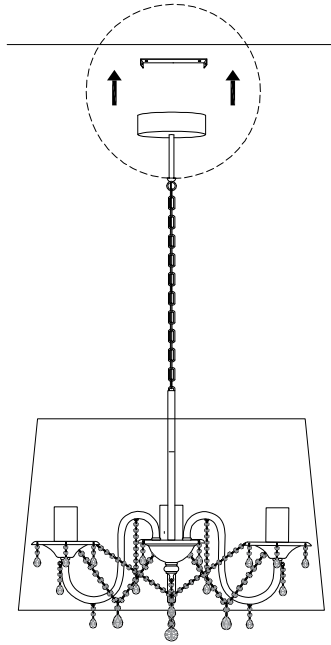
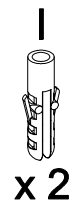
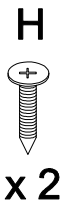
E



x 3



7



8

