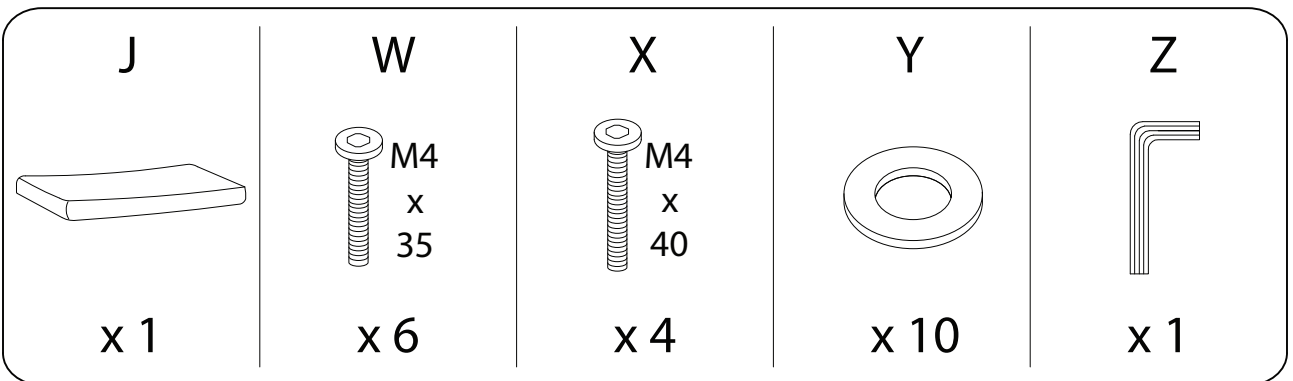
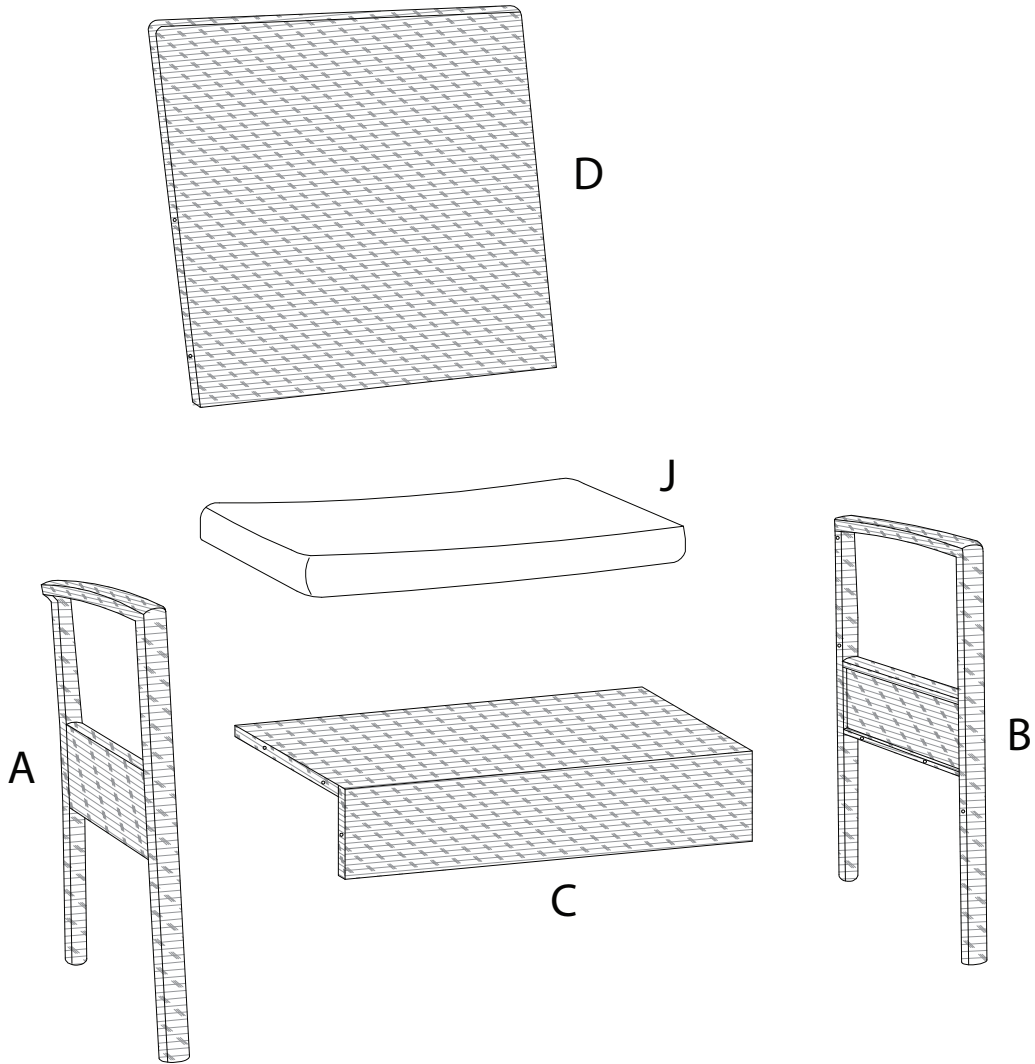
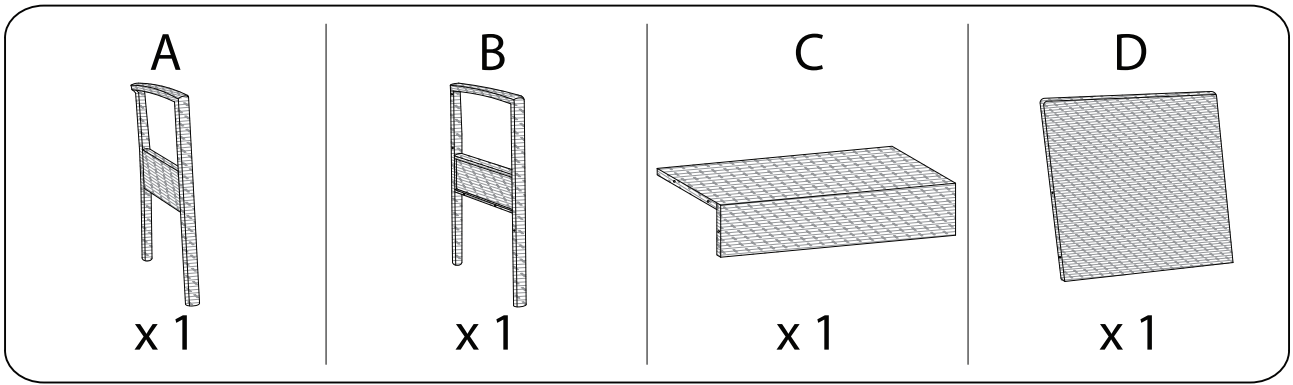
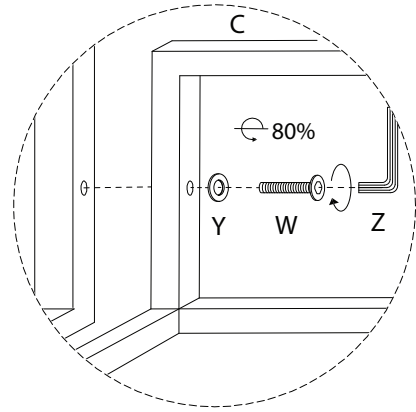
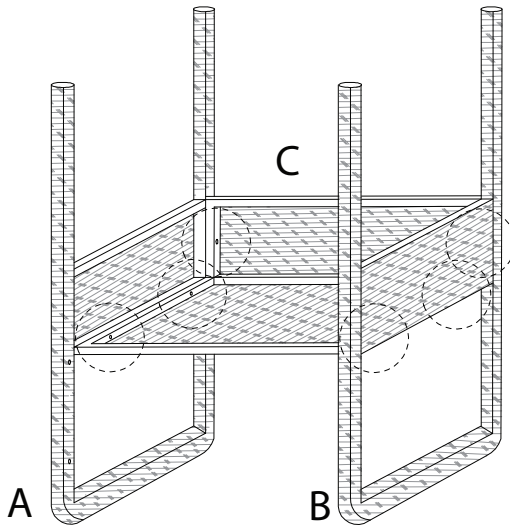
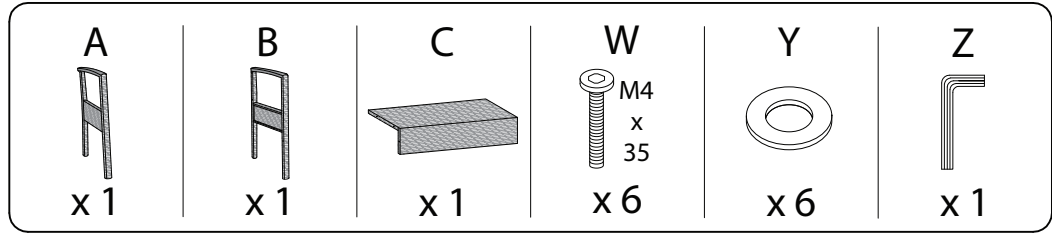


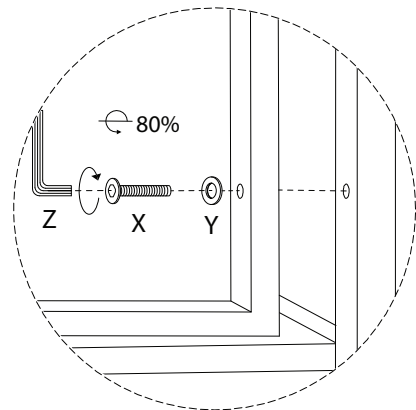
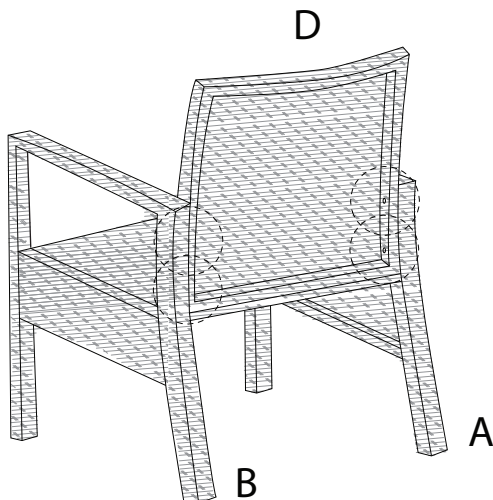
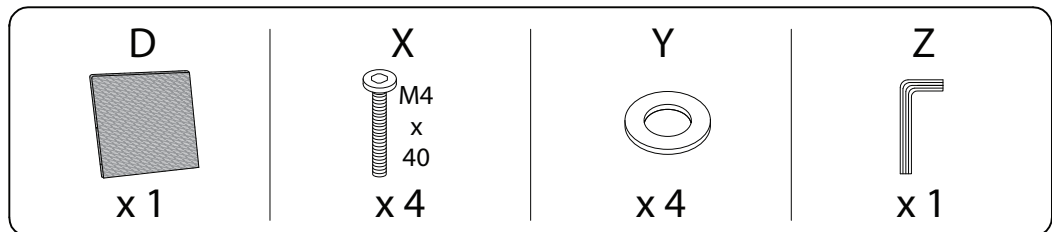
A x 2



1

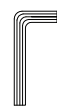


2

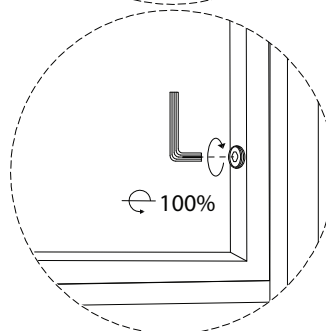
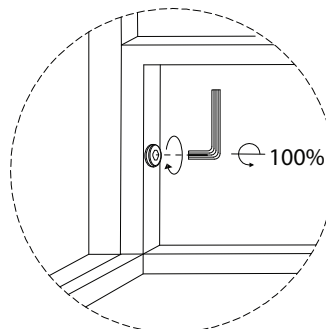
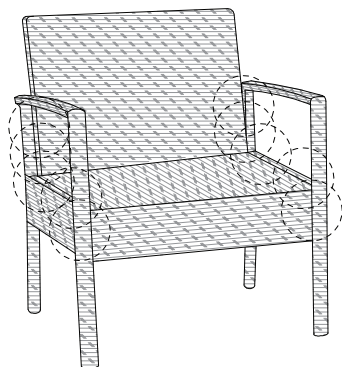


3

Z



x 1

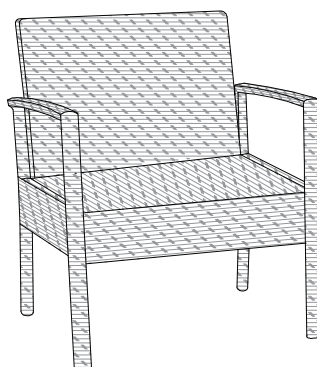
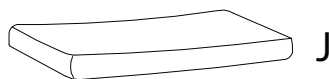


4

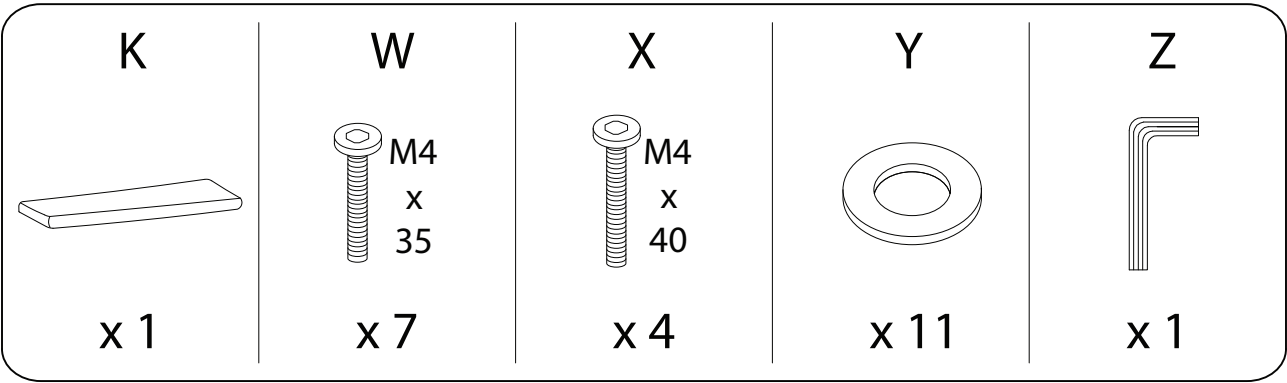
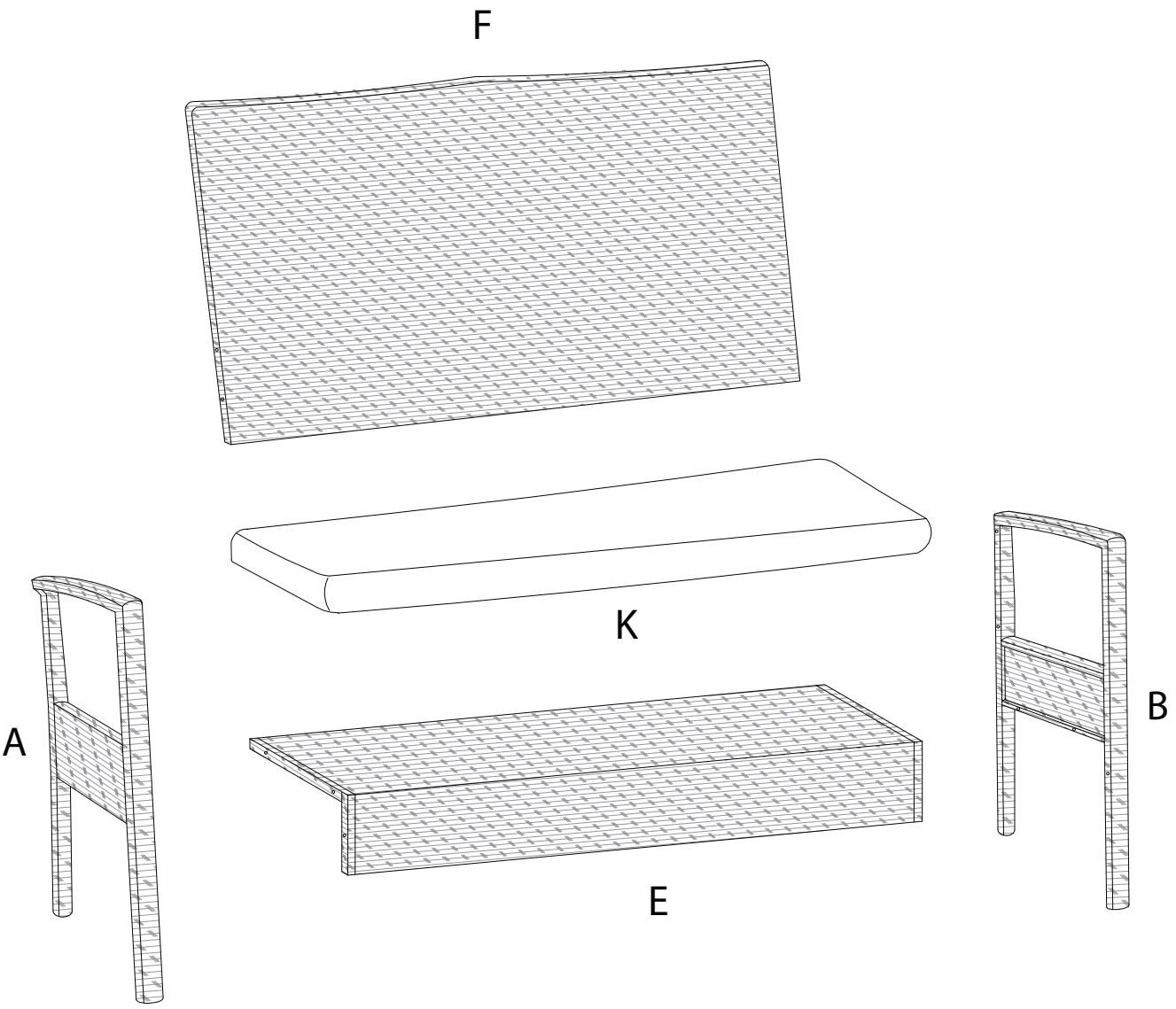
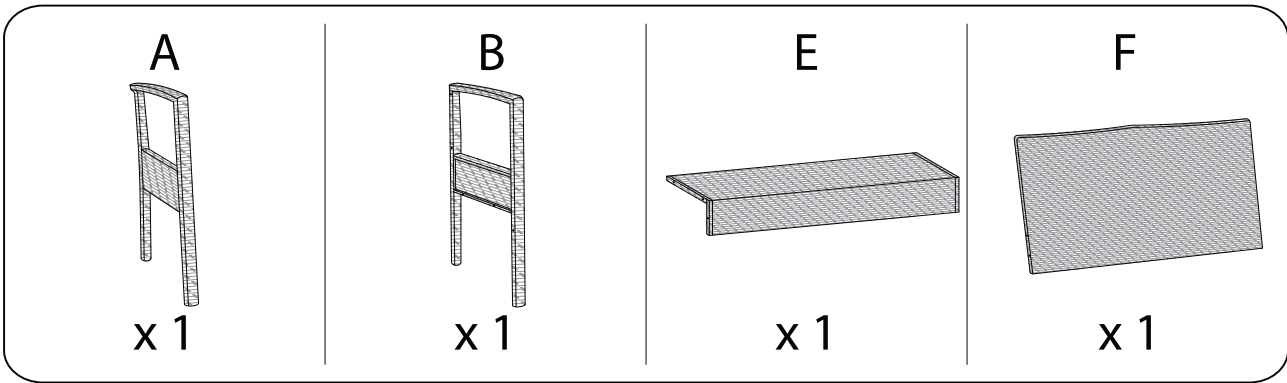
J



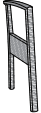
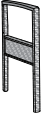

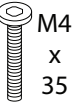

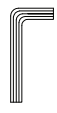
x 1

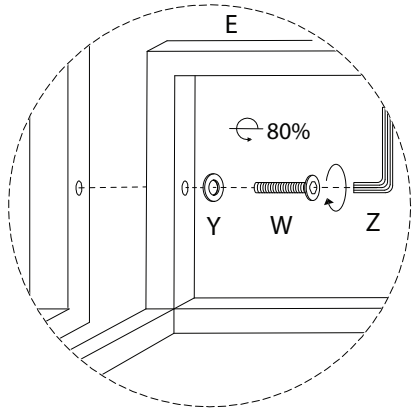
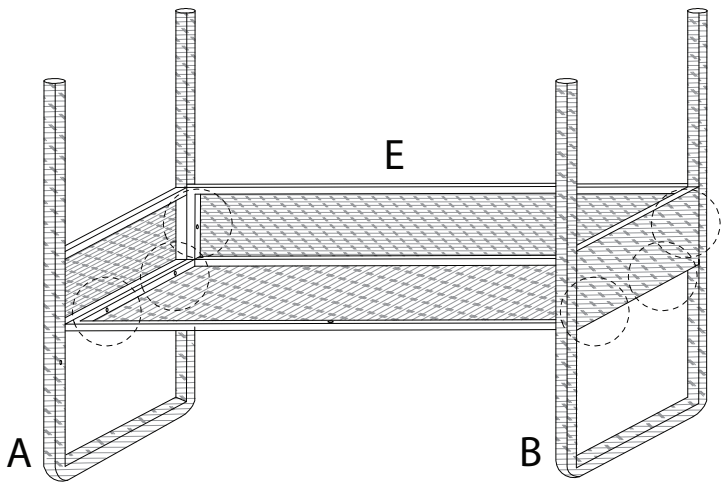


B

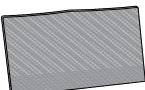


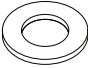
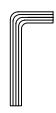


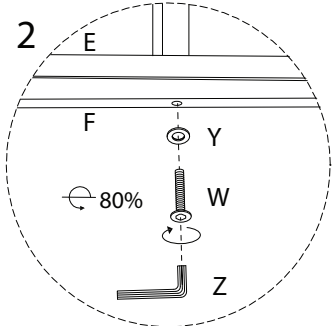
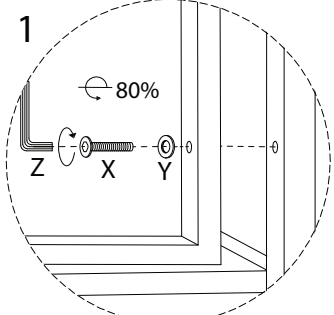
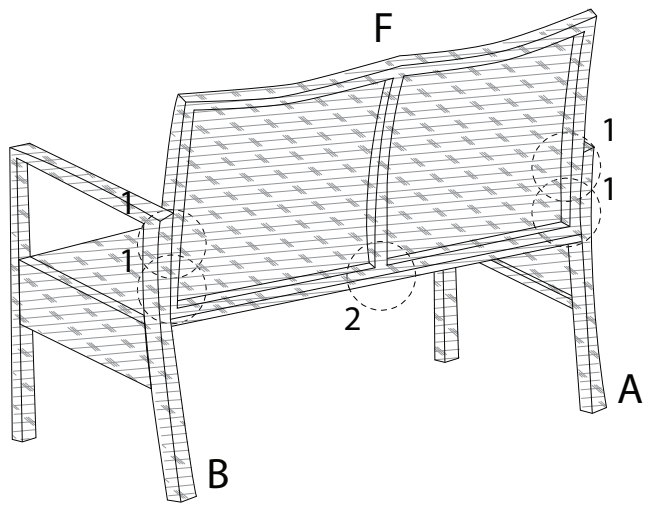
1

A  x 1	B  x 1	E  x 1	W  x 6	Y  x 6	Z  x 1
---	---	---	--	---	---

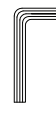


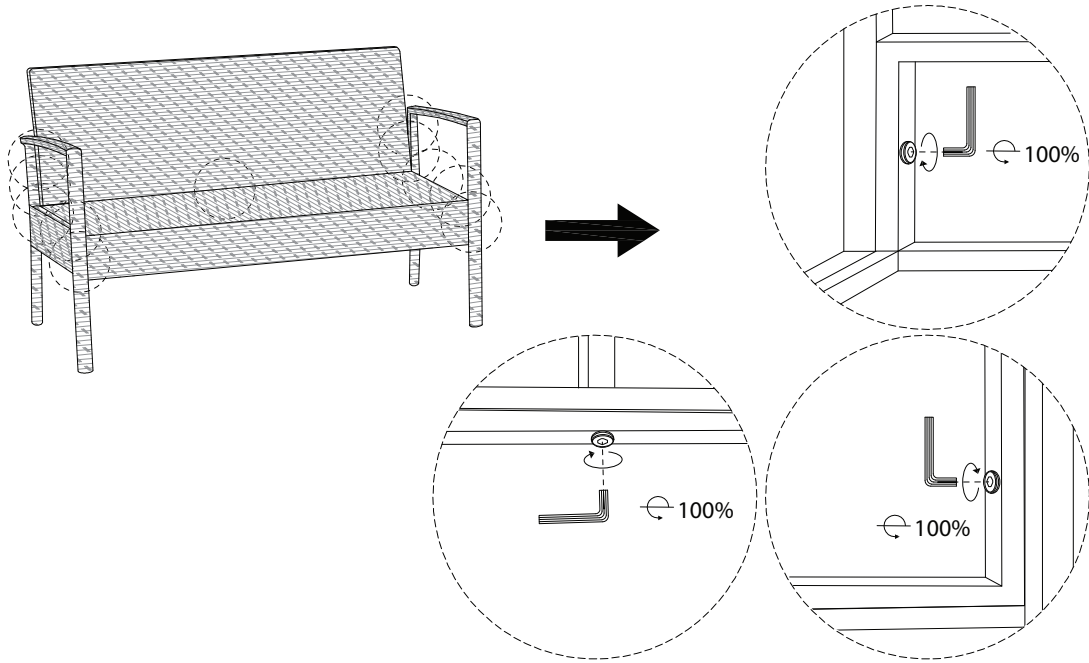
2

F  x 1	W  x 1	X  x 4	Y  x 5	Z  x 1
---	---	---	---	---

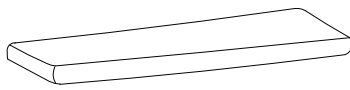


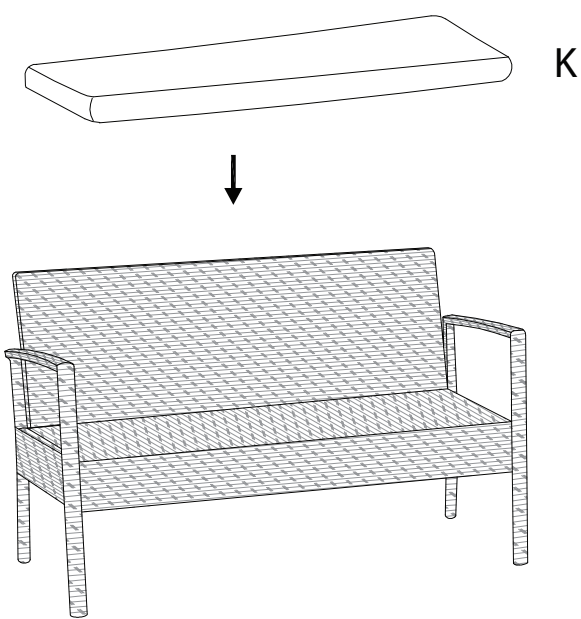
3

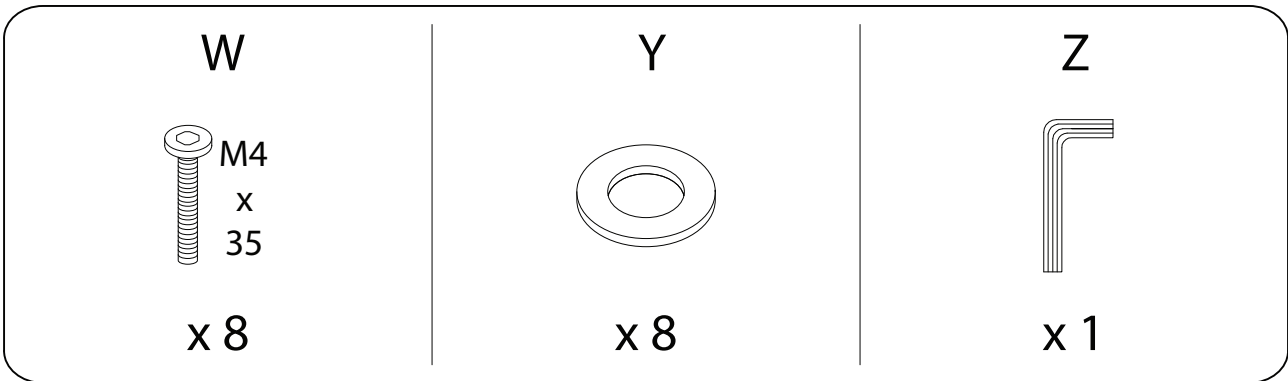
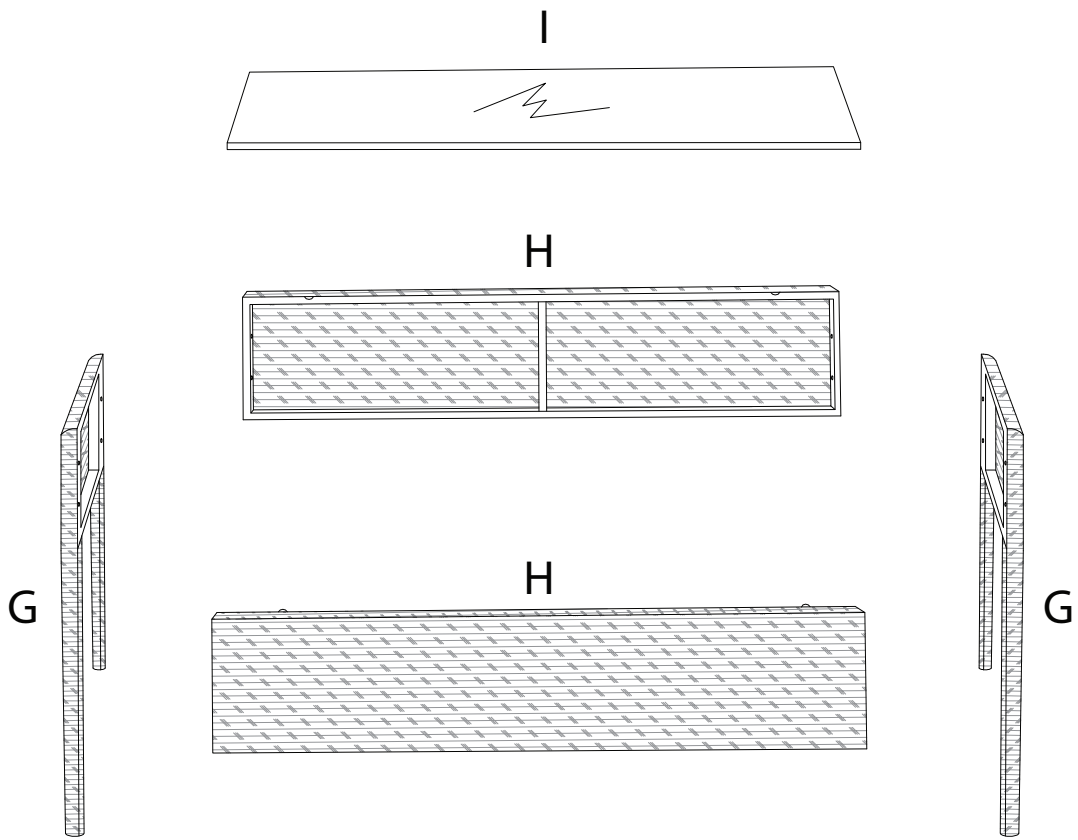
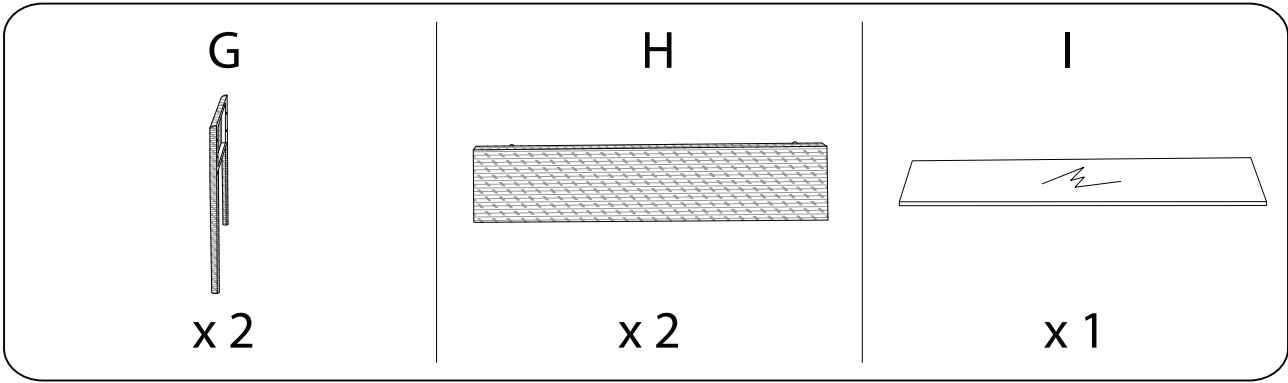
Z

x 1



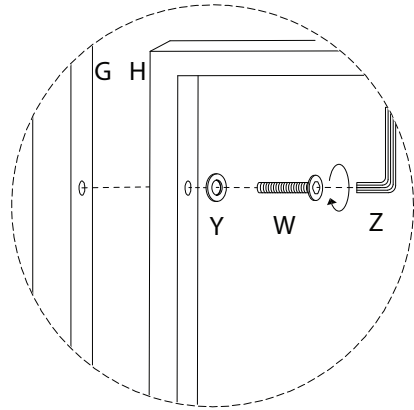
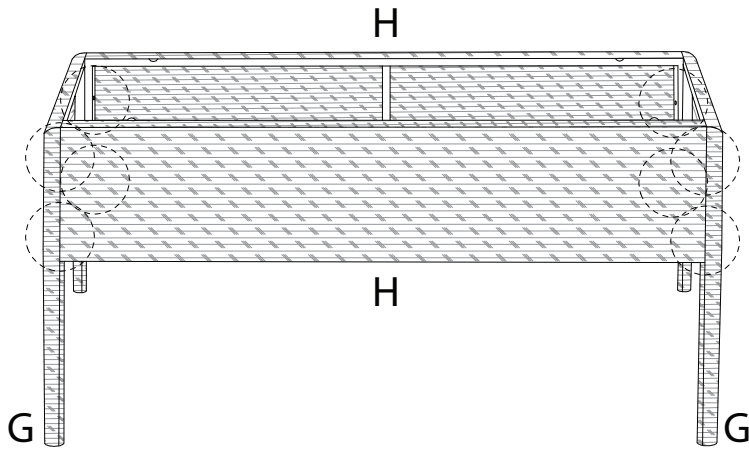
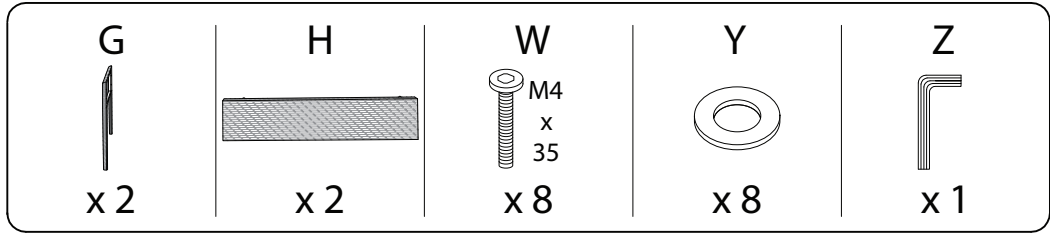
4

K

x 1





1



2

