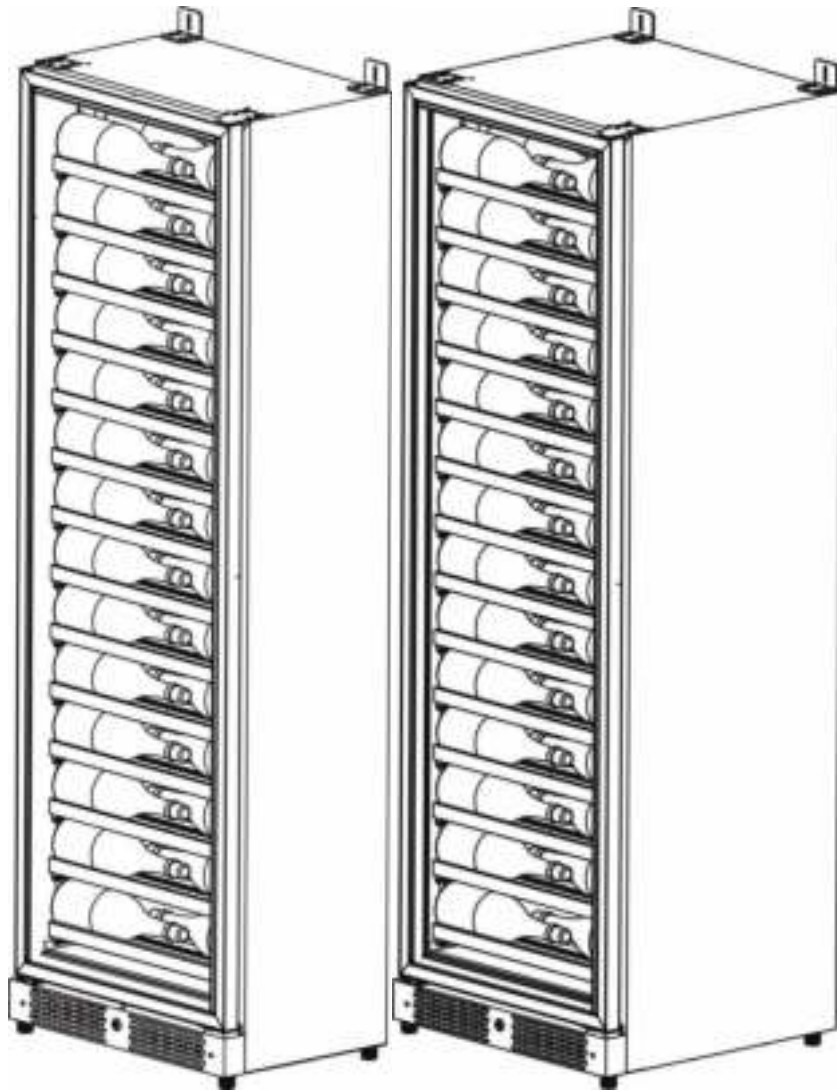


# WINE COOLER USER GUIDE



**PeVino – PBI58S**

**PeVino – PBI100S**

**PeVino – PBI58D**

**PeVino – PBI100D**

(Dansk: s. 22, Deutsch: s. 43)

[www.pevino.com](http://www.pevino.com)



**THANK YOU FOR PURCHASING A PEVINO WINE COOLER.**

**BEFORE USE, PLEASE READ AND FOLLOW ALL SAFETY RULES AND OPERATING INSTRUCTIONS.**

## **Safety Tips**

Before using this appliance, it must be properly positioned and installed as described in this manual, so please read carefully. To reduce the risk of fire, electrical shock or injury when using the appliance, follow these basic precautions.



- The wine cooler is designed to be fixed on the wall. If it is not fixed on the wall, the machine can easily tip over, resulting in personal injury or death.
- Plug into a grounded 3-prong outlet. Do not under any circumstances cut or remove the third ground prong from the power cord supplied, do not use an adapter, and do not use an extension cord.
- It is recommended that a separate circuit, serving only your appliance be used. Do not use outlets that can be turned off by a switch or pull chain.
- Never clean appliance parts with flammable fluids and do not store or use gasoline or other flammable vapors and liquids in the vicinity of this or any other appliance. The fumes can create a fire hazard or explosion.
- Unplug the appliance or disconnect power before cleaning or servicing. Failure to do so can result in electrical shock or death.
- Do not attempt to repair or replace any part of your appliance unless it is specifically recommended in this manual. All other servicing should be referred to a qualified technician.



- Use two or more people to move and install appliance. Failure to do so can result in back or other injury.
- To ensure proper ventilation for your appliance, the front of the unit must be completely unobstructed. Choose a well-ventilated area with temperatures above 10°C and below 38C. This unit must be installed in an area protected from the element, such as wind, rain, water spray or drips.
- The appliance should not be located next to ovens, grills or other high heat sources or in areas of extreme cold.



- The appliance must be installed in accordance with state and local codes. A standard electrical supply (220 V-240V AC only, 50 Hz), properly grounded in accordance with the National Electrical Code and local ordinances is required.
- Do not kink or pinch the power supply cord of appliance.
- The fuse (or circuit breaker) size should be 15 amperes.
- It is important for the appliance to be leveled in order to work properly. You may need to make several adjustments to level it.
- Never allow children to operate, play with or crawl inside the appliance. Child entrapment and suffocation are not just problems of the past, junked or abandoned appliances are still dangerous. When no longer using your old wine cellar, take off the door and leave the shelves in place so that children may not climb inside easily.
- Do not use solvent-based cleansers or abrasives on the interior as they may damage or discolor the interior.
- Because of potential safety hazards under certain conditions, it is strongly recommended that you do not use an extension cord with this appliance. However, if you must use an extension cord, it is absolutely necessary that it be a CE-Listed, 3-wire grounding type appliance extension cord having a grounding type plug and outlet and that the electrical rating of the cord be 220 V-240V volts and at least 10 amperes.
- If the appliance is going to be used in an area that is prone to power surges/outages, it is suggested that you use a power surge protector. The surge protector that you select must have a surge block high enough to protect the appliance it is connected to. Damages due to power surges are not considered a manufacturer covered defect and will void your product warranty.
- The cord should be secured behind the appliance and not left exposed or dangling to prevent accidental injury. Never unplug the appliance by pulling the power cord. Always grip the plug firmly and pull straight out from the receptacle. Repair or replace immediately all power cords that have become frayed or otherwise damaged. Do not use a cord with cracks or abrasion damage along its length or at either end. When moving the appliance, be careful not to damage the power cord.
- For safety reasons and to ensure the optimum functionality of the wine cooler it's important that you connect your wine cooler using an earth/ground connection plug and keep the wine cooler perfectly plumb and level.
- The wine coolers in this instruction manual are suitable for freestanding and built-in installation. Don't place a built-in wine cooler on a heated surface such as heated flooring, as this will affect the cooling function.
- Do not use this apparatus for other than its intended purpose.

Failure to heed these safety warnings may result in extensive product damage, serious personal injury, or death.

**Diagram and Description**



1. Control Panel
2. Sliding Shelves
3. Front Ventilation Base
4. Door Hinge
5. Adjustable Feet
6. Handle (handle is an accessory to be purchased separately)

## **Installation Instructions**

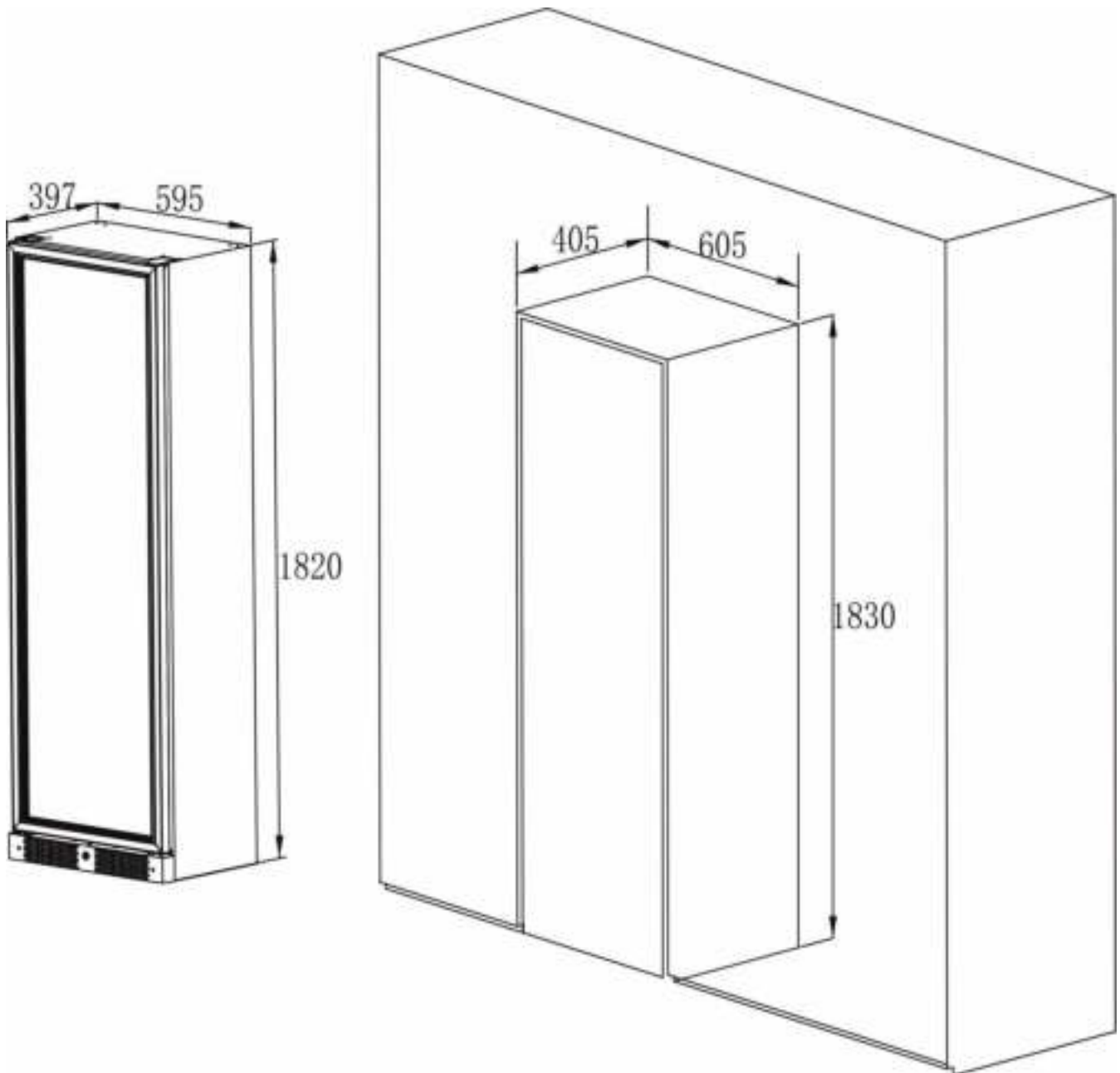
### BEFORE USE:

- Remove the exterior and interior packaging.
- Before connecting the unit to the power source, let it stand upright for approximately 2 hours. This will reduce the possibility of a malfunction in the cooling system from handling during transportation.
- Clean the interior surface with lukewarm water using a soft cloth.
- Install handles.
- This appliance is designed for built-in (fully recessed) installation, please fix the unit on the wall with the strap firstly
- Place the unit on a flat, solid floor that is strong enough to support it when it is fully loaded. To level the appliance, adjust the front leveling leg at the bottom of the unit.
- When moving your wine cellar, please do not incline it more than 45 degrees.
- Locate the appliance away from direct sunlight and sources of heat (stove, heater, radiator, etc.). Direct sunlight may affect the acrylic coating and heat sources may increase electrical consumption. Extreme cold ambient temperatures may also cause the unit to perform improperly. The optimal ambient temperature range is 10°C - 38°C.
- Avoid locating the unit in damp areas.
- Plug the wine cellar into an exclusive, properly installed and grounded wall outlet. Do not under any circumstances cut or remove the third (ground) prong from the power cord. Any questions concerning power and/or electrical grounding should be directed to a certified electrician or authorized products service center.
- After plugging the appliance into a wall outlet, allow the unit to cool down for 3 to 4 hours before placing wine bottles in the appliance.

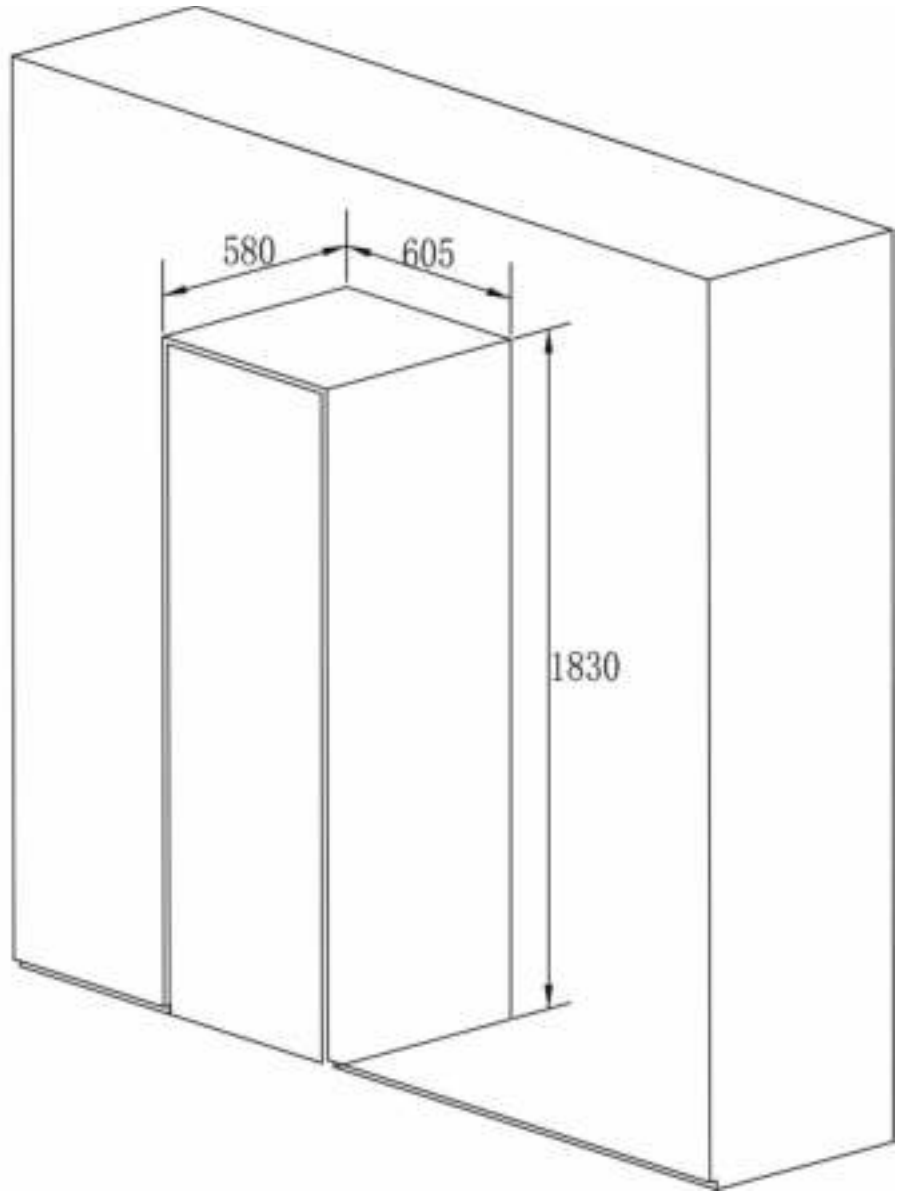
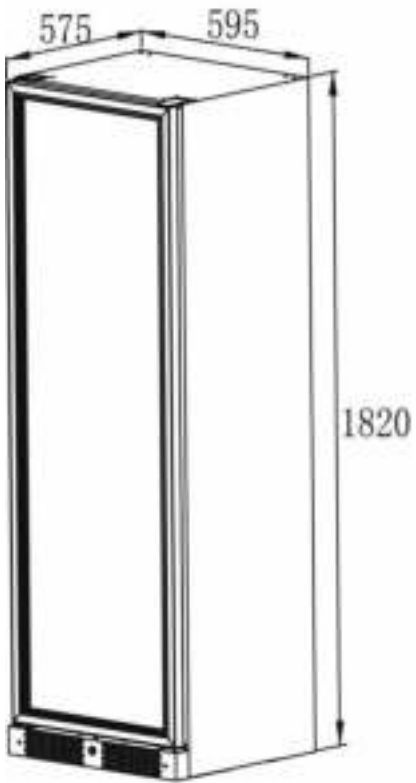
## Installation diagram

This is a wine cooler for free standing or to be installed inside a cabinet. The cabinet must be with good ventilation space and no back panel, otherwise it will affect the wine cooler's ability to function normally. Please follow the installation diagram.

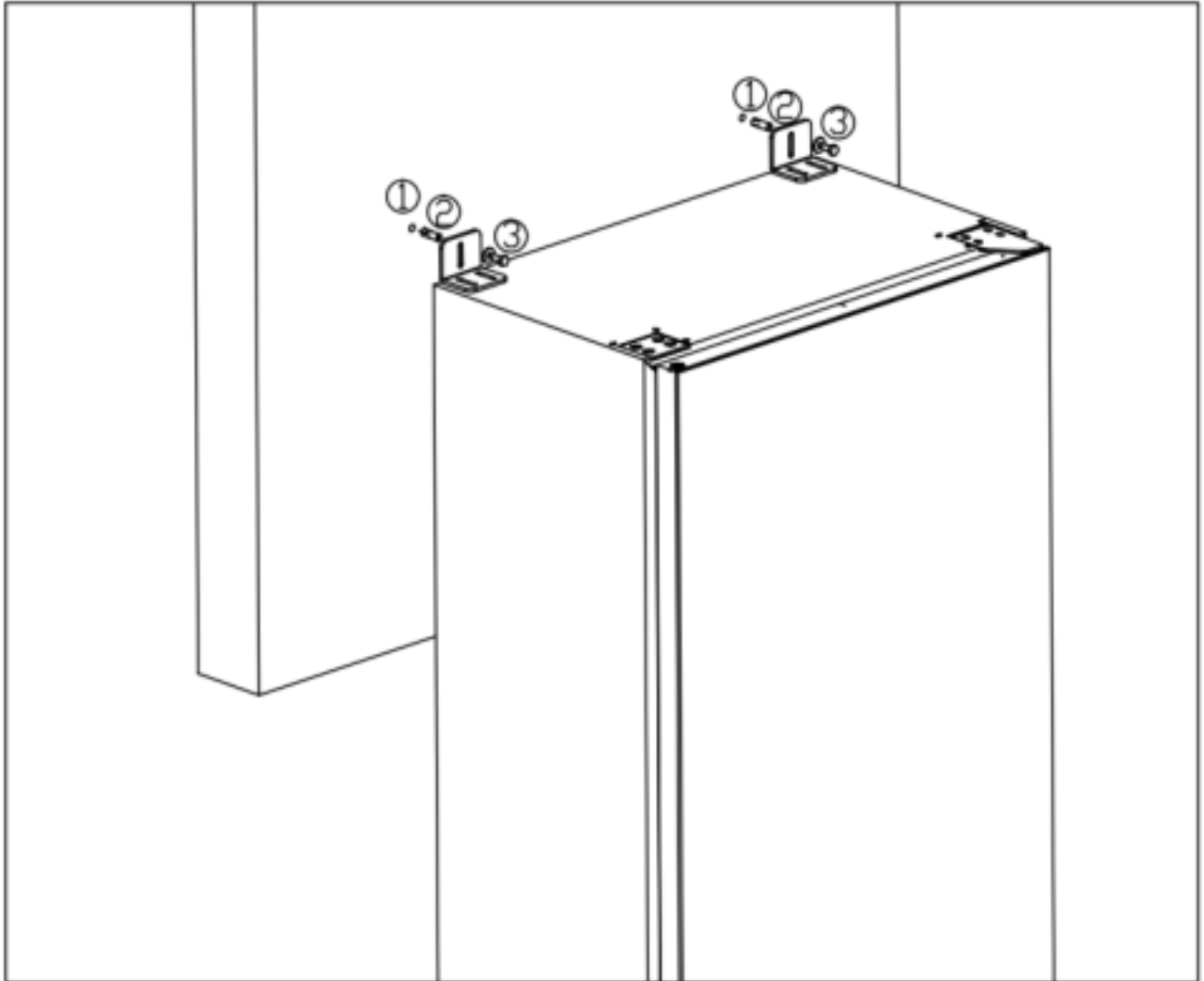
### **PBI58S & PBI58D**



**PBI100S & PBI100D**



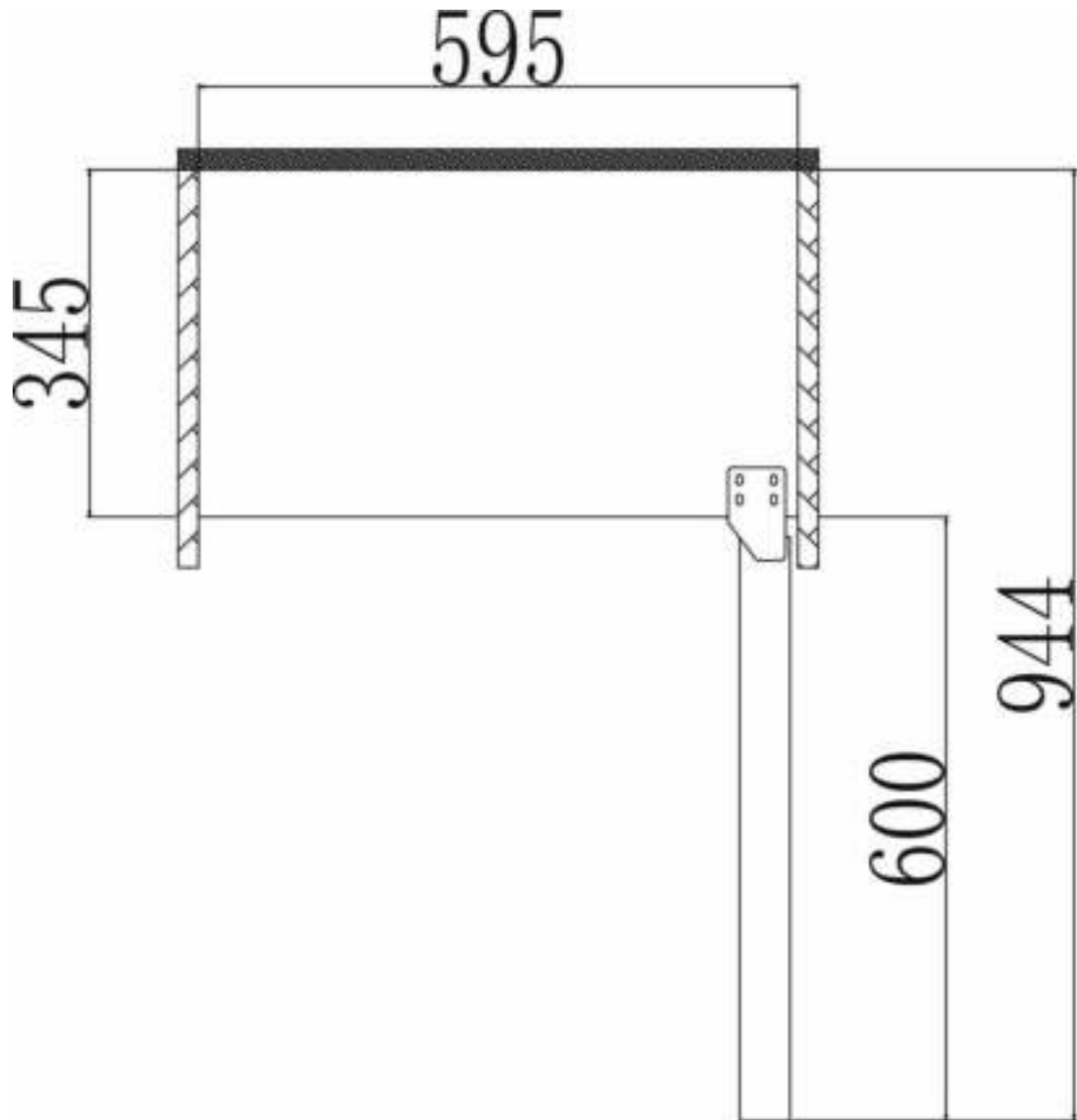
## WALL MOUNTING



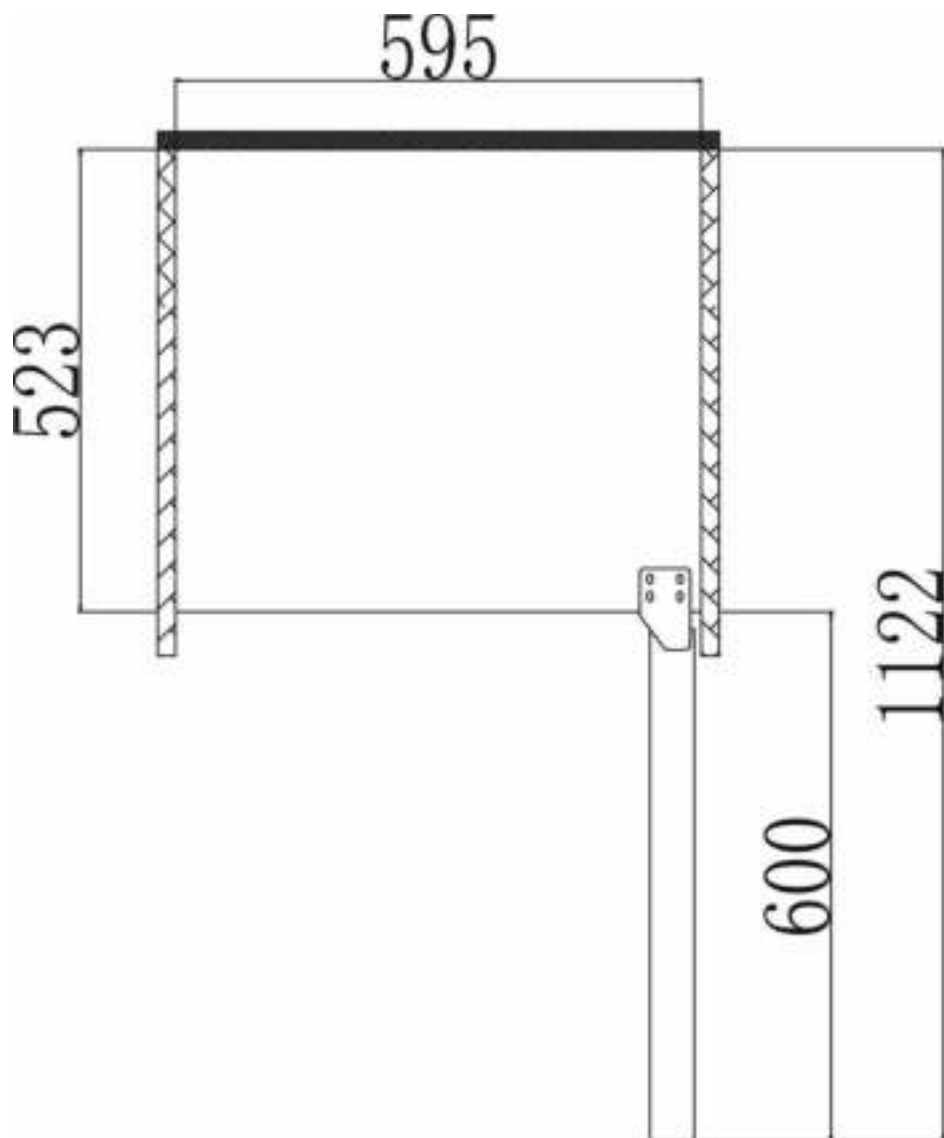


**DOOR OPENING ANGLE AND DIMENSIONS**

**PBI58S & PBI58D**



**PBI100S & PBI100D**

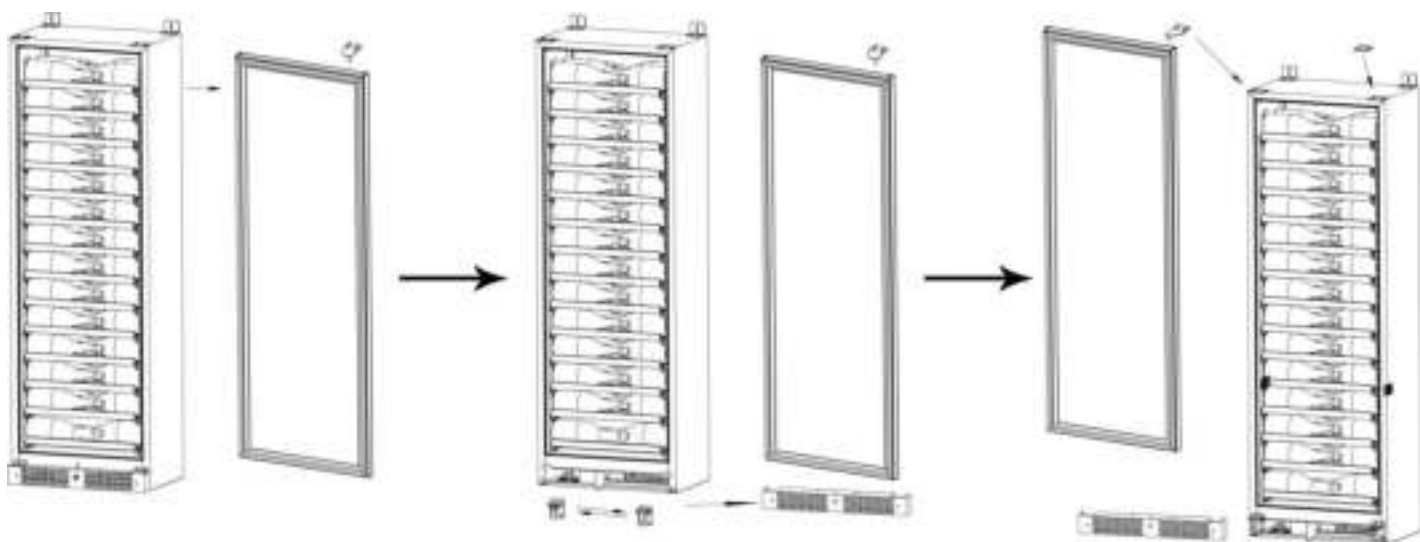


## Reverse the door

**Step 1:** remove the right top hinge, then we can remove the door

**Step 2:** remove the bottom grill and exchange the bottom hinge

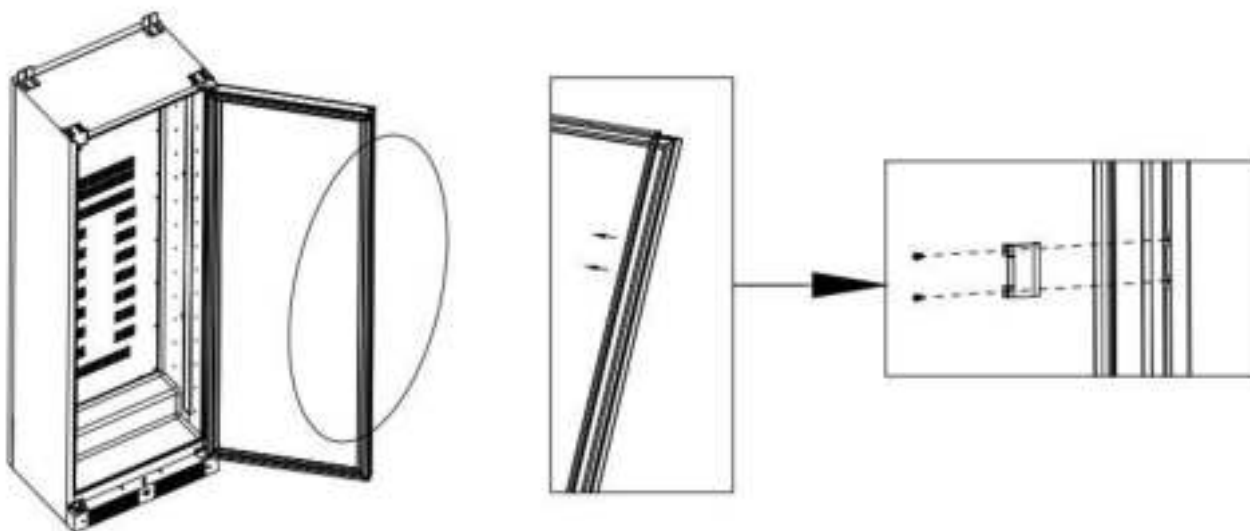
**Step 3:** install the door on the left bottom hinge, then install the left top hinge and install the hinge cover on the right top



## Handle Installation

**Step 1:** Pull out a bit of the rubber gasket from the back side

**Step 2:** put the metal handle into the hole of the back side ,Insert the screws through the holes and connect with the handle.



## Operation Instructions

The wine cellar should be placed in an area where the ambient temperature is between 10-38 degrees Celsius. If the ambient temperature is above or below this range, the performance of the unit may be affected. For example, placing your unit in extreme cold or hot conditions may cause the interior temperatures to fluctuate.



Your Wine Cooler includes an operating panel on the front. The operating panel includes several features to operate and control the temperature of the wine refrigerator, including:

ON/OFF - Turns the unit on or off

UPPER ZONE - Displays the temperature of the upper zone (not available on single zone models)

UP/DOWN Buttons – Increases or decreases the temperature in 1 degree increments

LOWER ZONE - Displays the temperature of the lower zone

°C / °F – Indicates whether the displayed temperatures are in Celsius and Fahrenheit

°C / °F Button – Toggles the displayed temperatures between Celsius and Fahrenheit

LIGHT – 1. Press the LIGHT button to turn the light on/off, or change the light color. The order of change is as follows: ON, red, orange, green, blue, white, OFF.

2. While holding down the LIGHT button, press the UP button to increase the brightness, or press the DOWN button to decrease the light brightness. Brightness is divided into 5 levels: 20%, 40%, 60%, 80% and 100%.

SELECT – Toggles between the upper and lower zone for temperature adjustment (not available on single zone models)

UPPER/LOWER – Indicates whether you are adjusting the temperature for the upper or lower zone (not available on single zone models)

If you are going on vacation, you may leave the wine cellar operating during vacations of less than three weeks. If the appliance will not be used for several months, you should remove all items and turn off the appliance. Clean and dry the interior thoroughly. To prevent mold growth, leave the door open slightly, blocking it open if necessary.

## Setting Temperature

This appliance is intended to be used exclusively for the storage of wine. The appliance is not suitable for freezing foodstuffs. Other things should be avoided in front of the fan and air inlet as much as possible to avoid blocking the air inlet and affecting the cooling efficiency. Please set the temperature according to the type of wine.

This product is used to chill wine. The ex-factory temperature of this product is 12°C, and the corresponding temperature range needs to be set according to the actual wine.

All wines mature optimally at the same ideal temperature, which is a constant temperature set between 12°C to 14°C. This being said and as it is for natural cellars used by wine producers for long period of storage, it is not the exact temperature that is important, but its consistency. In other words, as long as the temperature of your wine cooler is constant (12°C - 14°C) your wines will be stored in perfect conditions.

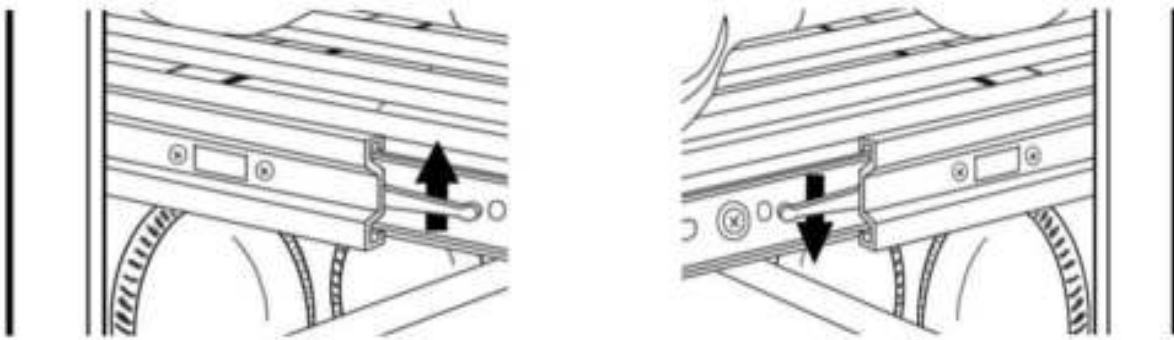
You can set the temperature as you desire by touching the UP or DOWN button. When you touch the buttons for the first time, the LED readout will show the original temperature set at the manufacturing facility. Each push of the button will adjust the temperature by one degree in the desired direction. Please be aware that the desired temperatures may fluctuate depending on whether the interior light is ON or OFF and depending on the orientation of the bottles.

### PLEASE NOTE:

- In the event of a power interruption, all previous temperature settings will be automatically saved and each compartment will return to the previous temperature setting.
- If the unit is unplugged, loses power, or is turned off, you must wait 3 to 5 minutes before restarting. Attempting to restart the wine cellar before this time has elapsed may prevent it from starting.
- When you use the wine cellar for the first time or restart the wine cellar after having been shut off for a long time, there will be a few degrees variance between the temperature you select and the one indicated on the LED readout for the first few hours of operation. After a few hours of operation, the temperature will normalize to the displayed temperature.

## **Racking Configuration**

Disperse your bottles evenly throughout the unit so as not to concentrate weight in any one area. This also helps to provide an even temperature range throughout the unit. Make sure that bottles are not all grouped together either at the top or bottom of the cabinet. Never try to pull out more than one sliding shelf at a time as it can cause the appliance to tip forward.



Each of the sliding shelves are removable. To remove a shelf, pull it out as far as you can. There are levers on each side of the shelf near the rollers. Lift the lever on the left-hand side and push down the lever on the right-hand side to remove the shelf from the tracks.

## **Care and Maintenance**

Cleaning your wine cellar:

- Turn off the power, unplug the appliance, and remove all items.
- Wash the inside surfaces with warm water and baking soda solution. The solution should be about 2 tablespoons of baking soda to a quart of water.
- Wash the shelves with a mild detergent solution.
- Wring excess water out of the sponge or cloth when cleaning area of the controls, or any electrical parts.
- Wash the outside cabinet with warm water and mild liquid detergent. Rinse and wipe dry with a clean soft cloth.
- Dust the front grill and back of the unit twice yearly. Make sure the power is off before cleaning.
- It is recommended to clean the unit completely inside and out yearly to maximize the longevity of the product.

Moving your wine cellar:

- Remove all bottles and any other items you may have inside the unit.
- Securely tape down all loose items (shelves) inside your appliance and tape the door shut.
- Turn the adjustable leg up to the base to avoid damage.
- Be sure the appliance stays secure in the upright position during transportation.
- Protect the outside of the appliance with a blanket or similar item.

## Troubleshooting

There are many common issues you may experience with your wine cellar that can be solved very easily, without the need of a service call. Try the tips below to troubleshoot your unit should you experience any problems:

PROBLEM	POSSIBLE CAUSE	SOLUTION
<b>1. Refrigerator does not operate</b>	1. Not plugged in 2. The appliance is turned OFF at the control panel 3. The power outlet is powered off or the output voltage is too low 4. The circuit breaker has tripped, or a fuse has blown out	1. Press ON/OFF 2. Check and make sure the power plug is well connected 3. Ask a technician to check whether the power outlet has an accurate voltage output 4. Ask an technician for help
<b>2. Refrigerator is not cold enough; can not cool down to the preset temp.</b>	The compressor does not start	ask a technician for help / check the connection of the compressor
	The ambient temperature is too high (over 100°F   38°C)	Move the refrigerator to a cool and ventilated place
	Place too many bottles at once	Put in the bottles in batches. It is recommended not to exceed 1/3 of full load at a time. After the temperature in the cabinet drops to the set temperature, store the next batch.
	The inlet and outlet of the front grille are blocked.	Remove objects that may block the air inlet and outlet
	The door is not closed tightly, or the door gasket is not properly sealed.	Please refer to the problem #6 “The door will not close properly” and its solutions. Then unplug the power plug for 5 hours, wait for the ice on the evaporator melt, restart the refrigerator.

	The door opening time is too long or too frequent	Reduce the times/frequency of door openings.
	There are other objects besides drink bottles in the cabinet, which affects the air circulation.	This refrigerator is designed for wine storage, if there are other objects, please remove it. The number of bottles placed on each layer cannot exceed the standard configuration.
	If the refrigerator is placed outdoors or in a place with a lot of dust/oil stains, after a period of time, a large amount of dust will accumulate on the condenser fins, which will affect the cooling effect.	Move the refrigerator to a place with less dust, regularly check the dust accumulation status, and clean it with a blower.
	Fans (condenser fan or evaporator fan) stop working or operate at low speed	Ask the technician to check whether there is a standard voltage on the fan terminal when turning on the power. If the voltage is abnormal, please check the switching power supply or the motherboard or circuit failure. If the voltage is normal, the fan may be damaged, please replace with a new fan.
	The compressor or its accessories are damaged	Turn off the power and ask the technician to diagnose.
<b>3. Compressor starts and stops frequently</b>	The door is not closed tightly.	Please refer to the problem #6 “The door will not close properly” and its solutions. Then unplug the power plug for 5 hours, wait for the ice on the evaporator melt, restart the refrigerator.
	The door gasket is not properly sealed.	1. Use low heat on a hairdryer to make the door seal take shape. 2. Replace with a new door gasket.
	The door is opened too often.	Reduce the times/frequency of door openings.
	The ambient temperature is too high (over 100°F   38°C)	Move the refrigerator to a cool and ventilated place
	Improper setting of temperature and the temperature variances	Properly increase the temperature and its variances
	The temperature sensor is not connected correctly.	Read the wiring diagram to make the correct connection of the sensor.
	The sensor is faulty.	Replace with a new sensor



<p><b>4. The light does not work.</b></p>	<p>Not plugged in, or the light button is "OFF." Not enough brightness. The light itself is faulty. PCB circuit faulty.</p>	<ol style="list-style-type: none"> <li>1. Adjust the brightness of the lamp according to the operating instructions.</li> <li>2. Replace with new bulb; the lamp has its polarity.</li> <li>3. Find a technician to repair.</li> </ol>
<p><b>5. The Refrigerator seems to make too much noise.</b></p>	<p>No standing hours before connecting the refrigerator to the power source.</p>	<p>Turn off the power and let it stand for hours.</p>
	<p>The stand feet is not leveling; vibrations lead to noise</p>	<p>Adjust the stand feet and ensure they are leveled.</p>
	<p>The floor is not stable enough</p>	<p>Move to a solid and stable floor</p>
	<p>Hot and cold contraction sounds of the inner tank and other plastics</p>	<p>No action required. It will gradually disappear.</p>
	<p>Copper pipe hits other objects and makes noise</p>	<p>Gently adjust the position of the pipe.</p>
	<p>The vibration of internal moving parts caused by inertia when the compressor is stopped or started</p>	<p>It's normal, no action required.</p>
	<p>A liquid plumbing noise may come from the flow of the refrigerators gases</p>	<p>As each cycle ends, you may hear gurgling sounds. It's normal, no action required.</p>
	<p>Vibration of cooling copper pipes or fans hit other objects</p>	<p>Open the back cover of the refrigerator, and properly adjust the copper pipes and wires so that they will not hit or resonate with other objects.</p>
<p>Compressor or fan itself failure</p>	<p>Find a technician to repair.</p>	
<p><b>6. The door will not close properly.</b></p>	<p>Door is blocked by the non-standard size bottles</p>	<p>Adjust the position of bottles, or the number of shelves appropriately</p>
	<p>The hinges of the upper and lower doors are loose</p>	<p>Adjust and fix the door hinge</p>
	<p>The door sealing rubber is deformed</p>	<ol style="list-style-type: none"> <li>1. Use low heat on a hairdryer to make the door seal take shape.</li> <li>2. Replace with a new door gasket.</li> </ol>
	<p>The door body is deformed</p>	<p>Replace with a new door</p>
<p><b>7. Evaporator ice up</b></p>	<p>The door is not closed tightly, or the door gasket is not properly sealed.</p>	<p>Please refer to the problem #6 "The door will not close properly" and its solutions. Then unplug the power plug for 5 hours, wait for the ice on the</p>

		evaporator melt, restart the refrigerator.
	Poor cooling performance. The fridge does not cool or can not reach the preset temperature value.	Please refer to the problem #2 “Refrigerator is not cold enough; can not cool down to the preset temp.” and the corresponding solutions. Then unplug the power plug for 5 hours, wait for the ice on the evaporator melt, restart the refrigerator.
	The compressor never stops even if the refrigerator cools and reaches the preset temperature value	The controller (PCB board) or temperature sensor is faulty, please ask a technician to repair.
<b>8. External cabinet seems too hot</b>	The ambient temperature is too high (over 100°F   38°C)	Move the refrigerator to a cool and ventilated place
	The inlet and outlet of the front grille are blocked.	Remove objects that may block the air inlet and outlet
	If the refrigerator is placed outdoors or in a place with a lot of dust/oil stains, after a period of time, a large amount of dust will accumulate on the condenser fins, which will affect the cooling effect.	Move the refrigerator to a place with less dust, regularly check the dust accumulation status, and clean it with a blower.
	The condenser fan stops working or operates at low speed	Ask the technician to check whether there is a standard voltage on the fan terminal when turning on the power. If the voltage is abnormal, please check the switching power supply or the motherboard or circuit failure. If the voltage is normal, the fan may be damaged, please replace with a new fan.
<b>9. Condensation on the glass door</b>	Ambient humidity is high	Use a soft cloth to wipe dry the water
	The door opening is too frequent	Reduce the frequency of door openings.
	The door does not close properly.	Please refer to the problem #6 “The door will not close properly” and its solutions. Then unplug the power plug for 5 hours, wait for the ice on the evaporator melt, restart the refrigerator.
<b>10. Water</b>	Condensation dripping from the glass door to the floor	Please refer to the problem #9 “Condensation on the glass door” and its solutions.

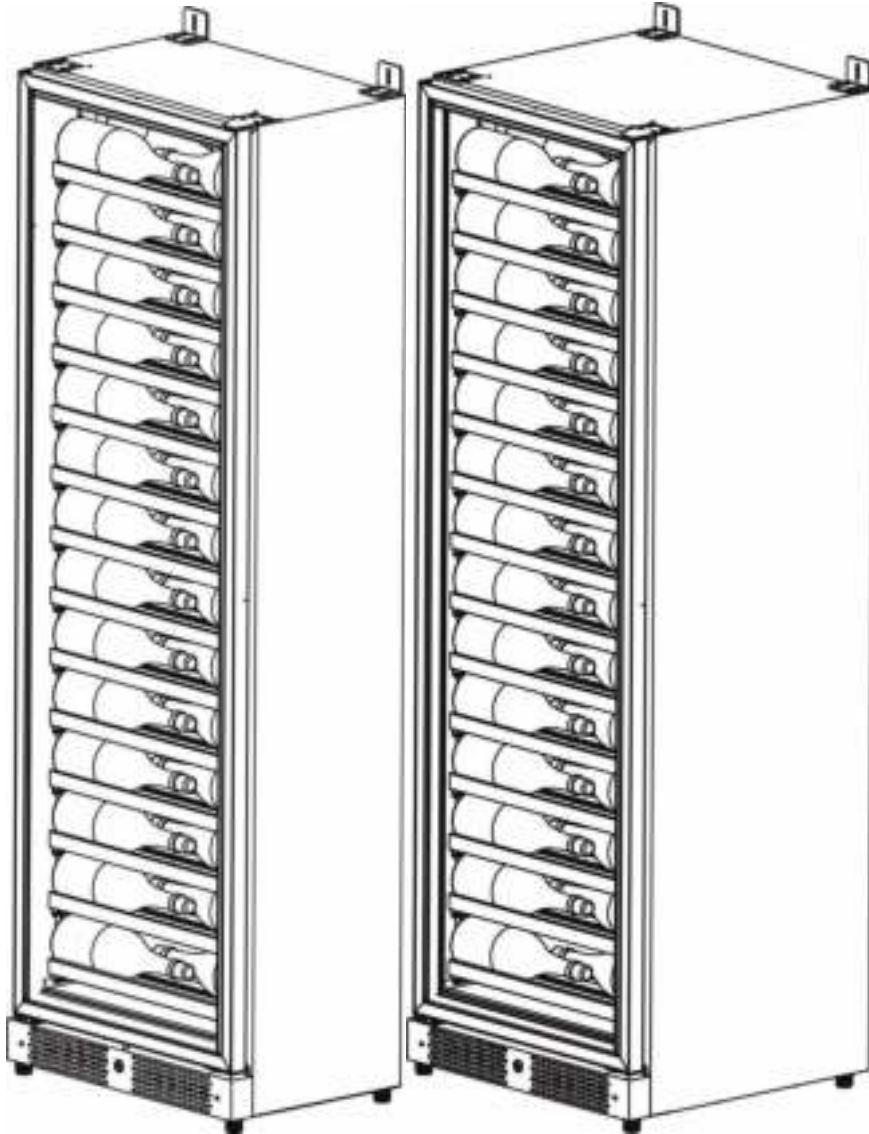
<b>leakage (outside of the cabinet)</b>	Water overflows in the water pan next to the compressor	Open the back cover of the compressor and make sure that the water pipe is in the water receiving tray.
<b>11. Water leakage inside the cabinet</b>	The outlet of the water tray below the evaporator is blocked	Remove the blockages
	The water pipe connected to the water tray under the evaporator falls off.	Re-connect the water pipe, glue it with glue and tighten it with cable ties
	The water tray cannot catch all the water drops from the evaporator	Re install the water tray.
<b>12. High humidity in the cabinet or condensation on the bottle surface</b>	Ambient humidity is high	Move the refrigerator to a cool and ventilated place
	The door opening time is too long or too frequent	Reduce the times/frequency of door openings.
	The door does not close properly.	Please refer to the problem #6 “The door will not close properly” and its solutions.
<b>13. The temperature difference between the bottles inside the cabinet is large</b>	There are other objects besides drink bottles in the cabinet, which affects the air circulation.	This refrigerator is designed for wine storage, if there are other objects, please remove it. The number of bottles placed on each layer cannot exceed the standard configuration.
	The running time is too short, and the system has not reached a stable state.	No action required. After extending the cooling time, the temperature inside the cabinet will be uniform.
	The upper and lower temperatures are not preset properly. (only applicable to dual-zone wine cabinets)	Adjust the temperature setting value; the best setting is that the preset value in the LOWER zone is 9°F (5°C) higher than the UPPER zone.
<b>14. The power consumption is different from the value on the label</b>	Power consumption is related to many factors, such as ambient temperature, ventilation conditions, the number of bottles in the cabinet, preset temperature, and voltage level. The actual situation may differ from the power consumption indicated on the label. This is normal.	No action required.
<b>15. Incomplete display characters</b>	The number on the display is missing one or two strokes	The wiring of the display is poor connected. In most cases, it will not affect the cooling function of the refrigerator.

	The display is not displayed, but the keys have sound	Find a technician to repair.
<b>16. Button failure</b>	The door opening time is too long, resulting in too much condensation on the glass panel	Avoid opening the door for a long time when the machine is turned on, it will return to normal in ten minutes after the door is closed.
	Signals such as cars, hair dryers, induction cookers, and mobile phones accidentally interfere with the wine cabinet	Keep away from the signal source, turn off and unplug the power, then restart the refrigerator.
	Display or control board failure.	Find a technician to repair.
<b>17. There is smell inside the cabinet</b>	The new machine may leave a small amount of environmental cleaner	No action required, it will disappear gradually
	The smell of wooden shelves	No action required, it will disappear gradually
<b>18. Error code U1, C1, U2 or C2</b>	Error code U1 or C1 means the sensor in the UPPER zone is short-circuit or open-circuit.	The sensor in the UPPER zone is defective, or the socket/plug with UP mark on PCB is poor connected. Please check the connection or replace the sensor.
	Error code U2 or C2 means the sensor in the LOWER zone is short-circuit or open-circuit.	The sensor in the LOWER zone is defective, or the socket/plug with DOWN mark on PCB is poor connected. Please check the connection or replace the sensor.
<b>19. Error code HH</b>	High-temperature alarm	Please refer to the problem #2 “Refrigerator is not cold enough; can not cool down to the preset temp.” and its solutions. Then unplug the power plug for 5 hours, restart the refrigerator.
<b>20. Error code LL</b>	Low-temperature alarm	<ol style="list-style-type: none"> <li>1. Unplug the power for 5 hours, restart the refrigerator and check again.</li> <li>2. Check or replace the sensors and control board.</li> <li>3. Check or replace the the electromagnetic valve</li> </ol>

## Technical Specifications

MODEL NO.	PBI58D-HHB	PBI100D-HHB	PBI58S-HHB	PBI100S-HHB
VOLUME	209L	355L	213L	362L
DIMENSION	595W*397D*1820H (with feet height)	595W*575D*1820H (with feet height)	595W*397D*1820H (with feet height)	595W*575D*1820H (with feet height)
TYPE OF COOLING	compressor with air-circulated fan cooling	compressor with air-circulated fan cooling	compressor with air-circulated fan cooling	compressor with air-circulated fan cooling
Climate Category	SN/N/ST	SN/N/ST	SN/N/ST	SN/N/ST
Electric Shock Protection Rating	I	I	I	I
Rated Voltage	220-240V	220-240V	220-240V	220-240V
RATED CURRENT(A)	0.5A	0.5A	0.5A	0.5A
REFRIGERANT	R600a	R600a	R600a	R600a
AMBIENT TEMPERATURE	50 - 100 °F ( 10 -38°C)	50 - 100 °F (10 -38°C)	50 - 100 °F ( 10 -38°C)	50 - 100 °F (10 -38°C)
TEMPERATURE RANGE	Upper Zone: 41-60 °F ( 5 - 15°C); Lower Zone: 45-64 °F ( 7 - 18°C)	Upper Zone: 41-60 °F ( 5 - 15°C); Lower Zone: 45-64 °F ( 7 - 18°C)	41-64 °F ( 5 - 18°C);	41-64 °F ( 5 - 18°C);
NET WEIGHT	101kg	122kg	100kg	120kg

# VINKØLESKAB BRUGSANVISNING



PeVino – PBI58S

PeVino – PBI100S

PeVino – PBI58D

PeVino – PBI100D

**TAK FOR DIT KØB AF ET VINKØLESKAB FRA PEVINO.**

**VENLIGST LÆS OG FØLG ALLE SIKKERHEDSREGLER OG  
BETJENINGSINSTRUKTIONER FØR BRUG.**

### **BEMÆRK**

**Ændringer i dette dokument kan ske uden forudgående varsel.**

### **Tips til sikkerhed**

Før apparatet tages i brug, skal det være korrekt placeret og installeret som beskrevet i denne vejledning, så læs det omhyggeligt. Følg disse grundlæggende forholdsregler for at reducere risikoen for brand, elektrisk stød eller personskaade, når du bruger apparatet.



### **FARE**

- Vinkøleren er beregnet til at blive fastgjort på væggen. Hvis det ikke er fastgjort på væggen, kan maskinen nemt vælte, hvilket resulterer i personskaade eller død.
- Sæt stikket i en stikkontakt med jordforbindelse på 3 ben. Du må under ingen omstændigheder klippe eller fjerne det tredje jordstik fra den medfølgende ledning, og brug ikke en forlængerledning.
- Det anbefales, at der anvendes et separat kredsløb, der kun betjener apparatet. Brug ikke stikkontakter, der kan slukkes af en kontakt eller trækkæde.
- Apparatets dele må aldrig rengøres med brændbare væsker, og opbevar eller brug ikke benzin eller andre brændbare dampe og væsker i nærheden af dette eller andre apparater. Dampene kan skabe brandfare eller eksplosion.
- Tag stikket ud af stikkontakten, eller afbryd strømmen, før du rengør eller servicerer. I modsat fald kan resultere i elektrisk stød eller død.

Forsøg ikke at reparere eller udskifte nogen del af apparatet, medmindre det specifikt anbefales i denne vejledning. Al anden service skal henvises til en kvalificeret tekniker.



### **FARE**

- Brug to eller flere personer til at flytte og installere apparatet. I modsat fald kan det resultere i ryg eller anden skade.
- For at sikre korrekt ventilation af apparatet skal enhedens forside være helt uhindret. Vælg et godt ventileret område med temperaturer over 10°C og under 38°C. Denne enhed skal installeres i et område, der er beskyttet mod elementet, såsom vind, regn, vandspray eller dryp.

- Apparatet må ikke placeres ved siden af ovne, griller eller andre høje varmekilder eller i områder med ekstrem kulde.
- Apparatet skal installeres i overensstemmelse med statslige og lokale koder. En standard strømforsyning (220 V-240V AC kun, 50 Hz), korrekt jordet i overensstemmelse med den nationale elektriske kode og lokale ordinancer er påkrævet.
- Apparatets ledning må ikke knækkes eller klemmes.
- Sikringens (eller afbryderen) størrelse skal være 15 ampere.
- Det er vigtigt, at apparatet skal være i vater for at fungere korrekt. Det kan være nødvendigt at foretage flere justeringer for at udjævne den.
- Lad aldrig børn betjene, lege med eller kravle inde i apparatet. Barn fastklemning og kvælning er ikke kun problemer fra fortiden, udsmidte eller forladte apparater er stadig farlige. Når du ikke længere bruger din gamle vinkælder, tag døren af og lad hylderne på plads, så børn ikke kan klatre ind nemt.
- Brug ikke opløsningsmiddelbaserede rensmidler eller slibemidler på interiøret, da de kan beskadige eller misfarve interiøret.
- På grund af potentielle sikkerhedsrisici under visse forhold anbefales det på det kraftigste, at du ikke bruger en forlængerledning sammen med dette apparat. Men hvis du skal bruge en forlængerledning, er det absolut nødvendigt, at det er en CE-Listed, 3-wire jordforbindelse type apparat forlængerledning med en jordforbindelse type stik og stikkontakt, og at den elektriske rating af ledningen være 220 V-240V volt og mindst 10 ampere.
- Hvis apparatet skal bruges i et område, der er udsat for kraftige overspændinger/udfald, foreslås det, at du bruger en strømstødbeskytter. Den overspændingsbeskytter, du vælger, skal have en overspændingsblok, der er høj nok til at beskytte det apparat, den er tilsluttet. Skader som følge af overspænding betragtes ikke som en producentdækket defekt og vil ugyldiggøre din produktgaranti.
- Ledningen skal fastgøres bag apparatet og må ikke efterlades eksponeret eller dinglende for at undgå utilsigtet personskade. Tag aldrig stikket ud af stikkontakten ved at trække i ledningen. Tag altid godt fat i stikket og træk det lige ud af kontakten. Reparer eller udskift straks alle strømledninger, der er blevet flosset eller på anden måde beskadiget. Brug ikke en ledning med revner eller slidskader langs dens længde eller i begge ender. Når du flytter apparatet, skal du passe på ikke at beskadige ledningen.
- Tilslut vinkøleskabet til en stikkontakt med jordforbindelse. Ethvert spørgsmål angående el bør rettes til en autoriseret elinstallatør.
- Vinkøleskabene i denne manual er egnet til fritstående og indbygget installation. Vær opmærksom på, at du ikke bør indbygge et vinkøleskab på gulv med gulvvarme, da dette kan påvirke vinkøleskabets funktionalitet.
- Brug ikke dette apparat til andet formål end det tilsigtede formål.

Undladelse af at lytte til disse sikkerhedsadvarsler kan resultere i omfattende produktskader, alvorlig personskade eller død.



## Diagram og beskrivelse

Øverste zone Nederste zone



Tænd/sluk

op / ned

Celcius / Fahrenheit

Vælg øverst / nederst



1. Kontrolpanel
2. Udtrækshylder
3. Forreste ventilationsrist
4. Dørhængsel
5. Justerbare fødder
6. Håndtag (Håndtag kan købes separat)
7. Lås
8. Væg monterings beslag

## Installationsvejledning

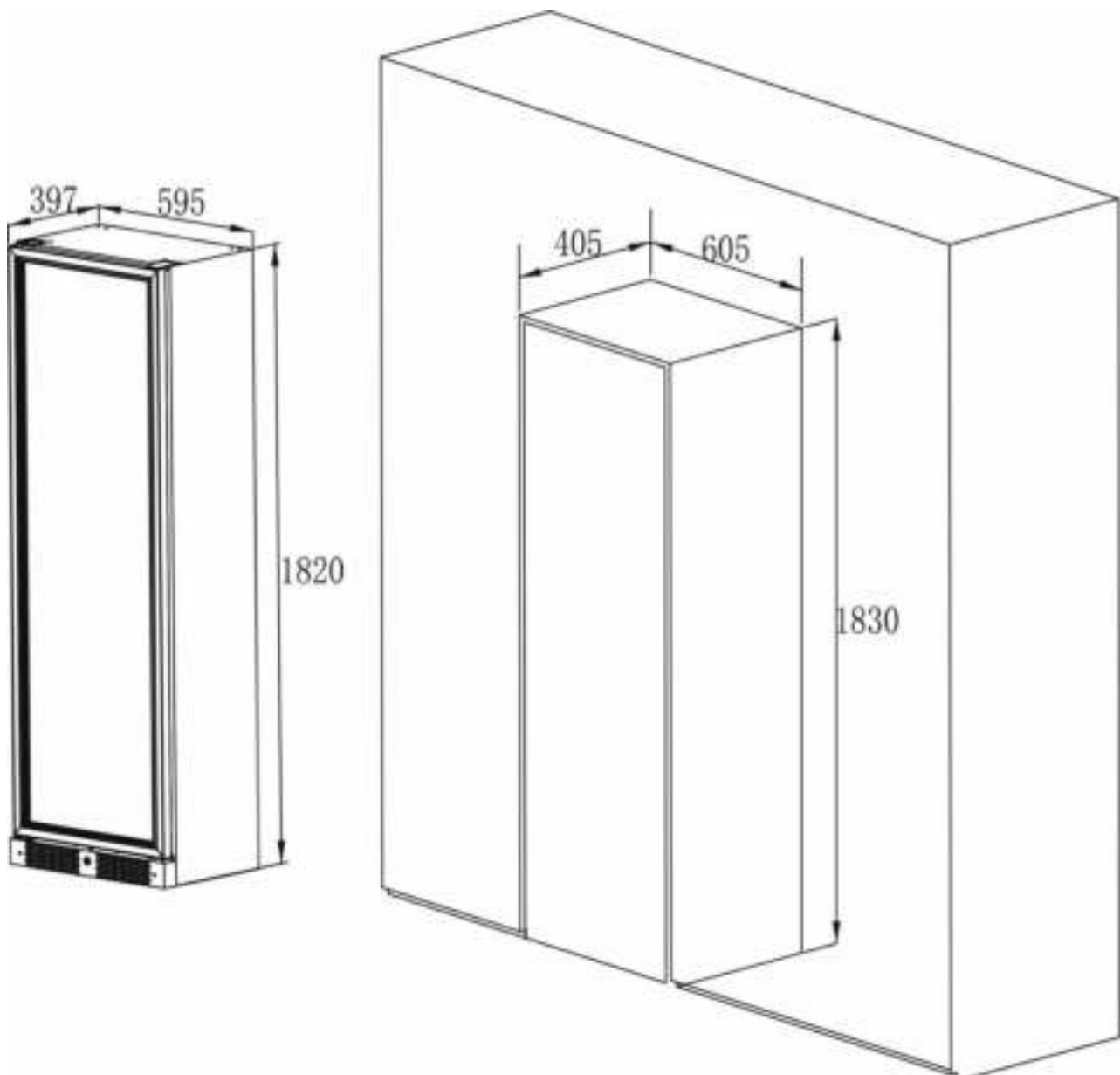
- FØR BRUG:
- Fjern den udvendige og indvendige emballage.
- Før du tilslutter enheden til strømkilden, skal den stå oprejst i ca. 2 timer. Dette vil reducere muligheden for en fejl i kølesystemet fra håndtering under transport.
- Rengør den indvendige overflade med lunkent vand med en blød klud.
- Installer håndtag.
- Dette apparat er beregnet til indbygget (fuldt forsænket) eller frit stående installation, skal du først fastgøre enheden på væggen med remmen/beslaget, og der være fri udluftning til vinkøleskabet. Ved indbygning må skabet ikke stilles på et opvarmet gulv.
- Anbring enheden på et fladt, solidt gulv, der er stærkt nok til at understøtte den, når den er helt lastet. For at stille apparatet i vater justeres det forreste nivelleringsben i bunden af enheden.
- Når du flytter vinkøleren, skal du ikke hælde den mere end 45 grader.
- Apparatet må ikke stå direkte i sollys og ved varmekilder (komfur, varmelegeme, radiator osv.). Direkte sollys kan påvirke akrylbelægningen, og varmekilder kan øge elforbruget. Ekstreme kolde omgivelsestemperaturer kan også få enheden til at fungere forkert. Det optimale omgivende temperaturområde er 10°C - 38°C.
- Undgå at placere enheden i fugtige områder.
- Sæt vinkælderen i en eksklusiv, korrekt installeret og jordforbundet stikkontakt. Den tredje (jord) grøn må under ingen omstændigheder skæres over eller fjernes fra ledningen. Eventuelle spørgsmål vedrørende strøm og / eller elektrisk jordforbindelse skal rettes til en certificeret elektriker eller autoriseret produkter servicecenter.
- Når apparatet er tilsluttet en stikkontakt, skal du lade enheden køle af i 3 til 4 timer, før vinflaskerne lægges i apparatet.

## Installationsdiagrammer

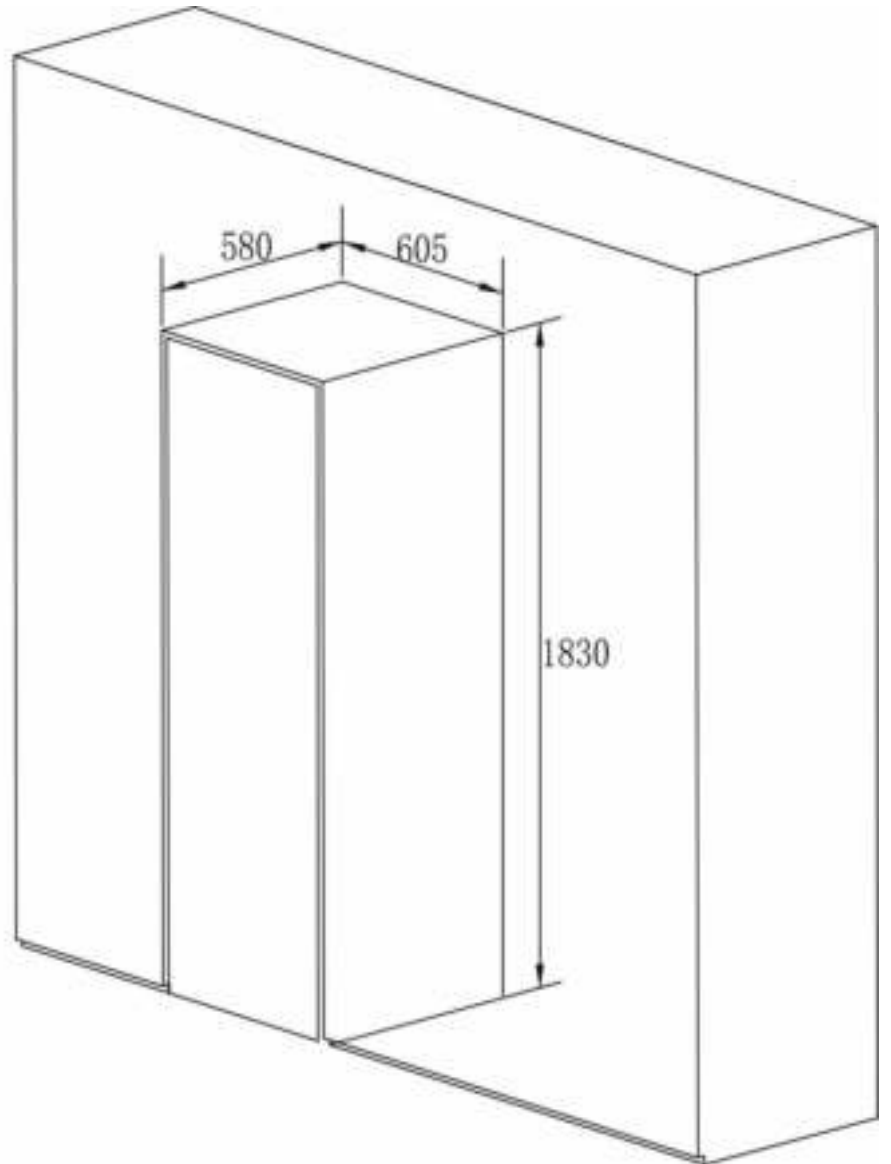
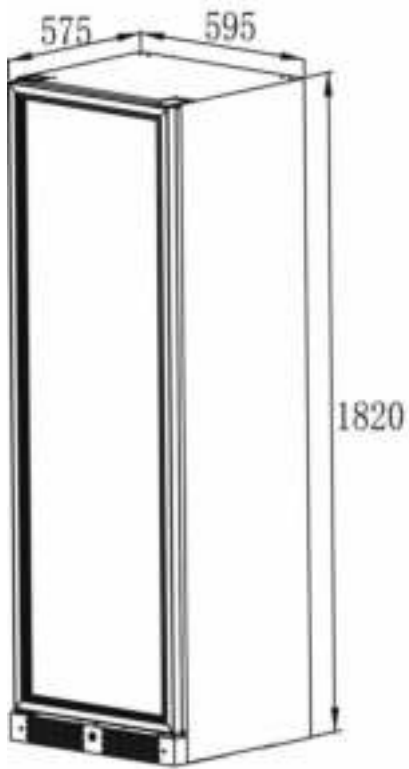
Dette vinkøleskab er beregnet til at stå frit eller indbygges i et skabelement. Skabelementet skal være med gode ventilationsforhold og uden bagplade, ellers vil det påvirke vinkøleskabets evne til at fungere normalt. Følg installationsdiagrammet.

**Husk: stik og kontakt bør være mulige at nå, efter installationen**

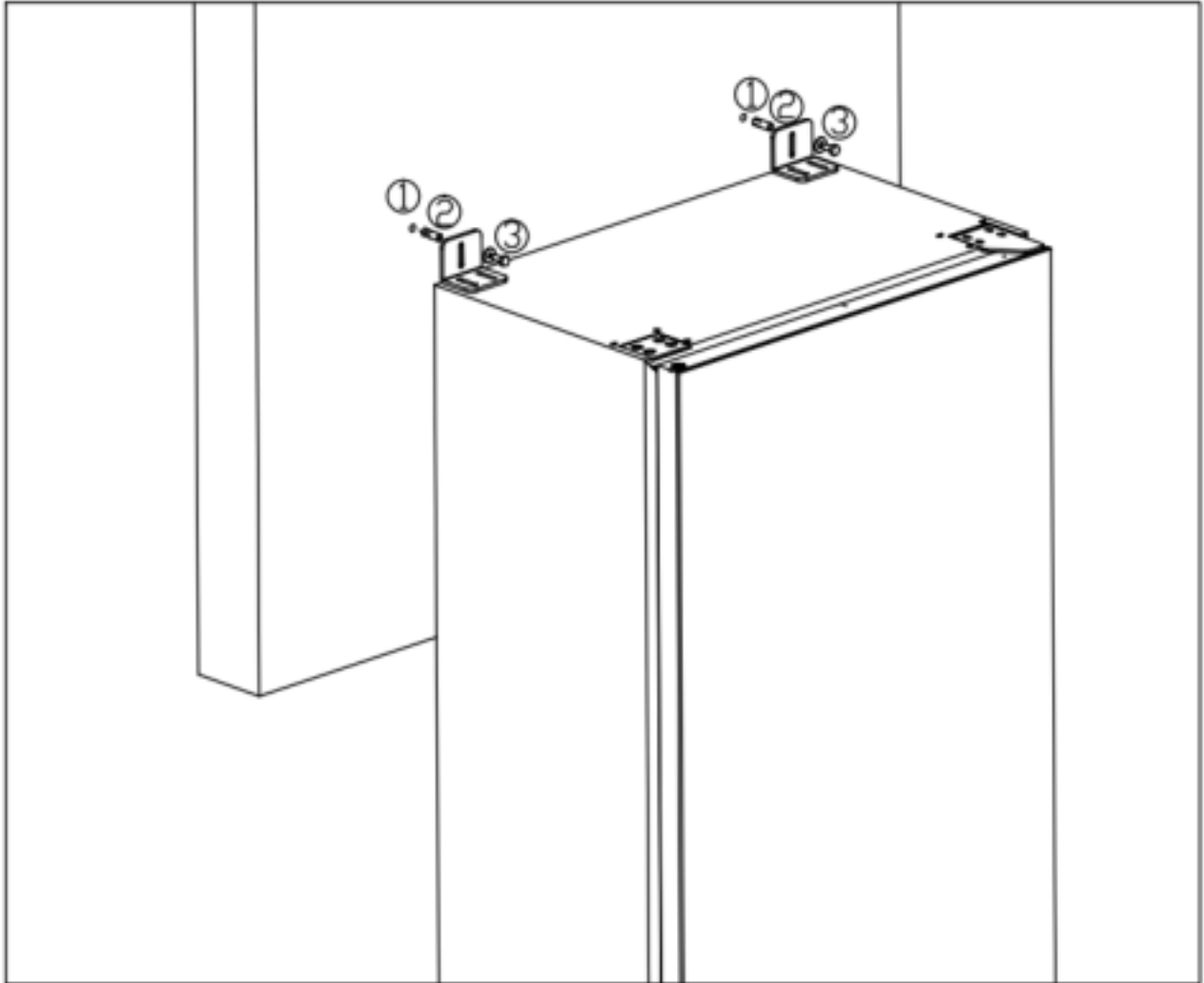
### **PBI58S & PBI58D**



**PBI100S & PBI100D**

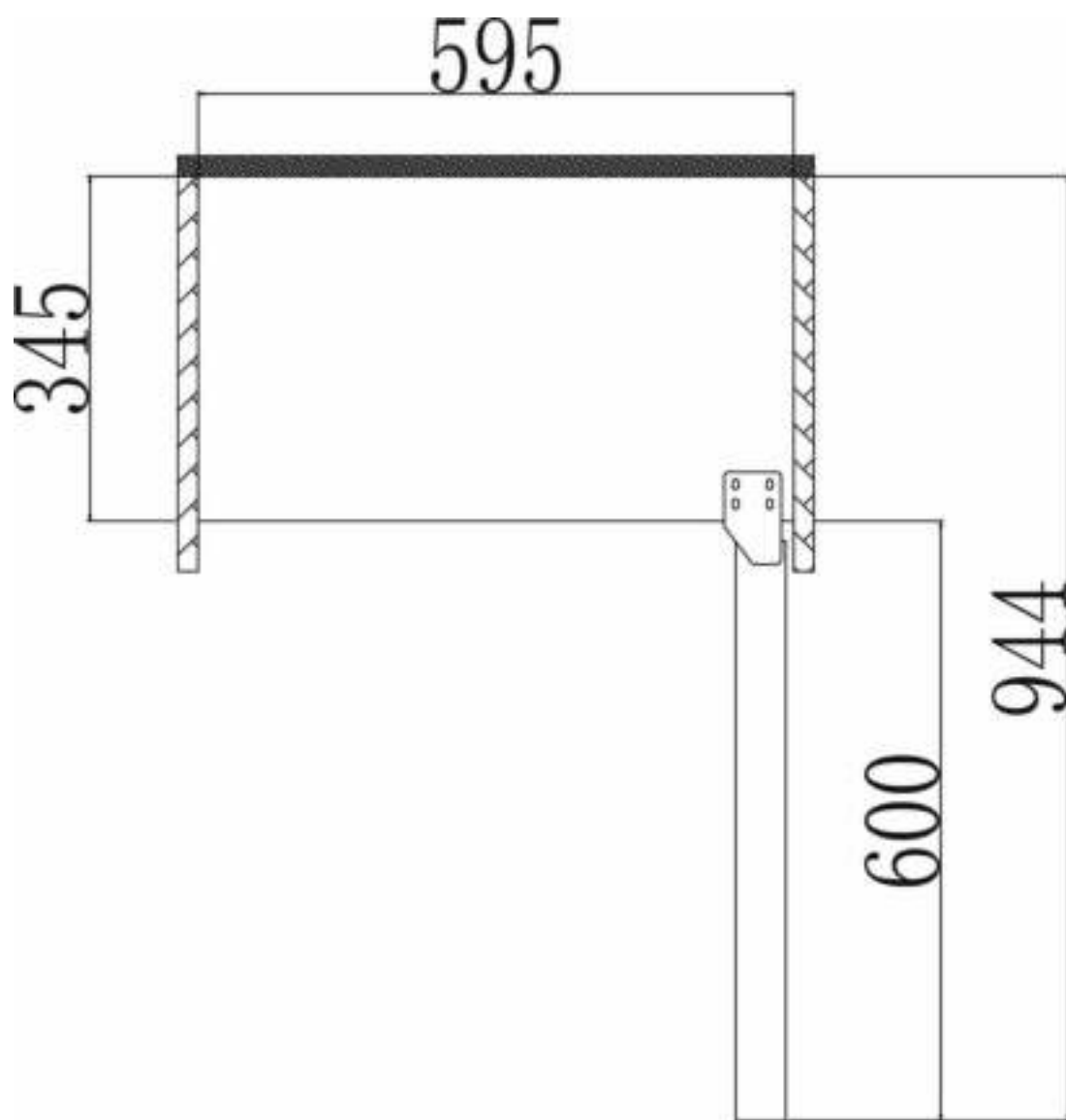


**VÆGMONTERING**

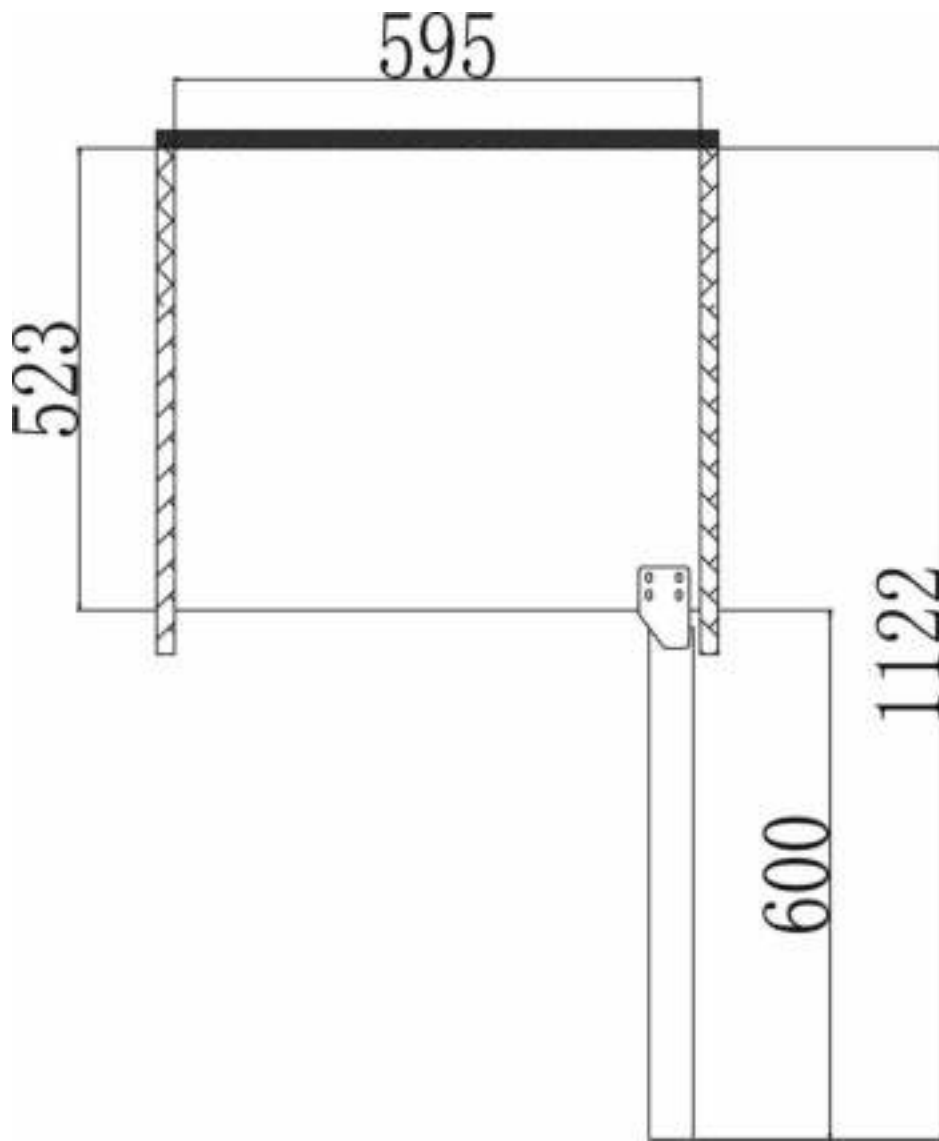


Døråbning – vinkel og dimensioner

PBI58S & PBI58D



PBI100S & PBI100D

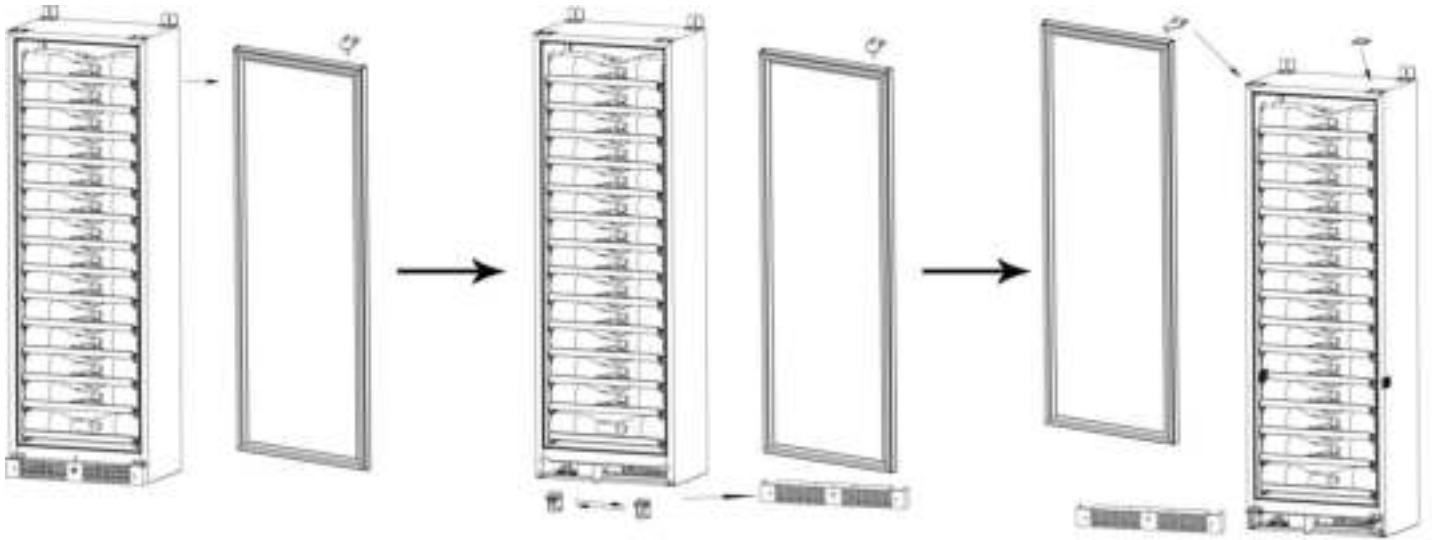


## Dørvending

Trin 1: Fjern højre øverste hængsel, så kan vi fjerne døren

Trin 2: Fjern den nederste grill og byt det nederste hængsel

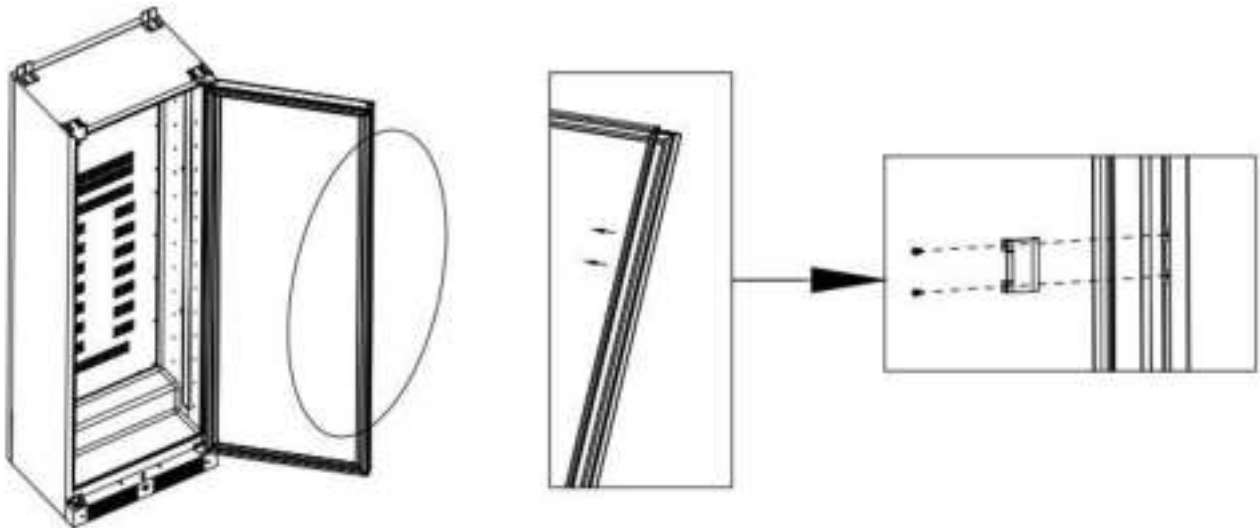
Trin 3: Installer lågen på venstre nederste hængsel, og installer derefter det venstre øverste hængsel, og installer hængseldækslet på højre top



## Installation af håndtag

Trin 1: Fjern det sorte dæksel

Trin 2: Sæt skruerne gennem hullerne og forbind med håndtaget.





## Instruktioner

Vinkøleren skal placeres i et område, hvor den omgivende temperatur er mellem 10-38 grader Celsius. Hvis omgivelsestemperaturen er over eller under dette område, kan enhedens ydeevne blive påvirket. Hvis du for eksempel placerer enheden under ekstrem kulde eller varme forhold, kan det få de indvendige temperaturer til at svinge.

Nederste zone

Øverste zone



Tænd/sluk      op / ned      Celcius / Fahrenheit      Vælg øverst / nederst

Dit vinkøleskab har et betjeningspanel på forsiden. Betjeningspanelet indeholder flere funktioner til at betjene og styre temperaturen i vinkøleskabet, herunder:

On/OFF - Tænder eller slukker enheden

UPPER ZONE - Viser temperaturen i den øvre zone

OP/NED knapper – Øger eller sænker temperaturen i intervaller på 1 grad

LOWER ZONE - Viser temperaturen i den nederste zone

°C / °F – Angiver, om de viste temperaturer er i Celsius og Fahrenheit

°C / °F-knap – Slår de viste temperaturer mellem Celsius og Fahrenheit til/fra

LIGHT – [1.Tryk](#) på LIGHT-knappen for at tænde/slukke lyset eller ændre lysfarven. Rækkefølgen af ændringen er som følger: ON, rød, orange, grøn, blå, hvid, OFF.

2. Mens du holder LIGHT-knappen nede, skal du trykke på UP-knappen for at øge lysstyrken eller trykke på DOWN-knappen for at reducere lysstyrken. Lysstyrken er opdelt i 5 niveauer: 20%, 40%, 60%, 80% og 100%.

SELECT – Skifter mellem den øvre og nederste zone til temperaturjustering

ØVRE/NEDRE – Angiver, om du justerer temperaturen for den øvre eller nedre zone

Hvis du skal på ferie, kan du forlade vinkøleskabet under ferier på mindre end tre uger. Hvis apparatet ikke skal bruges i flere måneder, skal du fjerne alle genstande og slukke for apparatet. Rengør og tør interiøret grundigt. For at forhindre skimmelvækst, lad gerne døren stå lidt åben.

## Indstilling af temperatur

Dette apparat er udelukkende til opbevaring af vin. andre ting bør undgås foran ventilatoren og luftindtaget så meget som muligt for at undgå at blokere luftindtaget og påvirke køleeffektiviteten. Apparatet er ikke egnet til opbevaring af andre fødevarer. Indstil vinkøleskabets temperatur i forhold til den vin du ønske at køle.

Dette produkt er beregnet til køling af vin. Fabrikken har indstillet standardtemperaturen til 12°C.

Alle vine modner optimalt ved den samme ideal-temperatur, som er en konstant temperatur mellem 12°C og 14°C. Når dette er sagt, og som det er tilfældet ved naturlige vinkældre der anvendes af vinproducenter til længere tids vinopbevaring, er det ikke den nøjagtige temperatur, der er vigtig, men dens konsistens. Med andre ord, så længe temperaturen på din vinkøler er konstant (12°C - 14°C), bliver dine vine opbevaret under perfekte forhold.

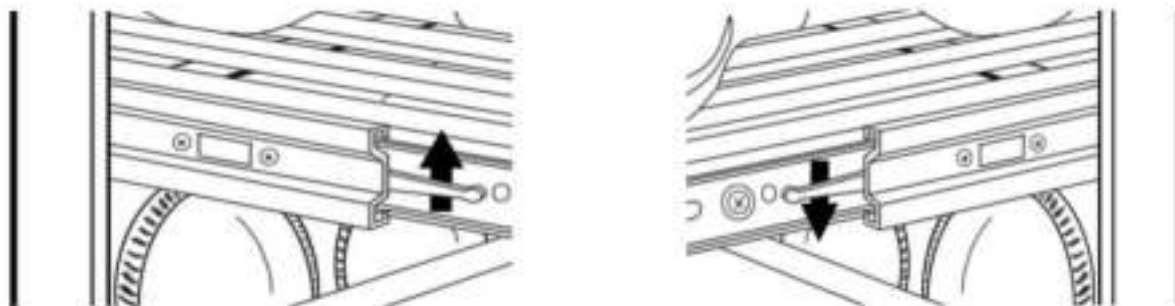
Du kan indstille temperaturen, som du ønsker, ved at trykke på knappen OP eller NED. Når du trykker på knapperne første gang, viser LED-udlæsningen den oprindelige temperatur, der er indstillet på vinkøleskabet. Hvert tryk på knappen vil justere temperaturen med en grad i den ønskede retning. Vær opmærksom på, at de ønskede temperaturer kan svinge afhængigt af, om det indvendige lys er tændt eller slukket, og afhængigt af flaskernes retning.

- Du kan indstille temperaturen, som du ønsker, ved at trykke på knappen OP eller NED. Når du trykker på knapperne første gang, viser LED-udlæsningen den oprindelige temperatur, der er indstillet på produktionsanlægget. Hvert tryk på knappen vil justere temperaturen med en grad i den ønskede retning. Vær opmærksom på, at de ønskede temperaturer kan svinge afhængigt af, om det indvendige lys er tændt eller slukket, og afhængigt af flaskernes retning.
- I tilfælde af strømafbrydelse gemmes alle tidligere temperaturindstillinger automatisk, og hvert rum vender tilbage til den forrige temperaturindstilling.
- Hvis enheden er frakoblet, mister strømmen eller er slukket, skal du vente 3 til 5 minutter, før du genstarter. Forsøg på at genstarte vinkælderen, før dette tidspunkt er gået, kan forhindre den i at starte.
- Når du bruger vinkælderen første gang eller genstarter vinkælderen efter at have været slukket i lang tid, vil der være et par graders varians mellem den temperatur, du vælger, og den, der er angivet på

LED-udlæsning i de første timer af drift. Efter et par timers drift, vil temperaturen normalisere til den viste temperatur.

## Hyldeinstallation

Fordel dine flasker jævnt i hele enheden for ikke at koncentrere vægten i et enkelt område. Dette hjælper også med at give et jævnt temperaturområde i hele enheden. Sørg for, at flaskerne ikke alle er grupperet sammen enten øverst eller nederst i kabinettet. Forsøg aldrig at trække mere end én skydehylde ud ad gangen, da det kan få apparatet til at tippe fremad.



Hver af udtræks hylderne er aftagelige. For at fjerne en hylde, trækkes den ud så langt som du kan. Der er håndtag på hver side af hylden i nærheden af rullerne. Løft håndtaget i venstre side, og tryk håndtaget ned i højre side for at fjerne hylden fra sporene.

## Pleje og vedligeholdelse

Rengøring af din vinkøler:

- Sluk for strømmen, tag stikket ud af stikkontakten, og fjern alle genstande.
- Vask de indvendige overflader med varmt vand og bagepulveropløsning. Opløsningen skal være omkring 2 spsk. bagepulver til en kvart vand.
- Vask hylderne med en mild rengøringsmiddelopløsning.
- Vrid overskydende vand ud af svampen eller kluden ved rengøring af området af kontrollerne, eller eventuelle elektriske dele.
- Vask det udvendige skab med varmt vand og mildt flydende rengøringsmiddel. Skyl og tør af med en ren blød klud.
- Støv frontgrillen og bagsiden af enheden to gange om året. Sørg for, at strømmen er slukket, før du gør rent.
- Det anbefales at rengøre enheden helt inde og ude årligt for at maksimere produktets levetid.

Flytning af din vinkøler:

- Fjern alle flasker og andre genstande, du måtte have inde i enheden.
- Tape alle løse genstande (hylde) ned i apparatet og tape døren lukket.
- Vend det justerbare ben op til basen for at undgå skader.
- Sørg for, at apparatet forbliver sikkert i opretstående position under transporten.
- Beskyt apparatets yderside med et tæppe eller lignende.

## Fejlfinding:

Der er mange almindelige problemer, du kan opleve med din vinkøler, der kan løses meget let, uden behov for et serviceopkald. Prøv nedenstående tip for at foretage fejlfinding af din enhed, hvis du oplever problemer:

PROBLEM	MULIG ÅRSAG	LØSNING
<b>1. Køleskab virker ikke</b>	1. Ikke tilsluttet	1. Tryk på Tænd/FRA
	2. Apparatet slukket på kontrolpanelet	2. Kontroller, og sørg for, at strømstikket er godt tilsluttet
	3. Stikkontakten er slukket, eller udgangsspændingen er for lav	3. Bed en tekniker om at kontrollere, om stikkontakten har en nøjagtig spændingsudgang
	4. Afbryderen er udløst, eller en sikring er blæst ud	4. Bed en tekniker om hjælp
<b>2. Køleskabet er ikke koldt nok; kan ikke køle ned til forudindstillet temp.</b>	Kompressoren starter ikke	bed en tekniker om hjælp/kontrollere tilslutningen af kompressoren
	Omgivelsestemperaturen er for høj (over 100°F   38°C)	Flyt køleskabet til et køligt og ventileret sted
	Placer for mange flasker på én gang	Læg flaskerne i partier. Det anbefales ikke at overskride 1/3 fuld belastning ad gangen. Efter at temperaturen i skabet falder til den indstillede temperatur, skal det næste parti opbevares.
	Indløbet og udløbet af frontgitteret er blokeret.	Fjern genstande, der kan blokere for indløb og udløb
	Døren er ikke lukket tæt, eller dørpakningen er ikke forsegle korrekt.	Der henvises til problemet #6 "Døren vil ikke lukke ordentligt" og dens løsninger.
	Døråbningstiden er for lang eller for hyppig	Tag derefter stikket ud i 5 timer, vent på isen på fordampere smelter, skal køleskabet genstartes.

	Der er andre genstande udover drikkeflasker i skabet, som påvirker luftcirkulationen.	Reducer gange/hyppighed af døråbninger.
	Hvis køleskabet er placeret udendørs eller på et sted med en masse støv / olie pletter, efter et stykke tid, vil en stor mængde støv ophobes på kondensatoren finner, hvilket vil påvirke køleeffekten.	Dette køleskab er designet til opbevaring af vin, hvis der er andre genstande, skal du fjerne det. Antallet af flasker, der er placeret på hvert lag, må ikke overstige
	Ventilatorer (kondensatorventilator eller fordamperventilator) holder op med at arbejde eller fungerer ved lav hastighed	Bed teknikeren om at kontrollere, om der er en standardspænding på ventilatorterminalen, når der tændes for strømmen. Hvis spændingen er unormal, skal du kontrollere koblingsstrømforsyningen eller bundkortet eller kredsløbet fiasko. Hvis spændingen er normal, kan ventilatoren blive beskadiget, skal den udskiftes med en ny ventilator.
	Kompressoren eller dens tilbehør er beskadiget	Sluk for strømmen, og bed teknikeren om at diagnosticere.
<b>3. Kompressor starter og stopper ofte</b>	Døren er ikke lukket tæt.	Der henvises til problemet #6 "Døren vil ikke lukke ordentligt" og dens løsninger.
	Dørpakningen er ikke forsegleet korrekt.	Tag derefter stikket ud i 5 timer, vent på isen på fordampere smelter, skal køleskabet genstartes.
	Døren åbnes for ofte.	1. Brug lav varme på en hårtørrer for at få dørforseglingen til at tage form.
	Omgivelsestemperaturen er for høj (over 100°F   38°C)	Flyt køleskabet til et køligt og ventileret sted
	Forkert indstilling af temperatur og temperaturvarians	Øg temperaturen og dens afvigelser korrekt
	Temperaturføleren er ikke tilsluttet korrekt.	Læs ledningsdiagrammet for at foretage den korrekte tilslutning af sensoren.
	Sensoren er defekt.	Udskift med en ny sensor
<b>4. Lyset virker ikke</b>	Ikke tilsluttet, eller lysknappen er "OFF." Ikke nok lysstyrke. Selve lyset er defekt. PCB-kredsløb defekt.	1. Juster lampens lysstyrke i henhold til betjeningsvejledningen. 2. Udskift med ny pære; lampen har sin polaritet. 3. Find en tekniker til at reparere.

<b>5. Køleskab støjer for meget.</b>	Ingen stående timer før tilslutning af køleskabet til strømkilden.	Sluk for strømmen og lad den stå i timevis.
	skabets fødder er ikke nivelleret; vibrationer fører til støj	Juster ståfødderne og sørg for, at de er i vater.
	Gulvet er ikke stabilt nok	Flyt til et solidt og stabilt gulv
	Varme og kolde sammentrækning lyde af den indre tank og plast.	Der kræves ingen handling. Det vil gradvist forsvinde.
	Kobberrør rammer andre objekter og laver støj	Juster forsigtigt rørets position.
	Vibrationen af indvendige bevægelige dele forårsaget af inert, når kompressoren stoppes eller startes	Det er normalt, ingen handling kræves.
	En flydende VVS-støj kan komme fra strømmen af køleskabe gasser	Da hver cyklus slutter, kan du høre klukkende lyde. Det er normalt, ingen handling kræves.
	Vibration af køling kobberrør eller ventilatorer ramte andre objekter	Åbn køleskabets bagside, og juster kobberrørene og ledningerne korrekt, så de ikke rammer eller giver genlyd i andre genstande.
	Kompressor eller ventilator selv fejl	Find en tekniker, der skal repareres.
<b>6. Døren vil ikke lukke korrekt.</b>	Døren er blokeret af ikke-standard flasker	Juster placeringen af flasker, eller antallet af hylder korrekt
	Hængslerne på de øverste og nedre døre er løse	Juster og fastgør dørhængslet
	Dørforseglingsgummiet er deformeret	1. Brug lav varme på en hårtørrer for at få dørforseglingen til at tage form.
	Dørrammen er deformeret	Udskift med en ny dør
<b>7. Fordamper iser til</b>	Døren er ikke lukket tæt, eller dørpakningen er ikke forsejlet korrekt.	Der henvises til problemet #6 "Døren vil ikke lukke ordentligt" og dens løsninger.
	Dårlig køleydelse. Køleskabet køler ikke eller kan ikke nå den forudindstillede temperaturværdi.	Tag derefter stikket ud i 5 timer, vent på isen på fordamperen smelter, skal køleskabet genstartes.
	Kompressoren stopper aldrig, selvom køleskabet køler af og når den forudindstillede temperaturværdi	Der henvises til problemet #2 "Køleskab er ikke koldt nok; kan ikke køle ned til den forudindstillede temp." og de tilsvarende løsninger. Tag derefter stikket ud i 5 timer, vent på isen på fordamperen smelter, genstart køleskabet.

<b>8. Udvendig kabinet synes for varmt</b>	Omgivelsestemperaturen er for høj (over 100°F   38°C)	Flyt køleskabet til et køligt og ventileret sted
	Indløbet og udløbet af frontgitteret er blokeret.	Fjern genstande, der kan blokere for indløb og udløb
	Hvis køleskabet placeres udendørs eller på et sted med meget støv/oliepletter, efter en periode, vil støv vil ophobes på kondensatoren finner, hvilket vil påvirke køleeffekten.	Flyt køleskabet til et sted med mindre støv, kontroller regelmæssigt støvophobningsstatus, og rengør det med en blæser.
	Kondensatorventilatoren holder op med at arbejde eller fungerer ved lav Hastighed	Bed teknikeren om at kontrollere, om der er en standardspænding på ventilatorterminalen, når der tændes for strømmen. Hvis spændingen er unormal, skal du kontrollere koblingsstrømforsyningen eller bundkortet eller kredsløbet fiasko. Hvis spændingen er normal, kan ventilatoren blive beskadiget, skal den udskiftes med en ny ventilator.
<b>9. Kondens på glasdøren</b>	Den omgivende luftfugtighed er høj	Brug en blød klud til at tørre vandet
	Døråbningen er for hyppig	Reducer hyppigheden af døråbninger.
	Døren lukker ikke ordentligt.	Der henvises til problemet #6 "Døren vil ikke lukke ordentligt" og dens løsninger. Tag derefter stikket ud i 5 timer, vent på isen på
<b>10. Vandlækage (uden for kabinettet)</b>	Kondens drypper fra glasdøren til gulvet	Der henvises til problemet #9 "Kondens på glasdøren" og dens løsninger.
	Vandoverløb i vandbakken ved siden af kompressoren	Åbn kompressorens cover og sørg for, at vandrøret er i vandmoderbakken.
<b>11. Vandlækage indeni kabinettet</b>	Udløbet af vandbakken under fordamperen er blokeret	Fjern blokerende masse
	Vandrøret, der er tilsluttet vandbakken under fordamperen, falder af.	Tilslut vandrøret igen, lim det og stram det med kabelbinder
	Vandbakken kan ikke fange alle vanddråber fra fordamperen	Kontakt sælger eller autoriseret tekniker.
<b>12. Høj luftfugtighed i skabet eller kondens på flaskens overflade</b>	Den omgivende luftfugtighed er høj	Flyt køleskabet til et køligt og ventileret sted
	Døråbningstiden er for lang eller for hyppig	Reducer gange/hyppighed af døråbninger.
	Døren lukker ikke ordentligt.	Der henvises til problemet #6 "Døren vil ikke lukke ordentligt" og dens løsninger.

<b>13. Temperatur forskel mellem flasker inde i kabinettet er stort</b>	Der er andre genstande udover drikkeflasker i skabet, som påvirker luftcirkulationen.	Dette køleskab er designet til opbevaring af vin, hvis der er andre genstande, skal du fjerne det. Antallet af flasker, der er placeret på hvert lag, må ikke overstige standardkonfigurationen.
	Drift tiden er for kort, og systemet har ikke nået en stabil tilstand.	Der kræves ingen handling. Efter forlængelse af køletiden vil temperaturen inde i skabet være ensartet.
	De øvre og nedre temperaturer er ikke forudindstillet korrekt. (gælder kun for vinskabe med to zoner)	Juster værdien for temperaturindstillingen. Den bedste indstilling er, at den forudindstillede værdi i zonen NEDRE er 5°C højere end ØVRE ZONE.
<b>14. Forbruget adskiller sig fra værdien på etiket</b>	Strømforbruget er relateret til mange faktorer, såsom omgivelsestemperatur, ventilationsforhold, antallet af flasker i skabet, den forudindstillede temperatur og spændingsniveauet. Den faktiske situation kan afvige fra forbrug, der er angivet på etiketten. Det her er normalt.	Der kræves ingen handling.
<b>15. Ufuldstændig tegnvisning</b>	Tallet på displayet mangler et eller to strøg	Ledningsføring af skærmen er dårlig tilsluttet. I de fleste tilfælde vil det ikke påvirke køleskabets kølefunktion.
	Displayet vises ikke, men tasterne har	Find en tekniker, der skal repareres.
<b>16. Knapfejl</b>	Døråbningstiden er for lang, hvilket resulterer i for meget kondens på glaspanelet	Undgå at åbne døren i lang tid, når maskinen er tændt, vil den vende tilbage til normal i ti minutter efter døren er lukket.
	Signaler som biler, hårtørre, induktionskoger og mobiltelefoner forstyrrer ved et uheld vinskabet	Hold dig væk fra signalkilden, sluk for strømmen og tag stikket ud, og genstart derefter køleskabet.
	Fejl ved visning eller kontrolkort.	Find en tekniker, der skal repareres.
<b>17. Der er lugt inde i kabinettet</b>	Den nye maskine kan efterlade en lille mængde miljørens	Ingen handling kræves, vil det forsvinde gradvist
	Duften af træ hylder	Ingen handling kræves, vil det forsvinde gradvist
<b>18. Fejlkode U1, C1, U2 eller C2</b>	Fejlkode U1 eller C1 betyder, at sensoren i UPPER-zonen er kortsluttet eller åbent kredsløb.	Sensoren i UPPER-zonen er defekt, eller stikket/stikket med UP-mærket på PCB er dårligt tilsluttet. Kontroller forbindelsen, eller udskift sensoren.

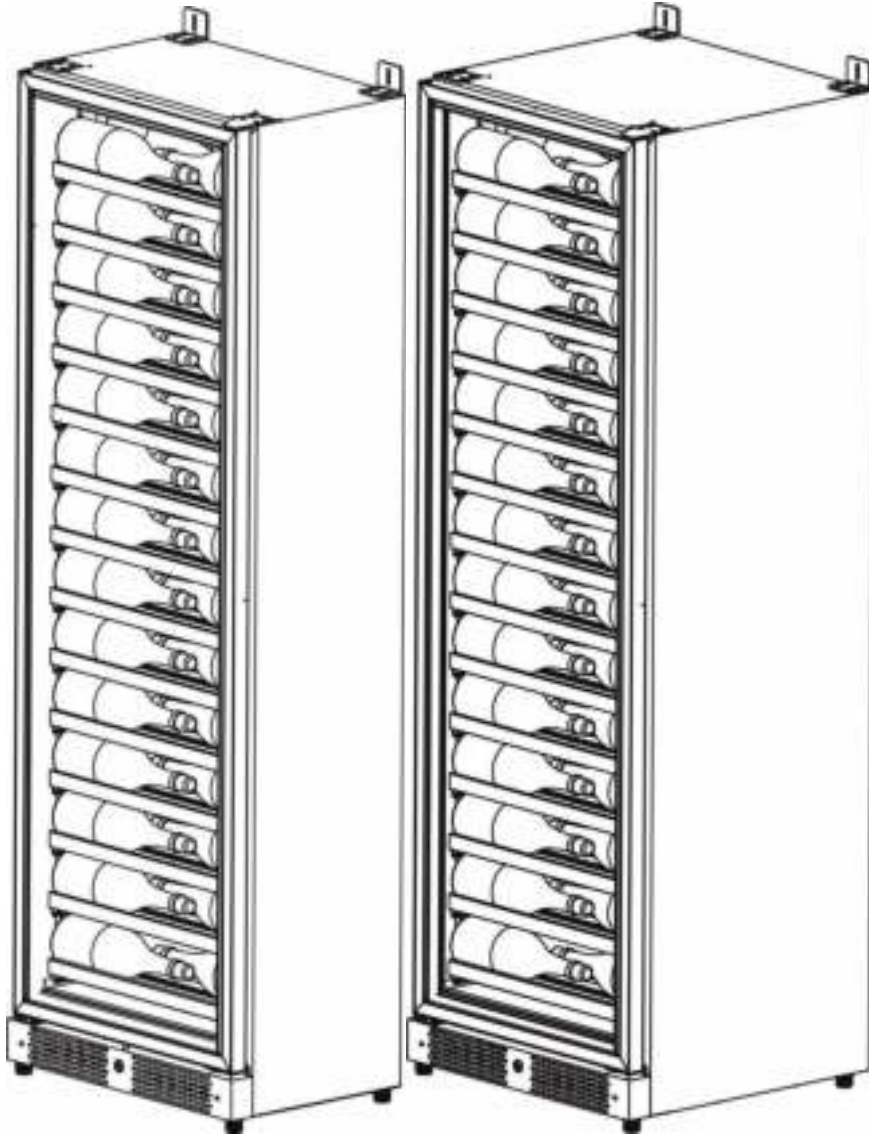


	Fejlkode U2 eller C2 betyder, at sensoren i LOWER-zonen er kortsluttet eller åbent kredsløb.	Sensoren i LOWER-zonen er defekt, eller stikket/stikket med DOWN-mærket på PCB er dårligt tilsluttet. Kontroller forbindelsen, eller udskift Sensor.
<b>19. Fejlkode HH</b>	Højtemperaturalarm	Der henvises til problemet #2 "Køleskab er ikke koldt nok; kan ikke køle ned til den forudindstillede temp." og dens løsninger. Tag derefter stikket ud i 5 timer, skal du genstarte køleskabet.
<b>20. Fejlkode LL</b>	Alarm ved lav temperatur	<ol style="list-style-type: none"> <li>1. Tag strømmen ud i 5 timer, genstart køleskabet, og kontroller igen.</li> <li>2. Kontroller eller udskift sensorerne og kontrolkortet.</li> <li>3. Kontroller eller udskift den elektromagnetiske ventil</li> </ol>

## Tekniske specifikationer

MODEL NR.	<b>PBI58D-HHB</b>	<b>PBI100D-HHB</b>	<b>PBI58S-HHB</b>	<b>PBI100S-HHB</b>
VOLUMEN	209L	355L	213L	362L
DIMENSION	595B*397D*1820H	595B*575D*1820H	595B*397D*1820H	595B*575D*1820H
TYPE KØLING	kompressor med luft-cirkuleret ventilator	kompressor med luft-cirkuleret ventilator	kompressor med luft-cirkuleret ventilator	kompressor med luft-cirkuleret ventilator
KLIMA KATEGORI	SN/N/ST	SN/N/ST	SN/N/ST	SN/N/ST
ELEKTRISK STØD	I	I	I	I
BESKYTTELSESSESS KLASSIFISEREN G	220-240V	220-240V	220-240V	220-240V
Nominel spænding	0.5A	0.5A	0.5A	0.5A
NOMINEL EFFEKT(W)	R600a	R600a	R600a	R600a
OMGIVELSESTE MPERATUR	50 - 100 °F (10 -38°C)	50 - 100 °F (10 -38°C)	50 - 100 °F (10 -38°C)	50 - 100 °F (10 -38°C)
TEMPERATURO MRÅDE	Øverste Zone: 41-60 °F (5 - 15°C); Laveste Zone: 45-64 °F (7 - 18°C)	Øverste Zone: 41-60 °F (5 - 15°C); Laveste Zone: 45-64 °F (7 - 18°C)	41-64 °F (5 - 18°C);	41-64 °F (5 - 18°C);
NETTOVÆGT	101kg	122kg	100kg	120kg

# WEINKÜHLSCHRANK BEDIENUNGSANLEITUNG



PeVino – PBI58S

PeVino – PBI100S

PeVino – PBI58D

PeVino – PBI100D

**DANKE FÜR IHREN KAUF EINES WEINKÜHLSCHRANKS VON PEVINO.**

**BITTE LESEN UND BEFOLGEN SIE VOR DER NUTZUNG ALLE  
SICHERHEITSREGELN UND BEDIENUNGSANWEISUNGEN.**

## **ACHTUNG**

Änderungen in diesem Dokument können ohne Vorankündigung erfolgen.

### **Tipps zur Sicherheit**

Vor der Inbetriebnahme des Geräts muss es korrekt platziert und gemäß dieser Anleitung installiert sein. Deshalb bitte die Anleitung gründlich lesen. Befolgen Sie diese grundlegenden Verhaltensregeln, um Feuergefahr, die Gefahr von Stromschlägen oder Personenschäden bei der Nutzung des Geräts zu minimieren.



## **GEFAHR**

- Der Weinkühlschrank ist zur Befestigung an der Wand konzipiert. Falls er nicht an der Wand befestigt wird, kann das Gerät leicht umkippen, was Personenschaden oder den Tod zur Folge hat.
- Den Stecker in eine 3-polige Steckdose mit Erdung einstecken. Sie dürfen unter keinen Umständen den dritten Erdungsstift von der mitgelieferten Leitung entfernen oder abschneiden. Kein Verlängerungskabel verwenden.
- Wir empfehlen die Verwendung eines separaten Kreislaufs, der nur das Gerät bedient. Keine Steckdosen verwenden, die über einen Schalter oder eine Zugkette ausgeschaltet werden können.
- Die Teile des Geräts dürfen nie mit brennbaren Flüssigkeiten gereinigt werden. Benzin oder andere Dämpfe und Flüssigkeiten nie in der Nähe dieses oder anderer Geräte lagern. Die Dämpfe können Feuergefahr oder eine Explosion erzeugen.
- Vor der Reinigung oder Wartung den Stecker aus der Steckdose ziehen oder die Stromzufuhr unterbrechen. Andernfalls können elektrische Schläge oder der Tod eintreffen.

Versuchen Sie nicht, Teile des Geräts auszutauschen oder zu reparieren; es sei denn, dies wird ausdrücklich in dieser Anleitung empfohlen. Alle anderen Formen der Wartung müssen von einem professionellen Techniker übernommen werden.



## GEFAHR

- Das Gerät muss von zwei oder mehr Personen verschoben und installiert werden. Andernfalls können Rückenschäden oder andere Verletzungen auftreten.
- Um eine korrekte Belüftung des Geräts zu gewährleisten, darf auf der Vorderseite nichts im Weg stehen. Entscheiden Sie sich für einen gut belüfteten Bereich mit Temperaturen von über 10 °C und unter 38 °C. Dieses Gerät muss in einem Bereich installiert werden, der vor Witterungseinflüssen wie Wind und Regen sowie Spritzwasser und tropfendem Wasser geschützt ist.
- Das Gerät darf nicht neben Öfen, Grills oder anderen Wärmequellen platziert werden. Es darf ebenfalls nicht in extrem kalten Bereichen stehen.
- Das Gerät muss gemäß den für das jeweilige Land geltenden Regeln installiert werden. Eine Standard-Stromzufuhr (220 V-240V AC, 50 Hz), korrekt geerdet und den jeweiligen elektrischen Normen des Landes entsprechend, ist erforderlich.
- Die Leitung des Geräts darf nicht durchgebrochen oder abgeklemmt werden.
- Die Sicherung (oder der Schalter) muss 15 Ampere betragen.
- Es ist wichtig, dass das Gerät waagrecht steht, damit es korrekt funktioniert. Es sind gegebenenfalls weitere Justierungen erforderlich, damit das Gerät geradesteht.
- Kinder dürfen keinesfalls das Gerät bedienen, damit spielen oder hineinkriechen. Feststeckende Kinder und Ersticken sind nicht nur Probleme aus der Vergangenheit; aussortierte oder abgestellte Geräte sind noch immer gefährlich. Wenn Sie Ihren alten Weinkühlschrank nicht mehr nutzen, sollten die Tür abmontiert und die Regale im Schrank gelassen werden, damit den Kindern das Hineinklettern erschwert wird.
- Verwenden Sie für das Innere keine Reinigungs- oder Scheuermittel mit auflösender Wirkung, da das Innere so beschädigt oder verfärbt werden kann.
- Wegen möglicher Sicherheitsrisiken unter gewissen Bedingungen wird dringend davon abgeraten, für dieses Gerät ein Verlängerungskabel zu verwenden. Falls ein Verlängerungskabel erforderlich ist, muss unbedingt ein 3-gliedriges CE-Kabel verwendet werden. Es muss als Verlängerung für ein Gerät geeignet sein mit Erdung und Stecker. Eckdaten für das Stromkabel: 220V-240V und mindestens 10 Ampere.
- Falls das Gerät in einem Bereich mit kräftigen Überspannungen/Ausfällen verwendet wird, wird die Nutzung einer Schutzvorrichtung vor Stromschlägen empfohlen. Der Überspannungsschutz muss einen Überspannungsblock besitzen, der ausreichend hoch ist, um das angeschlossene Gerät zu schützen. Schäden, die durch Überspannung entstehen, werden nicht als ein vom Produzenten getragener Defekt angesehen und machen Ihre Produktgarantie ungültig.
- Die Leitung muss hinter dem Gerät befestigt werden und darf nicht hervorgucken oder lose hängen, um ungewollten Personenschaden zu vermeiden. Den Stecker nie durch ein Ziehen an der Leitung aus der

Steckdose entfernen. Der Stecker muss immer gut festgehalten und gerade aus der Steckdose gezogen werden. Es müssen sofort alle verschlissenen oder anderweitig beschädigten Stromkabel repariert oder ausgetauscht werden. Verwenden Sie keine Leitung mit Rissen oder Schäden in Längsrichtung oder an beiden Enden. Wenn das Gerät verschoben wird, muss darauf geachtet werden, dass die Leitung nicht beschädigt wird.

- Den Weinkühlschrank an eine Steckdose mit Erdung anschließen. Alle Fragen bezüglich des Stroms müssen an einen autorisierten Elektroinstallateur gerichtet werden.
- Die in dieser Anleitung beschriebenen Weinkühlschränke sind zur freistehenden und Einbauinstallation geeignet. Bitte beachten Sie, dass ein Weinkühlschrank nicht auf einem Boden mit Fußbodenheizung eingebaut werden sollte, da dies die Funktionalität des Weinkühlschranks beeinflussen kann.
- Dieses Gerät soll nicht für andere Zwecke als die zugeordneten verwendet werden.

Das Nichtbeachten dieser Sicherheitswarnungen kann zu umfassenden Produktschäden, schweren Personenschäden oder dem Tod führen.

## Diagramm und Beschreibung

Obere Zone Untere Zone



Ein / aus    auf / ab    Celsius / Fahrenheit    Auswahl oben / unten



1. Bedienpanel
2. Ausziehbare Regalböden
3. Lüftungsgitter vorne
4. Türscharnier
5. Verstellbare Füße
6. Griff (Griffe sind separat erhältlich)
7. Schloss
8. Halterung für Wandmontage

## Installationsanleitung

- VOR DER NUTZUNG:
- Die Innen- und Außenverpackung entfernen.
- Bevor das Gerät an die Stromversorgung angeschlossen wird, muss es ca. 2 Stunden aufrecht stehen. So wird das Risiko von Fehlern am Kühlsystem durch die Handhabung während des Transports reduziert.
- Die innenliegenden Oberflächen mit lauwarmem Wasser und einem weichen Lappen reinigen.
- Den Griff installieren.
- Dieses Gerät ist für die eingebaute (komplett versenkte) oder freistehende Installation konzipiert. Zunächst muss die Einheit mit dem Riemen/der Halterung an der Wand befestigt werden, und an den Weinkühlschrank muss Luft gelangen. Beim Einbau darf der Schrank nicht auf einen erwärmten Boden gestellt werden.
- Das Gerät muss auf einem flachen, stabilen Untergrund angebracht werden, der stark genug ist, wenn das Gerät komplett beladen ist. Um das Gerät waagrecht aufzustellen, wird das vordere Nivellierbein unten am Gerät eingestellt.
- Wenn der Weinkühlschrank verschoben wird, darf er um nicht mehr als 45 Grad geneigt werden.
- Das Gerät darf nicht direktem Sonnenlicht ausgesetzt werden oder in der Nähe von Wärmequellen stehen (Herd, Heizelement, Heizkörper usw.). Direkte Sonneneinstrahlung kann die Acrylbeschichtung beschädigen, und die Wärmequellen können den Stromverbrauch erhöhen. Extrem niedrige Umgebungstemperaturen können auch zu Fehlfunktionen am Gerät führen. Der optimale Temperaturbereich in der Umgebung beträgt 10 °C - 38 °C.
- Das Gerät darf nicht in eine feuchte Umgebung gestellt werden.
- Den Weinkühlschrank in eine einzelne, korrekt installierte Steckdose mit Erdung einstecken. Das dritte (Erdung) grüne Glied darf unter keinen Umständen durchgeschnitten oder von der Leitung entfernt werden. Eventuelle Fragen zu Strom und/oder elektrischer Erdung müssen an einen Elektriker oder an ein autorisiertes Produkt-Servicecenter gerichtet werden.
- Wenn das Gerät an eine Steckdose angeschlossen ist, muss es 3-4 Stunden lang abkühlen, bevor die Weinflaschen eingelegt werden.

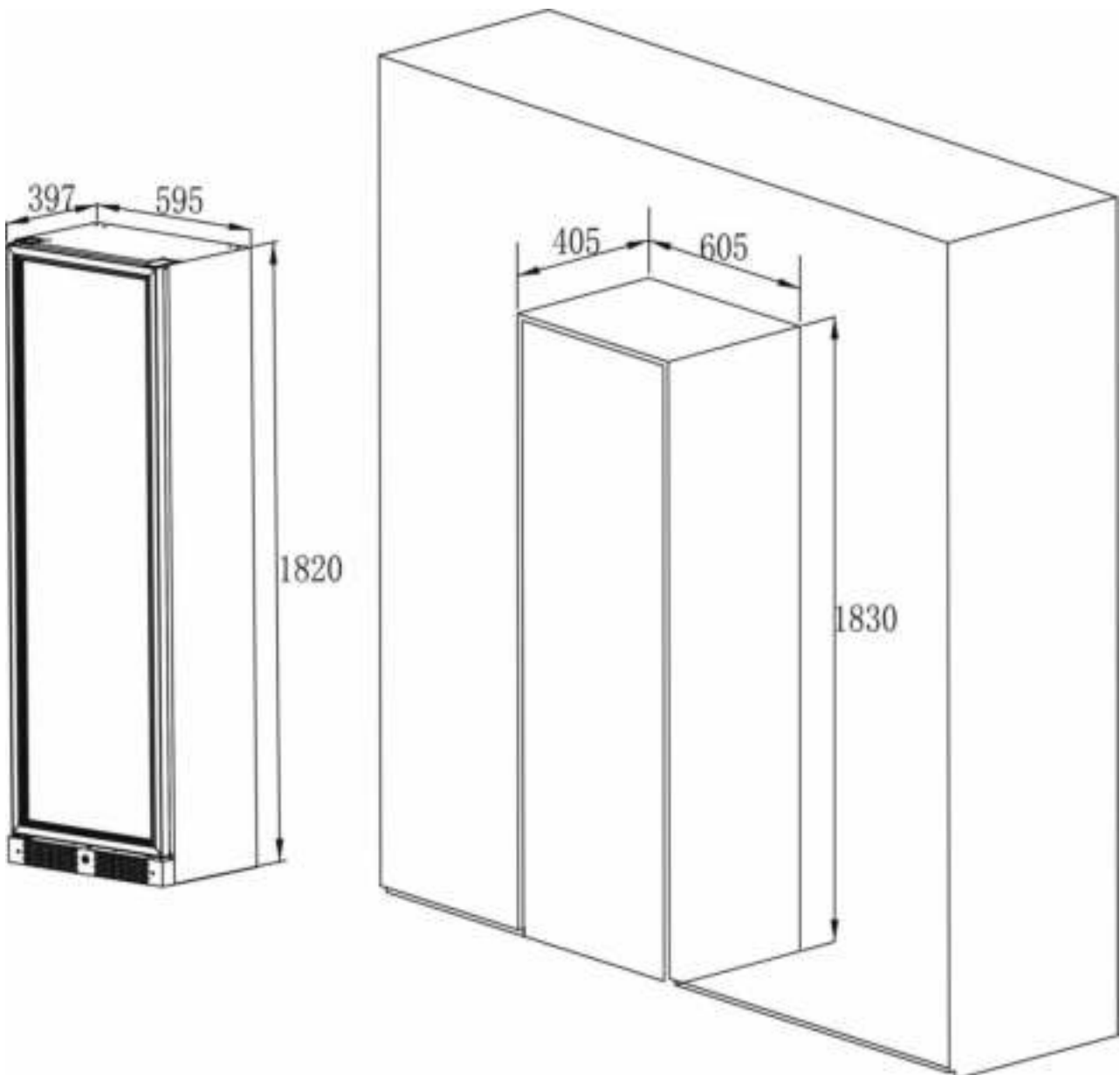


## Installationsdiagramme

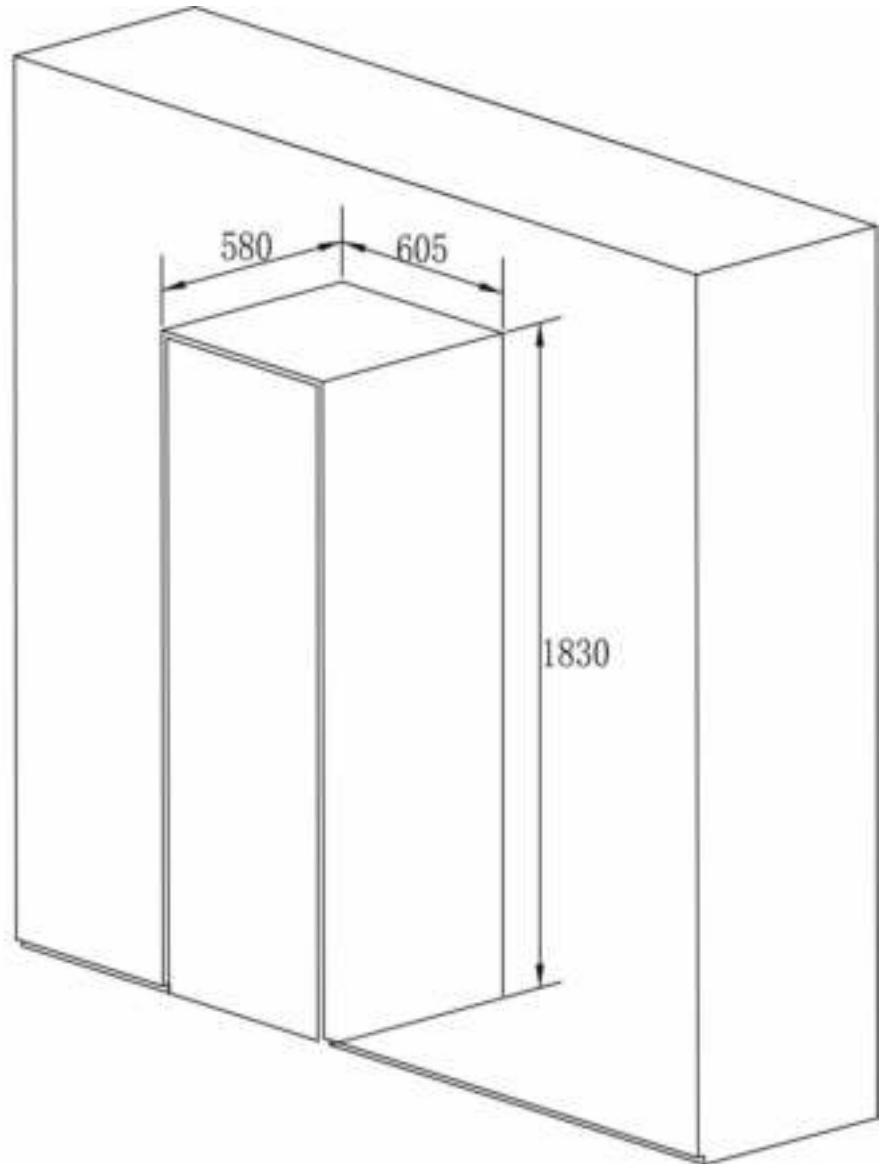
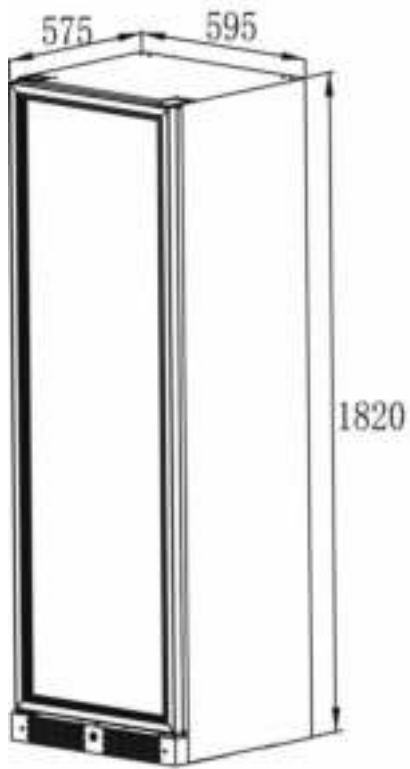
Dieser Weinkühlschrank ist für die freistehende Installation oder den Einbau in ein Schrankelement konzipiert. Das Schrankelement muss gut belüftbar sein und darf keine Schrankrückseite haben, da ansonsten die normale Funktion des Weinkühlschranks beeinträchtigt wird. Bitte befolgen Sie das Installationsdiagramm

**Achtung: Stecker und Kontakt müssen nach der Installation zugänglich sein.**

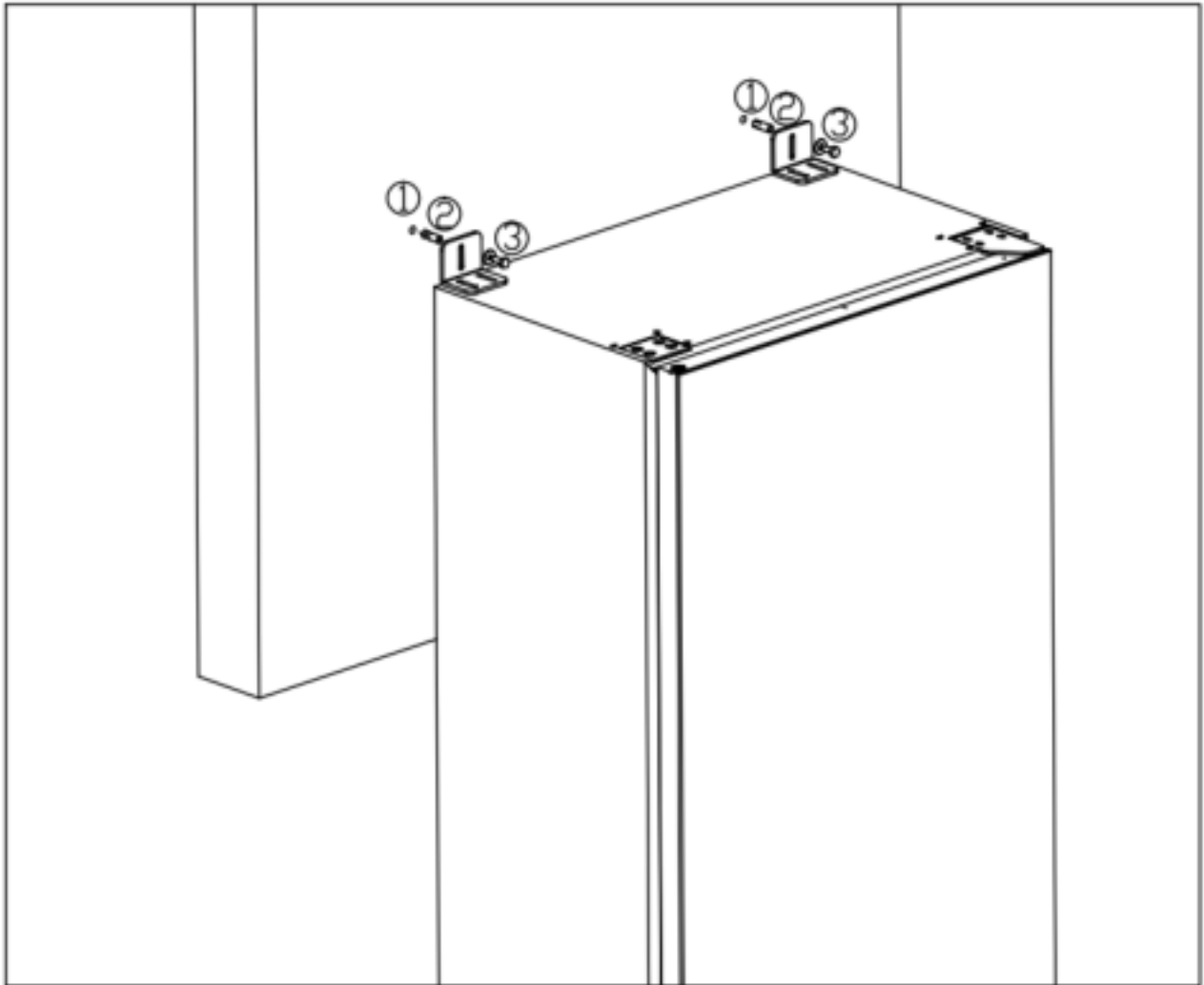
### PBI58S & PBI58D



**PBI100S & PBI100D**

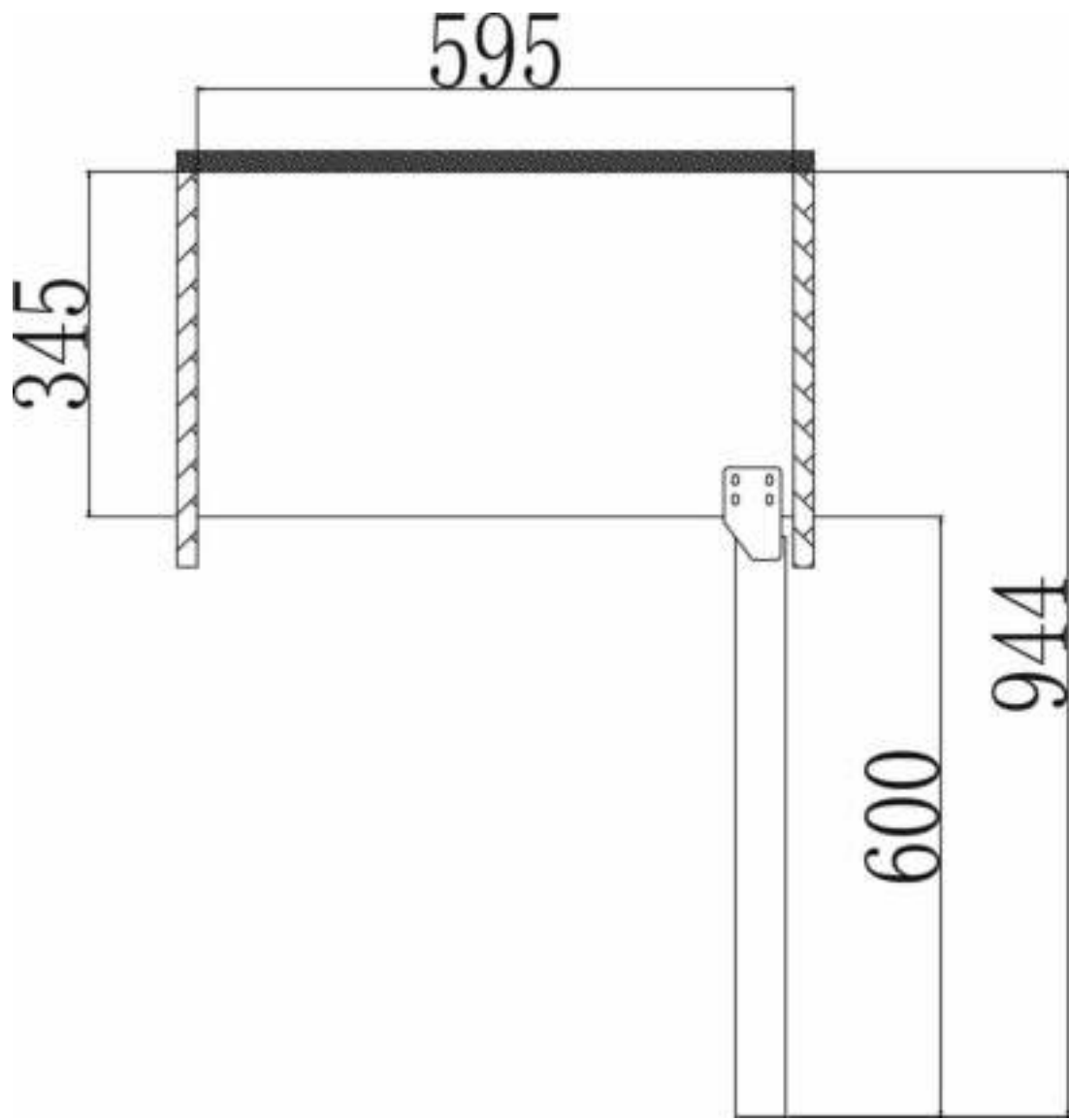


**WANDMONTAGE**

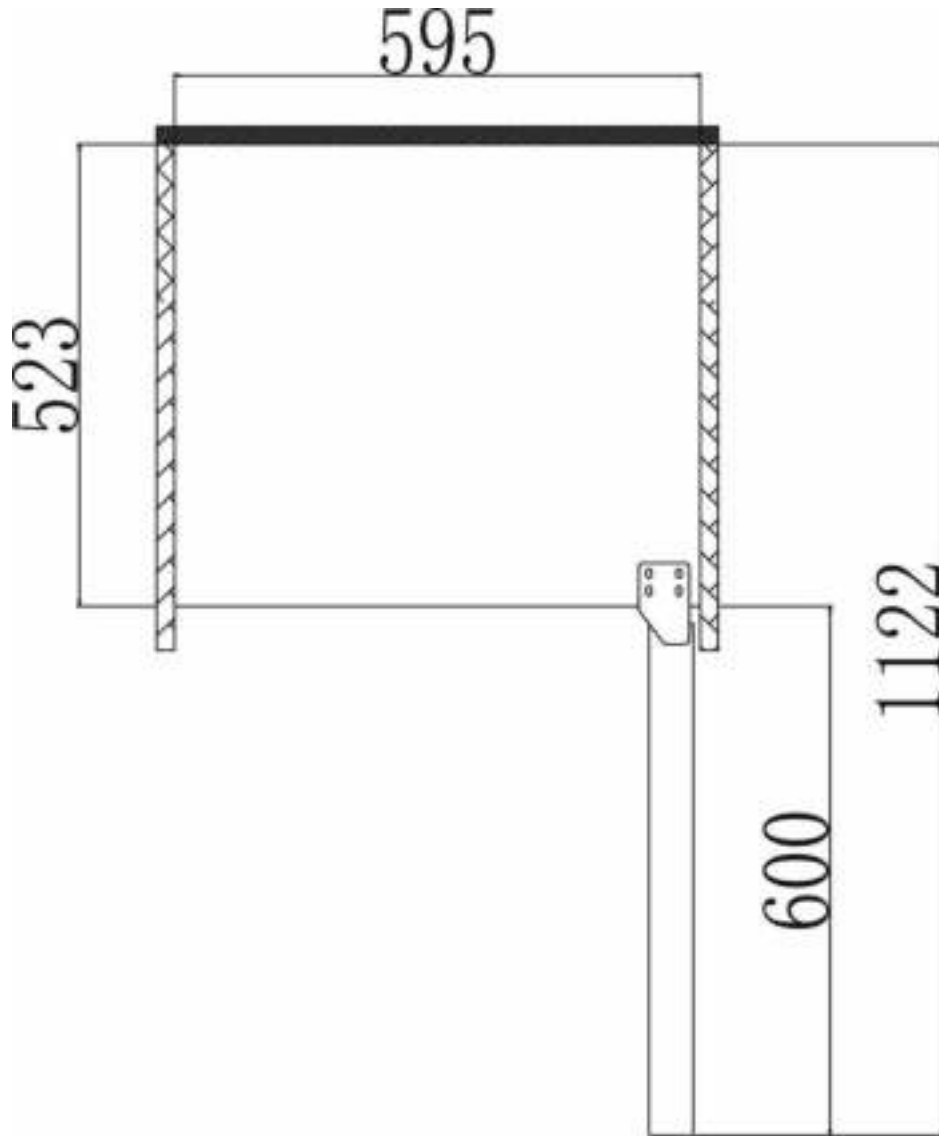


Türöffnung – Winkel und Abmessungen

PBI58S & PBI58D



**PBI100S & PBI100D**

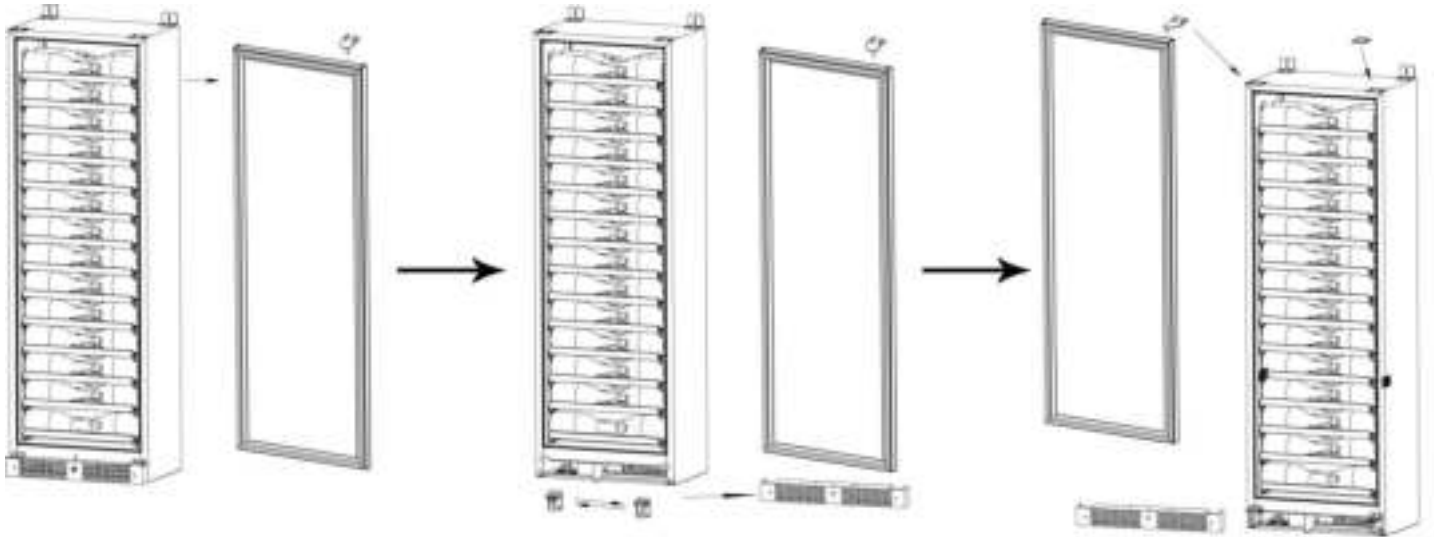


## Wenden der Tür

Schritt 1: Das Scharnier rechts oben entfernen, um die Tür zu entfernen.

Schritt 2: Das untere Gitter entfernen und das untere Scharnier austauschen.

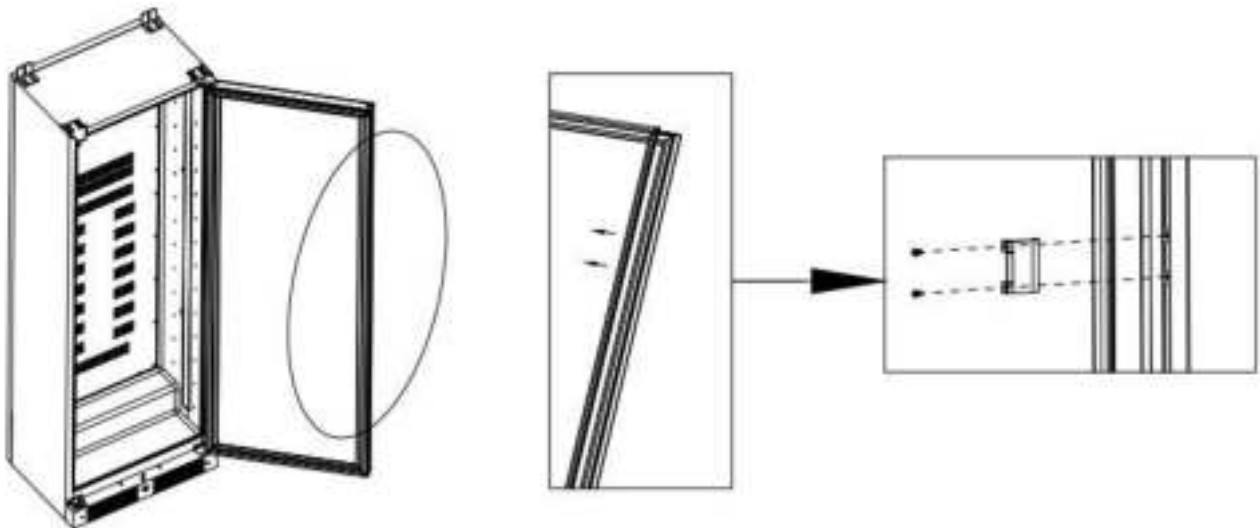
Schritt 3: Die Tür am Scharnier links unten befestigen, anschließend das Scharnier links oben befestigen. Die Scharnierabdeckung oben befestigen.



## Installation des Griffs

Schritt 1: Die schwarze Abdeckung entfernen.

Schritt 2: Die Schrauben durch die Löcher bohren und mit dem Griff verbinden.



## Anweisungen

Der Weinkühlschrank muss in einem Bereich aufgestellt werden, in dem die Umgebungstemperatur 10-38 Grad Celsius beträgt. Falls die Umgebungstemperatur darüber oder darunter liegt, kann die Leistung des Geräts beeinträchtigt werden. Falls Sie beispielsweise die Einheit an einen extrem kalten oder warmen Ort platzieren, kann dadurch die Innentemperatur schwanken.

Untere Zone

Obere Zone



Ein / aus

auf / ab

Celsius / Fahrenheit

Auswahl oben / unten

Ihr Weinkühlschrank hat vorne eine Bedienfläche. Die Bedienfläche enthält mehrere Funktionen zur Bedienung und Regulierung der Temperatur im Weinkühlschrank. Hierzu zählen:

ON/OFF - Das Gerät wird ein- oder ausgeschaltet.

UPPER ZONE - Zeigt die Temperatur in der oberen Zone an.

UP/DOWN-Taste – Erhöhen oder Senken der Temperatur in Intervallen von 1 Grad.

LOWER ZONE - Zeigt die Temperatur in der unteren Zone an.

°C / °F – Gibt an, ob die Temperatur in Celsius oder Fahrenheit angezeigt wird.

°C / °F-Taste – Schaltet die in Celsius und Fahrenheit angezeigten Temperaturen ein/aus.

LIGHT – 1. Durch das Betätigen der LIGHT-Taste wird das Licht ein- und ausgeschaltet oder die Lichtfarbe geändert. Die Reihenfolge der Änderung lautet: ON, rot, orange, grün, blau, weiß, OFF.

2. Während auf die LIGHT-Taste gedrückt wird, muss die UP-Taste betätigt werden, um die Helligkeit zu erhöhen oder die DOWN-Taste, um die Helligkeit zu reduzieren. Die Helligkeit ist in 5 Niveaus unterteilt: 20 %, 40 %, 60 %, 80 % und 100 %

SELECT – Wechsel zwischen oberer und unterer Zone zur Temperatureinstellung.

UPPER/LOWER – Zeigt an, ob die Temperatur in der oberen oder unteren Zone eingestellt wird.

Wenn man in den Urlaub fährt, kann der Weinkühlschrank maximal 3 Wochen lang verlassen werden. Falls das Gerät mehrere Monate lang nicht genutzt wird, müssen alle sich darin befindlichen Gegenstände entfernt werden und das Gerät wird ausgeschaltet. Den Innenraum gründlich reinigen und trocknen. Um Schimmelbildung zu verhindern, sollte die Tür ein wenig geöffnet sein.

## Einstellung der Temperatur

Dieses Gerät ist ausschließlich zur Lagerung von Wein konzipiert. Andere Gegenstände sollten möglichst nicht vor dem Gebläse und dem Lufteinlass stehen, damit der Lufteinlass nicht blockiert und somit der Kühleffekt verringert wird. Dieses Gerät eignet sich nicht zum Lagern von anderen Lebensmitteln. Die Temperatur des Weinkühlschranks soll an den Wein, der gelagert werden soll, angepasst werden.

Dieses Produkt ist zum Kühlen von Wein konzipiert. Die Standardtemperatur ist werksseitig auf 12°C eingestellt.

Alle Weine reifen optimal bei derselben Ideal-Temperatur, welche eine konstante Temperatur zwischen 12 °C und 14 °C ist. Wie bei natürlichen Weinkellern, die von Winzern zur Langzeitlagerung von Wein verwendet werden, ist nicht die präzise Temperatur ausschlaggebend, sondern deren Konsistenz. Mit anderen Worten: solange die Temperatur des Weinkühlschranks konstant ist (12 °C - 14 °C), werden Ihre Weine unter idealen Bedingungen gelagert.

Sie können die gewünschte Temperatur durch das Betätigen von UP oder DOWN einstellen. Wenn Sie die Tasten zum ersten Mal betätigen, zeigt das LED-Display die Temperatur an, auf die der Weinkühlschrank ursprünglich eingestellt worden war. Durch jedes Betätigen der Taste wird die Temperatur um ein Grad in die gewünschte Richtung justiert. Bitte beachten Sie, dass die gewünschten Temperaturen schwanken können, je nachdem, ob die Innenbeleuchtung ein- oder ausgeschaltet ist und je nach Ausrichtung der Flaschen.

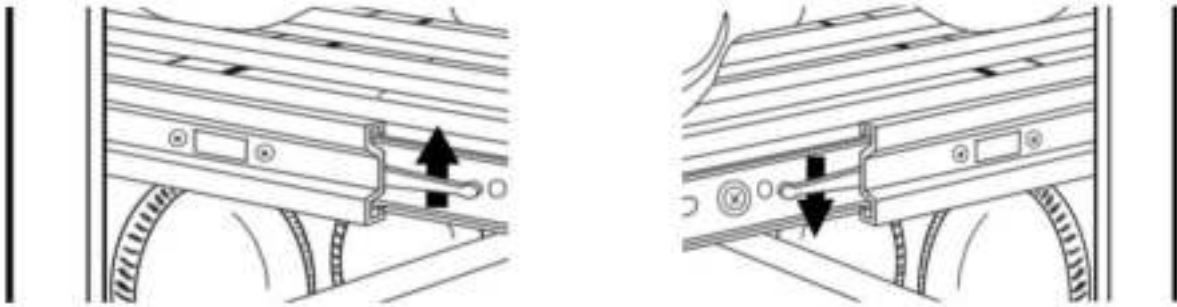
- Sie können die gewünschte Temperatur durch das Betätigen von UP oder DOWN einstellen. Wenn Sie die Tasten zum ersten Mal betätigen, zeigt das LED-Display die Temperatur an, auf die der Weinkühlschrank werksseitig eingestellt worden war. Durch jedes Betätigen der Taste wird die Temperatur um ein Grad in die gewünschte Richtung justiert. Bitte beachten Sie, dass die gewünschten Temperaturen schwanken können, je nachdem, ob die Innenbeleuchtung ein- oder ausgeschaltet ist und je nach Ausrichtung der Flaschen.
- Bei einem Stromausfall werden alle früheren Temperatureinstellungen automatisch gespeichert, und jedes Fach kehrt zur vorherigen Temperatureinstellung zurück.
- Falls die Stromzufuhr zum Gerät unterbrochen worden ist, der Strom ausfällt oder abgeschaltet wird, müssen Sie vor einem erneuten Hochfahren 3-5 Minuten warten. Ein Versuch des Hochfahrens vor dieser Zeitspanne kann den Start des Geräts verhindern.
- Wenn der Weinkühlschrank zum ersten Mal in Betrieb genommen oder nach einem langen Zeitraum neu gestartet wird, werden in den ersten Betriebsstunden einige Grade Differenz zwischen der gewählten Temperatur und der

auf dem LED-Display angegebenen Temperatur auftreten. Nachdem das Gerät einige Stunden lang in Betrieb gewesen ist, wird sich die Temperatur auf dem Niveau der angezeigten Temperatur einpendeln.



## Regalinstallation

Verteilen Sie Ihre Flaschen gleichmäßig im ganzen Gerät, um das Gewicht nicht nur auf einen Bereich zu konzentrieren. Dies trägt ebenfalls zu einem gleichmäßigen Temperaturbereich im gesamten Gerät bei. Achten Sie darauf, dass die Flaschen nicht alle entweder ganz oben oder ganz unten im Schrank gruppiert sind. Versuchen Sie nie, mehr als einen ausziehbaren Regalboden zur Zeit herauszuziehen, da so das Gerät nach vorne kippen kann.



Alle ausziehbaren Regalböden sind herausnehmbar. Um einen Regalboden zu entfernen, muss er so weit wie möglich herausgezogen werden. Beide Seiten des Regalbodens sind in der Nähe der Rollen mit Griffen versehen. Heben Sie den Griff auf der linken Seite an und drücken Sie den Griff auf der rechten Seite nach unten, um den Regalboden aus den Schienen zu ziehen.

## Pflege und Wartung

Reinigung des Weinkühlschranks:

- Schalten Sie das Gerät ab, ziehen Sie den Stecker aus der Steckdose und entfernen Sie alle Gegenstände.
- Reinigen Sie die Oberflächen innen mit warmem Wasser und aufgelöstem Backpulver. Die Lösung muss aus ca. 2 EL Backpulver und 0,25 l Wasser bestehen.
- Die Regalböden mit einer milden Reinigungsmittellösung abwischen.
- Das überschüssige Wasser aus dem Schwamm oder Tuch wringen, wenn das Display oder eventuelle elektrische Teile gereinigt werden.
- Den Schrank außen mit warmem Wasser und mildem, flüssigem Reinigungsmittel reinigen. Feucht abwischen und mit einem sauberen, weichen Tuch nachtrocknen.
- Das Frontgitter und die Rückseite des Geräts müssen zweimal pro Jahr abgestaubt werden. Die Stromzufuhr muss unterbrochen sein, bevor der Schrank gereinigt wird.
- Wir empfehlen eine jährliche Reinigung des Geräts innen und außen, um die Lebensdauer des Produkts zu maximieren.

Verschieben des Weinkühlschranks:

- Entfernen Sie alle Flaschen und andere Gegenstände, die sich im Gerät befinden.
- Alle losen Gegenstände (Regalböden) müssen mit Klebeband am Apparat befestigt werden. Auch die Tür muss mit Klebeband geschlossen werden.
- Wenden Sie das verstellbare Bein nach oben, um Schäden zu vermeiden.
- Sorgen Sie dafür, dass das Gerät während des Transports sicher aufrecht steht.
- Schützen Sie die Außenseite mit einer Decke oder ähnlichem.

## Fehlerfindung:

Viele der gewöhnlichen Probleme, die am Weinkühler auftreten, können sehr einfach ohne Tätigkeit eines Wartungsanrufs gelöst werden. Probieren Sie die untenstehenden Tipps bei der Fehlerfindung am Gerät aus:

PROBLEM	MÖGLICHE URSACHE	LÖSUNG
<b>1. Kühlschrank funktioniert nicht</b>	1. Nicht angeschlossen. 2. Das Gerät ist am Bedienpanel ausgeschaltet. 3. Die Steckdose hat keinen Strom oder eine zu niedrige Ausgangsspannung. 4. Der Schalter ist aktiviert oder eine Sicherung ist defekt.	1. Auf ON drücken. 2. Überprüfen und sicherstellen, dass der Stecker korrekt angeschlossen ist. 3. Einen Techniker kontrollieren lassen, ob die Steckdose die richtige Ausgangsspannung hat. 4. Hilfe von einem Techniker einholen.
<b>2. Der Kühlschrank ist nicht ausreichend kalt; kann nicht auf die vorprogrammierte Temperatur abkühlen</b>	Der Kompressor startet nicht.	Einen Techniker den Anschluss des Kompressors kontrollieren lassen.
	Die Umgebungstemperatur ist zu hoch (über 100 °F   38 °C).	Den Kühlschrank an einen kühlen und belüfteten Ort stellen.
	Zu viele Flaschen auf einmal eingelegt.	Die Flaschen partienweise einlegen. Es wird empfohlen, 1/3 der vollen Belastung nicht auf einmal zu überschreiten. Nachdem die Temperatur im Schrank auf die eingestellte Temperatur gefallen ist, kann die nächste Partie eingelagert werden.
	Ein- und Auslass am Frontgitter sind blockiert.	Gegenstände, die den Ein- und Auslass blockieren können, entfernen.
	Die Tür schließt nicht richtig oder die Dichtung ist nicht korrekt versiegelt.	Siehe Problem #6 „Die Tür schließt nicht richtig“ und die entsprechenden Lösungen.

	Die Tür wurde zu lange oder zu häufig geöffnet.	Danach den Stecker 5 Stunden lang aus der Steckdose entfernen, darauf warten, dass das Eis am Verdampfer schmilzt, den Kühlschrank neu starten.
	Andere Gegenstände als die Getränkeflaschen im Schrank beeinträchtigen die Luftzirkulation.	Die Anzahl/Häufigkeit der Türöffnungen reduzieren.
	Falls der Kühlschrank draußen oder an einem Ort mit viel Staub/Ölflecken, wird sich nach einer Weile eine große Menge Staub am Kondensator ansammeln, was den Kühleffekt beeinträchtigt.	Dieser Kühlschrank ist zur Lagerung von Wein konzipiert. Falls sich darin andere Gegenstände befinden, müssen diese entfernt werden. Die Anzahl der Flaschen, die auf jeder Ebene gelagert werden, darf nicht die Standardmenge überschreiten.
	Gebälse (Kondensatorgebläse oder Verdunstungsgebläse) funktionieren nicht mehr oder funktionieren bei niedriger Geschwindigkeit.	Den Techniker kontrollieren lassen, ob am Gebläseterminal eine Standardspannung beim Einschalten des Stroms vorliegt. Falls die Spannung anormal ist, müssen Sie die Stromzufuhr der Kupplung oder die Hauptplatine überprüfen oder untersuchen, ob es einen Kurzschluss gegeben hat. Falls die Spannung normal ist, kann das Gebläse beschädigt werden. Es muss durch ein neues Gebläse ersetzt werden.
	Der Kompressor oder dessen Zubehör sind beschädigt.	Die Stromzufuhr unterbrechen und vom Techniker untersuchen lassen.
<b>3. Der Kompressor startet und stoppt häufig</b>	Die Tür schließt nicht richtig.	Siehe Problem #6 „Die Tür schließt nicht richtig“ und die entsprechenden Lösungen.
	Die Türdichtung ist nicht korrekt versiegelt.	Danach den Stecker 5 Stunden lang aus der Steckdose entfernen, darauf warten, dass das Eis am Verdampfer schmilzt, den Kühlschrank neu starten.
	Die Tür wird zu häufig geöffnet.	1. Mit einem Föhn auf niedriger Stufe die Türversiegelung in die richtige Form bringen.
	Die Umgebungstemperatur ist zu hoch (über 100 °F   38 °C).	Den Kühlschrank an einen kühlen und belüfteten Ort stellen.

	Falsche Einstellung der Temperatur und Temperaturvarianz.	Die Temperatur und deren Abweichungen korrekt erhöhen.
	Der Temperaturfühler ist nicht korrekt angeschlossen.	Das Leitungsdiagramm lesen, um den korrekten Anschluss des Sensoren vorzunehmen.
	Der Sensor ist defekt.	Durch einen neuen Sensor ersetzen.
<b>4. Das Licht funktioniert nicht</b>	Nicht angeschlossen, oder der Lichtschalter steht auf „OFF“. Helligkeit nicht ausreichend. Das Licht ist defekt. Der Leiterplatten-Kreislauf ist defekt.	<ol style="list-style-type: none"> <li>1. Die Helligkeit der Lampe gemäß Bedienungsanleitung justieren.</li> <li>2. Die Birne austauschen; die Lampe hat ihre Polarität.</li> <li>3. Von einem Techniker reparieren lassen.</li> </ol>
<b>5. Der Kühlschrank macht zu viele Geräusche</b>	Keine Standzeit vor dem Anschluss an die Stromzufuhr.	Die Stromzufuhr unterbrechen und mehrere Stunden lang stehen lassen.
	Die Füße des Schrank sind nicht eben; Vibrationen führen zu Geräuschen.	Die Standfüße justieren und darauf achten, dass sie waagrecht stehen.
	Der Boden ist nicht ausreichend stabil.	Auf einen soliden und stabilen Boden stellen.
	Das Material bewegt sich durch Wärme und Kälte; Geräusche aus dem Inneren und vom Kunststoff.	Es sind keine Maßnahmen erforderlich. Es verschwindet allmählich.
	Kupferrohre treffen auf andere Objekte und verursachen Geräusche.	Vorsichtig die Rohrposition ändern.
	Vibrationen der beweglichen Teile werden innen durch Materialträgheit verursacht, wenn der Kompressor gestoppt oder gestartet wird.	Es ist normal; keine Maßnahmen erforderlich.
	Ein fließendes Geräusch kann vom Strom der Kühlschranks gasen stammen.	Wenn der Zyklus endet, können gluckernde Geräusche zu hören sein. Es ist normal; keine Maßnahmen erforderlich.
	Vibration von Kühlrohren aus Kupfer oder Gebläse, welche auf andere Objekte treffen.	Die Rückseite des Kühlschranks öffnen und die Kupferrohre sowie Leitungen justieren, so dass sie keine anderen Gegenstände treffen oder einen Widerhall verursachen.

	Fehler am Kompressor oder Gebläse.	Von einem Techniker reparieren lassen.
<b>6. Die Tür schließt nicht korrekt.</b>	Die Tür ist von Flaschen blockiert, die keine Standardgröße haben.	Die Platzierung der Flaschen oder die Anzahl der Regalböden ändern.
	Die Scharniere oben und unten an der Tür sind lose.	Das Türscharnier einstellen und befestigen.
	Das Versiegelungsgummi der Tür ist deform.	1. Mit einem Föhn auf niedriger Stufe die Türversiegelung in die richtige Form bringen.
	Der Türrahmen ist deform.	Durch eine neue Tür ersetzen.
<b>7. Der Verdampfer vereist</b>	Die Tür schließt nicht richtig oder die Dichtung ist nicht korrekt versiegelt.	Siehe Problem #6 „Die Tür schließt nicht richtig“ und die entsprechenden Lösungen.
	Schlechte Kühlleistung. Der Kühlschrank kühlt nicht oder kann nicht den eingestellten Temperaturwert erreichen.	Danach den Stecker 5 Stunden lang aus der Steckdose entfernen, darauf warten, dass das Eis am Verdampfer schmilzt, den Kühlschrank neu starten.
	Der Kompressor ist im Dauerbetrieb, obwohl der Kühlschrank kühlt und den eingestellten Temperaturwert erreicht,	Siehe Problem #2 „Der Kühlschrank ist nicht kalt genug; kann die eingestellte Temp. nicht erreichen“ und die entsprechenden Lösungen. Danach den Stecker 5 Stunden lang aus der Steckdose entfernen, darauf warten, dass das Eis am Verdampfer schmilzt, den Kühlschrank neu starten.
<b>8. Das Außengehäuse wirkt zu warm</b>	Die Umgebungstemperatur ist zu hoch (über 100 °F   38 °C).	Den Kühlschrank an einen kühlen und belüfteten Ort stellen.
	Ein- und Auslass am Frontgitter sind blockiert.	Gegenstände, die den Ein- und Auslass blockieren können, entfernen.
	Falls der Kühlschrank draußen oder an einem Ort mit viel Staub/Ölflecken aufgestellt ist, wird sich nach einer Weile Staub am Kondensator ansammeln, was den Kühleffekt beeinträchtigt.	Den Kühlschrank an einen Ort mit weniger Staub stellen, regelmäßig die Staubmenge kontrollieren und mit einem Gebläse reinigen.
	Das Kondensatorgebläse funktioniert nicht mehr oder funktioniert bei niedriger Geschwindigkeit.	Den Techniker kontrollieren lassen, ob am Gebläseterminal eine Standardspannung beim Einschalten des Stroms vorliegt. Falls die Spannung anormal ist, müssen Sie die Stromzufuhr der Kupplung oder die Hauptplatine überprüfen oder untersuchen,

		ob es einen Kurzschluss gegeben hat. Falls die Spannung normal ist, kann das Gebläse beschädigt werden. Es muss durch ein neues Gebläse ersetzt werden.
<b>9. Kondensatbildung an der Glastür</b>	Die Luftfeuchtigkeit in der Umgebung ist hoch.	Mit einem weichen Tuch die Feuchtigkeit aufnehmen.
	Die Tür wird zu häufig geöffnet.	Die Häufigkeit der Türöffnungen reduzieren.
	Die Tür schließt nicht richtig.	Siehe Problem #6 „Die Tür schließt nicht richtig“ und die entsprechenden Lösungen. Den Stecker 5 Stunden lang aus der Steckdose entfernen, darauf warten, dass das Eis verschwindet.
<b>10. Auslaufendes Wasser (außerhalb des Gehäuses)</b>	Es tropft Kondenswasser von der Glastür auf den Boden.	Siehe Problem #9 „Kondensatbildung an der Glastür“ und dessen Lösungen.
	Das Wasser in der Auffangschale neben dem Kompressor läuft über.	Die Abdeckung des Kompressors öffnen und sicherstellen, dass sich das Wasserrohr in der Auffangschale befindet.
<b>11. Auslaufendes Wasser im Gehäuse</b>	Der Abfluss der Auffangschale unter dem Verdampfer ist blockiert.	Die blockierende Masse entfernen.
	Das Wasserrohr, das unter dem Verdampfer an die Auffangschale angeschlossen ist, fällt ab.	Das Wasserrohr erneut anschließen, festkleben und mit Kabelbindern fixieren.
	Die Auffangschale kann nicht alle Wassertropfen vom Verdampfer aufnehmen.	Den Verkäufer oder einen autorisierten Techniker kontaktieren.
<b>12. Hohe Luftfeuchtigkeit im Schrank oder Kondensatbildung an der Flaschenoberfläche</b>	Die Luftfeuchtigkeit in der Umgebung ist hoch.	Den Kühlschrank an einen kühlen und belüfteten Ort stellen.
	Die Tür wurde zu lange oder zu häufig geöffnet.	Die Anzahl/Häufigkeit der Türöffnungen reduzieren.
	Die Tür schließt nicht richtig.	Siehe Problem #6 „Die Tür schließt nicht richtig“ und die entsprechenden Lösungen.
<b>13. Temperaturunterschied Zwischen Flaschen im Schrank ist zu groß</b>	Andere Gegenstände als die Getränkeflaschen im Schrank beeinträchtigen die Luftzirkulation.	Dieser Kühlschrank ist zur Lagerung von Wein konzipiert. Falls sich darin andere Gegenstände befinden, müssen diese entfernt werden. Die Anzahl der Flaschen, die auf den jeweiligen Ebenen liegen, dürfen nicht die Standardkonfiguration überschreiten.

	Die Betriebsdauer ist zu kurz und das System hat noch keinen stabilen Zustand erreicht.	Es sind keine Maßnahmen erforderlich. Nach einer Verlängerung der Kühldauer wird die Temperatur im Schrank gleichmäßig sein.
	Die oberen und unteren Temperaturen sind nicht korrekt vorprogrammiert (gilt nur für Weinkühlschränke mit zwei Zonen).	Den Wert der Temperatureinstellung anpassen. Die beste Einstellung ist, wenn der vorprogrammierte Wert in der UNTEREN Zone 5 °C höher als der in der OBEREN Zone ist.
<b>14. Der Verbrauch unterscheidet sich vom Wert auf der Plakette</b>	Der Stromverbrauch ist mit vielen Faktoren verbunden wie z. B.  Flaschen im Schrank, vorprogrammierte Temperatur und Spannungsniveau. Die tatsächliche Situation kann vom Verbrauch abweichen, der auf der Plakette angegeben ist. Das ist völlig normal.	Es sind keine Maßnahmen erforderlich.
<b>15. Unvollständige Anzeige</b>	Bei den Zahlen auf dem Display fehlen ein oder zwei Striche.	Die Leitung des Displays ist unzureichend angeschlossen. In den meisten Fällen beeinflusst dies nicht die Kühlfunktion des Kühlschranks.
	Das Display wird nicht angezeigt, aber die Tasten.	Von einem Techniker reparieren lassen.
<b>16. Tastenfehler</b>	Die Tür ist zu lange geöffnet, was zu erhöhter Kondensatbildung am Glaspanel führt.	Die Tür nicht lange öffnen, wenn das Gerät eingeschaltet ist, wird 10 Minuten nach dem Schließen der Tür der Normalzustand erreicht.
	Signale von PKW, Föhnen, Induktionsherdplatten und Handys stören versehentlich den Weinschrank.	Entfernen Sie sich von der Signalquelle, unterbrechen Sie die Stromzufuhr und ziehen Sie den Stecker heraus. Anschließend den Kühlschrank neu starten.
	Fehler bei Anzeige oder an der Steuerplatine.	Von einem Techniker reparieren lassen.
<b>17. Geruch im Schrankinneren</b>	Das neue Gerät kann eine geringe Menge umweltfreundlichen Reiniger absondern.	Es ist kein Handeln erforderlich; es verschwindet allmählich.

	Duft von Holzeinlegeböden.	Es ist kein Handeln erforderlich; es verschwindet allmählich.
<b>18. Fehlercode U1, C1, U2 oder C2</b>	Der Fehlercode U1 oder C1 bedeutet, dass der Sensor in der UPPER-Zone einen Kurzschluss erfahren hat oder dass ein offener Kreislauf vorliegt.	Der Sensor in der UPPER-Zone ist defekt oder der Stecker/Stecker mit UP-Kennzeichnung an der Leiterplatte ist ungenügend angeschlossen. Die Verbindung kontrollieren oder den Sensor austauschen.
	Der Fehlercode U2 oder C2 bedeutet, dass der Sensor in der LOWER-Zone einen Kurzschluss erfahren hat oder dass ein offener Kreislauf vorliegt.	Der Sensor in der LOWER-Zone ist defekt oder der Stecker/Stecker mit UP-Kennzeichnung an der Leiterplatte ist ungenügend angeschlossen. Die Verbindung kontrollieren oder den Sensor austauschen.
<b>19. Fehlercode HH</b>	Hochtemperaturalarm	Siehe Problem #2 „Der Kühlschrank ist nicht kalt genug; kann die eingestellte Temp. nicht erreichen“ und die entsprechenden Lösungen. Den Stecker danach 5 Stunden lang aus der Steckdose entfernen und den Kühlschrank neu starten.
<b>20. Fehlercode LL</b>	Alarm bei niedriger Temperatur	<ol style="list-style-type: none"> <li>1. Den Stecker 5 Stunden lang aus der Steckdose entfernen, den Kühlschrank neu starten und erneut kontrollieren.</li> <li>2. Die Sensoren und die Steuerplatine kontrollieren oder austauschen.</li> <li>3. Das elektromagnetische Ventil kontrollieren oder austauschen.</li> </ol>



## Technische Spezifikationen

MODELLNR.	<b>PBI58D-HHB</b>	<b>PBI100D-HHB</b>	<b>PBI58S-HHB</b>	<b>PBI100S-HHB</b>
VOLUMEN	209 L	355 L	213 L	362 L
ABMESSUNGEN	595B*397T*1820H	595B*575T*1820H	595B*397T*1820H	595B*575T*1820H
KÜHLUNGSART	Kompressor mit Gebläse mit Luftzirkulation	Kompressor mit Gebläse mit Luftzirkulation	Kompressor mit Gebläse mit Luftzirkulation	Kompressor mit Gebläse mit Luftzirkulation
KLIMAKATEGORIE	SN/N/ST	SN/N/ST	SN/N/ST	SN/N/ST
STROMSTÖSSE	I	I	I	I
SCHUTZKLASSIFIZIERUNG	220-240V	220-240V	220-240V	220-240V
NENNSPANNUNG	0.5A	0.5A	0.5A	0.5A
NENNLEISTUNG (W)	R600a	R600a	R600a	R600a
UMGEBUNGSTEMPERATUR	50 - 100 °F (10 -38 °C)	50 - 100 °F (10 -38°C)	50 - 100 °F (10 -38°C)	50 - 100 °F (10 -38 °C)
TEMPERATURBEREICH	Obere Zone: 41-60 °F (5 - 15 °C); Untere Zone: 45-64 °F (7 - 18 °C)	Obere Zone: 41-60 °F (5 - 15 °C); Untere Zone: 45-64 °F (7 - 18 °C)	41-64 °F (5 - 18 °C);	41-64 °F (5 - 18°C);
NETTOGEWICHT	101 kg	122 kg	100 kg	120 kg