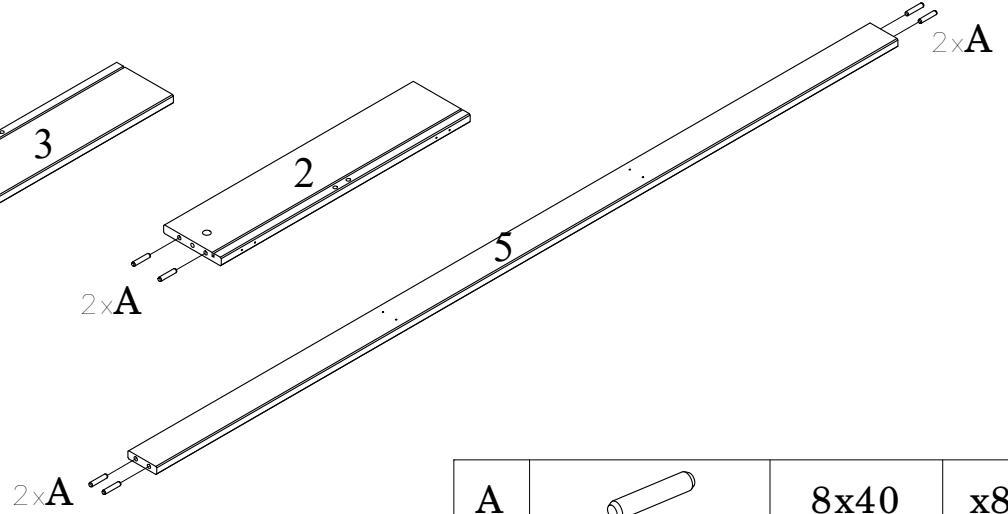
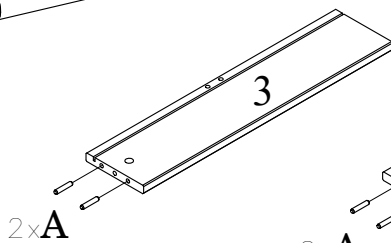
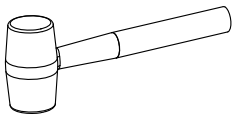


A		8x40	x8
B		7x34	x2
C		15x12	x2
D		3,5x40	x4
E		3,5x20	x2

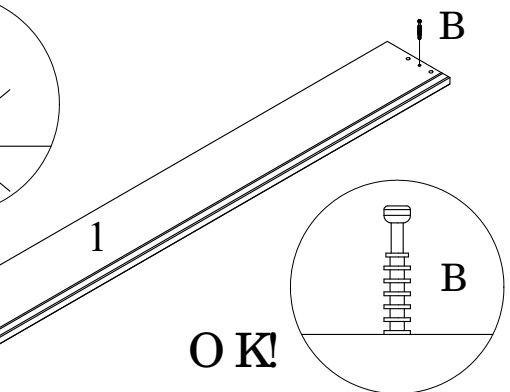
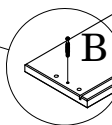
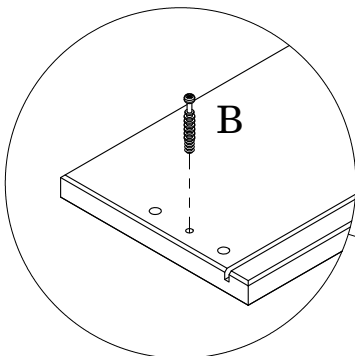
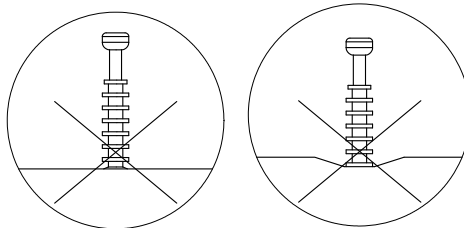
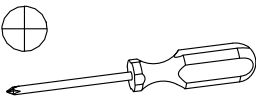
F		1,6x16	x25
G		3,5x16	x12
H		D26	x6
J		D19x19	x2
K		4x35	x2

1



A		8x40	x8
---	--	------	----

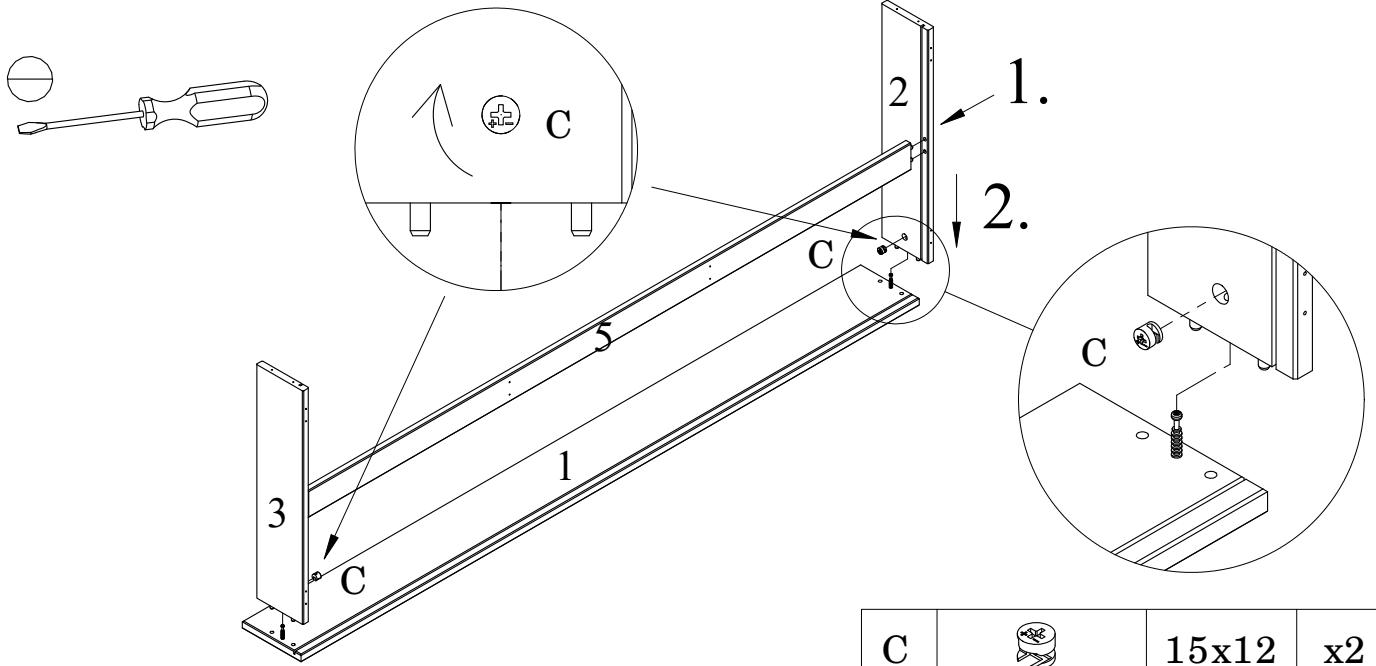
2



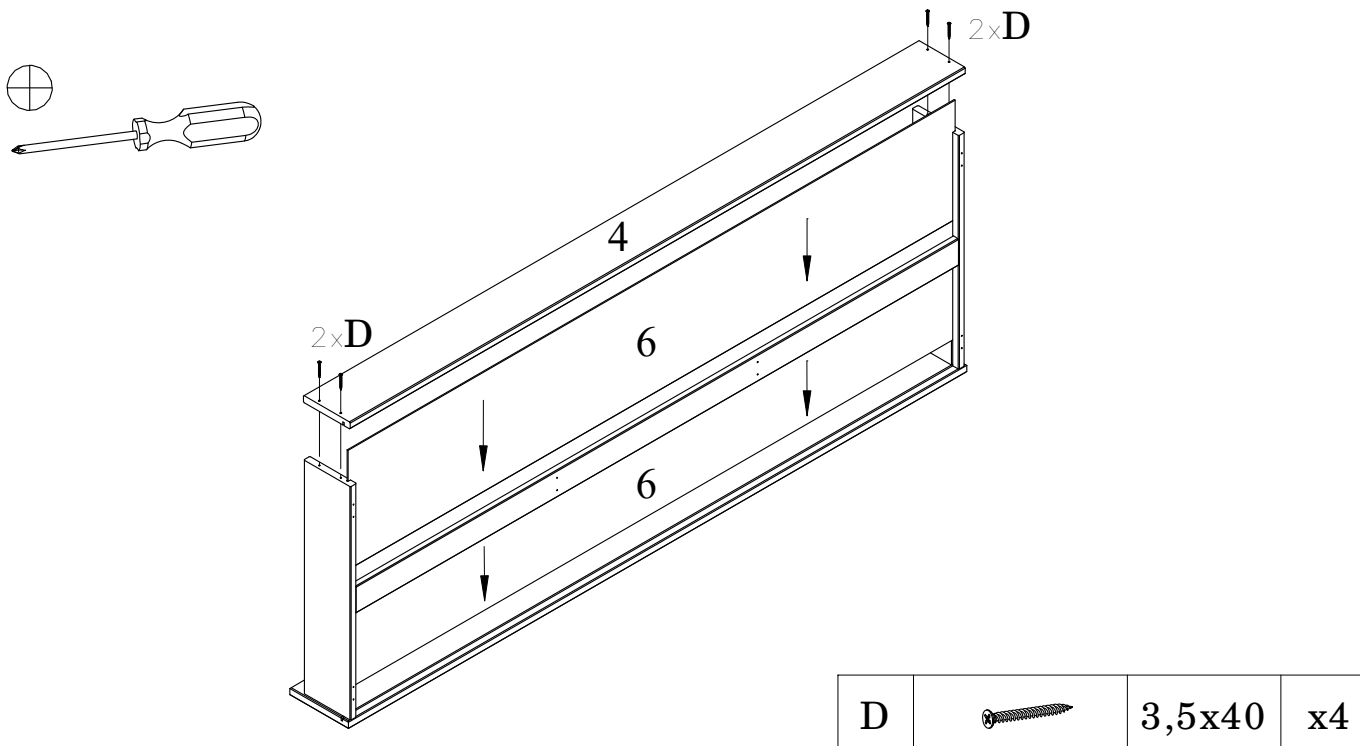
OK!

B		7x34	x2
---	--	------	----

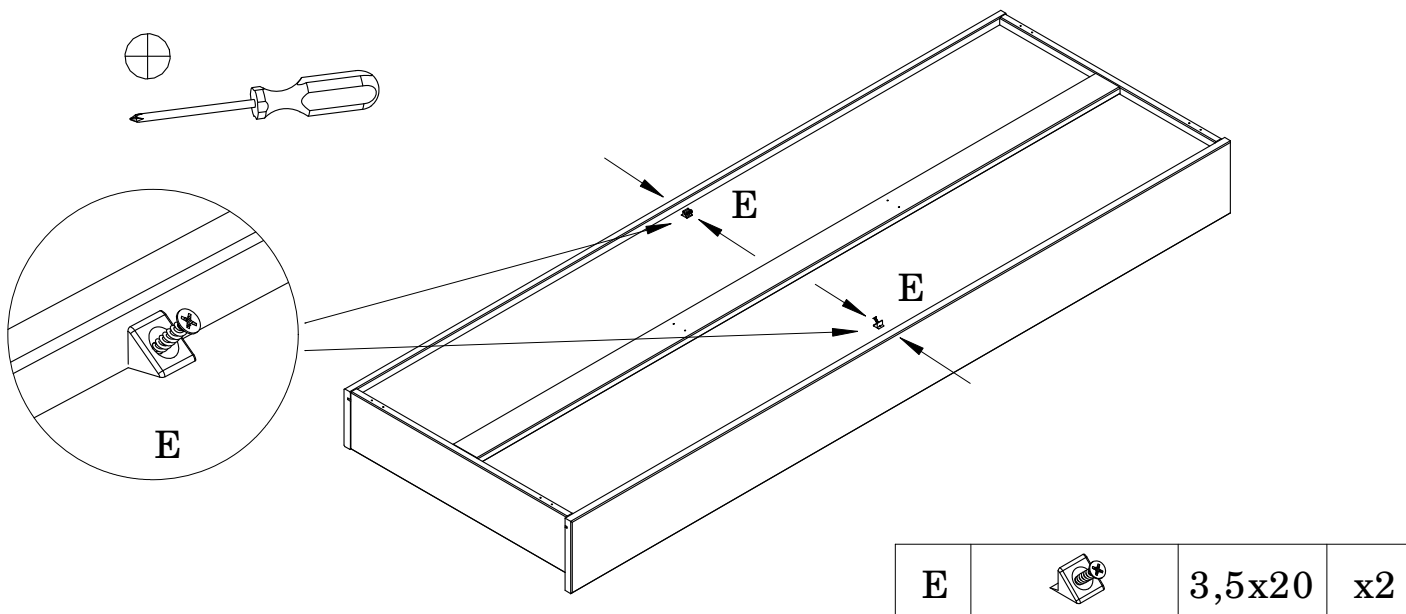
3



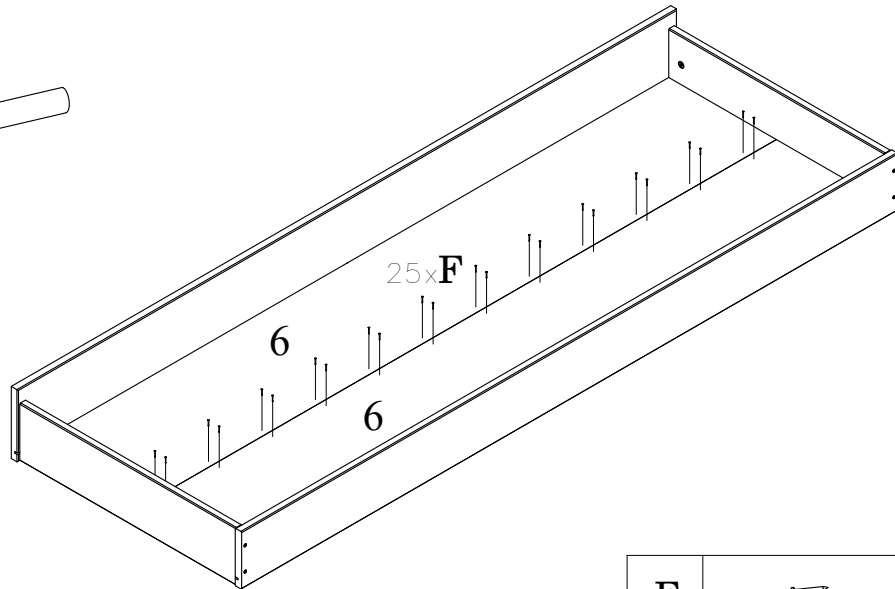
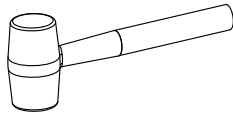
4



5



6

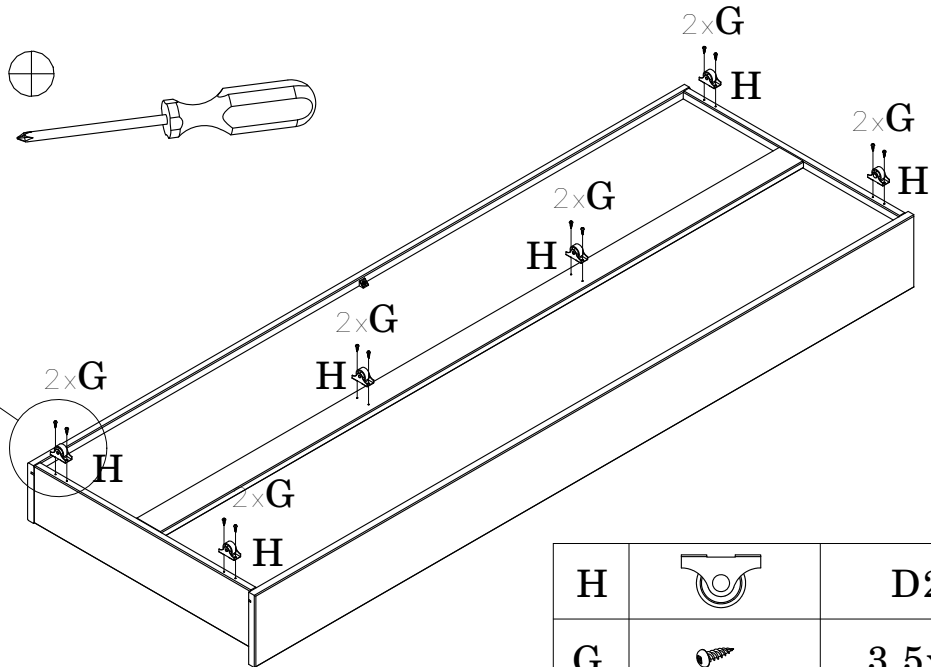
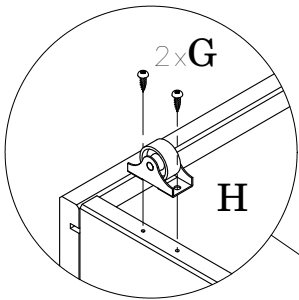
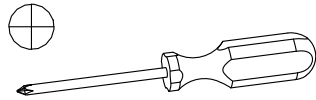


F



1,6x16 x25

7



H



D26

x6

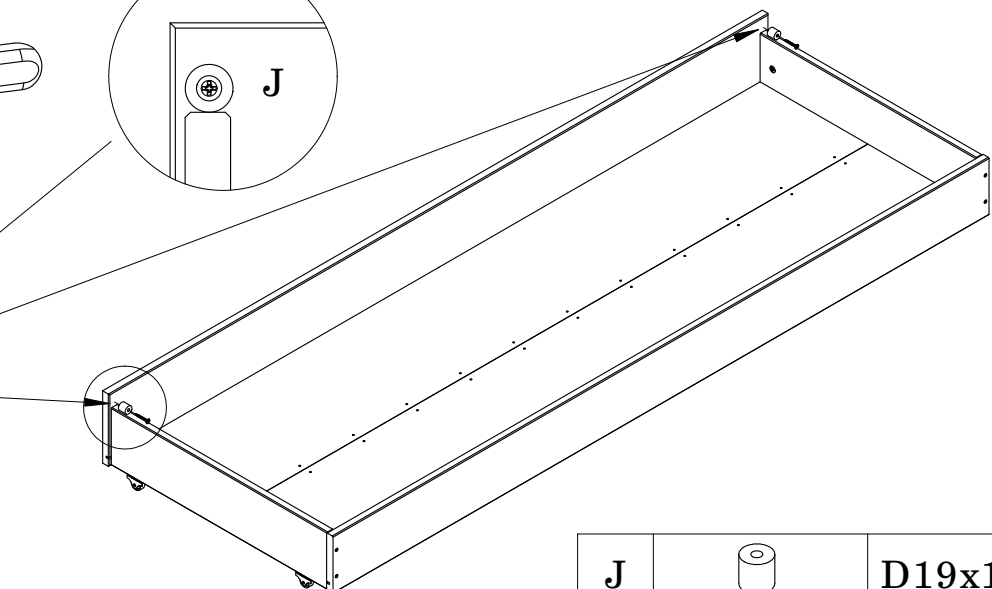
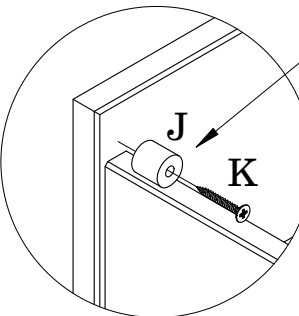
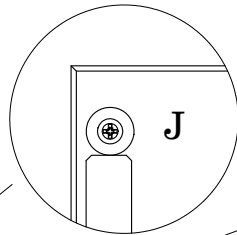
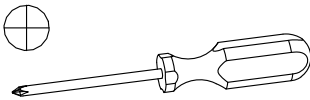
G



3,5x16

x12

8



J



D19x19

x2

K



4x35

x2