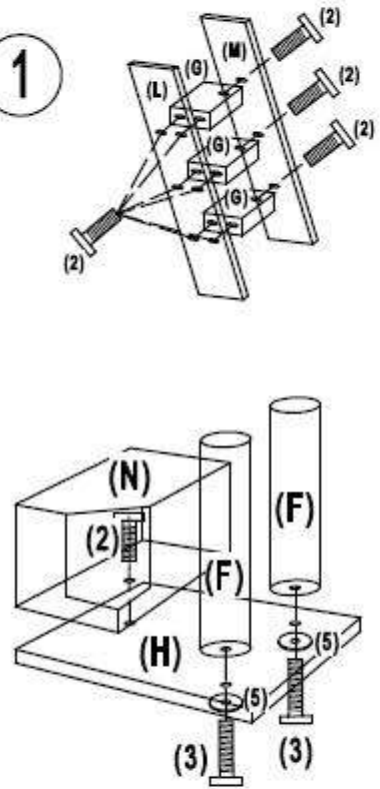




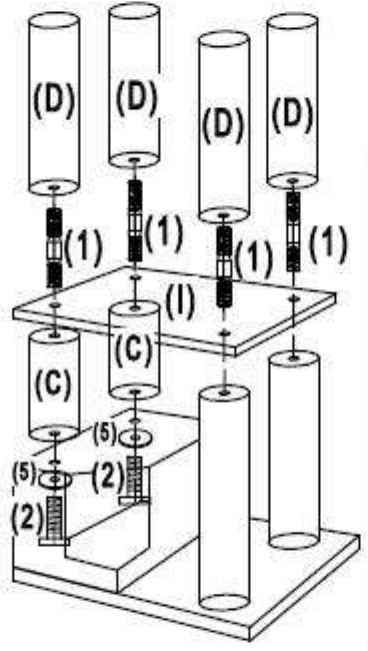
Bouwtekening Krabpaal Corner Coon

RHRQUALITY

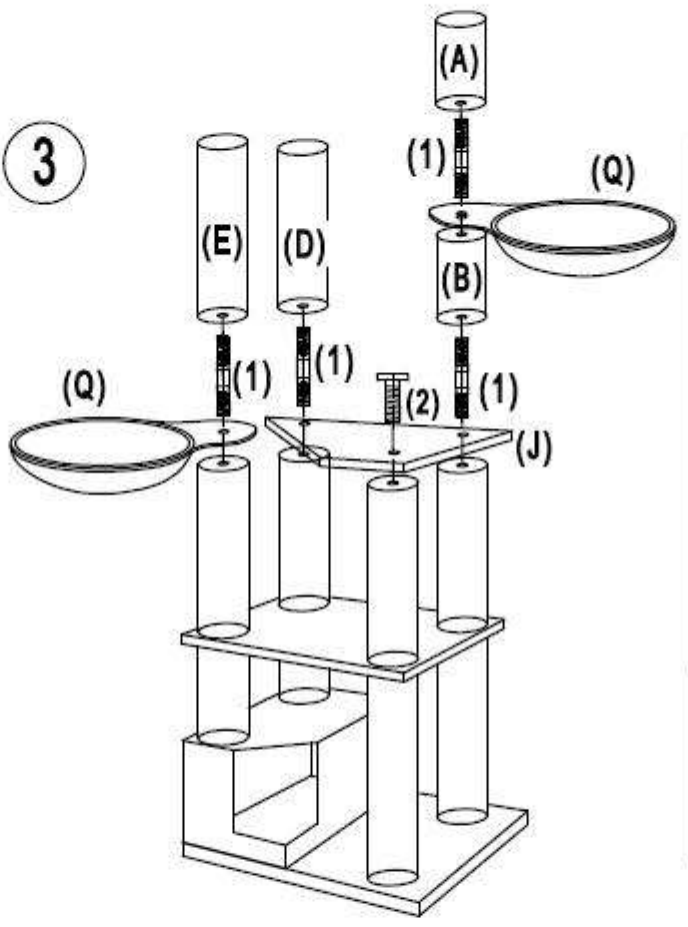
1



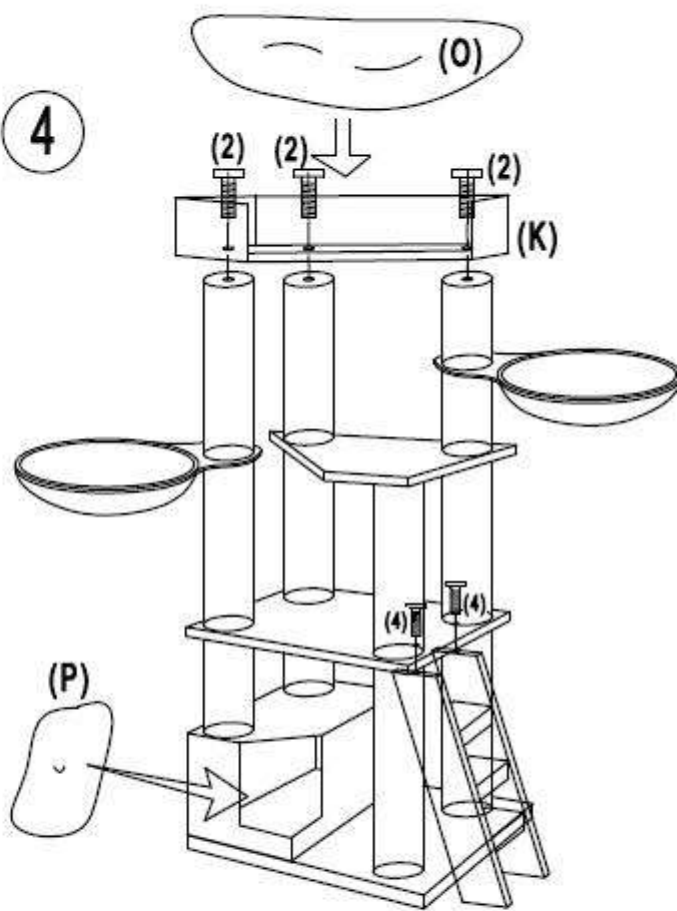
2



3



4



- 1x Ø 12x19.5cm 1/2 (A)
- 1x Ø 12x20cm 1/2 (B)
- 2x Ø 12x24.5cm 2/2 (C)
- 5x Ø 12x40cm 1/2 (D)
- 1x Ø 12x41.5cm 2/2 (E)
- 2x Ø 12x50cm 2/2 (F)
- 3x

- 1x 65x55x4cm 1/2 (H)
- 1x 60x50cm 2/2 (I)
- 1x 60x50cm 2/2 (J)
- 1x 60x50x12cm 2/2 (K)
- 1x 1/2 (L)
- 1x 1/2 (M)

- 1x 55x35x25cm 1/2 (N)
- 1x
- 1x
- 2x Ø 45cm 2/2 (Q)

- 1x 8x60mm 1/2
- (8+1)x Ø 8x80mm (1)
- (16+1)x Ø 8x40mm (2)
- 2x Ø 8x60mm (3)
- 2x Ø 6x35mm (4)
- 4x (5)