

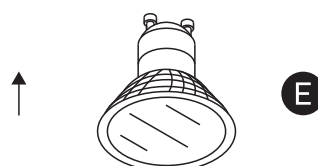
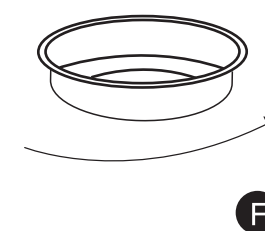
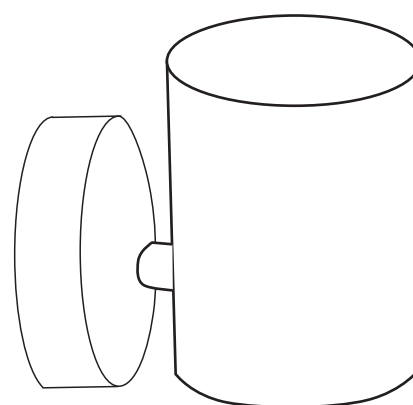
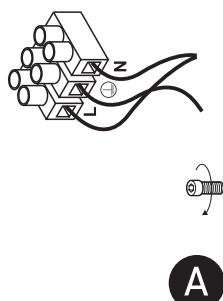
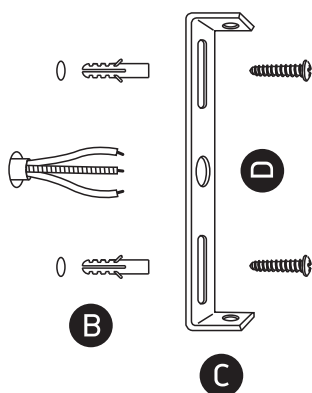
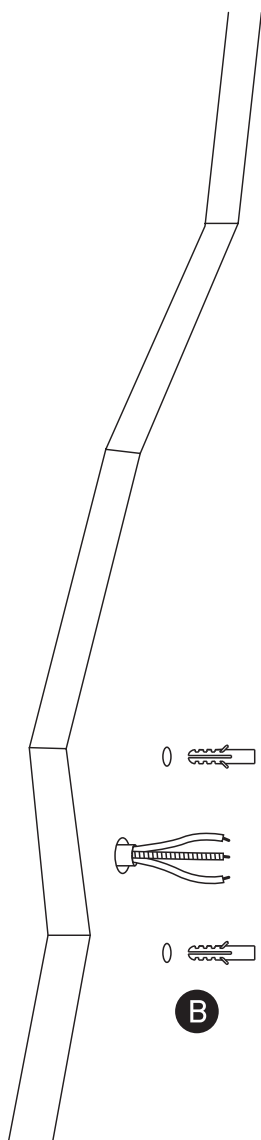
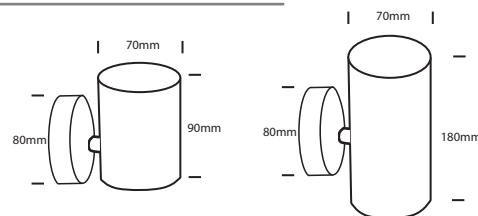
INSTALLATION MANUAL

ELMONT 1 / ELMONT 2

DMQ



100-240V | GU10 | IP20 | Aluminium



Warnings:

1. Disconnect the electricity before installation
2. Make sure that the product is installed properly before connecting to electricity
3. Do not cover the fitting
4. Maintenance and installation should only be carried out by a professional electrician

View this product and manual
online by scanning this QR code

DMQ Elmont 1 - Q13333
DMQ Elmont 2 - Q13332