
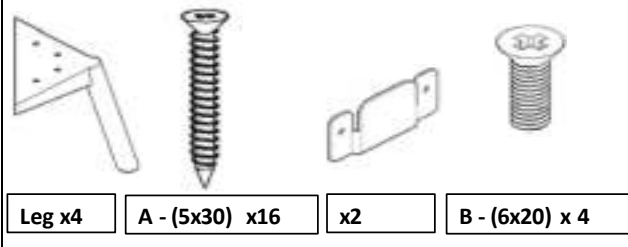
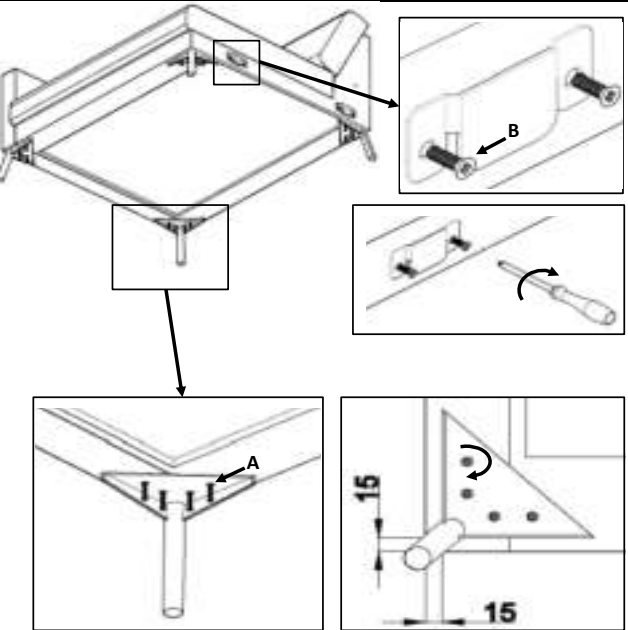


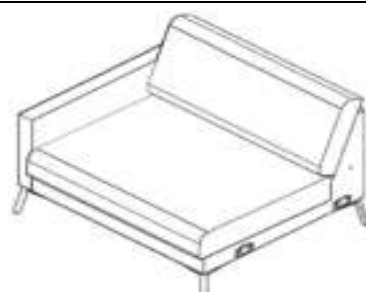
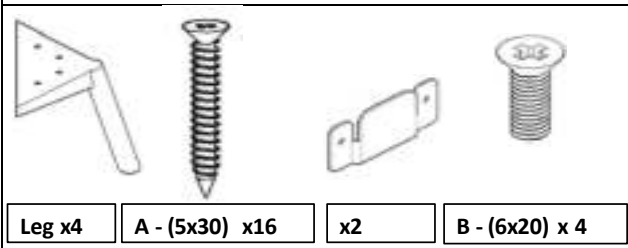
assembly instruction

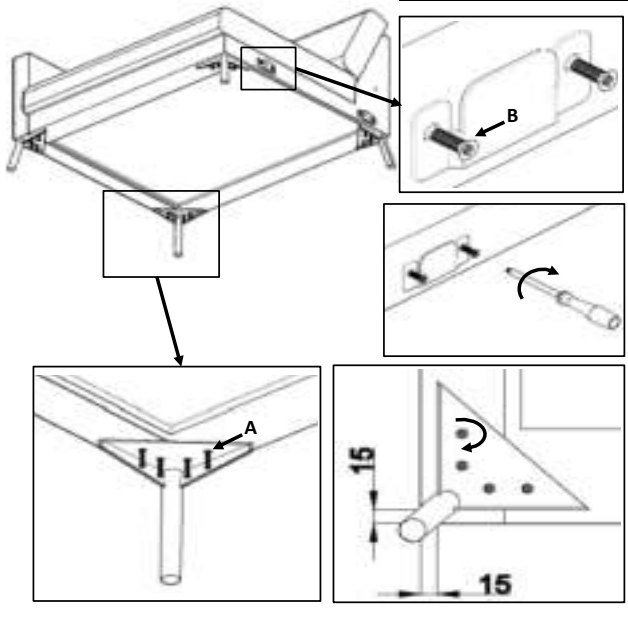
Leg x4 A - (5x30) x16 x2 B - (6x20) x 4



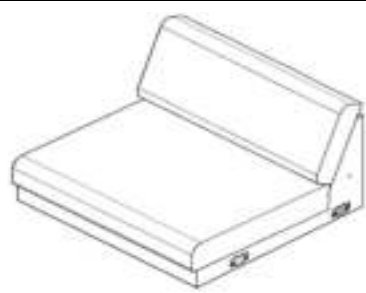
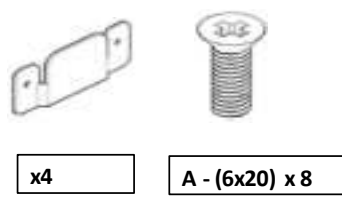
assembly instruction

Leg x4 A - (5x30) x16 x2 B - (6x20) x 4



assembly instruction

x4 A - (6x20) x 8

