



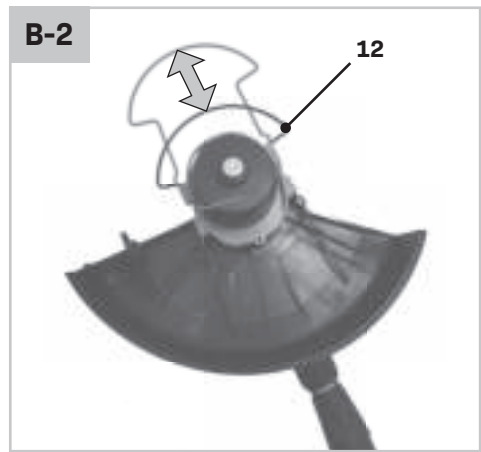
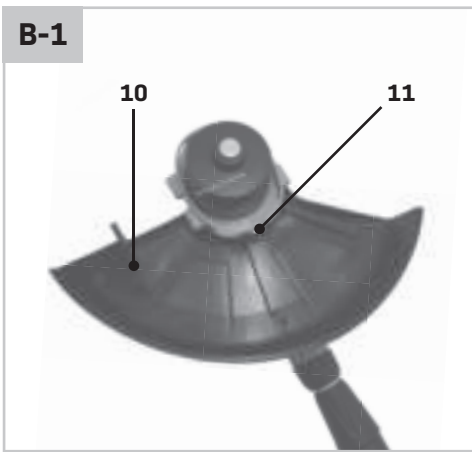
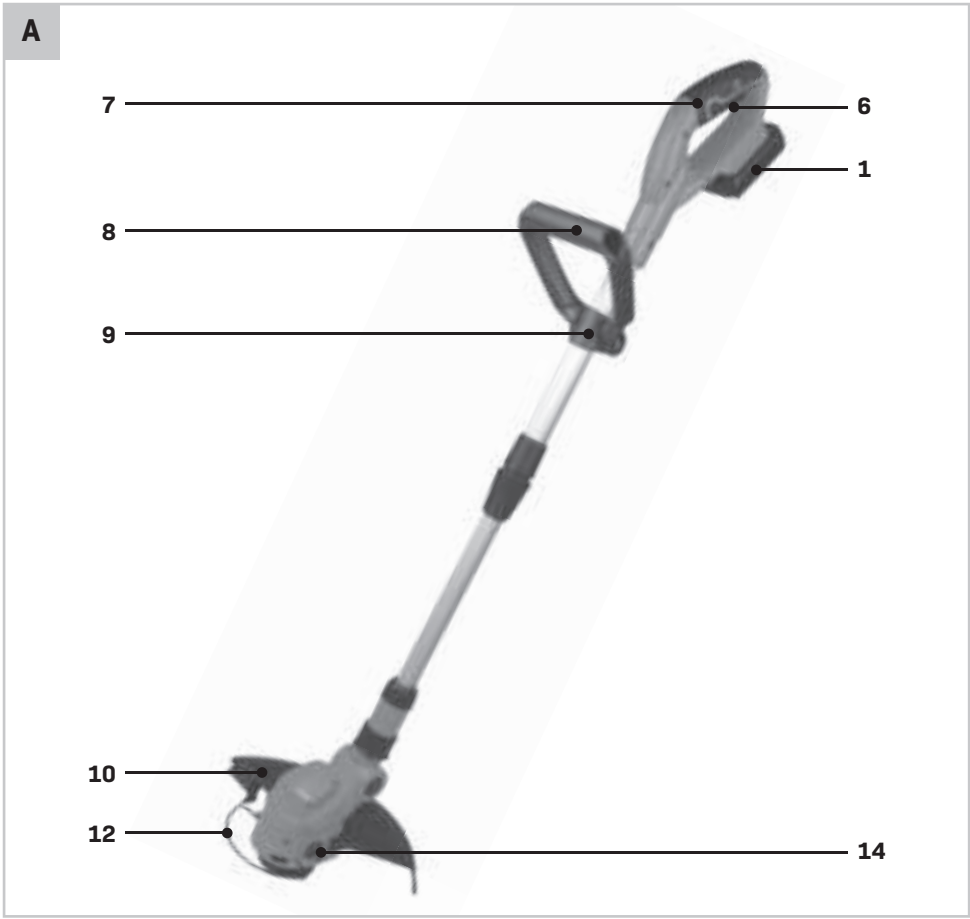
VONROC®

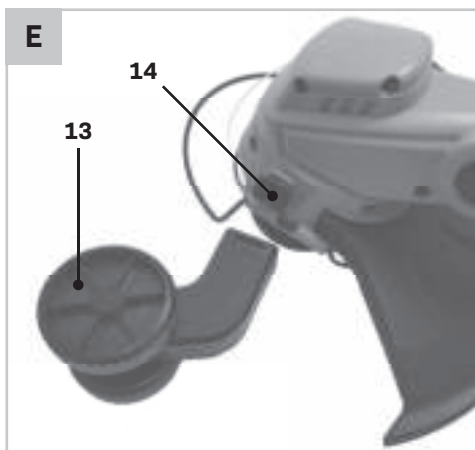
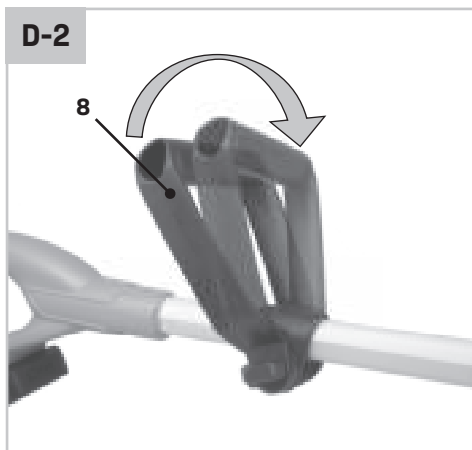
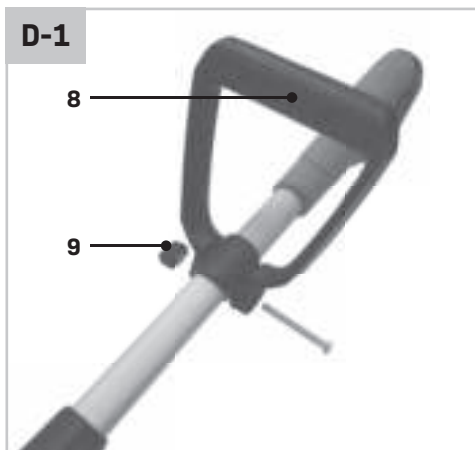
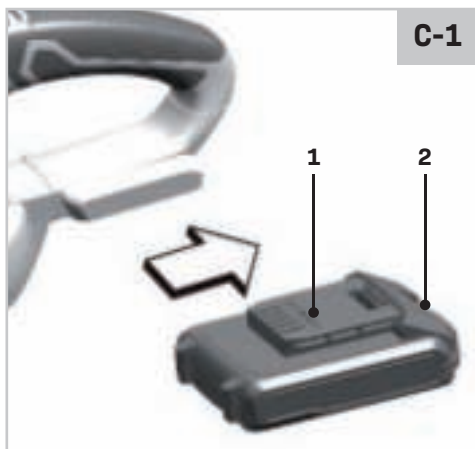
BUILD YOUR FUTURE

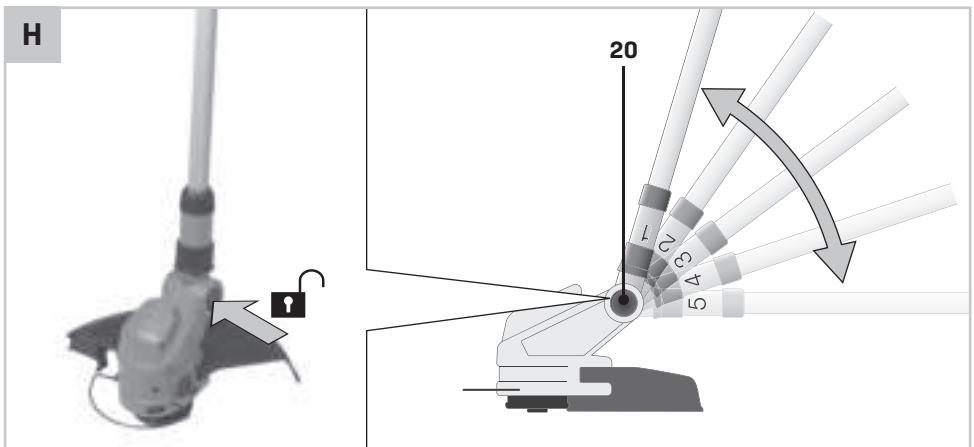
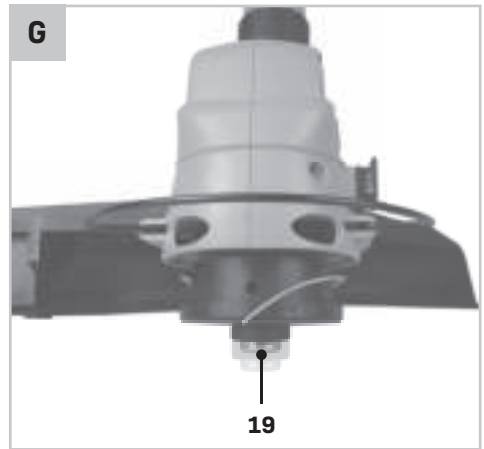
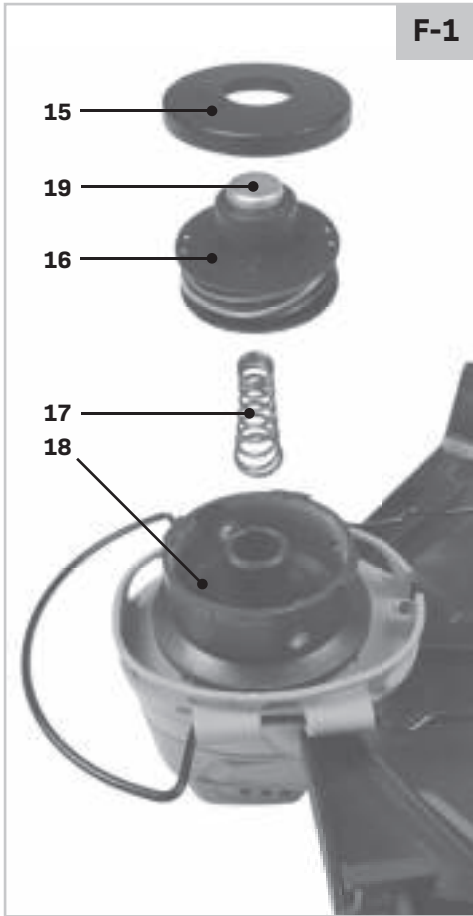
**CORDLESS GRASS TRIMMER
GT501DC / S_GT501DC
S2_GT501DC / S3_GT501DC**

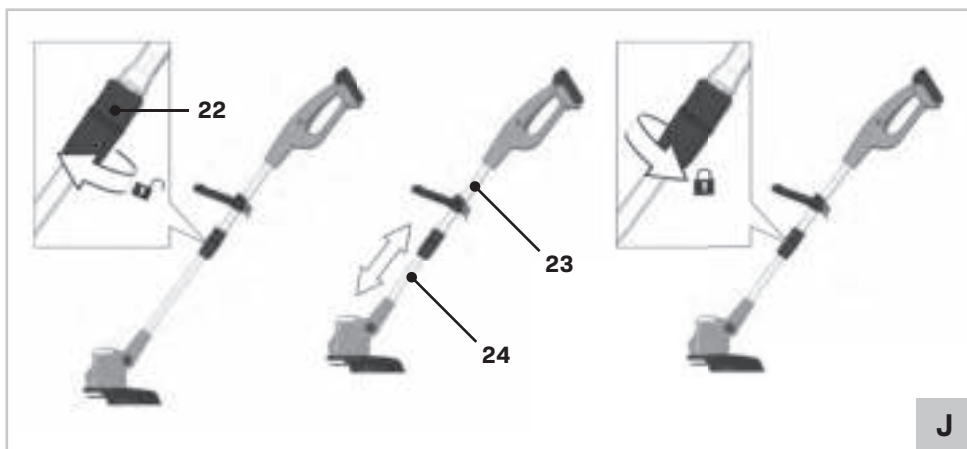
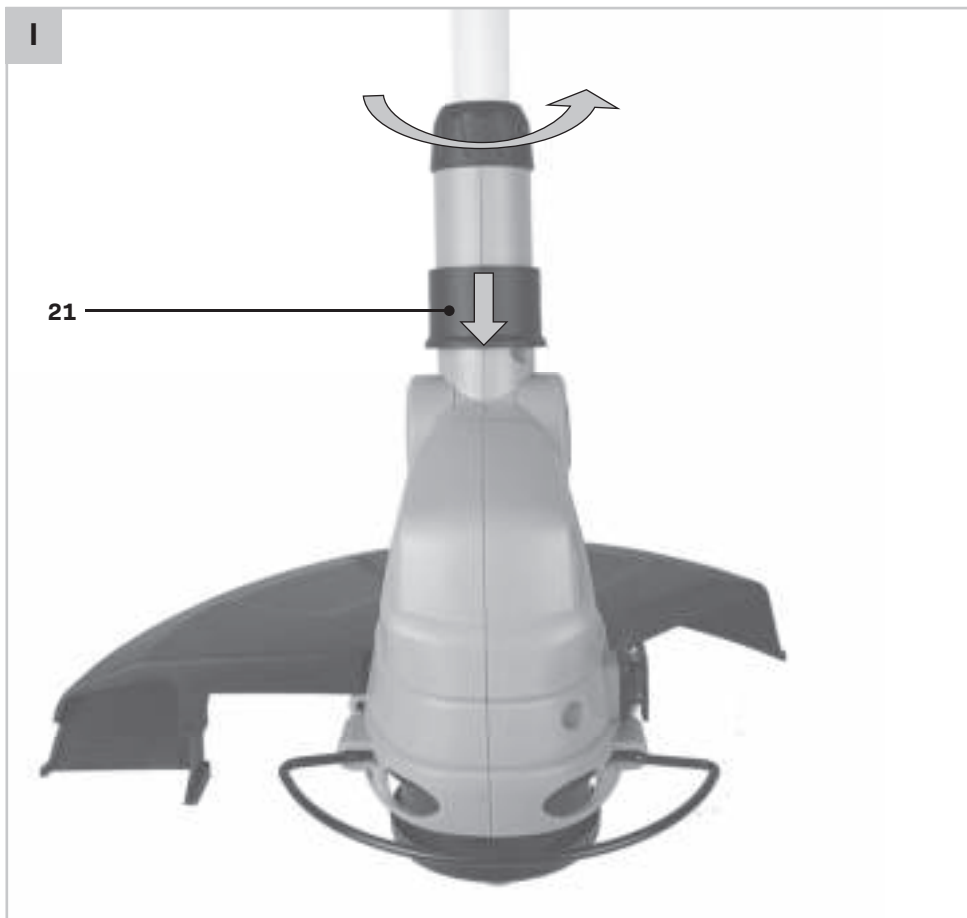


EN	Original Instructions	06
DE	Übersetzung Der Originalbetriebsanleitung	13
NL	Vertaling van de oorspronkelijke gebruiksaanwijzing	22
FR	Traduction de la notice originale	30
ES	Traducción del manual original	38
IT	Traduzione delle istruzioni originali	46
PL	Tłumaczenie instrukcji oryginalnej	54









1. SAFETY INSTRUCTIONS

Read the enclosed safety warnings, the additional safety warnings and the instructions. Failure to follow the safety warnings and the instructions may result in electric shock, fire and/or serious injury. Save the safety warnings and the instructions for future reference.

The following symbols are used in the user manual or on the product:



Read the user manual.



Denotes risk of personal injury, loss of life or damage to the tool in case of non-observance of the instructions in this manual.



Risk of electric shock.



Wear hearing protection.



Wear eye protection.



Wear dust mask.



Wear protection gloves.



Wear protection boots.



Do not expose to rain.



Class II machine - Double insulation - You don't need any earthed plug.



Time-lag miniature fuse-link.



Max temperature 45°C.



Do not throw the battery into fire.



Do not throw the battery into water.



Separate collection for Li-ion battery.



Do not dispose of the product in unsuitable containers.



The product is in accordance with the applicable safety standards in the European directives.



Before cleaning and maintenance, always switch off the machine and remove the battery pack from the machine.



The guaranteed sound power level
LWA = 96 dB(A)

GENERAL POWER TOOL SAFETY WARNINGS



WARNING! Read all safety warnings and all instructions. Failure to follow the warnings and instructions may result in electric shock, fire and/or serious injury.

Save all warnings and instructions for future reference.

The term "power tool" in the warnings refers to your mains-operated (corded) power tool or battery-operated (cordless) power tool.

1) Work area safety

- Keep the work area clean and well lit.** Cluttered or dark areas invite accidents.
- Do not operate power tools in explosive atmospheres, such as in the presence of flammable liquids, gases or dust.** Power tools create sparks which may ignite the dust or fumes.
- Keep children and bystanders away while operating a power tool.** Distractions can cause you to lose control.

2) Electrical safety

- Power tool plugs must match the outlet. Never modify the plug in any way. Do not use any adapter plugs with earthed (grounded) power tools.** Unmodified plugs and matching outlets will reduce risk of electric shock.
- Avoid body contact with earthed or grounded surfaces, such as pipes, radiators, ranges and refrigerators.** There is an increased risk of electric shock if your body is earthed or grounded.
- Do not expose power tools to rain or wet conditions.** Water entering a power tool will increase the risk of electric shock.
- Do not abuse the cord. Never use the cord for carrying, pulling or unplugging the power tool. Keep cord away from heat, oil, sharp edges or moving parts.** Damaged or entangled cords increase the risk of electric shock.
- When operating a power tool outdoors, use an extension cord suitable for outdoor use.** Use of a cord suitable for outdoor use reduces the risk

of electric shock.

- f) **If operating a power tool in a damp location is unavoidable, use a residual current device (RCD) protected supply.** Use of an RCD reduces the risk of electric shock.
- 3) Personal safety**
- a) **Stay alert, watch what you are doing and use common sense when operating a power tool. Do not use a power tool while you are tired or under the influence of drugs, alcohol or medication.** A moment of inattention while operating power tools may result in serious personal injury.
- b) **Use personal protective equipment. Always wear eye protection.** Protective equipment such as dust mask, non-skid safety shoes, hard hat, or hearing protection used for appropriate conditions will reduce personal injuries.
- c) **Prevent unintentional starting. Ensure the switch is in the off-position before connecting to power source and/or battery pack, picking up or carrying the tool.** Carrying power tools with your finger on the switch or energising power tools that have the switch on invites accidents.
- d) **Remove any adjusting key or wrench before turning the power tool on.** A wrench or a key left attached to a rotating part of the power tool may result in personal injury.
- e) **Do not overreach. Keep proper footing and balance at all times.** This enables better control of the power tool in unexpected situations.
- f) **Dress properly. Do not wear loose clothing or jewellery. Keep your hair, clothing and gloves away from moving parts.** Loose clothes, jewellery or long hair can be caught in moving parts.
- g) **If devices are provided for the connection of dust extraction and collection facilities, ensure these are connected and properly used.** Use of dust collection can reduce dust related hazards.
- h) **Do not let familiarity gained from frequent use of tools allow you to become complacent and ignore tool safety principles.** A careless action can cause severe injury within a fraction of a second.
- 4) Power tool use and care**
- a) **Do not force the power tool. Use the correct power tool for your application.** The correct power tool will do the job better and safer at the rate for which it was designed.
- b) **Do not use the power tool if the switch does not turn it on and off.** Any power tool that cannot be controlled with the switch is dangerous and must be repaired.
- c) **Disconnect the plug from the power source and/or the battery pack from the power tool before making any adjustments, changing accessories, or storing power tools.** Such preventive safety measures reduce the risk of starting the power tool accidentally.
- d) **Store idle power tools out of the reach of children and do not allow persons unfamiliar with the power tool or these instructions to operate the power tool.** Power tools are dangerous in the hands of untrained users.
- e) **Maintain power tools. Check for misalignment or binding of moving parts, breakage of parts and any other condition that may affect the power tool's operation. If damaged, have the power tool repaired before use.** Many accidents are caused by poorly maintained power tools.
- f) **Keep cutting tools sharp and clean.** Properly maintained cutting tools with sharp cutting edges are less likely to bind and are easier to control.
- g) **Use the power tool, accessories and tool bits etc. in accordance with these instructions, taking into account the working conditions and the work to be performed.** Use of the power tool for operations different from those intended could result in a hazardous situation.
- h) **Keep handles and grasping surfaces dry, clean and free from oil and grease.** Slippery handles and grasping surfaces do not allow for safe handling and control of the tool in unexpected situations.
- 5) Battery tool use and care**
- a) **Recharge only with the charger specified by the manufacturer.** A charger that is suitable for one type of battery pack may create a risk of fire when used with another battery pack.
- b) **Use power tools only with specifically designed battery packs.** Use of any other battery packs may create a risk of injury and fire.
- c) **When battery pack is not in use, keep it away from other metal objects, like paper clips, coins, keys, nails, screws or other small metal objects that can make a connection from one terminal to another.** Shorting the battery terminals together may cause burns or a fire.
- d) **Under abusive conditions, liquid may be ejected from the battery; avoid contact. If contact accidentally occurs, flush with water. If liquid**

contacts eyes, additionally seek medical help.

Liquid ejected from the battery may cause irritation or burns.

- e) **Do not use a battery pack or tool that is damaged or modified.** Damaged or modified batteries may exhibit unpredictable behaviour resulting in fire, explosion or risk of injury.
- f) **Do not expose a battery pack or tool to fire or excessive temperature.** Exposure to fire or temperature above 130 °C may cause explosion. NOTE The temperature „130 °C“ can be replaced by the temperature „265 °F“.
- g) **Follow all charging instructions and do not charge the battery pack or tool outside the temperature range specified in the instructions.** Charging improperly or at temperatures outside the specified range may damage the battery and increase the risk of fire.

6) Service

- a) **Have your power tool serviced by a qualified repair person using only identical replacement parts.** This will ensure that the safety of the power tool is maintained.
- b) **Never service damaged battery packs.** Service of battery packs should only be performed by the manufacturer or authorized service providers.

ADDITIONAL SAFETY INSTRUCTION CORDLESS GRASS TRIMMER

- Never allow children or people unfamiliar with these instructions to use the trimmer. Local regulations may restrict the age of the operator. When not in use, store the trimmer out of reach of children.
- Never operate the trimmer with missing or broken guards or shields or without guards or shields in position.
- Before using the machine and after impact, check for signs of wear or damage and repair if necessary.
- Never operate the product when you are tired, ill or under the influence of alcohol, drugs or medicine.
- Always wear long heavy trousers, boots and gloves. Do not wear loose clothing, jewellery, short trousers, sandals and never work barefoot.
- Wear safety eye protection and ear defenders when operating the machine.
- Keep firm footing and balance. Do not overreach.
- Never work with this trimmer while people,

especially children or pets are nearby.

- Wait until the spool line has completely stopped before touching it. The spool line continues to rotate after the trimmer is switched off; a rotating wire can cause injury.
- Work only in daylight or in good artificial light
- Avoid operating the trimmer in bad weather conditions especially when there is a risk of lightning.
- Operating the trimmer in wet grass decreases the efficiency of performance.
- Switch off when transporting the trimmer to and from the area to be worked on.
- Switch on the motor only when the hands and feet are away from the cutting means.
- Do not put hands or feet near the cutting system.
- Remove battery before spool change.
- Never fit metal cutting elements to this trimmer.
- Inspect and maintain the trimmer regularly.
- Have the trimmer repaired only by an authorized customer service agent.
- Always ensure that the ventilation slots are kept clear of debris.
- Remove the battery:
 - *whenever you leave the machine unattended for any period of time*
 - *before replacing the wire*
 - *before cleaning or working on the trimmer*
- Store the machine in a secure, dry place out of the reach of children. Do not place other objects on top of the machine.
- Do not operate the machine without the wire attachment fitted.

SAFETY WARNINGS FOR BATTERY

- a) **Do not open the battery.** Danger of shortcircuiting.
- b) **Protect the battery against heat, e. g., against continuous intense sunlight, fire, water, and moisture.** Danger of explosion.
- c) **In case of damage and improper use of the battery, vapours may be emitted. Ventilate the area and seek medical help in case of complaints.** The vapours can irritate the respiratory system.
- d) **Use the battery only in conjunction with your Vonroc product.** This measure alone protects the battery against dangerous overload.
- e) **The battery can be damaged by pointed objects such as nails or screwdrivers or by force applied externally.** An internal short circuit can occur and the battery can burn, smoke, explode or overheat.

SAFETY WARNINGS FOR CHARGER

Intended use

Charge only CD801AA and CD803AA type rechargeable Battery packs with the charger. Other types of batteries may burst causing personal injury and damage.

- a) **The appliance is not to be used by persons (including children) with reduced physical, sensory or mental capabilities, or lack of experience and knowledge, unless they have been given supervision or instruction.**
- b) **Children being supervised not to play with the appliance.**
- c) **Do not recharging non-rechargeable batteries!**
- d) **During charging, batteries must be placed in the well ventilated area!**

2. MACHINE INFORMATION

Intended use

The grass trimmer is developed for cutting of grass and weeds, under bushes as well as on slopes. The grass trimmer is ideal for cutting edges that cannot be reached with the lawn mower.

Intended use is related to operation within 0°C and 45°C ambient temperature. Do not use this machine in the rain.

TECHNICAL SPECIFICATIONS



This manual has been drawn up for different sets / article numbers. Check the corresponding article number in below specifications table for the correct composition and contents of your set.

Model No.	Batteries included	Chargers included
GT501DC	-	-
S_GT501DC	CD801AA	CD802AA
S2_GT501DC	2 x CD801AA	CD802AA
S3_GT501DC	CD803AA	CD802AA

Machine information	
Voltage	20V
Telescopic pole	420-700 mm
Pole angle adjustment	0° - 90°
Head adjustable	0° - 90°
No load speed	8.000/min
Cutting diameter	250 mm
Cutting system	2 line wire spool, Tap and go Ø1.2mm x 8m
Weight (excl battery)	2.1 kg
Sound pressure level LPA	71.2 dB(A) K=3 dB(A)
Sound power level LWA	88.2 dB(A) K=3 dB(A)
Vibration value	6.918 m/s ² K=1.5 m/s ²

Model No.	CD801AA
Battery Type	Lithium-Ion
Voltage	20V
Capacity	2.0 Ah
Recommended charger	CD802AA
Weight	0.3 kg

Model No.	CD802AA
Charger input	220-240V, 50Hz 0.4A
Charger output	21V 2.5A
Charging time 2Ah battery	60 minutes
Charging time 4Ah battery	120 minutes
Recommended batteries	CD801AA, CD803AA
Weight	0.36 kg

Model No.	CD803AA
Battery Type	Lithium-Ion
Voltage	20V
Capacity	4.0 Ah
Recommended charger	CD802AA
Weight	0.65 kg

*Guaranteed value according to the noise directive:
LwA 96db(A)*

Only use the following batteries of the VONROC VPOWER 20V battery platform. Using any other batteries could cause serious injury or damage the tool.

CD801AA 20V, 2Ah Lithium-Ion
CD803AA 20V, 4Ah Lithium-Ion

The following charger of the can be used to charge these batteries.

CD802AA Quick charger

The batteries of the VONROC VPOWER 20V battery platform are interchangeable with all the VONROC VPOWER 20V battery platform tools.

Vibration level

The vibration emission level stated in this instruction manual has been measured in accordance with a standardized test given in EN 50636-2-91; it may be used to compare one tool with another and as a preliminary assessment of exposure to vibration when using the tool for the applications mentioned.

- Using the tool for different applications, or with different or poorly maintained accessories, may significantly increase the exposure level.
- The times when the tool is switched off or when it is running but not actually doing the job, may significantly reduce the exposure level.

Protect yourself against the effects of vibration by maintaining the tool and its accessories, keeping your hands warm, and organizing your work patterns.

DESCRIPTION

The numbers in the text refer to the diagrams on pages 2-5.

1. Battery
2. Battery unlock button
3. Battery charge indication
4. Charger
5. Charger LED indicators
6. On/off switch
7. Safety switch
8. Front handle
9. Front handle knob
10. Protection guard
11. Screw
12. Guardrail
13. Side wheel
14. Side wheel holder
15. Spool cover
16. Spool reel

17. Spool spring
18. Spool housing
19. Tip spool reel
20. Adjustment knob trimmer head
21. Adjustment ring trimmer head
22. Lower adjustment ring
23. Upper shaft
24. Lower shaft
25. Battery LED indicators button

3. ASSEMBLY



Before any work on the power tool, remove the battery.



Warning! Do not use the grass trimmer without the protection guard.



The machine must be charged before first use.

Inserting the battery into the machine (Fig. C1)



Ensure that the exterior of the battery is clean and dry before connecting to the charger or machine.

1. Insert the battery (1) into the base of the machine as shown in Fig. C1.
2. Push the battery further forward until it clicks into place.

Removing the battery from the machine (Fig. C1)

1. Push the battery unlock button (2).
2. Pull the battery out of the machine like shown in Fig. C1.

Checking the battery charging status (Fig. C2)

- To check the battery charge status, push the button (25) on battery shortly.
- The battery has 3 lights indicating the charge level, the more lights that burn, the more charge the battery has left.
- When the lights are not burning it means the battery is empty and must be charged immediately.

Charging the battery with the charger (Fig. C2)

1. Take the battery (1) from the machine.
2. Turn the battery (1) to upside down position and slide it onto the charger (4) as shown in Fig. C2.
3. Push the battery until it is fully pushed into the slot.

4. Plug the charger plug into an electrical outlet and wait for a while. The LED indicators on the charger (5) will lighten up and show the charger status.

The charger has 2 LED indicators (5) which indicate the status of the charging process:

Red LED Status	Green LED status	Charger status
Off	Off	No power
Off	On	Standby mode: - No battery is inserted or, - Battery inserted but charging has finished
On	Off	Battery charging in progress

- Fully charging the 2Ah battery may take up to 60 minutes.
- Fully charging the 4Ah battery may take up to 120 minutes.

After the battery is fully charged remove the charger plug from the outlet and remove the battery from the charger.



When the machine is not being used over a longer period of time it is best to store the battery in charged condition.

Mounting the Protection guard (Fig. B1)

- Fit the protection guard (10) onto the trimmer head housing.
- Secure the guard using the screw (11) delivered.

Mounting the guardrail (Fig. B2)

- Squeeze the ends of the guardrail (12) together and slide into the holes of the trimmer head housing
- The guardrail can be set in different protection distances. To adjust the rail, simply press or pull the rail.

Mounting the front handle (Fig. D1)

- Place the handle (8) on the holder mounted on the upper shaft.
- Fit the bolt in the hexagon hole and mount the knob (9) onto the bolt.

Adjusting the front handle (Fig. D2)

- Unscrew the knob (9) slightly and press or pull the front handle (8) in to desirable position. This can either be down or upwards and rotatable around upper shaft.



When using the machine sideways always use the sidewheel.

Mounting of the side wheel (Fig. E)

- Slide side wheel (13) over the side wheel holder (14).

Mounting the wire spool (Fig. F1)



Before replacing the spool clean the machine from any dirt.

- Place the spring (17) into the spool housing (18). Make sure the wider side of the spring is placed on the trimmer head.
- Place the spool reel (16) over the spring (17). Make sure the wires are passed through the holes inside the housing (18). (Fig. F2)
- Cover the spool reel with the spool cover (15) and fasten it by turning the cover tightly.

Replacing the spool (Fig. F1)

- Remove the spool cover (15).
- Take out the spool reel (16) but leave the spring (17) inside.
- Take the new spool reel (GT801AA) and place it over the spring (17). Make sure the wires are passed through the holes inside the housing (18). (Fig. F2)
- Cover the new spool reel with the spool cover (15) and fasten it by turning the cover tightly.

4. OPERATION

Using the tap and go system (Fig. G)

- When the wire is too short, switch the machine on and press the tip of the spool reel (19) on the ground (make sure this is done on a hard surface).
- This will release the wire in order to get longer.
- The wire will be cut on the correct length automatically by the blade mounted in the protection guard (10).

Tilting the trimmer head (Fig. H)

Please keep power switched off and disconnect the battery.

- Press the knob (20) of the trimmer head to tilt the head in the desired position.
- When knob is released, the head will click and lock in the chosen position.

Turning the trimmer head (Fig. I)

- Press the ring (21) down towards the trimmer head to turn the head in the desired position.
- When the ring is released, the head will click and lock in the chosen position.

Adjusting the pole height (Fig. J)

- To adjust the height of the machine, loosen the lower adjustment ring (22).
- Carefully push the lower shaft (24) from the upper shaft (23) down or upwards.
- Fasten the lower adjustment ring (22) to secure the height of the machine.

Using your grass trimmer

Before use, always visually inspect the machine and its parts are correctly mounted, not worn out or damaged.

- For your own safety and for best results read the following user advice and do not use this product for anything other than its intended purpose.
- This grass trimmer is made for cutting grass. All other use that is not specifically allowed in this manual may lead to damage to the grass trimmer or injury to the user.

Safety features

- The protection guard has a knife for cutting the wire to the correct length. Do not touch the knife to reduce the chance of injury to the user.
- The on/off switch (6) and safety switch (7) must be operated together to start the motor. If pressure on one of two switches is released, the tool is designed to stop rapidly.

Switching On and Off

- To switch the trimmer on, press the safety switch (7) and the start on/off switch (6) at the same time.
- To switch off, release one or both switches.

5. MAINTENANCE

Before cleaning and maintenance, always switch off the machine and remove the battery pack from the machine.

Clean the machine casings regularly with a soft cloth, preferably after each use. Make sure that the ventilation openings are free of dust and dirt. Remove very persistent dirt using a soft cloth moistened with soapsuds. Do not use any solvents such as gasoline, alcohol, ammonia, etc. Chemicals such as these will damage the synthetic components.

ENVIRONMENT

Faulty and/or discarded electrical or electronic apparatus have to be collected at the appropriate recycling locations.

Only for EC countries

Do not dispose of power tools into domestic waste. According to the European Guideline 2012/19/EC for Waste Electrical and Electronic Equipment and its implementation into national right, power tools that are no longer usable must be collected separately and disposed of in an environmentally friendly way.

WARRANTY

VONROC products are developed to the highest quality standards and are guaranteed free of defects in both materials and workmanship for the period lawfully stipulated starting from the date of original purchase. Should the product develop any failure during this period due to defective material and/or workmanship then contact VONROC directly.

The following circumstances are excluded from this guarantee:

- Repairs and or alterations have been made or attempted to the machine by unauthorized service centers;
- Normal wear and tear;
- The tool has been abused, misused or improperly maintained;
- Non-original spare parts have been used.

This constitutes the sole warranty made by company either expressed or implied. There are no other warranties expressed or implied which extend

beyond the face hereof, herein, including the implied warranties of merchantability and fitness for a particular purpose. In no event shall VONROC be liable for any incidental or consequential damages. The dealers remedies shall be limited to repair or replacement of nonconforming units or parts.

The product and the user manual are subject to change. Specifications can be changed without further notice.

1. SICHERHEITSANWEISUNGEN

Lesen Sie die beiliegenden Sicherheitsanweisungen, die zusätzlichen Sicherheitsanweisungen sowie diese Bedienungsanleitung sorgfältig durch. Bei Nichtbeachten der Sicherheitsanweisungen und der Bedienungsanleitung kann es zu einem Stromschlag, einem Brand und/oder schweren Verletzungen kommen. Bewahren Sie die Sicherheitsanweisungen und die Bedienungsanleitung zur künftigen Bezugnahme sicher auf.

Folgende Symbole werden im Benutzerhandbuch oder auf dem Produkt verwendet:



Lesen Sie das Benutzerhandbuch.



Bedeutet, dass bei Nichtbeachtung der Anweisungen in dieser Anleitung Verletzungen, Tod oder Beschädigung des Werkzeugs die Folge sein können.



Stromschlagrisiko.



Gehörschutz tragen.



Schutzbrille tragen!



Staubmaske tragen.



Schutzhandschuhe tragen.



Schutzgamaschen tragen.



Nicht Regen aussetzen.



Werkzeug/Gerät der Schutzklasse II - schutzisoliert - kein Schutzkontaktanschluss erforderlich.



Sicherungseinsatz für träge Sicherungen.



Höchsttemperatur 45°C.



Batterien/Akkus nicht in offene Feuer werfen.



Batterien/Akkus nicht ins Wasser werfen.



Der Li-Ionen-Akku muss separat der Wertstoffsammlung zugeführt werden.



Das Produkt nicht in ungeeigneten Behältern entsorgen.



Das Produkt entspricht den geltenden Sicherheitsstandards in den europäischen Richtlinien.



Vor dem Beginn von Reinigungs- und Wartungsarbeiten immer erst die Maschine ausschalten und den Akku entfernen.



Garantierter Schallleistungspegel
LWA = 96 dB(A)

ALLGEMEINE SICHERHEITSHINWEISE



WARNUNG Lesen Sie alle Sicherheitshinweise, Anweisungen, Bilderungen und technischen Daten, mit denen dieses Elektrowerkzeug versehen ist. Versäumnisse bei der Einhaltung der nachfolgenden Anweisungen können elektrischen Schlag, Brand und/oder schwere Verletzungen verursachen.

Bewahren Sie alle Sicherheitshinweise und Anweisungen für die Zukunft auf.

Der in den Sicherheitshinweisen verwendete Begriff „Elektrowerkzeug“ bezieht sich auf netzbetriebene Elektrowerkzeuge (mit Netzleitung) oder auf akkubetriebene Elektrowerkzeuge (ohne Netzleitung).

1) Arbeitsplatzsicherheit

- a) Halten Sie Ihren Arbeitsbereich sauber und gut beleuchtet. Unordnung oder unbeleuchtete Arbeitsbereiche können zu Unfällen führen.
- b) Arbeiten Sie mit dem Elektrowerkzeug nicht in explosionsgefährdeter Umgebung, in der sich brennbare Flüssigkeiten, Gase oder Stäube befinden. Elektrowerkzeuge erzeugen Funken, die den Staub oder die Dämpfe entzünden können.
- c) Halten Sie Kinder und andere Personen während der Benutzung des Elektrowerkzeugs fern. Bei Ablenkung können Sie die Kontrolle über das Elektrowerkzeug verlieren.

2) Elektrische Sicherheit

- a) Der Anschlussstecker des Elektrowerkzeugs muss in die Steckdose passen. Der Stecker darf in keiner Weise verändert werden. Verwenden Sie keine Adapterstecker gemeinsam mit schutzgeerdeten Elektrowerkzeugen. Unverän-

derte Stecker und passende Steckdosen verringern das Risiko eines elektrischen Schlages.

- b) Vermeiden Sie Körperkontakt mit geerdeten Oberflächen wie von Rohren, Heizungen, Herden und Kühlschränken. Es besteht ein erhöhtes Risiko durch elektrischen Schlag, wenn Ihr Körper geerdet ist.
 - c) Halten Sie Elektrowerkzeuge von Regen oder Nässe fern. Das Eindringen von Wasser in ein Elektrowerkzeug erhöht das Risiko eines elektrischen Schlages.
 - d) Zweckentfremden Sie die Anschlussleitung nicht, um das Elektrowerkzeug zu tragen, aufzuhängen oder um den Stecker aus der Steckdose zu ziehen. Halten Sie die Anschlussleitung fern von Hitze, Öl, scharfen Kanten oder sich bewegenden Teilen. Beschädigte oder verwickelte Anschlussleitungen erhöhen das Risiko eines elektrischen Schlages.
 - e) Wenn Sie mit einem Elektrowerkzeug im Freien arbeiten, verwenden Sie nur Verlängerungsleitungen, die auch für den Außenbereich geeignet sind. Die Anwendung einer für den Außenbereich geeigneten Verlängerungsleitung verringert das Risiko eines elektrischen Schlages.
 - f) Wenn der Betrieb des Elektrowerkzeugs in feuchter Umgebung nicht vermeidbar ist, verwenden Sie einen Fehlerstromschutzschalter. Der Einsatz eines Fehlerstromschutzschalters vermindert das Risiko eines elektrischen Schlages.
- #### 3) Sicherheit von Personen
- a) Seien Sie aufmerksam, achten Sie darauf, was Sie tun, und gehen Sie mit Vernunft an die Arbeit mit einem Elektrowerkzeug. Benutzen Sie kein Elektrowerkzeug, wenn Sie müde sind oder unter dem Einfluss von Drogen, Alkohol oder Medikamenten stehen. Ein Moment der Unachtsamkeit beim Gebrauch des Elektrowerkzeugs kann zu ernsthaften Verletzungen führen.
 - b) Tragen Sie persönliche Schutzausrüstung und immer eine Schutzbrille. Das Tragen persönlicher Schutzausrüstung, wie Staubmaske, rutschfeste Sicherheitsschuhe, Schutzhelm oder Gehörschutz, je nach Art und Einsatz des Elektrowerkzeugs, verringert das Risiko von Verletzungen.
 - c) Vermeiden Sie eine unbeabsichtigte Inbetriebnahme. Vergewissern Sie sich, dass das Elektrowerkzeug ausgeschaltet ist, bevor Sie es an die Stromversorgung und/oder den Akku anschließen, es aufnehmen oder tragen. Wenn

- Sie beim Tragen des Elektrowerkzeugs den Finger am Schalter haben oder das Elektrowerkzeug eingeschaltet an die Stromversorgung anschließen, kann dies zu Unfällen führen.
- d) Entfernen Sie Einstellwerkzeuge oder Schraubenschlüssel, bevor Sie das Elektrowerkzeug einschalten.** Ein Werkzeug oder Schlüssel, der sich in einem drehenden Teil des Elektrowerkzeugs befindet, kann zu Verletzungen führen.
- e) Vermeiden Sie eine abnormale Körperhaltung. Sorgen Sie für einen sicheren Stand und halten Sie jederzeit das Gleichgewicht.** Dadurch können Sie das Elektrowerkzeug in unerwarteten Situationen besser kontrollieren.
- f) Tragen Sie geeignete Kleidung. Tragen Sie keine weite Kleidung oder Schmuck. Halten Sie Haare und Kleidung fern von sich bewegenden Teilen.** Lockere Kleidung, Schmuck oder lange Haare können von sich bewegenden Teilen erfasst werden.
- g) Wenn Staubabsaug- und -auffangeinrichtungen montiert werden können, sind diese anzuschließen und richtig zu verwenden.** Verwendung einer Staubabsaugung kann Gefährdungen durch Staub verringern.
- h) Wiegen Sie sich nicht in falscher Sicherheit und setzen Sie sich nicht über die Sicherheitsregeln für Elektrowerkzeuge hinweg, auch wenn Sie nach vielfachem Gebrauch mit dem Elektrowerkzeug vertraut sind.** Achtloses Handeln kann binnen Sekundenbruchteilen zu schweren Verletzungen führen.
- 4) Verwendung und Behandlung des Elektrowerkzeugs**
- a) Überlasten Sie das Elektrowerkzeug nicht. Verwenden Sie für Ihre Arbeit das dafür bestimmte Elektrowerkzeug.** Mit dem passenden Elektrowerkzeug arbeiten Sie besser und sicherer im angegebenen Leistungsbereich.
- b) Benutzen Sie kein Elektrowerkzeug, dessen Schalter defekt ist.** Ein Elektrowerkzeug, das sich nicht mehr ein- oder ausschalten lässt, ist gefährlich und muss repariert werden.
- c) Ziehen Sie den Stecker aus der Steckdose und/oder entfernen Sie einen abnehmbaren Akku, bevor Sie Geräteeinstellungen vornehmen, Einsatzwerkzeugteile wechseln oder das Elektrowerkzeug weglegen.** Diese Vorsichtsmaßnahme verhindert den unbeabsichtigten Start des Elektrowerkzeugs.
- d) Bewahren Sie unbenutzte Elektrowerkzeuge außerhalb der Reichweite von Kindern auf. Lassen Sie keine Personen das Elektrowerkzeug benutzen, die mit diesem nicht vertraut sind oder diese Anweisungen nicht gelesen haben.** Elektrowerkzeuge sind gefährlich, wenn sie von unerfahrenen Personen benutzt werden.
- e) Pflegen Sie Elektrowerkzeuge und Einsatzwerkzeug mit Sorgfalt. Kontrollieren Sie, ob bewegliche Teile einwandfrei funktionieren und nicht klemmen, ob Teile gebrochen oder so beschädigt sind, dass die Funktion des Elektrowerkzeugs beeinträchtigt ist. Lassen Sie beschädigte Teile vor dem Einsatz des Elektrowerkzeugs reparieren.** Viele Unfälle haben ihre Ursache in schlecht gewarteten Elektrowerkzeugen.
- f) Halten Sie Schneidwerkzeuge scharf und sauber.** Sorgfältig gepflegte Schneidwerkzeuge mit scharfen Schneidkanten verklemmen sich weniger und sind leichter zu führen.
- g) Verwenden Sie Elektrowerkzeug, Zubehör, Einsatzwerkzeuge usw. entsprechend diesen Anweisungen. Berücksichtigen Sie dabei die Arbeitsbedingungen und die auszuführende Tätigkeit.** Der Gebrauch von Elektrowerkzeugen für andere als die vorgesehenen Anwendungen kann zu gefährlichen Situationen führen.
- h) Halten Sie Griffe und Griffflächen trocken, sauber und frei von Öl und Fett.** Rutschige Griffe und Griffflächen erlauben keine sichere Bedienung und Kontrolle des Elektrowerkzeugs in unvorhergesehenen Situationen.
- 5) Verwendung und Behandlung des Akkuwerkzeugs**
- a) Laden Sie die Akkus nur mit Ladegeräten auf, die vom Hersteller empfohlen werden.** Durch ein Ladegerät, das für eine bestimmte Art von Akkus geeignet ist, besteht Brandgefahr, wenn es mit anderen Akkus verwendet wird.
- b) Verwenden Sie nur die dafür vorgesehenen Akkus in den Elektrowerkzeugen.** Der Gebrauch von anderen Akkus kann zu Verletzungen und Brandgefahr führen.
- c) Halten Sie den nicht benutzten Akku fern von Büroklammern, Münzen, Schlüsseln, Nägeln, Schrauben oder anderen kleinen Metallgegenständen, die eine Überbrückung der Kontakte verursachen könnten.** Ein Kurzschluss zwischen den Akkukontakten kann Verbrennungen oder Feuer zur Folge haben.

- d) **Bei falscher Anwendung kann Flüssigkeit aus dem Akku austreten. Vermeiden Sie den Kontakt damit. Bei zufälligem Kontakt mit Wasser abspülen. Wenn die Flüssigkeit in die Augen kommt, nehmen Sie zusätzlich ärztliche Hilfe in Anspruch.** Austretende Akkuflüssigkeit kann zu Hautreizungen oder Verbrennungen führen.
- e) **Benutzen Sie keinen beschädigten oder veränderten Akku.** Beschädigte oder veränderte Akkus können sich unvorhersehbar verhalten und zu Feuer, Explosion oder Verletzungsgefahr führen.
- f) **Setzen Sie einen Akku keinem Feuer oder zu hohen Temperaturen aus.** Feuer oder Temperaturen über 130 °C können eine Explosion hervorrufen.
- g) **Befolgen Sie alle Anweisungen zum Laden und laden Sie den Akku oder das Akkuwerkzeug niemals außerhalb des in der Betriebsanleitung angegebenen Temperaturbereichs.** Falsches Laden oder Laden außerhalb des zugelassenen Temperaturbereichs kann den Akku zerstören und die Brandgefahr erhöhen.
- 6) **Service**
- a) **Lassen Sie Ihr Elektrowerkzeug nur von qualifiziertem Fachpersonal und nur mit Original-Ersatzteilen reparieren.** Damit wird sichergestellt, dass die Sicherheit des Elektrowerkzeugs erhalten bleibt.
- b) **Warten Sie niemals beschädigte Akkus.** Sämtliche Wartung von Akkus sollte nur durch den Hersteller oder bevollmächtigte Kundendienststellen erfolgen.

ZUSÄTZLICHE SICHERHEITSANWEISUNG FÜR AKKU-RASENTRIMMER

- Niemals Kindern oder Leuten, die nicht mit diesen Anweisungen vertraut sind, den Umgang mit diesem Rasentrimmer erlauben. Örtliche Vorschriften können das Alter des Betreibers einschränken. Den Trimmer außerhalb der Reichweite von Kindern lagern, wenn er nicht in Gebrauch ist.
- Betreiben Sie den Trimmer niemals mit fehlenden oder beschädigten Schutzvorrichtungen oder Schilden oder ohne korrekt angebrachte Schutzvorrichtungen oder Schilde.
- Vor der Benutzung der Maschine und nach einem Aufprall auf Gegenstände ist diese auf Anzeichen von Verschleiß oder Beschädigung zu prüfen und ggf. zu reparieren.
- Das Gerät niemals verwenden, wenn Sie müde oder krank sind oder unter Einfluss von Alkohol, Drogen oder Medikamenten stehen.
- Stets lange, feste Hosen, Stiefel und Handschuhe tragen. Keine weite Kleidung, Schmuck, kurze Hosen, Sandalen tragen und niemals barfuß arbeiten.
- Beim Betrieb der Maschine Schutzbrille und Gehörschutz tragen.
- Immer auf Standfestigkeit und Gleichgewicht achten. Keine anormale Arbeitshaltung einnehmen.
- Den Trimmer nie verwenden, wenn Menschen, insbesondere Kinder oder Haustiere, in der Nähe sind.
- Warten Sie, bis der Spulenfaden vollständig zum Stillstand gekommen ist, bevor Sie ihn berühren. Der Spulenfaden dreht sich auch nach dem Ausschalten des Trimmers weiter; ein rotierender Faden kann Verletzungen verursachen.
- Arbeiten Sie nur bei Tageslicht oder bei guter künstlicher Beleuchtung.
- Vermeiden Sie den Betrieb des Trimmers bei schlechten Wetterbedingungen, insbesondere wenn Gewittergefahr besteht.
- Der Betrieb des Trimmers im nassen Gras verringert seine Effizienz.
- Schalten Sie den Trimmer aus, wenn Sie ihn zu und aus dem zu bearbeitenden Bereich transportieren.
- Schalten Sie den Motor erst ein, wenn die Hände und Füße nicht mehr im Schneidfadenbereich sind.
- Bringen Sie Hände oder Füße nicht in die Nähe des Schneidfadens.
- Entfernen Sie vor dem Spulenwechsel den Akku.
- Bringen Sie niemals Schneideelemente aus Metall an diesen Trimmer an.
- Den Trimmer regelmäßig prüfen und warten.
- Lassen Sie den Trimmer nur von einer autorisierten Kundendienststelle reparieren.
- Achten Sie stets darauf, dass die Lüftungsschlitze frei von Verschmutzungen sind.
- Entfernen Sie den Akku:
 - *wenn Sie das Gerät für einige Zeit unbeaufsichtigt lassen;*
 - *bevor der Faden ersetzt wird;*
 - *vor dem Reinigen oder der Arbeit an dem Gerät.*
- Bewahren Sie das Gerät an einem sicheren, trockenen Ort und außerhalb der Reichweite von Kindern auf. Keine anderen Gegenstände auf dem Gerät ablegen.
- Betreiben Sie das Gerät nicht ohne montierte Fadenhalterung.

SICHERHEITSHINWEISE FUR AKKU

- a) **Öffnen Sie den Akku nicht.** Es besteht die Gefahr eines Kurzschlusses.
- b) **Schützen Sie den Akku vor Hitze, z. B. auch vor dauernder Sonneneinstrahlung, Feuer, Wasser und Feuchtigkeit.** Es besteht Explosionsgefahr.
- c) **Bei Beschädigung und unsachgemäßem Gebrauch des Akkus können Dämpfe austreten.** Führen Sie Frisch luft zu und suchen Sie bei Beschwerden einen Arzt auf. Die Dämpfe können die Atemwege reizen.
- d) **Verwenden Sie den Akku nur in Verbindung mit Ihrem Vonroc Produkt.** Nur so wird der Akku vor gefährlicher Überlastung geschützt.
- e) **Durch spitze Gegenstände wie z. B. Nagel oder Schrau benzieher oder durch äußere Krafteinwirkung kann der Akku beschädigt werden.** Es kann zu einem internen Kurzschluss kommen und der Akku brennen, rauchen, ex plodieren oder überhitzen.

SICHERHEITSHINWEISE FUR DAS LADEGERÄT

Verwendungszweck

Nur für das Laden von wiederaufladbaren Li-Ionen-Akkus des Typs CD801AA und CD803AA geeignet. Andere Arten von Akkus können platzen und zu Verletzungen und Schäden führen.

- a) **Das Gerät darf nicht von Personen (einschließlich Kindern) mit eingeschränkten körperlichen, sensorischen bzw. geistigen Fähigkeiten, mangelnder Erfahrung bzw. fehlendem Wissen verwendet werden, wenn diese nicht beaufsichtigt werden oder eine Einweisung erhalten haben.**
- b) **Kinder sollten beaufsichtigt werden, um sicherzustellen, dass sie nicht mit dem Gerät spielen.**
- c) **Nicht wiederaufladbare Batterien dürfen nicht aufgeladen werden!**
- d) **Während des Ladens müssen sich die Akkus in einem gut belüfteten Raum befinden!**

2. MASCHINENDATEN

Verwendungszweck

Der Rasentrimmer wurde zum Schneiden von Gras und Unkraut entwickelt, auch unter Büschen und an Hängen. Der Rasentrimmer ist ideal für Schnittkanten, die mit dem Rasenmäher nicht erreichbar sind. Der Verwendungszweck bezieht sich auf den Betrieb innerhalb von 0°C bis 45°C Umgebungstemperatur. Verwenden Sie dieses Gerät nicht im Regen.

TECHNISCHE DATEN




Dieses Handbuch wurde für unterschiedliche Sets / Artikelnummern erstellt. Achten Sie in der Spezifikationstabelle mit den korrekten Zusammenstellungen und Inhalten für Ihr Set auf Ihre jeweilige Artikelnummer.

Modelnummer	Batterien enthalten	Ladegerät enthalten
GT501DC	-	-
S_GT501DC	CD801AA	CD802AA
S2_GT501DC	2 x CD801AA	CD802AA
S3_GT501DC	CD803AA	CD802AA

Angaben zum werkzeug	
Spannung	20V
Teleskopstange	420-700 mm
Einstellung des Stangenwinkels	0° - 90°
Einstellbarer Kopf	0° - 90°
Leerlaufdrehzahl	8.000/min
Schneiddurchmesser	250 mm
Schneidsystem	Spule mit 2 Schneidfäden, Tap-and-Go Ø1,2mm x 8m
Gewicht (ohne Akku)	2,1 kg
Schalldruckpegel LPA	71,2 dB(A) K=3 dB(A)
Schallleistungspegel LWA	88,2 dB(A) K=3 dB(A)
Vibrationswert	6,918 m/s ² K=1,5 m/s ²

Modelnummer	CD801AA
Akkutyp	Lithium-Ion
Spannung	20V
Kapazität	2,0 Ah
Empfohlene Ladegeräte	CD802AA
Gewicht	0,3 kg

Modelnummer	CD802AA
Ladegerät Eingang	220-240V, 50Hz 0,4A
Ladegerät Ausgang	21V 2,5A
Ladezeit 2Ah Akku	60 Minuten
Ladezeit 4Ah Akku	120 Minuten
Empfohlene Akkus	CD801AA, CD803AA
Gewicht	0,36 kg

Modellnummer	CD803AA
Akkutyp	Lithium-Ion
Spannung	20V 
Kapazität	4,0 Ah
Empfohlene Ladegeräte	CD802AA
Gewicht	0,65 kg

*Garantierter Wert gemäß Lärmschutzrichtlinie:
LWA 96db (A)*

Verwenden Sie nur folgende Akkus der VONROC VPOWER 20V-Akku-Plattform. Die Verwendung anderer Akkus kann zu schweren Verletzungen oder einer Beschädigung des Werkzeugs führen.

CD801AA 20V, 2Ah Lithium-Ion

CD803AA 20V, 4Ah Lithium-Ion

Folgendes Ladegerät ist zum Aufladen dieser Akkus vorgesehen.

CD802AA Schnellladegerät

Die Akkus der VONROC VPOWER 20V-Akku-Plattform sind unter allen Werkzeugen der VONROC VPOWER 20V-Akku-Plattform austauschbar.

Vibrationsintensität

Die in dieser Bedienungsanleitung angegebene Vibrationsintensität wurde mit einem standardisierten Test gemäß EN 50636-2-91 gemessen. Anhand dieser Größe können Werkzeuge miteinander verglichen werden. Außerdem eignet sich diese Größe für eine erste Beurteilung der Vibrationsbelastung bei Verwendung des Werkzeugs für die angegebenen Anwendungszwecke.

- Bei Verwendung des Werkzeugs für andere Anwendungen oder mit anderem oder unzureichend gewartetem Zubehör kann sich die Vibrationsbelastung erheblich erhöhen.
- Wenn das Werkzeug ausgeschaltet ist, oder wenn es eingeschaltet ist, jedoch nicht genutzt wird, kann sich die Vibrationsbelastung erheblich verringern.

Schützen Sie sich vor den Auswirkungen der Vibration durch Wartung des Werkzeugs und des Zubehörs, halten Sie Ihre Hände warm, und organisieren Sie Ihren Arbeitsablauf.

BESCHREIBUNG

Die Zahlen im Text beziehen sich auf die Abbildungen auf den Seiten 2-5.

1. Batterie
2. Taste zum Entsperren des Akkus
3. Anzeige der Akkuladung
4. Ladegerät
5. Ladegerät-LED-Anzeigen
6. Ein-/Ausschalter
7. Sicherheitsschalter
8. Vorderer Griff
9. Vorderer Handgriff
10. Schutzabdeckung
11. Schraube
12. Schutzschiene
13. Seitliches Rad
14. Seitlicher Radhalter
15. Spulenabdeckung
16. Spulenrolle
17. Spulengehäuse
18. Spulengehäuse
19. Tip-Spulenrolle
20. Trimmerkopf-Einstellknopf
21. Trimmerkopf-Einstellung
22. Unterer Einstellring
23. Oberer Schaft
24. Unterer Schaft
25. Knopf für Akku-LED-Anzeigen

3. MONTAGE



Entfernen Sie vor allen Arbeiten an dem Elektrowerkzeug den Akku.



Warnung! Der Rasentrimmer darf nicht ohne Schutzabdeckung verwendet werden.



Der Akku des Geräts muss vor der erstmaligen Benutzung aufgeladen werden.

Einsetzen des Akkus in das Werkzeug (Abb. C1)



Überprüfen Sie, ob die Außenflächen des Akkus sauber und trocken sind, bevor Sie den Akku an das Ladegerät anschließen oder in das Werkzeug einsetzen.

1. Setzen Sie den Akku (1) in das Gerät ein.
2. Drücken Sie den Akku soweit nach vorn, bis der Akku hörbar einrastet.

Entnehmen des Akkus aus dem Gerät (Abb. C1)

1. Drücken Sie die Akku-Freigabetast (2).
2. Ziehen Sie den Akku aus dem Werkzeug, wie in Abb. C1 dargestellt.

Überprüfen des Akkuladestatus (Abb. C2)

- Drücken Sie zum Überprüfen des Ladezustands kurz die Taste (25) auf dem Akku.
- Der Akku ist mit 3 Leuchten zur Anzeige des Ladezustands ausgestattet. Je mehr davon leuchten, desto höher der Ladezustand.
- Wenn keine der Leuchten an ist, bedeutet das, dass der Akku leer ist und sofort aufgeladen werden muss.

Laden des Akkus über das Ladegerät (Abb. C2)

1. Entnehmen Sie den Akku (1) aus dem Werkzeug.
2. Drehen Sie den Akku (1) mit der Unterseite nach oben, und schieben Sie ihn in das Ladegerät (4), wie in Abb. C2 dargestellt.
3. Drücken Sie den Akku vollständig in die Aufnahme.
4. Stecken Sie den Netzstecker des Ladegerats in eine Steckdose, und warten Sie einen Moment. Die LED-Anzeigen am Ladegerät (5) leuchten zur Anzeige des Ladezustands auf.

Das Ladegerät verfügt über 2 LED-Anzeige (5), die den Ladevorgang anzeigt:

Rote LED	Grüne LED:	Status Ladegerät
Aus	Aus	Keine Stromversorgung
Aus	An	Standby-Modus: - Kein Akku eingelegt oder - Akku eingelegt, aber der Akku ist aufgeladen
An	Aus	Akku wird geladen

- Das vollständige Laden des 2Ah-Akkus kann bis zu 60 Minuten dauern.
- Das vollständige Laden des 4Ah-Akkus kann bis zu 120 Minuten dauern.

Ziehen Sie nach dem vollständigen Laden des Akkus den Stecker des Ladegerats aus der Netzsteckdose, und entnehmen Sie den Akku aus dem Ladegerät.



Wenn das Werkzeug für einen längeren Zeitraum nicht verwendet wird, sollte das Werkzeug möglichst mit einem voll aufgeladenen Akku aufbewahrt werden.

Montage der Schutzvorrichtung (Abb. B1)

- Bringen Sie die Schutzvorrichtung (10) am Trimmerkopfgehäuse an.
- Sichern Sie die Schutzvorrichtung mit der mitgelieferten Schraube (11).

Montage der Schutzschiene (Abb. B2)

- Die Enden der Schiene (12) zusammendrücken und in die Löcher des Trimmerkopfgehäuses schieben.
- Die Schiene kann in verschiedenen Schutzabständen eingestellt werden. Zum Einstellen schieben oder ziehen Sie die Schiene einfach.

Anbringen des vorderen Griffs (Abb. D1)

- Setzen Sie den Griff (8) auf den am oberen Schaft montierten Halter.
- Setzen Sie die Schraube in das Sechskantloch ein und montieren Sie den Knopf (9) an der Schraube.

Einstellen des vorderen Griffs (Abb. D2)

- Schrauben Sie den Knopf (9) etwas los und schieben oder ziehen Sie den vorderen Griff (8) in die gewünschte Position. Dieser kann entweder nach unten oder nach oben gerichtet und um die obere Welle gedreht werden.



Bei seitlicher Verwendung des Geräts immer das Seitenrad verwenden.

Anbringen des seitlichen Rads (Abb. E)

- Schieben Sie das seitliche Rad (13) über den seitlichen Radhalter (14).

Montage der Fadenspule (Abb. F1)



Reinigen Sie das Gerät vor dem Austausch der Spule von jeglichen Verschmutzungen.

- Setzen Sie die Feder (17) in das Spulengehäuse (18) ein. Stellen Sie sicher, dass die breitere Seite der Feder auf dem Trimmerkopf liegt.
- Legen Sie die Spulenrolle (16) über die Feder (17). Stellen Sie sicher, dass die Fäden durch die Löcher im Inneren des Gehäuses (18) geführt werden. (Abb. F2)

- Decken Sie die Spulenrolle mit der Spulenabdeckung (15) ab und befestigen Sie sie durch Festdrehen der Abdeckung.

Auswechseln der Spule (Abb. F1)

- Entfernen Sie die Spulenabdeckung (15).
- Nehmen Sie die Spulenrolle (16) heraus, aber lassen Sie die Feder (17) an ihrem Platz.
- Nehmen Sie die neue Spulenrolle (GT801AA) und legen Sie sie über die Feder (17). Stellen Sie sicher, dass die Fäden durch die Löcher im Inneren des Gehäuses (18) geführt werden. (Abb. F2)
- Decken Sie die neue Spulenrolle mit der Spulenabdeckung (15) ab und befestigen Sie sie durch Festdrehen der Abdeckung.

4. BETRIEB

Verwendung des Tap-and-Go-Systems (Abb. G)

- Wenn der Faden zu kurz geworden ist, schalten Sie die Maschine ein und drücken Sie die Spitze der Spulenrolle (19) auf den Boden. (Achten Sie darauf, dass dies auf einer harten Oberfläche geschieht.)
- Dadurch wird der Faden freigegeben, um verlängert zu werden.
- Der Faden wird durch die in der Schutzabdeckung (10) montierte Klinge automatisch auf die richtige Länge geschnitten.

Kippen des Trimmerkopfes (Abb. H)



Das Gerät ausschalten und den Akku herausnehmen.

- Drücken Sie den Knopf (20) des Trimmerkopfes, um den Kopf in die gewünschte Position zu kippen.
- Wenn der Knopf losgelassen wird, rastet der Kopf in der gewählten Position ein.

Drehen des Trimmerkopfes (Abb. I)

- Drücken Sie den Ring (21) nach unten in Richtung des Trimmerkopfes, um den Kopf in die gewünschte Position zu drehen.
- Wenn der Ring losgelassen wird, rastet der Kopf in der gewählten Position ein.

Einstellung der Stangenhöhe (Abb. J)

- Um die Höhe des Geräts einzustellen, lösen Sie den unteren Einstellring (22).
- Schieben Sie den unteren Schaft (24) vorsichtig

- auf der oberen Schaft (23) nach unten oder oben.
- Drehen Sie den unteren Einstellring (22) fest, um das Gerät in dieser Höhe zu sichern.

Verwendung des Rasentrimmers



Vor dem Gebrauch immer visuell prüfen, ob das Gerät und seine Teile korrekt montiert und weder abgenutzt noch beschädigt sind.

- Für Ihre eigene Sicherheit und für beste Ergebnisse die folgenden Benutzerhinweise lesen und dieses Produkt nur für seinen Bestimmungszweck verwenden.
- Dieser Grastrimmer ist zum Schneiden von Gras vorgesehen. Jeder andere Gebrauch, der nicht speziell in diesem Handbuch erlaubt ist, kann zu Beschädigung des Rasentrimmers führen oder den Bediener verletzen.

Sicherheitsmerkmale

- Die Schutzvorrichtung verfügt über ein Messer zum Schneiden des Fadens auf die richtige Länge. Berühren Sie die Klinge nicht, um die Verletzungsgefahr für den Benutzer zu verringern.
- Der Ein-/Ausschalter (6) und der Sicherheitschalter (7) müssen gemeinsam betätigt werden, um den Motor zu starten. Wenn der Druck auf einen der Schalter abgelassen wird, ist das Werkzeug darauf ausgelegt, schnell zu stoppen.

Ein-/Ausschalten

- Zum Einschalten des Trimmers den Sicherheitschalter (7) und den Ein-/Ausschalter (6) gleichzeitig drücken.
- Zum Ausschalten einen der beiden Schalter loslassen.

5. WARTUNG



Schalten Sie das Werkzeug immer aus, und entnehmen Sie den Akku aus dem Gerät, bevor Sie Reinigungs- oder Wartungsarbeiten am Werkzeug vornehmen.

Reinigen Sie das Werkzeuggehäuse regelmäßig mit einem weichen Lappen, vorzugsweise nach jeder Verwendung. Stellen Sie sicher, dass die Lüftungsöffnungen frei von Staub und Schmutz sind. Entfernen Sie anhaftenden Schmutz mit einem weichen Lappen, der leicht mit Seifenwasser befeuchtet wurde. Verwenden Sie keine Lösungsmittel wie

Benzin, Alkohol, Ammoniak usw., da Chemikalien dieser Art die Kunststoffteile beschädigen.

Am Produkt und am Benutzerhandbuch können Änderungen vorgenommen werden. Die technischen Daten können sich ohne Vorankündigung ändern.

UMWELTSCHUTZ



Schadhafte und/oder zu entsorgende elektrische oder elektronische Werkzeuge und Geräte müssen an den dafür vorgesehenen Recycling-Stellen abgegeben werden.

Nur für EG-Länder

Entsorgen Sie Elektrowerkzeuge nicht über den Hausmüll. Entsprechend der EU-Richtlinie 2012/19/EG über Elektro- und Elektronik-Altgeräte sowie der Umsetzung in nationales Recht müssen Elektrowerkzeuge, die nicht mehr im Gebrauch sind, getrennt gesammelt und umweltschonend entsorgt werden.

GARANTIE

VONROC-Produkte werden nach den höchsten Qualitätsstandards entwickelt und sind für den gesetzlich festgelegten Zeitraum, ausgehend von dem ursprünglichen Kaufdatum, garantiert frei von Fehlern in Material und Ausführung. Sollte das Produkt in diesem Zeitraum aufgrund von Material- und/oder Verarbeitungsmängeln Fehler aufweisen, wenden Sie sich bitte direkt an VONROC Kundendienst.

Folgende Umstände sind von der Garantie ausgeschlossen:

- Reparaturen und oder Änderungen an der Maschine, die durch nicht-autorisierte Servicestellen vorgenommen oder versucht wurden.
- Normale Abnutzung und Verschleiß.
- Das Werkzeug wurde übermäßig beansprucht, missbräuchlich verwendet oder falsch gewartet.
- Es wurden keine Original-Ersatzteile verwendet.

Dies stellt die einzige Gewährleistung des Unternehmens dar, sowohl ausdrücklich als auch implizit.

Es gibt keine anderen ausdrücklichen oder stillschweigenden Garantien, die über das hier Genannte hinausgehen, einschließlich der stillschweigenden Garantien der Marktgängigkeit oder Eignung für einen bestimmten Zweck. In keinem Fall ist VONROC haftbar für Neben- oder Folgeschäden. Die Rechtsmittel des Händlers beschränken sich auf Reparatur oder Ersatz fehlerhafter Einheiten oder Teile.

1. VEILIGHEIDSVOORSCHRIFTEN

Lees de bijgesloten veiligheidswaarschuwingen, de aanvullende veiligheidswaarschuwingen en de instructies. Het niet opvolgen van de veiligheidswaarschuwingen kan elektrische schokken, brand en/of ernstig letsel tot gevolg hebben. Bewaar de veiligheidswaarschuwingen en instructies als naslagwerk voor later.

De volgende symbolen worden gebruikt in de gebruikershandleiding of op het product:



Lees de gebruikershandleiding.



Duidt op het risico van lichamelijk letsel, overlijden en/of beschadiging van het gereedschap, als de instructies in deze gebruiksaanwijzing niet in acht worden genomen.



Risico van een elektrische schok.



Draag gehoorbescherming.



Draag altijd een veiligheidsbril!



Draag een stofmasker.



Draag veiligheidshandschoenen.



Draag veiligheidsschoenen.



Stel de machine niet bloot aan regen.



Klasse II apparaat - Dubbel geïsoleerd - Een geaarde stekker is niet noodzakelijk.



Miniatuurzekering met vertragingstijd.



Max. temperatuur 45°C.



Accu niet verbranden.



Accu niet in het water gooien.



Aparte inzameling van Li-ion-accu's.



Gooi het product niet weg in containers die daarvoor niet geschikt zijn.



Het product voldoet aan de geldende veiligheidsnormen vermeld in de Europese richtlijnen.



Schakel de machine altijd uit en neem de accu eruit voor u de machine reinigt of onderhoud uitvoert.



Het gegarandeerde geluidsvermogensniveau LWA = 96 dB(A)

ALGEMENE VEILIGHEIDSVOORSCHRIFTEN



WAARSCHUWING! Lees alle veiligheids-
waarschuwingen en alle instructies. Het
niet opvolgen van onderstaande instructies
kan leiden tot een elektrische schok, brand
en/of ernstig persoonlijk letsel.

Bewaar deze instructies.

De term “elektrisch gereedschap” in onderstaande waarschuwingen heeft betrekking op zowel apparatuur met een vaste elektriciteitskabel als op apparatuur met een accu (draadloze apparatuur).

1) Werkgebied

- a) **Zorg voor een opgeruimde en goed verlichte werkomgeving.** Rommelige en donkere werkomgevingen leiden tot ongelukken
- b) **Gebruik elektrisch gereedschap nooit in een omgeving waar explosiegevaar bestaat, zoals in de nabijheid van ontvlambare vloeistoffen, gassen, dampen of andere stoffen.** Elektrische gereedschappen kunnen vonken veroorzaken, die deze stoffen tot ontbranding kunnen brengen.
- c) **Wanneer u elektrisch gereedschap gebruikt, houd dan kinderen en omstanders op afstand.** Wanneer u wordt afgeleid, kunt u de controle over het gereedschap verliezen.

2) Elektrische veiligheid

- a) **Stekkers van elektrische gereedschappen moeten probleemloos passen op het stopcontact. Breng nooit wijzigingen aan in of aan de stekker. Gebruik geen adapters voor geaarde elektrische gereedschappen.** Standaardstekkers en passende stopcontacten verkleinen de kans op een elektrische schok.
- b) **Voorkom lichamelijk contact met geaarde oppervlakken van bijvoorbeeld pijpen, leidingen, radiatoren, fornuizen en koelkasten.** Wanneer uw lichaam geaard is, wordt de kans

- op een elektrische schok groter.
- c) **Stel elektrische gereedschappen nooit bloot aan regen of vocht.** Wanneer er water binnendringt in een elektrisch gereedschap, wordt de kans op een elektrische schok groter.
- d) **Gebruik het snoer niet om het elektrisch gereedschap te dragen, te verplaatsen of de stekker uit het stopcontact te trekken. Bescherm het snoer tegen olie, warmte, scherpe randen en bewegende delen.** Beschadigde of vastzittende snoeren vergroten de kans op een elektrische schok.
- e) **Wanneer u elektrische gereedschappen buiten gebruikt, gebruik dan een verlengkabel die geschikt is voor buitengebruik.** Door een kabel te gebruiken die geschikt is voor buitengebruik, wordt de kans op een elektrische schok kleiner.
- f) **Gebruik een aardlekbeveiliging (RCD) als niet te voorkomen is dat een powertool moet worden gebruikt in een vochtige omgeving.** Gebruik van een RCD vermindert het risico van elektrische schokken.
- 3) Persoonlijke veiligheid**
- a) **Blijf altijd alert, kijk goed wat u doet en gebruik uw gezonde verstand wanneer u een elektrisch gereedschap gebruikt. Gebruik geen elektrische gereedschappen wanneer u moe bent, of drugs, alcohol of medicijnen hebt gebruikt.** Eén moment van onachtzaamheid bij het gebruik van elektrische gereedschappen kan ernstige verwondingen tot gevolg hebben.
- b) **Gebruik persoonlijke beschermingsmiddelen. Draag altijd een veiligheidsbril.** Een gepast gebruik van veiligheidsvoorzieningen, zoals een stof masker, speciale werkschoenen met antislipzolen, een veiligheidshelm en gehoorbescherming verkleinen de kans op persoonlijk letsel.
- c) **Voorkom dat het gereedschap per ongeluk wordt gestart. Zorg dat de schakelaar op de UITpositie staat, voordat u de stekker in het stopcontact steekt.** Draag elektrisch gereedschap nooit met uw vinger op de schakelaar en steek ook nooit de stekker van ingeschakelde elektrische gereedschappen in het stopcontact: dit leidt tot ongelukken.
- d) **Verwijder alle instel en andere sleutels uit het elektrisch gereedschap voordat u hem inschakelt.** Instel en andere sleutels aan een ronddraaiend onderdeel van het elektrisch gereedschap kunnen tot verwondingen leiden.
- e) **Zorg dat u nooit uw evenwicht kunt verliezen; houd altijd twee voeten stevig op de vloer.** Hierdoor kunt u het elektrisch gereedschap in onverwachte situaties beter onder controle houden.
- f) **Zorg dat u geschikte kleding draagt. Draag geen loshangende kleding of sieraden. Houd uw haar, kleding en handschoenen uit de buurt van bewegende delen.** Loshangende kleding, sieraden en lang haar kunnen vast komen te zitten in bewegende delen.
- g) **Wanneer er voorzieningen zijn voor de aansluiting van stofafzuiginstallaties, zorg dan dat ze op de juiste wijze worden aangesloten en gebruikt.** Gebruik van deze voorzieningen vermindert de gevaren die door stof worden veroorzaakt.
- h) **Denk niet dat doordat u gereedschap vaak gebruikt, u wel weet hoe het allemaal werkt en dat u de veiligheidsbeginselen voor het gebruik van het gereedschap wel kunt negeren.** Een onbezonnen actie kan in een fractie van een seconde ernstig letsel tot gevolg hebben.
- 4) Gebruik en onderhoud van elektrisch gereedschap**
- a) **Oefen geen overmatige kracht uit op elektrisch gereedschap. Gebruik het juiste gereedschap voor uw specifieke toepassing.** Met het juiste elektrische gereedschap voert u de taak beter en veiliger uit wanneer dit op de snelheid gebeurt waarvoor het apparaat is ontworpen.
- b) **Gebruik nooit elektrisch gereedschap waarvan de AAN/UITschakelaar niet werkt.** Ieder elektrisch gereedschap dat niet kan worden in en uitgeschakeld met de schakelaar is gevaarlijk en moet worden gerepareerd.
- c) **Trek de stekker uit het stopcontact voordat u wijzigingen aanbrengt aan elektrische gereedschappen, accessoires verwisselt of het elektrisch gereedschap opbergt.** Wanneer u zich aan deze preventieve veiligheidsmaatregelen houdt, beperkt u het risico dat het gereedschap per ongeluk wordt gestart.
- d) **Berg elektrisch gereedschap dat niet in gebruik is op buiten bereik van kinderen en laat personen die niet bekend zijn met het gereedschap of deze instructies het apparaat niet gebruiken.** Elektrisch gereedschap is gevaarlijk in de handen van ongeoeffende gebruikers.
- e) **Zorg voor een goed onderhoud van elektrisch gereedschap. Controleer of bewegende delen op de juiste wijze zijn vastgezet. Controleer**

- ook of er geen onderdelen defect zijn of dat er andere omstandigheden zijn die van invloed kunnen zijn op de werking van het gereedschap. Laat het gereedschap bij beschadigingen repareren vóór gebruik.** Veel ongelukken worden veroorzaakt door slecht onderhoud van het gereedschap.
- f) **Zorg dat snij en zaagwerktuigen scherp en schoon blijven.** Goed onderhouden snij en zaagwerktuigen met scherpe randen zullen minder snel vastlopen en zijn eenvoudiger onder controle te houden.
- g) **Gebruik alle elektrische gereedschappen, accessoires, bitjes etc., zoals aangegeven in deze instructies en op de wijze waarvoor het gereedschap is ontworpen. Houd daarbij rekening met de werkomstandigheden en de uit te voeren taak.** Gebruik van elektrisch gereedschap voor handelingen die afwijken van de taken waarvoor het apparaat is ontworpen kunnen leiden tot gevaarlijke situaties.
- h) **Houd handgrepen en greepoppervlakken droog, schoon en vrij van olie en vet.** Gladde handgrepen en greepoppervlakken maken veilig werken en controle over het gereedschap in onverwachte situaties onmogelijk.
- 5) **Gebruik en onderhoud accugereedschap**
- a) **Laad alleen op met de lader die door de fabrikant is gespecificeerd.** Een lader die voor een bepaalde accu geschikt is, kan brand veroorzaken wanneer deze met een andere accu wordt gebruikt.
- b) **Gebruik elektrisch gereedschap alleen met de speciaal hiervoor bedoelde accu's.** Gebruik van andere accu's kan kans op letsel en brand geven.
- c) **Wanneer de accu niet in gebruik is, houd deze dan uit de buurt van andere metalen voorwerpen zoals paperclips, munten, sleutels, spijkers, schroeven of andere kleine metalen voorwerpen die een verbinding tussen twee polen kunnen maken.** Kortsluiting tussen de accupolen kan brandwonden of brand veroorzaken.
- d) **Wanneer de accu niet juist wordt gebruikt, kan er vloeistof uit lopen; raak dit niet aan. Wanneer dit per ongeluk wel gebeurt, spoel dan met water. Wanneer de vloeistof in de ogen komt, moet u een arts raadplegen.** De vloeistof uit de accu kan irritaties of brandwonden veroorzaken.
- e) **Gebruiken niet een accu of gereedschap dat beschadigd is of gemodificeerd.** Beschadigde of gemodificeerde accu's kunnen onvoorspelbaar gedrag vertonen, wat brand, explosie of een risico van letsel met zich meebrengt.
- f) **Stel een accu over het gereedschap niet bloot aan open vuur of een uitzonderlijk hoge temperatuur.** Blootstelling aan vuur of een temperatuur hoger dan 130 °C, kan een explosie veroorzaken. NB De temperatuur van "130 °C" kan worden vervangen door de temperatuur van "265 °F".
- g) **Houd u aan alle instructies voor het laden en laad de accu of het gereedschap niet op buiten het temperatuurbereik dat in de instructies wordt aangeduid.** Op een onjuiste wijze laden of laden bij temperaturen buiten het aangeduide bereik kan de accu beschadigen en het risico van brand doen toenemen.
- 6) **Service**
- a) **Laat uw gereedschap onderhouden door een gekwalificeerde onderhoudstechnicus die alleen gebruikmaakt van identieke vervangingsonderdelen.** Dit zorgt ervoor dat de veiligheid van de powertool intact blijft.
- b) **Voer nooit servicewerkzaamheden uit aan beschadigde accu's.** Alleen de fabrikant of geautoriseerde service-providers mogen servicewerkzaamheden aan accu's uitvoeren.

AANVULLENDE VEILIGHEIDSINSTRUCTIE SNOERLOZE GRASTRIMMER

- Laat nooit kinderen of mensen met een beperking of mensen die deze instructies niet kennen, deze trimmer gebruiken. Ter plaatse geldende voorschriften kunnen een beperking van de leeftijd van de gebruiker inhouden. Berg de trimmer, wanneer deze niet in gebruik is, op buiten bereik van kinderen.
- Werk nooit met de trimmer wanneer beschermkappen of schilden ontbreken of gebroken zijn of zonder dat beschermkappen of schilden zijn geplaatst.
- Controleer de machine voor u deze gebruikt of nadat deze is gestoten, op tekenen van slijtage of beschadiging, en voer reparaties uit als dat nodig is.
- Werk nooit met de machine wanneer u moe bent of u zich niet lekker voelt of wanneer u onder invloed bent van alcohol of drugs, of van medicatie.
- Draag altijd een lange broek van zware stof, laarzen en handschoenen. Draag geen losse

kleding, sieraden, korte broek, sandalen en werk nooit blootsvoets.

- Draag oogbescherming en gehoorbescherming wanneer u met de machine werkt.
- Blijf stevig op beide voeten en in evenwicht staan. Reik niet te ver.
- Werk nooit met deze trimmer terwijl er mensen, vooral kinderen, of huisdieren, bij u in de buurt zijn.
- Raak de spoellijn pas aan wanneer deze volledig tot stilstand is gekomen. De spoellijn blijft nog even draaien nadat de trimmer is uitgeschakeld, een ronddraaiende draad kan letsel veroorzaken.
- Werk alleen bij daglicht en bij goed kunstlicht.
- Werk niet met de trimmer onder slechte weersomstandigheden, vooral niet wanneer er onweer dreigt.
- Wanneer u met de trimmer in nat gras werkt, nemen de prestaties af.
- Schakel de machine uit wanneer u deze van en naar de werkplek vervoert.
- Schakel de machine alleen in wanneer handen en voeten weg zijn bij het maaimechanisme.
- Houd uw handen en voeten weg bij het maaimechanisme.
- Neem de accu uit voordat u de spoel wisselt.
- Plaats nooit metalen maai-elementen op deze trimmer.
- Inspecteer en onderhoud de trimmer regelmatig.
- Laat de trimmer uitsluitend door een geautoriseerde servicedienst repareren.
- Let er altijd op dat de ventilatiesleuven vrij blijven van vuil.
- Neem de accu uit:
 - *wanneer u de machine enige tijd onbeheerd achterlaat;*
 - *voordat u de draad vervangt;*
 - *voordat u de trimmer gaat schoonmaken of nazien.*
- Berg de machine buiten bereik van kinderen op in een veilige, droge ruimte. Plaats er geen andere voorwerpen bovenop de machine.
- Werk niet met de machine zonder dat het draadhulpstuk is gemonteerd.

VEILIGHEIDSVOORSCHRIFTEN VOOR DE ACCU

- a) **Open de accu niet.** Er bestaat gevaar voor kortsluiting.
- b) **Bescherm de accu tegen hitte, bijvoorbeeld ook tegen voortdurend zonlicht, vuur, water en vocht.** Er bestaat explosiegevaar.

- c) **Bij beschadiging en onjuist gebruik van de accu kunnen er dampen vrijkomen. Zorg voor frisse lucht en raadpleeg bij klachten een arts.** De dampen kunnen de lucht wegen irriteren.
- d) **Gebruik de accu alleen in combinatie met uw Vonroc product.** Alleen zo wordt de accu tegen gevaarlijke overbelasting beschermd.
- e) **Door scherpe voorwerpen, zoals bijv. spijkers of schroevendraaiers of door krachtingwerking van buitenaf kan de accu beschadigd worden.** Het kan tot een interne kortsluiting leiden en de accu doen branden, roken, exploderen of oververhitten.

VEILIGHEIDSVOORSCHRIFTEN VOOR DE LADER Bedoeld gebruik

Laad uitsluitend herlaadbare accupacks van het type CD801AA en CD803AA. Andere typen accu's kunnen exploderen, wat lichamelijk letsel en schade kan veroorzaken.

- a) **Het apparaat dient niet te worden gebruikt door personen (inclusief kinderen) met verminderde fysieke, zintuiglijke of mentale functies of personen zonder enige ervaring en kennis, tenzij zij onder toezicht staan of zijn geïnstrueerd.**
- b) **Laat kinderen onder toezicht niet met het apparaat spelen.**
- c) **Laad niet-herlaadbare accu's niet opnieuw op!**
- d) **Plaats de accu's tijdens het opladen in een goed geventileerde ruimte!**

2. INFORMATIE OVER DE MACHINE

Bedoeld gebruik

De grastrimmer is ontwikkeld voor het maaien van gras en onkruid, onder struiken maar ook op hellingen. De grastrimmer is bij uitstek geschikt voor het maaien van randen die niet met de gazonmaaier kunnen worden bereikt. Bedoeld gebruik heeft betrekking op het werken bij omgevingstemperaturen tussen 0°C en 45°C. Gebruik deze machine niet in de regen.


TECHNISCHE SPECIFICATIES




Deze gebruikshandleiding is opgesteld voor verschillende sets / artikelnummers.

Controleer het bijbehorende artikelnummer in de onderstaande specificaties voor de juiste samenstelling en inhoud van uw set.

Model Nr.	Batterijen meegeleverd	Acculader meegeleverd
GT501DC	-	-
S_GT501DC	CD801AA	CD802AA
S2_GT501DC	2 x CD801AA	CD802AA
S3_GT501DC	CD803AA	CD802AA

Model Nr.	CD803AA
Accu type	Lithium-Ion
Voltage	20V 
Vermogen	4,0 Ah
Aanbevolen laadapparaat	CD802AA
Gewicht	0,65 kg

Technische informatie	
Spanning	20V 
Telescopische stang	420-700 mm
Aanpassing hoek stang	0° - 90°
Kop aan te passen	0° - 90°
Onbelaste snelheid	8.000/min
Maaidiameter	250 mm
Maaisysteem	2-lijns draadspoel, Tap-and-go Ø1,2mm x 8m
Gewicht (zonder accu)	2,1 kg
Geluidsrukniveau LPA	71,2(A), K=3 dB(A)
Geluidsvermogeniveau LWA	88,2 dB(A), K=3 (A)
Trillingswaarde	6,918 m/s ² K=1,5 m/s ²

Gegarandeerde waarde volgens de geluidsrichtlijn:
LwA 96db (A)

Gebruik uitsluitend de volgende accu's van het VONROC VPOWER 20V accu-platform. Gebruik van andere accu's kan leiden tot ernstig letsel of tot beschadiging van het gereedschap.


CD801AA 20V, 2Ah Lithium-Ion

CD803AA 20V, 4Ah Lithium-Ion

De volgende lader kan worden gebruikt voor het opladen van deze accu's.

CD802AA Snellader


De accu's van het VONROC VPOWER 20V accu-platform kunnen worden gewisseld tussen alle gereedschappen van het VONROC VPOWER 20V accu-platform.

Model Nr.	CD801AA
Accu type	Lithium-Ion
Voltage	20V 
Vermogen	2,0 Ah
Aanbevolen laadapparaat	CD802AA
Gewicht	0,3 kg

Trillingsniveau

Het trillingsemismissieniveau, dat in deze gebruiksaanwijzing wordt vermeld, is gemeten in overeenstemming met een gestandaardiseerde test volgens EN 50636-2-91 deze mag worden gebruikt om twee machines met elkaar te vergelijken en als voorlopige beoordeling van de blootstelling aan trilling bij gebruik van de machine voor de vermelde toepassingen.

- Het gebruik van de machine voor andere toepassingen, of met andere of slecht onderhouden accessoires, kan het blootstellingsniveau aanzienlijk verhogen.
- Wanneer de machine is uitgeschakeld of wanneer deze loopt maar geen werk verricht, kan dit het blootstellingsniveau aanzienlijk reduceren.

Model Nr.	CD802AA
Acculader ingang	220-240V, 50Hz 0,4A
Acculader uitgangsvermogen	21V  2,5A
Oplaaftijd 2Ah accu	60 minuten
Oplaaftijd 4Ah accu	120 minuten
Aanbevolen accu's	CD801AA, CD803AA
Gewicht	0,36 kg

Bescherm uzelf tegen de gevolgen van trilling door de machine en de accessoires te onderhouden, uw handen warm te houden en uw werkwijze te organiseren.

BESCHRIJVING

De nummers in deze tekst verwijzen naar de diagrammen op pagina 2-5.

1. Accu
2. Ontgrendelingsknop accu
3. Aanduiding geringe lading van accu
4. Lader
5. LED-indicatielampjes lader
6. Aan/uit-schakelaar
7. Veiligheidsschakelaar
8. Voorste handgreep
9. Knop voorste handgreep
10. Beschermkap
11. Schroef
12. Rail beschermkap
13. Zijwiel
14. Zijwielhouder
15. Spoelkap
16. Spoelklos
17. Spoelveer
18. Spoelbehuizing
19. Punt spoelklos
20. Afstelknop trimmerkop
21. Afstelling trimmerkop
22. Onderste afstelling
23. Bovenste as
24. Onderste as
25. Knop LED-indicatielampjes accu

3. MONTAGE



Verwijder de accu voordat u werkzaamheden aan het elektrisch gereedschap gaat uitvoeren.



Waarschuwing! Gebruik de grastrimmer niet zonder de beschermkap.



De machine moet voor het eerste gebruik worden opgeladen.

De accu in de machine plaatsen (Afb. C1)



Controleer dat de buitenzijde van de accu schoon en droog is voordat u de accu in de lader of de machine steekt.

1. Plaats de accu (1) in de onderkant van de machine, zoals is weergegeven in Fig. C1.
2. Duw de accu verder naar voren tot deze vastklikt.

De accu van de machine verwijderen (Afb. C1)

1. Duw op de ontgrendelingsknop van de accu (2).
2. Trek de accu uit de machine zoals afgebeeld in Fig. C1.

De laadstatus van de accu controleren (Afb. C2)

- Druk kort op de knop (25) op de accu om de laadstatus van de accu te controleren.
- Op de accu bevinden zich 3 lampjes die het laadniveau aangeven. Hoe meer lampjes branden, des te meer is de accu opgeladen.
- Wanneer de lampjes niet branden, wil dit zeggen dat de accu leeg is en onmiddellijk moet worden opgeladen.

De accu laden met de acculader (Afb. C2)

1. Haal de accu (1) uit de machine.
2. Draai de accu (1) ondersteboven en schuif deze op de acculader (4), zoals is weergegeven in Afb. C2.
3. Duw op de accu tot deze volledig in de sleuf zit.
4. Steek de stekker van de acculader in een stopcontact en wacht even. De Led-lampjes op de acculader (5) gaan branden en tonen de status van de lader.

De acculader heeft 2 led-controlelampjes (5) die de status van het laadproces aangeven:

Status rode LED	Status groene LED	Status van acculader
Uit	Uit	Geen stroom
Uit	Aan	Standby mode: - Geen accu geplaatst, of - Opladen van de accu is beëindigd, de accu is volledig opgeladen
Aan	Uit	Bezig met opladen van accu

- Het kan tot 60 minuten duren voordat de 2Ah accu volledig is opgeladen.
- Het kan tot 120 minuten duren voordat de 4Ah accu volledig is opgeladen.

Verwijder, als de accu volledig is opgeladen, de stekker van de acculader uit het stopcontact en haal de accu uit de acculader.



Wanneer deze machine gedurende een langere tijd niet wordt gebruikt, is het raadzaam de accu te bewaren in opgeladen toestand.

De beschermkap monteren (Afb. B1)

- Plaats de beschermkap (10) op de behuizing van de trimmerkop.
- Zet de beschermkap vast met de bijgeleverde schroef (11).

De rail van de beschermkap monteren (Afb. B2)

- Knijp de uiteinden van de rail (12) van de beschermkap naar elkaar toe en schuif de rail in de gaten van de behuizing van de trimmerkop.
- De rail van de beschermkap kan op verschillende afstanden worden ingesteld. U hoeft alleen maar tegen de rail te duwen of eraan te trekken als u de rail wilt afstellen.

De voorste handgreep monteren (Afb. D1)

- Plaats de handgreep (8) op de houder die op de bovenste as is gemonteerd.
- Plaats de bout in het zeskantige gat en monteer de knop (9) op de bout.

De voorste handgreep afstellen (Afb. D2)

- Schroef de knop (9) wat los en druk of trek de voorste handgreep (8) in de gewenste positie. Dit kan omlaag zijn of omhoog en u kunt de handgreep rond de bovenste as draaien.



Gebruikt u de machine in zijwaartse richting, gebruik dan altijd het zijwiel.

Het zijwiel monteren (Afb. E)

- Schuif het zijwiel (13) over de zijwielhouder (14).

De draadspool monteren (Afb. F1)



Maak de machine volledig schoon voordat u de spool vervangt.

- Plaats de veer (17) in de spoolbehuizing (18). Let er op dat u de bredere zijde van de veer op de trimmerkop plaatst.
- Plaats de spoelklos (16) over de veer (17). Let erop dat de draden door de gaten in de behuizing (18) komen te lopen. (Afb. F2)
- Bedek de spoelklos met de spoelkap (15) en zet deze vast door de kap stevig dicht te draaien.

De draadspool vervangen (Afb. F1)

- Verwijder het spoelkap (15).
- Neem de spoelklos (16) uit, maar laat de veer (17) zitten.
- Neem de nieuwe spoelklos (GT801AA) en plaats deze over de veer (17). Let erop dat de draden door de gaten in de behuizing (18) komen te lopen. (Afb. F2)
- Bedek de nieuwe spoelklos met de spoelkap (15) en zet deze vast door de kap stevig dicht te draaien.

4. WERKING

Werken met het Tap-and-go-systeem (Afb. G)

- Wanneer de draad te kort is, schakel dan de machine in en druk op de punt van de spoelklos (19) op de grond (zorg ervoor dat u dit doet op een hard oppervlak).
- Zo wordt de draad vrijgegeven en wordt deze langer.
- De draad wordt automatisch op de juiste lengte afgeknipt door het mes dat in de beschermkap (10) is gemonteerd.

De trimmerkop kantelen (Afb. H)



Houd de machine uitgeschakeld en koppel de accu los.

- Druk op de knop (20) van de trimmerkop zodat u de kop in de gewenste positie kunt kantelen.
- Wanneer u de knop loslaat, zal de kop vastklikken in de gekozen positie.

De trimmerkop draaien (Afb. I)

- Druk de ring (21) omlaag naar de trimmerkop zodat u de kop in de gewenste positie kunt draaien.
- Wanneer u de ring loslaat, zal de kop vastklikken in de gekozen positie.

De hoogte van de stang aanpassen (Afb. J)

- U kunt de hoogte van de machine aanpassen, door de onderste afstelring (22) los te draaien.
- Duw voorzichtig de onderste as (24) omhoog of omlaag van de bovenste as (23) af.
- Zet de machine op deze hoogte vast door de onderste afstelring (22) vast te zetten.

Werken met de grastrimmer



Voer voor gebruik altijd een visuele inspectie van de machine en de onderdelen ervan uit en kijk of zij goed zijn gemonteerd, niet versleten of beschadigd zijn.

- Lees voor uw eigen veiligheid en voor het beste resultaat de volgende gebruikersadviezen en gebruik dit product niet voor andere toepassingen dan de bedoelde.
- Deze grastrimmer is gemaakt voor het maaien van gras. Alle andere toepassingen die niet specifiek in deze handleiding worden toegestaan, kunnen leiden tot beschadiging van de grastrimmer of tot verwonding van de gebruiker.

Veiligheidsfuncties

- De beschermkap is voorzien van een mes voor het op de juiste lengte afsnijden van de draad. Raak het mest niet aan en beperk zo de kans dat u zich zelf verwondt.
- U start de motor door de aan/uit-schakelaar (6) en de veiligheidsschakelaar (7) tegelijk te bedienen. Het gereedschap is zo ontworpen dat het snel tot stilstand komt als er geen druk meer wordt uitgeoefend op één van de schakelaars.

In-/Uitschakelen

- Schakel de heggenschaar in door de veiligheidsschakelaar (7) en de startschakelaar (6) tegelijkertijd in te drukken.
- U kunt de grastrimmer uitschakelen door één schakelaar of beide los te laten.

5. ONDERHOUD



Schakel, voordat u met de reiniging en het onderhoud begint, altijd de machine uit en haal het accupack uit de machine.

Reinig de machinebehuizing regelmatig met een zachte doek, bij voorkeur iedere keer na gebruik. Zorg dat de ventilatiesleuven vrij van stof en vuil zijn. Gebruik bij hardnekkig vuil een zachte doek bevochtigd met zeepwater. Gebruik geen oplosmiddelen als benzine, alcohol, ammonia, etc. Dergelijke stoffen beschadigen de kunststof onderdelen.

MILIEU



Defecte en/of afgedankte elektrische of elektronische gereedschappen dienen ter verwerking te worden aangeboden aan een daarvoor verantwoordelijke instantie.

Uitsluitend voor EG-landen

Werp elektrisch gereedschap niet weg bij het huisvuil. Conform de Europese Richtlijn 2012/19/EG voor Afgedankte Elektrische en Elektronische Apparatuur en de implementatie ervan in nationaal recht moet niet langer te gebruiken elektrisch gereedschap gescheiden worden verzameld en op een milieuvriendelijke wijze worden verwerkt.

GARANTIE

VONROC producten zijn ontworpen volgens de hoogste kwaliteitsstandaarden en gegarandeerd vrij van defecten, zowel materieel als fabrieksfouten, tijdens de wettelijk vastgestelde garantieperiode vanaf de eerste aankoopdatum. Mocht het product tijdens deze periode gebreken vertonen veroorzaakt door defecte materialen en/of fabrieksfouten, neem dan rechtstreeks contact op met VONROC.

De volgende situaties vallen niet onder de garantie:

- Er zijn reparaties of aanpassingen aan de machine uitgevoerd, of er is een poging daartoe ondernomen, door een niet-geautoriseerd servicecentrum.
- Normale slijtage.
- De machine is misbruikt, verkeerd gebruikt of slecht onderhouden.
- Er zijn niet-originele reserveonderdelen gebruikt.

Dit vormt de enige garantie opgesteld door het bedrijf zowel expliciet als impliciet. Er bestaan geen andere garanties expliciet of impliciet welke verder gaan dan deze garantie, inclusief impliciete garanties van verkoopbaarheid en geschiktheid voor bepaalde doeleinden. In geen enkel geval kan VONROC aansprakelijk worden gesteld voor incidentele schade of gevolgschade. Reparaties van dealers zijn gelimiteerd tot de reparatie of vervanging van defecte producten of onderdelen.

Het product en de gebruikershandleiding zijn onderhevig aan wijzigingen. Specificaties kunnen zonder opgaaf van redenen worden gewijzigd.

1. CONSIGNES DE SÉCURITÉ

En plus des avertissements de sécurité suivants, veuillez également lire les avertissements de sécurité additionnels ainsi que les instructions. Le non-respect des avertissements de sécurité et des instructions peut entraîner une décharge électrique, un incendie et/ou des blessures graves. Veuillez conserver les avertissements de sécurité et les instructions pour consultation ultérieure.

Les symboles suivants sont utilisés dans le manuel d'utilisation ou apposés sur le produit:



Lisez le manuel d'utilisation.



Indique un risque de blessure, de décès ou de détérioration de l'outil en cas de non-respect des consignes de ce manuel.



Risque de décharge électrique.



Portez des protections auditives.



Portez toujours des lunettes de protection!



Portez un masque antipoussière.



Portez des gants de protection.



Portez des chaussures de sécurité.



N'exposez pas la machine à la pluie.



Machine de classe II - Double isolation - Vous n'avez pas besoin de prise avec mise à la terre.



Fusible miniature à fusion lente.



Température max. 45°C.



Ne jetez pas la batterie au feu.



Ne jetez pas la batterie dans de l'eau.



Separate collection for Li-ion battery.



Ne jetez pas le produits de façon inappropriée.



Le produit est conforme aux normes de sécurité des directives européennes en vigueur.



Avant toute opération de nettoyage ou de maintenance, éteignez toujours la machine et retirez-en le bloc-batterie.



Le niveau de puissance sonore garanti LWA= 96 dB(A)

CONSIGNES GÉNÉRALES DE SÉCURITÉ

AVERTISSEMENT! Veuillez lire l'intégralité des avertissements de sécurité et des instructions. Le nonrespect de toutes les instructions indiquées cidessous peut entraîner un risque de choc électrique, d'incendie et/ou de blessures graves.

Conservez ces instructions.

Le terme "appareil électrique" mentionné dans tous les avertissements cidessous se rapporte à un appareil électrique qui se branche au réseau électrique (grâce à un câble d'alimentation) ou à un appareil électrique (sans fil) fonctionnant grâce à une batterie.

1) Espace de travail

- Veillez toujours à garder votre espace de travail propre et bien éclairé.** Les espaces mal rangés et sombres peuvent être la cause d'accidents.
- N'utilisez pas les appareils électriques dans des environnements susceptibles d'explosion, par exemple en présence de liquides inflammables, de gaz ou de particules.** Les appareils électriques provoquent des étincelles qui peuvent enflammer les particules des émanations.
- Veillez à garder éloignés les enfants et les personnes se trouvant dans votre voisinage, lors de l'utilisation d'un appareil électrique.** Les distractions peuvent vous faire perdre le contrôle de l'appareil.

2) Mesures de sécurité électriques

- Les prises des appareils électriques doivent être raccordées à la prise murale correspondante. Ne modifiez jamais la prise de l'appareil, de quelque façon que ce soit. N'utilisez pas d'adaptateurs qui mettent les appareils électriques à la terre (mise à la masse).** Des prises non modifiées et branchées à la prise murale correspondante

réduiront les risques de choc électrique.

- b) **Évitez le contact direct avec les surfaces mises à la terre ou mises à la masse comme les canalisations, les radiateurs, les cuisinières et les réfrigérateurs.** En effet, le risque de choc électrique s'accroît si votre corps est mis à la terre ou à la masse.
- c) **N'utilisez pas d'outils électriques dans des environnements pluvieux ou humides.** Si de l'eau s'introduit dans un appareil électrique, le risque de choc électrique augmentera.
- d) **N'utilisez pas le câble de manière abusive. N'utilisez jamais le câble pour transporter, tirer ou débrancher l'appareil électrique. Veillez à garder le câble éloigné des sources de chaleur, des huiles, des rebords coupants ou des pièces actionnées.** Les câbles endommagés ou entremêlés augmentent le risque de choc électrique.
- e) **Lorsque un appareil est utilisé à l'extérieur, utilisez uniquement un câble prolongateur prévu à cet effet.** L'utilisation d'un câble à usage extérieur réduit le risque de choc électrique.
- f) **Si vous êtes contraint d'utiliser un outil électrique dans un environnement humide, utilisez une alimentation protégée par un dispositif à courant résiduel (RCD).** L'utilisation d'un RCD réduit le risque de décharge électrique.

3) Sécurité personnelle

- a) **Restez vigilant, gardez un œil sur ce que vous faites et utilisez votre sens commun lors de l'utilisation d'un appareil électrique. N'utilisez pas un appareil électrique si vous êtes fatigué ou si vous êtes sous l'influence de drogues, d'alcool ou si vous prenez des médicaments.** Un moment d'inattention lors de l'utilisation des appareils électriques peut entraîner des blessures graves.
- b) **Utilisez un équipement de protection personnelle. Protégez-vous toujours les yeux.** Les équipements de protection, tels qu'un masque à poussière, des chaussures antidérapantes, des protections auditives ou un casque de sécurité, utilisés dans de bonnes conditions, réduiront le risque de blessures.
- c) **Prévenez tout démarrage involontaire. Assurez-vous que l'interrupteur est sur la position "arrêt avant de brancher l'appareil.** En effet, le transport des appareils électriques en gardant vos doigts sur l'interrupteur, ou le branchement de ces appareils en ayant l'interrupteur sur

"marche accidents.

- d) **Retirez les clés de réglage ou les clés de vis de réglage avant d'allumer l'appareil électrique.** Une clé de vis de réglage ou une clé, laissée sur une pièce en mouvement de l'appareil électrique, peut entraîner des lésions corporelles.
- e) **Ne pas se précipiter. Gardez toujours vos pieds à plat et gardez votre équilibre.** Ceci permet de mieux contrôler l'appareil électrique dans des situations imprévues.
- f) **Habillez-vous convenablement. Ne portez pas de vêtements lâches ou de bijoux. Gardez vos cheveux, vêtements et gants éloignés des pièces actionnées.** En effet, ces derniers peuvent être pris dans les pièces en action.
- g) **Si les appareils sont fournis pour la connexion des équipements d'évacuation et de récupération de la poussière, assurez-vous que ces derniers soient correctement connectés et utilisés.** L'utilisation de ces appareils peut réduire les risques liés à la poussière.
- h) **Ne pensez pas être familiarisé avec l'outil après l'avoir utilisé à de nombreuses reprises, au point de ne plus rester vigilant et d'oublier les consignes de sécurité.** Toute action imprudente peut engendrer de graves blessures en une fraction de seconde.

4) Utilisation et entretien d'un appareil électrique

- a) **Ne forcez pas l'appareil électrique. Utilisez l'appareil électrique adéquat pour votre application.** Un appareil électrique correctement choisi assurera un meilleur travail et un travail sans danger, au rythme auquel il a été conçu.
- b) **N'utilisez pas l'appareil électrique si l'interrupteur marche/arrêt ne fonctionne pas.** Un appareil électrique qui ne peut pas être commandé par l'interrupteur de contrôle est dangereux et doit être réparé.
- c) **Débranchez la prise du bloc d'alimentation avant d'effectuer des réglages, de changer des accessoires, ou de ranger les appareils électriques.** Ces mesures de sécurité préventives réduiront le risque de démarrage involontaire de l'appareil électrique.
- d) **Rangez les appareils électriques arrêtés hors de la portée des enfants et ne laissez aucune personne, non familiarisée avec l'outil ou ces instructions, utiliser l'appareil électrique.** Les appareils électriques sont dangereux entre les mains d'utilisateurs non formés.

- e) **Entretenez les appareils électriques. Vérifiez tout défaut d'alignement et l'enchaînement des pièces actionnées, la rupture de ces dernières, et les autres conditions qui peuvent affecter le fonctionnement des appareils électriques. En cas de dommages, faites réparer l'appareil électrique avant de le réutiliser.** Nombreux sont les accidents provoqués par des appareils électriques mal entretenus.
- f) **Veillez à garder les outils coupants aiguisés et propres.** Des outils coupants correctement entretenus avec des lames aiguisées sont moins susceptibles de se bloquer et sont plus faciles à contrôler.
- g) **Utilisez l'appareil électrique, les accessoires et les embouts, etc., conformément à ces instructions et de la manière prévue pour le type spécifique de l'appareil électrique, en prenant en compte les conditions de travail et le travail à effectuer.** L'utilisation de l'appareil électrique dans des applications différentes de celles prévues peut entraîner des situations dangereuses.
- h) **Gardez les poignées et les surfaces de préhension sèches, propres et exemptes d'huile et de graisse.** Des poignées et des surfaces de préhension glissantes ne permettent pas de manipuler et de contrôler l'outil correctement en cas de situations inattendues.
- h) **Gardez les poignées et les surfaces de préhension sèches, propres et exemptes d'huile et de graisse.** Des poignées et des surfaces de préhension glissantes ne permettent pas de manipuler et de contrôler l'outil correctement en cas de situations inattendues.
- 5) **Utiliser et soigner les outils à batterie**
- a) **Rechargez la batterie uniquement avec le chargeur spécifié par le fabricant.** Un chargeur adapté à une certaine batterie peut être cause de danger d'incendie quand on l'utilise avec une batterie différente.
- b) **Utilisez chaque outil uniquement avec la batterie conçue pour lui.** L'utilisation de toute autre batterie peut être cause de danger de blessure ou d'incendie.
- c) **Lorsque une batterie n'est pas en usage, gardez-la hors d'atteinte d'objets métalliques tels que les trombones, pièces de monnaie, clés, clous, vis et autres petits objets métalliques pouvant faire le contact entre une borne et l'autre.** Un court-circuit entre les bornes de la batterie peut être cause de brûlures ou d'incendie.
- d) **Dans des circonstances extrêmes, du liquide peut gicler hors de la batterie ; évitez tout contact. En cas de contact accidentel, rincez à l'eau. En cas de contact du liquide avec les yeux, consultez un médecin.** Le liquide qui gicle d'une batterie peut causer irritations ou brûlures.
- e) **N'utilisez pas un bloc-batterie ou un outil endommagé ou modifié.** Une batterie endommagée ou altérée peut avoir un comportement imprévisible qui peut conduire à un incendie, une explosion ou un risque de blessure.
- f) **N'exposez pas le bloc-batterie ou l'outil au feu ou à des températures excessives.** L'exposition au feu ou à des températures dépassant 130 °C peut provoquer une explosion. REMARQUE La température de "130°C" peut être remplacé par la température de "265°F".
- g) **Respectez les instructions pour la charge et ne rechargez pas le bloc-batterie ou l'outil à une plage de températures hors de celle spécifiée dans les instructions.** Une charge mal effectuée ou à des températures hors de la plage spécifiée peut endommager la batterie et augmente le risque d'incendie.
- 6) **Maintenance**
- a) **L'entretien de votre outil électrique doit être confié à un réparateur qualifié qui utilise uniquement des pièces de rechange identiques aux pièces d'origine.** Cela permet d'assurer la sécurité de l'outil électrique.
- b) **Ne réparez jamais des blocs-batteries endommagés.** Les réparations sur les blocs-batteries ne doivent être effectuées que par le fabricant ou l'un de ses prestataires de services agréés.

CONSIGNES DE SÉCURITÉ SUPPLÉMENTAIRES PROPRES AUX COUPE-BORDURES

- Ne laissez jamais les enfants et les personnes ne connaissant pas ces instructions utiliser le coupe-bordure. Il se peut que la réglementation locale impose des restrictions quant à l'âge de l'utilisateur. Lorsqu'il n'est pas utilisé, rangez le coupe-bordure hors de portée des enfants.
- Ne faites jamais fonctionner le coupe-bordure si l'un de ses carter de protection ou déflecteurs est manquant, cassé ou mal positionné.
- Avant d'utiliser la machine ou après un choc, contrôlez l'absence de signes d'usure ou de

dommages et faites effectuer les réparations nécessaires.

- Ne faites jamais fonctionner le produit si vous êtes fatigué, malade ou sous l'influence d'alcool, de drogue ou de médicaments.
- Veillez à toujours porter des pantalons à jambes longues, des bottes et des gants. Veillez à ne jamais porter de vêtements amples, de bijoux, de shorts, de sandales et à ne jamais travailler pieds nus.
- Veillez à porter des protections oculaires et auditives pour utiliser la machine.
- Gardez les pieds bien ancrés au sol et conservez votre équilibre. Ne vous penchez pas.
- Ne travaillez jamais avec le coupe-bordure si des personnes, et particulièrement des enfants ou des animaux, sont à proximité.
- Patientez que la bobine de fil se soit complètement immobilisée avant de la toucher. Le fil continue à tourner après l'extinction du coupe-bordure et il peut provoquer des blessures.
- Veillez à uniquement travailler de jour ou avec un excellent éclairage artificiel.
- Évitez d'utiliser le coupe-bordure en cas d'intempéries et particulièrement en cas d'orage.
- Le fait d'utiliser le coupe-bordure dans de l'herbe mouillée réduit son efficacité.
- Éteignez le coupe-bordure pour le transporter d'une zone de travail à une autre.
- Ne démarrez le moteur que si vos pieds et vos mains sont loin des organes de coupe.
- Ne placez pas vos mains et vos pieds près du système de coupe.
- Retirez la batterie avant de remplacer la bobine de fil.
- N'installez jamais aucun élément de coupe métallique sur ce coupe-bordure.
- Veillez à inspecter et à entretenir le coupe-bordure régulièrement.
- Ne faites réparer le coupe-bordure que par des prestataires de service agréés.
- Veillez à ce que les fentes d'aération restent exemptes de débris.
- Retirez la batterie:
 - *Quand vous laissez la machine sans surveillance, même peu de temps;*
 - *Avant de remplacer le fil de coupe;*
 - *Avant de nettoyer ou d'intervenir d'une façon ou d'une autre sur le coupe-bordure.*
- Veillez à ranger la machine dans un endroit sec, hors de portée des enfants. Ne posez aucun

autre objet sur le dessus de la machine.

- Ne faites pas fonctionner la machine si l'attache du fil n'est pas en place.

AVERTISSEMENTS DE SECURITE POUR L'ACCU

- a) **Ne pas ouvrir l'accu.** Risque de court-circuit.
- b) **Protéger l'accu de toute source de chaleur, comme p. ex. l'exposition directe au soleil, au feu, à l'eau et à l'humidité.** Il y a risque d'explosion.
- c) **En cas d'endommagement et d'utilisation non conforme de l'accu, des vapeurs peuvent s'échapper. Ventiler le lieu de travail et, en cas de malaises, consulter un médecin.** Les vapeurs peuvent entraîner des irritations des voies respiratoires.
- d) **N'utilisez l'accumulateur qu'avec votre produit Vonroc.** Ceci protège l'accumulateur contre une surcharge dangereuse.
- e) **Les objets pointus comme un clou ou un tournevis et le fait d'exercer une force extérieure sur le boîtier risque d'endommager l'accu.** Il peut en résulter un court-circuit interne et l'accu risque de s'enflammer, de dégager des fumées, d'exploser ou de surchauffer.

AVERTISSEMENTS DE SECURITE POUR LE CHARGEUR

Utilisation prévue

Chargez uniquement à l'aide de la batterie Li-ion rechargeable CD801AA ou un CD803AA. Tout autre type de batterie est susceptible d'éclater et de provoquer des blessures et des dommages matériels.

- a) **L'appareil n'est pas destiné à être utilisé par des personnes (notamment des enfants) souffrant de déficiences physiques, sensorielles ou mentales, ou par des personnes inexpérimentées ou non formées. Toute utilisation doit se faire sous la surveillance d'une personne responsable et avec les instructions appropriées.**
- b) **Même sous surveillance, les enfants ne doivent pas jouer avec l'appareil.**
- c) **Ne rechargez pas les batteries non rechargeables!**
- d) **Veillez effectuer la recharge des batteries dans un endroit bien ventilé!**

2. INFORMATIONS SUR LA MACHINE

Utilisation prévue

Le coupe-bordure a été développé pour couper la pelouse et l'herbe, sous les buissons et dans les pentes. Le coupe-bordure est idéal pour entretenir les bordures qui ne peuvent pas être atteintes avec une tondeuse. L'utilisation prévue prévoit un fonctionnement à une température ambiante comprise entre 0°C et 45°C. N'utilisez pas cette machine sous la pluie.

SPÉCIFICATIONS TECHNIQUES



Ce manuel a été élaboré pour plusieurs kits / numéros d'articles différents. Consultez le numéro d'article correspondant à votre produit dans le tableau des caractéristiques qui suit pour obtenir la composition et le contenu corrects de votre kit.

N° de modèle	Batteries incluses	Chargeur inclus
GT501DC	-	-
S_GT501DC	CD801AA	CD802AA
S2_GT501DC	2 x CD801AA	CD802AA
S3_GT501DC	CD803AA	CD802AA

Informations sur la machine	
Tension	20V
Perche télescopique	420-700 mm
Réglage de l'inclinaison de la perche	0° - 90°
Tête réglable	0° - 90°
Vitesse à vide	8.000/min
Diamètre de coupe	250 mm
Système de coupe	Bobine à 2 fils, avance du fil par frappe au sol Ø1,2mm x 8m
Poids (sans la batterie)	2,1 kg
Niveau de pression sonore LPA	71,2 dB(A) K=3 dB(A)
Niveau de puissance sonore LWA	88,2 dB(A), K=3 dB(A))
Valeur des vibrations	6,918 m/s ² K=1,5 m/s ²

N° de modèle	CD801AA
Type de batterie	Lithium-Ion
Tension	20V
Capacité	2,0 Ah
Chargeurs recommandés	CD802AA
Poids	0,3 kg

N° de modèle	CD802AA
Entrée chargeur	220-240V, 50Hz 0,4A
Sortie chargeur	21V 2,5A
Durée de charge 2Ah Batterie	60 minutes
Durée de charge 4Ah Batterie	120 minutes
Accus recommandés	CD801AA, CD803AA
Poids	0,36 kg

N° de modèle	CD803AA
Type de batterie	Lithium-Ion
Tension	20V
Capacité	4,0 Ah
Chargeurs recommandés	CD802AA
Poids	0,65 kg

Valeur garantie selon la directive bruit: LwA 96db (A)

N'utilisez que les batteries suivantes de la plateforme Batterie VONROC VPOWER 20V. L'utilisation de toute autre batterie pourrait provoquer de graves blessures ou endommager l'outil.
 CD801AA 20V, 2Ah Lithium-Ion
 CD803AA 20V, 4Ah Lithium-Ion

Le chargeur suivant peut être utilisé pour recharger ces batteries.
 CD802AA Chargeur rapide

Les batteries de la plateforme Batterie VONROC VPOWER 20V sont interchangeables pour tous les outils de la plateforme Batterie VONROC VPOWER 20V.

Niveau de vibrations

Le niveau des vibrations émises, indiqué dans ce manuel, a été mesuré conformément à la procédure décrite par la norme EN 50636-2-91. Il peut être utilisé pour comparer deux outils ou pour réaliser une estimation préalable de l'exposition aux vibrations lors de l'utilisation de l'outil pour les applications mentionnées.

- L'utilisation de l'outil dans d'autres applications ou avec des accessoires différents ou mal entretenus peut considérablement augmenter le niveau d'exposition.
- La mise hors tension de l'outil et sa non-utilisation pendant qu'il est allumé peuvent considérablement réduire le niveau d'exposition.

Protégez-vous contre les effets des vibrations par un entretien correct de l'outil et de ses accessoires, en vous échauffant les mains et en organisant vos rythmes de travail.

DESCRIPTION

Les numéros dans le texte renvoient aux diagrammes des pages 2 à 5.

1. Batterie (non incluse)
2. Bouton de libération de la batterie
3. Indicateur du niveau de charge de la batterie
4. Chargeur (non incluse)
5. Voyants du chargeur
6. Interrupteur Marche/Arrêt
7. Interrupteur de sécurité
8. Poignée avant
9. Bouton de la poignée avant
10. Carter de protection
11. Vis
12. Garde
13. Roulette latérale
14. Porte-roulette latérale
15. Cache-bobine
16. Rouleau de la bobine
17. Ressort de la bobine
18. Porte-bobine
19. Sommet rouleau de la bobine
20. Bouton de réglage de la tête du coupe-bordure
21. Bague de réglage de la tête du coupe-bordure
22. Bague de réglage inférieure
23. Manche supérieur
24. Manche inférieur
25. Bouton indicateur de batterie

3. ASSEMBLAGE



Avant d'intervenir d'une quelconque façon sur l'outil électrique, retirez la batterie.



Avertissement! N'utilisez pas le coupe-bordure sans son carter de protection.



La machine doit être rechargée avant la première utilisation.

Installer la batterie dans la machine (Fig. C1)



Veillez à ce que l'extérieur de la batterie soit propre et sec avant de la raccorder au chargeur ou à la machine.

1. Insérez la batterie (1) dans la base de la machine, comme illustre a la Fig. C1.
2. Poussez la batterie vers l'avant jusqu'à ce qu'elle s'enclenche.

Retirer la batterie de la machine (Fig. C1)

1. Poussez les bouton de deverrouillage de la batterie (2).
2. Retirez la batterie de la machine, comme illustre a la Fig. C1.

Contrôle de l'état de charge de la batterie (Fig. C2)

- Pour vérifier l'état de charge de la batterie, appuyez brièvement sur le bouton (25) de la batterie.
- Quatre voyants indiquent le niveau de charge de la batterie. Plus il y a de voyants allumés, plus la charge est importante.
- Lorsque les voyants sont éteints cela indique que la batterie est vide et qu'elle doit être rechargée immédiatement.

Recharge de la batterie avec le chargeur (Fig. C2)

1. Retirez la batterie (1) de la machine.
2. Retournez la batterie (1) et faites-la glisser dans le chargeur (4), comme illustre a la Fig. C2.
3. Enfoncez la batterie tout au fond du logement.
4. Branchez la fiche du chargeur dans une prise électrique et patientez. Les indicateurs à LED sur le chargeur (5) s'allument et indiquent l'état du chargeur.

Le chargeur possède deux indicateur a LED (5) qui indique l'état du processus de charge:

État de l'indicateur à LED rouge	État de l'indicateur à LED vert	État du chargeur
Éteint	Éteint	Aucune alimentation
Éteint	Allumé	Mode veille: - Aucune batterie n'est insérée ou - La batterie est insérée, mais la charge s'est achevée
Allumé	Éteint	Batterie en cours de charge

- Il faut compter jusqu'à 60 minutes pour recharger complètement la batterie 2Ah.
- Il faut compter jusqu'à 120 minutes pour recharger complètement la batterie 4Ah.

Lorsque la batterie est entièrement chargée, débranchez le chargeur de la prise secteur et retirez la batterie du chargeur.



Quand la machine n'est pas utilisée pendant une période prolongée, il est préférable d'entreposer la batterie rechargée.

Installer le carter de protection (Fig. B1)

- Installez le carter de protection (10) sur le boîtier de la tête du coupe-bordure.
- Fixez le carter de protection à l'aide de la vis (11) fournie.

Installer la garde (Fig. B2)

- Pincez les extrémités de la garde (12) et glissez-les dans les trous du boîtier de la tête de coupe.
- La garde peut être réglée à différentes distances. Pour régler la garde, il suffit de simplement de l'enfoncer ou de la sortir plus.

Installer la poignée avant (Fig. D1)

- Placez la poignée (8) sur le support qui se trouve sur le manche supérieur.
- Installez le boulon dans le trou hexagonal et installez le bouton (9) sur le boulon.

Régler la poignée avant (Fig. D2)

- Dévissez légèrement le bouton (9) puis enfoncez ou tirez la poignée avant (8) jusqu'à la position voulue. La poignée peut être abaissée, relevée ou pivotée autour du manche.



Veillez à toujours utiliser la roulette latérale quand vous utilisez la machine près de trottoirs.

Installer la roulette latérale (Fig. E)

- Glissez la roulette latérale (13) par-dessus le porte-roulette latérale (14).

Installer la bobine de fil (Fig. F1)



Supprimez tous les débris de la machine avant de remplacer la bobine.

- Placez le ressort (17) dans le porte-bobine (18). Veillez à ce que la partie la plus large du ressort se trouve sur la tête du coupe-bordure.
- Placez le rouleau de la bobine (16) par-dessus le ressort (17). Veillez à ce que les fils passent par les trous à l'intérieur du porte-bobine (18). (Fig. F2)
- Couvrez le rouleau de la bobine avec le cache-bobine (15) et fixez le tout en tournant légèrement le cache.

Remplacer la bobine de fil (Fig. F1)

- Retirez le cache-bobine (15).
- Sortez le rouleau de la bobine (16) en veillant à laisser le ressort (17) à l'intérieur.
- Prenez la bobine neuve (GT801AA) et placez-la par-dessus le ressort (17). Veillez à ce que les fils passent par les trous à l'intérieur du porte-bobine (18). (Fig. F2)
- Couvrez le rouleau de la bobine neuve avec le cache-bobine (15) et fixez le tout en tournant légèrement le cache.

4. FONCTIONNEMENT

Utiliser le système d'avance du fil par frappe au sol (Fig. G)

- Lorsque le fil devient trop court, allumez la machine et appuyez le sommet du rouleau de la bobine (19) sur le sol (assurez-vous de la faire sur une surface dure).
- Cela permet de libérer du fil pour le rallonger.
- Le fil est automatiquement coupé à la bonne

longueur par la lame qui se trouve sur le carter de protection (10).

Incliner la tête du coupe-bordure (Fig. H)



Veillez garder la machine éteinte et à retirer la batterie.

- Enfoncez le bouton (20) de la tête du coupe-bordure pour incliner la tête dans la position voulue.
- Une fois le bouton relâché, la tête s'enclenche et se verrouille dans la position choisie.

Tourner la tête du coupe-bordure (Fig. I)

- Enfoncez la bague (21) vers la tête du coupe-bordure pour tourner la tête dans la position voulue.
- Une fois la bague relâchée, la tête s'enclenche et se verrouille dans la position choisie.

Régler la hauteur de la perche (Fig. J)

- Pour régler la hauteur de la machine, desserrez la bague de réglage inférieure (22).
- Poussez doucement le manche inférieur (24) vers le bas ou le haut par rapport au manche supérieur (23).
- Resserrez la bague de réglage inférieure (22) pour figer la hauteur de la machine.

Utiliser le coupe-bordure



Avant chaque utilisation, contrôlez toujours que la machine et ses pièces sont correctement installées et qu'elles ne sont ni usées, ni endommagées.

- Pour votre propre sécurité et afin d'obtenir les meilleurs résultats possible, veillez à lire les conseils d'utilisation qui suivent et ne pas utiliser ce produit à d'autres fins que celles prévues.
- Ce coupe-bordure est destiné à couper de l'herbe. Toute autre utilisation non spécifiquement autorisée dans ce manuel peut conduire à endommager le coupe-bordure et à blesser son utilisateur.

Caractéristiques liées de sécurité

- Le carter de protection est équipé d'une lame qui sert à couper le fil à la bonne longueur. Afin de réduire tout risque de blessures, veillez à ne pas toucher la lame.

- L'interrupteur Marche/Arrêt (6) et l'interrupteur de sécurité (7) doivent être actionnés en même temps pour pouvoir démarrer le moteur. Si l'un des deux interrupteurs est relâché, l'outil est conçu pour s'arrêter rapidement.

Mise en marche et extinction

- Pour allumer le coupe-bordure, appuyez simultanément sur l'interrupteur de sécurité (7) et sur l'interrupteur Marche/Arrêt (6).
- Pour éteindre machine, relâchez l'un des deux interrupteurs.

5. ENTRETIEN



Avant le nettoyage et l'entretien, mettez toujours la machine hors tension et retirez la batterie de la machine.

Nettoyez le corps de la machine régulièrement au moyen d'un chiffon doux, de préférence après chaque utilisation. Vérifiez que les ouvertures d'aération ne sont pas obstruées ni sales. Utilisez un chiffon doux légèrement humidifié avec de la mousse de savon pour nettoyer les taches persistantes. N'utilisez pas de produits de nettoyage tels que l'essence, l'alcool, l'ammoniac, etc.; ces produits peuvent endommager les parties synthétiques.

ENVIRONNEMENT



Les équipements électroniques ou électriques défectueux ou destinés à être mis au rebut doivent être déposés aux points de recyclage appropriés.

Uniquement pour les pays de l'UE

Ne jetez pas les outils électriques avec les déchets domestiques. Selon la Directive européenne 2012/19/CE relative aux déchets d'équipements électriques et électroniques et sa mise en oeuvre dans le droit national, les outils électriques hors d'usage doivent être collectés séparément et mis au rebut de manière écologique.

GARANTIE

Les produits VONROC sont développés aux plus hauts standards de qualité et ils sont garantis contre les défauts de pièces et de main d'oeuvre pendant la durée légale stipulée à partir de la

date d'achat d'origine du produit. En cas d'une quelconque panne du produit pendant cette durée qui serait due à un défaut matériel et/ou de main d'oeuvre, contactez directement VONROC.

Les circonstances suivantes ne sont pas prises en charge par la garantie:

- Des réparations ou altérations ont été effectuées ou tentées sur la machine par un centre de réparation non agréé.
- L'usure normale.
- L'outil a été maltraité, mal utilisé ou mal entretenu.
- Des pièces détachées non d'origine ont été utilisées.

Ceci constitue l'unique garantie accordée par la société explicitement ou implicitement. Il n'existe aucune autre garantie, explicite ou implicite, qui peut s'étendre au delà du contenu ici présent, y compris les garanties marchandes ou d'adaptation à des fins particulières. En aucun cas VONROC ne sera tenu responsable de dommages accidentels ou consécutifs. Les solutions proposées par les revendeurs devront se limiter à la réparation ou le remplacement des éléments ou pièces non conformes.

Le produit et le manuel d'utilisation sont sujets à modifications. Les spécifications peuvent changer sans préavis.

1. INSTRUCCIONES DE SEGURIDAD

Lea las advertencias de seguridad, las advertencias de seguridad adicionales y las instrucciones adjuntas. De no respetarse las advertencias de seguridad y las instrucciones, podrían producirse descargas eléctricas, incendios y/o lesiones graves. Conserve las advertencias de seguridad y las instrucciones para su posterior consulta.

Los siguientes símbolos se utilizan en el manual de usuario o en el producto:



Lea el manual de usuario.



Denota riesgo de lesiones personales, pérdida de vida o daños a la herramienta en caso de incumplimiento de las instrucciones del presente manual.



Riesgo de descarga eléctrica.



Use protectores auditivos.



¡Use siempre protectores oculares!



Use mascarilla antipolvo.



Use guantes de protección.



Use botas de protección.



No exponer a la lluvia.



Máquina de clase II - Doble aislamiento - No necesita enchufe con puesta a tierra.



Fusible cinta miniatura de tipo retardado.



Temperatura máx. 45°C.



No arroje la batería al fuego.



No arroje la batería al agua.



Recogida selectiva de la batería de iones de litio.



No tire el producto en contenedores inadecuados.

CE El producto es conforme a las normas de seguridad aplicables según las directivas europeas.



Antes de realizar la limpieza y el mantenimiento, apague siempre la máquina y extraiga la batería de la máquina.



Nivel de potencia sonora garantizado
LWA = 96 dB(A)

INSTRUCCIONES GENERALES DE SEGURIDAD



PRECAUCIÓN! Lea todas las advertencias de seguridad y todas las instrucciones. Si no lo hace, el uso indebido puede acarrear cortocircuitos, fuego o lesiones graves.

Conserve estas instrucciones.

El término "herramienta eléctrica", en todas las advertencias enumeradas a continuación se refiere a su herramienta eléctrica (i nalámbrica) que funciona con una batería o a través de la red eléctrica.

1) Área de trabajo

- Trabaje en un lugar limpio y bien iluminado.** Lugares no iluminados o sucios propician accidentes.
- No use herramientas eléctricas donde haya riesgo de fuego o explosión, p.ej: cerca de líquidos o gases inflamables, polvo etc.** Las herramientas eléctricas producen chispas que pueden producir la ignición de partículas de humo.
- Mantenga a los niños y otras personas alejados mientras utiliza la herramienta eléctrica.** Las distracciones pueden hacer que pierda el control de la herramienta.

2) Seguridad eléctrica

- Cerchiórese de que las clavijas de la herramienta eléctrica están correctamente enchufadas. Nunca modifique la clavija. No utilice ningún adaptador para la clavija de una herramienta eléctrica con conexión a tierra.** Las clavijas que no se hayan cambiado y los enchufes adecuados reducen el riesgo de cortocircuitos.
- Evite el contacto humano con superficies con conexiones a tierra como tubos metálicos, conductos, tubos de la calefacción, radiadores y refrigeradores.** El riesgo de cortocircuitos es mayor cuando el cuerpo está en contacto con el suelo.
- No use herramientas eléctricas bajo la lluvia**

o en entornos húmedos. Si entra agua en una herramienta eléctrica aumenta el riesgo de cortocircuito.

- No utilice el cable para todo. Nunca utilice el cable para mover la máquina, empujarla o sacar la clavija del enchufe. Mantenga el cable alejado del calor, aceite, zonas cortantes o piezas en movimiento.** Los cables dañados o enredados aumentan el riesgo de cortocircuito.
 - Use un cable alargador impermeable adecuado para exteriores cuando trabaje con la herramienta eléctrica al aire libre.** El riesgo de cortocircuito es menor si utiliza un cable alargador adecuado para exteriores.
 - Si no se puede evitar el uso de la herramienta eléctrica en un lugar húmedo, use suministro protegido mediante dispositivo diferencial residual (DDR).** El uso de un DDR reduce el riesgo de choque eléctrico.
 - No permita que la familiaridad adquirida con el uso frecuente de las herramientas le haga confiarse e ignorar los principios de seguridad de las herramientas.** Una acción descuidada puede causar lesiones graves en una fracción de segundo.
- #### 3) Seguridad personal
- No se descuide, preste atención a lo que está haciendo y utilice el sentido común mientras trabaje con esta herramienta. No use herramientas eléctricas cuando esté cansado o esté bajo los efectos del alcohol, las drogas o los medicamentos.** Un momento de distracción, mientras utilice la herramienta eléctrica, puede provocar lesiones personales graves.
 - Use equipo de protección individual. Use siempre gafas protectoras.** El uso en condiciones apropiadas del equipo de seguridad como por ejemplo: mascarilla antipolvo, zapatos antideslizantes de seguridad, casco o protección para los oídos, disminuye el riesgo de sufrir lesiones personales.
 - Evite arranques involuntarios. Asegúrese de que el interruptor está en la posición de apagado antes de conectarlo a la fuente de electricidad.** Transportar herramientas eléctricas con el dedo puesto sobre el interruptor o enchufarlas con el interruptor encendido puede causar accidentes.
 - Quite cualquier llave de ajuste antes de encender la herramienta eléctrica.** Una llave olvidada junto a una pieza móvil de la herramienta eléctrica puede provocar lesiones personales graves.

- e) **No se estire demasiado. Mantenga siempre el equilibrio y tenga los pies en el suelo.** Esto permite un mayor control de la herramienta eléctrica en situaciones inesperadas.
 - f) **Vístase apropiadamente. No lleve prendas holgadas o joyas. Mantenga su pelo, ropa y guantes alejados de las piezas móviles.** Las prendas holgadas, las joyas y el pelo largo pueden quedar atrapados en las piezas móviles.
 - g) **Si se han suministrado dispositivos para la extracción y recogida de polvo asegúrese de que estos estén conectados y se utilicen correctamente.** El uso de estos dispositivos puede reducir los riesgos relacionados con el polvo.
- 4) Utilización y cuidados de la herramienta eléctrica**
- a) **No fuerce la herramienta eléctrica. Utilice la herramienta eléctrica adecuada para el trabajo que vaya a realizar.** Una herramienta eléctrica apropiada realizará un trabajo mejor y más seguro si se utiliza para el objetivo con el que ha sido diseñada.
 - b) **No use herramientas que no pueden encenderse o apagarse con el interruptor.** Las herramientas que ya no se puedan encender y apagar son peligrosas y deben repararse.
 - c) **Desenchufe la clavija de la toma de electricidad antes de realizar modificaciones, cambiar accesorios o guardar las herramientas eléctricas.** Tales medidas de seguridad preventivas reducen el riesgo de la puesta en marcha accidental.
 - d) **Mantenga a los niños alejados de una herramienta eléctrica sin utilizar y no permita a personas que no estén familiarizadas con la máquina o estas instrucciones utilizar la herramienta.** La herramienta eléctrica puede ser peligrosa cuando la utilicen personas sin experiencia.
 - e) **Conserve sus herramientas cuidadosamente. Verifique cualquier desalineación o agarrotamiento de piezas móviles, piezas dañadas y cualquier otra causa, que pudiera repercutir en el buen funcionamiento de la herramienta eléctrica. Si la herramienta está estropeada, repárela antes de utilizarla.** Muchos de los accidentes están causados por un mantenimiento insuficiente del equipo eléctrico.
- f) **Mantenga las herramientas de corte limpias y afiladas.** Sierras con esquinas cortantes con un buen mantenimiento se bloquean menos y son más fáciles de controlar.
 - g) **Utilice la herramienta eléctrica, accesorios y brocas etc. Siguiendo las instrucciones atendiendo al tipo de herramienta eléctrica y tenga en cuenta las condiciones de trabajo y el tipo de trabajo que se va a realizar.** Puede ser peligroso realizar trabajos con la herramienta diferentes de aquellos para los que está diseñada.
- 5) Uso y cuidado de las herramientas alimentadas por batería**
- a) **Recargue las baterías únicamente con el cargador recomendado por el fabricante.** Un cargador que es apto para un tipo de baterías determinado puede provocar riesgo de incendio si se usa para cargar otra clase de baterías.
 - b) **Use las herramientas eléctricas sólo con las baterías indicadas específicamente.** El uso de otra clase de baterías diferente puede ocasionar el riesgo de derivar en lesiones o un incendio.
 - c) **Cuando el paquete de baterías no esté en uso, consérvelo retirado de objetos metálicos como sujetapapeles, monedas, llaves, clavos, tornillos o cualquier otro objeto metálico pequeño que pueda hacer puente entre las terminales.** El contacto entre las terminales de la batería puede causar quemaduras o incendio.
 - d) **Bajo condiciones extremas de abuso la batería podría expulsar un líquido; evite todo contacto. Si se produjese contacto accidentalmente, lávese bien con agua. Si el líquido hace contacto con los ojos, consulte también al médico.** El líquido emanado de la batería puede causar irritaciones o quemaduras.
 - e) **No utilice una batería o una herramienta que esté dañada o modificada.** Las baterías dañadas o modificadas pueden presentar un comportamiento impredecible y provocar un incendio, una explosión o riesgo de lesiones.
 - f) **No exponga una batería o una herramienta al fuego o a temperatura excesiva.** La exposición al fuego o a temperaturas superiores a 130 °C puede provocar una explosión. NOTA La temperatura "130 °C" puede sustituirse por la temperatura "265 °F".
 - g) **Siga todas las instrucciones de carga y no cargue la batería o la herramienta fuera del rango de temperatura especificado en las instruccio-**

nes. La carga incorrecta o a temperaturas fuera del rango especificado puede causar daños a la batería y aumentar el riesgo de incendio.

6) Servicio

- a) **Haga reparar su herramienta eléctrica por una persona cualificada, usando solo piezas de repuesto idénticas.** Esto garantiza que se mantenga la seguridad de la herramienta eléctrica.
- b) **Nunca repare las baterías dañadas.** El mantenimiento de las baterías debe ser realizado solo por el fabricante o los proveedores de servicio autorizados.

INSTRUCCIONES DE SEGURIDAD ADICIONALES PARA DESBROZADORAS SIN CABLE

- Nunca permita que niños o personas que no estén familiarizadas con estas instrucciones usen la desbrozadora. Las normas locales pueden restringir la edad del operador. Cuando no use la desbrozadora, guárdela fuera del alcance de los niños.
- Nunca use la desbrozadora si le faltan las protecciones o pantallas o si las tiene rotas, o si no tiene las protecciones y las pantallas en su posición.
- Antes de usar la máquina después de que haya recibido un golpe, compruebe si tiene signos de desgaste o daños y, si es necesario, repárela.
- Nunca utilice el producto si está cansado, enfermo o bajo los efectos de alcohol, medicamentos o drogas.
- Lleve siempre pantalones largos y pesados, botas y guantes. No use ropa suelta, joyas, pantalones cortos ni sandalias, y nunca trabaje descalzo.
- Use protección ocular de seguridad y protectores auditivos cuando utilice la máquina.
- Manténgase firme y equilibrado. No se estire demasiado.
- Nunca trabaje con la desbrozadora si hay personas, especialmente niños, o mascotas cerca.
- Espere a que la línea del carrete se haya detenido completamente antes de tocarla. La línea del carrete sigue girando después de apagar la desbrozadora, y el hilo al girar puede causar lesiones.
- Trabaje solo a la luz del día o con buena luz artificial.
- Evite usar la desbrozadora si hay mal tiempo, especialmente en caso de riesgo de rayos.
- Utilizar la desbrozadora en el pasto mojado

- disminuye la eficiencia de las prestaciones.
- Apague la desbrozadora cuando la desplace desde y hacia la zona de trabajo.
- Encienda el motor solo cuando tenga las manos y los pies alejados de los elementos de corte.
- No ponga las manos o los pies cerca del sistema de corte.
- Extraiga la batería antes de cambiar el carrete.
- Nunca coloque elementos metálicos cortantes en esta desbrozadora.
- Efectúe periódicamente controles y el mantenimiento de la desbrozadora.
- Haga reparar la desbrozadora solo por un agente de servicio al cliente autorizado.
- Compruebe siempre que las ranuras de ventilación estén libres de residuos.
- Extraiga la batería:
 - *cuando deje la máquina desatendida por cualquier lapso de tiempo;*
 - *antes de cambiar el hilo;*
 - *antes de limpiar o trabajar en la desbrozadora.*
- Guarde la máquina en un lugar seguro y seco alejado del alcance de los niños. No coloque otros objetos encima de la máquina.
- No utilice la máquina sin el accesorio del hilo instalado.

ADVERTENCIAS DE SEGURIDAD PARA LA BATERÍA

- a) **No abra la batería.** Existe peligro de cortocircuito.
- b) **Proteja la batería del calor, p. ej., de la luz solar intensa continua, los incendios, el agua y la humedad.** Peligro de explosión.
- c) **En caso de daño y uso incorrecto de la batería, esta puede emitir vapores. Ventile el área y consulte un médico si se siente mal.** Los vapores pueden irritar el sistema respiratorio.
- d) **Utilice la batería solo junto con su producto Vonroc.** Esta medida protege la batería de sobrecargas peligrosas.
- e) **La batería se puede dañar con objetos puntiagudos como clavos o destornilladores o si se somete a alguna fuerza exterior.** Puede producirse un cortocircuito interno que dé lugar a que la batería se incendie, emita humo, explote o se sobrecaliente.

ADVERTENCIAS DE SEGURIDAD PARA EL CARGADOR

Uso previsto

Cargue solo las baterías recargables CD801AA y CD803AA con el cargador. Otros tipos de baterías pueden estallar y causar lesiones y daños.

- El aparato no debe ser usado por personas (incluidos niños) con capacidad física, sensorial o mental reducida, o que no tengan experiencia o conocimiento suficientes, salvo que hayan sido capacitadas o estén bajo supervisión.**
- Controle que los niños no jueguen con el aparato.**
- No recargue baterías no recargables.**
- Durante la carga, las baterías deben colocarse en un lugar bien ventilado.**

2. INFORMACIÓN SOBRE LA MÁQUINA

Uso previsto

La desbrozadora ha sido desarrollada para cortar césped y malezas, tanto debajo de arbustos como en pendientes. La desbrozadora es ideal para cortar bordes a los que no se puede acceder con el cortacésped. El funcionamiento está previsto dentro de los 0 °C y 45 °C de temperatura ambiente. No use la máquina bajo la lluvia.

ESPECIFICACIONES TÉCNICAS



Este manual ha sido redactado para diferentes números de juegos / artículos. Compruebe el número de artículo correspondiente en la siguiente tabla de especificaciones para conseguir la composición y el contenido correctos de su juego.

Modelo n.º	Baterías incluidas	Cargador incluido
GT501DC	-	-
S_GT501DC	CD801AA	CD802AA
S2_GT501DC	2 x CD801AA	CD802AA
S3_GT501DC	CD803AA	CD802AA

Información de la máquina	
Tensión	20V
Pértiga telescópica	420-700 mm
Ajuste de ángulo de la pértiga	0° - 90°
Cabezal ajustable	0° - 90°
Velocidad en vacío	8.000/min
Diámetro de corte	250 mm
Sistema de corte	Carrete de 2 líneas de hilo, Ø Tap and go 1.2 mm x 8m
Peso (sin las pilas)	2,1 kg
Nivel de presión sonora LPA	71,2 dB(A) K=3 dB(A)
Nivel de presión sonora LWA	88,2 dB(A) K=3 dB(A)
Valor de vibración	6,918 m/s ² K=1,5 m/s ²

Modelo n.º	CD801AA
Tipo de batería	lones de litio
Voltaje	20V
Capacidad	2,0 Ah
Cargador recomendado	CD802AA
Peso	0,3 kg

Modelo n.º	CD802AA
Entrada del cargador	220-240V, 50Hz 0,4A
Salida del cargador	21V 2,5A
Tiempo de carga de la batería de 2 Ah	60 minutos
Tiempo de carga de la batería de 4 Ah	120 minutos
Baterías recomendadas	CD801AA, CD803AA
Peso	0,36 kg

Modelo n.º	CD803AA
Tipo de batería	Lones de litio
Voltaje	20V
Capacidad	4,0 Ah
Cargador recomendado	CD802AA
Peso	0,65 kg

Valor garantizado según la directiva de ruido:
LwA 96db (A)

Use solo las siguientes baterías de la plataforma de baterías VONROC VPOWER 20V. El uso de cualquier otra batería puede causar lesiones graves o dañar la herramienta.

CD801AA 20V, 2 Ah de iones de litio
 CD803AA 20V, 4 Ah de iones de litio

Para cargar estas baterías se puede utilizar el siguiente cargador de batería.

CD802AA Cargador rápido

Las baterías de la plataforma de baterías VONROC VPOWER 20V son intercambiables con todas las herramientas de la plataforma de baterías VONROC VPOWER 20V.

Nivel de vibración

El nivel de emisión de vibraciones indicado en este manual de instrucciones ha sido medido según una prueba estándar proporcionada en EN 50636-2-91 puede utilizarse para comparar una herramienta con otra y como valoración preliminar de la exposición a las vibraciones al utilizar la herramienta con las aplicaciones mencionadas.

- al utilizarla para distintas aplicaciones o con accesorios diferentes o con un mantenimiento deficiente, podría aumentar de forma notable el nivel de exposición.
- en las ocasiones en que se apaga la herramienta o cuando está funcionando pero no está realizando ningún trabajo, se podría reducir el nivel de exposición de forma importante.

Protéjase contra los efectos de la vibración realizando el mantenimiento de la herramienta y sus accesorios, manteniendo sus manos calientes y organizando sus patrones de trabajo.

DESCRIPCIÓN

Los números del texto se refieren a los diagramas de las páginas 2-5.

1. Batería
2. Botón de desbloqueo de la batería
3. Indicación de carga de la batería
4. Cargador
5. Indicadores de LED del cargador
6. Interruptor de encendido/apagado
7. Interruptor de seguridad
8. Empuñadura delantera
9. Pomo de la empuñadura delantera

10. Protector de seguridad
11. Tornillo
12. Parachoques
13. Rueda lateral
14. Portarrueda lateral
15. Tapa del carrete
16. Carrete de hilo
17. Muelle del carrete
18. Alojamiento del carrete
19. Punta del carrete
20. Pomo de ajuste del cabezal de corte
21. Anillo de ajuste del cabezal de corte
22. Anillo de ajuste inferior
23. Eje superior
24. Eje inferior
25. Boton de indicadores LED de bateria

3. MONTAJE



Antes de realizar cualquier trabajo en la herramienta eléctrica, extraiga la batería.



¡Advertencia! No use la desbrozadora sin el protector.



Hay que cargar la máquina antes de usarla por primera vez.

Insertar la batería en la máquina (Fig. C1)



Compruebe que la parte exterior de la batería este limpia y seca antes de colocarla en el cargador o en la máquina.

1. Inserte la batería (1) en la base de la máquina como se muestra en la Fig. C1.
2. Pulse la batería mas hacia delante hasta que haga clic en su sitio.

Extraer la batería de la máquina (Fig. C1)

1. Apriete los botones de desbloqueo de la batería (2).
2. Saque batería de la máquina como se muestra en la Fig. C1.

Comprobacion del estado de carga de la batería (Fig. C2)

- Para comprobar el estado de carga de la batería, apriete brevemente el boton (25) de la batería.
- La batería tiene 3 luces que indican el nivel de carga, cuantas mas luces esten encendidas, mas batería queda.

- Cuando las luces estan apagadas significa que la bateria esta vacia y debe cargarse inmediatamente.

Carga de la bateria con el cargador (Fig. C2)

1. Extraiga la bateria (1) de la maquina.
2. De vuelta la bateria (1) y deslicela en el cargador (4) como se muestra en la Fig C2.
3. Empuje la bateria hasta que quede totalmente colocada en la ranura.
4. Enchufe el enchufe del cargador en una toma de corriente electrica y espere un poco. Los indicadores de LED del cargador (5) se encenderan y mostraran el estado del cargador.

El cargador tiene 2 indicadores de LED (5) que indican el estado del proceso de carga:

LED de estado rojo	LED de estado verde	Estado de la carga
Desactivado	Desactivado	Sin alimentaci3n
Desactivado	Activado	Modo espera: - No hay ninguna bateria insertada o, - Se ha insertado la bateria pero el proceso de carga ha finalizado
Activado	Desactivado	Carga de la bateria en curso

- La carga completa de la bateria de 2 Ah puede llevar hasta 60 minutos.
- La carga completa de la bateria de 4 Ah puede llevar hasta 120 minutos.

Despues de que la bateria este totalmente cargada, desenchufe el enchufe del cargador de la toma de corriente y extraiga la bateria del cargador.



Cuando la no vaya a utilizarse la maquina durante un periodo de tiempo prolongado, es conveniente guardar la bateria cargada.

Montaje del protector (Fig. B1)

- Coloque el protector (10) en el alojamiento del cabezal de la desbrozadora.
- Fije el protector con el tornillo (11) suministrado.

Montaje del parachoques (Fig. B2)

- Apriete los extremos del parachoques (12) y deslicelos en los agujeros del alojamiento del cabezal de la desbrozadora.
- El parachoques se puede colocar a diferentes distancias de protecci3n. Para ajustar el parachoques, solo tiene que presionar o tirar del riel.

Montaje de la empuñadura delantera (Fig. D1)

- Coloque la empuñadura (8) en el soporte montado en el eje superior.
- Coloque el perno en el agujero hexagonal y monte el pomo (9) en el perno.

Ajuste de la empuñadura delantera (Fig. D2)

- Desenrosque el pomo (9) ligeramente y presione o tire de la empuñadura delantera (8) hasta la posici3n deseada. Puede ser hacia abajo o hacia arriba y giratorio alrededor del eje superior.



Cuando use la maquina de lado, use siempre la rueda lateral.

Montaje de la rueda lateral (Fig. E)

- Deslice la rueda lateral (13) en el portarueda (14).

Montaje del carrete (Fig. F1)



Antes de reemplazar el carrete, limpie la maquina de toda suciedad.

- Coloque el resorte (17) en el alojamiento del carrete (18). Asegúrese de colocar el lado más ancho del resorte en el cabezal de la desbrozadora.
- Coloque el carrete (16) sobre el resorte (17). Compruebe que los hilos pasen por los agujeros interiores del alojamiento (18). (Fig. F2)
- Cubra el carrete con la tapa del carrete (15) y apriételo girando la tapa.

Cambio de carrete (Fig. F1)

- Extraiga la tapa del carrete (15).
- Saque el carrete (16) dejando el resorte (17) dentro.
- Tome el nuevo carrete (GT801AA) y colóquelo sobre el resorte (17). Compruebe que los hilos pasen por los agujeros interiores del alojamiento (18). (Fig. F2)
- Cubra el carrete con la tapa del carrete (15) y apriételo girando la tapa.

4. FUNCIONAMIENTO

Usar el sistema "tap and go" (Fig. G)

- Si el cable es demasiado corto, encienda la máquina y presione la punta del carrito (19) en el suelo (asegúrese de hacerlo en una superficie dura).
- Esto liberará el hilo para alargarlo.
- El cable será cortado a la longitud correcta automáticamente por la cuchilla montada en el protector. (10).

Inclinar el cabezal de la desbrozadora (Fig. H)



Mantenga desconectada la corriente y desconecte la batería.

- Pulse el pomo (20) del cabezal de la desbrozadora para inclinar el cabezal en la posición deseada.
- Al soltar el pomo, el cabezal hará clic y se bloqueará en la posición elegida.

Girar el cabezal de la desbrozadora (Fig. I)

- Pulse el anillo (21) hacia abajo del cabezal de la desbrozadora para girar el cabezal hacia la posición deseada.
- Al soltar el anillo, el cabezal hará clic y se bloqueará en la posición elegida.

Ajustar la altura de la pértiga (Fig. J)

- Para ajustar la altura de la máquina, afloje el anillo de ajuste inferior (22).
- Empuje con cuidado el eje inferior (24) desde el eje superior (23) hacia abajo o hacia arriba.
- Apriete el anillo de ajuste inferior (22) para fijar la altura de la máquina.

Usar el la desbrozadora



Antes de usar la desbrozadora, compruebe siempre visualmente que la máquina y sus piezas estén montadas correctamente y que no estén desgastadas ni dañadas.

- Por su propia seguridad y para conseguir mejores resultados, lea los siguientes consejos al usuario y no use este producto para ninguna otra cosa que no sea para lo que ha sido diseñado.
- Esta desbrozadora ha sido fabricada para cortar césped. Cualquier otro uso que no esté específicamente indicado en este manual podría causar daños a la desbrozadora y lesiones al usuario.

Características de seguridad

- El protector tiene una cuchilla para cortar el hilo a la longitud correcta. No toque la cuchilla para evitar la posibilidad de lesiones.
- El interruptor de encendido y apagado (6) y el de seguridad (7) deben accionarse juntos para arrancar el motor. Si se libera la presión en uno de los dos interruptores, la herramienta ha sido diseñada para detenerse rápidamente.

Encendido y apagado

- Para encender la desbrozadora, pulse al mismo tiempo el botón de seguridad (7) y el de arranque (6).
- Para apagarla, suelte uno o los dos botones.

5. MANTENIMIENTO



Antes de realizar la limpieza y el mantenimiento, apague siempre la máquina y extraiga el paquete de baterías de la máquina.

Limpie regularmente la carcasa de la máquina con un paño suave, preferentemente después de cada uso. Compruebe que los orificios de ventilación estén libres de polvo y suciedad. Elimine el polvo persistente utilizando un paño suave humedecido con agua y jabón. No use disolventes tales como gasolina, alcohol, amoníaco, etc. Tales productos químicos pueden dañar los componentes sintéticos.

MEDIOAMBIENTE



Los aparatos eléctricos o electrónicos defectuosos y/o desechados deben recogerse en lugares de reciclado apropiado.

Solo para países de la Comunidad Europea

No elimine las herramientas eléctricas como residuos domésticos. De acuerdo con la Directiva europea 2012/19/CE sobre residuos de aparatos eléctricos y electrónicos, y su transposición a las legislaciones nacionales, las herramientas eléctricas que ya no se utilizan deben recogerse por separado y eliminarse en modo ecológico.

CONDICIONES DE GARANTÍA

Los productos VONROC han sido desarrollados con los más altos estándares de calidad y VONROC garantiza que están exentos de defectos relacionados con los materiales y la fabricación durante el periodo legalmente estipulado, a contar desde la fecha de compra original. En caso de que el producto presente defectos relacionados con los materiales y/o la fabricación durante este periodo, póngase directamente en contacto VONROC.

La presente garantía se excluye en los siguientes casos:

- Si centros de servicios no autorizados han realizado o han intentado realizar reparaciones y/o alteraciones a la máquina.
- Si se ha producido un desgaste normal.
- Si la herramienta ha sido mal tratada o usada en modo impropio, o se ha realizado incorrectamente su mantenimiento.
- Si se han utilizado piezas de repuesto no originales.

La presente constituye la única garantía implícita y explícita que ofrece la compañía. No existen otras garantías explícitas o implícitas que excedan las citadas aquí, incluidas las garantías implícitas de comerciabilidad e idoneidad para una finalidad en especial. VONROC no será considerada responsable en ningún caso por daños incidentales o consecuentes. Los recursos a disposición de los distribuidores se limitan a la reparación o a la sustitución de las unidades o piezas no conformes.

El producto y el manual de usuario están sujetos a variaciones. Las especificaciones pueden variarse sin previo aviso.

1. ISTRUZIONI DI SICUREZZA

Leggere accuratamente gli avvisi di sicurezza, gli avvisi di sicurezza aggiuntivi e le istruzioni. La mancata osservanza degli avvisi di sicurezza e delle istruzioni potrebbe causare scosse elettriche, incendio e/o gravi lesioni. Mantenere gli avvisi di sicurezza e le istruzioni a portata di mano per future consultazioni.

I seguenti simboli sono utilizzati nel presente manuale utente o sul prodotto:



Leggere il manuale per l'utente.



Denota il rischio di lesioni personali, morte o danni all'utensile in caso di mancata osservanza delle istruzioni contenute nel presente manuale.



Rischio di scosse elettriche.



Indossare protezioni per l'udito.



Indossare sempre occhiali protettivi!



Indossare una mascherina antipolvere.



Indossare guanti di protezione.



Indossare stivali antinfortunistici.



Non esporre alla pioggia.



Apparecchio di Classe II - Doppio isolamento - Non è necessario il collegamento a terra.



Fusibile miniaturizzato a tempo ritardato.



Temperatura massima 45°C.



Non gettare la batteria nel fuoco.



Non gettare la batteria nell'acqua.



Raccolta differenziata per la batteria agli ioni di litio.



Non smaltire il prodotto in contenitori non idonei.

CE Il prodotto è conforme alle norme di sicurezza applicabili ai sensi delle direttive europee vigenti.



Prima di eseguire qualsiasi operazione di pulizia e intervento di manutenzione sull'elettrotensile, spegnerlo sempre e rimuovere la batteria dallo stesso.



Livello di potenza sonora garantito LWA = 96 dB(A)

REGOLE GENERALI DI SICUREZZA



ATTENZIONE! Leggere tutte le avvertenze di sicurezza e tutte le istruzioni. Se non si seguono tutte le istruzioni sotto elencate, si può incorrere in uno shock elettrico, in un incendio e/o in lesioni serie.

Conservare queste istruzioni.

Il termine "arnese elettrico" in tutti gli avvertimenti sotto elencati si riferisce al vostro arnese elettrico che funziona a corrente (con filo) o ad un arnese che funziona a pile (senza filo).

1) Area di lavoro

- Mantenere l'area di lavoro pulita e ben illuminata.** Aree buie e disordinate favoriscono gli incidenti.
- Non usare arnesi elettrici in atmosfere esplosive, come vicino ai liquidi infiammabili, gas o polveri.** Gli arnesi elettrici creano scintille che possono incendiare la polvere dei vapori.
- Tenere lontani bambini e altre persone mentre si accende l'arnese elettrico.** Le distrazioni possono farvi perdere il controllo.

2) Sicurezza elettrica

- Le spine dell'arnese elettrico devono andare bene per la presa di corrente. Non modificare mai la spina in alcun modo. Non usare alcun adattatore con arnesi elettrici a terra (messo a terra).** Spine non modificate che vanno bene per le prese di corrente ridurranno il rischio di shock elettrico.
- Evitare il contatto corporeo con superfici a terra come tubature, radiatori, fornelli e refrigeratori.** C'è un rischio maggiore di shock elettrico se il vostro corpo è a terra.
- Non esporre arnesi elettrici alla pioggia o a condizioni di umidità.** Se dell'acqua penetra nell'arnese elettrico aumenterà il rischio di shock elettrico.

- Non abusare del filo. Non usare mai il filo per trasportare, spingere o staccare dalla presa l'arnese elettrico. Tenere il filo lontano da calore, olio, bordi taglienti o parti mobili.** Fili danneggiati o aggrovigliati aumentano il rischio di shock elettrico.
- Quando si accende un arnese elettrico all'aperto, usare una prolunga adatta a tale uso.** Usare un filo adatto all'uso all'aperto ridurrà il rischio di shock elettrico.
- Se non è possibile evitare l'uso di un elettrotensile in ambiente umido, usare una rete di alimentazione protetta da un interruttore differenziale (salvavita).** L'uso di un salvavita riduce il rischio di scosse elettriche.

3) Sicurezza personale

- Stare vigili e attento quando si accende un arnese elettrico. Non usare un arnese elettrico mentre si è stanco o sotto l'effetto di droghe, alcool o medicinali.** Un momento di disattenzione mentre si accendono arnesi elettrici può causare delle gravi lesioni personali.
- Usare dispositivi di protezione individuale. Indossare sempre una protezione per gli occhi.** Dispositivi di sicurezza come mascherina per la polvere, scarpe di sicurezza antiscivolo, casco, o protezioni per le orecchie usate nelle appropriate condizioni, ridurranno le lesioni personali.
- Prevenire l'avvio accidentale. Assicurarsi che l'interruttore sia spento prima di collegarsi.** Trasportare elettrotensili tenendo il dito sull'interruttore di accensione o dare corrente ad elettrotensili con l'interruttore acceso può dare luogo a incidenti.
- Rimuovere ogni chiave regolatrice o chiave per dadi prima di accendere l'arnese elettrico.** Una chiave per dadi o una chiave lasciata attaccata ad una parte rotante dell'arnese elettrico può provocare lesioni personali.
- Cercare di mantenere l'equilibrio. Mantenere sempre un punto d'appoggio appropriato.** Questo consente un controllo migliore dell'arnese elettrico in situazioni inaspettate.
- Vestirsi adeguatamente. Non indossare vestiti larghi o gioielli. Tenere lontano capelli, vestiti e guanti dalle parti mobili.** Vestiti larghi, gioielli o capelli lunghi possono essere presi nelle parti mobili.
- Se vengono forniti dispositivi per la connessione dell'estrazione della polvere e attrezzature di**

raccolta, assicurarsi che questi siano collegati e usati correttamente. L'uso di questi dispositivi può ridurre i rischi correlati alla polvere.

- h) **Non lasciare che la confidenza acquisita dall'uso frequente induca l'utilizzatore ad assumere comportamenti imprudenti e a ignorare i principi di sicurezza per l'utensile.** Una semplice distrazione può provocare gravi lesioni personali in una frazione di secondo.
- 4) Uso e manutenzione dell'arnese elettrico**
- a) **Non forzare l'arnese elettrico. Usare l'arnese elettrico corretto per il vostro impiego.** L'arnese elettrico corretto farà il lavoro meglio e in maniera più sicura alla velocità per la quale è stato progettato.
- b) **Non usare l'arnese elettrico se l'interruttore non si accende o non si spegne.** Ogni arnese elettrico che non può essere controllato con l'interruttore è pericoloso e deve essere riparato.
- c) **Scollegare la spina dalla sorgente di elettricità prima di fare qualsiasi regolazione, cambiare gli accessori, o conservare arnesi elettrici.** Tali misure di sicurezza preventive riducono il rischio di accendere l'arnese elettrico accidentalmente.
- d) **Conservare gli arnesi elettrici inattivi fuori dalla portata dei bambini e non permettere a persone che non hanno confidenza con l'arnese elettrico o con queste istruzioni di usare l'arnese elettrico.** Gli arnesi elettrici sono pericolosi per utenti inesperti.
- e) **Mantenere gli arnesi elettrici. Controllare il non allineamento o l'attacco di parti mobili, la rottura di parti ed ogni altra condizione che può influire sul funzionamento degli arnesi elettrici. Se è danneggiato, far riparare l'arnese elettrico prima dell'uso.** Molti incidenti sono causati da arnesi elettrici mantenuti male.
- f) **Mantenere gli arnesi da taglio affilati e puliti.** È meno probabile che si attacchino degli arnesi da taglio mantenuti correttamente con tagli affilati e questi sono anche più facili da controllare.
- g) **Usare l'arnese elettrico, gli accessori e le parti dell'arnese ecc, secondo queste istruzioni e nel modo pensato per il particolare tipo di arnese elettrico, tenendo conto delle condizioni di lavoro e del lavoro da svolgere.** L'uso dell'arnese elettrico per operazioni diverse da quelle pensate potrebbe causare situazioni pericolose.
- h) **Mantenere le impugnature e le superfici di presa asciutte, pulite e libere da olio e grasso.** Impugnature e superfici di presa scivolose non consentono di maneggiare e controllare in sicurezza l'utensile in situazioni impreviste.
- 5) Uso e manutenzione dell'utensile a batteria**
- a) **Ricaricare l'apparecchio esclusivamente con il caricabatterie specificato dal fabbricante.** Se si utilizza un caricabatterie di diverso tipo potrebbero verificarsi incendi.
- b) **Utilizzare gli utensili elettrici solo con i pacchi batterie appositamente prescritti.** L'uso di pacchi batterie di diverso tipo aumenta il rischio di infortunio o incendio.
- c) **Quando il pacco batterie non è in uso, tenerlo lontano da oggetti metallici quali fermagli, monete, chiavi, chiodi, viti o altri piccoli oggetti metallici che potrebbero mettere in collegamento i due poli.** Se i poli vengono messi in corto circuito, la batteria potrebbe emettere scintille o fiammate.
- d) **In condizioni di uso scorretto, la batteria potrebbe emettere liquido: evitare pertanto di entrarvi in contatto. In caso di contatto accidentale, risciacquare con acqua. Se il liquido entra a contatto con gli occhi, consultare immediatamente un medico.** Il liquido emesso dalla batteria può causare irritazioni o ustioni.
- e) **Non utilizzare un pacco batterie o l'utensile se danneggiati o manomessi.** Pacchi batterie danneggiati o manomessi potrebbero avere comportamenti imprevedibili con il rischio di incendiarsi, esplodere o provocare lesioni a persone.
- f) **Non esporre un pacco batterie o l'utensile alle fiamme o a temperature eccessivamente elevate.** L'esposizione alle fiamme o a temperature superiori a 130 °C potrebbe provocare un'esplosione. NOTA: la temperatura di "130 °C" corrisponde a "265 °F".
- g) **Seguire tutte le istruzioni per la ricarica e non caricare il pacco batterie o l'utensile a temperature che non rientrino nell'intervallo specificato nelle istruzioni.** Se si effettua la ricarica in modo improprio o a temperature non comprese nell'intervallo specificato, il pacco batterie potrebbe subire danni e potrebbe aumentare il rischio di incendi.
- 6) Riparazione**
- a) **L'assistenza per l'elettroscopio deve essere prestata da un tecnico qualificato che utilizzi soltanto ricambi originali.** In questo modo viene garantita la sicurezza dell'elettroscopio.
- b) **Non tentare di riparare pacchi batterie danneggiati.** La riparazione dei pacchi batteria deve

essere effettuata esclusivamente dal produttore o presso centri di assistenza autorizzati.

ISTRUZIONI DI SICUREZZA AGGIUNTIVE PER I DECESPUGLIATORI SENZA CAVO

- Non consentire mai l'uso del decespugliatore a bambini o persone inesperte o che non abbiano letto queste istruzioni. Le normative vigenti a livello locale possono imporre un limite di età per l'utilizzatore. Quando il decespugliatore non viene usato, custodirlo fuori dalla portata dei bambini.
- Non utilizzare mai il decespugliatore con protezioni o schermi danneggiati o smontati.
- Prima di usare il decespugliatore e dopo un eventuale urto, controllare che non presenti segni di usura o danni e, se necessario, provvedere alla riparazione.
- Non mettere mai in funzione il prodotto se si è stanchi, ammalati o sotto l'effetto di alcool, stupefacenti o farmaci.
- Indossare sempre pantaloni lunghi, stivali e guanti. Non indossare indumenti larghi, gioielli, pantaloncini o sandali e non lavorare mai a piedi nudi.
- Indossare dispositivi di protezione acustiche e per gli occhi ogni volta che si utilizza il decespugliatore.
- Mantenere sempre un equilibrio saldo. Non sporgersi troppo.
- Non utilizzare mai il decespugliatore in presenza di persone (in particolare bambini) o animali domestici nelle vicinanze.
- Attendere l'arresto completo del filo nella bobina prima di toccarlo. Dopo lo spegnimento del decespugliatore, il filo nella bobina continua a girare, con la possibilità di provocare lesioni alle persone.
- Usare il decespugliatore solo alla luce del giorno o in condizioni di buona illuminazione artificiale.
- Evitare di utilizzare il decespugliatore in caso di maltempo, soprattutto quando vi è il rischio di fulmini.
- L'impiego del decespugliatore per tagliare erba bagnata comporta una riduzione della sua efficienza prestazionale.
- Spegnerne il decespugliatore durante il trasporto da e verso l'area di lavoro.
- Accendere il motore solo se mani e piedi sono lontani dagli elementi di taglio.
- Non mettere mani o piedi vicino al sistema di taglio.

- Rimuovere la batteria prima di cambiare la bobina di filo.
- Non montare mai elementi di taglio di metallo su questo decespugliatore.
- Ispezionare e sottoporre il decespugliatore a manutenzione periodicamente.
- Fare riparare il decespugliatore solo da un tecnico dell'assistenza autorizzato.
- Verificare sempre che le feritoie di ventilazione siano mantenute pulite e libere da detriti.
- Rimuovere la batteria nei casi seguenti:
 - *ogni volta che si lascia incustodito il decespugliatore, anche se per breve tempo;*
 - *prima di sostituire il filo di taglio;*
 - *prima di pulire il decespugliatore o di compiere interventi sullo stesso.*
- Conservare il decespugliatore in un luogo asciutto, lontano dalla portata dei bambini. Non appoggiarvi sopra altri oggetti.
- Non azionare il decespugliatore con l'accessorio con il filo di taglio smontato.

AVVERTENZE DI SICUREZZA PER LA BATTERIA

- a) **Non aprire la batteria.** Pericolo di cortocircuito.
- b) **Proteggere la batteria dal calore, ad esempio dalla luce solare intensa, dal fuoco, dall'acqua e dall'umidità.** Pericolo di esplosione.
- c) **In caso di danni e uso improprio della batteria, potrebbero essere emessi dei vapori. Ventilare l'area e rivolgersi a un medico in caso di malessere.** I vapori possono irritare il sistema respiratorio.
- d) **Utilizzare la batteria solo in combinazione con il prodotto Vonroc.** Questo accorgimento protegge la batteria da un sovraccarico pericoloso.
- e) **La batteria può essere danneggiata da oggetti appuntiti come chiodi o cacciaviti o da una forza applicata esternamente.** Si può verificare un cortocircuito interno e la batteria potrebbe bruciare, fumare, esplodere o surriscaldarsi.

AVVERTENZE DI SICUREZZA PER IL CARICABATTERIE

Uso previsto

Caricare solo pacchi batteria ricaricabili di tipo CD801AA e CD803AA con il caricabatterie. Batterie di tipi diversi potrebbero esplodere provocando lesioni personali e danni.

- a) **L'apparecchio non deve essere usato da persone con capacità fisiche, sensoriali o mentali ridotte (bambini inclusi) o che non hanno alcu-**

na esperienza o conoscenza dell'apparecchio, a meno che non siano sorvegliate o siano state istruite sull'uso del prodotto.

- b) Accertarsi che i bambini non giochino con il caricabatterie.
- c) Non ricaricare batterie non ricaricabili!
- d) Durante la carica le batterie devono rimanere inserite nell'area adeguatamente ventilata!

2. INFORMAZIONI RELATIVE ALL'ELETTROUTENSILE

Usò previsto

Questo decespugliatore è stato sviluppato per il taglio di erba ed erbacce sotto i cespugli e sui pendii. Esso è ideale per tagliare i bordi non raggiungibili con un rasaerba. Il decespugliatore è concepito per l'impiego in ambienti con temperature comprese tra 0 °C e 45 °C. Non utilizzare il prodotto sotto la pioggia.

DATI TECNICI



Il presente manuale è stato predisposto per diversi assortimenti / codici articolo.

Verificare il codice articolo corrispondente nella tabella di specificazione sottostante per la composizione e i contenuti corretti per il proprio assortimento.

Numero modello	Batterie incluse	Caricabatterie incluso
GT501DC	-	-
S_GT501DC	CD801AA	CD802AA
S2_GT501DC	2 x CD801AA	CD802AA
S3_GT501DC	CD803AA	CD802AA

Informazioni sul prodotto	
Tensione	20V
Asta telescopica	420-700 mm
Inclinazione dell'asta regolabile	0° - 90°
Testa di taglio regolabile	0° - 90°
Velocità a vuoto	8.000 giri/min
Diametro del tagliafilo	250 mm
Sistema di taglio	"Tap and go", bobina a 2 fili Ø1,2 mm x 8m
Peso (senza batteria)	2,1 kg

Livello di pressione sonora LPA	71,2 dB(A) K=3 dB(A)
Livello di potenza sonora LWA	88,2 dB(A) K=3 dB(A)
Vibrazione	6,918 m/s ² K=1,5 m/s ²

Modello n.º	CD801AA
Tipo di batteria	Ioni di litio
Tensione	20V
Capacità	2,0 Ah
Caricabatterie consigliato	CD802AA
Peso	0,3 kg

Modello n.º	CD802AA
Ingresso del caricabatterie	220-240V, 50Hz 0,4A
Uscita del caricabatterie	21V
Tempo di ricarica batteria 2Ah	60 minuti
Tempo di ricarica batteria 4Ah	120 minuti
Batterie consigliate	CD801AA, CD803AA
Peso	0,36 kg

Modello n.º	CD803AA
Tipo di batteria	Ioni di litio
Tensione	20V
Capacità	4,0,Ah
Caricabatterie consigliato	CD802AA
Peso	0,65 kg

Valore garantito secondo la direttiva sul rumore: LwA 96db (A)

Utilizzare esclusivamente le batterie seguenti della piattaforma di batterie da 20V VONROC VPOWER. L'uso di batterie diverse potrebbe causare gravi lesioni personali o danni all'elettrotensile. Batteria agli ioni di litio da 20V, 2Ah, CD801AA Batteria agli ioni di litio da 20V 4Ah, CD803AA

Il caricabatterie seguente può essere usato per caricare queste batterie.
Caricabatterie rapido CD802AA

Le batterie della piattaforma di batterie da 20V VONROC VPOWER sono intercambiabili con tutti gli elettrotensili con batterie della piattaforma da 20V VONROC VPOWER.

Livello delle vibrazioni

Il livello di emissione delle vibrazioni indicato sul retro di questo manuale di istruzioni è stato misurato in conformità a un test standardizzato stabilito dalla norma EN 50636-2-91 questo valore può essere utilizzato per mettere a confronto un l'utensile con un altro o come valutazione preliminare di esposizione alla vibrazione quando si impiega l'utensile per le applicazioni menzionate.

- se si utilizza l'utensile per applicazioni diverse, oppure con accessori differenti o in scarse condizioni, il livello di esposizione potrebbe aumentare notevolmente.
- i momenti in cui l'utensile è spento oppure è in funzione ma non viene effettivamente utilizzato per il lavoro, possono contribuire a ridurre il livello di esposizione.

Proteggersi dagli effetti della vibrazione effettuando la manutenzione dell'utensile e dei relativi accessori, mantenendo le mani calde e organizzando i metodi di lavoro.

DESCRIZIONE

I numeri che compaiono nel testo si riferiscono agli schemi riportati alle pagine 2-5.

1. Batteria
2. Pulsante di sblocco batteria
3. Indicatore di carica batteria
4. Caricabatterie
5. Indicatori a LED caricabatterie
6. Interruttore di accensione/spostamento
7. Interruttore di sicurezza
8. Impugnatura anteriore
9. Pomello di bloccaggio impugnatura anteriore
10. Protezione
11. Vite
12. Ferro di protezione
13. Rotella laterale
14. Supporto rotella laterale
15. Copribobina
16. Bobina
17. Molla della bobina
18. Alloggiamento bobina
19. Punta della bobina
20. Testa di taglio con pomello di regolazione
21. Testa di taglio con anello di regolazione
22. Anello di regolazione inferiore
23. Parte superiore dell'albero
24. Parte inferiore dell'albero
25. Pulsante per spie a LED batteria

3. ASSEMBLAGGIO



Prima di compiere qualsiasi intervento sull'elettroutensile, rimuovere la batteria.



Avvertenza! Non utilizzare il decespugliatore senza la protezione montata.



Prima del primo utilizzo, caricare l'elettroutensile.

Inserimento della batteria nell'elettroutensile (Fig. C1)



Assicurarsi che la batteria sia pulita esternamente prima di collegarla al caricabatterie o all'elettroutensile.

1. Inserire la batteria (1) nella base dell'elettroutensile, come illustrato nella Figura C1.
2. Spingere in avanti la batteria finché scatta in posizione con un clic.

Rimozione della batteria dall'elettroutensile (Fig. C1)

1. Premere i pulsanti di sblocco della batteria (2).
2. Estrarre la batteria dall'elettroutensile, come illustrato nella Fig. C1.

Verifica dello stato di carica della batteria (Fig. C2)

- Per verificare lo stato di carica della batteria, premere brevemente il pulsante (25) sulla batteria.
- La batteria presenta 3 spie che indicano il livello di carica: più spie sono accese più la batteria è carica.
- Se le spie non sono illuminate di rosso, significa che la batteria è completamente scarica e deve essere ricaricata immediatamente.

Carica della batteria con il caricabatterie (Fig. C2)

1. Rimuovere la batteria (1) dalla macchina.
2. Capovolgere la batteria (1) e inserirla nel caricabatterie (4), come illustrato nella Fig. C2.
3. Spingere la batteria finché si incastra nell'apposito alloggiamento.
4. Collegare la spina del caricabatterie a una presa elettrica e attendere un momento. Gli indicatori a LED sul caricabatterie (5) si illuminano e mostrano lo stato di carica della batteria.

Sul caricabatterie sono presenti 2 indicatori a LED (5) che mostrano lo stato del processo di carica:

Stato LED rosso	Stato LED verde	Stato del carica-batterie
Spento	Spento	Nessuna alimentazione
Spento	Acceso stabile	Modalità standby: - Nessuna batteria inserita oppure, - Batteria inserita ma la ricarica è terminata
Acceso stabile	Spento	Carica della batteria in corso

- Per caricare completamente la batteria da 2Ah possono essere necessari fino a 60 minuti.
- Per caricare completamente la batteria da 4Ah possono essere necessari fino a 120 minuti.

Una volta caricata la batteria, rimuovere la spina del caricabatterie dalla presa di corrente e rimuovere la batteria dal caricabatterie.



Se si prevede che la macchina non verrà usata per molto tempo si consiglia di conservare le batterie cariche.

Montaggio della protezione (Fig. B1)

- Montare la protezione (10) sull'alloggiamento della testa di taglio.
- Fissare la protezione con la vite (11) in dotazione.

Montaggio del ferro di protezione (Fig. B2)

- Premere le estremità del ferro di protezione (12) una verso l'altra e infilarle nei fori dell'alloggiamento della testa di taglio.
- Il ferro di protezione può essere posizionato a distanze diverse. Per regolare la posizione del ferro di protezione è sufficiente premerlo e tirarlo.

Montaggio dell'impugnatura anteriore (Fig. D1)

- Posizionare l'impugnatura (8) sul supporto fissato sulla parte superiore dell'albero.
- Infilarlo il bullone nel foro esagonale e fissare il pomello di bloccaggio (9) sul bullone.

Regolazione dell'impugnatura anteriore (Fig. D2)

- Svitare leggermente il pomello di bloccaggio (9) e premere o tirare l'impugnatura anteriore (8) fino a ottenere la posizione desiderata, che può essere verso l'alto o il basso e ruotata rispetto alla parte superiore dell'albero.



Quando si usa il decespugliatore di lato, servirsi sempre della rotella laterale.

Montaggio della rotella laterale (Fig. E)

- Infilarla la rotella laterale (13) sul rispettivo supporto (14).

Montaggio della bobina di filo (Fig. F1)



Prima di sostituire la bobina, pulire l'elettrotensile eliminando l'eventuale sporcizia.

- Collocare la molla (17) nell'alloggiamento della bobina (18). Assicurarsi che il lato più largo della molla sia collocato sulla testa di taglio.
- Collocare la bobina (16) sopra la molla (17). Assicurarsi che i fili passino attraverso i fori all'interno dell'alloggiamento (18). (Fig. F2)
- Coprire la bobina con il copribobina (15) e fissarla ruotando il copribobina saldamente.

Sostituzione della bobina (Fig. F1)

- Rimuovere il copribobina (15).
- Estrarre la bobina (16), ma lasciare la molla (17) all'interno.
- Prendere la nuova bobina (GT801AA) e posizionarla sopra la molla (17). Assicurarsi che i fili passino attraverso i fori all'interno dell'alloggiamento (18). (Fig. F2)
- Coprire la bobina con il copribobina (15) e fissarla ruotando il copribobina saldamente.

4. USO

Utilizzo del sistema "Tap and Go" (Fig. G)

- Se il filo di taglio è troppo corto, accendere il decespugliatore e premere la punta della bobina (19) sul terreno (assicurarsi di farlo su una superficie dura).
- In questo modo viene rilasciato il filo, facendolo allungare.
- Il filo sarà tagliato alla lunghezza corretta in automatico tramite la lama montata nella protezione (10).

Inclinazione della testa di taglio (Fig. H)

Mantenere l'elettrotensile spento e scollegare la batteria.

- Premere il pomello di regolazione (20) della testa di taglio per inclinarla nella posizione desiderata.
- Appena il pomello di regolazione viene rilasciato, la testa di taglio si blocca in posizione con uno scatto.

Rotazione della testa di taglio (Fig. I)

- Premere l'anello di regolazione (21) in basso verso la testa di taglio per inclinarla nella posizione desiderata.
- Appena l'anello di regolazione viene rilasciato, la testa di taglio si blocca in posizione con uno scatto.

Regolazione della lunghezza dell'asta (Fig. J)

- Per regolare l'altezza dell'elettrotensile, allentare l'anello di regolazione inferiore (22).
- Spingere con cautela la parte inferiore dell'albero (24) dalla parte superiore (23) verso il basso o verso l'alto.
- Stringere l'anello di regolazione inferiore (22) per bloccare l'altezza dell'elettrotensile.

Utilizzo del decespugliatore

Prima dell'uso, ispezionare sempre visivamente l'elettrotensile e i rispettivi componenti al fine di verificare che siano montati correttamente e non siano usurati o danneggiati.

- Per salvaguardare la propria sicurezza e per ottenere i migliori risultati, leggere la seguente avvertenza di utilizzo e non utilizzare questo prodotto per alcuno scopo al di fuori dell'uso prescritto.
- Questo decespugliatore è stato realizzato per tagliare l'erba. Tutti gli altri utilizzi non specificatamente consentiti in questo manuale possono causare lesioni all'utilizzatore.

Caratteristiche di sicurezza

- La protezione è dotata di un coltello per tagliare il filo metallico alla lunghezza corretta. Non toccare il coltello onde ridurre la possibilità che si verifichino lesioni per l'utilizzatore.
- L'interruttore di accensione/spengimento (6) e l'interruttore di sicurezza (7) devono

essere azionati insieme per avviare il motore. L'elettrotensile è progettato in modo tale che, rilasciando uno dei due interruttori, si arresti rapidamente.

Accensione e spegnimento

- Per mettere in funzione il decespugliatore, premere l'interruttore di sicurezza (7) e contemporaneamente l'interruttore di accensione/spengimento (6).
- Per spegnerlo, rilasciare uno o entrambi gli interruttori.

5. MANUTENZIONE

Prima di eseguire qualsiasi operazione di pulizia e intervento di manutenzione spegnere sempre l'elettrotensile e rimuovere la batteria dall'elettrotensile.

Pulire regolarmente il corpo dell'elettrotensile con un panno morbido, preferibilmente dopo ogni uso. Assicurarsi che le prese d'aria siano libere da polvere e sporizia. Rimuovere lo sporco particolarmente ostinato con un panno morbido inumidito con acqua e sapone. Non utilizzare solventi come benzina, alcol, ammoniaca, ecc. Le sostanze chimiche di questo tipo danneggiano i componenti sintetici.

RISPETTO AMBIENTALE

Le apparecchiature elettriche o elettroniche difettose e/o scartate devono essere raccolte presso gli opportuni siti di riciclaggio.

Solo per i Paesi CE

Non smaltire gli elettrotensili insieme ai rifiuti domestici. Secondo la Direttiva europea 2012/19/EC sui rifiuti delle apparecchiature elettriche ed elettroniche e relativa implementazione nelle normative locali, gli elettrotensili ormai inutilizzabili devono essere raccolti separatamente e smaltiti in modo ecologico.

DEFINIZIONI DELLA GARANZIA

I prodotti VONROC sono sviluppati secondo i più elevati standard di qualità e viene garantita l'assenza di difetti nei materiali e nella manodopera per il periodo contrattuale a partire dalla data di acquisto originale. Qualora il prodotto dovesse subire un

guasto qualsiasi durante questo periodo a causa di difetti nei materiali e/o nella manodopera, si prega di contattare direttamente il VONROC.

Le seguenti circostanze sono escluse da questa garanzia:

- Riparazioni e/o modifiche alla macchina sono state eseguite o tentate da centri di assistenza non autorizzati.
- Normale usura.
- L'utensile è stato abusato, utilizzato o manutenu- to in modo improprio.
- Sono state utilizzate parti di ricambio non originali

Ciò costituisce l'unica garanzia espressa o implicita fornita dall'azienda. Non esistono altre garanzie espresse o implicite che si estendono oltre il presente documento, ivi comprese le garanzie im- plicite di commerciabilità e idoneità per uno scopo particolare. In nessun caso VONROC sarà responsa- bile di eventuali danni incidentali o consequenziali. I rimedi dei rivenditori saranno limitati alla ripara- zione o sostituzione di unità o parti non conformi.

Il prodotto e il manuale per l'utente sono soggetti a modifiche. I dati tecnici possono essere modificati senza ulteriore notifica.

1. INSTRUKCJE BEZPIECZEŃSTWA

Przeczytać dołączone ostrzeżenia dotyczące bezpieczeństwa, dodatkowe ostrzeżenia dotyczące bezpieczeństwa oraz instrukcję. Nieprzestrzeganie ostrzeżeń dotyczących bezpieczeństwa oraz instrukcji może prowadzić do porażenia prądem, pożaru i/lub poważnych obrażeń ciała. Zachować ostrzeżenia doty- czące bezpieczeństwa oraz instrukcje na przyszłość.

Następujące symbole są umieszczone w instrukcji obsługi lub na produkcie:



Przeczytać instrukcje obsługi.



Oznacza ryzyko obrażeń ciała, śmierci lub uszkodzenia narzędzia w razie nieprzestrze- gania poleceń z instrukcji.



Ryzyko porażenia prądem.



Nosić ochronniki słuchu.



Zawsze nosić okulary ochronne!



Nosić maskę przeciwpyłową.



Nosić rękawice ochronne.



Nosić obuwie ochronne.



Nie wystawiać urządzenia na działanie deszczu.



Maszyna klasy II - Podwójna izolacja - Nie trzeba stosować wtyczek z uziemieniem.



Miniaturowy topik z opóźnieniem czasowym.



Maks. temperatura 45°C.



Nie wrzucać akumulatora do ognia.



Nie wrzucać akumulatora do wody.



Zbiórka selektywna akumulatora litowo jonowego.



Nie wyrzucać produktu do nieodpowiednich pojemników.

CE Produkt spełnia wymogi odpowiednich norm bezpieczeństwa podanych w dyrektywach UE.



Przed rozpoczęciem czyszczenia i konserwacji zawsze wyłączać narzędzie i wyjmować z niego akumulator.



Gwarantowany poziom mocy akustycznej
LWA = 96 dB(A)

OGÓLNE ZALECENIA DOTYCZĄCE BEZPIECZEŃSTWA



UWAGA! Przeczytać wszystkie ostrzeżenia dotyczące bezpieczeństwa i wszystkie instrukcje. Nieprzestrzeganie wszystkich poniższych instrukcji może być przyczyną porażenia prądem, pożaru i/lub poważnych obrażeń.

Zachowaj poniższe instrukcje.

Termin „elektronarzędzia akumulatorowe” we wszystkich ostrzeżeniach zamieszczonych poniżej odnosi się do elektronarzędzi akumulatorowych zasilanych sieciowo (przewodowych) lub elektronarzędzi akumulatorowych działających na baterie (beprzewodowych).

1) Obszar roboczy

- Obszar roboczy należy utrzymywać w czystości.** Powinien on być dobrze oświetlony. Nieład i złe oświetlenie mogą z łatwością doprowadzić do wypadku.
- Nie korzystaj z elektronarzędzi akumulatorowych w warunkach, w których łatwo może dojść do wybuchu, np. w obecności łatwopalnych cieczy, gazów lub pyłu.** Podczas pracy elektronarzędzi akumulatorowych powstają iskry, które mogą doprowadzić do zapłonu pyłu lub oparów.
- Dzieci i inne osoby postronne powinny pozostać w bezpiecznej odległości od pracującego urządzenia.** Rozproszenie uwagi może spowodować utratę kontroli nad urządzeniem.

2) Bezpieczeństwo związane z elektrycznością

- Wtyczki elektronarzędzi akumulatorowych muszą być odpowiednie do danego gniazda. Pod żadnym pozorem nie należy modyfikować wtyczki w jakikolwiek sposób. Nie należy używać adapterów, które uziemiają elektronarzędzia akumulatorowe.** Stosowanie wtyczek nie poddanych modyfikacjom oraz odpowiednich

gniazd zmniejsza ryzyko porażenia prądem.

- Należy unikać bezpośredniego kontaktu fizycznego z powierzchniami uziemionymi, takimi jak rury, grzejniki, kuchenki, lodówki.** Ryzyko porażenia prądem jest większe, jeśli ciało osoby obsługującej urządzenie jest uziemione.
- Nie należy wystawiać elektronarzędzi akumulatorowych na działanie deszczu lub wilgoci.** Dostanie się wody do wnętrza elektronarzędzia akumulatorowego zwiększy ryzyko porażenia prądem.
- Nie należy używać przewodu w niewłaściwy sposób. Pod żadnym pozorem nie należy wykorzystywać przewodu do przenoszenia lub ciągnięcia elektronarzędzia akumulatorowego, ani do jego odłączania od sieci. Przewodu nie należy wystawiać na działanie ciepła, smarów. Powinien on znajdować się w bezpiecznej odległości od ostrych krawędzi i części ruchomych.** Przewody uszkodzone lub poplątane zwiększają ryzyko porażenia prądem.
- Podczas korzystania z elektronarzędzia akumulatorowego na wolnym powietrzu, należy używać przewodu przedłużacza przystosowanego do użytku na zewnątrz.** Używanie przewodu nadającego się do użytku na wolnym powietrzu zmniejsza ryzyko porażenia prądem.
- Jeśli obsługa elektronarzędzia w wilgotnym miejscu jest nieunikniona, użyć zasilania wyposażonego w wyłącznik różnicowo-prądowy.** Użycie wyłącznika różnicowo-prądowego zmniejsza ryzyko porażenia prądem.

3) Bezpieczeństwo osoby obsługującej urządzenie

- Przez cały czas należy mieć się na baczności, uważać na to, co się robi, a w czasie obsługi elektronarzędzia akumulatorowego postępować mając na uwadze zdrowy rozsądek.** Urządzenia nie powinny obsługiwać osoby zmęczone lub będące pod wpływem narkotyków, alkoholu lub leków. Chwila nieuwagi w czasie obsługi elektronarzędzi akumulatorowych może być przyczyną powstania poważnych obrażeń ciała.
- Należy korzystać ze sprzętu ochronnego oraz zawsze nosić okulary ochronne.** Sprzęt ochronny, jak na przykład maska przeciwpyłowa, antypoślizgowe obuwie ochronne, kask lub słuchawki ochronne używany we właściwych sytuacjach pozwoli na zmniejszenie ryzyka obrażeń ciała.
- Unikać niezamierzonego uruchomienia. Przed podłączeniem urządzenia do sieci, zawsze**

- sprawdzić, czy przełącznik znajduje się w pozycji „wyłączony”.** Przenoszenie elektronarzędzi z palcem na przełączniku lub włączonych elektronarzędzi z przełącznikiem w położeniu włączenia jest bardzo niebezpieczne i może powodować wypadki.
- d) **Przed włączeniem elektronarzędzia akumulatorowego należy usunąć z niego wszystkie klucze nastawcze lub maszynowe.** Pozostawienie klucza zamocowanego na jednej z części obrotowych urządzenia może spowodować powstanie obrażeń ciała.
- e) **Nie należy sięgać ponad urządzeniem. Przez cały czas należy zachować odpowiednią równowagę i zapewnić odpowiednie oparcie dla stóp.** Pozwoli to na lepsze kontrolowanie urządzenia w nieoczekiwanych sytuacjach.
- f) **Należy nosić odpowiednie ubranie. Do pracy z urządzeniem nie wkładać luźnych ubrań ani biżuterii. Włosy, ubranie i rękawiczki trzymać z dala od części ruchomych.** Luźne części ubrania, biżuteria lub długie włosy mogą zostać wciągnięte przez części ruchome.
- g) **Jeśli w urządzeniu przewidziano elementy służące do odprowadzania i zbierania pyłu, należy sprawdzić, czy są podłączone, i czy działają we właściwy sposób.** Korzystanie z tego typu elementów pozwala ograniczyć ryzyko związane z wydzielaniem pyłu podczas pracy urządzenia.
- h) **Nie zezwalać na to, aby rutyna związana z częstym korzystaniem z narzędzi powodowała nadmierną pewność siebie i ignorowanie zasad bezpiecznego korzystania z narzędzi.** Nieodpowiedzialne działanie może spowodować poważne obrażenia ciała w ułamku sekundy.
- 4) Obsługa i konserwacja elektronarzędzi akumulatorowych**
- a) **Urządzenia nie należy przeciążać. Należy korzystać z narzędzia odpowiedniego do danego typu pracy.** Odpowiednio dobrane urządzenie pozwoli na lepsze i bezpieczniejsze wykonanie pracy, we właściwym dla urządzenia tempie.
- b) **Z elektronarzędzia akumulatorowego nie należy korzystać, jeśli nie można go włączyć i wyłączyć przy pomocy przełącznika.** Urządzenie, którego nie można kontrolować używając przełącznika jest niebezpieczne i powinno być oddane do naprawy.
- c) **Przed przystąpieniem do regulowania elektronarzędzi akumulatorowych, wymiany akcesoriów lub przygotowywania urządzeń do okresu przechowywania, należy odłączyć wtyczkę od źródła zasilania.** Tego typu środków ostrożności zmniejszają ryzyko przypadkowego uruchomienia urządzenia.
- d) **Nieczynne elektronarzędzia akumulatorowe należy przechowywać poza zasięgiem dzieci. Nie należy pozwolić, aby osoby nie znające urządzeń lub niniejszych instrukcji obsługiwały urządzenie.** Elektronarzędzia akumulatorowe w rękach niekompetentnych użytkowników stanowią zagrożenie.
- e) **Elektronarzędzia akumulatorowe należy utrzymywać w dobrym stanie technicznym. Należy sprawdzać, czy części ruchome są właściwie założone, i czy się nie zacinają. Należy również sprawdzać, czy jakieś części nie są uszkodzone oraz sprawdzać wszelkie inne elementy, które mogą wpłynąć na pracę urządzeń. Jeśli urządzenie jest uszkodzone, przed przystąpieniem do jego użytkowania, należy je naprawić.** Często przyczyną wypadków jest zły stan techniczny urządzeń.
- f) **Narzędzia służące do cięcia powinny być naostrzone i utrzymywane w czystości.** Jeśli narzędzia służące do cięcia, które posiadają ostre krawędzie tnące, są właściwie konserwowane, istnieje mniejsze prawdopodobieństwo ich zacinania się. Ponadto, łatwiej je kontrolować.
- g) **Elektronarzędzia akumulatorowego, akcesoriów, nakładek, itp. należy używać zgodnie z niniejszymi instrukcjami oraz w sposób właściwy dla danego rodzaju urządzenia, z uwzględnieniem warunków pracy oraz jej rodzaju.** Używanie urządzenia niezgodnie z przeznaczeniem może prowadzić do powstania sytuacji niebezpiecznych.
- h) **Uchwyty należy utrzymywać w stanie suchym, czystym i niezabrudzonym olejem lub smarem.** Śliskie uchwyty i powierzchnie do chwytania nie pozwalają na bezpieczne obchodzenie się z narzędziem i panowanie nad nim w nieoczekiwanych sytuacjach.
- 5) Użytkowanie i konserwacja urządzenia zasilanego akumulatorami**
- a) **Ładować tylko przy użyciu ładowarki określonej przez producenta.** Ładowarka przewidziana dla jednego rodzaju akumulatorów stwarza ryzyko pożaru w przypadku użycia jej z innym zestawem akumulatorów.

- b) **Należy używać jedynie akumulatorów przeznaczonych dla danego urządzenia.** Użycie innych akumulatorów stwarza ryzyko wystąpienia obrażeń ciała lub pożaru.
- c) **Kiedy akumulatorki nie są używane, należy przechowywać je z dala od przedmiotów metalowych, takich jak spinacze do papieru, monety, klucze, gwoździe, śruby lub inne niewielkie przedmioty metalowe, które mogłyby spowodować zwarcie pomiędzy stykami.** Zwarcie styków akumulatorka może spowodować pożar.
- d) **W przypadku przecięcia z akumulatorka może wycieknąć płyn; nie należy go dotykać. W razie przypadkowego kontaktu przemyć skórę wodą. W przypadku dostania się płynu do oczu należy skontaktować się z lekarzem.** Płyn z akumulatorka może powodować podrażnienia lub oparzenia.
- e) **Nie używać uszkodzonego ani zmodyfikowanego akumulatora lub narzędzia.** Uszkodzone lub zmodyfikowane akumulatory mogą działać w sposób nieoczekiwany, co może spowodować pożar, wybuch lub ryzyko obrażeń ciała.
- f) **Nie wystawiać akumulatora ani narzędzia na działanie płomienia lub zbyt wysokiej temperatury.** Narażenie na działanie płomienia lub temperatury powyżej 130°C może spowodować wybuch. UWAGA Temperaturę „130 °C“ można zastąpić temperaturą „265 °F“.
- g) **Przestrzegać wszystkich instrukcji ładowania i nie ładować akumulatora ani narzędzia poza zakresem temperatury podanym w instrukcji.** Nieprawidłowe ładowanie lub ładowanie w temperaturze poza podanym zakresem może spowodować uszkodzenie akumulatora i zwiększyć ryzyko pożaru.
- 6) Serwis**
- a) **Zlecać serwisowanie elektronarzędzie wykwalifikowanemu technikowi stosującymi jedynie części zamienne identyczne z oryginalnymi.** Zapewni to zachowanie bezpieczeństwa elektronarzędzia.
- b) **Nigdy nie serwisować uszkodzonych akumulatorów.** Serwisowanie akumulatorów może przeprowadzać wyłącznie producent lub autoryzowany serwis.

DODATKOWE INSTRUKCJE DOTYCZĄCE BEZPIECZEŃSTWA DLA BEZPRZEWODOWA PODKASZARKA

- Nigdy nie pozwalać dzieciom ani osobom niezaznajomionym z niniejszymi instrukcjami na używanie podkaszarki. Przepisy krajowe mogą ograniczać wiek operatora. Kiedy podkaszarka nie jest używana, przechowywać ją poza zasięgiem dzieci.
- Nigdy nie używać podkaszarki z brakującymi lub pękniętymi osłonami lub pokrywami ani bez nich.
- Przed użyciem narzędzia i w przypadku uderzenia w narzędzie, sprawdzić, czy nie występują oznaki zużycia lub uszkodzenia i zlecić naprawę w razie potrzeby.
- Nigdy nie uruchamiać urządzenia, gdy jest się zmęczonym, chorym lub pod wpływem leków, alkoholu albo innych środków odurzających.
- Zawsze nosić wytrzymałe spodnie z długimi nogawkami, pełne obuwie i rękawice. Nie nosić luźnych ubrań, biżuterii, krótkich spodenek, sandałów i nigdy nie pracować boso.
- Korzystać z ochrony oczu i ochronników słuchu podczas pracy maszyną.
- Utrzymywać solidne podparcie stóp i równowagę. Nie sięgać za daleko.
- Nigdy nie używać podkaszarki, gdy w pobliżu znajdują się ludzie (zwłaszcza dzieci) lub zwierzęta domowe.
- Przed dotknięciem żyłki poczekać, aż całkowicie się zatrzyma. Żyłka nadal obraca się po wyłączeniu podkaszarki, a obracająca się żyłka może spowodować obrażenia ciała.
- Pracować wyłącznie w świetle dnia lub przy dobrym oświetleniu sztucznym.
- Unikać używania podkaszarki w złych warunkach pogodowych, szczególnie wtedy, gdy występuje ryzyko wyładowań atmosferycznych.
- Używanie podkaszarki w mokrej trawie zmniejsza jej wydajność.
- Wyłączać podkaszarkę na czas jej transportu do i z miejsca pracy.
- Włączać silnik tylko wtedy, gdy dłoni i stopy znajdują się z dala od elementów koszących.
- Nie zbliżać dłoni ani stóp do zespołu koszącego.
- Wyjąć akumulator przed wymianą szpuli.
- Nigdy nie instalować metalowych elementów tnących w tej podkaszarce.
- Regularnie sprawdzać i konserwować podkaszarkę.
- Przekazywać podkaszarkę do naprawy wyłącz-

nie do autoryzowanego serwisu.

- Dopilnować, aby szczeliny wentylacyjne były zawsze wolne od zanieczyszczeń.
- Wyjąć akumulator:
 - za każdym razem, gdy pozostawi się narzędzie bez nadzoru na dowolny czas,
 - przed wymianą żyłki,
 - przed rozpoczęciem czyszczenia, kontroli lub regulacji podkaszarki.
- Przechowywać narzędzie w bezpiecznym, suchym miejscu niedostępnym dla dzieci. Nie kłaść niczego na maszynie.
- Nie używać narzędzia bez zamontowanej żyłki.

OSTRZEŻENIA DOTYCZĄCE AKUMULATORA

- a) **Nie otwierać akumulatora.** Ryzyko zwarcia.
- b) **Chronić akumulator przed gorącym, np. długotrwałym silnym nasłonecznieniem, ogniem, wodą i wilgocią.** Ryzyko wybuchu.
- c) **W razie uszkodzenia i błędnego użytkowania akumulatora, może dojść do emisji oparów. Przewietrzć miejsce emisji i uzyskać pomoc lekarską w razie dolegliwości.** Opary mogą powodować podrażnienie układu oddechowego.
- d) **Używać akumulatora wyłącznie w połączeniu z produktem marki Vonroc.** Takie postępowanie chroni akumulator przed niebezpiecznym przeciążeniem.
- e) **Akumulator może zostać uszkodzony przez ostro zakończone przedmioty, jak gwoździe lub wkrętki, albo przez uderzenie z zewnątrz.** Może dojść do wewnętrznego zwarcia i akumulator może zacząć się palić, dymić, wybuchnąć lub przegrzać się.

OSTRZEŻENIA DOTYCZĄCE ŁADOWARKI

Przeznaczenie

Za pomocą ładowarki ładować wyłącznie akumulatory typu CD801AA i CD803AA. Baterie mogą pękać, powodując obrażenia ciała i uszkodzenia mienia.

- a) **Urządzenie nie jest przeznaczone do użytku przez osoby (w tym dzieci) o ograniczonych zdolnościach fizycznych, czuciowych lub umysłowych albo nie posiadające doświadczenia i wiedzy, chyba że zostały one odpowiednio poinstruowane i są pod nadzorem.**
- b) **Dzieciom nie wolno pozwalać bawić się urządzeniem.**
- c) **Nie ładować zwykłych baterii!**
- d) **Podczas ładowania akumulatory muszą znajdować się w dobrze wentylowanym miejscu!**

2. INFORMACJE O NARZĘDZIU

Przeznaczenie

Podkaszarka jest przeznaczona do koszenia trawy i chwastów, miejsc pod krzewami oraz zboczy. Podkaszarka idealnie nadaje się do cięcia krawędzi, do których dostęp z użyciem kosiarki jest niemożliwy. Podkaszarka jest przeznaczona do użytku w temperaturze otoczenia od 0°C do 45°C. Nie używać narzędzia w deszczu.


DANE TECHNICZNE





Niniejsza instrukcja dotyczy różnych zestawów/numerów artykułów. Sprawdź odpowiedni numer artykułu w poniższej tabeli, aby uzyskać informacje na temat zawartości zestawu.

Nr modelu	Baterie w komplecie	Ładowarka w komplecie
GT501DC	-	-
S_GT501DC	CD801AA	CD802AA
S2_GT501DC	2 x CD801AA	CD802AA
S3_GT501DC	CD803AA	CD802AA

Informacje o maszynie	
Napięcie	20V
Drążek teleskopowy	420-700 mm
Regulacja nachylenia drążka	0° - 90°
Regulacja głowicy	0° - 90°
Prędkość bez obciążenia	8000 obr./min
Średnica koszenia	250 mm
Układ koszenia	Szpula z 2 żyłkami Typu „stuknij, aby wysunąć” Ø1,2 mm x 5 m
Ciężar (bez akumulatora)	2,1 kg
Poziom ciśnienia akustycznego LPA	71,2 dB(A) K= 3dB(A)
Poziom mocy akustycznej LWA	88,2 dB(A) K= 3dB(A)
Wartość drgań	6,918 m/s ² K=1,5 m/s ²

Nr modelu	CD801AA
Typ akumulatora	Litowo-jonowy
Napięcie	20V 
Pojemność	2,0 Ah
Zalecana ładowarka	CD802AA
Ciężar	0,3 kg

Nr modelu	CD802AA
Parametry wejściowe ładowarki	220-240V, 50Hz 0,4A
Parametry wyjściowe ładowarki	21V  2,5A
Czas ładowania akumulatora 2 Ah	60 minut
Czas ładowania akumulatora 4 Ah	120 minut
Zalecane akumulatory	CD801AA, CD803AA
Ciężar	0,36 kg

Nr modelu	CD803AA
Typ akumulatora	Lithium-Ion
Napięcie	20V 
Pojemność	4,0 Ah
Zalecana ładowarka	CD802AA
Ciężar	0,65 kg

Gwarantowana wartość zgodnie z dyrektywą dotyczącą hałasu: LWA 96db (A)

Używać wyłącznie następujących akumulatorów z platformy akumulatorów VONROC VPOWER 20V. Użycie innych akumulatorów może spowodować poważne obrażenia ciała lub uszkodzenie narzędzia.
 CD801AA 20V, 2Ah Litowo-jonowy
 CD803AA 20V, 4Ah Litowo-jonowy

Następującej ładowarki można używać do ładowania tych akumulatorów.
 CD802AA Szybka ładowarka

Akumulatory należące do platformy VONROC VPOWER 20V można stosować we wszystkich narzędziach z platformy VONROC VPOWER 20V.

Poziom drgań

Poziom emisji drgań podany w tej instrukcji obsługi został zmierzony zgodnie ze standaryzowanym testem podanym w normie EN 50636-2-91; może on służyć do porównywania narzędzi ze sobą oraz do wstępnego oszacowania ekspozycji na drgania podczas użytkowania narzędzia do podanych zastosowań

- używanie narzędzia do innych zastosowań lub z innymi lub źle konserwowanymi akcesoriami może znacząco zwiększać poziom ekspozycji
- okresy, gdy narzędzie jest wyłączone lub okresy, gdy jest włączone, ale nie pracuje, mogą znacząco zmniejszać poziom ekspozycji

Chronić się przed wpływem drgań, konserwując odpowiednio narzędzie i akcesoria, utrzymując ciepłotę dłoni oraz odpowiednio organizując pracę.

OPIS

Liczby w tekście odnoszą się do rysunków na stronach 2-5.

1. Akumulator
2. Przycisk odblokowania akumulatora
3. Wskaźnik ładowania akumulatora
4. Ładowarka
5. Diody LED ładowarki
6. Włącznik
7. Wyłącznik bezpieczeństwa
8. Uchwyt przedni
9. Pokrętko uchwytu przedniego
10. Osłona ochronna
11. Wkręt
12. Pręt ochronny
13. Kółko boczne
14. Mocowanie kółka bocznego
15. Pokrywa szpuli
16. Szpula
17. Sprężyna szpuli
18. Kasetka szpuli
19. Końcówka szpuli
20. Przycisk regulacji głowicy podkaszarki
21. Pierścień regulacji głowicy podkaszarki
22. Dolny pierścień regulacji
23. Górny wał
24. Dolny wał
25. Przycisk diod LED akumulatora

3. MONTAŻ



Przed rozpoczęciem jakichkolwiek prac dotyczących elektronarzędzia, wyjąć akumulator.



Ostrzeżenie! Nie używać podkaszarki bez osłony ochronnej.



Narzędzie należy naładować przed pierwszym użyciem.

Wkładanie akumulatora do narzędzia (Rys. C1)



Dopilnować, aby zewnętrzna powierzchnia akumulatora była czysta i sucha przed podłączeniem do ładowarki lub narzędzia.

1. Włożyć akumulator (1) w podstawę narzędzia, zgodnie z Rys. C1.
2. Wcisnąć akumulator dalej, aż zatrzaśnie się w poprawnym położeniu.

Wymywanie akumulatora z narzędzia (Rys. C1)

1. Wcisnąć przyciski odblokowania akumulatora (2).
2. Wyjąć akumulator z narzędzia zgodnie z Rys. C1.

Sprawdzanie stanu naładowania akumulatora (Rys. C2)

- Aby sprawdzić stan naładowania akumulatora, wcisnąć przycisk (25) na akumulatorze na chwilę.
- Akumulator ma 3 diody informujące o poziomie naładowania. Im więcej świeci diod, tym wyższy poziom naładowania akumulatora.
- Jeśli diody nie świecą, oznacza to, że akumulator jest rozładowany i wymaga niezwłocznego naładowania.

Ładowanie akumulatora (ładowarką) (Rys. C2)

1. Wyjąć akumulator (1) z narzędzia.
2. Ustawić akumulator (1) spodem do góry i wsunąć go na ładowarkę (4) zgodnie z Rys. C2.
3. Wcisnąć akumulator do oporu do gniazda.
4. Podłączyć ładowarkę do gniazdka i poczekać chwilę. Dioda LED na Akumulator (5) zaświeci się, informując o stanie ładowania.

Akumulator jest wyposażona w 2 diodę LED (5), informującą o stanie procesu ładowania:

Stan czerwonej diody LED	Stan zielonej diody LED	Stan ładowarki
Wył.	Wył.	Brak zasilania
Wył.	Wł.	Tryb gotowości: - Nie włożono akumulatora lub - Włożono akumulator, ale ładowanie zostało zakończone
Wł.	Wył.	Ładowanie akumulatora w toku

- Całkowite naładowanie akumulatora 2Ah może trwać do 60 minut.
- Całkowite naładowanie akumulatora 4Ah może trwać do 120 minut.

Po całkowitym naładowaniu akumulatora wyjąć wtyczkę ładowarki z gniazdka i wyjąć akumulator z ładowarki.



Kiedy narzędzie nie jest używane przez długi okres, najlepiej przechowywać akumulator w stanie naładowanym.

Montaż osłony ochronnej (Rys. B1)

- Zamontować osłonę ochronną (10) na obudowę głowicy podkaszarki.
- Zamocować osłonę wkrętem (11) dołączonym do zestawu.

Montaż pręta ochronnego (Rys. B2)

- Ścisnąć końce pręta ochronnego (12), zbliżając je do siebie, a następnie wsunąć je w otwory w obudowie głowicy podkaszarki.
- Pręt ochronny można ustawić w różnych odległościach od głowicy. Aby dostosować ułożenie pręta, po prostu nacisnąć lub pociągnąć go.

Montaż uchwyty przedniego (Rys. D1)

- Założyć uchwyt (8) na uchwycie zamontowanym na górnym wale.
- Włożyć śrubę w sześciokątny otwór i zamontować pokrętko (9) na śrubie.

Regulacja uchwytu przedniego (Rys. D2)

- Lekko odkręcić pokrętko (9) i pchnąć lub pociągnąć uchwyt przedni (8) w żądane położenie. Można go przesunąć w dół lub w górę górnego wału i obracać wokół niego.



Korzystać z kółka bocznego w przypadku korzystania z narzędzia ułożonego bokiem.

Montaż kółka bocznego (Rys. E)

- Wsunąć kółko boczne (13) na mocowanie kółka bocznego (14).

Montaż szpuli żyłki (Rys. F1)

Przed wymianą szpuli, dokładnie oczyścić narzędzie.

- Włożyć sprężynę (17) w kasetę szpuli (18). Dopilnować, aby szerszy bok sprężyny został założony na głowicę podkaszarki.
- Założyć szpulę (16) na sprężynę (17). Dopilnować, aby żyłka została przełożona przez otwory w obudowie (18). (Rys. F2)
- Zasłonić szpulę pokrywą szpuli (15) i zamocować ją, lekko obracając pokrywę.

Wymiana szpuli (Rys. F1)

- Zdjąć pokrywę szpuli (15).
- Wyjąć szpulę (16), ale pozostawić sprężynę (17) w narzędziu.
- Wziąć nową szpulę (GT801AA) i założyć ją na sprężynę (17). Dopilnować, aby żyłka została przełożona przez otwory w obudowie (18). (Rys. F2)
- Zasłonić nową szpulę pokrywą szpuli (15) i zamocować ją, lekko obracając pokrywę.

4. OBSŁUGA**Korzystanie z systemu typu „stuknij, aby wysunąć żyłkę” (Rys. G)**

- Kiedy żyłka jest za krótka, włączyć narzędzie i stuknąć końcówką szpuli (19) o podłoże (koniecznie stuknąć o twardą powierzchnię).
- Spowoduje to zwolnienie i wysunięcie żyłki.
- Żyłka zostanie automatycznie przycięta na odpowiednią długość przez ostrze zamontowane w osłonie ochronnej (10).

Pochylenie głowicy podkaszarki (Rys. H)

Narzędzie musi być wyłączone, a akumulator wyjęty.

- Nacisnąć przycisk (20) na głowicy podkaszarki, aby odchylić ją w żądane położenie.
- Po zwolnieniu przycisku głowica zatrzaśnie się i zablokuje w wybranym położeniu.

Obracanie głowicy podkaszarki (Rys. I)

- Nacisnąć pierścień (21) w dół w stronę głowicy podkaszarki, aby obrócić ją w żądane położenie.
- Po zwolnieniu pierścienia głowica zatrzaśnie się i zablokuje w wybranym położeniu.

Regulacja długości drążka (Rys. J)

- Aby wyregulować długość narzędzia, poluzować dolny pierścień regulacji (22).
- Ostrożnie wyciągnąć dolny wał (24) z górnego wału (23), przesuwając go w dół lub do góry.
- Zamocować dolny pierścień regulacji (22), aby zablokować ustawioną długość.

Korzystanie z podkaszarki

Przed użyciem zawsze wzrokowo sprawdzić narzędzie i jego części pod względem właściwego zamontowania, oznak zużycia lub uszkodzeń.

- Dla własnego bezpieczeństwa i uzyskania najlepszych rezultatów należy zapoznać się z poniższymi poradami dla użytkowników i nie używać produktu do celów niezgodnych z przeznaczeniem.
- Ta podkaszarka jest przeznaczona do koszenia trawy. Wszystkie pozostałe zastosowania nieopisane w tej instrukcji mogą spowodować uszkodzenie podkaszarki lub obrażenia ciała użytkownika.

Zabezpieczenia

- Osłona ochronna jest wyposażona w ostrze do przycinania żyłki na prawidłową długość. Nie dotykać ostrza, aby ograniczyć ryzyko odniesienia obrażeń ciała przez użytkownika.
- Aby uruchomić silnik, jednocześnie użyć włącznika (6) oraz wyłącznika bezpieczeństwa (7). Jeżeli którykolwiek z dwóch przełączników przestanie być naciskany, narzędzie natychmiast przerwie pracę.

Włączanie i wyłączenie

- Aby włączyć podkaszarkę, nacisnąć jednocześnie wyłącznik bezpieczeństwa (7) i włącznik (6).
- Aby wyłączyć urządzenie, puścić jeden lub oba przełączniki.

5. KONSERWACJA

Przed rozpoczęciem czyszczenia i konserwacji zawsze wylaczac maszynie i wyjmowac z niej akumulator.

Czyścić obudowę maszyny regularnie miękką ściereczką, najlepiej po każdym użyciu. Dopilnować, aby otwory wentylacyjne były wolne od pyłu, kurzu i zabrudzeń. Usuwać oporne zabrudzenia miękką ściereczką zwilżoną mydlinami. Nie używać żadnych rozpuszczalników, takich jak benzyna, alkohol, amoniak itp. Takie substancje chemiczne spowodują uszkodzenie części z tworzyw sztucznych.

SRODOWISKO

Uszkodzone i/lub niepotrzebne urządzenia elektryczne lub elektroniczne podlegają zbiórce w odpowiednich punktach recyklingu.

Tylko kraje WE

Nie wyrzucać elektronarzędzi wraz z odpadami z gospodarstw domowych. Zgodnie z dyrektywa 2012/19/WE dotycząca zużytych urządzeń elektrycznych i elektronicznych oraz jej wdrożeniem do prawodawstwa krajowego, elektronarzędzia, które już nie nadają się do użytku, podlegają oddzielnej zbiórce oraz utylizacji w sposób przyjazny dla środowiska.

GWARANCJA

Produkty VONROC są wytwarzane zgodnie z najwyższymi standardami jakości i producent udziela gwarancji na wady materiałowe i wady wykonania na okres wymagany prawem, licząc od dnia zakupu. Jeśli wystąpi usterka produktu w tym okresie spowodowana wadą materiałową i/lub wadą wykonania, proszę bezpośrednio skontaktować się ze sprzedawcą VONROC.

Następujące okoliczności powodują unieważnienie gwarancji:

- Przeprowadzono naprawy lub modyfikacje narzędzia w serwisie innym lub autoryzowany lub podjęto ich próbę;
- Normalne zużycie nie jest objęte gwarancją;
- Narzędzie było używane niezgodnie z przeznaczeniem, źle z nim się obchodzono lub było nieprawidłowo konserwowane;
- Użyto części zamiennych innych niż oryginalne.

Niniejsza gwarancja to wyłączna gwarancja producenta i nie obowiązują żadne inne wyrażone ani dorozumiane gwarancje. Nie obowiązują żadne inne wyrażone ani dorozumiane gwarancje o zakresie przekraczającym niniejszą gwarancję, co obejmuje dorozumiane gwarancje przydatności do sprzedaży i przydatności do określonego celu. W żadnym przypadku firma VONROC nie ponosi odpowiedzialności za straty przypadkowe lub wynikowe. Zadośćuczynienie sprzedawcy jest ograniczone do naprawy lub wymiany niezgodnych urządzeń lub części.

Produkt i instrukcja obsługi podlegają zmianom. Dane techniczne podlegają zmianom bez uprzedzenia.



DECLARATION OF CONFORMITY
GT501DC / S_GT501DC / S2_GT501DC / S3_GT501DC - CORDLESS GRASS TRIMMER

- (EN) We declare under our sole responsibility that this product is in conformity with directive 2011/65/EU of the European parliament and of the council of 8 June on the restriction of the use of certain hazardous substances in electrical and electronic equipment is in conformity and accordance with the following standards and regulations:
- (DE) Der Hersteller erklärt eigenverantwortlich, dass dieses Produkt der Direktive 2011/65/ EU des Europäischen Parlaments und des Rats vom 8. Juni 2011 über die Einschränkung der Anwendung von bestimmten gefährlichen Stoffen in elektrischen und elektronischen Geräten entspricht, den folgenden Standards und Vorschriften entspricht:
- (NL) Wij verklaren onder onze volledige verantwoordelijkheid dat dit product voldoet aan de conform Richtlijn 2011/65/EU van het Europees Parlement en de Raad van 8 juni 2011 betreffende beperking van het gebruik van bepaalde gevaarlijke stoffen in elektrische en elektronische apparatuur en in overeenstemming is met de volgende standaarden en reguleringen:
- (FR) Nous déclarons sous notre seule responsabilité que ce produit est conforme aux standards et directives suivants: est conforme à la Directive 2011/65/EU du Parlement Européen et du Conseil du 8 juin 2011 concernant la limitation d'usage de certaines substances dangereuses dans l'équipement électrique et électronique.
- (ES) Declaramos bajo nuestra exclusiva responsabilidad que este producto cumple con las siguientes normas y estándares de funcionamiento: se encuentra conforme con la Directiva 2011/65/UE del Parlamento Europeo y del Consejo de 8 de junio de 2011 sobre la restricción del uso de determinadas sustancias peligrosas en los equipos eléctricos y electrónicos.
- (IT) Dichiariamo, sotto la nostra responsabilità, che questo prodotto è conforme alle normative e ai regolamenti seguenti: è conforme alla Direttiva 2011/65/UE del Parlamento Europeo e del Consiglio dell'8 giugno 2011 sulla limitazione dell'uso di determinate sostanze pericolose nelle apparecchiature elettriche ed elettroniche.
- (PL) Deklarujemy na własną odpowiedzialność, że ten produkt spełnia wymogi zawarte w następujących normach i przepisach: jest zgodny z Dyrektywą 2011/65/UE Parlamentu Europejskiego i Rady z dnia 8 czerwca 2011 r. w sprawie ograniczenia stosowania niektórych niebezpiecznych substancji w sprzęcie elektrycznym i elektronicznym.

Measured sound power level: 88,2 dB(A)

Guaranteed sound power level: 96 dB(A)

Conformity assessment method to Annex VI Directive 2000/14/EC amended by 2005/88/EC

GT501DC:

EN 55014-1, EN 55014-2, EN 62233, EN 50636-2-91, EN 60335-1, 2006/42/EC, 2011/65/EU, 2012/19/EU, 2014/30/EU, 2000/14/EC, 2005/88/EC

S_GT501DC / S2_GT501DC / S3_GT501DC:

EN 550141, EN 550142, EN 62233, EN 50636291, EN 603351, 2006/42/EC, 2011/65/EU, 2012/19/EU, 2014/30/EU, 2000/14/EC, 2005/88/EC, 2014/35/EU, EN61000-3-2, EN61000-3-3, EN60335-2-29

Zwolle, 01-12-2020

H.G.F Rosberg
CEO

VONROC • Lingenstraat 6 • 8028 PM Zwolle • The Netherlands



VONROC®
BUILD YOUR FUTURE

©2020 VONROC
WWW.VONROC.COM

2012-22