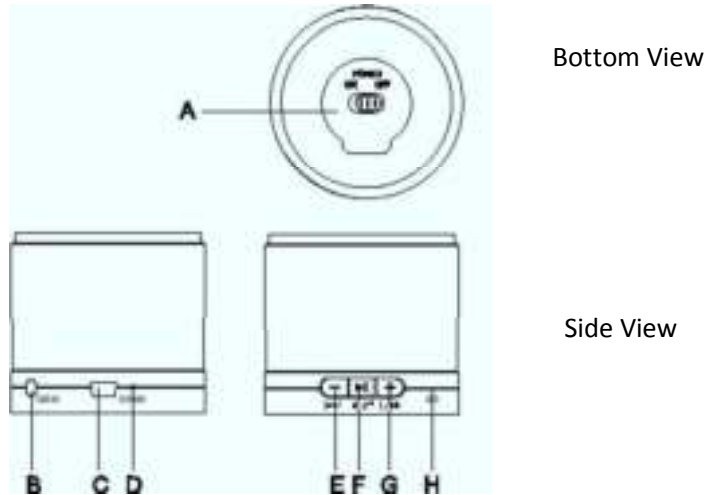


Bluetooth Speaker Instruction Manual

Know your speaker



A: Power On/Off

B: 3.5mm AUX line in

C: Micro USB charging port (DC 5V)

D: Power/ Charging/ Pairing indicator light

E: Volume down

F: Handsfree answer/ hang up

G: Volume up

H: Microphone

Product specification

Bluetooth specification	Bluetooth V3
Operating distance	Up to 10 meters
Battery	Rechargeable 450mAh Lithium battery
Working times	Music: up to 4 hours (50-70% volume)
Charging time	3-4 hours

Dimension	DIA 60mm x H 57mm
Weight	228g
Speaker specifications	
Diameter	2 inch
Impedence	4Ω
Power output	3W
dBSPL	80+/-3 dB

Package & Accessories

- Bluetooth Speaker
- Micro USB cable
- 3.5mm audio cable
- Instruction manual

Operation Instructions

-Charging your speaker

Your speaker comes with a built-in rechargeable battery. Prior to using it for the first time, it is recommended to completely charge the battery. When the speaker is in low power status, the speaker will emit a tone. Please recharge the battery of the speaker. Connect the provided USB cable to a compatible AC-charger, computer or laptop USB port. The red LED will be illuminated while charging. It takes approximately 3-4 hours to completely charge the battery. When charging is completed, the red LED will switch off. When the battery is fully discharged, the unit will require a minimum of 30 minutes of charging before speaker function or Bluetooth music streaming can resume.

-AUX line in Mode

With the speaker switched on, connect 3.5mm audio cable to your music device and to the speakers Aux input. The red indicator light will switch on once it is connected. Your music will be controlled via your music player with the volume being adjusted on the speaker's volume buttons

Note:

- The handsfree function is not available in AUX line in mode.

- Bluetooth Mode for music streaming

Prior to using your Speaker under Bluetooth mode, you will need to pair it with a Bluetooth-enabled device, e.g. your mobile phone, music player or PC/laptop.

After switching power on, the speaker will have emit a tone and the blue indicator light will flash consecutively which indicates the Bluetooth function is available.

The pairing procedures are specific for different mobile phone models and brands. Please refer to your mobile phone's user manual for further information.

The general pairing procedure is as follows:

1. Make sure the mobile phone and the speaker are within Bluetooth range (i.e. not more than 10 meter apart).
2. Activate your mobile phone's Bluetooth function and set your mobile phone to search for Bluetooth devices. After the search is completed, select the "SCABT" from the Bluetooth device list.
3. You can now enjoy your music with the speaker by controlling the music via your music player and with the volume being adjusted on the speaker's volume buttons.

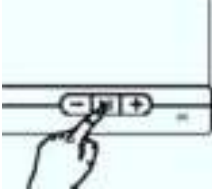
Note:

1. The Bluetooth speaker will only sync with one device at any time, the connection cannot be deleted when matching. It can only be deleted in disconnection mode.
2. A Bluetooth connection list cannot have two devices with the same name. This will cause one of the two devices to fail to connect via Bluetooth.
3. When playing music on some mobile phones, the music will be transmitted to the mobile phone's speaker instead of the portable speaker. You have to select "transmit the sound via Bluetooth" in the settings menu and then choose "SCABT" as speaker device. The music will be transmitted to the speaker. Please refer to your mobile phone's user manual for further information.
4. Some smart phone's and music players do not have smooth cache, this will cause a slight "POP" tone when paused. This is a normal sound.
5. If Bluetooth pairing fails, delete other Bluetooth devices in the connection list, restart speaker and try again.
6. The disconnection of Bluetooth is not immediate and will take a few seconds delay to fully disconnect from the smart phone.

-Making and Answering Phone Calls

With your phone and the speaker is synced via Bluetooth

1. To make a call, directly dial the number on your phone
2. To answer the phone call, short press the “#||” button on the speaker.
3. Press the “#||” button again to hang up the call



4. The volume can be adjusted by pressing the volume button on the speaker.

Note:

1. The hands free function is only available in Bluetooth mode
2. The Bluetooth speaker features an anti-signal disruption design, but can still be interrupted by a high frequency device or electromagnetic field

Maintenance and Care

Read the following recommendations before using your speaker. By following these points you will be able to enjoy the product for many years.

- Do not let small children play this product
- Do not expose the speaker to liquid, moisture or humidity to avoid the product's internal circuit being affected.
- Do not use abrasive cleaning solvents to clean the speaker.
- Store the speaker out of direct sunlight and extreme temperatures (above 45°C/113°F or below -10°C/-14°F), as this may shorten the battery life, affect the operation or degrade the performance of your speaker.
- Do not dispose of the speaker in a fire as it might result in an explosion.
- Do not expose the speaker to sharp objects as this will cause scratches and damage.
- Do not drop the speaker. This may cause damage to the internal circuitry.
- Do not attempt to disassemble the speaker. This may cause damage to the internal circuitry.
- If the speaker is left for long period without use, charge once per month to avoid the overconsumption of the battery.