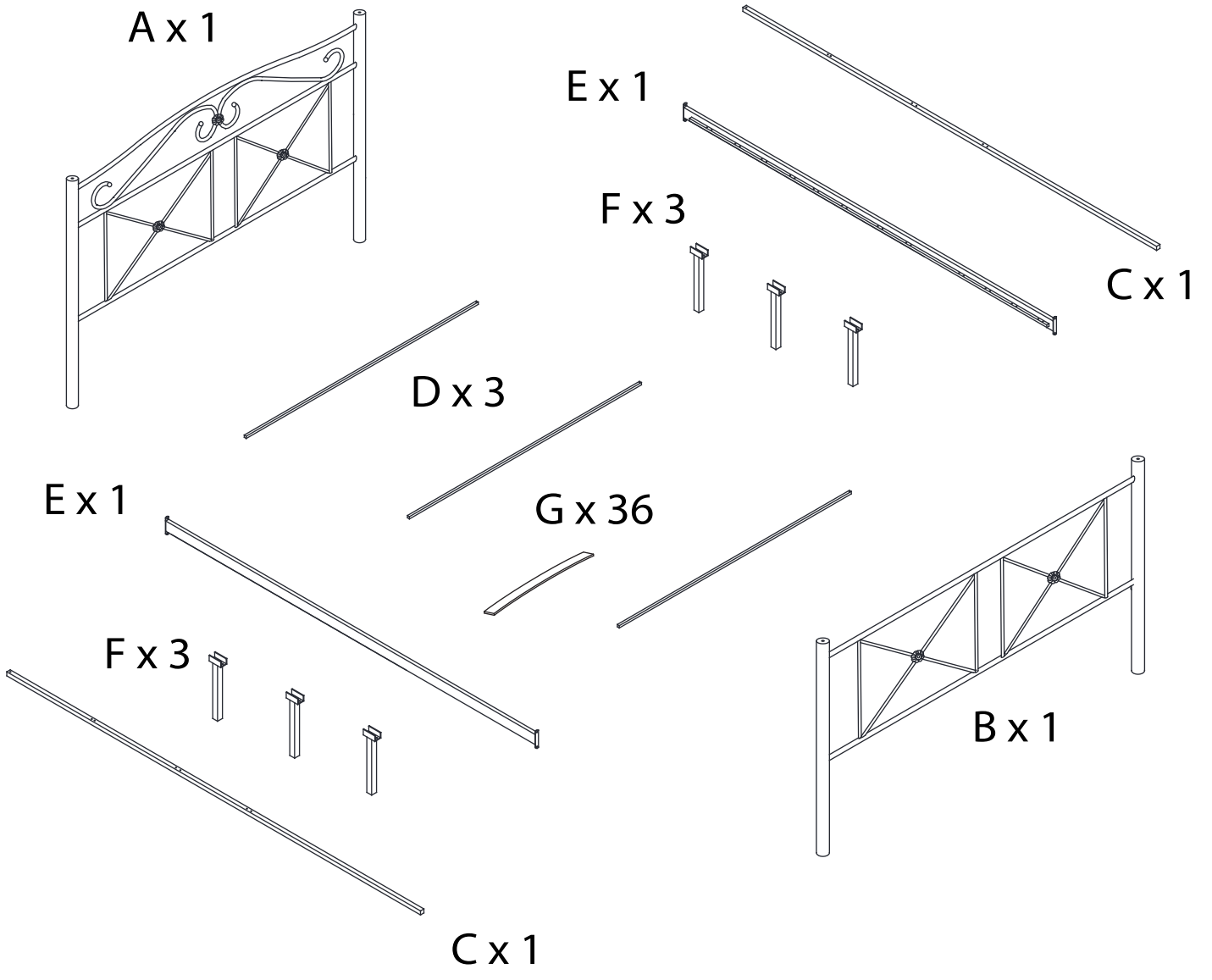
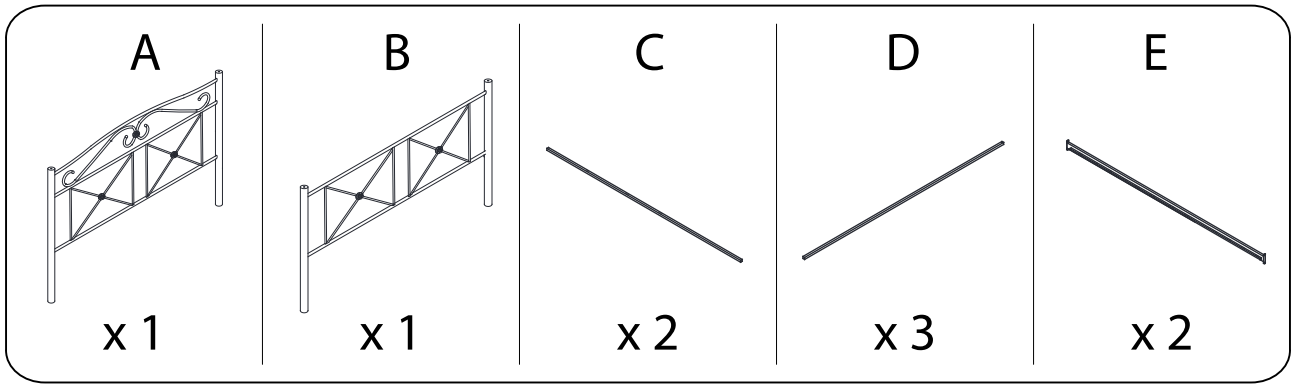
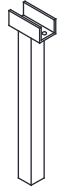

		2

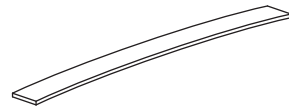


F



x 6

G



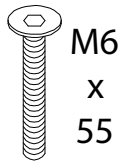
x 36

H



x 4

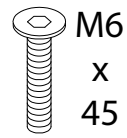
I



M6
x
55

x 6

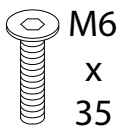
J



M6
x
45

x 6

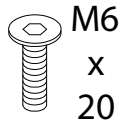
K



M6
x
35

x 10

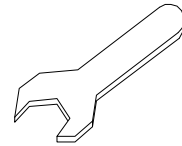
L



M6
x
20

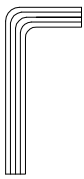
x 8

M



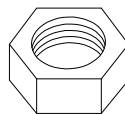
x 1

N



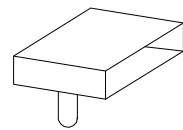
x 1

O



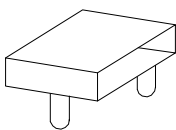
x 22

P



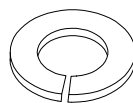
x 24

Q



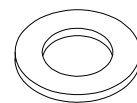
x 24

R



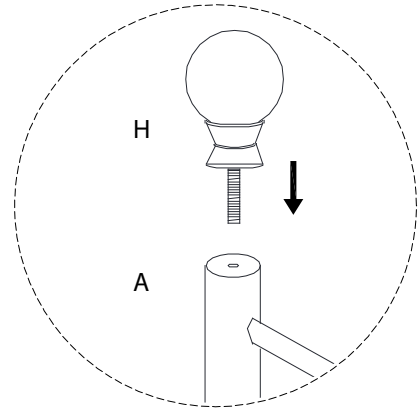
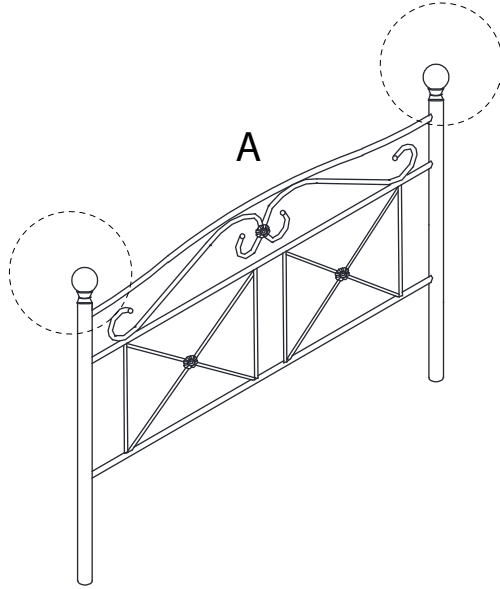
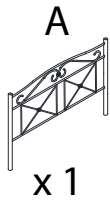
x 8

S

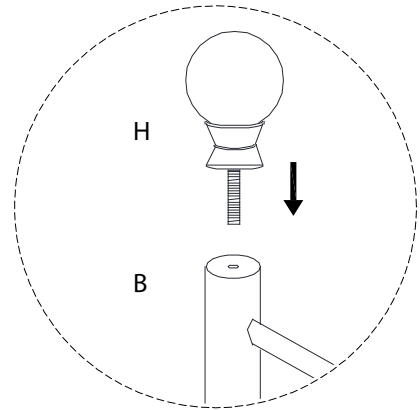
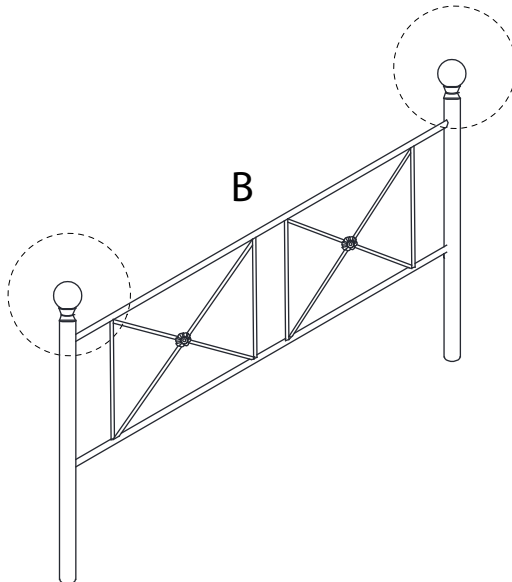
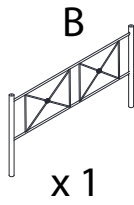


x 24




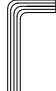
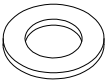
1

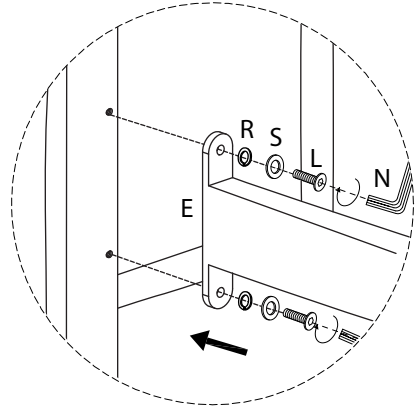
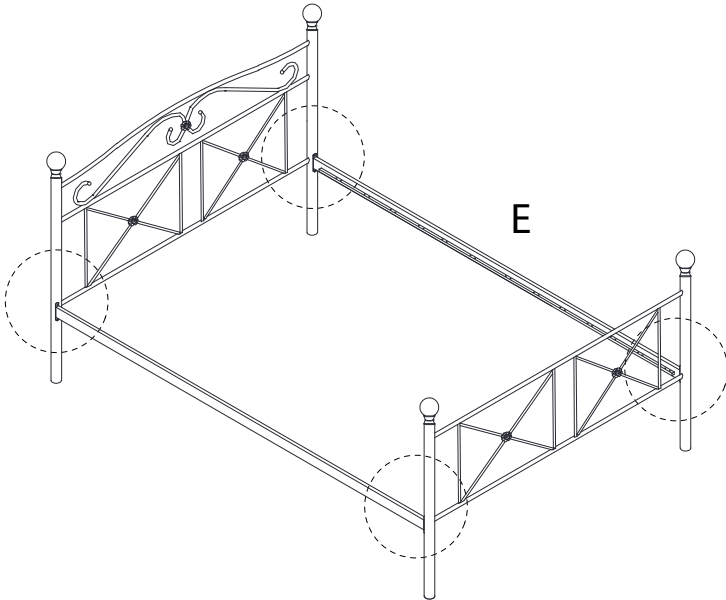


2


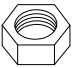
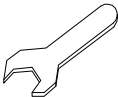
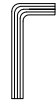
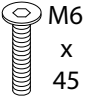


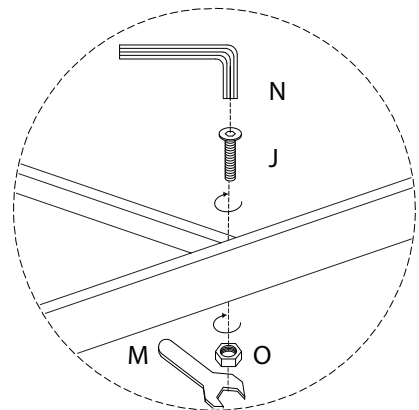
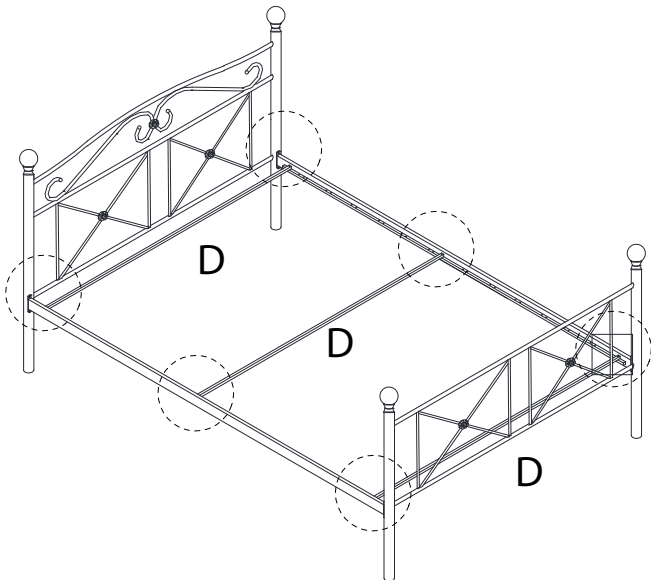
3

<p>E</p>  <p>x 2</p>	<p>L</p>  <p>M6 x 20</p> <p>x 8</p>	<p>R</p>  <p>x 8</p>	<p>N</p>  <p>x 1</p>	<p>S</p>  <p>x 8</p>
---	--	---	---	---


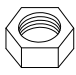
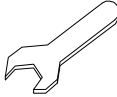
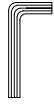
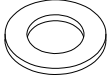
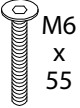


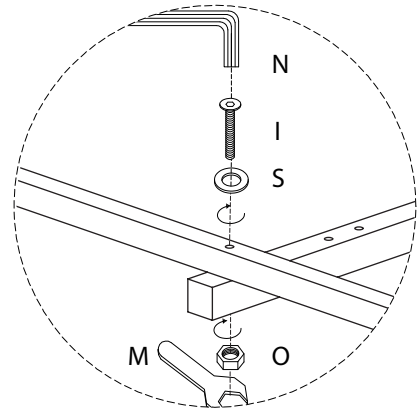
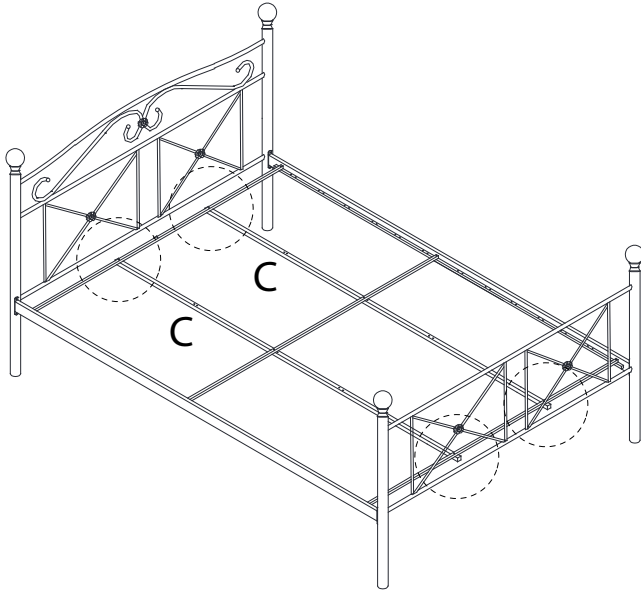
4

<p>D</p>  <p>x 3</p>	<p>O</p>  <p>x 6</p>	<p>M</p>  <p>x 1</p>	<p>N</p>  <p>x 1</p>	<p>J</p>  <p>M6 x 45</p> <p>x 6</p>
---	---	---	---	--


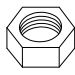
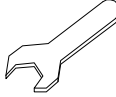
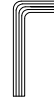
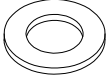
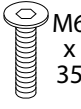
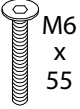


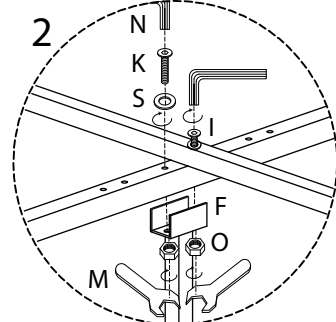
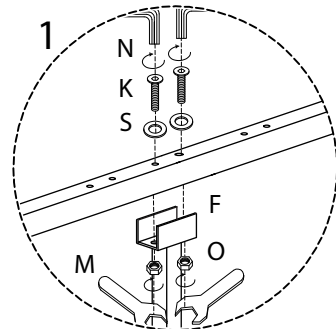
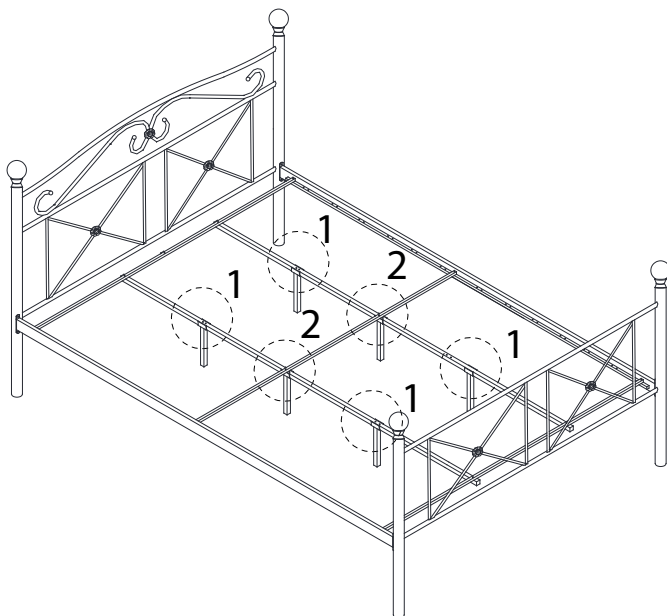
5

C	O	M	N	S	I
					
x 2	x 4	x 1	x 1	x 4	x 4

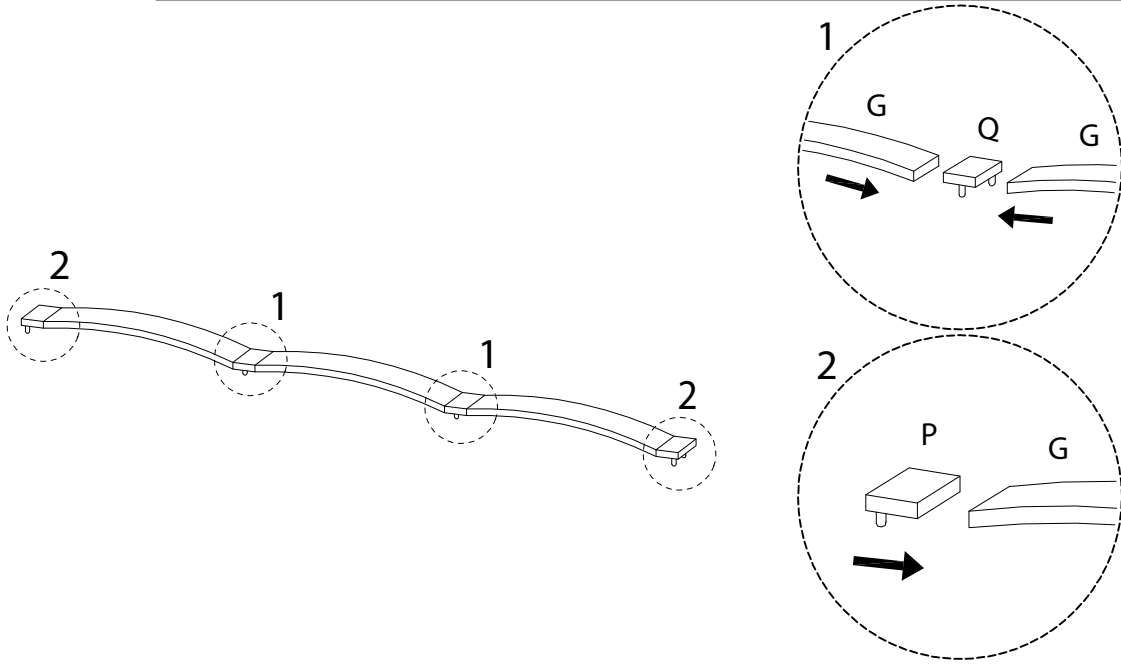
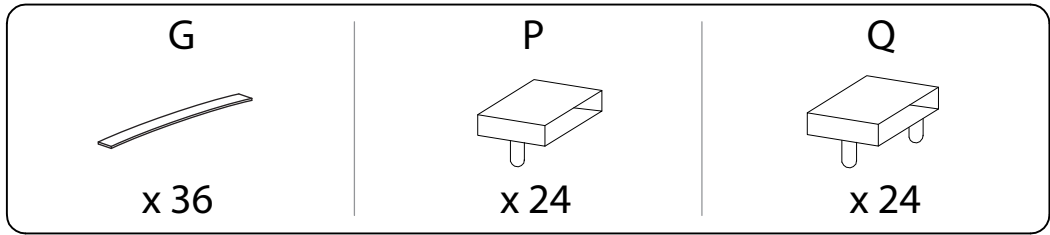


7

F	O	M	N	S	K	I
						
x 6	x 12	x 1	x 1	x 12	x 10	x 2



8



9

