



VONROC®

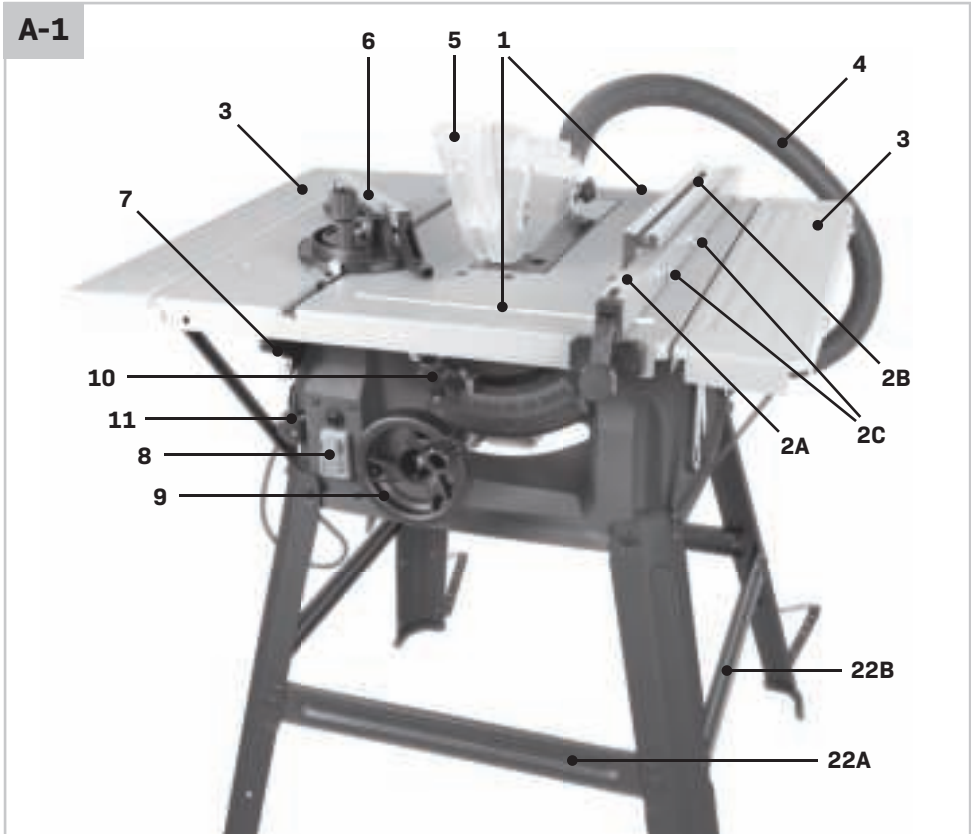
BUILD YOUR FUTURE

TABLE SAW TS501AC

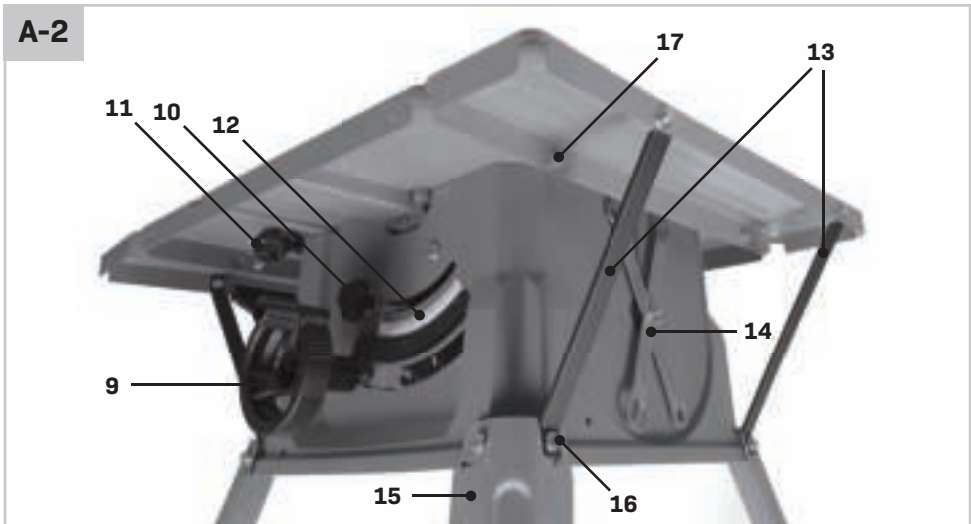


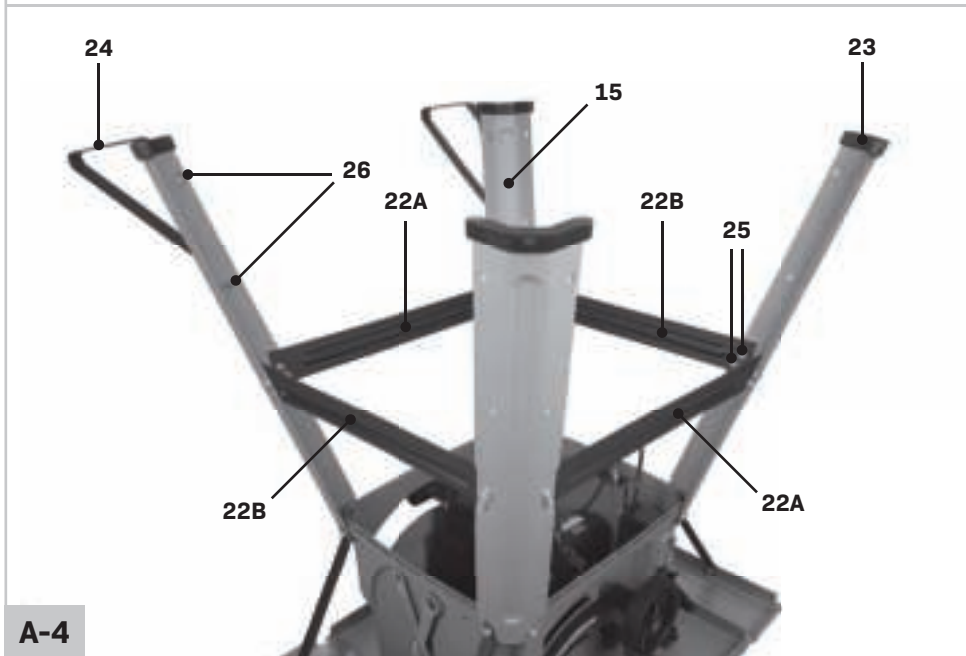
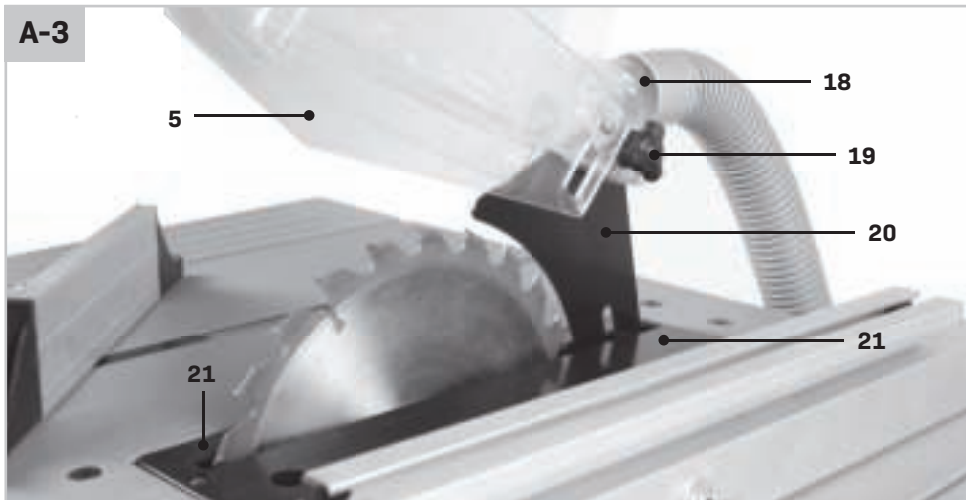
EN	Original Instructions	07
DE	Übersetzung Der Originalbetriebsanleitung	16
NL	Vertaling van de oorspronkelijke gebruiksaanwijzing	27
FR	Traduction de la notice originale	37
ES	Traducción del manual original	47
IT	Traduzione delle istruzioni originali	58

A-1



A-2

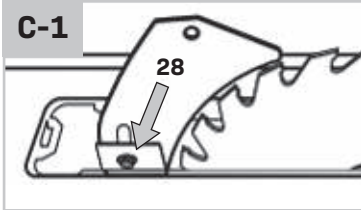




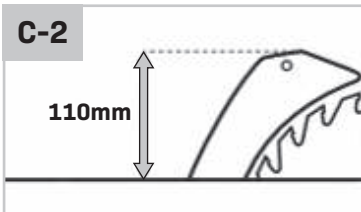
B-1



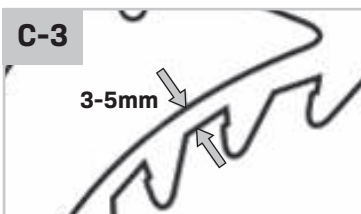
C-1



C-2

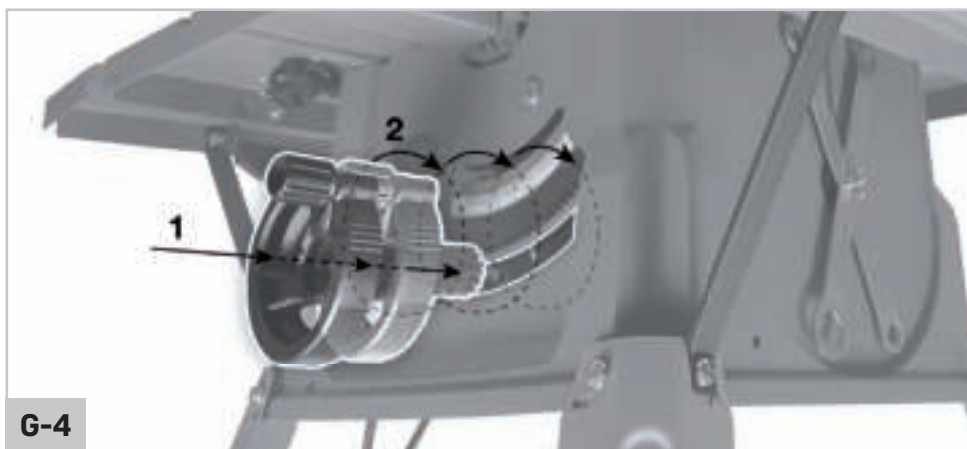
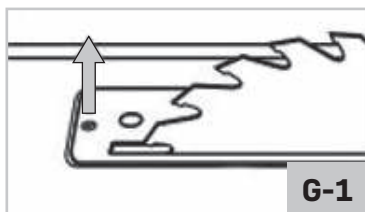
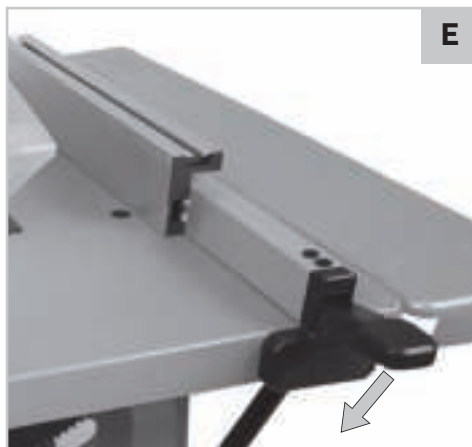
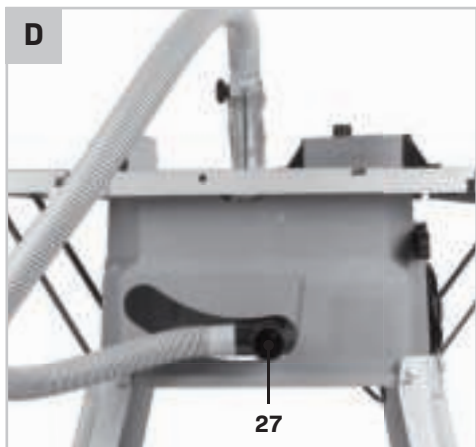


C-3

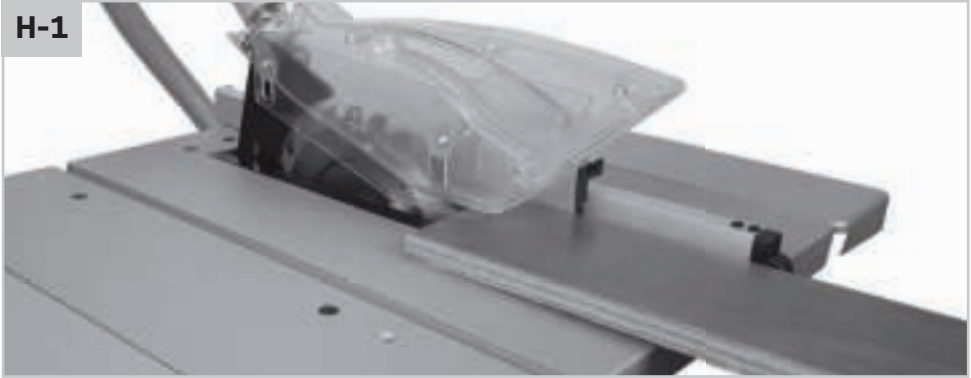


C-4

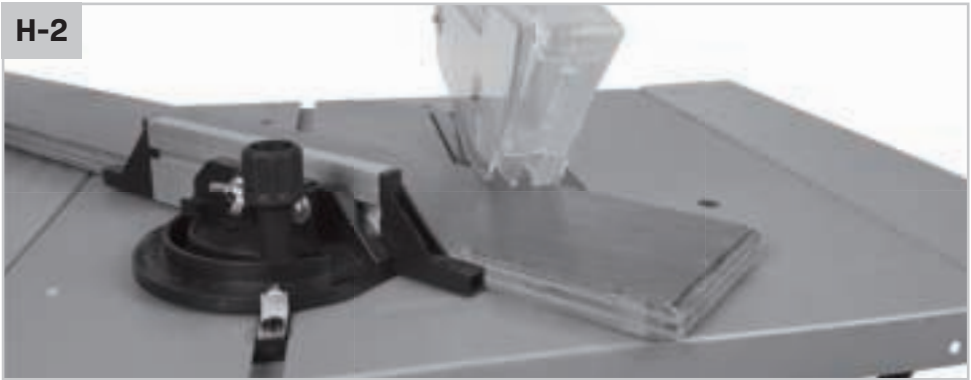




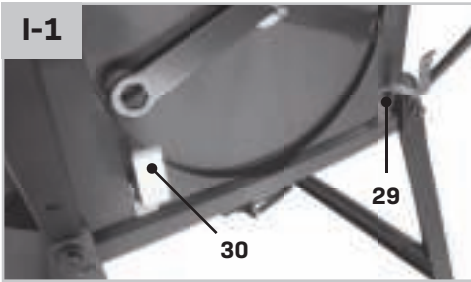
H-1



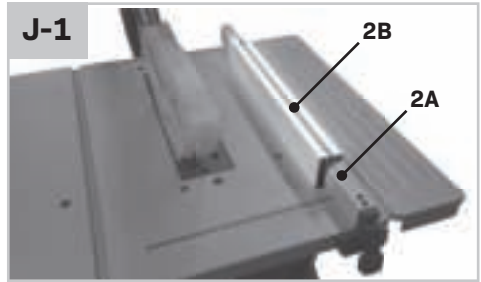
H-2



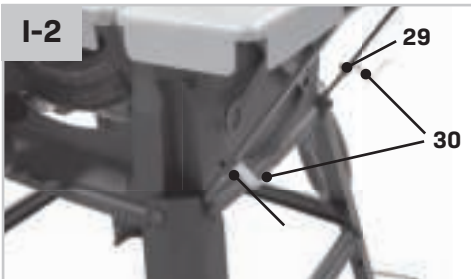
I-1



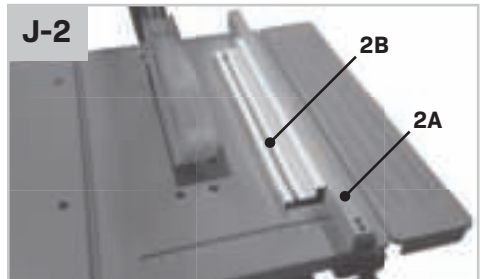
J-1



I-2



J-2



1. SAFETY INSTRUCTIONS

Read the enclosed safety warnings, the additional safety warnings and the instructions. Failure to follow the safety warnings and the instructions may result in electric shock, fire and/or serious injury. Save the safety warnings and the instructions for future reference.

The following symbols are used in the user manual or on the product:



Read the user manual.



Denotes risk of personal injury, loss of life or damage to the tool in case of non-observance of the instructions in this manual.



Risk of electric shock.



Keep bystanders away.



Wear a dust protection.



Wear ear and eye protection.



Keep hands away from the cutting area while the power tool is running. Contact with the saw blade can lead to injuries.



Danger area! Keep hands, fingers or arms away from this area.



Class II machine - Double insulation - You don't need any earthed plug.



The product is in accordance with the applicable safety standards in the European directives.



Take note of the dimensions of the saw blade. The hole diameter must fit the tool spindle without play. If it is necessary to use reducers, ensure that the dimensions of the reducer are suitable for the base blade thickness and the saw blade hole diameter, as well as the tool spindle diameter.

Wherever possible, use the reducers provided with the saw blade. The saw blade diameter must match the information specified on the symbol.

GENERAL POWER TOOL SAFETY WARNINGS



WARNING! Read all safety warnings and all instructions. Failure to follow the warnings and instructions may result in electric shock, fire and/or serious injury.

Save all warnings and instructions for future reference.

The term "power tool" in the warnings refers to your mains-operated (corded) power tool or battery-operated (cordless) power tool.

1) Work area safety

- a) **Keep work area clean and well lit.** Cluttered or dark areas invite accidents.
- b) **Do not operate power tools in explosive atmospheres, such as in the presence of flammable liquids, gases or dust.** Power tools create sparks which may ignite the dust or fumes.
- c) **Keep children and bystanders away while operating a power tool.** Distractions can cause you to lose control.

2) Electrical safety

- a) **Power tool plugs must match the outlet. Never modify the plug in any way. Do not use any adapter plugs with earthed (grounded) power tools.** Unmodified plugs and matching outlets will reduce risk of electric shock.
- b) **Avoid body contact with earthed or grounded surfaces, such as pipes, radiators, ranges and refrigerators.** There is an increased risk of electric shock if your body is earthed or grounded.
- c) **Do not expose power tools to rain or wet conditions.** Water entering a power tool will increase the risk of electric shock.
- d) **Do not abuse the cord. Never use the cord for carrying, pulling or unplugging the power tool. Keep cord away from heat, oil, sharp edges or moving parts.** Damaged or entangled cords increase the risk of electric shock.
- e) **When operating a power tool outdoors, use an extension cord suitable for outdoor use.** Use of a cord suitable for outdoor use reduces the risk of electric shock.

- f) **If operating a power tool in a damp location is unavoidable, use a residual current device (RCD) protected supply.** Use of an RCD reduces the risk of electric shock.
- 3) Personal safety**
- a) **Stay alert, watch what you are doing and use common sense when operating a power tool. Do not use a power tool while you are tired or under the influence of drugs, alcohol or medication.** A moment of inattention while operating power tools may result in serious personal injury.
- b) **Use personal protective equipment. Always wear eye protection.** Protective equipment such as dust mask, non-skid safety shoes, hard hat, or hearing protection used for appropriate conditions will reduce personal injuries.
- c) **Prevent unintentional starting. Ensure the switch is in the off-position before connecting to power source and/or battery pack, picking up or carrying the tool.** Carrying power tools with your finger on the switch or energising power tools that have the switch on invites accidents.
- d) **Remove any adjusting key or wrench before turning the power tool on.** A wrench or a key left attached to a rotating part of the power tool may result in personal injury.
- e) **Do not overreach. Keep proper footing and balance at all times.** This enables better control of the power tool in unexpected situations.
- f) **Dress properly. Do not wear loose clothing or jewellery. Keep your hair, clothing and gloves away from moving parts.** Loose clothes, jewellery or long hair can be caught in moving parts.
- g) **If devices are provided for the connection of dust extraction and collection facilities, ensure these are connected and properly used.** Use of dust collection can reduce dust related hazards.
- h) **Do not let familiarity gained from frequent use of tools allow you to become complacent and ignore tool safety principles.** *A careless action can cause severe injury within a fraction of a second.*
- 4) Power tool use and care**
- a) **Do not force the power tool. Use the correct power tool for your application.** The correct power tool will do the job better and safer at the rate for which it was designed.
- b) **Do not use the power tool if the switch does not turn it on and off.** Any power tool that cannot be controlled with the switch is dangerous and must be repaired.
- c) **Disconnect the plug from the power source and/or the battery pack from the power tool before making any adjustments, changing accessories, or storing power tools.** Such preventive safety measures reduce the risk of starting the power tool accidentally.
- d) **Store idle power tools out of the reach of children and do not allow persons unfamiliar with the power tool or these instructions to operate the power tool.** Power tools are dangerous in the hands of untrained users.
- e) **Maintain power tools. Check for misalignment or binding of moving parts, breakage of parts and any other condition that may affect the power tool's operation. If damaged, have the power tool repaired before use.** Many accidents are caused by poorly maintained power tools.
- f) **Keep cutting tools sharp and clean.** Properly maintained cutting tools with sharp cutting edges are less likely to bind and are easier to control.
- g) **Use the power tool, accessories and tool bits etc. in accordance with these instructions, taking into account the working conditions and the work to be performed.** Use of the power tool for operations different from those intended could result in a hazardous situation.
- h) **Keep handles and grasping surfaces dry, clean and free from oil and grease.** Slippery handles and grasping surfaces do not allow for safe handling and control of the tool in unexpected situations.
- 5) Battery tool use and care**
- a) **Recharge only with the charger specified by the manufacturer.** A charger that is suitable for one type of battery pack may create a risk of fire when used with another battery pack.
- b) **Use power tools only with specifically designated battery packs.** Use of any other battery packs may create a risk of injury and fire.
- c) **When battery pack is not in use, keep it away from other metal objects, like paper clips, coins, keys, nails, screws or other small metal objects that can make a connection from one terminal to another.** Shorting the battery terminals together may cause burns or a fire.
- d) **Under abusive conditions, liquid may be ejected from the battery; avoid contact. If contact accidentally occurs, flush with water. If liquid contacts eyes, additionally seek medical help.** Liquid ejected from the battery may cause irritation or burns.
- e) **Do not use a battery pack or tool that is dama-**

ged or modified. Damaged or modified batteries may exhibit unpredictable behaviour resulting in fire, explosion or risk of injury.

- f) **Do not expose a battery pack or tool to fire or excessive temperature.** Exposure to fire or temperature above 130 °C may cause explosion. NOTE The temperature „130 °C“ can be replaced by the temperature „265 °F“.
- g) **Follow all charging instructions and do not charge the battery pack or tool outside the temperature range specified in the instructions.** Charging improperly or at temperatures outside the specified range may damage the battery and increase the risk of fire.
- 6) Service**
- a) **Have your power tool serviced by a qualified repair person using only identical replacement parts.** This will ensure that the safety of the power tool is maintained.
- b) **Never service damaged battery packs.** Service of battery packs should only be performed by the manufacturer or authorized service providers.

SPECIFIC SAFETY INSTRUCTIONS

ATTENTION! When using electric tools to protect against electric shock, injury and fire the following basic safety measures must be observed. Make sure to read all of these instructions before you use this power tool, keep the safety booklet and preserve it well for later reference.

1. Always keep your workplace clean and tidy.
 - An untidy workplace can lead to unwanted accidents.
2. Consider environmental influences.
 - Do not expose the power tool to rain.
 - Do not use the power tool in a damp or wet environment.
 - Make sure that your working space has sufficient lighting.
 - Do not use the power tool in areas where there is a fire or explosive hazard.
3. To protect yourself from an electric shock.
 - Avoid body contact with grounded parts (e.g. pipes, radiators, electric stoves, refrigerators etc.).
4. Keep other people away
 - Keep other people away especially children, do not let them touch your power tool or cable and keep the children away from your working area.
5. Store the unused power tools safely.
 - Unused power tools should be locked up or stored in a place that is dry and out of reach of children.
6. Do not overload your power tool.
 - You work better and safer in the specified power range.
7. Use the correct power tool.
 - Do not use low-power machines for heavy work
 - Do not use the power tool for purposes that they are not intended for. For example you cannot cut tree limbs or a log of wood using a hand saw.
8. Wear suitable clothing.
 - Do not wear loose clothing or jewelry; they can be caught in the moving parts.
 - When working outdoors non-skid footwear is recommended.
 - For long hair, wear a hairnet.
9. Use protective equipment.
 - Wear protective goggles
 - When doing work that generates dust, use a breathing mask.
10. Connect the vacuum device
 - If connection to the vacuum and catcher are available then you know that these are connected and properly used.
11. Do not use the cable for purposes that it is not intended for.
 - Do not use the cable to the connector to pull it out of the socket. Protect the cable from heat, oil and sharp edges.
12. Secure the power tool.
 - Use clamps or a vice to hold the power tool. It is safer than holding it with your hand.
13. Avoid an abnormal posture.
 - It ensures stability and keeps you balanced at all times.
14. Keep and maintain tools with care.
 - Keep the cutting tools sharp and clean, this ensures that you work better and that it is as safe as possible.
 - Follow the lubricating and tool changing instructions.
 - Check the connection cable of the power tool regularly and let a qualified expert repair any damages.
 - Check the extension cables regularly and replace them if they are damaged.
 - Keep the handles clean, dry and free of grease and oil.

15. Unplug the power tool from the power outlet.
 - When you are not using the power tool, when you conduct maintenance and when you change your tools such as blades, drills and cutters.
16. Do not leave the key inside the tool.
 - Before switching it on, make sure that keys and setup tools have been cleared
17. Avoid unintentionally switching the power tool on.
 - Verify that while connecting the plug into the socket that the power is off.
18. Use the extension cables while outdoors.
 - When using the power tool outdoors make sure to use the appropriate and approved labeled extension cable.
13. Regularly inspect the saw blade for any faults. Replace the saw blade if necessary.
14. Grease the new saw blade and clean the flanges before you assemble the new blade. Then assemble the blade in the correct direction and pull the flanges firmly using the central bolt.
15. Only use original flanges. All other types are not suitable.
16. Never work without the protective cap of the saw blade.
17. The moving part of the protective cap must also remain assembled.
18. Never grease the saw blade while it is rotating.
19. Always keep your hands removed from the track of the saw blades.

ADDITIONAL SAFETY INSTRUCTIONS

1. When using the saw blades with hard metal teeth (Carbon tipped) it is advisable to use blades with a negative or slightly positive cutting angle. Do not use any saw blades with deeply cut teeth. They can grip the protective cap.
2. Attention: First carefully assemble all the parts before starting work. Follow the procedure as indicated.
3. If you are not familiar with using such a machine, you would be better to be informed first by a professional, an instructor or by a technician.
4. Always clamp or press the workpiece firmly against the saw guide, before you carry out the process. The use of all possible clamping set-ups is preferable to using your hands.
5. Important: If you are holding the workpiece by hand for the process to be carried out, keep a minimum distance of 100 mm from the saw blade.
6. Always press the workpiece against the bench.
7. Keep the saw blade sharp and check regularly whether it rotates freely without abnormal vibrations. Replace the saw blade if necessary.
8. Allow the machine to rotate freely until it reaches the maximum number of revolutions, before you start the process.
9. Maintain the air inlets at the back and the bottom of the bench saw machine and electric motor for a longer machine life. Dust piles must be removed.
10. Always lock the different degree set-ups before you start processing.
11. Only buy suitable saw blades with a number of revolutions of at least 6000 revolutions per minute.
12. Only use the correct saw blade. Too small or too big saw blades are extremely dangerous.
20. Never pick up the workpiece by grasping with your hands along or behind the saw blade.
21. Ensure that the workpiece never touches the saw blade before the machine has been switched on.
22. Never process metal or stone sorts with this machine.
23. Use support aids in order to support long workpieces.
24. Never use the machine in a dangerous environment, where inflammable gases or fluids are present.
25. Never leave the machine unattended without first disconnecting it from the mains voltage.
26. If you hear abnormal noises, try to trace them or take the machine to a recognized fitter, or repair company.
27. If a part is broken or damaged, replace it or repair it immediately.
28. Never stand in the track of the saw blade but stand to the left or the right of the saw bench.
29. Your hands must likewise be placed next to the track of the saw blade.
30. Always use the push stick instead of your hands to push the wood through the saw.
31. Always place the wood at the front of the saw bench and then push it further back.
32. For mitring only the adjustable guide must be used and the fence must be removed.
33. Never use the fence as a linear measure for cutting off beams.
34. If the saw blade is locked: first switch off the machine before you attend to the fault.
35. Avoid workpieces hitting back in your direction by taking the following measures:
 - Always use sharp saw blades.
 - Do not saw too small workpieces.

- Never release the workpiece before it has been completely pushed through the saw.
- Always adjust the guide parallel to the saw blade.
- Never remove the saw protection.

36. Before you continue sawing, ensure that you are standing firmly and that your hands are in the required position.
37. Never use thinners to clean the machine. Only use a damp cloth for cleaning.
38. Do not use saw blades which are damaged or deformed.
39. Replace table insert when worn.
40. Only use saw blades specified by the manufacturer that are intended for working with wood or similar materials according to EN847-1.
41. Take care that the selection of the saw blade depends on the material to be cut.
42. Connect table saws to a dust-collecting device when sawing.
43. Use and correct adjustment of the riving knife
44. Use and correct adjustment of the upper saw blade guard.
45. Take care when slotting.

Make sure, when changing the saw blade, the blade width is not smaller and the main blade thickness of the saw blade is not greater than the thickness of the riving knife.

Wear personal protective equipment, these could include:

- Hearing protection to reduce the risk of hearing loss
- Eye protection
- Inhale respiratory protection to reduce the risk of harmful dust
- Gloves when handling the blades and rough materials (recommendation, saw blades, are whenever practicable, carried in a container)



Warning! Do not use HSS blades.

- Insert the push stick in its holder when not in use.
- Use a push stick or a push block to guide the workpiece.



Warning! Do not use the saw for rebating or grooving.

- Only use saw blades, whose maximum speed is

at least the speed indicated on the saw and is suitable for the material to be cut.

- During the transport, the upper part of the saw blade has to be covered, by the guard.

Switch off the machine immediately when you discover:

- A defective mains plug or mains lead.
- A defective switch.
- Overheating of the machine.
- Smoke or odour caused by scorched insulation.

Electrical safety



Always check that the voltage of the power supply corresponds to the voltage on the rating plate.

- Do not use the machine if the mains cable or the mains plug is damaged.
- Only use extension cables that are suitable for the power rating of the machine with a minimum thickness of 1.5 mm². If you use an extension cable reel, always fully unroll the cable.

Power supply

- The motor is fitted with an overload switch. If the table saw overloads, the overload switch switches the equipment off automatically to protect the table saw from overheating. If the overload switch triggers, switch off the table saw using the ON/OFF switch (8) and wait until the table saw cools down. Then press the ON/OFF switch (8) and restart the table saw.

2. MACHINE INFORMATION

Intended use

This power tool is intended as a stationary machine for making straight lengthways and crossways cuts in hard and soft wood free from foreign bodies such as nails, screws and mortar.

TECHNICAL SPECIFICATIONS

Model No.	TS501AC
Voltage	220-240V~
Frequency	50 Hz
Power input	1500W
No load speed	5000/min
Bevel angles	0° <-> +45°

Sawblade specifications:	
Diameter	Ø 210 mm
Base blade thickness	1.8 mm
Width of cut	2.8 mm
Bore diameter	Ø 30 mm
Number of teeth	40T
Max. workpiece height 90°	70 mm
Max. workpiece height 45°	45 mm
Thickness of the riving knife	2.0 mm
Weight	14.5 kg
Lpa (sound pressure level)	99.6 +3 dB(A)
Lwa (sound power level)	112.6 +3 dB(A)
Vibration value	<2.5 m/s ²

Vibration level

The vibration emission level stated in this instruction manual has been measured in accordance with a standardised test given in EN 60745; it may be used to compare one tool with another and as a preliminary assessment of exposure to vibration when using the tool for the applications mentioned

- using the tool for different applications, or with different or poorly maintained accessories, may significantly increase the exposure level.
- the times when the tool is switched off or when it is running but not actually doing the job, may significantly reduce the exposure level.

Protect yourself against the effects of vibration by maintaining the tool and its accessories, keeping your hands warm, and organizing your work patterns

DESCRIPTION

The numbers in the text refer to the diagrams on page 2-6.

1. Saw table with two rulers
- 2A. Parallel guide
- 2B. Guide extension
- 2C. Wing nuts
3. Extensions (2 pcs)
4. Dust extraction
5. Guard
6. Mitre guide
7. Push stick
8. On/off switch
9. 2 in 1 adjustment handle
10. Locking knob
11. Electric plug

12. Ruler sawblade angle
13. Extension support (4 pcs)
14. Wrenches (2 pcs)
15. Legs (4 pcs)
16. Long bolts with nuts (8 pcs)
17. Small bolts with nuts for extensions (8 pcs)
18. Dust extraction connection
19. Sawblade guard knob
20. Riving knife
21. Saw table inlay
- 22A. Cross strut long (2 pcs)
- 22B. Cross strut short (2 pcs)
23. Rubber feet (4 pcs)
24. Additional legs (2 pcs)
25. Small bolts with nuts for cross strut (16 pcs)
26. Small bolts with nuts for additional legs (4 pcs)
27. Connection vacuum cleaner
28. Fixing screw
29. Carriage-type bolts with nuts
30. Holder clips

3. ASSEMBLY

Assembly of the undercarriage (Fig A4)



First assemble all parts before firmly tightening all bolts.

- Put the machine upside down. Put a piece of cardboard underneath, so you don't damage the subsurface.
- Mount the legs (15) (4 pcs) with one extension support (13) (4 pcs) per leg on the four corners of the body, use longer bolts (16) with nuts (2 pcs per leg) (Fig.B1)
- Make sure the extension supports (13) are mounted in the same way as shown in Fig.B1
- Mount Cross strut long (22A) (2 pcs) between the legs on the front and back side of the machine. Use small bolts (25) with nuts (8 pcs).
- Mount Cross strut short (22B) (2 pcs) between the legs on both sides of the machine. Use small bolts (25) with nuts (8 pcs).
- Place the rubber feet (23) (4 pcs)
- Mount the additional legs (24) (2 pcs) on the backside of the machine, use small bolts (26) with nuts (4 pcs)

Assembly of the extensions (Fig B1)

Machine is still upside down

- Mount the extensions (3) (2 pcs) to the table, use small bolts (17) with nuts (4 pcs).

- Mount the extensions support (13) to the extensions (3), use small bolts (17) with nuts (4 pcs)
- Turn the machine back on its feet. Make sure the extensions are levelled with the table, by using the slots in the extensions supports.

Assembly of the riving knife (Fig A4, C)

- Remove the inlay (21) from the table, by using a screwdriver (Fig.G1).
- Loosen the fixing screw (28)(Fig.C1)
- Raise the riving knife until the depth between the saw table and the upper edge of the riving knife equals approx. 110mm (Fig.C2)
- The distance between the riving knife and the toothed rim of the saw blade must be between 3 and 5 mm (Fig.C3).
- The tip of the riving knife shall not be lower than 5 mm from the tooth peak, as shown in Fig.C3.

Attachment of the guard (Fig C4)

- Turn sawblade completely upwards (instructions for height adjustment see chapter 4).
- Pull the knob (19) of the guard (5) and place it over the riving knife (20) while pulling the knob.
- Release the knob and make sure the pin slides in the hole.
- Secure the guard by tightening the knob.

Assembly of the dust extraction (Fig. D)

- Assemble dust extraction like shown on Fig.D
- Attach the vacuum cleaner to the vacuum cleaner connection (27)(Fig.D)

Attachment of the parallel guide (Fig E)

- Attach the parallel guide (2A) on the right side off the saw blade on the table.
- Lock the guide down by pushing down the handle (Fig.E)

Attachment of the parallel guide holder (Fig. I)

The parallel guide can be stored using the holder clips (30). Mount the holder clips (30) using carriage-type bolts with nuts (29). The holders can be mounted as shown in Fig I1 or as shown in Fig I2.

Attachment of the mitre guide (Fig A1)

- Slide the guide in the slot of the table at the left side of the sawblade Fig.A1

Assemble or change the saw blade (Fig G)



First remove the plug from the mains before the saw blade is assembled or replaced.



The arrow marked on the saw blade, which indicates the direction of rotation, must point in the same direction as the arrow marked on the machine, the saw blade teeth must point downwards on the front of the saw.

- Remove the inlay (21) from the table, by using a screwdriver. Fig.G1
- Turn the saw blade completely upwards. (Instructions for height adjustment see chapter 4)
- Loosen the nut with the wrenches (14) (Fig.G2)
- Remove the nut and the outside flange from the sawblade axle. (Fig.G3)
- Slide the old saw blade over the saw blade axle and put on a new saw blade.
- Put the outside flange back on add the nut.
- Tighten the nut by using the wrenches.
- Put the inlay back in the table and tighten the screw.

4. OPERATION

Switching on/off (Fig A1)

- Press the switch into position '1' to put your machine into operation.
- To switch off the machine the same switch needs to be pressed to position '0'
- Always keep the mains cable away from moving parts.

Using the 2 in 1 handle, Adjust the angle and height of the saw blade (Fig A2)

Using the height adjustment

- Turn the handle (9) clockwise to raise the sawblade.
- Turn the handle counter clockwise to lower the sawblade.
- Make sure the saw blade is always approximately 2 mm higher than the total thickness of the material to be sawn.

Using the angle adjustment (Fig G4)

- Slightly loosen the knob(10)
- Press the handle(9) towards the machine and turn counter clockwise to adjust the sawblade in its angle.
- Fasten the knob(10)

Using the parallel guide (Fig A1, E, J1, J2)

The parallel guide (2A) is equipped with a guide extension (2B). The guide extension can be used in two different ways, depending on the thickness of the wood.

For thicker wood, the guide extension (2B) should be mounted as shown in figure J1.

For thinner wood, the guide extension (2B) should be mounted as shown in figure J2.

- Unlock the guide down by pushing the handle upwards (Fig.E)
- Slightly loosen the wing nuts (2C)
- Remove the guide extension (2B) from the parallel guide (2A) by sliding it away from the parallel guide
- Turn the guide extension to the desired position and slide it back onto the parallel guide
- Tighten the wing nuts (2C)

Working instructions

There are two types of sawing methods:

- Lengthwise sawing (Fig.H1)
Sawing the workpiece in the length of the wood grain
- Cross-cutting or cutting off, use the mitre guide (Fig.H2)
Sawing off the workpiece crosswise



For both sawing methods one of the fences must be used. Therefore never saw without a fence!

Attention! Before you start sawing, first check the following:

1. Is the saw blade secured?
2. Are all the locking handles secured?
3. Is the fence parallel to the saw blade?
4. Is the protective cap working properly?
5. Are you wearing safety goggles?
6. Is the saw blade not rubbing against anything?



It is absolutely necessary to take these points into consideration before you start work!

Lengthwise sawing

- Secure the fence to the correct measuring position and remove the cut-off guide from the bench carriage.
- Press the wood lightly towards the bench and let it glide against the cut-off fence.



Remain at least 3 cm. from the front of the saw blade before you switch on the motor. The side of the wood which is against the fence must be completely straight. Keep your hands at least 10 cm away from the saw track to be followed.

- Switch on the motor and wait until the saw blade has reached the maximum number of revolutions before you start sawing.
- While you press the wood against the bench and the fence, you can carefully push the wood through the saw blade without forcing it.
- Never pull the workpiece backwards. If necessary, switch off the motor first without altering the position of the workpiece.

Lengthwise sawing with a (vertical) mitre

This method is practically the same, except that the saw blade is placed at the angle required.



With this type of method the fence may only be along the righthand side of the sawblade.

Lengthwise sawing of narrow workpieces

Assume that this process is extremely dangerous.

Take all the necessary safety measures and continually push the workpiece through (until behind the saw blade) using a push stick instead of by hand.

Crosswise sawing

- Remove the fence and apply the cross-cut fence in the righthand carriage.
- Adjust the height of the saw blade (see lengthwise sawing).
- Press the workpiece against the cross-cut fence and keep at least 2,5 cm distance from the front of the saw blade.
- Switch on the motor and wait until the maximum number of revolutions has been reached.
- Press the workpiece against the fence and the bench. Carefully push the wood through the saw blade. Continue until behind the saw blade. Then switch off the motor and keep this position until the saw blade has stopped completely before you remove the wood.
- Never pull the wood back. If necessary, switch the motor off and keep the position until the saw blade has stopped completely.

Crosswise sawing with a vertical mitre

This method is practically the same, except that the saw blade is placed in the angle required.



Only place the cross-cut fence on the righthand side of the saw blade. Never saw too small pieces of wood. Never use your hands to carry out difficult operations.

Crosswise sawing with a horizontal mitre

With this method the cross-cut fence must be secured at the angle required. Keep the workpiece pressed firmly against the cross-cut fence and the bench before you start cutting off.

Transporting the table saw

Before transporting the bench saw, the following steps must be carried out:

- Pull the mains plug
- Turn the hand-wheel (9) (Fig. A2) in anticlockwise direction, lower the blade as much as possible
- Remove all accessories that cannot be mounted firmly to the power tool

If possible, place unused saw blades in an enclosed container for transport

- Wind the mains cable and bind it
- For lifting or transport, carry the main table (1) (Fig.A1)



The bench saw should always be carried by two persons in order to avoid back injuries.

5. MAINTENANCE



Before cleaning and maintenance, always switch off the machine and remove the mains plug from the mains.

Clean the machine casings regularly with a soft cloth, preferably after each use. Make sure that the ventilation openings are free of dust and dirt. Remove very persistent dirt using a soft cloth moistened with soapsuds. Do not use any solvents such as gasoline, alcohol, ammonia, etc. Chemicals such as these will damage the synthetic components.

ENVIRONMENT



Faulty and/or discarded electrical or electronic apparatus have to be collected at the appropriate recycling locations.

Only for EC countries

Do not dispose of power tools into domestic waste. According to the European Guideline 2012/19/EU for Waste Electrical and Electronic Equipment and its implementation into national right, power tools that are no longer usable must be collected separately and disposed of in an environmentally friendly way.

WARRANTY

VONROC products are developed to the highest quality standards and are guaranteed free of defects in both materials and workmanship for the period lawfully stipulated starting from the date of original purchase. Should the product develop any failure during this period due to defective material and/or workmanship then contact your VONROC directly.

The following circumstances are excluded from this guarantee:

- Repairs and/or alterations have been made or attempted to the machine by unauthorized service centers;
- Normal wear and tear;
- The tool has been abused, misused or improperly maintained;
- Non-original spare parts have been used.

This constitutes the sole warranty made by company either expressed or implied. There are no other warranties expressed or implied which extend beyond the face hereof, herein, including the implied warranties of merchantability and fitness for a particular purpose. In no event shall VONROC be liable for any incidental or consequential damages. The dealers remedies shall be limited to repair or replacement of nonconforming units or parts.

The product and the user manual are subject to change. Specifications can be changed without further notice.

1. SICHERHEITSANWEISUNGEN

Lesen Sie die beiliegenden Sicherheitsanweisungen, die zusätzlichen Sicherheitsanweisungen sowie diese Bedienungsanleitung sorgfältig durch. Bei Nichtbeachten der Sicherheitsanweisungen und der Bedienungsanleitung kann es zu einem Stromschlag, einem Brand und/oder schweren Verletzungen kommen. Bewahren Sie die Sicherheitsanweisungen und die Bedienungsanleitung zur künftigen Bezugnahme sicher auf.

Folgende Symbole werden im Benutzerhandbuch oder auf dem Produkt verwendet:



Benutzerhandbuch/Bedienungsanleitung lesen.



Lebens- und Verletzungsgefahr und Gefahr von Beschädigungen am Werkzeug/Gerät bei Nichteinhaltung der Anweisungen in dieser Bedienungsanleitung.



Gefahr eines Stromschlags.



Umstehende fernhalten.



Tragen Sie eine Staubschutzmaske.



Schutzbrille und Gehörschutz tragen.



Kommen Sie mit Ihren Händen nicht in den Sägebereich, während das Elektrowerkzeug läuft. Beim Kontakt mit dem Sägeblatt besteht Verletzungsgefahr.



Gefahrenbereich! Halten Sie möglichst Hände, Finger oder Arme von diesem Bereich fern.



Gerät der Schutzklasse II – schutzisoliert – kein Schutzkontakt erforderlich.



Das Produkt entspricht den geltenden Sicherheitsnormen der europäischen Richtlinien.



Beachten Sie die Abmessungen des Sägeblatts. Der Lochdurchmesser muss ohne Spiel zur Werkzeugspindel passen. Falls eine Verwendung von Reduzierstücken notwendig ist, achten Sie darauf, dass die Abmessungen des Reduzierstücks zur Stammblattdicke und zum Lochdurchmesser des Sägeblatts sowie zum Durchmesser der Werkzeugspindel passen. Verwenden Sie möglichst die mit dem Sägeblatt mitgelieferten Reduzierstücke. Der Sägeblattdurchmesser muss der Angabe auf dem Symbol entsprechen.

ALLGEMEINE SICHERHEITSHINWEISE



ACHTUNG! Lesen Sie alle Sicherheitshinweise und Anweisungen. Fehler bei der Einhaltung der nachstehend aufgeführten Anweisungen können elektrischen Schlag, Brand und/oder schwere Verletzungen verursachen.

Bewahren Sie diese Anweisungen gut auf.

Der nachfolgend verwendete Begriff „Elektrowerkzeug“ bezieht sich auf netzbetriebene Elektrowerkzeuge (mit Netzkabel) und auf akkubetriebene Elektrowerkzeuge (ohne Netzkabel).

1) Arbeitsplatz

- a) **Halten Sie Ihren Arbeitsbereich sauber und aufgeräumt.** Unordnung und unbeleuchtete Arbeitsbereiche können zu Unfällen führen.
- b) **Arbeiten Sie mit dem Gerät nicht in explosionsgefährdeter Umgebung, in der sich brennbare Flüssigkeiten, Gase oder Staub befinden.** Elektrowerkzeuge erzeugen Funken, die den Staub oder die Dämpfe entzünden können.
- c) **Halten Sie Kinder und andere Personen während der Benutzung des Elektrowerkzeugs fern.** Bei Ablenkung können Sie die Kontrolle über das Gerät verlieren.

2) Elektrische Sicherheit

- a) **Der Anschlussstecker des Gerätes muss in die Steckdose passen. Der Netzstecker darf in keiner Weise verändert werden. Verwenden Sie**

keine Adapterstecker gemeinsam mit Schutzgeerdeten Geräten. Unveränderte Netzstecker und passende Steckdosen verringern das Risiko eines elektrischen Schlages.

- b) **Vermeiden Sie Körperkontakt mit geerdeten Oberflächen, wie von Rohren, Heizungen, Herden und Kühlschränken.** Es besteht ein erhöhtes Risiko durch elektrischen Schlag, wenn Ihr Körper geerdet ist.
 - c) **Halten Sie das Gerät von Regen oder Nässe fern.** Das Eindringen von Wasser in ein Elektrogerät erhöht das Risiko eines elektrischen Schlages.
 - d) **Zweckentfremden Sie das Netzkabel nicht, um das Gerät zu tragen, aufzuhängen oder um den Netzstecker aus der Steckdose zu ziehen. Halten Sie das Netzkabel fern von Hitze, Öl, scharfen Kanten oder sich bewegenden Geräteteilen.** Beschädigte oder verwickelte Netzkabel erhöhen das Risiko eines elektrischen Schlages.
 - e) **Wenn Sie mit einem Elektrowerkzeug im Freien arbeiten, verwenden Sie nur Verlängerungskabel, die auch für den Außenbereich zugelassen sind.** Die Anwendung eines für den Außenbereich geeigneten Verlängerungskabels verringert das Risiko eines elektrischen Schlages
 - f) **Wenn sich Arbeiten mit einem Elektrowerkzeug in feuchten Umgebungen nicht vermeiden lassen, verwenden Sie eine Stromversorgung mit einer Fehlerstrom-Schutzeinrichtung (RCD).** Durch die Verwendung einer RCD wird die Gefahr eines elektrischen Schlags verringert.
- 3) Sicherheit von Personen**
- a) **Seien Sie aufmerksam. Achten Sie darauf, was Sie tun, und gehen Sie mit Vernunft an die Arbeit mit einem Elektrowerkzeug. Benutzen Sie das Gerät nicht, wenn Sie müde sind oder unter dem Einfluss von Drogen, Alkohol oder Medikamenten stehen.** Ein Moment der Unachtsamkeit beim Gebrauch des Gerätes kann zu ernsthaften Verletzungen führen.
 - b) **Tragen Sie persönliche Schutzausrüstung und immer eine Schutzbrille.** Das Tragen persönlicher Schutzausrüstung, wie Staubmaske, rutschfeste Sicherheitsschuhe, Schutzhelm oder Gehörschutz, je nach Art und Einsatz des Elektrowerkzeuges, verringert das Risiko von Verletzungen.
 - c) **Vermeiden Sie eine unbeabsichtigte Inbetriebnahme. Vergewissern Sie sich, dass der Schalter in der Position „AUS(0)“ ist, bevor Sie den Netzstecker in die Steckdose stecken.** Wenn Sie beim

Tragen des Geräts den Finger am Schalter haben oder das Gerät eingeschaltet an die Stromversorgung anschließen, kann dies zu Unfällen führen,

- d) **Entfernen Sie Einstellwerkzeuge oder Schraubenschlüssel, bevor Sie das Gerät einschalten.** Ein Werkzeug oder Schlüssel, der sich in einem drehenden Geräteteil befindet, kann zu Verletzungen führen.
 - e) **Überschätzen Sie sich nicht. Sorgen Sie für einen sicheren Stand und halten Sie jederzeit das Gleichgewicht.** Dadurch können Sie das Gerät in unerwarteten Situationen besser kontrollieren.
 - f) **Tragen Sie geeignete Kleidung. Tragen Sie keine weite Kleidung oder Schmuck. Halten Sie Haare, Kleidung und Handschuhe fern von sich bewegenden Teilen.** Lockere Kleidung, Schmuck oder lange Haare können von sich bewegenden Teilen erfasst werden.
 - g) **Wenn Staubabsaug- und -auffangeinrichtungen montiert werden können, vergewissern Sie sich, dass diese angeschlossen sind und richtig verwendet werden.** Das Verwenden dieser Einrichtungen verringert Gefährdungen durch Staub.
 - h) **Achten Sie darauf, nicht durch häufigen Gebrauch von Werkzeugen nachlässig zu werden und die Prinzipien zum sicheren Umgang mit den Werkzeugen zu ignorieren.** Eine unachtsame Handlung kann innerhalb von Sekundenbruchteilen schwere Verletzungen verursachen.
- 4) Sorgfältiger Umgang und Gebrauch von Elektrowerkzeugen**
- a) **Überlasten Sie das Gerät nicht. Verwenden Sie für Ihre Arbeit das dafür bestimmte Elektrowerkzeug.** Mit dem passenden Elektrowerkzeug arbeiten Sie besser und sicherer im angegebenen Leistungsbereich.
 - b) **Benutzen Sie kein Elektrowerkzeug, dessen Schalter defekt ist.** Ein Elektrowerkzeug, das sich nicht mehr ein- oder ausschalten lässt, ist gefährlich und muss repariert werden.
 - c) **Ziehen Sie den Netzstecker aus der Steckdose, bevor Sie Geräteeinstellungen vornehmen, Zubehörteile wechseln oder das Gerät weglegen.** Diese Vorsichtsmaßnahme verhindert den unbeabsichtigten Start des Geräts.
 - d) **Bewahren Sie unbenutzte Elektrowerkzeuge außerhalb der Reichweite von Kindern auf. Lassen Sie Personen das Gerät nicht benutzen, die mit diesem nicht vertraut sind oder diese Anweisungen nicht gelesen haben.** Elektro-

werkzeuge sind gefährlich, wenn Sie von unerfahrenen Personen benutzt werden.

- e) **Pflegen Sie das Gerät mit Sorgfalt. Kontrollieren Sie, ob bewegliche Geräteteile einwandfrei funktionieren und nicht klemmen, ob Teile gebrochen oder so beschädigt sind, dass die Funktion des Gerätes beeinträchtigt ist. Lassen Sie beschädigte Teile vor dem Einsatz des Gerätes reparieren.** Viele Unfälle haben ihre Ursache in schlecht gewarteten Elektrowerkzeugen.
- f) **Halten Sie Schneidwerkzeuge scharf und sauber.** Sorgfältig gepflegte Schneidwerkzeuge mit scharfen Schneidkanten verklemmen sich weniger und sind leichter zu führen.
- g) **Verwenden Sie Elektrowerkzeug, Zubehör, Einsatzwerkzeuge usw. entsprechend diesen Anweisungen und so, wie es für diesen speziellen Gerätetyp vorgeschrieben ist. Berücksichtigen Sie dabei die Arbeitsbedingungen und die auszuführende Tätigkeit.** Der Gebrauch von Elektrowerkzeugen für andere als die vorgesehenen Anwendungen kann zu gefährlichen Situationen führen.
- h) **Halten Sie Griffe und Greifflächen immer trocken, sauber und frei von Öl und Fett.** Rutschige Griffe und Greifflächen verhindern in unerwarteten Situationen den sicheren Umgang mit dem Werkzeug und die richtige Kontrolle darüber.

5) Umgang mit Akkuwerkzeugen

- a) **Zum Laden ist ausschließlich das vom Hersteller angegebene Ladegerät zu verwenden.** Ein Ladegerät, das für eine Art von Akku geeignet ist, kann bei Verwendung mit einer anderen Art von Akku Brandgefahr verursachen.
- b) **Elektrowerkzeuge dürfen nur mit speziell dazu bestimmten Akkus verwendet werden,** da bei der Verwendung anderer Akkus Verletzungs- und Brandgefahr entstehen kann.
- c) **Wenn der Akku nicht in Gebrauch ist, ist er von Büroklammern, Münzen, Schlüssel, Nägel, Schrauben und anderen kleinen Metallobjekten fernzuhalten, die eine Verbindung zwischen den Polen bilden können.** Kurzschließen der Pole kann Brand oder Verbrennungen verursachen.
- d) **Bei falschem Umgang mit dem Akku kann Flüssigkeit aus dem Akku austreten. Die Berührung dieser Flüssigkeit ist zu vermeiden. Bei Berührung den betroffenen Körperteil mit Wasser abspülen. Bei Berührung der Flüssigkeit mit den Augen muss zusätzlich ärztliche Hilfe gerufen werden.** Die Akkuflüssigkeit kann

- Reizungen oder Verbrennungen verursachen.
- e) **Verwenden Sie keinesfalls Akkus und Werkzeuge, die beschädigt oder verändert wurden.** Beschädigte oder veränderte Akkus können ein unvorhersehbares Verhalten zeigen, das zu Feuer, Explosionen oder Verletzungsgefahren führt.
- f) **Setzen Sie Akkus oder Werkzeuge keinem Feuer oder übermäßigen Temperaturen aus.** Feuer oder Temperaturen über 130 °C können zu Explosionen führen. HINWEIS: Die Temperaturangabe „130 °C“ kann durch die Temperaturangabe „265 °F“ ersetzt werden.
- g) **Beachten Sie alle Hinweise zum Aufladen und laden Sie Akkus oder Werkzeuge nicht außerhalb der in der Anleitung angegebenen Temperaturbereiche auf.** Unsachgemäßes Aufladen oder Aufladen bei Temperaturen außerhalb des angegebenen Bereichs kann den Akku schädigen und die Brandgefahr erhöhen.

6) Service

- a) **Lassen Sie Ihre Werkzeuge durch einen qualifizierten Reparaturtechniker ausschließlich mit identischen Ersatzteilen warten.** So lässt sich eine gleich bleibende Sicherheit des Elektrowerkzeugs gewährleisten.
- b) **Beschädigte Akkus dürfen keinesfalls gewartet werden.** Die Wartung von Akkus darf nur vom Hersteller oder von Vertragswerkstätten durchgeführt werden

Spezifische Sicherheitshinweise

ACHTUNG! Beim Gebrauch von Elektrowerkzeugen sind zum Schutz gegen elektrischen Schlag, Verletzungs- und Brandgefahr folgende grundsätzliche Sicherheitsmaßnahmen zu beachten. Lesen Sie alle diese Hinweise, bevor Sie dieses Elektrowerkzeug benutzen, und bewahren Sie die Sicherheitshinweise gut auf.

- 1 Halten Sie Ihren Arbeitsbereich in Ordnung.
 - Unordnung im Arbeitsbereich kann Unfälle zur Folge haben.
- 2 Berücksichtigen Sie Umgebungseinflüsse
 - Setzen Sie Elektrowerkzeuge nicht dem Regen aus.
 - Benützen Sie Elektrowerkzeuge nicht in feuchter oder nasser Umgebung.
 - Sorgen Sie für gute Beleuchtung des Arbeitsbereichs.
 - Benutzen Sie Elektrowerkzeuge nicht, wo Brand-

oder Explosionsgefahr besteht.

- 3 Schützen Sie sich vor elektrischem Schlag
 - Vermeiden Sie Körperberührung mit geerdeten Teilen (z. B. Rohren, Radiatoren, Elektroherden, Kühlgeräten).
- 4 Halten Sie andere Personen fern
 - Lassen Sie andere Personen, insbesondere Kinder, nicht das Elektrowerkzeug oder das Kabel berühren. Halten Sie sie von Ihrem Arbeitsbereich fern.
- 5 Bewahren Sie unbenutzte Elektrowerkzeuge sicher auf
 - Unbenutzte Elektrowerkzeuge sollten an einem trockenen, hochgelegenen oder abgeschlossenen Ort, außerhalb der Reichweite von Kindern, abgelegt werden.
- 6 Überlasten Sie Ihr Elektrowerkzeug nicht
 - Sie arbeiten besser und sicherer im angegebenen Leistungsbereich.
- 7 Benutzen Sie das richtige Elektrowerkzeug
 - Verwenden Sie keine leistungsschwachen Maschinen für schwere Arbeiten.
 - Benutzen Sie das Elektrowerkzeug nicht für solche Zwecke, für die es nicht vorgesehen ist. Benutzen Sie zum Beispiel keine Handkreissäge zum Schneiden von Baumstäben oder Holz-scheiten.
- 8 Tragen Sie geeignete Kleidung
 - Tragen Sie keine weite Kleidung oder Schmuck, sie könnten von beweglichen Teilen erfasst werden.
 - Bei Arbeiten im Freien ist rutschfestes Schuhwerk empfehlenswert.
 - Tragen Sie bei langen Haaren ein Haarnetz.
- 9 Benutzen Sie Schutzausrüstung
 - Tragen Sie eine Schutzbrille.
 - Verwenden Sie bei stauberzeugenden Arbeiten eine Atemmaske.
- 10 Schließen Sie die Staubabsaug-Einrichtung an
 - Falls Anschlüsse zur Staubabsaugung und Auffangeinrichtung vorhanden sind, überzeugen Sie sich, dass diese angeschlossen und richtig benutzt werden.
- 11 Verwenden Sie das Kabel nicht für Zwecke, für die es nicht bestimmt ist
 - Benützen Sie das Kabel nicht, um den Stecker aus der Steckdose zu ziehen. Schützen Sie das Kabel vor Hitze, Öl und scharfen Kanten.
- 12 Sichern Sie das Werkstück
 - Benützen Sie Spannvorrichtungen oder einen Schraubstock, um das Werkstück festzuhalten.

Es ist damit sicherer gehalten als mit Ihrer Hand.

- 13 Vermeiden Sie abnormale Körperhaltung
 - Sorgen Sie für sicheren Stand und halten Sie jederzeit das Gleichgewicht.
- 14 Pflegen Sie Ihre Werkzeuge mit Sorgfalt
 - Halten Sie die Schneidwerkzeuge scharf und sauber, um besser und sicherer arbeiten zu können.
 - Befolgen Sie die Hinweise zur Schmierung und zum Werkzeugwechsel.
 - Kontrollieren Sie regelmäßig die Anschlussleitung des Elektrowerkzeugs und lassen Sie diese bei Beschädigung von einem anerkannten Fachmann erneuern.
 - Kontrollieren Sie Verlängerungsleitungen regelmäßig und ersetzen Sie diese, wenn sie beschädigt sind.
 - Halten Sie Handgriffe trocken, sauber und frei von Öl und Fett.
- 15 Ziehen Sie den Stecker aus der Steckdose
 - Bei Nichtgebrauch des Elektrowerkzeugs, vor der Wartung und beim Wechsel von Werkzeugen wie z. B. Sägeblatt, Bohrer, Fräser.
- 16 Lassen Sie keine Werkzeugschlüssel stecken
 - Überprüfen Sie vor dem Einschalten, dass Schlüssel und Einstellwerkzeuge entfernt sind.
- 17 Vermeiden Sie unbeabsichtigten Anlauf
 - Vergewissern Sie sich, dass der Schalter beim Einstecken des Steckers in die Steckdose ausgeschaltet ist.
- 18 Benutzen Sie Verlängerungskabel für den Außenbereich
 - Verwenden Sie im Freien nur dafür zugelassene und entsprechend gekennzeichnete Verlängerungskabel.

ZUSÄTZLICHE SICHERHEITSHINWEISE

1. Bei Sägeblättern mit Zähnen aus Hartmetall empfiehlt sich die Anwendung von Blättern mit einem negativen oder geringfügig positiven Schnittwinkel zu verwenden. Verwenden Sie keine Sägeblätter mit tief ausgeschnittenen Zähnen. Diese können die Schutzhaube erfassen.
2. Achtung: Montieren Sie zuerst sorgfältig alle Teile, bevor Sie mit der Arbeit beginnen. Befolgen Sie die angegebenen Arbeitsschritte.
3. Sollten Ihnen der Umgang mit einer derartigen Maschine nicht vertraut sein, ist anzuraten, daß Sie sich vorher von einem Fachmann, Lehrunterweiser oder Techniker beraten lassen.
4. Klemmen oder drücken Sie das Werkstück im-

- mer kräftig gegen die Sägeschiene, bevor Sie es bearbeiten. Es ist immer besser, irgendwelche Klemmvorrichtungen als die bloßen Hände zu verwenden.
5. Wichtig: Bei Arbeiten mit der bloßen Hand ist immer ein Mindestabstand von 100 mm zum Sägeblatt einzuhalten.
 6. Drücken Sie das Werkstück immer gegen den Tisch.
 7. Sorgen Sie dafür, daß das Sägeblatt scharf ist und kontrollieren Sie regelmäßig, ob es sich frei und ohne zu vibrieren dreht. Wechseln Sie das Sägeblatt gegebenenfalls aus.
 8. Lassen Sie die Maschine unbelastet laufen, bis sie die höchste Drehzahl erreicht hat, bevor Sie mit der Bearbeitung beginnen.
 9. Halten Sie die Lüftungsschlitze an der Rückseite und der Unterseite der Tischsäge und des Elektromotors sauber. Dadurch gewährleisten Sie eine längere Lebensdauer der Maschine Staubansammlungen müssen vermieden werden.
 10. Arretieren Sie das Sägeblatt immer in dem jeweiligen Winkel, bevor Sie mit der Bearbeitung beginnen.
 11. Kaufen Sie nur geeignete Sägeblätter, die für eine Drehzahl von mindestens 6000 Umdrehungen pro Minute ausgelegt sind.
 12. Verwenden Sie nur geeignete Sägeblätter. Die Verwendung von zu kleinen oder zu großen Sägeblätter ist äußerst gefährlich.
 13. Kontrollieren das Sägeblatt regelmäßig auf eventuelle Fehler. Wechseln Sie das Sägeblatt gegebenenfalls aus.
 14. Entfetten Sie ein neues Sägeblatt und reinigen Sie die Flansche, bevor Sie das neue Sägeblatt montieren. Montieren Sie das Blatt anschließend in der richtigen Position und ziehen Sie die Flansche mit der zentralen Schraube fest an.
 15. Verwenden Sie nur originale Flansche. Alle anderen sind nicht geeignet.
 16. Arbeiten Sie niemals ohne die Schutzhaube des Sägeblatts.
 17. Der bewegliche Teil der Schutzhaube muß ebenfalls immer montiert sein.
 18. Schmieren Sie das Sägeblatt niemals während der Arbeit.
 19. Halten Sie Ihre Hände beim Zuführen des Werkstücks immer vom Sägeblatt fern.
 20. Greifen Sie niemals nach dem Werkstück, indem Sie mit den Händen neben oder hinter das Sägeblatt langen.
 21. Sorgen Sie dafür, daß das Werkstück nie am Sägeblatt anstößt, bevor die Maschine eingeschaltet wurde.
 22. Bearbeiten Sie niemals Teile aus Metall oder Stein mit dieser Maschine.
 23. Verwenden Sie Hilfsmittel, um längere Werkstücke zu abstützen.
 24. Arbeiten Sie mit der Maschine niemals in einer gefährlichen Umgebung, wie beispielsweise in der Nähe von leichtentzündlichen Gasen oder Flüssigkeiten.
 25. Lassen Sie die Maschine niemals unbeaufsichtigt, ohne zuvor die Netzspannung abzuschalten.
 26. Sollten Sie ungewöhnliche Geräusche hören, versuchen Sie die Ursache hierfür zu finden oder bringen Sie die Maschine zu einem anerkannten Installateur oder Reparaturbetrieb.
 27. Wechseln Sie beschädigte oder fehlerhafte Teile sofort aus oder reparieren Sie diese.
 28. Stellen Sie sich niemals in die Arbeitsstrecke des Sägeblatts; bleiben Sie immer links oder rechts vom Sägeblatt stehen.
 29. Sorgen Sie dafür, daß sich auch Ihre Hände immer neben der Arbeitsstrecke des Sägeblatts befinden.
 30. Schieben Sie ein Werkstück zum Schluss immer nur mit einem Pushstick und niemals mit der Hand weiter.
 31. Legen Sie das Holz immer auf die Vorderseite des Sägeblatts und schieben Sie es von dort aus weiter nach hinten.
 32. Zum Gehrungssägen verwendet man einige einstellbare Schienen und entfernt vorher die Längsführungsschiene.
 33. Verwenden Sie die Längsführungsschiene niemals als Längenmaß beim Abtrennen von Balken.
 34. Beim Blockieren des Sägeblatts: Schalten Sie die Maschine ab, bevor Sie die Störung beheben.
 35. Verhindern Sie, daß Werkstücke in Ihre Richtung zurückgeschlagen werden können, indem Sie:
 - Immer scharfe Sägeblätter verwenden;
 - Keine kleinen Werkstücke sägen;
 - Das Werkstück niemals loslassen, bevor es nicht vollständig durch die Säge geschoben wurde;
 - Die Schienen immer parallel zum Sägeblatt einstellen;
 - Den Sägeschutz niemals entfernen.
 36. Bevor Sie mit dem Sägen fortfahren, müssen

Sie sich vergewissern, daß Sie sicher stehen und Ihre Hände sich in der gewünschten Position befinden.

37. Verwenden Sie niemals Verdünnungsmittel, um die Maschine zu reinigen. Reinigen Sie die Maschine ausschließlich mit einem feuchten Tuch.
38. Verwenden Sie niemals beschädigte oder verbotene Sägeblätter.
39. Wechseln Sie ein verschlissenes Tischeinsatzstück aus.
40. Verwenden Sie nur vom Hersteller festgelegte Sägeblätter, die, wenn sie zum Bearbeiten von Holz oder ähnlichen Werkstoffen vorgesehen sind, EN 847-1 entsprechen.
41. Achten Sie darauf, dass das gewählte Sägeblatt für das zu sägende Material geeignet ist.
42. Schließen Sie die Tischsäge während des Betriebs an eine Staubsammelanlage an.
43. Benutzen Sie den Spaltkeil und korrigieren Sie dessen Einstellung.
44. Benutzen Sie die obere Sägeblatthaube und korrigieren Sie deren Einstellung.
45. Seien Sie vorsichtig beim Tauchsägen.

Achten Sie, beim Wechseln des Sägeblattes die Schnittbreite nicht kleiner und die Stammblattdicke des Sägeblatts nicht größer ist, als die Dicke des Spaltkeiles zu sein hat.

Tragen Sie persönliche Schutzausrüstung, diese könnte umfassen:

- Gehörschutz zur Verminderung des Risikos, schwerhörig zu werden.
- Augenschutz
- Atemschutz zur Verminderung des Risikos, gesundheitsschädlichen Staub einzatmen
- Handschuhe beim Handhaben der Sägeblätter und rauen Werkstoffen (Empfehlung, dass Sägeblätter, wann immer praktikabel, in einem Behältnis getragen werden.)



Warnung! Verwenden Sie keine aus Schnellarbeitsstahl gefertigten Sägeblätter.

- Stecken Sie den Schiebestock oder das Schiebehölz bei Nichtgebrauch in seinen Halter.
- Verwenden Sie einen Schiebestock oder ein Schiebehölz, um das Werkstück am Sägeblatt vorbei zu führen.



Warnung! Verwenden Sie die Säge nicht zum Falzen oder Nuten.

- Verwenden Sie nur Sägeblätter, deren maximale Drehzahl mindestens der auf der Säge angegebenen Drehzahl entspricht und die für das zu sägende Material geeignet sind.
- Während des Transports muss der obere Teil des Sägeblattes verdeckt sein, z.B. durch die Schutzhaube.

Das Gerät sofort Ausschalten:

- Überhitzung des Kreissäges.
- Störung im Netzstecker, dem Netzkabel oder Schnurbeschädigung.
- Defektem Schalter.
- Rauch oder Gestank verschmorter Isolation.

Elektrische Sicherheit



Achten Sie stets darauf, dass die Spannung der Stromversorgung mit der Spannung auf dem Typenschild übereinstimmt.

- Verwenden Sie die Maschine nicht, wenn das Netzkabel oder der Netzstecker beschädigt ist.
- Verwenden Sie nur Verlängerungskabel, die für die Leistungsaufnahme der Maschine geeignet sind und eine Mindestaderstärke von 1,5 mm² haben. Falls Sie eine Kabeltrommel verwenden, rollen Sie das Kabel immer vollständig ab.

Stromversorgung

- Der Motor ist mit einem Überlastschalter ausgestattet. Wenn der Tischkreissäge überlastet wird, schaltet der Überlastschalter den Motor automatisch aus, um den Tischkreissäge vor Überhitzung zu schützen. Wenn der Überlastschalter ausgelöst wird, schalten Sie den Tischkreissäge mit dem An-/ Ausschalter (8) aus und warten, bis er sich abgehühlt hat. Dann drücken Sie den An-/ Ausschalter (8) und lassen den Tischkreissäge erneut an.

2. ANGABEN ZUM WERKZEUG

Verwendungszweck

Dieses Werkzeug ist geeignet als stationäre Maschine zum Sägen von geraden Länge- und Querschnitten in hartem und weichen Holzarten die frei sind von Fremdkörpern wie Nägel, Schrauben und Mörtel.

TECHNISCHE DATEN

Modellnummer	TS501AC
Netzspannung	220-240V~
Frequenz	50 Hz
Leistung	1500W
Leerlaufdrehzahl	5000/min
Winkel für Schrägschnitt	0° <> +45°
Sägeblatt-Spezifikationen:	
Durchmesser	Ø 210 mm
Stammblattdicke	1.8 mm
Schnittbreite	2.8 mm
Bohrungsdurchmesser	Ø 30 mm
Zähnezahl	40T
Max. Werkstückhöhe bei 90°	70 mm
Max. Werkstückhöhe bei 45°	45 mm
Dicke des Sägeblatt-Körpers	2,0 mm
Gewicht	14,5 kg
Lpa (Schalldruckpegel)	99,6 +3 dB(A)
Lwa (Schalleistungspegel)	112,6 +3 dB(A)
Schwingung	<2,5 m/s ²

Vibrationsintensität

Die in dieser Bedienungsanleitung angegebene Vibrationsintensität wurde mit einem standardisierten Test gemäß EN 62841 gemessen. Anhand dieser Größe können Werkzeuge miteinander verglichen werden. Außerdem eignet sich diese Größe für eine erste Beurteilung der Vibrationsbelastung bei Verwendung des Werkzeugs für die angegebenen Anwendungszwecke.

- Bei Verwendung des Werkzeugs für andere Anwendungen oder mit anderem oder unzureichend gewartetem Zubehör kann sich die Vibrationsbelastung erheblich erhöhen.
- Wenn das Werkzeug ausgeschaltet ist, oder wenn es eingeschaltet ist, jedoch nicht genutzt wird, kann sich die Vibrationsbelastung erheblich verringern.

Schützen Sie sich vor den Auswirkungen der Vibration durch Wartung des Werkzeugs und des Zubehörs, halten Sie Ihre Hände warm, und organisieren Sie Ihren Arbeitsablauf.

BESCHREIBUNG

Die Buchstaben und Ziffern im folgenden Text verweisen auf die Abbildungen auf den Seiten 2 bis 6.

1. Säge Tisch mit zwei Messvorrichtungen
- 2A. Parallelführung
- 2B. Führungsverlängerung
- 2C. Flügelmuttern
3. Verlängerungen (2 St.)
4. Staubabsaugvorrichtung
5. Schutzvorrichtung
6. Gehungsführung
7. Schiebestock
8. Ein-/Ausschalter
9. 2-in-1-Einstellgriff
10. Arretierungsknopf
11. Stecker
12. Messvorrichtung für Sägeblattwinkel
13. Verlängerungsstützen (4 St.)
14. Schraubenschlüssel (2 St.)
15. Beine (4 St.)
16. Lange Schrauben mit Muttern (8 St.)
17. Kurze Schrauben mit Muttern für Verlängerungen (8 St.)
18. Anschluss für Staubabsaugvorrichtung
19. Knopf der Sägeblattschutzvorrichtung
20. Spaltmesser
21. Säge tischeinlage
- 22A. Querstrebe lang (2 St.)
- 22B. Querstrebe kurz (2 St.)
23. Gummifüße (4 St.)
24. Zusatzbeine (2 St.)
25. Kurze Schrauben mit Muttern für Querstrebe (16 St.)
26. Kurze Schrauben mit Muttern für Zusatzbeine (4 St.)
27. Anschluss für Staubsauger
28. Befestigungsschraube
29. Schlossschrauben mit Muttern
30. Halterclips

3. MONTAGE UND EINSTELLUNG**Montage des Unterwagens (Fig. A4)**

Montieren Sie zuerst alle Teile, bevor Sie alle Schrauben fest anziehen.

- Drehen Sie die Maschine auf den Kopf, legen Sie dabei ein Stück Pappe darunter, damit der Untergrund nicht beschädigt wird.
- Montieren Sie die Beine (15) (4 Stk.) mit einer

Verlängerungsstütze (13) (4 Stk.) pro Bein an den vier Ecken des Unterbaus; verwenden Sie dazu die längeren Schrauben (16) mit Muttern (2 Stk. pro Bein) (Fig. B1).

- Vergewissern Sie sich, dass die Verlängerungsstütze (13) wie in Fig. B1 gezeigt montiert ist.
- Montieren Sie die Querstrebe lang (22A) (2 Stück) zwischen den Beinen an der Vorder- und Rückseite der Maschine. Verwenden Sie kleine Schrauben (25) mit Muttern (8 St.).
- Montieren Sie die Querstrebe kurz (22B) (2 Stück) zwischen den Beinen an den beiden Seiten der Maschine. Verwenden Sie kleine Schrauben (25) mit Muttern (8 St.).
- Montieren Sie die GummifüÙe (23) (4 St.).
- Montieren Sie die Zusatzbeine (24) (2 St.) an der Rückseite der Maschine; verwenden Sie dazu kleine Schrauben (26) mit Muttern (4 St.).

Montage der Verlängerungen (Fig. B1)

Die Maschine steht weiterhin auf dem Kopf

- Montieren Sie die Verlängerungen (3) (2 Stk.) mit kleinen Schrauben (17) mit Muttern (4 Stk.) am Tisch.
- Montieren Sie die Verlängerungsstützen (13) mit kleinen Schrauben (17) mit Muttern (4 Stk.) an den Verlängerungen (3).
- Stellen Sie die Maschine wieder auf die FüÙe. Sorgen Sie dafür, dass die Verlängerungen bündig am Tisch ausgerichtet sind, indem Sie die Schlitzlöcher in den Verlängerungen verwenden.

Montage des Spaltmessers (Fig. A4, C)

- Entfernen Sie den Einsatz (21) vom Tisch. Benutzen Sie dazu einen Schraubendreher (Fig. G1).
- Lösen Sie die Befestigungsschraube (28) (Fig. C1)
- Heben Sie das Spaltmesser an, bis die Tiefe zwischen Säge Tisch und Oberkante des Spaltmessers ca. 110 mm beträgt (Fig. C2)
- Der Abstand zwischen Spaltmesser und Zahnkranz des Sägeblatts muss zwischen 3 und 5 mm liegen (Fig. C3).
- Die Spitze des Spaltmessers darf nicht weniger als 5 mm von der Zahnschneide entfernt sein, siehe Fig. C3

Montage der Schutzvorrichtung (Fig. C4)

- Drehen Sie das Sägeblatt komplett nach oben (Anleitung zur Höhenverstellung siehe Kapitel 4)
- Ziehen Sie den Knopf (19) der Schutzvorrichtung (5) über das Spaltmesser (20)

- Lassen Sie den Knopf los und achten Sie darauf, dass der Stift in das Loch gleitet
- Sichern Sie die Schutzvorrichtung, indem Sie den Knopf festziehen

Montage der Staubabsaugvorrichtung (Fig. D)

- Montieren Sie die Staubabsaugvorrichtung wie in Fig. D gezeigt
- Bringen Sie den Staubsauger an Anschluss für Staubsauger (27) an (Fig. D)

Montage der Parallelführung (Fig. E)

- Befestigen Sie die Parallelführung (2A) rechts vom Sägeblatt am Tisch.
- Verriegeln Sie die Führung in der unteren Position, indem Sie den Griff nach unten drücken (Fig. E)

Montage des Parallelführungshalters (Abb. I)

Die Parallelführung kann mit Hilfe der Halterclips (30) aufbewahrt werden. Montieren Sie die Halterclips (30) mit Hilfe der Schlossschrauben und Muttern (29) an. Die Halter können wie in Abb. I1 oder Abb. I2 gezeigt montiert werden.

Montage der Gehrungsführung (Fig. A1)

- Schieben Sie die Führung links vom Sägeblatt in den Schlitz des Tisches, siehe Fig. A1

Montage oder Austausch des Sägeblatts (Fig. G)



Ziehen Sie zuerst den Stecker aus der Steckdose, bevor Sie das Sägeblatt montieren oder auswechseln.



Der auf dem Sägeblatt eingezeichnete Pfeil weist auf die Drehrichtung hin. Es muss in die gleiche Richtung zeigen wie der auf der Maschine gekennzeichnete Pfeil, die Sägeblattzähne müssen vorne an der Säge nach unten zeigen

- Entfernen Sie den Einsatz (21) vom Tisch. Benutzen Sie dazu einen Schraubendreher. Fig. G1
- Drehen Sie das Sägeblatt ganz nach oben. (Anleitung zur Höhenverstellung siehe Kapitel 4)
- Lösen Sie die Mutter mit den Schraubenschlüsseln (14) (Fig. G2)
- Entfernen Sie die Mutter und den Außenflansch der Sägeblattachse. (Fig. G3)
- Schieben Sie das alte Sägeblatt über die Sägeblattachse und bringen Sie ein neues Sägeblatt an.
- Setzen Sie den Außenflansch wieder auf die

- Mutter auf.
- Ziehen Sie die Mutter mit den Schraubenschlüsseln fest.
- Setzen Sie den Tischeinsatz wieder ein und schrauben Sie ihn fest.

4. BEDIENUNG

Ein-/Ausschalten (Fig. A1)

- Drücken Sie den Schalter in die Position '1', um die Maschine in Betrieb zu nehmen.
- Um die Maschine auszuschalten, drücken Sie den gleichen Schalter auf die Position '0'.
- Halten Sie das Netzkabel immer von beweglichen Teilen fern.

Stellen Sie mit dem 2-in-1-Griff den Winkel und die Höhe des Sägeblatts ein (Fig. A2)

Verwendung der Höhenverstellung

- Drehen Sie den Griff (9) im Uhrzeigersinn, um das Sägeblatt anzuheben
- Drehen Sie den Griff gegen den Uhrzeigersinn, um das Sägeblatt zu senken
- Achten Sie darauf, dass das Sägeblatt immer ca. 2 mm höher ist als die Gesamtdicke des zu sägenden Materials.

Verwendung der Winkelverstellung (Fig. G4)

- Lösen Sie den Knopf (10) etwas
- Drücken Sie den Griff (9) zur Maschine und drehen Sie ihn gegen den Uhrzeigersinn, um den Winkel des Sägeblatts einzustellen.
- Befestigen Sie den Knopf (10) wieder

Verwendung der Parallelführung (Abb. A1, E, J1, J2)

Die Parallelführung (2A) ist mit einer Führungsverlängerung (2B) ausgestattet. Die Führungsverlängerung kann je nach Dicke des Holzes auf zwei verschiedene Weisen verwendet werden. Für dickeres Holz sollte die Führungsverlängerung (2B) wie in Abbildung J1 montiert werden. Für dünneres Holz sollte die Führungsverlängerung (2B) wie in Abbildung J2 montiert werden.

- Entriegeln Sie die Führung in der unteren Position, indem Sie den Griff nach oben drücken (Abb. E)
- Lösen Sie die Flügelmuttern (2C) etwas
- Entfernen Sie die Führungsverlängerung (2B) von der Parallelführung (2A), indem Sie sie von ihr wegschieben

- Drehen Sie die Führungsverlängerung in die gewünschte Position und schieben Sie sie auf die Parallelführung zurück
- Ziehen Sie die Flügelmuttern (2C) fest

Arbeitsanweisungen

Es gibt zwei verschiedene Sägemethoden:

- Längssägen (Fig. H1)
Das Werkstück wird der Länge nach durchgesägt, d. h. entlang der Faser.
- Quersägen oder Abtrennen; verwenden Sie dazu die Gehrungsführung (Fig. H2)
Das Werkstück wird quer durchgesägt



Für beide Sägemethoden muss eine der Führungen verwendet werden. Sägen Sie also niemals ohne Führung!

Achtung! Kontrollieren Sie vor dem Sägen immer zuerst folgendes:

1. Sitzt das Sägeblatt fest?
2. Sitzen alle Arretierungshebel fest?
3. Verläuft die Führungsschiene parallel zum Sägeblatt?
4. Funktioniert die Schutzhaube korrekt?
5. Tragen Sie eine Schutzbrille?
6. Stößt das Sägeblatt nicht an?



Es ist unbedingt erforderlich, diese Punkte zu kontrollieren, bevor Sie mit der Arbeit beginnen!

Längssägen

- Arretieren Sie die Führungsschiene in der richtigen Meßposition und entfernen Sie die Abtrennschiene aus dem Tischschlitten
- Schieben Sie das Holzstück leicht zum Tisch hin und lassen Sie es an der Abtrennschiene entlanggleiten.



Halten Sie mindestens 3 cm. Abstand von der Vorderseite des Sägeblatts, bevor Sie den Motor einschalten. Die Seite des Holzstücks, die an der Führungsschiene liegt, muß vollkommen gerade sein. Halten Sie Ihre Hände mindestens 10 cm. von der Schnittfläche fern.

- Schalten Sie den Motor ein und warten Sie, bis das Sägeblatt die höchste Drehzahl erreicht hat, bevor Sie mit dem Sägen beginnen.

- Während Sie das Holzstück gegen den Tisch und die Führungsschiene drücken, können Sie es mit leichtem Druck durch das Sägeblatt schieben.
- Ziehen Sie das Werkstück niemals nach hinten. Falls notwendig, schalten Sie zuerst den Motor ab, ohne die Position des Werkstücks zu verändern.

Längssägen mit (vertikaler) Gehrung

Diese Methode ist praktisch gesehen diesselbe, nur wird hierbei das Sägeblatt in dem gewünschten Winkel eingestellt.



Bei dieser methode darf die Führungsschiene nur an der rechten Seite des Sägeblatts angebracht sein.

Längssägen von schmalen Werkstücken



Bedenken Sie immer, daß diese Bearbeitung äußerst gefährlich ist.

Vorsorgemaßnahmen und schieben Sie das Werkstück immer mit einem Pushstick und nicht mit bloßen der Hand (bis hinter das Sägeblatt) durch.

Quersägen

- Entfernen Sie die Führungsschiene und setzen Sie die Querführungsschiene im rechten Schlitten ein.
- Stellen Sie die Höhe des Sägeblatts ein (siehe Längssägen).
- Drücken Sie das Werkstück gegen die Querführungsschiene und halten Sie einen Mindestabstand von 2,5 cm zur Vorderseite des Sägeblatts ein.
- Schalten Sie den Motor ein und warten Sie, bis die höchste Drehzahl erreicht ist.
- Drücken Sie das Werkstück gegen die Schiene und den Tisch. Schieben Sie das Holzstück mit leichtem Druck durch das Sägeblatt bis hinter das Sägeblatt. Schalten Sie anschließend den Motor aus und warten Sie, bis das Sägeblatt vollständig zum Stillstand gekommen ist, bevor Sie das Holzstück entfernen.
- Ziehen Sie das Holzstück niemals zurück. Falls notwendig, schalten Sie den Motor ab und warten Sie, ohne die Position zu verändern, bis das Sägeblatt vollständig stillsteht.

Quersägen mit vertikaler Gehrung

Diese Methode ist praktisch dieselbe, nur wird hierbei das Sägeblatt in dem gewünschten Winkel eingestellt.



Legen Sie die Querführungsschiene ausschließlich an die rechte Seite des Sägeblatts. Sägen Sie niemals zu kleine Holzstücke. Führen Sie schwierige Arbeiten niemals mit bloßen Händen aus.

Quersägen mit horizontalem Winkel

Bei dieser Methode müssen die Querführungsschienen im gewünschten Winkel arretiert werden. Drücken Sie das Werkstück kräftig gegen die Querführungsschiene und den Tisch, bevor Sie mit dem Abtrennen beginnen.

Transport der Tischsäge

Vor dem Transport der Tischsäge sind folgende Schritte zu beachten:

- Ziehen Sie zuerst den Stecker aus der Steckdose
- Drehen Sie den Höhegriff (9) (Fig A2) gegen den Uhrzeigersinn um das Sägeblatt so tief wie möglich zu senken.
- Entfernen Sie alle Zusätze die nicht sicher an der Tischsäge befestigt werden können

Wenn möglich bewahren Sie unbenutzte Sägeblätter in einem geschlossenen Behälter zum transportieren auf.

- Rollen Sie das Stromkabel auf und binden Sie es auf.
- Zum anheben oder transportieren tragen sie den Haupttisch (1) (Fig. A1)



Die Tischsäge soll immer von zwei Personen getragen werden um Rückenverletzungen zu vermeiden.

5. WARTUNG



Trennen Sie die Maschine vom Netz, wenn Sie am Mechanismus Wartungsarbeiten ausführen müssen.

Reinigen Sie das Werkzeuggehäuse regelmäßig mit einem weichen Lappen, vorzugsweise nach jeder Verwendung. Stellen Sie sicher, dass die Lüftungsöffnungen frei von Staub und Schmutz sind. Entfernen Sie anhaftenden Schmutz mit einem wei-

chen Lappen, der leicht mit Seifenwasser befeuchtet wurde. Verwenden Sie keine Lösungsmittel wie Benzin, Alkohol, Ammoniak usw., da Chemikalien dieser Art die Kunststoffteile beschädigen.

Am Produkt und am Benutzerhandbuch können Änderungen vorgenommen werden. Die technischen Daten können sich ohne Vorankündigung ändern.

UMWELTSCHUTZ



Schadhafte und/oder zu entsorgende elektrische oder elektronische Werkzeuge und Geräte müssen an den dafür vorgesehenen Recycling-Stellen abgegeben werden.

Nur für EG-Länder

Entsorgen Sie Elektrowerkzeuge nicht über den Hausmüll. Entsprechend der EU-Richtlinie 2012/19/EG über Elektro- und Elektronik-Altgeräte sowie der Umsetzung in nationales Recht müssen Elektrowerkzeuge, die nicht mehr im Gebrauch sind, getrennt gesammelt und umweltschonend entsorgt werden.

GARANTIE

VONROC-Produkte werden nach den höchsten Qualitätsstandards entwickelt und sind für den gesetzlich festgelegten Zeitraum, ausgehend von dem ursprünglichen Kaufdatum, garantiert frei von Fehlern in Material und Ausführung. Sollte das Produkt in diesem Zeitraum aufgrund von Material- und/oder Verarbeitungsmängeln Fehler aufweisen, wenden Sie sich bitte direkt an VONROC Kundendienst.

Folgende Umstände sind von der Garantie ausgeschlossen:

- Reparaturen und oder Änderungen an der Maschine, die durch nicht-autorisierte Servicestellen vorgenommen oder versucht wurden.
- Normale Abnutzung und Verschleiß.
- Das Werkzeug wurde übermäßig beansprucht, missbräuchlich verwendet oder falsch gewartet.
- Es wurden keine Original-Ersatzteile verwendet.

Dies stellt die einzige Gewährleistung des Unternehmens dar, sowohl ausdrücklich als auch implizit. Es gibt keine anderen ausdrücklichen oder stillschweigenden Garantien, die über das hier Genannte hinausgehen, einschließlich der stillschweigenden Garantien der Marktgängigkeit oder Eignung für einen bestimmten Zweck. In keinem Fall ist VONROC haftbar für Neben- oder Folgeschäden. Die Rechtsmittel des Händlers beschränken sich auf Reparatur oder Ersatz fehlerhafter Einheiten oder Teile.

1. VEILIGHEIDSVOORSCHRIFTEN

Lees de bijgesloten veiligheidswaarschuwingen, de aanvullende veiligheidswaarschuwingen en de instructies. Het niet opvolgen van de veiligheidswaarschuwingen kan elektrische schokken, brand en/of ernstig letsel tot gevolg hebben. Bewaar de veiligheidswaarschuwingen en instructies als naslagwerk voor later.

De volgende symbolen worden gebruikt in de gebruikershandleiding of op het product:



Lees de gebruikershandleiding.



Gevaar voor lichamelijk letsel, overlijden of schade aan de machine wanneer de instructies in deze handleiding niet worden opgevolgd.



Gevaar voor elektrische schokken.



Houd omstanders op afstand.



Draag een stofmasker.



Draag oog- en gehoorbescherming.



Houd uw handen uit de buurt van de plaats waar gezaagd wordt, terwijl het elektrische gereedschap aan staat. Bij aanraking van het zaagblad bestaat verwondingsgevaar.



Gevarezone! Houd handen, vingers of armen zo veel mogelijk hier uit de buurt.



Klasse II apparaat - Dubbel geïsoleerd - Een geaarde stekker is niet noodzakelijk.



Het product is in overeenstemming met de van toepassing zijnde veiligheidsnormen in de Europese richtlijnen.



Let op de afmetingen van het zaagblad. De gatdiameter moet zonder speling op de uitgaande as passen. Indien het gebruik van reduceerstukken nodig is, dient u erop te

letten dat de afmetingen van het reduceerstuk passen bij de zaagbladdikte en bij de gatdiameter van het zaagblad evenals bij de diameter van de uitgaande as. Gebruik indien mogelijk de met het zaagblad meegeleverde reduceerstukken. De zaagbladdiameter moet overeenkomen met de informatie op het symbool.

ALGEMENE VEILIGHEIDSVOORSCHRIFTEN



WAARSCHUWING! Lees alle veiligheidswaarschuwingen en alle instructies.

Het niet opvolgen van onderstaande instructies kan leiden tot een elektrische schok, brand en/of ernstig persoonlijk letsel.

Bewaar deze instructies goed.

De term "elektrisch gereedschap" in onderstaande waarschuwingen heeft betrekking op zowel apparatuur met een vaste elektriciteitskabel als op apparatuur met een accu (draadloze apparatuur).

1) Werkgebied

- Zorg voor een opgeruimde en goed verlichte werkomgeving.** Rommelige en donkere werkomgevingen leiden tot ongelukken.
- Gebruik elektrisch gereedschap nooit in een omgeving waar explosiegevaar bestaat, zoals in de nabijheid van ontvlambare vloeistoffen, gassen, dampen of andere stoffen.** Elektrische gereedschappen kunnen vonken veroorzaken, die deze stoffen tot ontbranding kunnen brengen.
- Wanneer u elektrisch gereedschap gebruikt, houd dan kinderen en omstanders op afstand.** Wanneer u wordt afgeleid, kunt u de controle over het gereedschap verliezen.

2) Elektrische veiligheid

- Stekkers van elektrische gereedschappen moeten probleemloos passen op het stopcontact. Breng nooit wijzigingen aan in of aan de stekker. Gebruik geen adapters voor geaarde elektrische gereedschappen.** Standaardstekkers en passende stopcontacten verkleinen de kans op een elektrische schok.
- Voorkom lichamelijk contact met geaarde oppervlakken van bijvoorbeeld pijpen, leidingen, radiatoren, fornuizen en koelkasten.** Wanneer

- uw lichaam geaard is, wordt de kans op een elektrische schok groter.
- c) **Stel elektrische gereedschappen nooit bloot aan regen of vocht.** Wanneer er water binnendringt in een elektrisch gereedschap, wordt de kans op een elektrische schok groter.
 - d) **Gebruik het snoer niet om het elektrisch gereedschap te dragen, te verplaatsen of de stekker uit het stopcontact te trekken. Bescherm het snoer tegen olie, warmte, scherpe randen en bewegende delen.** Beschadigde of vastzittende snoeren vergroten de kans op een elektrische schok.
 - e) **Wanneer u elektrische gereedschappen buiten gebruikt, gebruik dan een verlengkabel die geschikt is voor buitengebruik,** wordt de kans op een elektrische schok kleiner.
 - f) **Gebruik een aardlekbeveiliging (RCD) als niet te voorkomen is dat een powertool moet worden gebruikt in een vochtige omgeving.** Gebruik van een RCD vermindert het risico van elektrische schokken.
- 3) **Persoonlijke veiligheid**
 - a) **Blijf altijd alert, kijk goed wat u doet en gebruik uw gezonde verstand wanneer u een elektrisch gereedschap gebruikt. Gebruik geen elektrische gereedschappen wanneer u moe bent, of drugs, alcohol of medicijnen hebt gebruikt.** Eén moment van onachtzaamheid bij het gebruik van elektrische gereedschappen kan ernstige verwondingen tot gevolg hebben.
 - b) **Gebruik persoonlijke beschermingsmiddelen. Draag altijd een veiligheidsbril.** Een gepast gebruik van veiligheidsvoorzieningen, zoals een stof masker, speciale werkschoenen met antislipzolen, een veiligheidshelm en gehoorbescherming verkleinen de kans op persoonlijk letsel.
 - c) **Voorkom dat het gereedschap per ongeluk wordt gestart. Zorg dat de schakelaar op de UIT positie staat, voordat u de stekker in het stopcontact steekt.** Draag elektrisch gereedschap nooit met uw vinger op de schakelaar en steek ook nooit de stekker van ingeschakelde elektrische gereedschappen in het stopcontact: dit leidt tot ongelukken.
 - d) **Verwijder alle instel en andere sleutels uit het elektrisch gereedschap voordat u hem inschakelt.** Instel en andere sleutels aan een ronddraaiend onderdeel van het elektrisch gereedschap kunnen tot verwondingen leiden.
 - e) **Zorg dat u nooit uw evenwicht kunt verliezen; houd altijd twee voeten stevig op de vloer.** Hierdoor kunt u het elektrisch gereedschap in onverwachte situaties beter onder controle houden.
 - f) **Zorg dat u geschikte kleding draagt. Draag geen loshangende kleding of sieraden. Houd uw haar, kleding en handschoenen uit de buurt van bewegende delen.** Loshangende kleding, sieraden en lang haar kunnen vast komen te zitten in bewegende delen.
 - g) **Wanneer er voorzieningen zijn voor de aansluiting van stofafzuiginstallaties, zorg dan dat ze op de juiste wijze worden aangesloten en gebruikt.** Gebruik van deze voorzieningen vermindert de gevaren die door stof worden veroorzaakt.
 - h) **Denk niet dat doordat u gereedschap vaak gebruikt, u wel weet hoe het allemaal werkt en dat u de veiligheidsbeginselen voor het gebruik van het gereedschap wel kunt negeren.** Een onbezonnen actie kan in een fractie van een seconde ernstig letsel tot gevolg hebben.
- 4) **Gebruik en onderhoud van elektrisch gereedschap**
 - a) **Oefen geen overmatige kracht uit op elektrisch gereedschap. Gebruik het juiste gereedschap voor uw specifieke toepassing.** Met het juiste elektrische gereedschap voert u de taak beter en veiliger uit wanneer dit op de snelheid gebeurt waarvoor het apparaat is ontworpen.
 - b) **Gebruik nooit elektrisch gereedschap waarvan de AAN/UITschakelaar niet werkt.** Ieder elektrisch gereedschap dat niet kan worden in en uitgeschakeld met de schakelaar is gevaarlijk en moet worden gerepareerd.
 - c) **Trek de stekker uit het stopcontact voordat u wijzigingen aanbrengt aan elektrische gereedschappen, accessoires verwisselt of het elektrisch gereedschap opbergt.** Wanneer u zich aan deze preventieve veiligheidsmaatregelen houdt, beperkt u het risico dat het gereedschap per ongeluk wordt gestart.
 - d) **Berg elektrisch gereedschap dat niet in gebruik is op buiten bereik van kinderen en laat personen die niet bekend zijn met het gereedschap of deze instructies het apparaat niet gebruiken.** Elektrisch gereedschap is gevaarlijk in de handen van ongeïfde gebruikers.
 - e) **Zorg voor een goed onderhoud van elektrisch gereedschap. Controleer of bewegende delen op de juiste wijze zijn vastgezet. Controleer ook of er geen onderdelen defect zijn of dat er andere**

omstandigheden zijn die van invloed kunnen zijn op de werking van het gereedschap. Laat het gereedschap bij beschadigingen repareren vóór gebruik. Veel ongelukken worden veroorzaakt door slecht onderhoud van het gereedschap.

- f) **Zorg dat snij en zaagwerktuigen scherp en schoon blijven.** Goed onderhouden snij en zaagwerktuigen met scherpe randen zullen minder snel vastlopen en zijn eenvoudiger onder controle te houden.
 - g) **Gebruik alle elektrische gereedschappen, accessoires, bitjes etc., zoals aangegeven in deze instructies en op de wijze waarvoor het gereedschap is ontworpen. Houd daarbij rekening met de werkomstandigheden en de uit te voeren taak.** Gebruik van elektrisch gereedschap voor handelingen die afwijken van de taken waarvoor het apparaat is ontworpen kunnen leiden tot gevaarlijke situaties.
 - h) **Houd handgrepen en greepoppervlakken droog, schoon en vrij van olie en vet.** Gladde handgrepen en greepoppervlakken maken veilig werken en controle over het gereedschap in onverwachte situaties onmogelijk.
- 5) Gebruik en onderhoud accugereedschap**
- a) **Laad alleen op met de lader die door de fabrikant is gespecificeerd.** Een lader die voor een bepaalde accu geschikt is, kan brand veroorzaken wanneer deze met een andere accu wordt gebruikt.
 - b) **Gebruik elektrisch gereedschap alleen met de speciaal hiervoor bedoelde accu's.** Gebruik van andere accu's kan kans op letsel en brand geven.
 - c) **Wanneer de accu niet in gebruik is, houd deze dan uit de buurt van andere metalen voorwerpen zoals paperclips, munten, sleutels, spijkers, schroeven of andere kleine metalen voorwerpen die een verbinding tussen twee polen kunnen maken.** Kortsluiting tussen de accupolen kan brandwonden of brand veroorzaken.
 - d) **Wanneer de accu niet juist wordt gebruikt, kan er vloeistof uit lopen; raak dit niet aan. Wanneer dit per ongeluk wel gebeurt, spoel dan met water. Wanneer de vloeistof in de ogen komt, moet u een arts raadplegen.** De vloeistof uit de accu kan irritaties of brandwonden veroorzaken.
 - e) **Gebruiken niet een accu of gereedschap dat beschadigd is of gemodificeerd.** Beschadigde of gemodificeerde accu's kunnen onvoorspelbaar gedrag vertonen, wat brand, explosie of een risico van letsel met zich meebrengt.

- f) **Stel een accu over het gereedschap niet bloot aan open vuur of een uitzonderlijk hoge temperatuur.** Blootstelling aan vuur of een temperatuur hoger dan 130 °C, kan een explosie veroorzaken. NB De temperatuur van "130 °C" kan worden vervangen door de temperatuur van "265 °F".
- g) **Houd u aan alle instructies voor het laden en laad de accu of het gereedschap niet op buiten het temperatuurbereik dat in de instructies wordt aangeduid.** Op een onjuiste wijze laden of laden bij temperaturen buiten het aangeduide bereik kan de accu beschadigen en het risico van brand doen toenemen.

6) Service

- a) **Laat uw gereedschap onderhouden door een gekwalificeerde onderhoudstechnicus die alleen gebruikmaakt van identieke vervangingsonderdelen.** Dit zorgt ervoor dat de veiligheid van de powertool intact blijft.
- b) **Voer nooit servicewerkzaamheden uit aan beschadigde accu's.** Alleen de fabrikant of geautoriseerde service-providers mogen servicewerkzaamheden aan accu's uitvoeren.

SPECIFIEKE VEILIGHEIDSLINSTRUCTIES

Attentie! Om bij het gebruik van elektrisch gereedschap u te beschermen tegen elektrische schokken, schade en brand moeten de volgende basis veiligheidsmaatregelen worden nageleefd. Zorg ervoor dat u alle instructies leest voordat u het elektrische gereedschap gaat gebruiken, bewaar de veiligheidsinstructies zorgvuldig voor later gebruik.

1. Houd uw werkplek schoon en opgeruimd
 - Een rommelige werkplek kan leiden tot ongewenste ongelukken.
2. Denk aan invloeden van de omgeving.
 - Stel het elektrische gereedschap bloot aan regen.
 - Gebruik het elektrische gereedschap niet in een vochtige en natte omgeving.
 - Zorg er voor dat uw werkruimte voldoende verlicht is.
 - Gebruik het elektrische gereedschap niet in een omgeving waar sprake is van brand of explosie gevaar.
3. Om jezelf te beschermen tegen een elektrische schok.
 - Vermijd lichamelijk contact met geaarde delen(-bijvoorbeeld leidingen, radiatoren, elektrische

- fornuizen, koelkasten enz.)
4. Houd andere mensen uit de buurt.
 - Houd andere mensen en vooral kinderen uit de buurt van uw werkplek.
 5. Berg ongebruikt gereedschap veilig op.
 - Ongebruikt gereedschap dient te worden afgesloten of opgeslagen op een plaats die droog en buiten bereik van kinderen is.
 6. Overbelast uw elektrische gereedschap niet.
 - U werkt beter en veiliger in het aangegeven vermogensbereik.
 7. Gebruik het juiste gereedschap.
 - Gebruik geen machines met een laag vermogen voor zwaar werk.
 - Gebruik elektrisch gereedschap alleen voor de doeleinden waar ze voor bedoeld zijn. U kunt bijvoorbeeld geen boomstronken of een boomstammen zagen met een handzaag.
 8. Draag geschikte kleding.
 - Draag geen loszittende kleding of sierraden die verstrikt kunnen raken in bewegende delen.
 - Als u buiten werkt word antislip schoeisel aanbevolen.
 - Draag een haartje met lang haar.
 9. Gebruik beschermende uitrusting
 - Draag een veiligheidsbril
 - Bij werk waar stof vrij komt, gebruik dan een mondkapje.
 10. Sluit het afzuigstelsel aan.
 - Als het afzuigstelsel en de stofopvangzak beschikbaar zijn, sluit deze dan correct aan.
 11. Gebruik de kabel niet voor doeleinden waar het niet voor bedoeld is.
 - Gebruik de kabel niet om de stekker uit het stopcontact te trekken. Bescherm de kabel tegen hitte, olie en scherpe randen.
 12. Klem het gereedschap.
 - Gebruikklemmen of een bankschroef om het gereedschap vast te klemmen. Het is veiliger dan het vast te houden met uw handen.
 13. Vermijd een abnormale lichaamshouding
 - Het zorgt voor stabiliteit en behoud je balans.
 14. Gebruik en onderhoud uw gereedschap met zorg.
 - Houd de zaagbladen schoon en scherp dit verzekerd dat u beter en veiliger kunt werken.
 - Volg de smeer en gereedschap wissel instructies.
 - Controleer de voedingskabel van de machine regelmatig, en laat een gekwalificeerde expert schade herstellen.
 - Controleer de verlengsnoeren regelmatig en
- vervang de kabels als ze beschadigd zijn.
- Houd de handgrepen schoon, droog en vrij van vet en olie.
15. Haal het gereedschap uit het stopcontact.
 - Als u geen gebruik maakt van het gereedschap, wanneer u onderhoud wilt uitvoeren en wanneer u opzetstukken wil wisselen, zoals messen boren en frezen.
 16. Laat de instel sleutel niet in het gereedschap zitten.
 - Controleer dat de instel sleutel en ander gereedschap verwijderd zijn, voordat u de machine aanzet.
 17. Vermijd onbedoeld aanzetten van het apparaat.
 - Controleer dat tijdens het aansluiten van de machine in het stopcontact dat het apparaat uit staat.
 18. Gebruik van de verlengsnoeren buitenshuis.
 - Zorg er voor dat de juiste en goedgekeurde verlengsnoeren worden gebruikt bij het buiten gebruiken van elektrisch gereedschap.

AANVULLENDE VEILIGHEIDSINSTRUCTIES

1. Bij gebruik van zaagbladen met hardmetalen tanden is het aangeraden bladen met negatieve of matig positieve snijhoek te gebruiken. Gebruik geen zaagbladen met diep uitgesneden tanden. Deze kunnen de beschermkap grijpen.
2. Opgepast: Monteer eerst zorgvuldig alle onderdelen alvorens het werk te starten. Volg de procedure zoals aangegeven.
3. Indien u niet vertrouwd bent met het gebruiken van een dergelijke machine, kunt u zich beter eerst laten inlichten door vaklui, een instructeur of door een technicus.
4. Altijd het werkstuk stevig tegen de zaaggeleider klemmen of aandrukken, alvorens u de bewerking uitvoert. Het gebruik van alle mogelijke kleminrichtingen heeft de voorkeur boven het gebruik met de handen.
5. Belangrijk: Wordt er bij de uit te voeren bewerking met de hand vastgehouden, gebruik dan een minimale afstand van 100 mm van het zaagblad.
6. Druk het werkstuk altijd tegen de tafel.
7. Houd het zaagblad scherp en controleer regelmatig of het vrij ronddraait zonder abnormale trillingen. Vervang het zaagblad indien mogelijk.
8. Laat de machine vrij draaien tot het maximum toerental bereikt is, voordat met de bewerking wordt begonnen.
9. Onderhoud de luchtinlaten aan de achterkant en de onderkant van de tafelzaagmachine en elek-

- tromotor, dit voor het behoud van de machine. Stofophopingen dienen te worden vermeden.
10. Vergrendel steeds de verschillende gradeninstellingen voordat u begint met het bewerken.
 11. Koop alleen aangepaste zaagbladen met een toerental van minimaal 6000 t.p.m.
 12. Maak alleen gebruik van het juiste zaagblad. Te kleine of te grote zaagbladen zijn uitermate gevaarlijk.
 13. Inspecteer regelmatig het zaagblad op eventuele mankementen. Vervang het zaagblad indien nodig.
 14. Ontvet het nieuwe zaagblad en reinig de flenzen voordat u het nieuwe blad monteert. Monteer het blad daarna in de juiste richting en trek de flenzen hard aan door middel van de centrale bout.
 15. Alleen originele flenzen gebruiken. Alle anderen zijn niet aangepast.
 16. Werk nooit zonder de beschermkap van het zaagblad.
 17. Ook het bewegende gedeelte van de beschermkap dient gemonteerd te blijven.
 18. Het zaagblad nooit smeren terwijl het draait.
 19. Altijd de handen verwijderd houden uit het traject van het zaagblad.
 20. Nooit een werkstuk oprapen door met de handen langs, of achter het zaagblad te grijpen.
 21. Zorg dat het werkstuk nooit tegen het zaagblad aankomt, voordat de machine aangezet is.
 22. Bewerk nooit metaal of steensoorten met deze machine.
 23. Gebruik steunmiddelen om lange werkstukken te ondersteunen.
 24. Gebruik de machine nooit in een gevaarlijke omgeving, daar waar ontbrandbare gassen of vloeistoffen aanwezig zijn.
 25. Nooit de machine onbeheerd achterlaten zonder deze eerst van het stroomnet te ontkoppelen.
 26. Hoort u abnormale geluiden, probeer deze dan op te sporen of breng de machine naar een erkend installateur of reparatiebedrijf.
 27. Als een onderdeel gebroken of beschadigd is, vervang of repareer dit onmiddellijk.
 28. Plaats uzelf nooit in het traject van het zaagblad maar ga links of rechts van de zaagtafel staan.
 29. De handen moeten eveneens naast het traject van het zaagblad geplaatst worden.
 30. Duw het te zagen materiaal altijd met een push-tick langs de zaag, gebruik nooit uw handen.
 31. Plaats het hout altijd aan de voorzijde van de zaagtafel en duw het dan verder naar achteren.
 32. Bij verstekzagen gebruikt men enkel de regelbare geleider en verwijdert men de langsgeleider.
 33. Gebruik nooit de langsgeleider als lengtemaat bij het afkorten van balken.
 34. Bij blokkage van het zaagblad: eerst het toestel uitschakelen voordat u het defect gaat verhelpen.
 35. Vermijd dat werkstukken in uw richting teruggeslagen worden door:
 - Steeds scherpe zaagbladen te gebruiken.
 - Niet zagen van te kleine werkstukken.
 - Nooit los laten van uw werkstuk voordat het volledig door de zaag is geduwd.
 - De geleider steeds parallel aan het zaagblad instellen.
 - Nooit de zaagbeveiliging wegnemen.
 36. Zorg voordat u het zaagwerk hervat, dat u stevig staat en dat de handen in de gewenste positie staan.
 37. Gebruik nooit verdunningsmiddelen om de machine te reinigen. Gebruik voor het reinigen enkel een vochtige doek.
 38. Gebruik geen beschadigde of vervormde zaagbladen.
 39. Vervang een versleten tafelinlegstuk.
 40. Gebruik alleen door fabrikant voorgeschreven zaagbladen geschikt voor hout of vergelijkbaar materiaal volgens EN 847-1.
 41. Gebruik voor elke te zagen materiaalsoort het juiste zaagblad.
 42. Sluit uw tafelzaag tijdens het zagen altijd op een afzuiginstallatie aan.
 43. Zorg dat het spouwmes altijd goed is afgesteld.
 44. Stel de afscherming van het zaagblad altijd correct af.
 45. Wees voorzichtig bij het maken van gleuven.
- Let er bij het wisselen van het zaagblad op dat de zaagbreedte niet kleiner en de bladdikte van het zaagblad niet groter is dan de dikte van het spouwmes.
- Draag persoonlijke beschermingsmiddelen:
- Gehoorbescherming om het risico van gehoorbeschadiging te verkleinen
 - Bescherming van de ogen
 - Mondkapje om het risico van schadelijk stof tegen te gaan
 - Handschoenen bij het hanteren van de messen en de ruwe materialen



Waarschuwing! Gebruik geen HSS zaagbladen.

- Steek de push-stick bij niet gebruik in de houder.
- Gebruik een push-stick om het werkstuk voorbij het zaagblad te duwen.



Waarschuwing! Gebruik de zaag niet voor spanningen of groeven.

- Gebruik uitsluitend zaagbladen, met een maximumsnelheid van tenminste de snelheid van de zaagmachine dat geschikt is voor het te zagen materiaal.
- Tijdens het transport, moet het bovenste deel van het zaagblad worden beschermd door de kap.

De machine onmiddellijk uitzetten bij:

- Defecte netstekker, netsnoer of snoerbeschadiging.
- Defecte schakelaar.
- Oververhitting van de machine
- Rook of stank van verschroeide isolatie.

Elektrische veiligheid



Controleer altijd of de spanning van de stroomtoevoer overeenkomt met de spanning op het typeplaatje.

- Gebruik de machine niet indien het netsnoer of de netstekker zijn beschadigd.
- Gebruik uitsluitend verlengkabels die geschikt zijn voor het vermogen van de machine met een minimale dikte van 1,5 mm². Indien u een verlengkabelhaspel gebruikt, rol dan altijd de kabel volledig uit.

Voeding

- De motor is uitgerust met een overbelastingsschakelaar. Wanneer de tafelzaag overbelast, schakelt de overbelastingsschakelaar de compressor automatisch uit om deze te beschermen tegen oververhitting. Wanneer de overbelastingsschakelaar inschakelt, schakel de tafelzaag dan uit met de AAN/UIT schakelaar (8), totdat de tafelzaag is afgekoeld. Druk hierna op de AAN/UIT schakelaar (8) en herstart de tafelzaag.

2. TECHNISCHE INFORMATIE

Bedoeld gebruik

Dit elektrische gereedschap is bedoeld als stationaire machine voor het maken van langs en dwarszaagsnedes in zacht en hard hout dat vrij is van vervuiling als spijkers, schroeven en beton.

TECHNISCHE SPECIFICATIES

Model nr	TS501AC
Spanning	220-240V~
Frequentie	50 Hz
Vermogen	1500W
Onbelaste snelheid	5000/min
Hoek voor afschuiven	0° <> +45°
Zaagblad specificaties:	
Diameter	Ø 210 mm
Bladdikte	1,8 mm
Zaagbreedte	2,8 mm
Asgatdiameter	Ø 30 mm
Aantal tanden	40T
Max. werkstukhoogte bij 90°	70 mm
Max. werkstukhoogte bij 45°	45 mm
Dikte spouwmes	2,0 mm
Gewicht	14,5 kg
Lpa (Geluidsdruk)	99,6 +3 dB(A)
Lwa (Geluidsvermogen)	112,6 +3 dB(A)
Trillingsniveau	<2,5 m/s ²

Trillingsniveau

Het trillingsemissieniveau, dat in deze gebruiksaanwijzing wordt vermeld, is gemeten in overeenstemming met een gestandaardiseerde test volgens EN 60745; deze mag worden gebruikt om twee machines met elkaar te vergelijken en als voorlopige beoordeling van de blootstelling aan trilling bij gebruik van de machine voor de vermelde toepassingen.

- Het gebruik van de machine voor andere toepassingen, of met andere of slecht onderhouden accessoires, kan het blootstellingsniveau aanzienlijk verhogen.
- Wanneer de machine is uitgeschakeld of wanneer deze loopt maar geen werk verricht, kan dit het blootstellingsniveau aanzienlijk reduceren.

Bescherm uzelf tegen de gevolgen van trilling door de machine en de accessoires te onderhouden, uw handen warm te houden en uw werkwijze te organiseren.

BESCHRIJVING

De nummers in de tekst verwijzen naar de diagrammen op pagina 2-6.

1. Zaagtafel met twee linialen
- 2A. Parallele geleider
- 2B. Geleiderverlengstuk
- 2C. Vleugelmoeren
3. Verlengstukken (2 st.)
4. Stofafzuiging
5. Beschermkap
6. Verstekgeleider
7. Duwstok
8. Aan/Uit-schakelaar
9. 2-in-1 afstellingshandgreep
10. Vergrendelknop
11. Elektrische steker
12. Liniaal voor zaaghoek
13. Steun voor verlengstukken (4 st.)
14. Steeksleutels (2 st.)
15. Poten (4 st.)
16. Lange bouten met moeren (8 st.)
17. Kleine bouten met moeren voor verlengstukken (8 st.)
18. Aansluiting stofafzuiging
19. Knop zaagbladbeschermkap
20. Spouwmes
21. Zaagtafelinzetstuk
- 22A. Dwaarsstaander lang (2 st.)
- 22B. Dwaarsstaander kort (2 st.)
23. Rubberen voeten (4 st.)
24. Extra poten (2 st.)
25. Kleine bouten met moeren voor dwarsbalk (16 st.)
26. Kleine bouten met moeren voor extra poten (4 st.)
27. Aansluiting stofzuiger
28. Bevestigingsschroef
29. Wagen-type bouten met moeren
30. Houderclips

3. MONTAGE

Montage van het onderstel (Afb. A4)



Monteer eerst alle onderdelen en zet daarna alle bouten stevig vast.

- Zet de machine ondersteboven. Leg er een stuk karton onder, zodat het sub-oppervlak niet beschadigt.
- Monteer de poten (15) (4 st) met één steun (13) van het verlengstuk (4 st) per poot op de vier hoeken van de behuizing, gebruik de langere bouten (16) met moeren (2 st. per poot) (Afb. B1)
- Let erop dat de steun (13) van het verlengstuk wordt gemonteerd zoals wordt getoond in Afb. B1
- Monteer de dwarsbalk (22) (4 st) tussen de poten met de kleine bouten (25) met moeren (16 st).
- Plaats de rubberen voeten (23) (4 st)
- Monteer de extra poten (24) (2 st) aan de achterzijde van de machine, gebruik daarvoor de kleine bouten (26) met moeren (4 st)

Montage van de verlengstukken (Afb. B1)

Machine staat nog steeds ondersteboven

- Monteer de verlengstukken (3) (2 st) aan de tafel, gebruik daarvoor de kleine bouten (17) met moeren (4 st).
- Monteer de steunen (13) van de verlengstukken op de verlengstukken (3), gebruik daarvoor de kleine bouten (17) met moeren (4 st).
- Zet de machine weer op z'n voeten. Controleer dat de verlengstukken gelijk staan met de tafel, gebruik hiervoor de sleuven in de steunen van de verlengstukken.

Montage van het spouwmes (Afb. A4, C)

- Verwijder met een schroevendraaier het inzetstuk (21) uit de tafel (Afb. G1).
- Draai de bevestigingsschroef los (28) (Afb. C1)
- Breng het spouwmes omhoog tot de diepte tussen de zaagtafel en de bovenste rand van het spouwmes ongeveer 110 mm is (Afb. C2)
- De afstand tussen het spouwmes en de getande rand van het zaagblad moet 3 tot 5 mm zijn (Afb. C3).
- De punt van het spouwmes mag niet meer dan 5 mm onder de tandpunt zijn, zoals wordt getoond in Afb. C3.

Bevestiging van de beschermkap (Afb. C4)

- Draai het zaagblad geheel naar boven (instructies voor afstelling van de hoogte, zie hoofdstuk 4)
- Trek aan de knop (19) van de beschermkap (5) en plaats deze over het spouwmes (20), terwijl u de knop ingetrokken houdt
- Laat de knop los en let erop dat de pen in het gat schuift

- Zet de beschermkap vast door de knop vast te draaien

Montage van de stofafzuiging (Afb. D)

- Montage van de stofafzuiging zoals wordt getoond in Afb. D.
- Bevestig de stofzuiger aan de stofzuigeraansluiting (27) (Afb. D).

Bevestiging van de parallelle geleider (Afb. E)

- Bevestig de parallelle geleider (2A) aan de rechterzijde van het zaagblad op de tafel.
- Vergrendel de geleider door de handgreep (Afb. E) omlaag te duwen.

Bevestiging van de parallelle geleiderhouder (Afb. I)

De parallelle geleider kan met behulp van de houderclips (30) worden opgeborgen. Monteer de houderclips (30) met wagen-type bouten en moeren (29). De houders kunnen worden gemonteerd, als getoond in Afb I1 of als wordt getoond in Afb I2.

Bevestiging van de verstekgeleider (Afb. A1)

- Schuif de geleider in de sleuf van de tafel, aan de linkerzijde van het zaagblad Afb. A1

Montage of verwisseling van het zaagblad (Afb. G)



Haal eerst de stekker uit het stopcontact, voordat het zaagblad gemonteerd of vervangen wordt.



De pijl op het zaagblad geeft de draairichting aan. Deze moet naar dezelfde richting wijzen als de pijl op de machine, de tanden van het zaagblad moeten naar beneden wijzen aan de voorkant van de zaag.

- Verwijder met een schroevendraaier het inzetstuk (21) uit de tafel (Afb. G1).
- Draai het zaagblad geheel omhoog. (Instructies voor afstelling van de hoogte, zie hoofdstuk 4)
- Draai de moer los met de steeksleutels (14) (Afb. G2)
- Verwijder de moer en de buitenste flens van de as van het zaagblad. (Afb. G3)
- Schuif het oude zaagblad over de as van het zaagblad en zet een nieuw zaagblad op de as.
- Zet de buitenste flens terug en voeg de moer toe.
- Zet de moer vast met de steeksleutels.
- Zet het inzetstuk terug in de tafel en zet de schroef vast.

4. BEDIENING

Aan-/Uitschakelen (Afb. A1)

- Zet de machine in werking door de schakelaar in stand '1' te zetten.
- U stelt de machine buiten werking door dezelfde schakelaar in stand '0' te drukken
- Houd altijd de stroomkabel weg bij bewegende onderdelen.

Met de 2-in-1 handgreep de hoek en de hoogte van het zaagblad afstellen (Afb. A2)

De hoogteafstelling gebruiken

- U brengt het zaagblad omhoog door de handgreep (9) naar rechts te draaien
- U brengt het zaagblad omlaag door de handgreep naar links te draaien
- Let erop dat het zaagblad altijd ongeveer 2 mm hoger afgesteld staat dan de totale dikte van het te zagen materiaal.

De hoekafstelling gebruiken (Afb. G4)

- Draai de knop (10) wat los
- Druk de handgreep (9) naar de machine en draai naar links als u de hoek van het zaagblad wilt afstellen.
- Zet de knop (10) vast

De parallelle geleider gebruiken (Afb A1, E, J1, J2)

De parallelle geleider (2A) is voorzien van een geleiderverlengstuk (2B). Het geleiderverlengstuk kan op twee verschillende manieren worden gebruikt, afhankelijk van de dikte van het hout.

Voor dikker hout moet het geleiderverlengstuk (2B) worden gemonteerd als wordt getoond in afbeelding J1.

Voor dunner hout moet het geleiderverlengstuk (2B) worden gemonteerd als wordt getoond in afbeelding J2.

- Vergrendel de geleider door de handgreep (Afb. E) omhoog te duwen.
- Draai de vleugelmoeren (2C) wat los.
- Verwijder het geleiderverlengstuk (2B) van de parallelle geleider (2A) door het van de parallelle geleider te schuiven.
- Draai het geleiderverlengstuk in de gewenste stand en schuif het terug op de parallelle geleider.
- Draai de vleugelmoeren (2C) vast.

Werkinstructies

Er zijn twee zaagmethoden:

- In de lengte zagen (Afb. H1)
Het werkstuk in de richting van de nerf van het hout zagen
- Afkorten of afzagen, met de verstekgeleider (Afb. H2)
Het werkstuk overdwars afzagen



Bij beide zaagmethoden is het zaak steeds gebruik te maken van een van de geleiders. Zaag dus nooit zonder geleider!

Pas op! Voordat u met zagen begint, controleer eerst het volgende:

1. Zit het zaagblad vast?
2. Zitten alle blokkeerhendels vast?
3. Staat de langsgeleider parallel met het zaagblad?
4. Werkt de beschermkap correct?
5. Draagt u een veiligheidsbril?
6. Loopt het zaagblad nergens aan?



Het is absoluut noodzakelijk deze punten in acht te nemen voordat u aan het werk gaat!

Langszagen

- Blokkeer de langsgeleider op de juiste positie en verwijder de afkortgeleider uit de tafelslede.
- Druk het hout licht naar de tafel toe en laat het tegen de afkortgeleider aanglijden.



Blijf minimaal 3 cm van de voorkant van het zaagblad weg alvorens u de motor aanzet. De kant van het hout dat tegen de langsgeleider licht moet helemaal recht zijn. Houd de handen minstens 10 cm. weg uit het te volgen zaagspoor.

- Zet de motor aan en wacht tot het zaagblad het maximum toerental heeft bereikt voordat u met het zaagwerk begint.
- Terwijl u het hout tegen de tafel en langsgeleider drukt, kunt u het hout zachtjes door het zaagblad schuiven zonder te forceren.
- Trek nooit het werkstuk terug naar achteren. Indien nodig, schakel dan eerst de motor uit ZONDER de positie van het werkstuk te wijzigen.

Langszagen bij (verticaal) verstek

Deze methode is praktisch hetzelfde, behalve dat het zaagblad in de gewenste hoek wordt gebracht.



Bij dit soort methoden mag de langsgeleider uitsluitend langs de rechterkant van het zaagblad staan.

Langszagen van smalle werkstukken

Ga ervan uit dat deze bewerking uitermate gevaarlijk is.

Neem alle nodige voorzorgsmaatregelen en duw het werkstuk steeds door (tot achter het zaagblad) met een pushstick in plaats van met de hand.

Dwarszagen

- Verwijder de langsgeleider en breng de dwarsgeleider in de rechterslede aan.
- Regel de hoogte van het zaagblad (zie langszagen).
- Druk het werkstuk tegen de dwarsgeleider en houd minstens 2,5 cm afstand van de voorkant van het zaagblad.
- Zet de motor aan en wacht tot het maximum toerental bereikt is.
- Druk het werkstuk tegen de geleider en de tafel. Schuif het hout zachtjes door het zaagblad. Ga door tot achter het zaagblad. Zet daarna de motor af en houd deze positie aan totdat het zaagblad volledig stilstaat voordat u het hout wegneemt.
- Trek nooit het hout terug. Indien nodig, zet de motor dan af en houd de positie vast totdat het zaagblad volledig stilstaat.

Dwarszagen bij verticaal verstek

Deze methode is praktisch hetzelfde, behalve dat het zaagblad in de gewenste hoek wordt gebracht.



Plaats de dwarsgeleider uitsluitend aan de rechterzijde van het zaagblad. Nooit te kleine stukken hout zagen. Gebruik nooit de handen om moeilijke operaties uit te voeren.

Dwarszagen bij horizontaal verstek

Bij deze methode is het zaak dat men nu de dwarsgeleider in de gewenste hoek blokkeert. Houd het werkstuk krachtig tegen de dwarsgeleider en de tafel gedrukt voordat u begint met afkorten.

De tafelzaag vervoeren

Voordat de tafelzaag veilig vervoerd kan worden moeten de volgende stappen worden uitgevoerd:

- Trek de stekker uit het stopcontact
- Draai hendel (9) (Fig A2) tegen de klok in en draai het zaagblad zoveel als mogelijk naar beneden
- Verwijder alle accessoires die niet stevig aan de machine kunnen worden vastgezet

5. ONDERHOUD

Zorg dat de machine niet onder spanning staat wanneer onderhoudswerkzaamheden aan het mechaniek worden uitgevoerd.

Reinig de machinebehuizing regelmatig met een zachte doek, bij voorkeur iedere keer na gebruik. Zorg dat de ventilatiesleuven vrij van stof en vuil zijn. Gebruik bij hardnekkig vuil een zachte doek bevochtigd met zeepwater. Gebruik geen oplosmiddelen als benzine, alcohol, ammonia, etc. Dergelijke stoffen beschadigen de kunststof onderdelen.

MILIEU

Defecte en/of afgedankte elektrische of elektronische gereedschappen dienen ter verwerking te worden aangeboden aan een daarvoor verantwoordelijke instantie.

Uitsluitend voor EG-landen

Werp elektrisch gereedschap niet weg bij het huisvuil. Conform de Europese Richtlijn 2012/19/EG voor Afgedankte Elektrische en Elektronische Apparatuur en de implementatie ervan in nationaal recht moet niet langer te gebruiken elektrisch gereedschap gescheiden worden verzameld en op een milieuvriendelijke wijze worden verwerkt.

GARANTIE

VONROC producten zijn ontworpen volgens de hoogste kwaliteitsstandaarden en gegarandeerd vrij van defecten, zowel materieel als fabrieksfouten, tijdens de wettelijk vastgestelde garantieperiode vanaf de eerste aankoopdatum. Mocht het product tijdens deze periode gebreken vertonen veroorzaakt door defecte materialen en/of fabrieksfouten, neem dan rechtstreeks contact op met VONROC.

De volgende situaties vallen niet onder de garantie:

- Er zijn reparaties of aanpassingen aan de machine uitgevoerd, of er is een poging daartoe ondernomen, door een nietgeautoriseerd servicecentrum.
- Normale slijtage.
- De machine is misbruikt, verkeerd gebruikt of slecht onderhouden.
- Er zijn niet-originele reserveonderdelen gebruikt

Dit vormt de enige garantie opgesteld door het bedrijf zowel expliciet als impliciet. Er bestaan geen andere garanties expliciet of impliciet welke verder gaan dan deze garantie, inclusief impliciete garanties van verkoopbaarheid en geschiktheid voor bepaalde doeleinden. In geen enkel geval kan VONROC aansprakelijk worden gesteld voor incidentele schade of gevolgschade. Reparaties van dealers zijn gelimiteerd tot de reparatie of vervanging van defecte producten of onderdelen.

Het product en de gebruikershandleiding zijn onderhevig aan wijzigingen. Specificaties kunnen zonder opgaaf van redenen worden gewijzigd.

1. CONSIGNES DE SÉCURITÉ

En plus des avertissements de sécurité suivants, veuillez également lire les avertissements de sécurité additionnels ainsi que les instructions. Le non-respect des avertissements de sécurité et des instructions peut entraîner une décharge électrique, un incendie et/ou des blessures graves. Veuillez conserver les avertissements de sécurité et les instructions pour consultation ultérieure.

Les symboles suivants sont utilisés dans le manuel d'utilisation ou apposés sur le produit:



Lisez le manuel d'utilisation.



Signale un risque de blessures, un danger mortel ou un risque d'endommagement de l'outil en cas de non-respect des instructions de ce manuel.



Risque de décharge électrique.



Ne laissez aucune personne s'approcher de la zone de travail.



Porter un masque antipoussière.



Protégez-vous les yeux et les oreilles.



N'approchez en aucun cas les mains de la zone de sciage pendant le fonctionnement de l'outil électroportatif. Il y a risque de blessure grave en cas de contact avec la lame de scie.



Zone dangereuse ! Gardez les mains, doigts ou bras éloignés de cette zone.



Machine de classe II - Double isolation - Vous n'avez pas besoin de prise avec mise à la terre.



Le produit est conforme aux normes de sécurité en vigueur spécifiées dans les directives européennes.



Faites attention aux dimensions de la lame de scie. Le diamètre de l'alésage central doit correspondre exactement à celui de la broche (pas de jeu). Lorsqu'il est nécessaire d'utiliser des bagues de réduction, veillez à ce que les dimensions de la bague de réduction soient adaptées à l'épaisseur du corps de lame, au diamètre de l'alésage de la lame et au diamètre de la broche de l'outil. Utilisez dans la mesure du possible les bagues de réduction fournies avec la lame. Le diamètre de lame doit correspondre à l'indication du pictogramme.

CONSIGNES GÉNÉRALES DE SÉCURITÉ



AVERTISSEMENT! Veuillez lire l'intégralité des avertissements de sécurité et des instructions. Le nonrespect de toutes les instructions indiquées cidessous peut entraîner un risque de choc électrique, d'incendie et/ou de blessures graves.

Conservez ces instructions.

Le terme "appareil électrique" mentionné dans tous les avertissements cidessous se rapporte à un appareil électrique qui se branche au réseau électrique (grâce à un câble d'alimentation) ou à un appareil électrique (sans fil) fonctionnant grâce à une batterie.

1) Espace de travail

- a) **Veillez toujours à garder votre espace de travail propre et bien éclairé.** Les espaces mal rangés et sombres peuvent être la cause d'accidents.
- b) **N'utilisez pas les appareils électriques dans des environnements susceptibles d'explosion, par exemple en présence de liquides inflammables, de gaz ou de particules.** Les appareils électriques provoquent des étincelles qui peuvent enflammer les particules des émanations.
- c) **Veillez à garder éloignés les enfants et les personnes se trouvant dans votre voisinage, lors de l'utilisation d'un appareil électrique.** Les distractions peuvent vous faire perdre le contrôle de l'appareil.

2) Mesures de sécurité électriques

- a) **Les prises des appareils électriques doivent être raccordées à la prise murale correspondante. Ne modifiez jamais la prise de l'appareil, de quelque façon que ce soit. N'utilisez pas d'adaptateurs qui mettent les appareils électriques à la terre (mise à la masse).** Des prises non modifiées et branchées à la prise murale correspondante réduiront les risques de choc électrique.
- b) **Évitez le contact direct avec les surfaces mises à la terre ou mises à la masse comme les canalisations, les radiateurs, les cuisinières et les réfrigérateurs.** En effet, le risque de choc électrique s'accroît si votre corps est mis à la terre ou à la masse.
- c) **N'utilisez pas d'outils électriques dans des environnements pluvieux ou humides.** Si de l'eau s'introduit dans un appareil électrique, le risque de choc électrique augmentera.
- d) **N'utilisez pas le câble de manière abusive. N'utilisez jamais le câble pour transporter, tirer ou débrancher l'appareil électrique. Veillez à garder le câble éloigné des sources de chaleur, des huiles, des rebords coupants ou des pièces actionnées.** Les câbles endommagés ou entremêlés augmentent le risque de choc électrique.
- e) **Lorsque un appareil est utilisé à l'extérieur, utilisez uniquement un câble prolongateur prévu à cet effet.** L'utilisation d'un câble à usage extérieur réduit le risque de choc électrique.
- f) **Si vous êtes contraint d'utiliser un outil électrique dans un environnement humide, utilisez une alimentation protégée par un dispositif à courant résiduel (RCD).** L'utilisation d'un RCD réduit le risque de décharge électrique.

3) Sécurité personnelle

- a) **Restez vigilant, gardez un œil sur ce que vous faites et utilisez votre sens commun lors de l'utilisation d'un appareil électrique. N'utilisez pas un appareil électrique si vous êtes fatigué ou si vous êtes sous l'influence de drogues, d'alcool ou si vous prenez des médicaments.** Un moment d'inattention lors de l'utilisation des appareils électriques peut entraîner des blessures graves.
- b) **Utilisez un équipement de protection personnelle. Protégez-vous toujours les yeux.** Les équipements de protection, tels qu'un masque à poussière, des chaussures antidérapantes, des protections auditives ou un casque de sécurité, utilisés dans de bonnes conditions, réduiront le

risque de blessures.

- c) **Prévenez tout démarrage involontaire. Assurez-vous que l'interrupteur est sur la position "arrêt avant de brancher l'appareil.** En effet, le transport des appareils électriques en gardant vos doigts sur l'interrupteur, ou le branchement de ces appareils en ayant l'interrupteur sur "marche accidents.
- d) **Retirez les clés de réglage ou les clés de vis de réglage avant d'allumer l'appareil électrique.** Une clé de vis de réglage ou une clé, laissée sur une pièce en mouvement de l'appareil électrique, peut entraîner des lésions corporelles.
- e) **Ne pas se précipiter. Gardez toujours vos pieds à plat et gardez votre équilibre.** Ceci permet de mieux contrôler l'appareil électrique dans des situations imprévues.
- f) **Habillez-vous convenablement. Ne portez pas de vêtements lâches ou de bijoux. Gardez vos cheveux, vêtements et gants éloignés des pièces actionnées.** En effet, ces derniers peuvent être pris dans les pièces en action.
- g) **Si les appareils sont fournis pour la connexion des équipements d'évacuation et de récupération de la poussière, assurez-vous que ces derniers soient correctement connectés et utilisés.** L'utilisation de ces appareils peut réduire les risques liés à la poussière.
- h) **Ne pensez pas être familiarisé avec l'outil après l'avoir utilisé à de nombreuses reprises, au point de ne plus rester vigilant et d'en oublier les consignes de sécurité.** Toute action imprudente peut engendrer de graves blessures en une fraction de seconde

4) Utilisation et entretien d'un appareil électrique

- a) **Ne forcez pas l'appareil électrique. Utilisez l'appareil électrique adéquat pour votre application.** Un appareil électrique correctement choisi assurera un meilleur travail et un travail sans danger, au rythme auquel il a été conçu.
- b) **N'utilisez pas l'appareil électrique si l'interrupteur marche/arrêt ne fonctionne pas.** Un appareil électrique qui ne peut pas être commandé par l'interrupteur de contrôle est dangereux et doit être réparé.
- c) **Débranchez la prise du bloc d'alimentation avant d'effectuer des réglages, de changer des accessoires, ou de ranger les appareils électriques.** Ces mesures de sécurité préventives réduiront le risque de démarrage involontaire de l'appareil électrique.

- d) **Rangez les appareils électriques arrêtés hors de la portée des enfants et ne laissez aucune personne, non familiarisée avec l'outil ou ces instructions, utiliser l'appareil électrique.** Les appareils électriques sont dangereux entre les mains d'utilisateurs non formés.
- e) **Entretenez les appareils électriques. Vérifiez tout défaut d'alignement et l'enchaînement des pièces actionnées, la rupture de ces dernières, et les autres conditions qui peuvent affecter le fonctionnement des appareils électriques. En cas de dommages, faites réparer l'appareil électrique avant de le réutiliser.** Nombreux sont les accidents provoqués par des appareils électriques mal entretenus.
- f) **Veillez à garder les outils coupants aiguisés et propres.** Des outils coupants correctement entretenus avec des lames aiguisées sont moins susceptibles de se bloquer et sont plus faciles à contrôler.
- g) **Utilisez l'appareil électrique, les accessoires et les embouts, etc., conformément à ces instructions et de la manière prévue pour le type spécifique de l'appareil électrique, en prenant en compte les conditions de travail et le travail à effectuer.** L'utilisation de l'appareil électrique dans des applications différentes de celles prévues peut entraîner des situations dangereuses.
- h) **Gardez les poignées et les surfaces de préhension sèches, propres et exemptes d'huile et de graisse.** Des poignées et des surfaces de préhension glissantes ne permettent pas de manipuler et de contrôler l'outil correctement en cas de situations inattendues.
- 5) Utiliser et soigner les outils à batterie**
- a) **Rechargez la batterie uniquement avec le chargeur spécifié par le fabricant.** Un chargeur adapté à une certaine batterie peut être cause de danger d'incendie quand on l'utilise avec une batterie différente.
- b) **Utilisez chaque outil uniquement avec la batterie conçue pour lui.** L'utilisation de toute autre batterie peut être cause de danger de blessure ou d'incendie.
- c) **Lorsque une batterie n'est pas en usage, gardez-la hors d'atteinte d'objets métalliques tels que les trombones, pièces de monnaie, clés, clous, vis et autres petits objets métalliques pouvant faire le contact entre une borne et l'autre.** Un court-circuit entre les bornes de la batterie peut être cause de brûlures ou d'incendie.
- d) **Dans des circonstances extrêmes, du liquide peut gicler hors de la batterie ; évitez tout contact. En cas de contact accidentel, rincez à l'eau. En cas de contact du liquide avec les yeux, consultez un médecin.** Le liquide qui gicle d'une batterie peut causer irritations ou brûlures.
- e) **N'utilisez pas un bloc-batterie ou un outil endommagé ou modifié.** Une batterie endommagée ou altérée peut avoir un comportement imprévisible qui peut conduire à un incendie, une explosion ou un risque de blessure.
- f) **N'exposez pas le bloc-batterie ou l'outil au feu ou à des températures excessives.** L'exposition au feu ou à des températures dépassant 130 °C peut provoquer une explosion. REMARQUE La température de "130°C" peut être remplacé par la température de "265°F".
- g) **Respectez les instructions pour la charge et ne rechargez pas le bloc-batterie ou l'outil à une plage de températures hors de celle spécifiée dans les instructions.** Une charge mal effectuée ou à des températures hors de la plage spécifiée peut endommager la batterie et augmente le risque d'incendie.
- 6) Maintenance**
- a) **L'entretien de votre outil électrique doit être confié à un réparateur qualifié qui utilise uniquement des pièces de rechange identiques aux pièces d'origine.** Cela permet d'assurer la sécurité de l'outil électrique
- b) **Ne réparez jamais des blocs-batteries endommagés.** Les réparations sur les blocs-batteries ne doivent être effectuées que par le fabricant ou l'un de ses prestataires de services agréés.

INSTRUCTIONS DE SECURITE SPECIFIQUES

ATTENTION! Lors de l'utilisation d'outils électriques pour protéger contre les chocs électriques, des blessures et/ou de brûlure, les mesures de sécurité de base suivantes doivent être respectées. Assurez-vous de lire toutes ces instructions avant d'utiliser cet outil électrique, gardez le livret de la sécurité et de la préserver ainsi pour référence ultérieure.

1. Toujours gardez votre lieu de travail propre et bien rangé.
 - le lieu de travail en désordre peut conduire à des accidents non désirés.
2. Tenez compte des influences environnementales.

- N'exposez pas l'outil électrique à la pluie.
 - N'utilisez pas l'outil électrique dans un environnement humide ou mouillé.
 - Assurez-vous que votre espace de travail dispose d'un éclairage suffisant.
 - N'utilisez pas l'outil de puissance dans zones avec risque d'incendie ou d'explosion.
3. Pour vous protéger d'un choc électrique.
 - Évitez tout contact corporel avec des surfaces reliées à la terre (par exemple les tuyaux, radiateurs, cuisinières électriques, réfrigérateurs, etc.).
 4. Gardez les autres personnes à l'écart
 - Gardez les autres personnes à l'écart en particulier les enfants, ne les laissez pas toucher votre outil électrique ou du câble et gardez les enfants loin de votre zone de travail.
 5. Stockez les outils électriques inutilisés en toute sécurité.
 - les outils électriques non utilisés doivent être enfermés ou stockés dans un endroit sec et hors de portée des enfants.
 6. Ne surchargez pas votre outil électrique.
 - Vous travaillez mieux et plus sûrement dans la plage de puissance indiquée.
 7. Utilisez l'outil de puissance adéquat.
 - N'utilisez pas des outils de faible puissance pour les travaux lourds
 - N'utilisez pas l'outil électrique à des fins qui ne sont pas destinés. Par exemple, ne coupez pas des branches d'arbre ou des morceaux de bois avec une scie circulaire à main.
 8. Portez des vêtements appropriés.
 - Ne portez pas de vêtements larges ou de bijoux ; ils pourraient être happés par les pièces en mouvement.
 - Lorsque vous travaillez à l'extérieur des chaussures antidérapantes sont recommandées.
 - Pour les cheveux longs, portez un filet à cheveux.
 9. Utilisez un équipement de protection.
 - Portez des lunettes de protection
 - Quand vous faites un travail qui génère de la poussière, utilisez un masque respiratoire
 10. Branchez l'appareil à vide
 - Si la connexion à vide et le receveur sont disponibles, alors vous savez que ceux-ci sont connectés et correctement utilisés.
 11. N'utilisez pas le câble à des fins qu'il ne soit pas destiné.
 - N'utilisez pas le câble au connecteur pour le sortir de la prise. Protégez le câble de la chaleur, de l'huile et des arêtes vives.
 12. Fixez l'outil de puissance.
 - Utilisez des pinces ou un étou pour maintenir l'outil de puissance. Il est plus sûr que le tenant avec votre main.
 13. Évitez une posture anormale.
 - Il assure la stabilité et vous permet de rester équilibré en tout temps.
 14. Conservez et maintenez les outils avec soin.
 - Gardez les outils de coupe aiguisés et propres, ce qui garantit que vous travaillez mieux et qu'il est aussi sûr que possible.
 - Suivez les instructions de lubrification et de changement d'outil.
 - Vérifiez le câble de connexion de l'outil de puissance régulièrement et faites réparer votre outil par un spécialiste.
 - Vérifiez les câbles d'extension régulièrement et les remplacez si elles sont défectueuses.
 - Gardez les poignées propres, sèches et sauf graisse ou huile.
 15. Débranchez la fiche de la prise.
 - Lorsque vous ne l'utilisez l'outil de puissance, lorsque vous effectuez la maintenance et lorsque vous changez vos outils tels que les lames, les forets et les fraises.
 16. Ne laissez pas la clé à l'intérieur de l'outil.
 - Avant de mettre en marche, assurez-vous que les clés et les outils de configuration ont été effacés.
 17. Évitez de commutation involontairement l'outil en marche.
 - Assurez-vous que lors de la connexion de la fiche dans la prise que l'alimentation est coupée.
 18. Utilisez les câbles d'extension tout en plein air.
 - Lorsque vous utilisez l'outil de puissance font extérieur, veillez à utiliser le câble d'extension marquée appropriée et approuvée.

INSTRUCTIONS DE SÉCURITÉ SUPPLÉMENTAIRES

1. Pour l'utilisation de lames de scie à dents en métal dur, il est recommandé d'utiliser des lames à angle de coupe négatif ou modérément positif. N'utilisez pas de lames de scie à dents profondément échancrées car celles-ci peuvent agripper le capot de protection.
2. Attention : Montez d'abord soigneusement toutes les pièces avant de commencer le travail. Suivez la procédure indiquée.
3. Dans le cas où vous n'êtes pas habitué à l'utilisation d'une machine telle que celle-ci, nous vous conseillons de demander des instructions

- à des personnes compétentes en la matière, à un instructeur ou à un technicien.
4. Coincez ou appuyez toujours fortement la pièce à usiner contre le guide de sciage, avant d'exécuter les travaux. Il est préférable d'utiliser toutes sortes de dispositifs de serrage au lieu d'utiliser les mains.
 5. Important : si, pendant les travaux, vous tenez la pièce à usiner à la main, observez alors une distance minimale de la lame de scie de 100 mm.
 6. Pressez toujours la pièce à usiner contre la table.
 7. Veillez à ce que la lame de scie soit toujours affûtée et contrôlez régulièrement si elle tourne librement sans vibrations anormales. Remplacez la lame de scie si nécessaire.
 8. Faites tourner la machine librement jusqu'à ce qu'elle ait atteint le plein régime, avant de commencer le travail de sciage.
 9. Entretenez les entrées d'air à l'arrière et en-dessous de la scie circulaire et de l'électromoteur, pour la conservation de la machine. Evitez les accumulations de poussière.
 10. Verrouillez à chaque fois les différents réglages de graduations, avant de commencer le travail de sciage.
 11. Achetez uniquement des lames de scie adaptées, avec un régime minimum de 6000 t.p.m.
 12. Utilisez uniquement la lame de scie adéquate. Des lames de scie trop petites ou trop grandes sont extrêmement dangereuses.
 13. Inspectez régulièrement la lame de scie pour détecter des défauts éventuels. Si nécessaire, remplacez la lame de scie.
 14. Nettoyez les brides et dégraissez la nouvelle lame de scie avant de monter cette dernière. Ensuite montez la lame dans la direction correcte et tirez fortement les brides à l'aide du boulon central.
 15. Utilisez uniquement des brides d'origine. Toutes les autres brides ne sont pas adaptées.
 16. Ne travaillez jamais sans le capot de protection de la lame de scie.
 17. La partie mouvante du capot de protection doit, elle aussi, rester fixée.
 18. Ne graissez jamais la lame de scie pendant qu'elle tourne.
 19. Tenez toujours vos mains loin du trajet de la lame de scie.
 20. Ne ramassez jamais une pièce à usiner en tendant les mains le long ou vers l'arrière de la lame de scie.
 21. Veillez à ce que la pièce à usiner ne touche jamais la lame de scie, avant que la machine ne soit mise en marche.
 22. N'utilisez jamais cette machine pour travailler du métal ou des sortes de pierres.
 23. Utilisez des supports pour soutenir des pièces à usiner longues.
 24. N'utilisez jamais la machine dans un environnement dangereux, là où il y a des gaz ou des liquides inflammables.
 25. N'abandonnez jamais la machine sans l'avoir auparavant déconnectée du circuit électrique.
 26. S'il se produit des bruits anormaux, essayez de les détecter ou apportez la machine chez un installateur ou une entreprise de réparation reconnu(e).
 27. Dans le cas de rupture ou de détérioration d'une pièce, remplacez-la ou réparez-la immédiatement.
 28. Ne vous placez jamais dans le trajet de la lame de scie, mais tenez-vous à gauche ou à droite de la table de sciage.
 29. Les mains aussi doivent être placées à côté du trajet de la lame de scie.
 30. Pour pousser le bois dans la scie, utilisez toujours un long morceau de bois et pas vos mains.
 31. Placez toujours le bois sur le devant de la table à scier et poussez-le alors vers l'arrière.
 32. Pour le sciage à onglet utilisez seulement le guide réglable et retirez le guide de refend.
 33. N'utilisez jamais le guide de refend comme mesure de longueur lors du tronçonnage de poutres.
 34. Dans le cas de blocage de la lame de scie: coupez d'abord le courant avant de remédier à la panne.
 35. Evitez que les pièces à usiner soient balancées dans votre direction en:
 - Utilisant toujours des lames de scie bien affûtées.
 - Ne sciant pas de pièces trop petites.
 - Ne lâchant jamais votre pièce à usiner avant qu'elle ne soit entièrement passée par la scie.
 - Réglant toujours le guide en parallèle à la lame de scie.
 - Ne retirant jamais la protection de la scie.
 36. Avant de reprendre votre travail de sciage, veillez à avoir les pieds solidement sur le sol et à placer vos mains dans la position désirée.
 37. N'utilisez jamais de diluants pour le nettoyage

- de la machine. Pour cela utilisez uniquement un chiffon humide.
38. N'utilisez pas de lames de scie endommagées ou déformées.
 39. Remplacez les cales d'établi lorsqu'elles sont usées.
 40. Seulement utilisation spécifiées par le fabricant de lames de scie qui répondent quand ils sont destinés à travailler les matériaux en bois ou similaires, EN 847-1.
 41. Veillez à choisir la lame de scie appropriée en fonction du matériau à couper.
 42. Lorsque vous sciez, connectez un dispositif d'aspiration de la poussière.
 43. Utilisez et corrigez le réglage du guide latéral.
 44. Utilisez et corrigez le réglage de la partie avant supérieure de la lame de scie.
 45. Faites très attention lorsque vous découpez une fente.

Assurez-vous, au moment de remplacer la lame de scie, de ne pas installer une lame de largeur inférieure et d'épaisseur supérieure à l'épaisseur de couteau diviseur.

Portez des équipements de protection individuelle, notamment:

- Des protections auditives afin de réduire le risque de perte de l'ouïe
- Une protection oculaire
- Une protection respiratoire afin de réduire le risque lié à la nocivité des poussières
- Des gants lorsque vous manipulez les lames et les matériaux bruts (recommandation : les lames de scie doivent, dans la mesure du possible, être transportées dans un contenant)



Avertissement ! N'utilisez pas de lame HSS.

- Insérez la tige poussoir dans son support lorsqu'elle n'est pas utilisée.
- Utilisez la tige poussoir ou un bloc pour guider la pièce à scier.



Avertissement ! N'utilisez pas la scie pour le bouvetage ou le rainurage.

- N'utilisez que des lames de scie dont la vitesse maximum correspond au moins à la vitesse indiquée sur la scie et étant adaptées à la matière devant être sciée.

- Pendant le transport, la partie supérieure de la lame de scie doit être recouverte avec le protège-lame.

Arrêtez immédiatement l'appareil en cas:

- Défectuosité de la fiche, du fil d'alimentation ou si le fil a été endommagé.
- Commutateur défectueux.
- Surchauffage de la scie à circulaire.
- Fumée ou mauvaise odeur causée par des matériaux isolants brûlés.

Sécurité électrique



Vérifiez si la tension d'alimentation électrique correspond bien à celle de la plaque signalétique.

- N'utilisez pas la machine si le câble secteur ou la fiche secteur est endommagé.
- Utilisez uniquement des rallonges adaptées à la puissance nominale de la machine et d'une section minimum de 1,5 mm². Si vous utilisez une bobine de rallonge, déroulez toujours complètement le câble.

Alimentation

- Le moteur est doté d'un interrupteur de surcharge. Si le scie circulaire a table est surchargé, l'interrupteur de surcharge arrête automatiquement l'équipement pour protéger le scie circulaire a table contre la surchauffe. Si l'interrupteur de surcharge se déclenche, arrêter le scie circulaire a table à l'aide de l'interrupteur MARCHE/ARRÊT (8) et attendre que le scie circulaire a table refroidisse. Appuyer ensuite sur l'interrupteur MARCHE/ARRÊT (8) et redémarrer le scie circulaire a table.

2. INFORMATIONS RELATIVES À LA MACHINE

Utilisation prévue

Cet outil électrique est prévu pour fonctionner comme une machine stationnaire pour effectuer des coupes longitudinales ou transversales dans du bois dur et tendre exempt de tous corps étrangers (clous, vis, ciment...)

SPÉCIFICATIONS TECHNIQUES

N° de modèle	TS501AC
Tension	220-240V~
Fréquence	50 Hz
Puissance	1500W
Vitesse à vide	5000/min
Angle de biseautage	0° <> +45°
Spécifications de la lame de scie:	
Diamètre	Ø 210 mm
Épaisseur de corps	1,8 mm
Largeur de coupe	2,8 mm
Diamètre de l'alésage	Ø 30 mm
Nombre de dents	40T
Max. hauteur de la pièce à 90°	70 mm
Max. hauteur de la pièce à 45°	45 mm
Épaisseur du guide latéral	2,0 mm
Poids	14,5 kg
Lpa (pression sonore)	99,6 +3 dB(A)
Lwa (capacité acoustique)	112,6 +3 dB(A)
Valeur vibratoire	<2,5 m/s ²

Niveau de vibrations

Le niveau des vibrations émises, indiqué dans ce manuel, a été mesuré conformément à la procédure décrite par la norme EN60745. Il peut être utilisé pour comparer deux outils ou pour réaliser une estimation préalable de l'exposition aux vibrations lors de l'utilisation de l'outil pour les applications mentionnées.

- L'utilisation de l'outil dans d'autres applications ou avec des accessoires différents ou mal entretenus peut considérablement augmenter le niveau d'exposition.
- La mise hors tension de l'outil et sa non-utilisation pendant qu'il est allumé peuvent considérablement réduire le niveau d'exposition.

Protégez-vous contre les effets des vibrations par un entretien correct de l'outil et de ses accessoires, en vous échauffant les mains et en organisant vos rythmes de travail.

DESCRIPTION

Les numéros dans le texte se rapportent aux schémas des pages 2-6.

- Établi pour scie avec deux règles
- 2A. Parallèle guide
- 2B. Guide extension
- 2C. Wing nuts
3. Rallonges (x2)
4. Extraction des poussières
5. Carter de lame
6. Guide à onglet
7. Tige poussoir
8. Interrupteur Marche/Arrêt
9. Poignée de réglage 2 en 1
10. Bouton de verrouillage
11. Prise électrique
12. Règle pour l'angle de la lame de scie
13. Support rallonge (x4)
14. Clés (x2)
15. Jambes (x4)
16. Boulons longs avec écrous (x8)
17. Petits boulons avec écrous pour rallonges (x8)
18. Raccord pour extraction des poussières
19. Bouton du carter de lame de scie
20. Couteau diviseur
21. Incrustation table de scie
- 22A. Cross strut long (x2)
- 22B. Cross strut short (x2)
23. Pied en caoutchouc (x4)
24. Jambes supplémentaires (x2)
25. Petits boulons avec écrous pour jambe de force transversale (x16)
26. Petits boulons avec écrous pour jambes supplémentaires (x4)
27. Raccord pour aspirateur
28. Vis de fixation
29. Carriage-type bolts with nuts
30. Holder clips

3. MONTAGE ET REGLAGE

Assemblage du cadre (Fig. A4)



Assemblez d'abord toutes les pièces avant de fermement serrer tous les boulons.

- Placez à machine à l'envers. Posez un morceau de carton dessous, afin de ne pas endommager la surface.
- Montez les jambes (15) (x4) avec une rallonge (13) (x4) par jambe aux quatre coins du corps.

- Utilisez les boulons les plus longs (16) avec les écrous (2 par jambe) (Fig. B1)
- Assurez-vous que les supports rallonges (13) soient montés comme illustré par la Fig. B1
- Installez les longues jambes de force (22A) (x2) entre les pattes à l'avant et à l'arrière de la machine. Utilisez les petits boulons (25) avec les écrous (x8).
- Installez les jambes de force courtes (22B) (x2) entre les pattes des deux côtés de la machine. Utilisez les petits boulons (25) avec les écrous (x8).
- Installez les pieds en caoutchouc (23) (x4)
- Montez les jambes supplémentaires (24) (x2) à l'arrière de la machine, en utilisant des petits boulons (26) et des écrous (x16)
- Relâchez le bouton et assurez-vous que la goupille glisse à l'intérieur du trou
- Fixez le carter de protection en serrant le bouton

Assembler le système d'extraction des poussières (Fig. D)

- Assemblez le système d'extraction des poussières comme illustré par la Fig. D
- Fixez l'aspirateur sur raccord pour aspirateur (27) (Fig. D)

Fixation du guide parallèle (Fig. E)

- Fixez le guide parallèle (2A) à droite de la lame de scie sur la table.
- Verrouillez le guide en bas en enfonçant la poignée (Fig. E)

Fixation du porte-guide parallèle (Fig. I)

Le guide parallèle peut être rangé à l'aide des clips supports (30). Installez les clips supports (30) à l'aide des boulons de type carrosserie avec les écrous (29). Les supports peuvent être montés comme illustré par la Fig. I1 ou la Fig. I2.

Fixation du guide à onglet (Fig. A1)

- Glissez le guide dans la fente sur la table à gauche de la lame de scie Fig. A1

Assembler les rallonges (Fig. B1)

La machine est toujours à l'envers

- Montez les rallonges (3) (x2) sur la table, en utilisant les petits boulons (17) et les écrous (x4).
- Montez les supports rallonges (13) sur les rallonges (3), en utilisant les petits boulons (17) et les écrous (x4)
- Retournez la machine sur ses pieds. Assurez-vous que les rallonges soient bien de niveau par rapport à la table en utilisant les fentes dans les supports rallonges.

Assemblage du couteau diviseur (Fig. A4, C)

- Retirez l'incrustation (21) de la table à l'aide d'un tournevis (Fig. G1).
- Dévissez la vis de fixation (28) (Fig. C1)
- Soulevez le couteau diviseur jusqu'à ce que la profondeur entre la table de scie et le bord supérieur du couteau diviseur soit d'environ 110mm (Fig. C2)
- La distance entre le couteau diviseur et le bord dentelé de la lame de scie doit être comprise entre 3 et 5 mm (Fig. C3).
- La pointe du couteau diviseur ne doit pas être inférieure à 5 mm par rapport à la crête des dents, comme illustré par la Fig. C3.

Fixation du carter de protection (Fig. C4)

- Tournez complètement la lame de scie vers le haut (instructions sur le réglage en hauteur au chapitre 4)
- Tirez sur le bouton (19) du carter (5) et placez ce dernier par-dessus le couteau diviseur (20) tout en tirant sur le bouton

Installer ou remplacer la lame de scie (Fig. G)



Retirez d'abord la fiche de la prise électrique avant de monter ou de remplacer la lame de scie.



La flèche marquée sur la lame de scie indique la direction de rotation. Elle doit être dirigée dans le même sens que la flèche marquée sur la machine et les dents de la lame de scie doivent être dirigées vers le bas à l'avant de la scie.

- Retirez l'incrustation (21) de la table à l'aide d'un tournevis. Fig. G1
- Tournez complètement la lame de scie vers le haut. (Instructions sur le réglage en hauteur au chapitre 4)
- Desserrez l'écrou à l'aide de la clé (14) (Fig. G2)
- Retirez l'écrou et la bride extérieure de l'axe de la lame de scie. (Fig. G3)
- Glissez la lame de scie usagée hors de l'axe de la lame et installez une lame neuve.
- Réinstallez la bride extérieure puis l'écrou.

- Serrez l'écrou à l'aide de la clé.
- Réinstallez l'incrustation sur la table et serrez la vis.

4. OPERATION

Mise en marche et extinction (Fig. A1)

- Enfoncez l'interrupteur sur la position "1" pour mettre la machine en marche.
- Pour éteindre la machine, placez le même interrupteur sur la position "0"
- Gardez toujours le câble d'alimentation éloigné des pièces mobiles.

Utiliser la poignée 2 en 1 pour régler l'angle et la hauteur de la lame de scie (Fig. A2)

À l'aide du système de réglage de la hauteur

- Tournez la poignée (9) dans le sens des aiguilles d'une montre pour soulever la lame de scie.
- Tournez la poignée dans le sens inverse des aiguilles d'une montre pour abaisser la lame de scie.
- Assurez-vous que la lame de scie soit toujours environ 2 mm plus haute que l'épaisseur totale de la matière à scier.

À l'aide du système de réglage de l'angle (Fig. G4)

- Desserrez légèrement le bouton (10)
- Enfoncez la poignée (9) vers la machine et tournez-la dans le sens inverse des aiguilles d'une montre pour régler l'angle de la lame de scie.
- Serrez le bouton (10)

À l'aide du guide parallèle (Fig A1, E, J1, J2)

Le guide parallèle (2A) est équipé d'une rallonge de guide (2B). La rallonge de guide peut être utilisée de deux façons différentes, en fonction de l'épaisseur du bois.

Pour les bois plus épais, la rallonge de guide (2B) doit être installée comme illustré par la figure J1.

Pour les bois plus fins, la rallonge de guide (2B) doit être installée comme illustré par la figure J2.

- Déverrouillez le guide vers le bas en poussant la poignée vers le haut (Fig. E)
- Desserrez légèrement les écrous papillons (2C)
- Retirez la rallonge de guide (2B) du guide parallèle (2A) en le glissant à l'opposé du guide parallèle.
- Tournez la rallonge de guide à la position voulue avant de la faire reglisser sur le guide parallèle.
- Serrez les écrous papillons (2C).

Instructions liées à l'intervention

Deux méthodes de sciage sont possibles:

- Sciage longitudinal (Fig. H1)
Scier la pièce sur la longueur du grain du bois
- Sciage transversal ou tronçonnage, en utilisant le guide à onglet (Fig. H2)
Tronçonner la pièce en travers



Dans les deux méthodes de sciage il est important de toujours utiliser un des guides. Donc, ne jamais scier sans guide!

Attention! Avant de commencer à scier contrôlez d'abord ce qui suit:

1. La lame de scie est-elle fixée?
2. Est-ce que tous les leviers de blocage sont bien fixés?
3. Le guide de refend est-il bien parallèle à la lame de scie?
4. Est-ce que le capot de protection fonctionne correctement?
5. Portez-vous des lunettes de sécurité?
6. La lame de scie ne frotte-t-elle nulle part?



Il est absolument nécessaire d'observer ces points avant de commencer le travail!

Sciage en long

- Bloquez le guide de refend dans la position de mesure juste et retirez le guide transversal du chariot de table.
- Appuyez doucement le bois en direction de l'établi et faites-le glisser contre le guide transversal.



Eloignez-vous d'au moins 3 cm. du devant de la lame de scie avant de mettre le moteur en marche. Le côté du bois qui se trouve contre le guide de refend doit être entièrement droit. Tenez vos mains à 10 cm au moins de la ligne de sciage à suivre.

- Mettez le moteur en marche et attendez que la lame de scie ait atteint son régime maximum avant de commencer les travaux de sciage.
- Tout en appuyant doucement le bois contre l'établi et le guide de refend, vous pouvez pousser lentement le bois sur la lame de scie, sans forcer.
- Ne retirez jamais la pièce à usiner en arrière. Si nécessaire, arrêtez d'abord le moteur sans modifier la position de la pièce à usiner.

Sciage en long à onglet (vertical)

Cette méthode est pratiquement la même, sauf que la lame de scie est placée sous l'angle désiré.



Dans ces sortes de méthodes le guide de refend doit être placé uniquement le long du côté droit de la lame de scie!

Sciage en long de pièces à usiner étroites



Réalisez que ce travail est extrêmement dangereux.

Prenez toutes les mesures de sécurité nécessaires et faites toujours avancer la pièce à usiner (jusque derrière la lame de scie) à l'aide d'un accessoire en matière synthétique, et non pas à la main.

Sciage transversal

- Retirez le guide de refend et placez le guide transversal dans le chariot droit.
- Réglez la hauteur de la lame de scie (voir sciage en long).
- Poussez la pièce à usiner contre le guide transversal et gardez au moins 2,5 cm de distance du devant de la lame de scie.
- Mettez le moteur en marche et attendez qu'il tourne au régime maximum.
- Poussez la pièce à usiner contre le guide et la table. Poussez doucement le bois sur la lame de scie. Continuez jusque derrière la lame de scie. Après cela mettez le moteur en arrêt et maintenez cette position jusqu'à ce que la lame de scie soit en arrêt total avant de retirer le bois.
- Ne tirez jamais le bois en arrière. Si nécessaire, arrêtez le moteur et maintenez la position jusqu'à l'arrêt complet de la lame de scie.

Sciage transversal avec onglet vertical

Cette méthode est pratiquement la même, sauf que la lame de scie est placée sous l'angle désiré.



Placez le guide transversal uniquement le long du côté droit de la lame de scie. Ne sciez jamais des morceaux de bois trop petits. N'utilisez jamais vos mains pour exécuter des opérations compliquées.

Sciage transversal à onglet horizontal

Dans cette méthode il est important de bloquer le guide transversal sous l'angle désiré. Tenez la pièce à usiner fortement appuyé contre le

guide transversal et l'établi avant de commencer le sciage transversal.

Transporter la scie sur table

Avant de transporter la scie d'établi, respectez les étapes suivantes:

- Débranchez la prise secteur
- Tournez la molette (9) (Fig. A2) dans le sens inverse des aiguilles d'une montre, pour abaisser la lame le plus possible
- Retirez tous les accessoires qui ne peuvent être fixés fermement sur l'outil électrique

Placez, si possible, les lames de scie inutilisées dans un contenant fermé pour le transport

- Enroulez le câble d'alimentation et attachez-le
- Pour le levage et le transport, tenez l'ensemble par la table (1) (Fig. A1)



La scie d'établi doit toujours être portée par deux personnes afin d'éviter tout risque de blessure.

5. ENTRETIEN



Avant le nettoyage et la maintenance, mettez toujours la machine hors tension et débranchez la fiche de la prise secteur.

Nettoyez le corps de la machine régulièrement au moyen d'un chiffon doux, de préférence après chaque utilisation. Vérifiez que les ouvertures d'aération ne sont pas obstruées ni sales. Utilisez un chiffon doux légèrement humidifié avec de la mousse de savon pour nettoyer les taches persistantes. N'utilisez pas de produits de nettoyage tels que l'essence, l'alcool, l'ammoniac, etc.; ces produits peuvent endommager les parties synthétiques.

ENVIRONNEMENT



Les équipements électroniques ou électriques défectueux ou destinés à être mis au rebut doivent être déposés aux points de recyclage appropriés.

Uniquement pour les pays de l'UE

Ne jetez pas les outils électriques avec les déchets domestiques. Selon la Directive européenne 2012/19/CE relative aux déchets d'équipements électriques et électroniques et sa mise en œuvre

dans le droit national, les outils électriques hors d'usage doivent être collectés séparément et mis au rebut de manière écologique.

GARANTIE

Les produits VONROC sont développés aux plus hauts standards de qualité et ils sont garantis contre les défauts de pièces et de main d'oeuvre pendant la durée légale stipulée à partir de la date d'achat d'origine du produit. En cas d'une quelconque panne du produit pendant cette durée qui serait due à un défaut matériel et/ou de main d'oeuvre, contactez directement VONROC.

Les circonstances suivantes ne sont pas prises en charge par la garantie:

- Des réparations ou altérations ont été effectuées ou tentées sur la machine par un centre de réparation non agréé.
- L'usure normale.
- L'outil a été maltraité, mal utilisé ou mal entretenu.
- Des pièces détachées non d'origine ont été utilisées.

Ceci constitue l'unique garantie accordée par la société explicitement ou implicitement. Il n'existe aucune autre garantie, explicite ou implicite, qui peut s'étendre au delà du contenu ici présent, y compris les garanties marchandes ou d'adaptation à des fins particulières. En aucun cas VONROC ne sera tenu responsable de dommages accidentels ou consécutifs. Les solutions proposées par les revendeurs devront se limiter à la réparation ou le remplacement des éléments ou pièces non conformes.

Le produit et le manuel d'utilisation sont sujets à modifications. Les spécifications peuvent changer sans préavis.

1. INSTRUCCIONES DE SEGURIDAD

Lea las advertencias de seguridad, las advertencias de seguridad adicionales y las instrucciones adjuntas. De no respetarse las advertencias de seguridad y las instrucciones, podrían producirse descargas eléctricas, incendios y/o lesiones graves. Conserve las advertencias de seguridad y las instrucciones para su posterior consulta.

Los siguientes símbolos se utilizan en el manual de usuario o en el producto:



Lea el manual de usuario.



Denota riesgo de lesiones personales, pérdida de vida o daños a la herramienta en caso de incumplimiento de las instrucciones del presente manual.



Riesgo de shock eléctrico.



Mantener alejados a los transeúntes.



Lleve una máscara antipolvo.



Use protección para los oídos y los ojos.



Mantenga las manos alejadas del área de corte mientras la herramienta eléctrica esté funcionando. El contacto con la hoja de sierra puede provocar lesiones.



Zona de peligro! Mantenga las manos, dedos o brazos alejados de esta área.



Máquina de clase II - Aislamiento doble - No necesita ningún enchufe conectado a tierra.



El producto es conforme con las normas de seguridad vigentes en las Directivas Europeas.



Tenga en cuenta las dimensiones de la hoja de sierra. El diámetro del orificio debe calzar en el husillo de la herramienta sin hacer juego. Si es necesario utilizar reductores, compruebe que las

dimensiones del reductor sean adecuadas para el espesor de la hoja de la base, para el diámetro del orificio de la hoja de la sierra y para el diámetro del husillo de la herramienta. Siempre que sea posible, utilice los reductores suministrados con la hoja de la sierra. El diámetro de la hoja de la sierra debe coincidir con la información especificada en el símbolo.

INSTRUCCIONES GENERALES DE SEGURIDAD



PRECAUCIÓN! Lea todas las advertencias de seguridad y todas las instrucciones. Si no lo hace, el uso indebido puede acarrear cortocircuitos, fuego o lesiones graves.

Conserve estas instrucciones.

El término "herramienta eléctrica", en todas las advertencias enumeradas a continuación se refiere a su herramienta eléctrica (i nalábrica) que funciona con una batería o a través de la red eléctrica.

1) Área de trabajo

- a) **Trabaje en un lugar limpio y bien iluminado.** Lugares no iluminados o sucios propician accidentes.
- b) **No use herramientas eléctricas donde haya riesgo de fuego o explosión, p.ej: cerca de líquidos o gases inflamables, polvo etc.** Las herramientas eléctricas producen chispas que pueden producir la ignición de partículas de humo.
- c) **Mantenga a los niños y otras personas alejados mientras utiliza la herramienta eléctrica.** Las distracciones pueden hacer que pierda el control de la herramienta.

2) Seguridad eléctrica

- a) **Cerciórese de que las clavijas de la herramienta eléctrica están correctamente enchufadas. Nunca modifique la clavija. No utilice ningún adaptador para la clavija de una herramienta eléctrica con conexión a tierra.** Las clavijas que no se hayan cambiado y los enchufes adecuados reducen el riesgo de cortocircuitos.
- b) **Evite el contacto humano con superficies con conexiones a tierra como tubos metálicos, conductos, tubos de la calefacción, radiadores y refrigeradores.** El riesgo de cortocircuitos es mayor

- c) **No use herramientas eléctricas bajo la lluvia o en entornos húmedos.** Si entra agua en una herramienta eléctrica aumenta el riesgo de cortocircuito.
- d) **No utilice el cable para todo. Nunca utilice el cable para mover la máquina, empujarla o sacar la clavija del enchufe. Mantenga el cable alejado del calor, aceite, zonas cortantes o piezas en movimiento.** Los cables dañados o enredados aumentan el riesgo de cortocircuito.
- e) **Use un cable alargador impermeable adecuado para exteriores cuando trabaje con la herramienta eléctrica al aire libre.**

- f) **Si no se puede evitar el uso de la herramienta eléctrica en un lugar húmedo, use suministro protegido mediante dispositivo diferencial residual (DDR).** El uso de un DDR reduce el riesgo de choque eléctrico.
- h) **No permita que la familiaridad adquirida con el uso frecuente de las herramientas le haga confiarse e ignorar los principios de seguridad de las herramientas.** Una acción descuidada puede causar lesiones graves en una fracción de segundo.

3) Seguridad personal

- a) **No se descuide, preste atención a lo que está haciendo y utilice el sentido común mientras trabaje con esta herramienta. No use herramientas eléctricas cuando esté cansado o esté bajo los efectos del alcohol, las drogas o los medicamentos.** Un momento de distracción, mientras utilice la herramienta eléctrica, puede provocar lesiones personales graves.
- b) **Use equipo de protección individual. Use siempre gafas protectoras.** El uso en condiciones apropiadas del equipo de seguridad como por ejemplo: mascarilla antipolvo, zapatos antideslizantes de seguridad, casco o protección para los oídos, disminuye el riesgo de sufrir lesiones personales.
- c) **Evite arranques involuntarios. Asegúrese de que el interruptor está en la posición de apagado antes de conectarlo a la fuente de electricidad.** Transportar herramientas eléctricas con el dedo puesto sobre el interruptor o enchufarlas con el interruptor encendido puede causar accidentes.
- d) **Quite cualquier llave de ajuste antes de encender la herramienta eléctrica.** Una llave olvidada junto a una pieza móvil de la herramienta eléctrica

- ca puede provocar lesiones personales graves.
- e) **No se estire demasiado. Mantenga siempre el equilibrio y tenga los pies en el suelo.** Esto permite un mayor control de la herramienta eléctrica en situaciones inesperadas.
- f) **Vístase apropiadamente. No lleve prendas holgadas o joyas. Mantenga su pelo, ropa y guantes alejados de las piezas móviles.** Las prendas holgadas, las joyas y el pelo largo pueden quedar atrapados en las piezas móviles.
- g) **Si se han suministrado dispositivos para la extracción y recogida de polvo asegúrese de que estos estén conectados y se utilicen correctamente.** El uso de estos dispositivos puede reducir los riesgos relacionados con el polvo.
- h) **Mantenga las asas y las superficies de agarre secas, limpias y libres de aceite y grasa.** Las asas y las superficies de agarre resbaladizas no permiten un manejo y control seguros de la herramienta en situaciones inesperadas.
- 4) Utilización y cuidados de la herramienta eléctrica**
- a) **No fuerce la herramienta eléctrica. Utilice la herramienta eléctrica adecuada para el trabajo que vaya a realizar.** Una herramienta eléctrica apropiada realizará un trabajo mejor y más seguro si se utiliza para el objetivo con el que ha sido diseñada.
- b) **No use herramientas que no pueden encenderse o apagarse con el interruptor.** Las herramientas que ya no se puedan encender y apagar son peligrosas y deben repararse.
- c) **Desenchufe la clavija de la toma de electricidad antes de realizar modificaciones, cambiar accesorios o guardar las herramientas eléctricas.** Tales medidas de seguridad preventivas reducen el riesgo de la puesta en marcha accidental.
- d) **Mantenga a los niños alejados de una herramienta eléctrica sin utilizar y no permita a personas que no estén familiarizadas con la máquina o estas instrucciones utilizar la herramienta.** La herramienta eléctrica puede ser peligrosa cuando la utilicen personas sin experiencia.
- e) **Conserve sus herramientas cuidadosamente. Verifique cualquier desalineación o agarramiento de piezas movibles, piezas dañadas y cualquier otra causa, que pudiera repercutir en el buen funcionamiento de la herramienta eléctrica. Si la herramienta está estropeada, repárela antes de utilizarla.** Muchos de los accidentes están causados por un mantenimiento
- insuficiente del equipo eléctrico.
- f) **Mantenga las herramientas de corte limpias y afiladas.** Sierras con esquinas cortantes con un buen mantenimiento se bloquean menos y son más fáciles de controlar.
- g) **Utilice la herramienta eléctrica, accesorios y brocas etc. Siguiendo las instrucciones atendiendo al tipo de herramienta eléctrica y tenga en cuenta las condiciones de trabajo y el tipo de trabajo que se va a realizar.** Puede ser peligroso realizar trabajos con la herramienta diferentes de aquellos para los que está diseñada.
- 5) Uso y cuidado de las herramientas alimentadas por batería**
- a) **Recargue las baterías únicamente con el cargador recomendado por el fabricante.** Un cargador que es apto para un tipo de baterías determinado puede provocar riesgo de incendio si se usa para cargar otra clase de baterías.
- b) **Use las herramientas eléctricas sólo con las baterías indicadas específicamente.** El uso de otra clase de baterías diferente puede ocasionar el riesgo de derivar en lesiones o un incendio.
- c) **Cuando el paquete de baterías no esté en uso, consérvelo retirado de objetos metálicos como sujetapapeles, monedas, llaves, clavos, tornillos o cualquier otro objeto metálico pequeño que pueda hacer puente entre las terminales.** El contacto entre las terminales de la batería puede causar quemaduras o incendio.
- d) **Bajo condiciones extremas de abuso la batería podría expulsar un líquido; evite todo contacto. Si se produjese contacto accidentalmente, lávese bien con agua. Si el líquido hace contacto con los ojos, consulte también al médico.** El líquido emanado de la batería puede causar irritaciones o quemaduras.
- e) **No utilice una batería o una herramienta que esté dañada o modificada.** Las baterías dañadas o modificadas pueden presentar un comportamiento impredecible y provocar un incendio, una explosión o riesgo de lesiones.
- f) **No exponga una batería o una herramienta al fuego o a temperatura excesiva.** La exposición al fuego o a temperaturas superiores a 130 °C puede provocar una explosión. NOTA La temperatura "130 °C" puede sustituirse por la temperatura "265 °F".
- g) **Siga todas las instrucciones de carga y no cargue la batería o la herramienta fuera del rango**

de temperatura especificado en las instrucciones. La carga incorrecta o a temperaturas fuera del rango especificado puede causar daños a la batería y aumentar el riesgo de incendio.

6) Servicio

- a) **Haga reparar su herramienta eléctrica por una persona cualificada, usando solo piezas de repuesto idénticas.** Esto garantiza que se mantenga la seguridad de la herramienta eléctrica.
- b) **Nunca repare las baterías dañadas.** El mantenimiento de las baterías debe ser realizado solo por el fabricante o los proveedores de servicio autorizados.

INSTRUCCIONES ESPECÍFICAS DE SEGURIDAD

ATENCIÓN! Al utilizar herramientas eléctricas para proteger contra descargas eléctricas, lesiones y el fuego de las siguientes medidas básicas de seguridad deben respetarse. Asegúrese de leer todas las instrucciones antes de utilizar esta herramienta eléctrica, mantenga el folleto de seguridad y preservar bien para su posterior consulta.

1. Siempre mantenga su lugar de trabajo limpio y ordenado.
 - Un lugar de trabajo desordenado puede provocar accidentes no deseados.
2. Considerar las influencias ambientales.
 - No exponga la herramienta eléctrica a lluvia.
 - No utilice la herramienta eléctrica en un ambiente húmedo o mojado.
 - Asegúrese de que el espacio de trabajo tiene suficiente luz.
 - No utilice la herramienta eléctrica en áreas donde hay un riesgo de incendio o explosión.
3. Para protegerse de una descarga eléctrica.
 - Evite el contacto del cuerpo con partes puestas a tierra (por ejemplo, tuberías, radiadores, cocinas eléctricas, refrigeradores, etc.).
4. Mantenga a otras personas a distancia
 - Mantenga a otras personas a distancia especialmente niños, no dejes que toquen su herramienta eléctrica o cable y mantiene los niños lejos de su área de trabajo.
5. Guarde las herramientas eléctricas no utilizados de forma segura.
 - herramientas eléctricas no utilizados deben ser encerrados o almacenados en un lugar que esté seco y fuera del alcance de niños.
6. No sobrecargue la herramienta eléctrica.
 - Se trabaja mejor y más seguro en el rango de potencia especificado.
7. Utilice la herramienta eléctrica correcta.
 - No utilizar máquinas de baja potencia para trabajos pesados
 - No utilice la herramienta eléctrica para fines que no están destinados a ser. Por ejemplo no se puede cortar ramas de árboles o un tronco de madera con una sierra de mano.
8. Use ropa adecuada.
 - No use ropa suelta o joyas; que pueden quedar atrapados en las piezas móviles.
 - Calzado antideslizante es recomendado cuando trabaja en aire
 - Para cabello largo, use una redecilla.
9. Use equipo de protección.
 - Use gafas protectoras
 - Al hacer trabajo que genera polvo, utilice una máscara de respiración.
10. Conecte el aspiradora
 - Si la conexión con el aspiradora y el receptor están disponibles entonces usted sabe que éstos están conectados y se utilizan adecuadamente.
11. No utilice el cable para fines que no está destinado a.
 - No utilice el cable al conector para sacarlo de la toma. Proteja el cable del calor, aceite y bordes afilados.
12. Asegurar la herramienta eléctrica.
 - Utilice abrazaderas o un torno para sujetar la herramienta eléctrica. Es más seguro que sostenerlo con la mano.
13. Evitar una postura anormal.
 - Se garantiza la estabilidad y lo mantiene equilibrado en todo momento.
14. Conservar y mantener las herramientas con cuidado.
 - Mantenga las herramientas de corte afiladas y limpias, este garantiza que trabaja mejor y que sea lo más seguro posible.
 - Siga las instrucciones del lubricante y de la herramienta cambiante.
 - Compruebe el cable de conexión de la herramienta eléctrica con regularidad y dejar que un experto cualificado repare cualquier daño.
 - Compruebe los cables de extensión periódicamente y reemplácelos si están dañados.
 - Mantenga los mangos limpios, secos y libres de grasa y aceite.
15. Desconecte la herramienta de alimentación de

la toma de corriente.

- Cuando no esté usando la herramienta eléctrica, cuando se lleve a cabo el mantenimiento y al cambiar sus herramientas como palas, taladros y cortadores.
16. No deje la llave dentro de la herramienta.
 - Antes de ponerlo en marcha, asegúrese de que las llaves y herramientas de configuración se han despejado.
 17. Evite involuntariamente a cambiar la herramienta eléctrica.
 - Compruebe que al conectar el enchufe en la toma de que el equipo está apagado.
 18. Use un cable alargador impermeable
 - Adecuado para exteriores cuando trabaje con la herramienta eléctrica al aire libre. El riesgo de cortocircuito es menor si utiliza un cable alargador adecuado para exteriores.

INSTRUCCIONES DE SEGURIDAD ADICIONALES

1. Cuando utilice las hojas de sierra con dientes metálicos fuertes (con punta de carbono), se recomienda que utilice hojas con un ángulo de corte negativo o ligeramente positivo. No utilice ninguna hoja de sierra con dientes de corte profundos. Pueden adherirse a la tapa de protección.
2. Atención: Antes de iniciar el trabajo, ajuste todas las piezas. Siga el procedimiento tal y como se indica.
3. Si no está acostumbrado a utilizar una herramienta de este tipo, debe consultar previamente a un profesional, un maestro o un técnico.
4. Sujete o presione siempre la pieza de trabajo firmemente contra la guía de serrado, antes de llevar a cabo el proceso. El uso de todas las herramientas de ajuste posibles es mejor que utilizar sus manos.
5. Importante: Si sostiene la pieza con la mano para realizar el proceso, mantenga una distancia mínima de 100 mm. de la hoja de sierra.
6. Presione siempre la pieza contra el banco.
7. Mantenga la hoja afilada y compruebe si gira libremente sin vibraciones anormales. Sustituya la hoja si es necesario.
8. Permita que la máquina gire libremente hasta que alcance un número de revoluciones máximas, antes de empezar el proceso.
9. Mantenga las entradas de aire en la parte posterior e inferior del banco de sierra y del motor para lograr una vida útil mayor. Deben retirarse los cúmulos de suciedad.
10. Cierre siempre las herramientas de diferente grado antes de comenzar el funcionamiento.
11. Compre exclusivamente hojas de sierra con un número mínimo de revoluciones de 6000 revoluciones por minuto.
12. Utilice sólo la hoja de sierra apropiada. Las hojas demasiado grandes o pequeñas son muy peligrosas.
13. Examine periódicamente la hoja de sierra por si encuentra fallos. Sustituya la hoja si es necesario.
14. Engrase la nueva hoja de sierra y limpie las bridas antes de colocar la nueva hoja. Luego coloque la hoja en la dirección apropiada y apriete las bridas firmemente usando un perno central.
15. Utilice sólo bridas originales.
16. Nunca trabaje sin la tapa de protección de la hoja de sierra.
17. La pieza móvil de la tapa de protección también debe permanecer ajustada.
18. No engrase nunca la hoja de sierra mientras esté girando.
19. Mantenga siempre sus manos lejos del alcance de las hojas de sierra.
20. Nunca coja la pieza agarrándola con sus manos a lo largo o detrás de la hoja de sierra.
21. Asegúrese de que la pieza nunca toca la hoja de sierra antes de que la máquina se haya puesto en marcha.
22. Nunca trabaje con trozos de metal o de piedra con esta máquina.
23. Utilice ayudas de sujeción para sujetar piezas largas.
24. Nunca utilice la máquina en ambientes peligrosos con gases o líquidos inflamables.
25. Nunca deje la máquina desatendida sin desconectarla previamente de la línea de suministro de corriente.
26. Si escucha ruidos anormales, intente ubicarlos o lleve la máquina a un ajustador reconocido o a una empresa de reparaciones.
27. Si una pieza se rompe o está dañada, reemplácela o repárela inmediatamente.
28. Nunca se coloque en el camino de la hoja de sierra pero sí a su izquierda o a su derecha.
29. Sus manos las debe colocar de igual forma con respecto al camino de la hoja de sierra.
30. Utilice siempre un palo de madera en lugar de sus manos para empujar la madera hacia la sierra.

31. Coloque siempre la madera delante del banco de sierra y luego empújela hacia atrás.
32. Para ingletear sólo debe usarse la guía ajustable y el soporte guía debe retirarse.
33. Nunca utilice el soporte guía como una medida lineal para cortar barrotes.
34. Si la hoja de sierra está frenada: apague la máquina antes de intentar detectar el fallo.
35. Evite que las piezas le devuelvan el empuje tomando las siguientes medidas:
 - Utilice siempre hojas de sierra afiladas.
 - No sierre piezas demasiado pequeñas.
 - Nunca suelte la pieza antes de que haya atravesado totalmente la sierra.
 - Ajuste siempre paralelamente la guía a la hoja de sierra.
 - Nunca retire la protección de la sierra.
36. Antes de continuar con el serrado, asegúrese de que está en una posición firme y que sus manos se encuentran en la posición adecuada.
37. Nunca utilice disolventes para limpiar la máquina. Utilice sólo un paño húmedo.
38. No utilice hojas de sierra que estén dañadas o deformadas.
39. Sustituya la mesa de inserción cuando esté desgastada.
40. Sólo uso especificada por el fabricante hojas de sierra que cumplan cuando estén destinados para trabajar madera o materiales similares, EN 847-1.
41. Preste atención a la elección de la hoja de sierra, ya que depende del material que se vaya a cortar.
42. Conecte las sierras circulares a un mecanismo de recogida de restos mientras se sierra.
43. Corrija el ajuste del cuchillo divisor.
44. Corrija el ajuste de la hoja de sierra superior de seguridad.
45. Tenga cuidado cuando haga una muesca.

Quando si sostituisce la lama, assicurarsi che la larghezza della lama non sia inferiore piccolo e che lo spessore della lama principale non superi lo spessore del cuneo separatore.

Indossare dispositivi di protezione individuale, quali:

- protezione acustica per ridurre il rischio di perdita dell'udito
- protezione per gli occhi
- protezione delle vie respiratorie per ridurre il rischio di inspirare polveri nocive
- guanti quando si maneggiano le lame e

materiali grezzi (se possibile, i raccomanda di trasportare le lame all'interno di un contenitore)



Attenzione! Non utilizzare lame HSS.

- Inserire lo spingipezzo nel rispettivo supporto quando non è in uso.
- Utilizzare un'asta o un blocco per guidare il pezzo in lavorazione.



Attenzione! Non usare la sega per creare pieghe o scanalature.

- Utilizzare esclusivamente lame, la cui velocità massima sia almeno quella indicata sulla sega e che siano adatte per il materiale da tagliare..
- Durante il trasporto, la parte superiore della lama deve essere coperta dalla protezione.

Apague inmediatamente la máquina cuando detecte:

- Un conector o un cable defectuoso conectado a la corriente
- Un interruptor defectuoso.
- Sobrecalentamiento de la máquina.
- Humo u olor producido por un aislamiento quemado.

Sécurité électrique



Vérifiez si la tension d'alimentation électrique correspond bien à celle de la plaque signalétique.

- N'utilisez pas la machine si le câble secteur ou la fiche secteur est endommagé.
- Utilisez uniquement des rallonges adaptées à la puissance nominale de la machine et d'une section minimum de 1,5 mm². Si vous utilisez une bobine de rallonge, déroulez toujours complètement le câble.

Fuente de alimentación

- El motor está equipado con un interruptor de sobrecarga. Si la sobrecarga del sierra de mesa, el interruptor de sobrecarga desconecta la instalación automáticamente para proteger el sierra de mesa de sobrecalentamiento. Si el interruptor de sobrecarga se dispara, apagar el sierra de mesa, con la tecla ON / OFF cambiar (8) y espere hasta que se enfríe el sierra de mesa hacia abajo. A continuación, pulse el ON / OFF cambiar (8) y reinicie el sierra de mesa.

2. INFORMACIÓN DE LA MÁQUINA

Uso previsto

Esta herramienta eléctrica ha sido concebida como máquina fija para realizar cortes longitudinales rectos y cortes transversales en madera blanda y dura que no contenga cuerpos extraños tales como clavos, tornillos ni argamasa.

ESPECIFICACIONES TÉCNICAS

Modelo n.º	TS501AC
Voltaje	220-240 V~
Frecuencia	50 Hz
Entrada de potencia	1500W
Velocidad sin carga	5000/min
Ángulos de bisel	0° <> +45°
Especificaciones de la hoja de sierra:	
Diámetro	Ø 210 mm
Espesor de la hoja de base	1.8 mm
Ancho de corte	2.8 mm
Diámetro del agujero	Ø 30 mm
Numero de dientes	40T
Max. altura de la pieza a 90°	70 mm
Max. altura de la pieza a 45°	45 mm
Espesor de la cuchilla	2.0 mm
Peso	14.5 kg
Nivel de presión acústica L _{PA}	99.6 +3 dB(A)
Nivel de presión acústica L _{WA}	112.6 +3 dB(A)
Vibración	<2.5 m/s ²

Nivel de vibración

El nivel de emisión de vibraciones indicado en este manual de instrucciones ha sido medido según una prueba estándar proporcionada en EN 60745; puede utilizarse para comparar una herramienta con otra y como valoración preliminar de la exposición a las vibraciones al utilizar la herramienta con las aplicaciones mencionadas

- al utilizarla para distintas aplicaciones o con accesorios diferentes o con un mantenimiento deficiente, podría aumentar de forma notable el nivel de exposición
- en las ocasiones en que se apaga la herramienta o cuando está funcionando pero no está

realizando ningún trabajo, se podría reducir el nivel de exposición de forma importante

Protéjase contra los efectos de la vibración realizando el mantenimiento de la herramienta y sus accesorios, manteniendo sus manos calientes y organizando sus patrones de trabajo

DESCRIPCIÓN

Los números del texto se refieren a los diagramas de las páginas 2-6.

1. Banco de aserrar con dos reglas
- 2A. Guía paralela
- 2B. Extensión de la guía
- 2C. Tuercas de mariposa
3. Extensiones (2 piezas)
4. Extracción de polvo
5. Protector
6. Guía de inglete
7. Varilla de empujar
8. Interruptor de encendido/apagado
9. Manilla de ajuste 2 en 1
10. Botón de bloqueo
11. Enchufe eléctrico
12. Ángulo hoja regla
13. Soportes de las extensiones (4 piezas)
14. Llaves (2 piezas)
15. Patas (4 piezas)
16. Pernos largos con tuercas (8 piezas)
17. Pernos pequeños con tuercas para extensiones (8 piezas)
18. Conexión para extracción de polvo
19. Botón del protector de la hoja
20. Separador
21. Inserto banco de aserrar
- 22A. Larguero transversal largo (2 piezas)
- 22B. Larguero transversal corto (2 piezas)
23. Patas de goma (4 piezas)
24. Patas adicionales (2 piezas)
25. Pernos pequeños con tuercas para montante transversal (16 piezas)
26. Pernos pequeños con tuercas para patas adicionales (4 piezas)
27. Conexión aspirador
28. Tornillo de fijación
29. Perno de carrocería con tuercas
30. Abrazaderas de soporte

3. MONTAJE

Montaje del bastidor (Fig. A4)



Primero monte todas las piezas y después apriéte las bien con los pernos.

- Apoye la máquina dada vuelta, con un cartón debajo, para que no se dañe la superficie inferior.
- Monte las patas (15) (4 piezas) con un soporte de extensión (13) (4 piezas) por pata en las cuatro esquinas del cuerpo, use los pernos largos (16) con tuercas (2 piezas por pata) (Fig. B1)
- Compruebe que los soportes de extensión (13) estén montados como se muestra en la Fig. B1.
- Monte el larguero transversal largo (22A) (2 piezas) entre las patas de la parte delantera y trasera de la máquina. Use los pernos pequeños (25) con tuercas (8 piezas).
- Monte el larguero transversal corto (22B) (2 piezas) entre las patas de ambos lados de la máquina. Use los pernos pequeños (25) con tuercas (8 piezas).
- Coloque las patas de goma (23) (4 piezas)
- Monte las patas adicionales (24) (2 piezas) en la parte posterior de la máquina, use los pernos pequeños (26) con tuercas (4 piezas).

Montaje de las extensiones (Fig. B1)

Con la máquina aún dada vuelta

- Monte las extensiones (3) (2 piezas) en el banco, use los pernos pequeños (17) con tuercas (4 piezas).
- Monte los soportes de las extensiones (13) en las extensiones (3) usando los pernos pequeños (17) con tuercas (4 piezas).
- Gire la máquina para erguirla. Compruebe que las extensiones estén niveladas con el banco usando las ranuras de los soportes de extensión.

Montaje del separador (Fig. A4, C)

- Extraiga el inserto (21) del banco usando un destornillador (Fig. G1).
- Afloje el tornillo de fijación (28) (Fig. C1).
- Levante el separador hasta que la profundidad entre el banco de aserrar y el borde superior del separador sea de aproximadamente 110 mm (Fig. C2).
- La distancia entre el separador y la corona dentada de la hoja debe estar comprendida entre 3 y 5 mm (Fig. C3).
- La punta del separador no debe quedar a

menos de 5 mm desde la punta del diente, como se muestra en la Fig. C3.

Colocación del protector (Fig. C4)

- Levante totalmente la hoja (consulte las instrucciones de ajuste de altura en el capítulo 4)
- Tire el botón (19) del protector (5) y colóquelo sobre el separador (20) mientras sigue tirando el botón.
- Suelte el botón y compruebe que la clavija se deslice en el orificio.
- Fije el protector apretando el botón.

Montaje de la extracción de polvo (Fig. D)

- Monte la extracción de polvo como se muestra en la Fig. D.
- Conecte el aspirador en conexión aspirador (27) (Fig. D)

Montaje de la guía paralela (Fig. E)

- Coloque la guía paralela (2A) a la derecha de la hoja sobre el banco.
- Bloquee la guía empujando hacia abajo la manilla (Fig. E)

Colocación del soporte de la guía paralela (Fig. I)

La guía paralela puede guardarse usando las abrazaderas de soporte (30). Monte las abrazaderas de soporte (30) usando los pernos de carrocería con tuercas (29). Los soportes pueden montarse como se muestra en la Fig. I1 o en la Fig. I2.

Montaje de la guía de inglete (Fig. A1)

- Deslice la guía en la ranura del banco a la izquierda de la hoja Fig. A1.

Colocar o cambiar la hoja de la sierra (Fig. G)



Antes de colocar o sustituir la hoja de sierra desconecte la clavija.



La flecha marcada en la hoja de la sierra indica la dirección de giro. Debe apuntar hacia la misma dirección que la flecha marcada en la máquina, los dientes de la sierra deben apuntar hacia abajo en la parte delantera de la sierra

- Extraiga el inserto (21) del banco usando un destornillador. Fig. G1
- Gire la hoja totalmente hacia arriba.

(Consulte las instrucciones de ajuste de altura en el capítulo 4).

- Afloje la tuerca con las llaves (14) (Fig. G2)
- Extraiga la tuerca y la brida exterior del eje de la hoja. (Fig. G3)
- Deslice la hoja antigua por encima del eje de la hoja y coloque la nueva hoja.
- Vuelva a colocar la brida exterior y la tuerca.
- Apriete la tuerca usando las llaves.
- Vuelva a colocar el inserto en el banco y apriete el tornillo.

4. FUNCIONAMIENTO

Encendido/apagado (Fig. A1)

- Pulse el interruptor hacia la posición '1' para poner la máquina en marcha.
- Para apagar la máquina, coloque el interruptor en la posición '0'.
- Mantenga siempre alejado el cable de red de las piezas móviles.

Usando la manilla 2 en 1, ajuste el ángulo y la altura de la hoja (Fig. A2)

Usar el ajuste de altura

- Gire la manilla (9) en sentido horario para levantar la hoja.
- Gire la manilla en sentido antihorario para bajar la hoja.
- Compruebe que la hoja quede siempre aproximadamente 2 mm por encima del espesor total del material que va a cortar.

Usar el ángulo de ajuste (Fig. G4)

- Afloje ligeramente el botón (10)
- Pulse la manilla (9) hacia la máquina y gire en sentido antihorario para ajustar la hoja en el ángulo correcto.
- Apriete el botón (10)

Usar la guía paralela (Fig. A1, E, J1, J2)

La guía paralela (2A) está equipada con un extensión de guía (2B). La extensión de la guía puede usarse en dos modos distintos, dependiendo del espesor de la madera.

En caso de madera más gruesa, la extensión de la guía (2B) debe montarse como se muestra en la figura J1.

En caso de madera más fina, la extensión de la guía (2B) debe montarse como se muestra en la figura J2.

- Desbloquee la guía hacia abajo empujando la manilla hacia arriba (Fig. E)
- Afloje ligeramente las tuercas de mariposa (2C)
- Extraiga la extensión de la guía (2B) de la guía paralela (2A) deslizándola hacia afuera de la guía paralela.
- Gire la extensión de la guía hacia la posición que prefiera y vuelva a deslizarla por la guía paralela.
- Apriete las tuercas de mariposa (2C).

Instrucciones de funcionamiento

Existen dos tipos de métodos de aserrar:

- Aserrado longitudinal (Fig. H1)
Corta la pieza de trabajo a lo largo de la veta.
- Aserrado transversal o tronzado, con uso de la guía de inglete (Fig. H2)
Corta la pieza de trabajo en modo transversal.



Para los dos métodos de aserrado debe usarse una guía. Nunca efectúe cortes sin usar una guía.

¡Atención! Antes de empezar con el serrado, compruebe lo siguiente:

1. ¿La hoja de sierra es segura?
2. ¿Están todas las manivelas de cierre aseguradas?
3. ¿Se encuentra el soporte guía paralelo a la hoja de sierra?
4. ¿Está funcionando correctamente la tapa de protección?
5. ¿Lleva puestas gafas de seguridad?
6. ¿La hoja de sierra no roza contra nada?



¡Es absolutamente necesario tener en cuenta estos puntos antes de empezar a trabajar!

Serrado longitudinal

- Asegure el soporte guía a una posición adecuada y retire la guía de corte del banco.
- Presione la madera ligeramente hacia el banco y deje que se deslice hacia el soporte guía de corte.



Quédese al menos a 3 cm. de la parte delantera de la hoja de sierra antes de arrancar el motor. La parte de la madera que está sobre el soporte guía debe estar completamente recta. Mantenga sus manos alejadas al menos 10 cm. del recorrido de la sierra.

- Arranque el motor y espere hasta que la hoja de sierra haya alcanzado un número máximo de revoluciones antes de iniciar el serrado.
- Mientras que empuja la madera hacia el banco y el soporte guía, puede presionar con cuidado la madera a través de la hoja de sierra sin forzarla.
- Nunca deslice hacia atrás la pieza. Si es necesario, apague el motor antes sin variar la posición de la pieza.

Serrado longitudinal con un inglete (vertical)

Este métodos es prácticamente el mismo, excepto en que la hoja de sierra se coloca en el ángulo deseado.



Con este tipo de método, el soporte de guía solo se sitúa en el lado derecho de la hoja de sierra.

Serrado longitudinal de piezas estrechas



Tenga en cuenta que este proceso es muy peligroso.

Tome todas las medidas de seguridad y presione continuamente la pieza hacia la sierra (hasta el final de la hoja de sierra) ayudándose con una pieza artificial, en lugar de con la mano.

Serrado transversal

- Retire el soporte guía y coloque el soporte guía de corte transversal en el lado derecho del carril.
- Ajuste la altura de la hoja de sierra (vea el serrado longitudinal).
- Empuje la pieza hacia el soporte guía de corte transversal y mantenga al menos 2,5 cm de distancia desde la parte delante de la hoja de sierra.
- Encienda el motor y espere hasta que se alcance el número máximo de revoluciones.
- Empuje la pieza contra el soporte guía y el banco. Presione con cuidado la madera a través de la hoja de sierra. Continúe hasta que haya pasado por toda la hoja de sierra. Luego apague el motor y mantenga esta posición hasta que la hoja de sierra se haya detenido completamente antes de retirar la madera.
- Nunca saque la madera. Si es necesario, apague el motor y mantenga la posición hasta que la hoja de sierra se haya detenido completamente.

Serrado transversal con un inglete vertical

Este método es prácticamente el mismo, excepto que la hoja de sierra se coloca en el ángulo deseado.



Coloque sólo el soporte guía de corte transversal en la parte derecha de la hoja de sierra. Nunca sierre piezas de madera demasiado pequeñas. Nunca utilice sus manos para desempeñar operaciones complicadas.

Serrado transversal con un inglete horizontal

Con este método, el soporte guía de corte transversal debe estar asegurado a un ángulo determinado. Mantenga la pieza presionada de forma firme contra el soporte guía de corte transversal y contra el banco antes de que comience a serrar.

Transporte del banco de aserrar

Antes de transportar el banco de aserrar, debe hacer lo siguiente:

- Desenchufar el enchufe de red.
- Girar la manivela (9) (Fig. A2) en sentido antihorario y bajar la hoja lo máximo posible.
- Extraer todos los accesorios que no queden firmemente montados en la herramienta.

Si es posible coloque todas las hojas no usadas en un contenedor para transportarlas.

- Enrollar el cable de corriente y trabarlo.
- Para elevación o transporte, sostenga el tablero principal (1) (Fig. A1)



La sierra de banco debe ser transportada siempre por dos personas, para evitar lesiones.

5. MANTENIMIENTO



Asegúrese de que la máquina no esté bajo voltaje cuando se realicen trabajos de mantenimiento en el mecanismo.

Limpie regularmente la carcasa de la máquina con un paño suave, preferentemente después de cada uso. Compruebe que los orificios de ventilación estén libres de polvo y suciedad. Elimine el polvo persistente utilizando un paño suave humedecido con agua y jabón. No use disolventes tales como gasolina, alcohol, amoníaco, etc. Tales productos químicos pueden dañar los componentes sintéticos.

MEDIOAMBIENTE



Los aparatos eléctricos o electrónicos defectuosos y/o desechados deben recogerse en lugares de reciclado apropiado.

Solo para países de la Comunidad Europea

No elimine las herramientas eléctricas como residuos domésticos. De acuerdo con la Directiva europea 2012/19/CE sobre residuos de aparatos eléctricos y electrónicos, y su transposición a las legislaciones nacionales, las herramientas eléctricas que ya no se utilizan deben recogerse por separado y eliminarse en modo ecológico.

CONDICIONES DE GARANTÍA

Los productos VONROC han sido desarrollados con los más altos estándares de calidad y VONROC garantiza que están exentos de defectos relacionados con los materiales y la fabricación durante el periodo legalmente estipulado, a contar desde la fecha de compra original. En caso de que el producto presente defectos relacionados con los materiales y/o la fabricación durante este periodo, póngase directamente en contacto VONROC.

La presente garantía se excluye en los siguientes casos:

- Si centros de servicios no autorizados han realizado o han intentado realizar reparaciones y/o alteraciones a la máquina.
- Si se ha producido un desgaste normal.
- Si la herramienta ha sido mal tratada o usada en modo impropio, o se ha realizado incorrectamente su mantenimiento.
- Si se han utilizado piezas de repuesto no originales.

La presente constituye la única garantía implícita y explícita que ofrece la compañía. No existen otras garantías explícitas o implícitas que excedan las citadas aquí, incluidas las garantías implícitas de comerciabilidad e idoneidad para una finalidad en especial. VONROC no será considerada responsable en ningún caso por daños incidentales o consecuentes. Los recursos a disposición de los distribuidores se limitan a la reparación o a la sustitución de las unidades o piezas no conformes.

El producto y el manual de usuario están sujetos a variaciones. Las especificaciones pueden variarse sin previo aviso.

1. ISTRUZIONI DI SICUREZZA

Leggere accuratamente gli avvisi di sicurezza, gli avvisi di sicurezza aggiuntivi e le istruzioni. La mancata osservanza degli avvisi di sicurezza e delle istruzioni potrebbe causare scosse elettriche, incendio e/o gravi lesioni. Mantenere gli avvisi di sicurezza e le istruzioni a portata di mano per future consultazioni.

I seguenti simboli sono utilizzati nel presente manuale utente o sul prodotto:



Leggere il manuale per l'utente.



Denota il rischio di lesioni personali, morte o danni all'utensile in caso di mancata osservanza delle istruzioni contenute nel presente manuale.



Rischio di scosse elettriche.



Tenere lontano gli astanti.



Indossare una mascherina anti-polvere.



Indossare protezioni per le orecchie e gli occhi.



Tenere le mani lontano dall'area di taglio mentre l'utensile elettrico è in funzione. Il contatto con la lama della sega può provocare lesioni.



Zona pericolosa! Tenere mani, dita o braccia lontano da quest'area.



Macchina di classe II - Doppio isolamento - Non è necessaria alcuna spina con messa a terra.



Il prodotto è conforme agli standard pertinenti in materia di sicurezza previsti dalla legislazione Europea.



Tenere in considerazione le dimensioni della lama. Il diametro del foro deve corrispondere al mandrino dell'utensile senza gioco. In

caso di necessità di riduttori fare in modo che le dimensioni del riduttore siano adatte per lo spessore del mandrino di base e il diametro della lama nonché per il diametro del mandrino dell'utensile. Utilizzare se possibile i riduttori in dotazione con la lama. Il diametro della lama deve corrispondere alle informazioni riportate sul simbolo.

REGOLE GENERALI DI SICUREZZA



ATTENZIONE! Leggere tutte le avvertenze di sicurezza e tutte le istruzioni. Se non si seguono tutte le istruzioni sotto elencate, si può incorrere in uno shock elettrico, in un incendio e/o in lesioni serie.

Conservare queste istruzioni.

Il termine "arnese elettrico" in tutti gli avvertimenti sotto elencati si riferisce al vostro arnese elettrico che funziona a corrente (con filo) o ad un arnese che funziona a pile (senza filo).

1) Area di lavoro

- Mantenere l'area di lavoro pulita e ben illuminata.** Aree buie e disordinate favoriscono gli incidenti.
- Non usare arnesi elettrici in atmosfere esplosive, come vicino ai liquidi infiammabili, gas o polveri.** Gli arnesi elettrici creano scintille che possono incendiare la polvere dei vapori.
- Tenere lontani bambini e altre persone mentre si accende l'arnese elettrico.** Le distrazioni possono farvi perdere il controllo.

2) Sicurezza elettrica

- Le spine dell'arnese elettrico devono andare bene per la presa di corrente. Non modificare mai la spina in alcun modo. Non usare alcun adattatore con arnesi elettrici a terra (messo a terra).** Spine non modificate che vanno bene per le prese di corrente ridurranno il rischio di shock elettrico.
- Evitare il contatto corporeo con superfici a terra come tubature, radiatori, fornelli e refrigeratori.** C'è un rischio maggiore di shock elettrico se il vostro corpo è a terra.
- Non esporre arnesi elettrici alla pioggia o a condizioni di umidità.** Se dell'acqua penetra nell'arnese elettrico aumenterà il rischio di

shock elettrico.

- d) **Non abusare del filo. Non usare mai il filo per trasportare, spingere o staccare dalla presa l'arnese elettrico. Tenere il filo lontano da calore, olio, bordi taglienti o parti mobili.** Fili danneggiati o aggrovigliati aumentano il rischio di shock elettrico.
 - e) **Quando si accende un arnese elettrico all'aperto, usare una prolunga adatta a tale uso.** Usare un filo adatto all'uso all'aperto ridurrà il rischio di shock elettrico.
 - f) **Se non è possibile evitare l'uso di un elettrotensile in ambiente umido, usare una rete di alimentazione protetta da un interruttore differenziale (salvavita).** L'uso di un salvavita riduce il rischio di scosse elettriche.
- 3) Sicurezza personale**
- a) **Stare vigili e attento quando si accende un arnese elettrico. Non usare un arnese elettrico mentre si è stanco o sotto l'effetto di droghe, alcool o medicinali.** Un momento di disattenzione mentre si accendono arnesi elettrici può causare delle gravi lesioni personali.
 - b) **Usare dispositivi di protezione individuale. Indossare sempre una protezione per gli occhi.** Dispositivi di sicurezza come mascherina per la polvere, scarpe di sicurezza antiscivolo, casco, o protezioni per le orecchie usate nelle appropriate condizioni, ridurranno le lesioni personali.
 - c) **Prevenire l'avvio accidentale. Assicurarsi che l'interruttore sia spento prima di collegarsi.** Trasportare elettrotensili tenendo il dito sull'interruttore di accensione o dare corrente ad elettrotensili con l'interruttore acceso può dare luogo a incidenti.
 - d) **Rimuovere ogni chiave regolatrice o chiave per dadi prima di accendere l'arnese elettrico.** Una chiave per dadi o una chiave lasciata attaccata ad una parte rotante dell'arnese elettrico può provocare lesioni personali.
 - e) **Cercare di mantenere l'equilibrio. Mantenere sempre un punto d'appoggio appropriato.** Questo consente un controllo migliore dell'arnese elettrico in situazioni inaspettate.
 - f) **Vestirsi adeguatamente. Non indossare vestiti larghi o gioielli. Tenere lontano capelli, vestiti e guanti dalle parti mobili.** Vestiti larghi, gioielli o capelli lunghi possono essere presi nelle parti mobili.
 - g) **Se vengono forniti dispositivi per la connessione**

dell'estrazione della polvere e attrezzature di raccolta, assicurarsi che questi siano collegati e usati correttamente. L'uso di questi dispositivi può ridurre i rischi correlati alla polvere.

- h) **Non lasciare che la confidenza acquisita dall'uso frequente induca l'utilizzatore ad assumere comportamenti imprudenti e a ignorare i principi di sicurezza per l'utensile.** Una semplice distrazione può provocare gravi lesioni personali in una frazione di secondo.
- 4) Uso e manutenzione dell'arnese elettrico**
- a) **Non forzare l'arnese elettrico. Usare l'arnese elettrico corretto per il vostro impiego.** L'arnese elettrico corretto farà il lavoro meglio e in maniera più sicura alla velocità per la quale è stato progettato.
 - b) **Non usare l'arnese elettrico se l'interruttore non si accende o non si spegne.** Ogni arnese elettrico che non può essere controllato con l'interruttore è pericoloso e deve essere riparato.
 - c) **Scollegare la spina dalla sorgente di elettricità prima di fare qualsiasi regolazione, cambiare gli accessori, o conservare arnesi elettrici.** Tali misure di sicurezza preventive riducono il rischio di accendere l'arnese elettrico accidentalmente.
 - d) **Conservare gli arnesi elettrici inattivi fuori dalla portata dei bambini e non permettere a persone che non hanno confidenza con l'arnese elettrico o con queste istruzioni di usare l'arnese elettrico.** Gli arnesi elettrici sono pericolosi per utenti inesperti.
 - e) **Mantenere gli arnesi elettrici. Controllare il non allineamento o l'attacco di parti mobili, la rottura di parti ed ogni altra condizione che può influire sul funzionamento degli arnesi elettrici. Se è danneggiato, far riparare l'arnese elettrico prima dell'uso.** Molti incidenti sono causati da arnesi elettrici mantenuti male.
 - f) **Mantenere gli arnesi da taglio affilati e puliti.** È meno probabile che si attacchino degli arnesi da taglio mantenuti correttamente con tagli affilate e questi sono anche più facili da controllare.
 - g) **Usare l'arnese elettrico, gli accessori e le parti dell'arnese ecc, secondo queste istruzioni e nel modo pensato per il particolare tipo di arnese elettrico, tenendo conto delle condizioni di lavoro e del lavoro da svolgere.** L'uso dell'arnese elettrico per operazioni diverse da quelle pensate potrebbe causare situazioni pericolose.
 - h) **Mantenere le impugnature e le superfici di presa asciutte, pulite e libere da olio e grasso.**

Impugnature e superfici di presa scivolose non consentono di maneggiare e controllare in sicurezza l'utensile in situazioni impreviste.

5) Uso e manutenzione dell'utensile a batteria

- a) **Ricaricare l'apparecchio esclusivamente con il caricabatterie specificato dal fabbricante.** Se si utilizza un caricabatterie di diverso tipo potrebbero verificarsi incendi.
 - b) **Utilizzare gli utensili elettrici solo con i pacchi batterie appositamente prescritti.** L'uso di pacchi batterie di diverso tipo aumenta il rischio di infortunio o incendio.
 - c) **Quando il pacco batterie non è in uso, tenerlo lontano da oggetti metallici quali fermagli, monete, chiavi, chiodi, viti o altri piccoli oggetti metallici che potrebbero mettere in collegamento i due poli.** Se i poli vengono messi in corto circuito, la batteria potrebbe emettere scintille o fiammate.
 - d) **In condizioni di uso scorretto, la batteria potrebbe emettere liquido: evitare pertanto di entrarvi in contatto. In caso di contatto accidentale, risciacquare con acqua. Se il liquido entra a contatto con gli occhi, consultare immediatamente un medico.** Il liquido emesso dalla batteria può causare irritazioni o ustioni.
 - e) **Non utilizzare un pacco batterie o l'utensile se danneggiati o manomessi.** Pacchi batterie danneggiati o manomessi potrebbero avere comportamenti imprevisti con il rischio di incendiarsi, esplodere o provocare lesioni a persone.
 - f) **Non esporre un pacco batterie o l'utensile alle fiamme o a temperature eccessivamente elevate.** L'esposizione alle fiamme o a temperature superiori a 130 °C potrebbe provocare un'esplosione. NOTA: la temperatura di "130 °C" corrisponde a "265 °F".
 - g) **Seguire tutte le istruzioni per la ricarica e non caricare il pacco batterie o l'utensile a temperature che non rientrino nell'intervallo specificato nelle istruzioni.** Se si effettua la ricarica in modo improprio o a temperature non comprese nell'intervallo specificato, il pacco batterie potrebbe subire danni e potrebbe aumentare il rischio di incendi.
- ### 6) Riparazione
- a) **L'assistenza per l'elettrostrumento deve essere prestata da un tecnico qualificato che utilizzi soltanto ricambi originali.** In questo modo viene garantita la sicurezza dell'elettrostrumento.

- b) **Non tentare di riparare pacchi batterie danneggiati.** La riparazione dei pacchi batteria deve essere effettuata esclusivamente dal produttore o presso centri di assistenza autorizzati.

ISTRUZIONI SPECIFICHE DI SICUREZZA

ATTENZIONE! Quando si utilizzano dispositivi elettrici di protezione contro scosse elettriche, infortuni e incendi, occorre rispettare misure di sicurezza fondamentali. Prima di utilizzare questo elettrostrumento, assicurarsi di leggere tutte le istruzioni, tenere il libretto con le istruzioni di sicurezza e conservarlo accuratamente per una futura consultazione.

1. Mantenere sempre il posto di lavoro pulito e ordinato.
 - Gli ambienti disordinati favoriscono gli incidenti.
2. Considerare le influenze ambientali.
 - Non esporre l'elettrostrumento alla pioggia.
 - Non utilizzare l'elettrostrumento in ambienti umidi o bagnati.
 - Assicurarsi che l'area di lavoro sia sufficientemente illuminata.
 - Non utilizzare l'elettrostrumento in aree a rischio di incendi o esplosioni.
3. Per proteggersi da una scossa elettrica.
 - Evitare il contatto fisico con superfici collegate a terra (ad esempio, tubazioni, radiatori, stufe elettriche, frigoriferi, ecc).
4. Mantenere le altre persone a debita distanza
 - Mantenere le altre persone presenti (in particolare i bambini) a debita distanza, non permettere che tocchino l'elettrostrumento né il cavo e tenere i bambini lontano dall'area di lavoro.
5. Riporre l'elettrostrumento inutilizzato in modo sicuro.
 - Gli elettrostrumenti non utilizzati devono essere chiusi a chiave o riposti in un luogo asciutto e fuori dalla portata dei bambini.
6. Non sovraccaricare l'elettrostrumento.
 - Si lavora meglio e in maniera più sicura rispettando il range di potenza specificato.
7. Utilizzare l'elettrostrumento corretto.
 - Non utilizzare macchine a bassa potenza per svolgere lavori pesanti.
 - Non utilizzare l'elettrostrumento per scopi diversi da quelli per cui è destinato. Per esempio non è possibile tagliare rami di alberi o un tronco con una sega manuale.
8. Indossare un abbigliamento adeguato.
 - Non indossare abiti larghi o gioielli che pot-

rebbero rimanere impigliati nei componenti in movimento.

- Quando si lavora all'aperto si consiglia di indossare calzature antiscivolo.
 - Per chi ha i capelli lunghi, indossare una retina per capelli.
9. Utilizzare dispositivi di protezione personale.
 - Indossare occhiali di protezione.
 - Se si esegue un lavoro che genera polvere, utilizzare una maschera respiratoria.
 10. Collegare il dispositivo di aspirazione
 - Sono presenti appositi dispositivi collegabili per l'aspirazione e la raccolta della polvere, si raccomanda di collegare tali dispositivi e utilizzarli correttamente.
 11. Non usare il cavo di alimentazione per scopi diversi da quelli per cui è destinato.
 - Do not use the cable to the connector to pull it out of the socket. Protect the cable from heat, oil and sharp edges.
 12. Fissare l'elettrotensile.
 - Per tenere fermo l'elettrotensile usare delle pinze o un morsetto. È più sicuro che tenerlo con la mano.
 13. Evitare di assumere una postura anomala.
 - Garantisce la stabilità e consente di mantenersi in equilibrio in qualsiasi momento.
 14. Conservare e mantenere gli utensili da taglio con cura.
 - Mantenere gli utensili da taglio affilati e puliti: ciò consente di lavorare meglio e in modo più sicuro.
 - Seguire le istruzioni per la lubrificazione e il cambio degli utensili.
 - Controllare regolarmente il cavo di alimentazione dell'elettrotensile e, in caso di danneggiamento, farlo riparare da un tecnico qualificato.
 - Controllare regolarmente i cavi di prolunga e sostituirli se sono danneggiati.
 - Mantenere le impugnature pulite, asciutte e prive di grasso e olio.
 15. Scollegare l'elettrotensile dalla presa di corrente.
 - Quando non si utilizza l'elettrotensile, quando si esegue la manutenzione e quando si sostituiscono degli utensili (lame, punte e frese).
 16. Non lasciare la chiave all'interno dell'elettrotensile.
 - Prima di accenderlo, assicurarsi di rimuovere chiavi e strumenti di regolazione.
 17. Evitare l'accensione involontaria dell'elettrotensile.


- Verificare che durante il collegamento della spina alla presa di corrente che l'apparecchio sia spento.

18. Utilizzare i cavi di prolunga all'aperto.

- Quando si utilizza l'elettrotensile all'aperto assicurarsi di utilizzare il cavo di prolunga idoneo e recante l'etichetta di omologazione per esterni.

ISTRUZIONI DI SICUREZZA AGGIUNTIVE

1. Quando si utilizzano lame con denti in metallo duro (rinforzato in carbonio) è preferibile usare lame con un angolo di taglio negativo o leggermente positivo. Non utilizzare lame con denti dal taglio profondo che potrebbero fare presa sul carter di protezione.
2. Attenzione: Prima di iniziare il lavoro assemblare con cura tutti i componenti. Seguire la procedura indicata.
3. Se non si ha familiarità con l'utilizzo di un utensile di questo tipo è consigliabile informarsi prima presso un professionista, un istruttore o un tecnico.
4. Prima di eseguire il taglio fissare sempre il pezzo da lavorare o premerlo con forza contro la guida della sega. L'uso di tutte le possibili configurazioni di serraggio è preferibile piuttosto che usare le mani.
5. Importante: Se per eseguire il taglio si sta tenendo il pezzo con la mano, mantenere una distanza minima di 100 mm dalla lama.
6. Premere sempre il pezzo contro il banco.
7. Mantenere la lama affilata e controllare regolarmente se ruota liberamente senza vibrazioni anomale. Se necessario, sostituire la lama.
8. Lasciare che la macchina ruoti liberamente fino a raggiungere il massimo numero di giri, prima di avviare il lavoro.
9. Mantenere le prese d'aria nella parte posteriore e inferiore della sega circolare da tavolo e del motore elettrico per prolungare la vita utile dell'elettrotensile. I mucchietti di polvere devono essere rimossi.
10. Bloccare sempre tutti i vari tipi di impostazioni dell'angolo di taglio prima di iniziare a lavorare.
11. Acquistare esclusivamente lame adatte in grado di compiere un numero di giri di almeno 6000 giri al minuto.
12. Usare esclusivamente la lama corretta. Le lame troppo piccole o troppo grandi sono estremamente pericolose.
13. Ispezionare regolarmente la lama per rilevare la presenza di eventuali guasti. Se necessario,

- sostituire la lama.
14. Prima di montare la nuova lama, lubrificarla e pulire le flange, quindi montare la lama nella direzione corretta e tirare le flange con forza mediante l'apposito bullone centrale.
 15. Utilizzare solo flange originali. Tutti gli altri tipi non sono adatti.
 16. Non lavorare mai senza il carter di protezione montato.
 17. Anche la parte mobile del carter di protezione deve rimanere montata.
 18. Non lubrificare mai la lama mentre sta ruotando.
 19. Tenere sempre le mani lontano dal percorso delle lame.
 20. Non afferrare mai il pezzo da lavorare con le mani lungo o dietro la lama.
 21. Prima di accendere l'elettrotensile assicurarsi che il pezzo da lavorare non tocchi mai la lama.
 22. Non utilizzare questo elettrotensile per tagliare pezzi di metallo o pietra.
 23. Per sostenere i pezzi lunghi utilizzare gli appositi ausili di supporto.
 24. Non utilizzare l'elettrotensile in un ambiente pericoloso, in cui siano presenti gas o liquidi infiammabili.
 25. Non lasciare mai l'elettrotensile incustodito senza averlo prima scollegato dalla rete elettrica.
 26. Se si avvertono rumori anomali, cercare di rintracciarli o portare l'elettrotensile presso l'officina di un installatore o centro di riparazioni riconosciuti.
 27. Se un componente è rotto o danneggiato, sostituirlo o farlo riparare immediatamente.
 28. Mai stare mai davanti alla lama, ma stare a sinistra o a destra del banco della sega.
 29. Analogamente, posizionare le mani lateralmente rispetto al percorso della lama.
 30. Per spingere il pezzo di legno attraverso la sega, utilizzare sempre uno spingipezzo.
 31. Posizionare sempre il pezzo di legno nella parte anteriore del banco della sega e spingerlo più indietro.
 32. Per eseguire tagli obliqui utilizzare esclusivamente la guida regolabile e rimuovere la battuta di fincorsa.
 33. Non utilizzare mai la battuta di fincorsa come misura lineare per tagliare le travi.
 34. Se la lama è bloccata, prima di occuparsi del problema, spegnere l'elettrotensile.
 35. Evitare che i pezzi da lavorare rimbalzino indietro nella propria direzione adottando le seguenti misure:
 - Utilizzare sempre lame affilate.
 - Non tagliare pezzi troppo piccoli.
 - Non rilasciare il pezzo prima di averlo spinto completamente attraverso la sega.
 - Regolare sempre la guida parallelamente alla lama.
 - Non rimuovere la protezione della sega.
 36. Prima di proseguire il lavoro taglio, assicurarsi di stare in piedi con fermezza e che le mani siano nella posizione richiesta.
 37. Per pulire l'elettrotensile non utilizzare mai solventi. Per la pulizia utilizzare solo un panno umido.
 38. Non utilizzare lame danneggiate o deformate.
 39. Sostituire l'insero del banco quando è usurato.
 40. Utilizzare solo le lame specificate dal produttore, concepite per la lavorazione di legno o materiali simili ai sensi della normativa EN847-1.
 41. Prestare attenzione alla lama selezionata, che dipende dal materiale da tagliare.
 42. Durante il taglio collegare la sega da banco a un dispositivo di raccolta della polvere.
 43. Uso e corretta regolazione del cuneo divisore
 44. Uso e corretta regolazione della protezione.
 45. Prestare attenzione nell'eseguire delle scanalature.
- Quando si sostituisce la lama, assicurarsi che la larghezza della lama non sia inferiore piccolo e che lo spessore della lama principale non superi lo spessore del cuneo separatore.
- Indossare dispositivi di protezione individuale, quali:
- protezione acustica per ridurre il rischio di perdita dell'udito
 - protezione per gli occhi
 - protezione delle vie respiratorie per ridurre il rischio di inspirare polveri nocive
 - guanti quando si maneggiano le lame e materiali grezzi (se possibile, i raccomanda di trasportare le lame all'interno di un contenitore)
-  **Attenzione! Non utilizzare lame HSS.**
- Inserire lo spingipezzo nel rispettivo supporto quando non è in uso.
 - Utilizzare un'asta o un blocco per guidare il pezzo in lavorazione.



Attenzione! Non usare la sega per creare pieghe o scanalature.

- Utilizzare esclusivamente lame, la cui velocità massima sia almeno quella indicata sulla sega e che siano adatte per il materiale da tagliare..
- Durante il trasporto, la parte superiore della lama deve essere coperta dalla protezione.

Spegnere immediatamente l'elettrotensile nei seguenti casi:

- cavo di alimentazione o spina difettosi;
- interruttore difettoso;
- surriscaldamento della macchina;
- odore di bruciato o fumo.

Sicurezza elettrica



Controllare sempre che la tensione di alimentazione corrisponda alla tensione indicata sulla targhetta delle caratteristiche.

- Non utilizzare l'elettrotensile quando il cavo o la spina di alimentazione sono danneggiati.
- Utilizzare esclusivamente cavi di prolunga idonei per la potenza nominale dell'elettrotensile, con conduttori di sezione minima di 1,5 mm². Quando si utilizza un cavo di prolunga con avvolgicavo, svolgere sempre completamente il cavo.

Alimentazione elettrica

- Il motore è provvisto di un interruttore di sovraccarico. Se la sega circolare da tavolo si sovraccarica, l'interruttore di sovraccarico spegne automaticamente l'elettrotensile per proteggerlo dal surriscaldamento. Se l'interruttore di sovraccarico scatta, spegnere la sega circolare utilizzando l'interruttore di accensione/spegnimento (8) e attendere che si raffreddi, quindi l'interruttore di accensione/ spegnimento (8) e riavviare la sega circolare.

2. INFORMAZIONI RELATIVE ALL'ELETTROUTENSILE

Uso previsto

Questo elettrotensile è inteso come macchina stazionaria per eseguire tagli dritti longitudinali e trasversali nel legno duro e morbido, privo di corpi estranei, quali chiodi, viti e malta.

DATI TECNICI

Model No.	TS501AC
Tensione	220-240 V~
Frequenza	50 Hz
Potenza assorbita	1500W
Velocità a vuoto	5000/min
Angoli smussati	0° <> +45°
Specifiche della lama per sega:	
Diametro	Ø 210 mm
Spessore lama base	1.8 mm
Larghezza di taglio	2.8 mm
Diametro del foro	Ø 30 mm
Numero di denti	40T
Altezza max. del pezzo da lavorare a 90°	70 mm
Altezza max. del pezzo da lavorare a 45°	45 mm
Spessore del coltello rivetto	2.0 mm
Peso	14.5 kg
Livello di pressione sonora L _{PA}	99.6 +3 dB(A)
Livello di potenza sonora L _{WA}	112.6 +3 dB(A)
Vibrazioni	<2.5 m/s ²

Livello delle vibrazioni

Il livello di emissione delle vibrazioni indicato sul retro di questo manuale di istruzioni è stato misurato in conformità a un test standardizzato stabilito dalla norma EN 60745; questo valore può essere utilizzato per mettere a confronto un l'utensile con un altro o come valutazione preliminare di esposizione alla vibrazione quando si impiega l'utensile per le applicazioni menzionate

- se si utilizza l'utensile per applicazioni diverse, oppure con accessori differenti o in scarse condizioni, il livello di esposizione potrebbe aumentare notevolmente
- i momenti in cui l'utensile è spento oppure è in funzione ma non viene effettivamente utilizzato per il lavoro, possono contribuire a ridurre il livello di esposizione

Proteggersi dagli effetti della vibrazione effettuando la manutenzione dell'utensile e dei relativi accessori, mantenendo le mani calde e organizzando i metodi di lavoro.

DESCRIZIONE

I numeri che compaiono nel testo si riferiscono agli schemi riportati alle pagine 2-6.

1. Piano del banco sega con due righelli
- 2A. Guida parallela
- 2B. Prolunga della guida
- 2C. Dadi a galletto
3. Prolunghe (2 pezzi)
4. Dispositivo di aspirazione polveri
5. Carter di protezione
6. Guida per taglio diagonale
7. Asta spingipezzo
8. Interruttore di accensione/spegnimento
9. Impugnatura di regolazione "2 in 1"
10. Pomello di bloccaggio
11. Spina elettrica
12. Goniometro
13. Supporto prolunghe (4 pezzi)
14. Chiavi (2 pezzi)
15. Piedi (4 pezzi)
16. Bulloni lunghi con dadi (8 pezzi)
17. Bulloni piccoli con dadi per prolunghe (8 pezzi)
18. Connettore per dispositivo di aspirazione polveri
19. Pomello protezione della lama
20. Coltello divisore
21. Piastra di supporto del banco sega
- 22A. Barra di rinforzo trasversale lunga (2 pezzi)
- 22B. Barra di rinforzo trasversale corta (2 pezzi)
23. Piedini in gomma (4 pezzi)
24. Piedi aggiuntivi (2 pezzi)
25. Bulloni piccoli con dadi per fissaggio barre di rinforzo trasversali (16 pezzi)
26. Bulloni piccoli con dadi per fissaggio piedi aggiuntivi (4 pezzi)
27. Connettore per tubo di aspirazione
28. Vite di fissaggio
29. Bulloni a testa tonda con dadi
30. Fermi dei supporti

3. MONTAGGIO

Montaggio del carrello inferiore (Fig A4)



Per prima cosa assemblare tutte le parti serrando saldamente tutti i bulloni.

- Capovolgere il banco sega e posizionarvi sotto un pezzo di cartone per non danneggiare la superficie del piano.

- Fissare i piedi (15) (4 pezzi) con un supporto per prolunghe (13) (4 pezzi) per ogni piede nei quattro angoli, verso l'esterno del corpo macchina, utilizzando i bulloni lunghi (16) con dadi (2 pezzi per ogni piede) (Fig. B1)
- Accertarsi che i supporti per prolunghe (13) siano fissati come illustrato nella Fig. B1
- Fissare la barra di rinforzo trasversale lunga (22A) (2 pezzi) tra le gambe nella parte anteriore e posteriore del banco sega. Utilizzare bulloni piccoli (25) con dadi (8 pezzi).
- Fissare la barra di rinforzo trasversale corta (22B) (2 pezzi) tra le gambe in entrambi i lati del banco sega. Utilizzare bulloni piccoli (25) con dadi (8 pezzi).
- Installare i piedini in gomma (23) (4 pezzi).
- Fissare i piedi aggiuntivi (24) (2 pezzi) sul retro del banco sega, utilizzando i bulloni piccoli con dadi (26) (4 pezzi).

Montaggio delle prolunghe (Fig. B1)

Il banco sega è ancora capovolto

- Fissare le prolunghe (3) (2 pezzi) al banco sega utilizzando i bulloni piccoli (17) con dadi (4 pezzi).
- Fissare i supporti delle prolunghe (13) alle prolunghe (3) utilizzando i bulloni piccoli con dadi (17) (4 pezzi).
- Rimettere in piedi il banco sega. Assicurarsi che le prolunghe siano livellate con il piano del banco sega, utilizzando le scanalature presenti nei supporti delle prolunghe.

Montaggio del coltello divisore (Fig. A4, C)

- Rimuovere dal banco sega la piastra di supporto (21) utilizzando un cacciavite (Fig. G1).
- Allentare la vite di fissaggio (28) (Fig. C1)
- Sollevare il coltello divisore finché la profondità tra il banco della sega e il bordo superiore del coltello divisore è di circa 110 mm (Fig. C2)
- La distanza tra il coltello divisore e la corona dentata della lama deve essere compresa fra 3 e 5 mm (Fig. C3).
- La punta del coltello divisore non deve trovarsi più in basso di 5 mm dalla punta del dente, come illustrato nella Fig. C3.

Fissaggio della protezione (Fig. C4)

- Ruotare la lama completamente verso l'alto (per le istruzioni su come regolare l'altezza vedere il Capitolo 4).
- Tirare il pomello (19) del carter di protezione (5)

e, continuando a tirare il pomello, collocarlo sopra il coltello divisore (20).

- Rilasciare il pomello e assicurarsi che il perno si inserisca nel foro.
- Fissare la protezione serrando il pomello.

Montaggio del dispositivo di aspirazione polveri (Fig. D)

- Montare il dispositivo di aspirazione polveri come illustrato nella Fig. D.
- Collegare il tubo di aspirazione alla presa (27) (Fig. D).

Montaggio della guida parallela (Fig. E)

- Montare la guida parallela (2A) sul piano del banco sul lato destro all'esterno della lama.
- Bloccare la guida spingendo verso il basso l'impugnatura. (Fig. E)

Montaggio del supporto della guida parallela (Fig. I)

La guida parallela può essere riposta utilizzando i fermi dei supporti (30). Fissare i fermi dei supporti (30) utilizzando i bulloni a testa tonda con dadi (29). I supporti possono essere fissati come illustrato nella Fig. I1 o nella Fig. I2.

Montaggio della guida per taglio ad angolo (Fig. A1)

- Fare scorrere la guida nella scanalatura del piano del banco a sinistra della lama (Fig. A1).

Montaggio o sostituzione della lama (Fig. G)



Prima di montare o sostituire la lama della sega scollegare la spina del cavo di alimentazione dalla presa di corrente.



La freccia marcata sulla lama, che indica la direzione di rotazione deve puntare nella stessa direzione della freccia marcata sull'elettrotensile. I denti della lama devono essere rivolti verso il basso verso la parte anteriore della sega.

- Rimuovere dal banco sega la piastra di supporto (21) utilizzando un cacciavite. Fig. G1
- Ruotare la lama della sega completamente verso l'alto. (Per le istruzioni su come regolare l'altezza vedere il Capitolo 4).
- Allentare il dado con le chiavi (14) (Fig. G2)
- Rimuovere il dado e la flangia esterna dal

perno della lama. (Fig. G3)

- Sfilare la vecchia lama dal perno lama e inserirvi una lama nuova.
- Rimontare la flangia esterna e aggiungere il dado.
- Serrare il dado con le chiavi.
- Rimontare la piastra di supporto sul banco sega e serrare la vite.

4. FUNZIONAMENTO

Accensione / spegnimento (Fig. A1)

- Premere l'interruttore in posizione "1" per mettere in funzione l'elettrotensile.
- Per spegnere l'elettrotensile lo stesso interruttore deve essere premuto in posizione "0".
- Tenere sempre il cavo di alimentazione lontano dai componenti in movimento.

Utilizzo dell'impugnatura "2 in 1" per regolare l'inclinazione e l'altezza della lama (Fig. A2)

Utilizzo della leva di regolazione dell'altezza

- Ruotare l'impugnatura di regolazione "2 in 1" (9) in senso orario per alzare la lama.
- Ruotare l'impugnatura di regolazione "2 in 1" in senso antiorario per abbassare la lama.
- Accertarsi che la lama sia circa 2 mm più in alto rispetto allo spessore totale del pezzo da tagliare.

Utilizzo della leva di regolazione dell'angolo (Fig. G4)

- Allentare leggermente il pomello (10).
- Premere l'impugnatura di regolazione "2 in 1" (9) verso la macchina e ruotarla in senso orario per regolare l'inclinazione della lama.
- Serrare il pomello (10).

Utilizzo della guida parallela (Fig. A1, E, J1 e J2)

La guida parallela (2A) è dotata di una prolunga (2B). La prolunga della guida può essere usata in due modi diversi, a seconda dello spessore del legno.

Per il legno più spesso, la prolunga della guida (2B) deve essere fissata come illustrata nella Figura J1. Per il legno più sottile, la prolunga della guida (2B) deve essere fissata come illustrata nella Figura J1.

- Bloccare la guida spingendo verso l'alto l'impugnatura. (Fig. E)
- Allentare leggermente i galletti (2C)
- Rimuovere la prolunga della guida (2B) dalla

- guida parallela (2A) facendola scorrere in fuori.
- Ruotare la prolunga della guida nella posizione desiderata e farla scorrere nuovamente sulla guida parallela.
- Stringere i dadi a galletto (2C).

Istruzioni operative

Sono possibili due metodi di taglio:

- Taglio nel senso della lunghezza (Fig. H1)
Il pezzo in lavorazione viene segato seguendo le venature del legno.
- Taglio trasversale mediante l'uso della guida per taglio ad angolo (Fig. H2)
Il pezzo viene segato trasversalmente.



Per entrambi i metodi di taglio deve essere utilizzata una guida. Perciò non si deve mai segare senza una guida!

Attenzione! Prima di iniziare a segare, controllare i seguenti punti:

1. La lama è fissata saldamente?
2. Sono fissate tutte le leve di bloccaggio?
3. La guida è parallela alla lama?
4. Il carter di protezione funziona correttamente?
5. Si stanno indossando gli occhiali di protezione?
6. La lama frega contro qualcosa?



E' assolutamente necessario verificare questi punti in considerazione prima di iniziare a lavorare!

Taglio longitudinale

- Bloccare la guida nella posizione di misurazione corretta e rimuovere la guida per il taglio trasversale dal carrello del banco.
- Premere il legno leggermente verso il banco e lasciarlo scivolare contro la guida per il taglio trasversale.



Posizionarsi ad almeno 3 cm di distanza dalla parte anteriore della lama prima di avviare il motore. Il lato del legno che si trova contro la guida deve essere completamente diritto. Tenere le mani ad almeno 10 cm di distanza dal percorso di taglio della lama.

- Avviare il motore e attendere che la lama abbia raggiunto il numero massimo di giri prima di iniziare il taglio.
- Premendo il pezzo di legno contro il banco e

la guida, è possibile spingere attentamente il pezzo attraverso la lama senza forzarlo.

- Non tirare mai il pezzo all'indietro. Se necessario, spegnere prima il motore senza modificare la posizione del pezzo.

Taglio longitudinale ad angolo (verticale)

Questo metodo è praticamente lo stesso, a parte il fatto che la lama è posizionata con l'angolazione richiesta.



Con questo metodo la guida può solo trovarsi lungo il lato destro della lama.

Taglio longitudinale di pezzi stretti



Si tenga presente che questa operazione è estremamente pericolosa.

Adottare tutte le misure di sicurezza necessarie e spingere continuamente il pezzo fino a passare la lama, utilizzando uno spingipezzo al posto delle mani.

Taglio trasversale

- Rimuovere la guida e applicare la guida per il taglio trasversale nel carrello di destra.
- Regolare l'altezza della lama (vedere taglio longitudinale).
- Premere il pezzo da lavorare contro la guida per il taglio trasversale e mantenere almeno 2,5 cm di distanza dalla parte anteriore della lama. Avviare il motore e attendere che la lama abbia raggiunto il numero massimo di giri.
- Accendere il motore e attendere fino a quando è stato raggiunto il numero di giri.
- Premere il pezzo da lavorare contro la guida e il banco. Spingere con cautela il pezzo di legno attraverso la lama. Continuare a spingere il pezzo fino a passare la lama, quindi spegnere il motore e mantenere questa posizione fino al completo arresto della lama prima di rimuovere il pezzo di legno.
- Non tirare il pezzo all'indietro. Se necessario, spegnere il motore e spegnere il motore e mantenere la posizione fino a quando la lama non si sarà fermata completamente.

Taglio trasversale con una troncatrice verticale

Questo metodo è praticamente lo stesso, a parte il fatto che la lama è posizionata con l'angolazione richiesta.



Posizionare la guida per il taglio trasversale solo sul lato destro della lama. Non tagliare mai pezzi di legno troppo piccoli. Non usare mai le mani per svolgere operazioni difficili.

Taglio trasversale ad angolo orizzontale

Con questo metodo la guida per il taglio trasversale deve essere fissata con l'angolazione richiesta. Tenere premuto con forza il pezzo da lavorare contro la guida per il taglio trasversale prima di iniziare a tagliarlo.

Trasporto della sega da tavolo

Prima di trasportare la sega da tavolo è necessario eseguire i seguenti passaggi:

- Staccare la spina del cavo di alimentazione dalla presa elettrica.
- Ruotare il volantino (9) (Fig A2) in senso antiorario e abbassare la lama il più possibile.
- Rimuovere tutti gli accessori che non possono essere fissati saldamente all'elettrotensile.

Se possibile, posizionare le lame non utilizzate in un contenitore chiuso per il trasporto.

- Avvolgere il cavo di alimentazione e legarlo.
- Per il sollevamento o il trasporto, portare con sé il tavolo principale (1) (Fig. A1).



La sega da tavolo deve sempre essere trasportata da due persone per evitare lesioni alla schiena.

5. MANUTENZIONE



Prima di ogni operazione di pulizia e manutenzione, spegnere sempre l'elettrotensile e disconnettere la spina di alimentazione dalla rete elettrica.

Pulire regolarmente il corpo dell'elettrotensile con un panno morbido, preferibilmente dopo ogni uso. Assicurarsi che le prese d'aria siano libere da polvere e sporcizia. Rimuovere lo sporco particolarmente ostinato con un panno morbido inumidito con acqua e sapone. Non utilizzare solventi come benzina, alcol, ammoniaca, ecc. Le sostanze chimiche di questo tipo danneggiano i componenti sintetici.

RISPETTO AMBIENTALE



Le apparecchiature elettriche o elettroniche difettose e/o scartate devono essere raccolte presso gli opportuni siti di riciclaggio.

Solo per i Paesi CE

Non smaltire gli elettrotensili insieme ai rifiuti domestici. Secondo la Direttiva europea 2012/19/ EC sui rifiuti delle apparecchiature elettriche ed elettroniche e relativa implementazione nelle normative locali, gli elettrotensili ormai inutilizzabili devono essere raccolti separatamente e smaltiti in modo ecologico.

DEFINIZIONI DELLA GARANZIA

I prodotti VONROC sono sviluppati secondo i più elevati standard di qualità e viene garantita l'assenza di difetti nei materiali e nella manodopera per il periodo contrattuale a partire dalla data di acquisto originale. Qualora il prodotto dovesse subire un guasto qualsiasi durante questo periodo a causa di difetti nei materiali e/o nella manodopera, si prega di contattare direttamente il VONROC.

Le seguenti circostanze sono escluse da questa garanzia:

- Riparazioni e/o modifiche alla macchina sono state eseguite o tentate da centri di assistenza non autorizzati.
- Normale usura.
- L'utensile è stato abusato, utilizzato o manutenu- to in modo improprio.
- Sono state utilizzate parti di ricambio non originali.

Ciò costituisce l'unica garanzia espressa o implicita fornita dall'azienda. Non esistono altre garanzie es- presse o implicite che si estendono oltre il presente documento, ivi comprese le garanzie implicite di commerciabilità e idoneità per uno scopo particola- re. In nessun caso VONROC sarà responsabile di eventuali danni incidentali o consequenziali. I rime- di dei rivenditori saranno limitati alla riparazione o sostituzione di unità o parti non conformi.

Il prodotto e il manuale per l'utente sono soggetti a modifiche. I dati tecnici possono essere modificati senza ulteriore notifica.



DECLARATION OF CONFORMITY TS501AC - TABLE SAW

- (EN) We declare under our sole responsibility that this product is in conformity with directive 2011/65/EU of the European parliament and of the council of 8 June on the restriction of the use of certain hazardous substances in electrical and electronic equipment is in conformity and accordance with the following standards and regulations:
- (FR) Nous déclarons sous notre seule responsabilité que ce produit est conforme aux standards et directives suivants: est conforme à la Directive 2011/65/EU du Parlement Européen et du Conseil du 8 juin 2011 concernant la limitation d'usage de certaines substances dangereuses dans l'équipement électrique et électronique.
- (DE) Der Hersteller erklärt eigenverantwortlich, dass dieses Produkt der Direktive 2011/65/ EU des Europäischen Parlaments und des Rats vom 8. Juni 2011 über die Einschränkung der Anwendung von bestimmten gefährlichen Stoffen in elektrischen und elektronischen Geräten entspricht. den folgenden Standards und Vorschriften entspricht:
- (ES) Declaramos bajo nuestra exclusiva responsabilidad que este producto cumple con las siguientes normas y estándares de funcionamiento: se encuentra conforme con la Directiva 2011/65/UE del Parlamento Europeo y del Consejo de 8 de junio de 2011 sobre la restricción del uso de determinadas sustancias peligrosas en los equipos eléctricos y electrónicos.
- (NL) Wij verklaren onder onze volledige verantwoordelijkheid dat dit product voldoet aan de conform Richtlijn 2011/65/EU van het Europees Parlement en de Raad van 8 juni 2011 betreffende beperking van het gebruik van bepaalde gevaarlijke stoffen in elektrische en elektronische apparatuur en in overeenstemming is met de volgende standaarden en reguleringen:
- (IT) Dichiariamo, sotto la nostra responsabilità, che questo prodotto è conforme alle normative e ai regolamenti seguenti: è conforme alla Direttiva 2011/65/UE del Parlamento Europeo e del Consiglio dell'8 giugno 2011 sulla limitazione dell'uso di determinate sostanze pericolose nelle apparecchiature elettriche ed elettroniche.

EN62841-1, EN 62841-3-1, EN 61000-3-3, EN55014-1, EN55014-2, EN61000-3-2, 2006/42/EC, 2014/30/EU, 2011/65/EU, 2012/19/EU

Zwolle, 01-07-2019

H.G.F Rosberg
CEO

VONROC - Lingenstraat 6 - 8028 PM Zwolle - The Netherlands



VONROC®

BUILD YOUR FUTURE

©2019 VONROC

WWW.VONROC.COM

1907-26