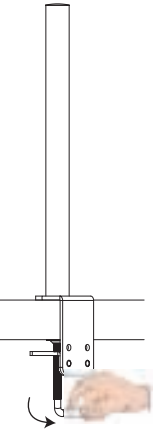


**Parts List:**

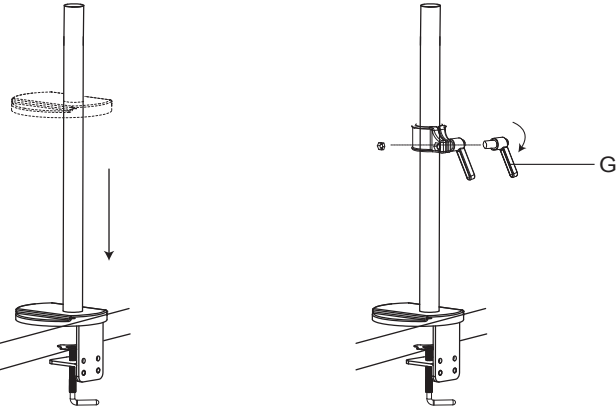
- A: M4x12 (x8)
- B: M4x30 (x8)
- C: M5x12 (x8)
- D: M5x30 (x8)
- E: 13X5.5X16.5 (x8)
- F: S=4mm (x1)
- G: (x1)
- H: (x1)



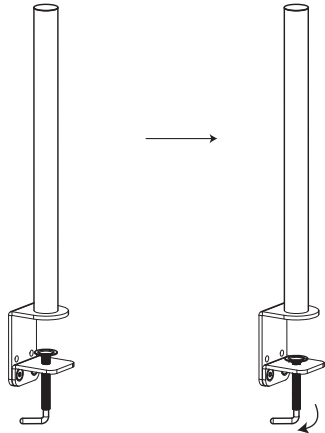
**2**



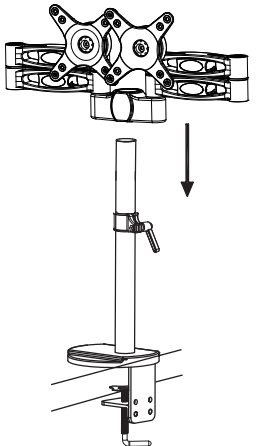
**3**



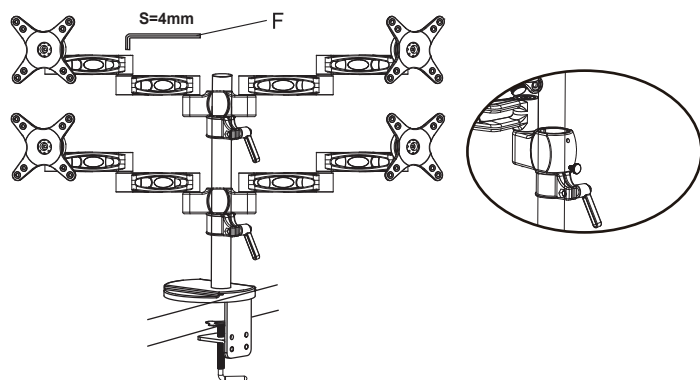
**1**



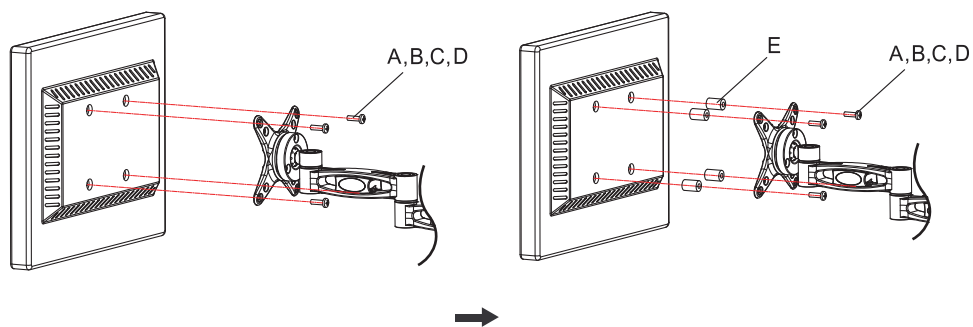
**4**



5



6



7

