

LCD MOUNT INSTALLATION INSTRUCTION

Size Of Flat Panel TV:13-27"; Maximum Load: 25kg

Tilt: ±13°, Rotate: 360°

Hardware kit



(A) Drywall Screw (x3)



(B) Concrete Anchor (x3)



(C) M4 x 12 Bolt (x4)



(D) M4 x 30 Bolt (x4)



(E) M4 Spacer (x4)



(F) M5 x 12 Bolt (x4)



(G) M5 x 30 Bolt (x4)

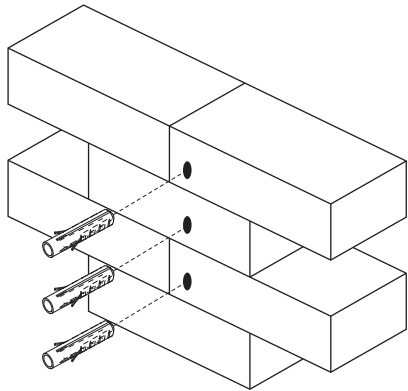


(H) S4 Allen Key (x1)



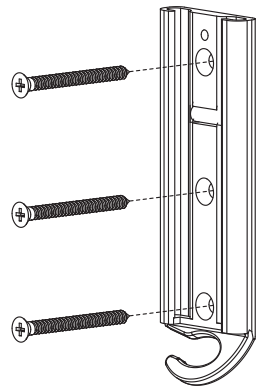
(I) Set Screw (x1)

Step 1



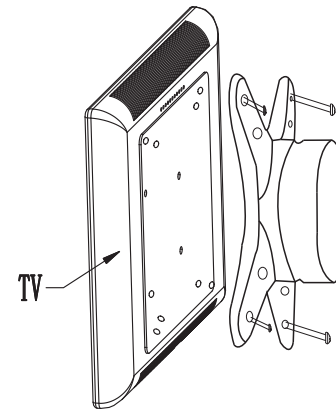
Step 1:
Use the wall plate as a templet to drill three holes of M8 diameter and 60MM depth in the concrete wall or the hard wood wall. Then wedge three plastic concrete anchors into the holes.

Step 2



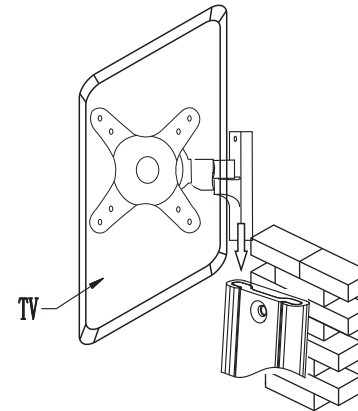
Step 2:
Put the wall panel on the wall, and then screw three wood screw into the plastic concrete anchors.

Step 3



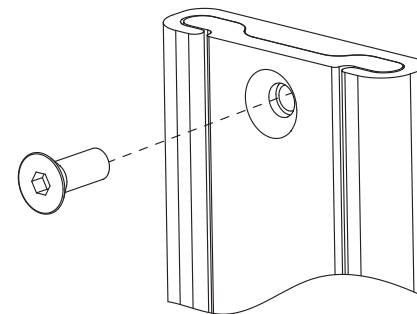
Step 3:
Install TV fixed plate on the TV back. Screw four bolts into the holes in the back of the TV, and the bolts should be selected as the dimension of the bolt-hole.

Step 4



Step 4:
To complete the installation simply side the arm pieces with your lcd attached into the wall plate.

Step 5



Step 5:
For extra security and stability, insert the Set Screw into the hole located on the upper front portion of the wall plate. Tighten using the S4 Allen Key.

Remark:

A. Installed by professional only. B. Installed on the hard wall or pillar.