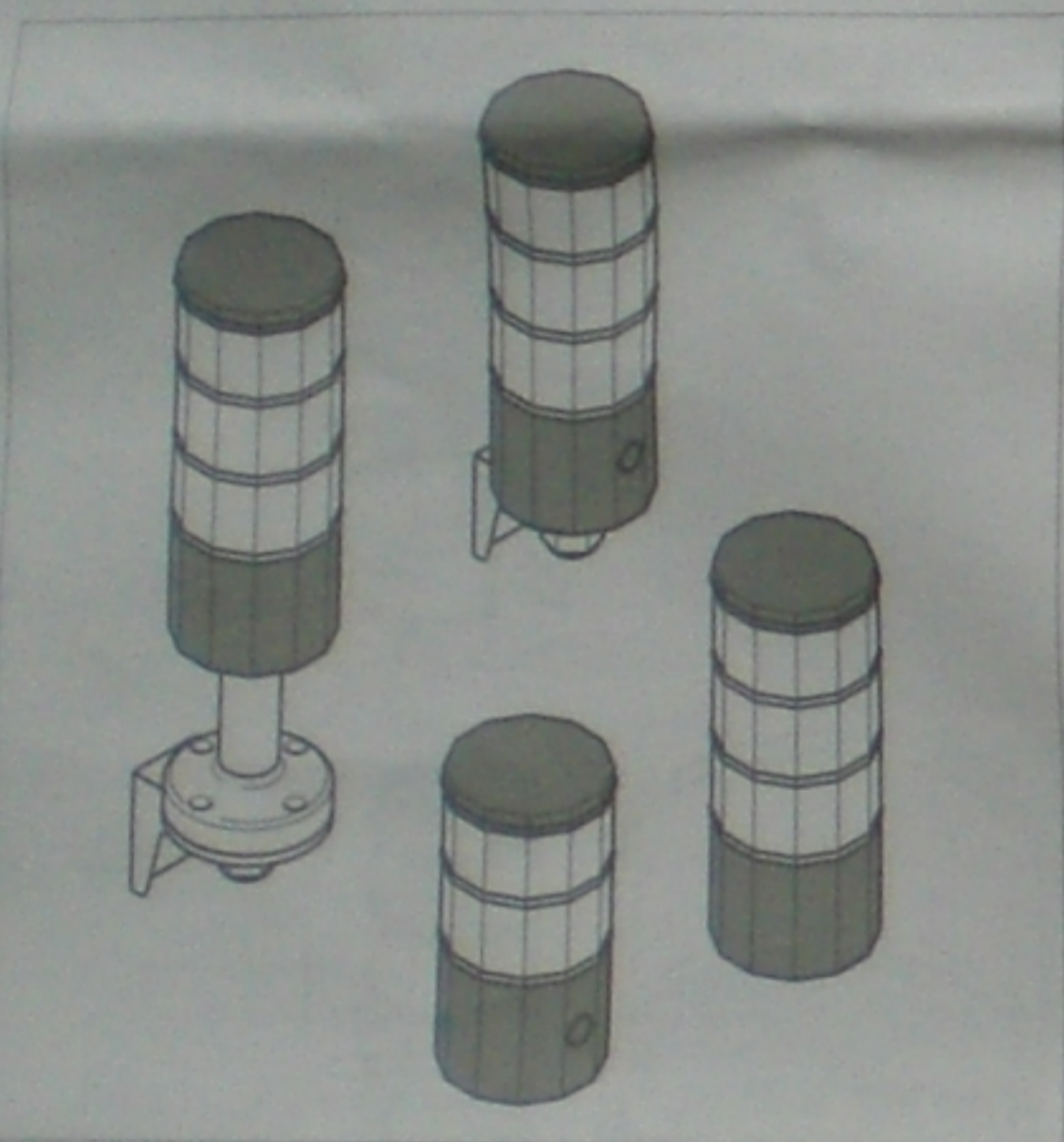
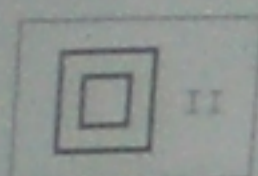
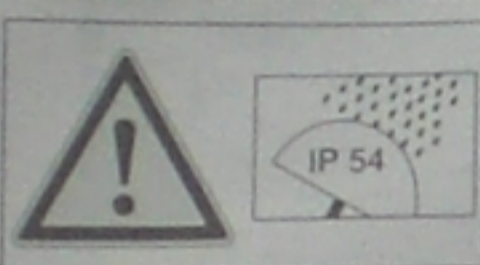


Compact Signal Tower CST 60



(GB) Electrical connection is to be made by trained electrical specialists **only**.

(CN) 布线需由专业电工执行

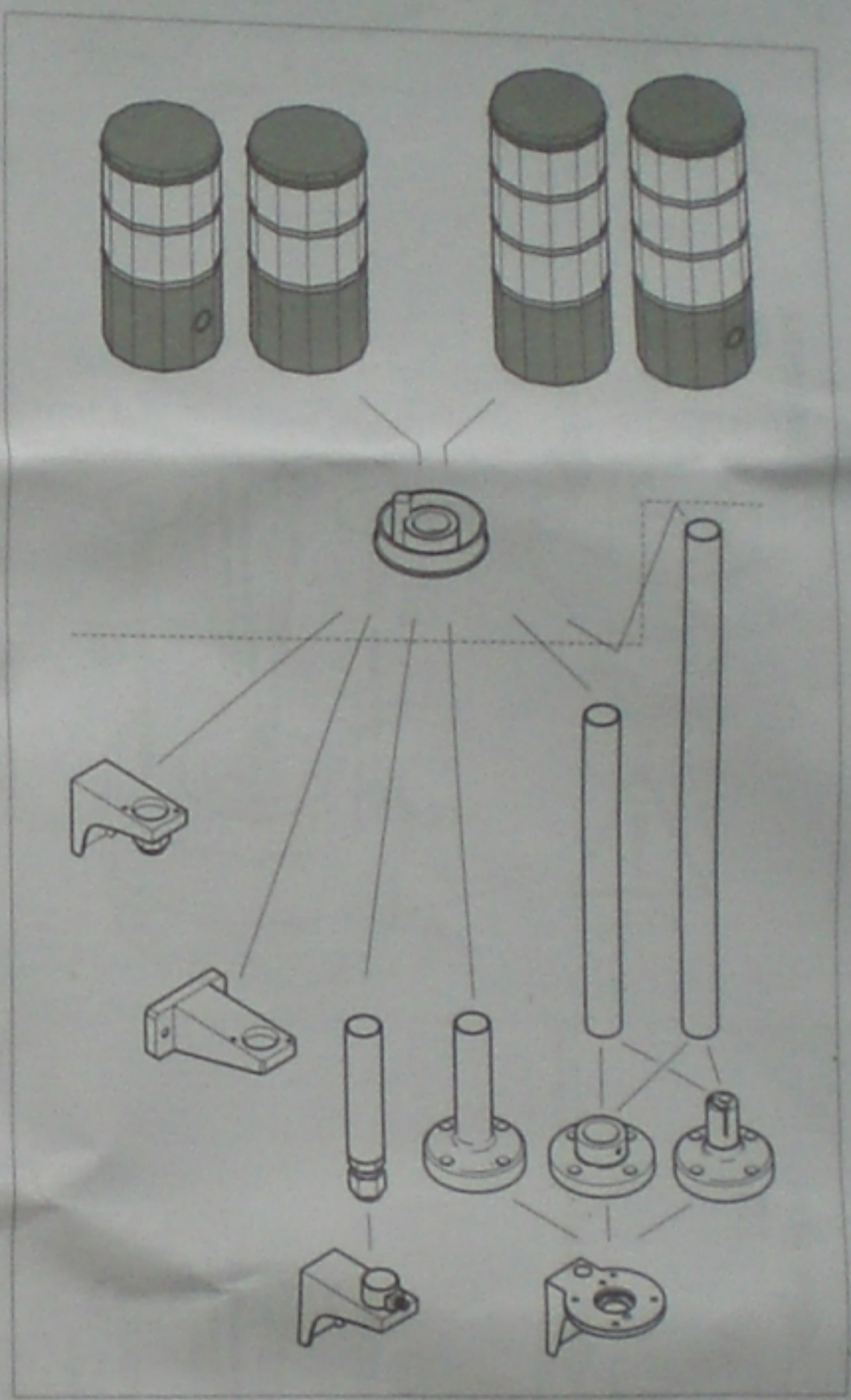


- 696 009 75
- 696 019 75
- 696 029 75
- 696 109 75
- 696 119 75
- 696 129 75



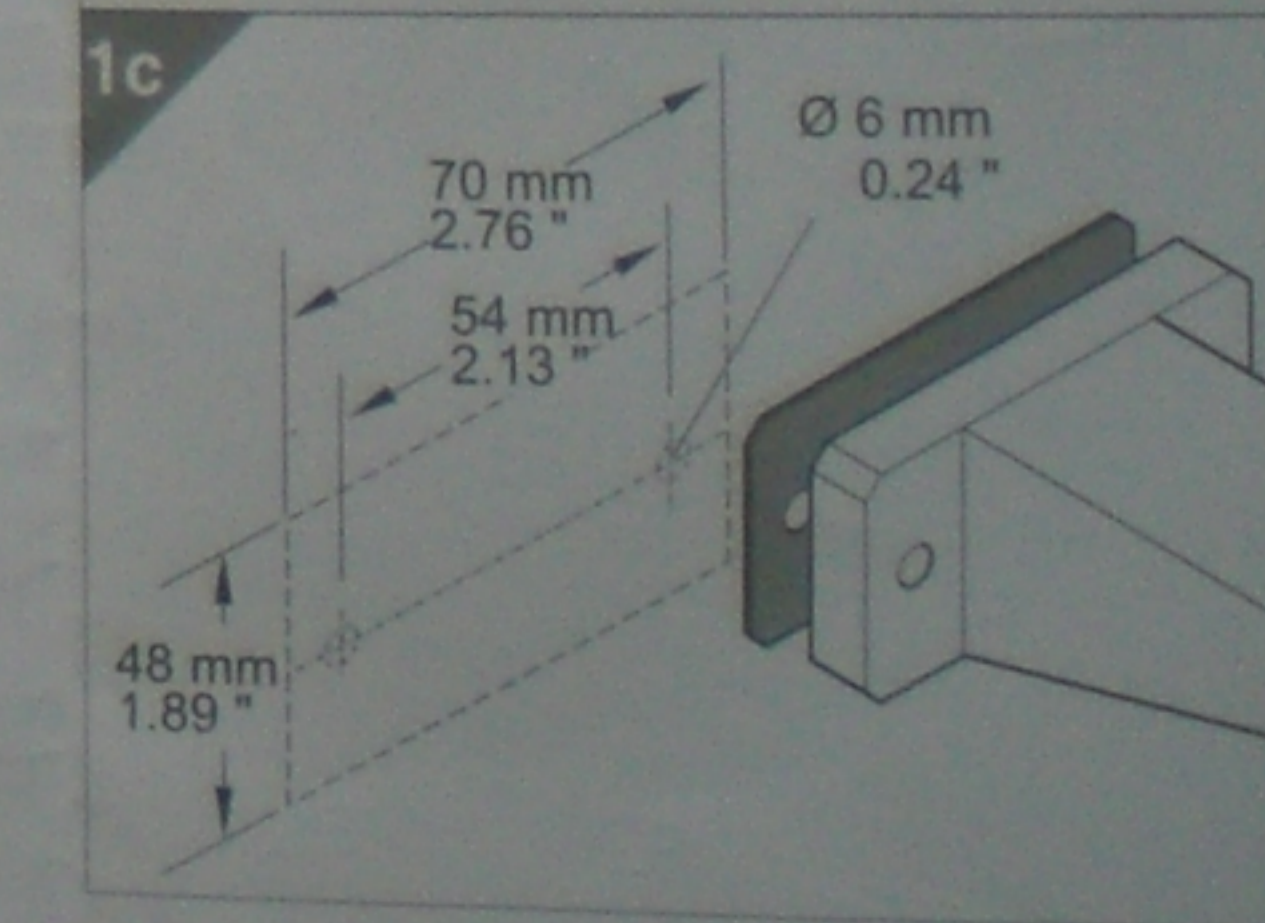
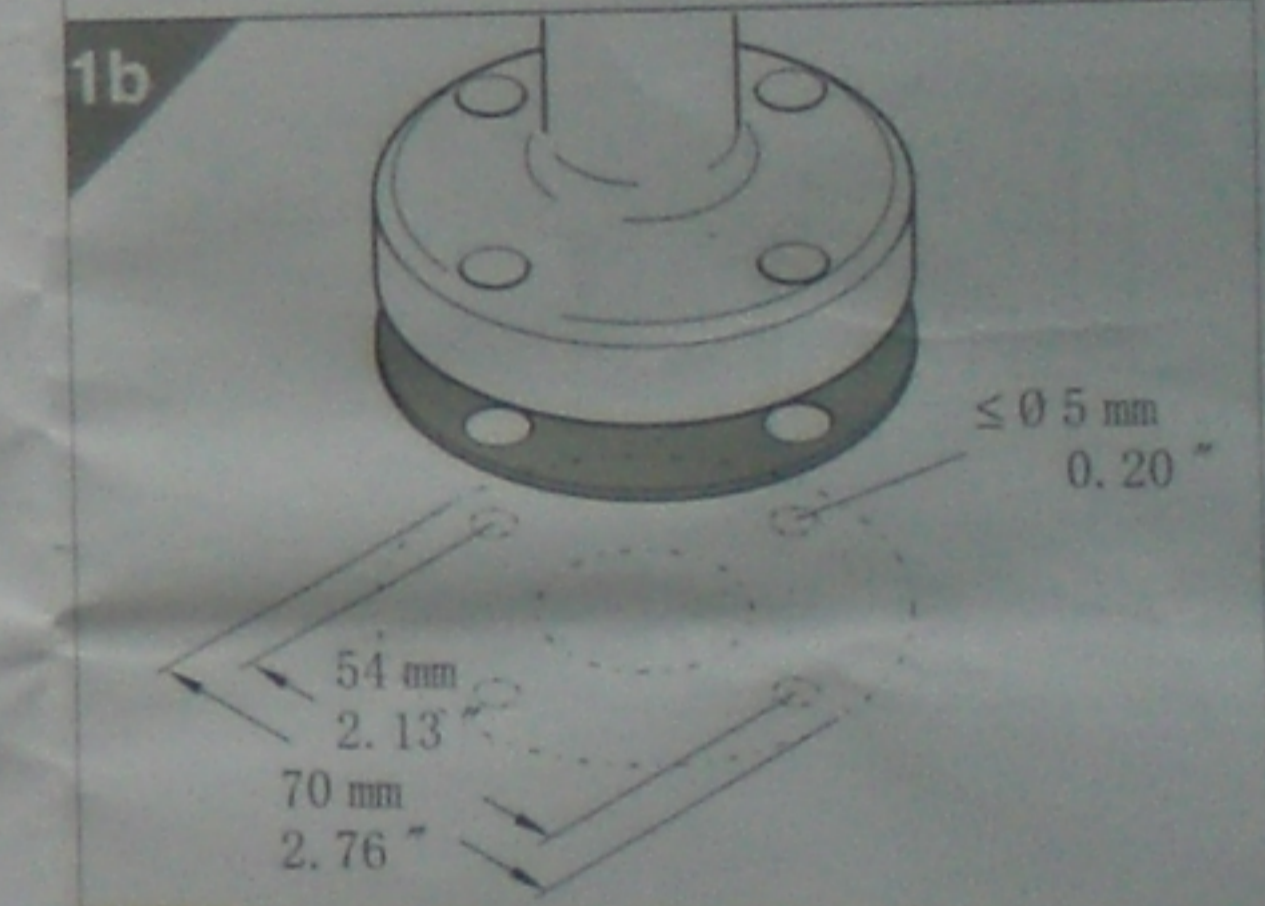
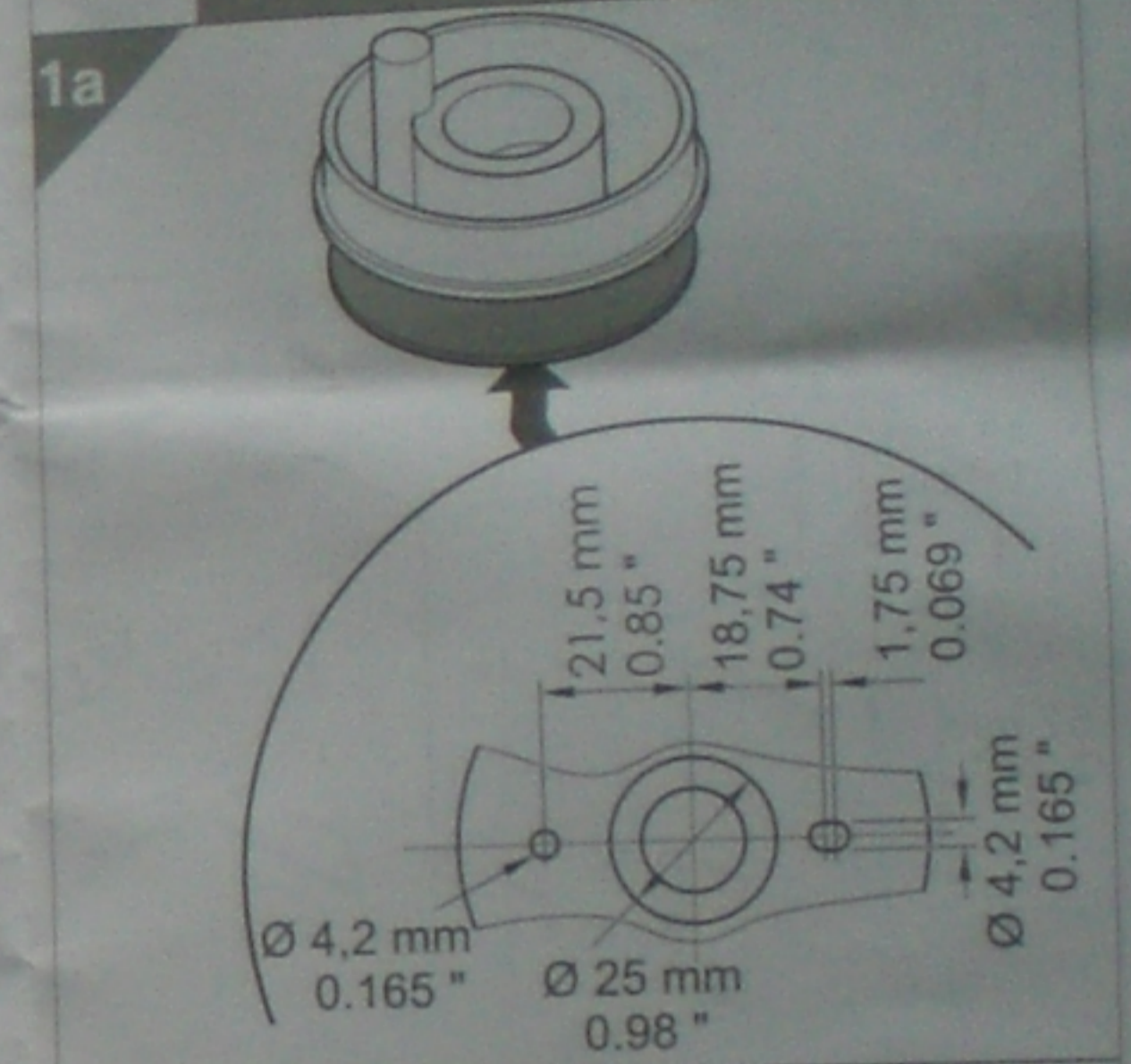
696 009 75	24 V AC/DC	⊗ < 30 mA
696 019 75	24 V AC/DC	⊗ < 30 mA
696 029 75	24 V AC/DC	⊗ < 30 mA
696 109 75	24 V AC/DC	⊗ < 40 mA
696 119 75	24 V AC/DC	⊗ < 40 mA
696 129 75	24 V AC/DC	⊗ < 40 mA
696 039 75	24 V DC	⊗ < 30 mA ☐ < 25 mA
696 049 75	24 V DC	⊗ < 30 mA ☐ < 25 mA
696 059 75	24 V DC	⊗ < 30 mA ☐ < 25 mA

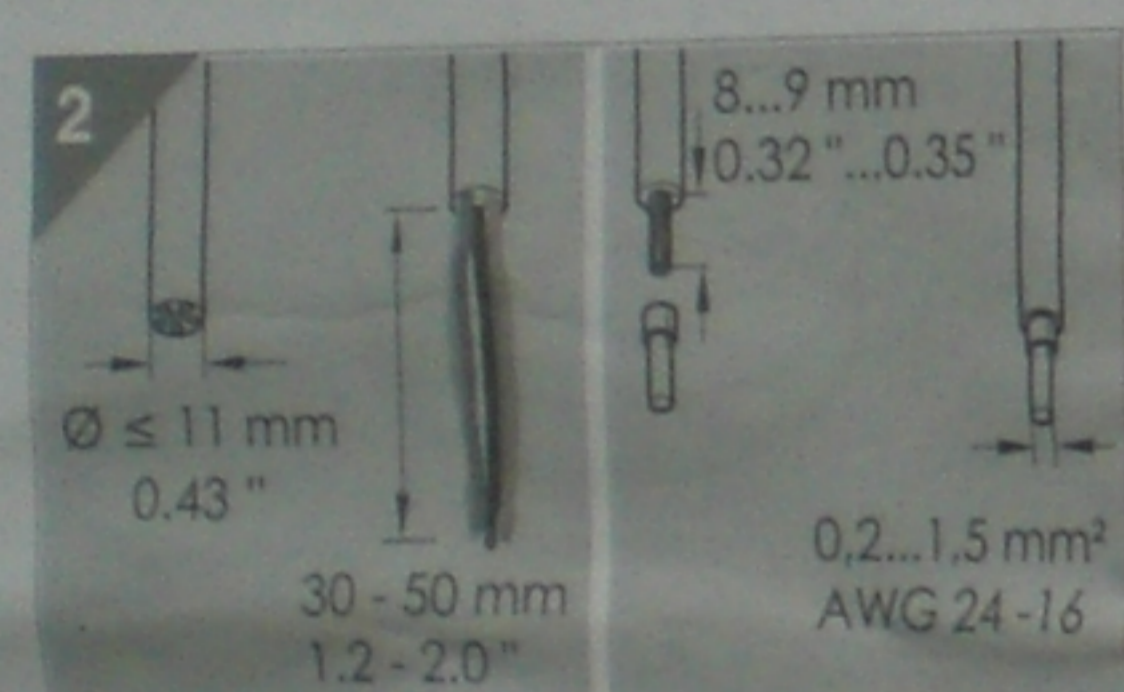
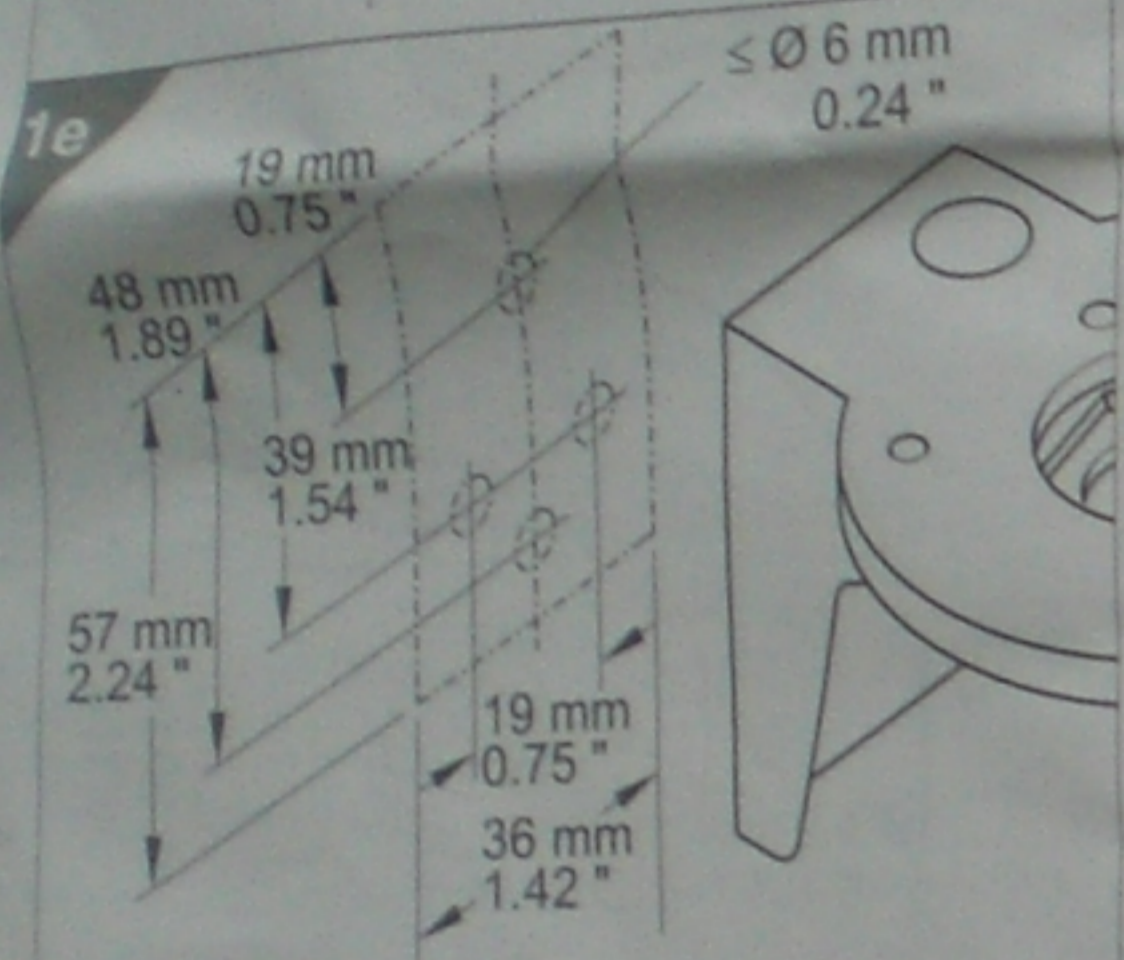
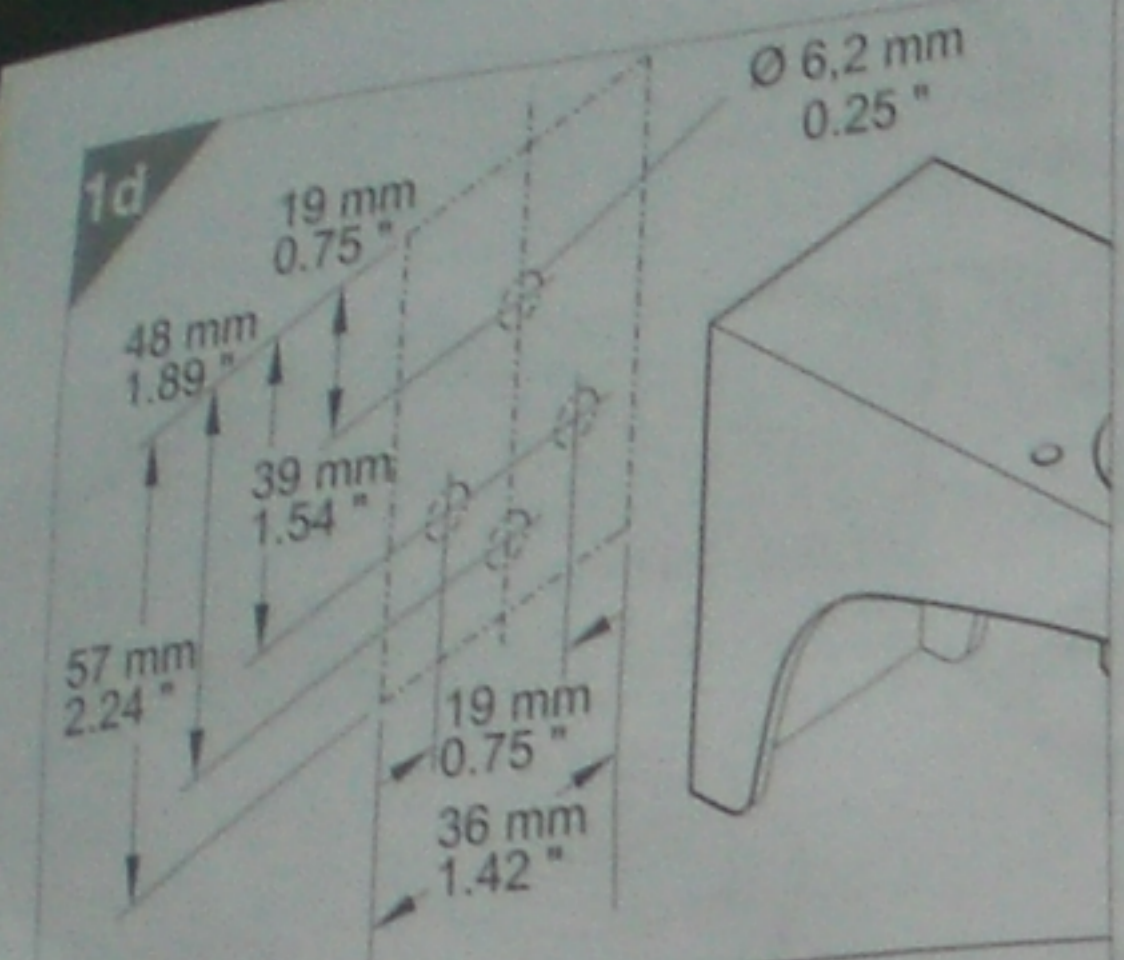
696 139 75	24 V DC	⊗ < 40 mA ☐ < 25 mA
696 149 75	24 V DC	⊗ < 40 mA ☐ < 25 mA
696 159 75	24 V DC	⊗ < 40 mA ☐ < 25 mA



1

1a	- 696
1b	- 975 849 11, 975 849 90, 975 849
1c	- 960 009 09
1d	- 960 009 08, 960 009 07
1e	- 960 009 01





- 3a - 696
- 3b - 960 009 08
- 3c - 960 009 09
- 3d - 975 849 10, ...
975 849 11, 960 009 10, ...
- 3e - 960 009 01 + 975 849 11, 975 849 90,
975 849 91
- 3f - 960 009 07 + 960 009 10, ...

