

# CAIRO 140\*200 OTTOMAN BED

## IMPORTANT INFORMATION!

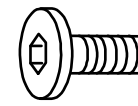
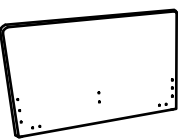
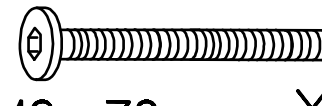
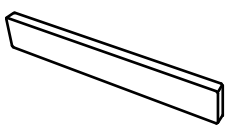

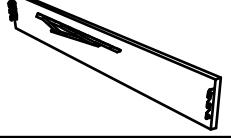
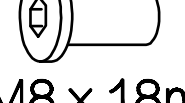


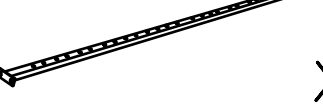

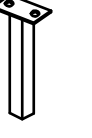


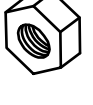
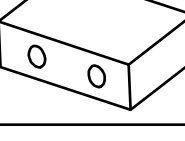
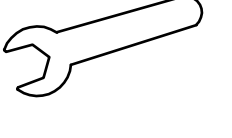
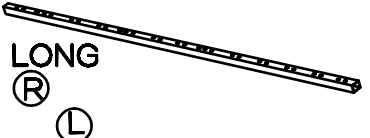
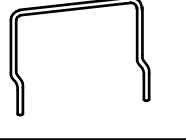
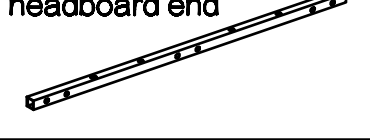
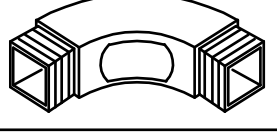
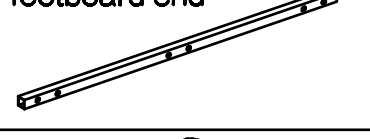




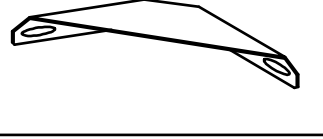
WE ADVISE YOU THAT BEFORE STARTING THE ASSEMBLY OF THIS PRODUCT PLEASE FAMILIARISE YOURSELF WITH THE IMPORTANT INSTRUCTIONS LISTED BELOW.

**DO NOT'S**

- DO NOT OVER TIGHTEN ANY PART OF THIS ASSEMBLY.
- DO NOT USE WASHING POWDER OR OTHER SUBSTANCES CONTAINING ABRASIVES WHEN CLEANING THE FURNITURE. AS THESE MAY SCRATCH THE FURNITURE.
- DO NOT USE ANY TOOLS OTHER THAN THOSE SHOWN.
- DO NOT FOR ANY REASON USE A POWER TOOL TO ASSEMBLE THIS PRODUCT,ITS USE COULD MAKE THIS PRODUCT UNSAFE.
- DO NOT DRAG FULLY ASSEMBLED FURNITURE.WE RECOMMEND 2 PEOPLE TO LIFT FURNITURE CLEAR OF THE FLOOR TO MOVE.

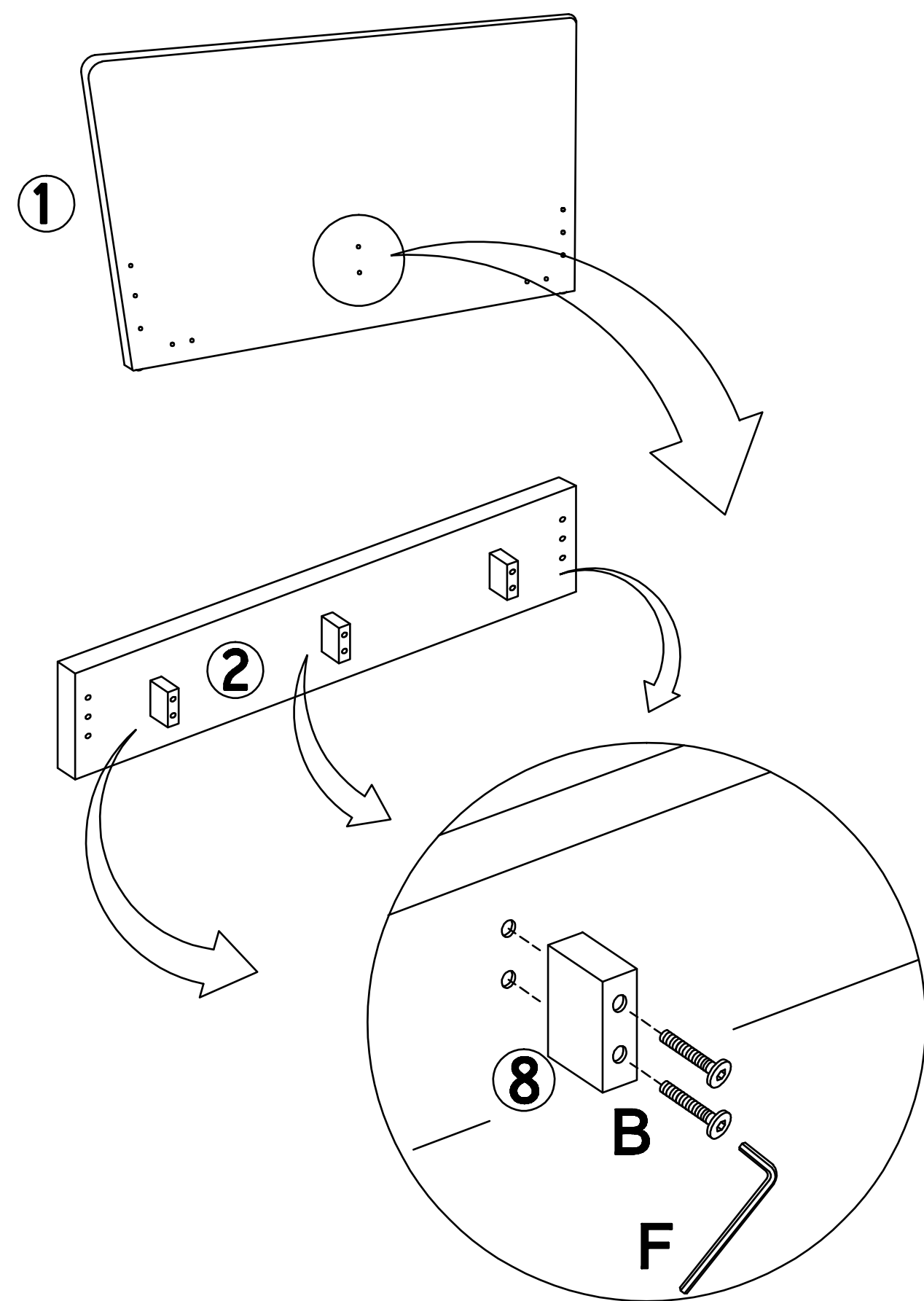
**DO'S**

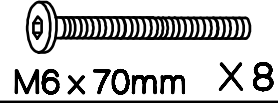
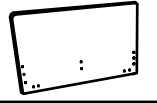

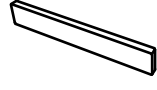
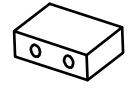
- DO USE A DAMP CLOTH(NOT WET)DRY DUSTER FOR CLEANING THE FURNITURE
- DO TIGHTEN UP THE HARDWARES FROM TIME TO TIME DEPENDING ON THE USE OF PRODUCT.THIS IS COMPLETELY NORMAL FOR ANY FLAT PACK FURNITURE.

<b>A</b>	BOLT	 M8 x 15mm X 12	<b>1</b>	HEADBOARD	 X 1
<b>B</b>	BOLT	 M6 x 70mm X 8	<b>2</b>	FOOTBOARD	 X 1
<b>C</b>	BOLT	 M8 x 25mm X 38	<b>3</b>	SIDR RAIL	 X 2
<b>D</b>	NUT	 M8 x 18mm X 26	<b>4</b>	STRAP	 X 1
<b>E</b>	BOLT	 M8 x 35mm X 4	<b>5</b>	SUPPORT RAIL	 X 1
<b>F</b>	ALLEN KEY	 4 x4 X 1	<b>6</b>	SUPPORT LEG	 X 2
<b>G</b>	ALLEN KEY	 5 x5 X 2	<b>7</b>	SLATS	 X 28
<b>H</b>	FLANG NUT	 X 2	<b>8</b>	SUPPORT BAR	 X 4
<b>I</b>	SPANNER	 X 1	<b>9</b>	METAL FRAME	 LONG Ⓡ Ⓛ X 2
<b>J</b>	HOOK	 X 2	<b>10</b>	METAL FRAME	 headboard end X 1
<b>K</b>	METAL FRAME CONNECTIOR	 X 4	<b>11</b>	METAL FRAME	 footboard end X 1
<b>L</b>	CAP	 SINGLE X 28	<b>12</b>	NON WOVEN FABRIC	 X 1
<b>M</b>	CAP	 DOUBLE X 14	<b>13</b>	CENTER SUPPORT BAR	 X 1
<b>N</b>	LINK	 X 6			

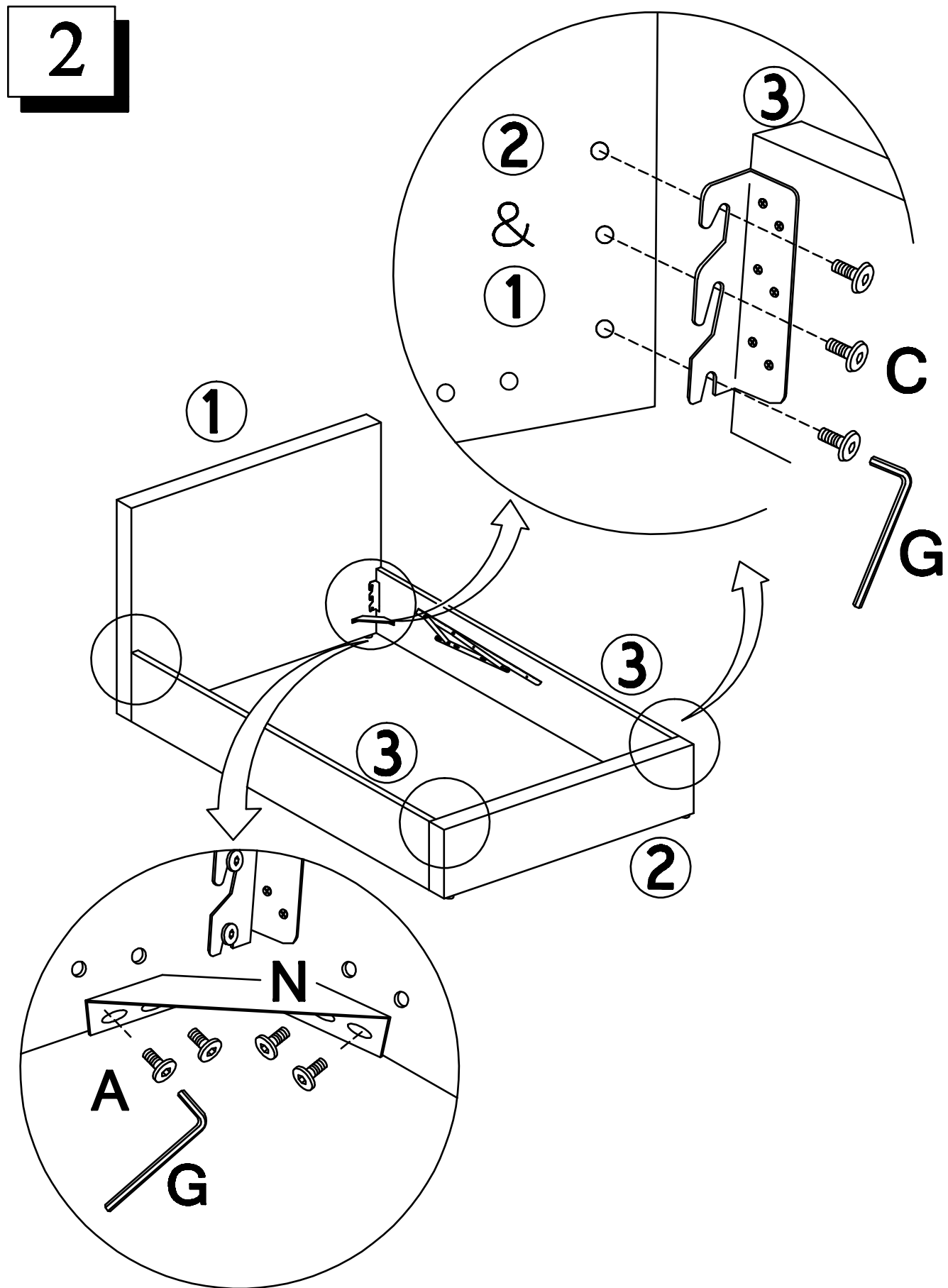
# KINDLY FOLLOW ASSEMBLY INSTRUCTION STEP BY STEP


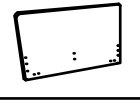
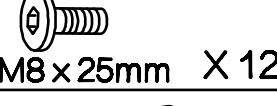




1



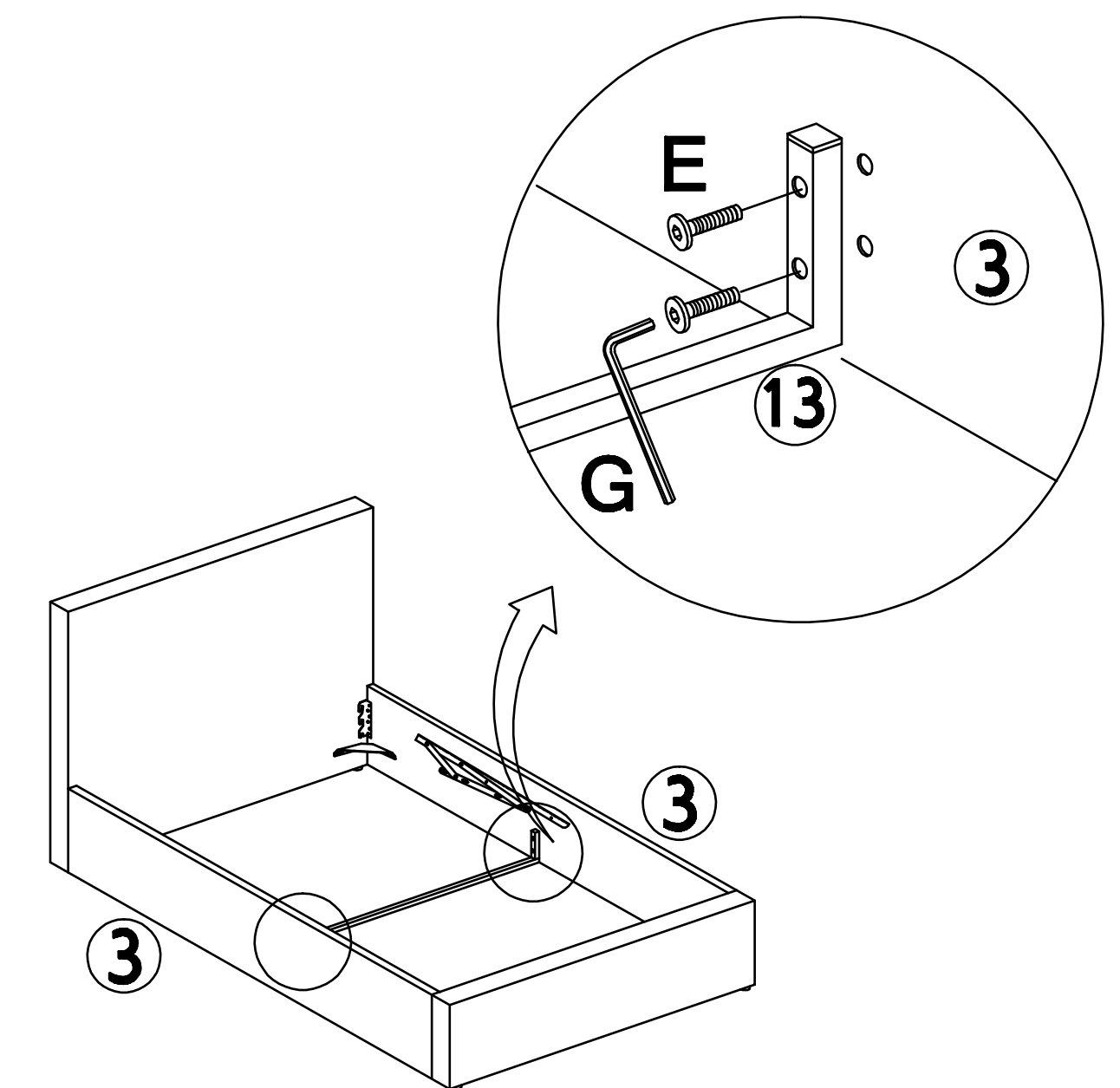
<b>B</b>	BOLT		M6 x 70mm X 8	<b>1</b>	HEADBOARD		X 1
<b>F</b>	ALLEN KEY		4x4 X 1	<b>2</b>	FOOTBOARD		X 1
				<b>8</b>	SUPPORT BLOCK		X 4

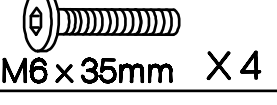


2



<b>A</b>	BOLT		M8 x 15mm X 8	<b>1</b>	HEADBOARD		X 1
<b>C</b>	BOLT		M8 x 25mm X 12	<b>2</b>	FOOTBOARD		X 1
<b>G</b>	ALLEN KEY		5 x 5 X 65mm X 1	<b>3</b>	SIDR RAIL		X 2
<b>N</b>	LINK		X 2				

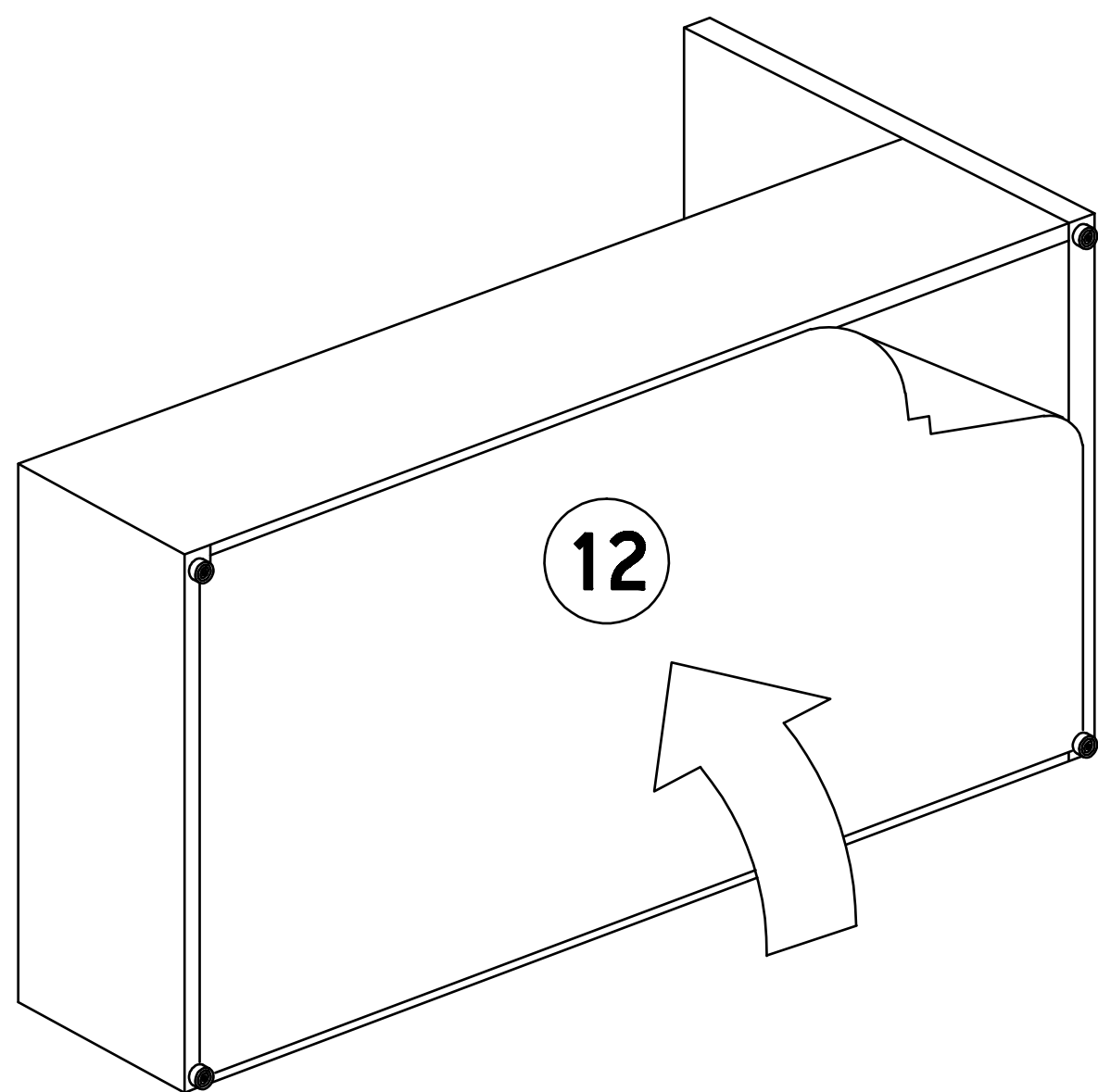
3



<b>E</b>	BOLT		M6 x 35mm X 4	<b>13</b>	CENTER SUPPORT BAR		X 1
<b>G</b>	ALLEN KEY		5 x 5 X 1				

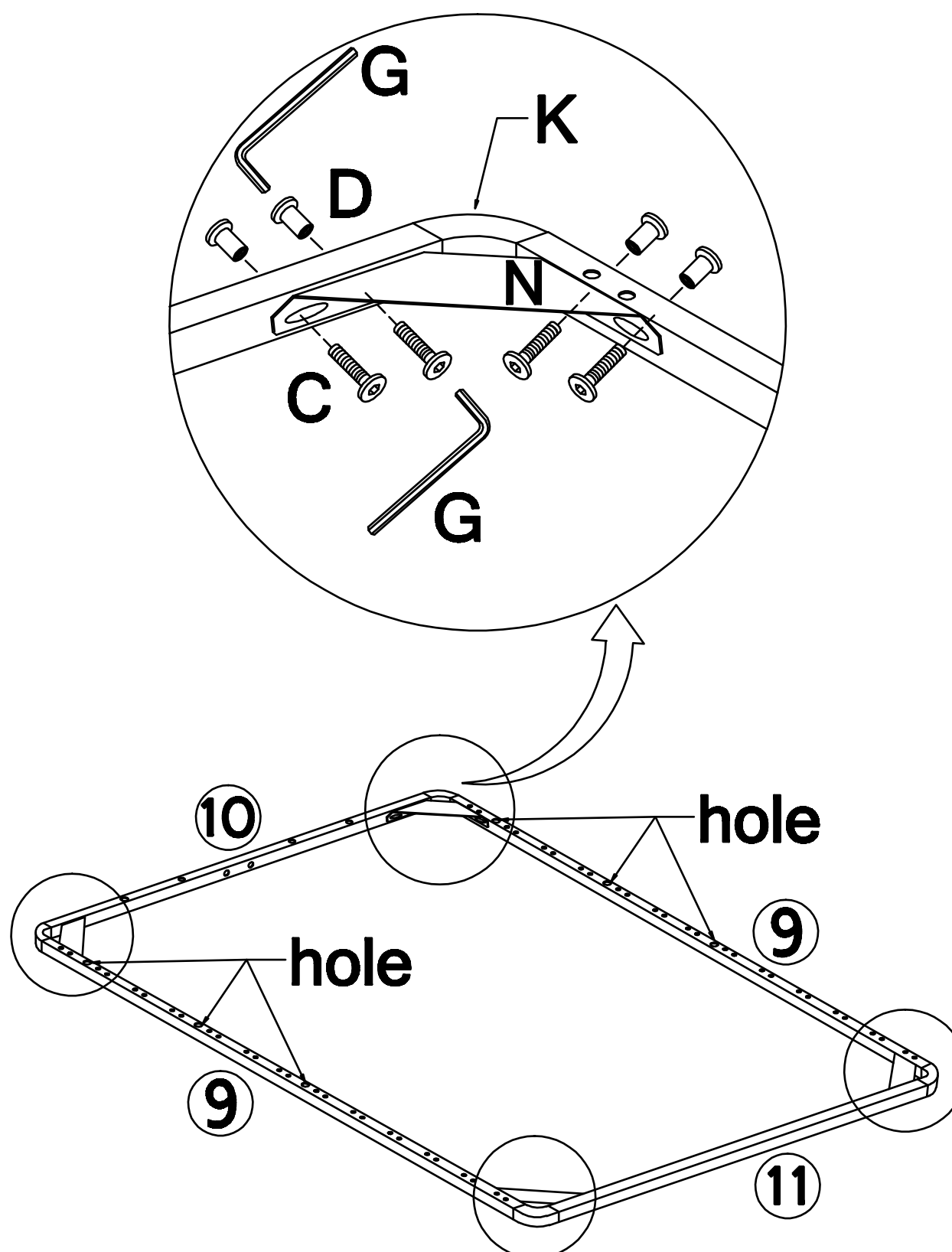
# KINDLY FOLLOW ASSEMBLY INSTRUCTION STEP BY STEP

4



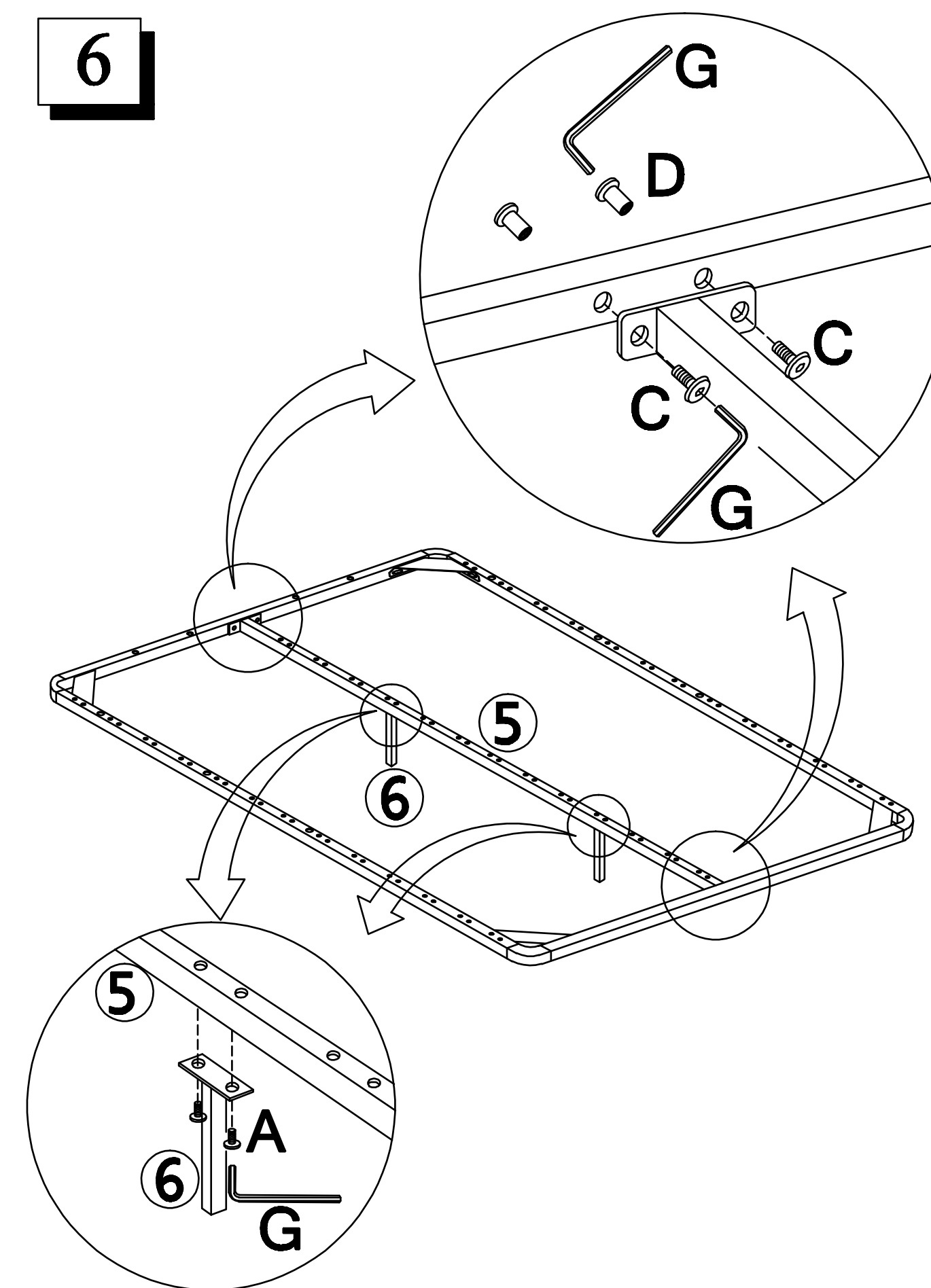
**12** NON WOVEN FABRIC X1

5



<b>C</b>	BOLT	M8 x 25mm X 16	<b>9</b>	METAL FRAME	LONG X 2
<b>D</b>	NUT	M8 x 18mm X 16	<b>10</b>	METAL FRAME	headboard end X 1
<b>G</b>	ALLEN KEY	5 x 5 X 2	<b>11</b>	METAL FRAME	footboard end X 1
<b>K</b>	METAL FRAME CONNECTOR	X 4			
<b>N</b>	LINK	X 6			

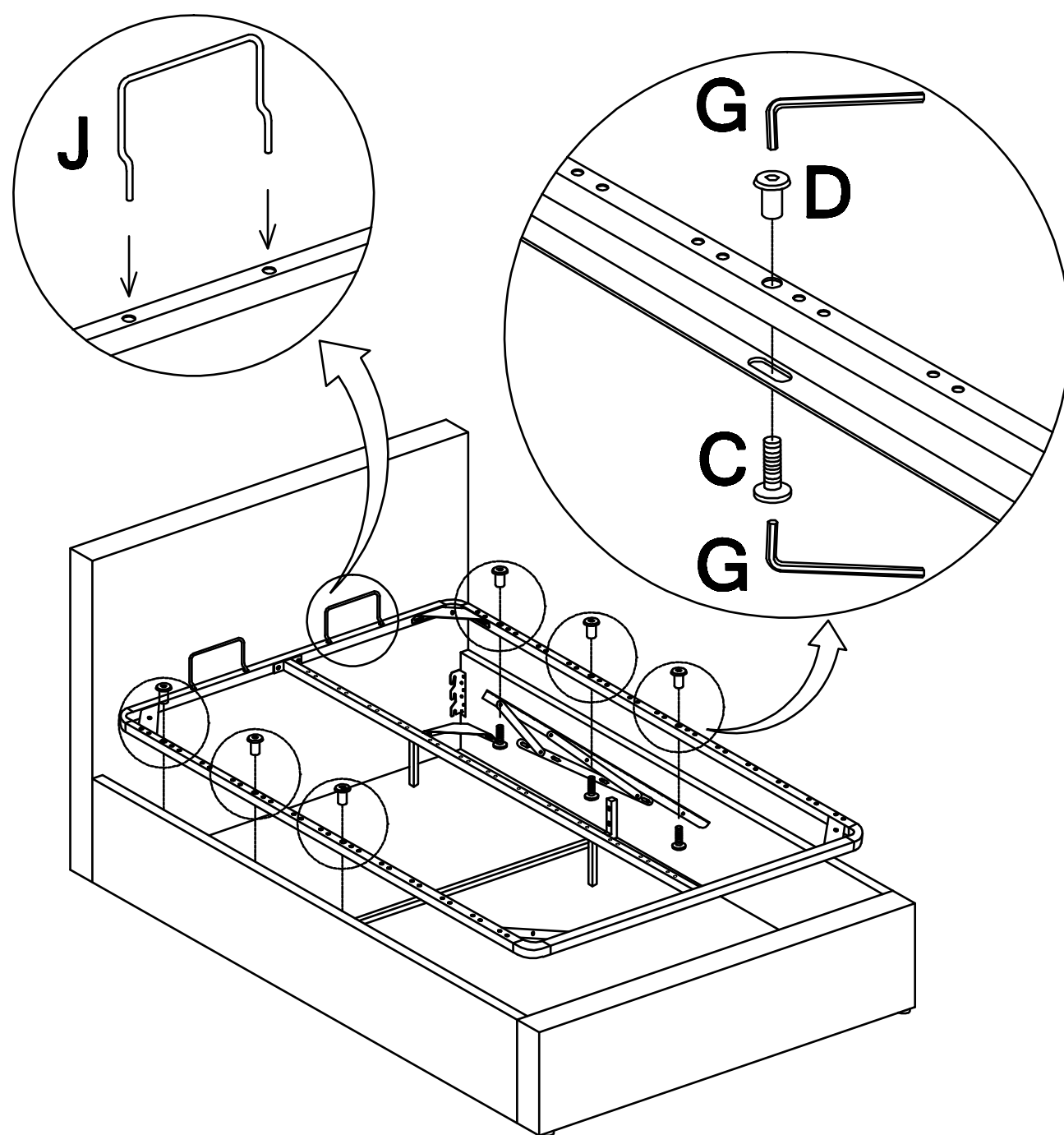
6

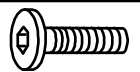
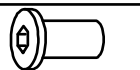
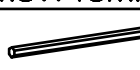



<b>C</b>	BOLT	M8 x 25mm X 4	<b>5</b>	SUPPORT RAIL	X 1
<b>D</b>	NUT	M8 x 18mm X 4	<b>6</b>	SUPPORT LEG	X 2
<b>A</b>	BOLT	M8 x 15mm X 4			
<b>G</b>	ALLEN KEY	5 x 5 X 2			

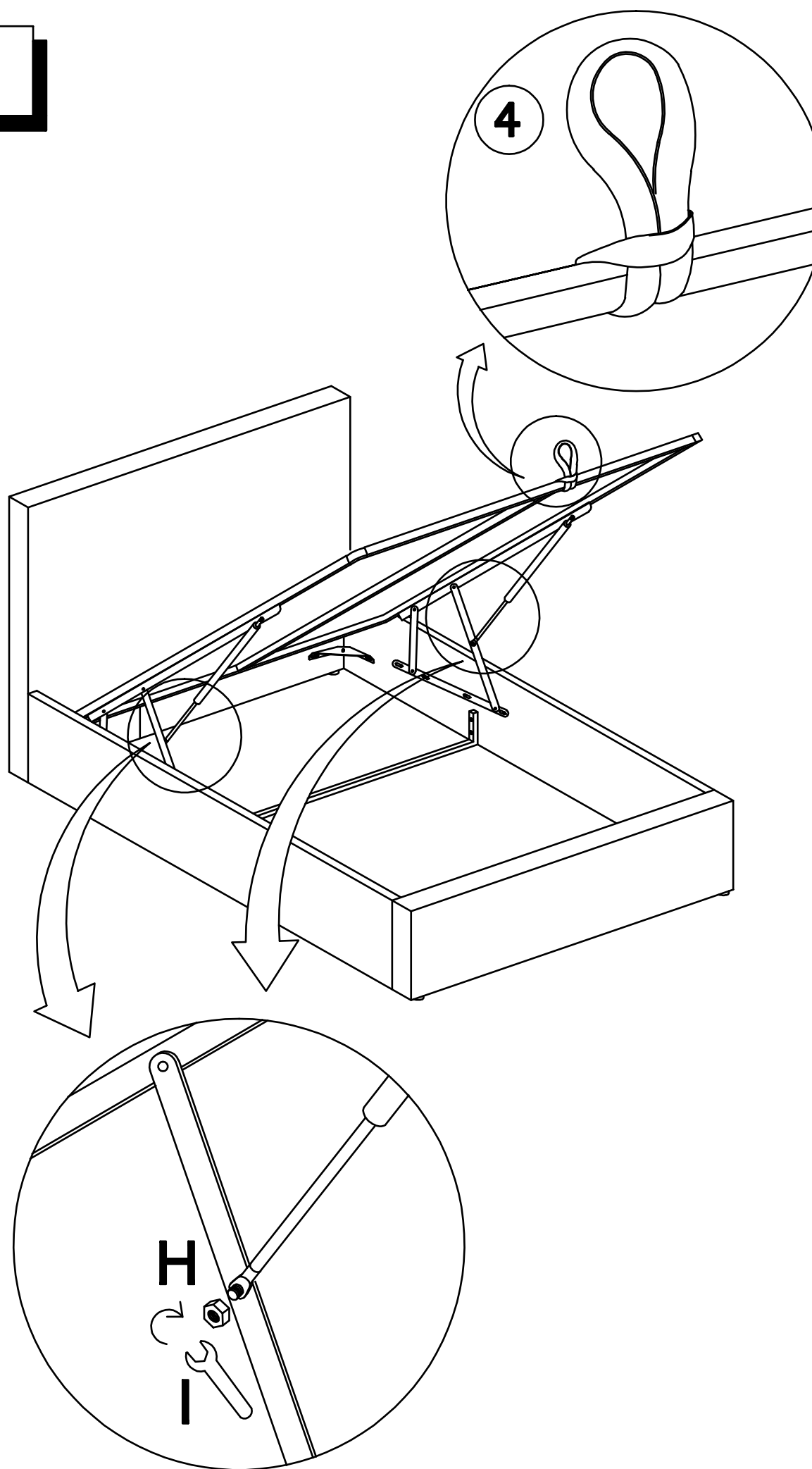
# KINDLY FOLLOW ASSEMBLY INSTRUCTION STEP BY STEP




7



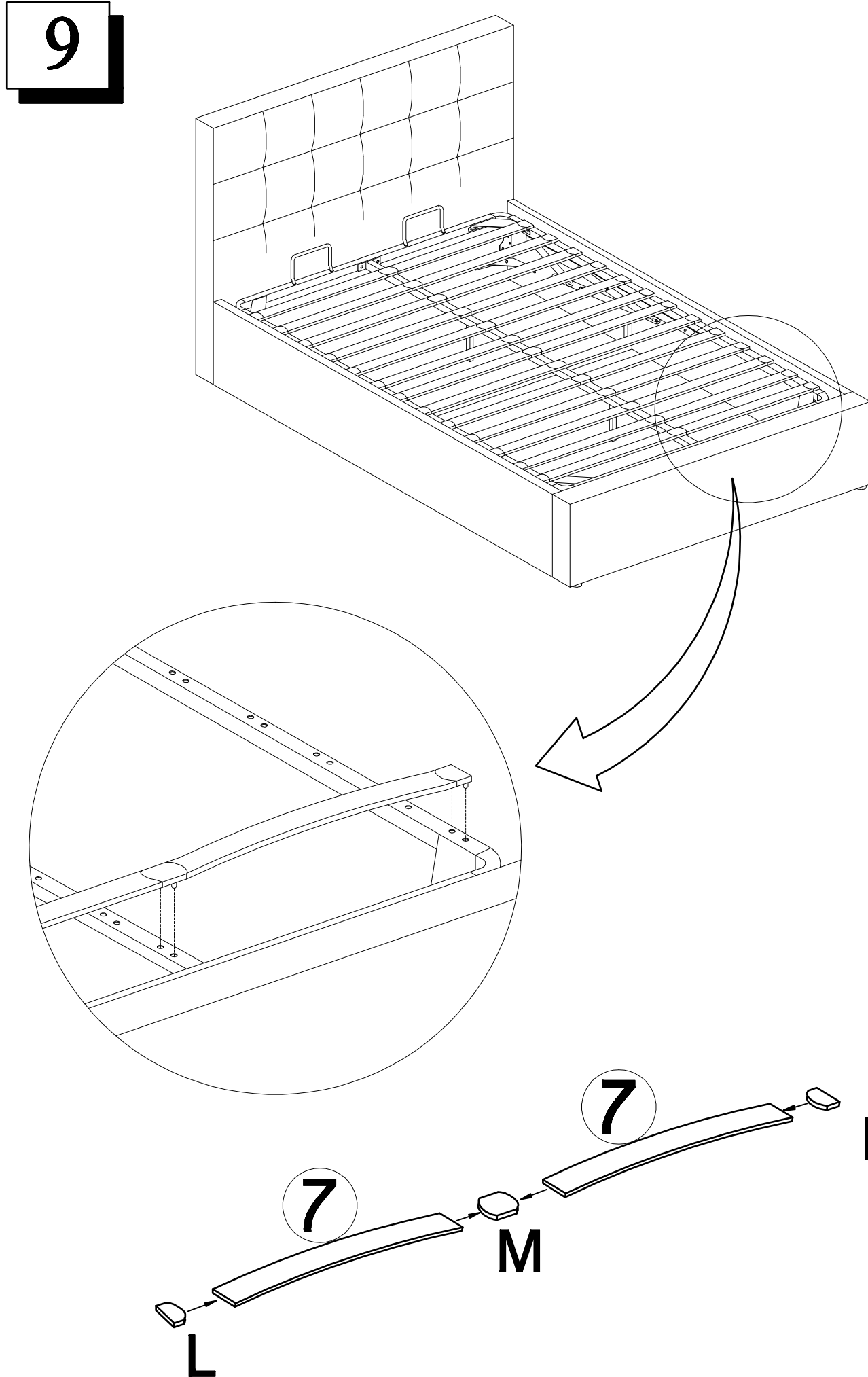
<b>C</b>	BOLT		M8 x 25mm	X 6		
<b>D</b>	NUT		M8 x 18mm	X 6		
<b>G</b>	ALLEN KEY		5 x 5	X 2		
<b>J</b>	HOOK			X 2		




8



<b>H</b>	FLANG NUT		X 2	<b>4</b>	STRAP		X 1
<b>I</b>	SPANNER		X 1				

9



<b>L</b>	CAP		SINGLE	X 28	<b>7</b>	SLATS		X 28
<b>M</b>	CAP		DOUBLE	X 14				