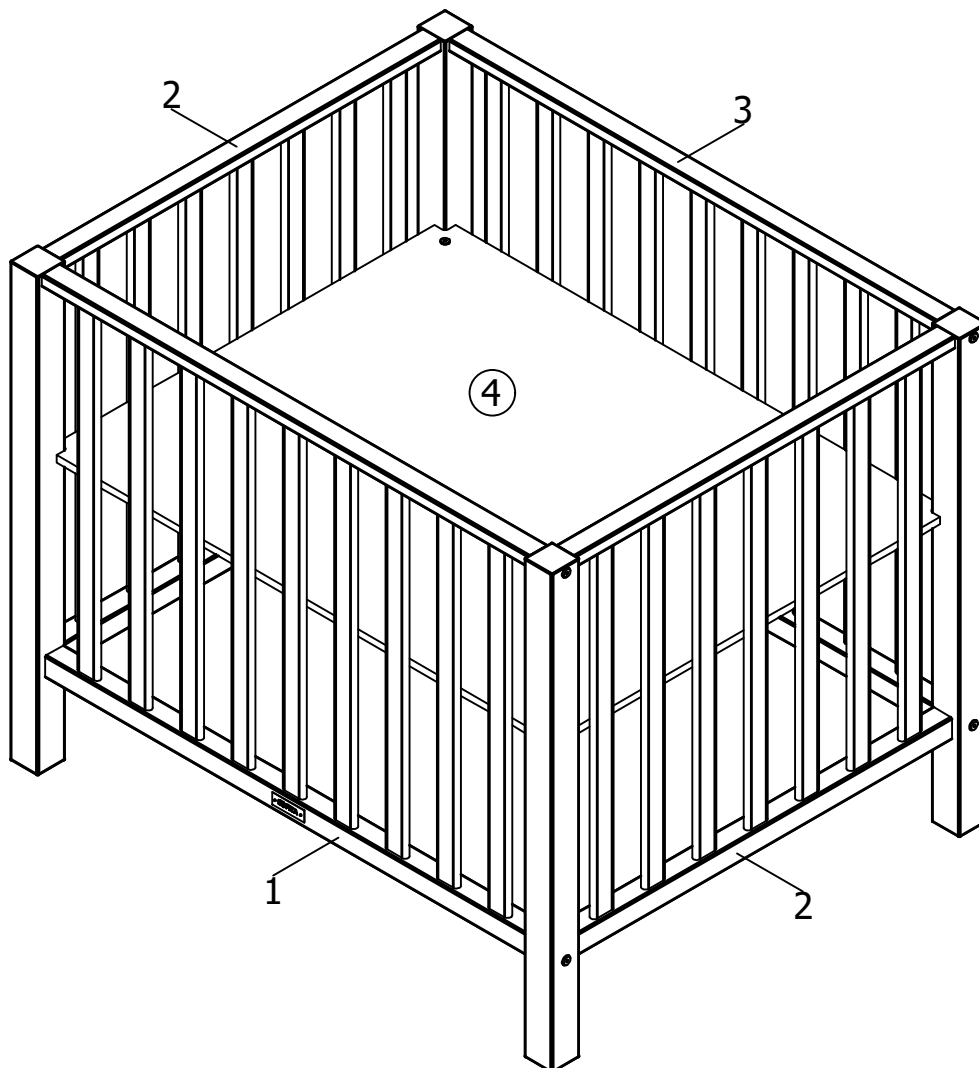


ASSEMBLY INSTRUCTION
MONTAGE HANDLEIDING
MONTAGE ANLEITUNG
NOTICE DE MONTAGE
MANUAL DE MONTAJE

UK
NL
D
F
ESP

MODEL
TYPE
COLOUR
ART.CODE

:BRENT
:PLAYPEN
:NATURAL
:1052.01









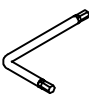

Distributor:

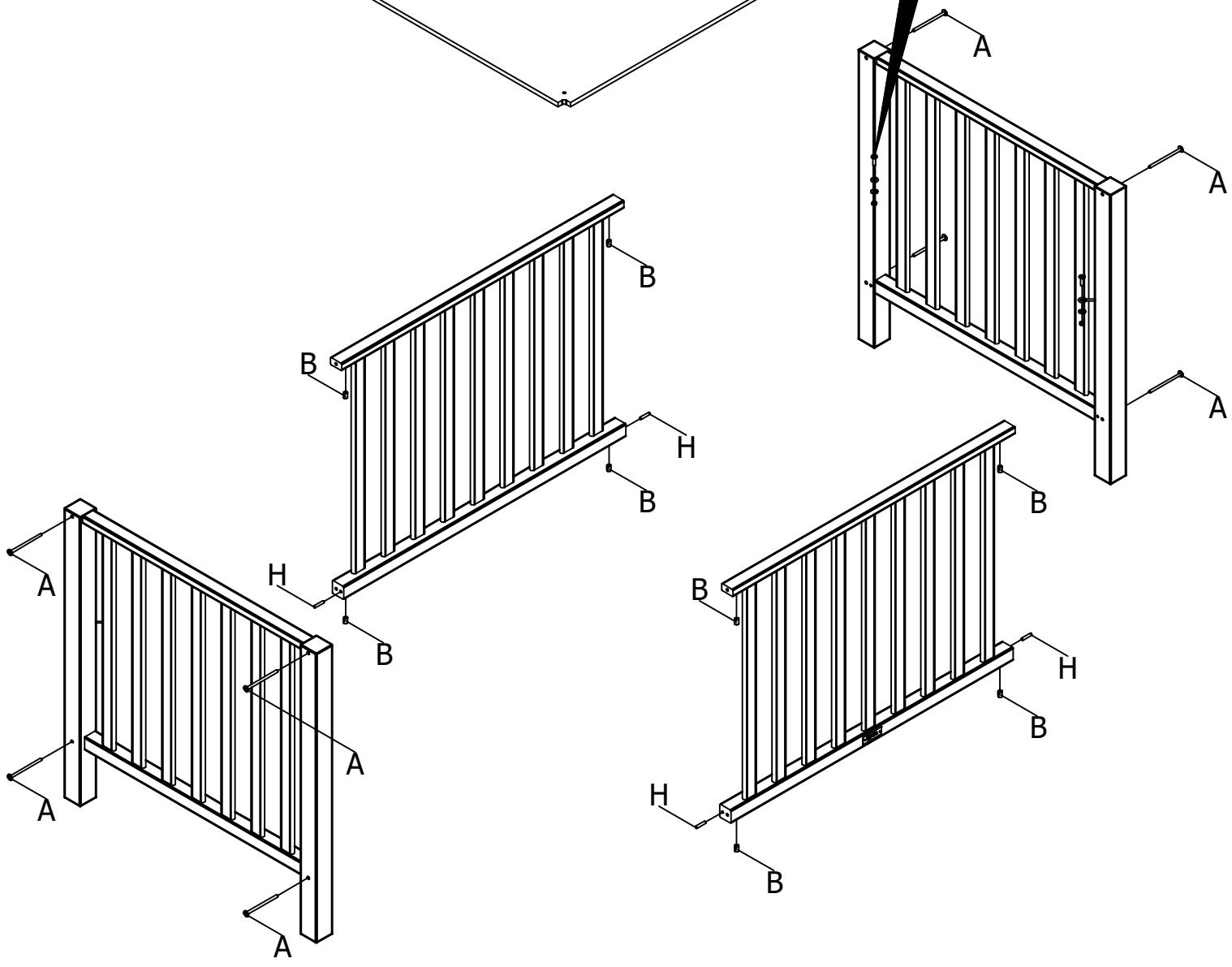
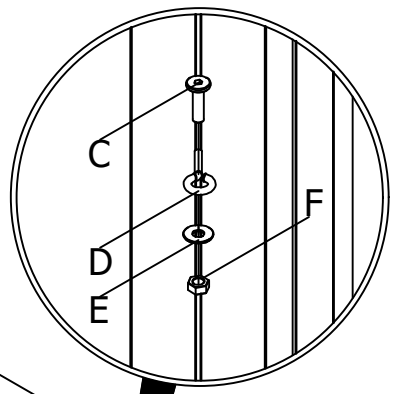
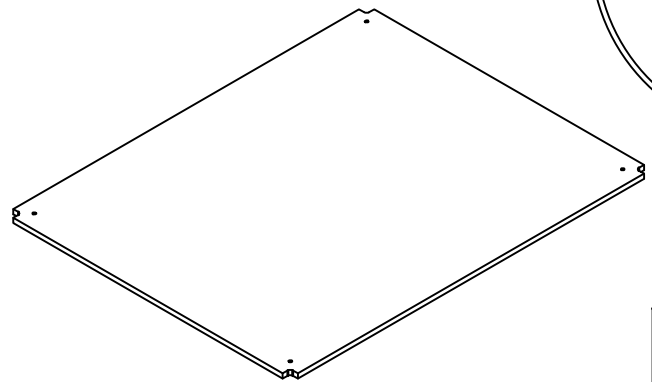
BOPITA
Energieweg 1
6662 NS Elst
The Netherlands

www.bopita.com

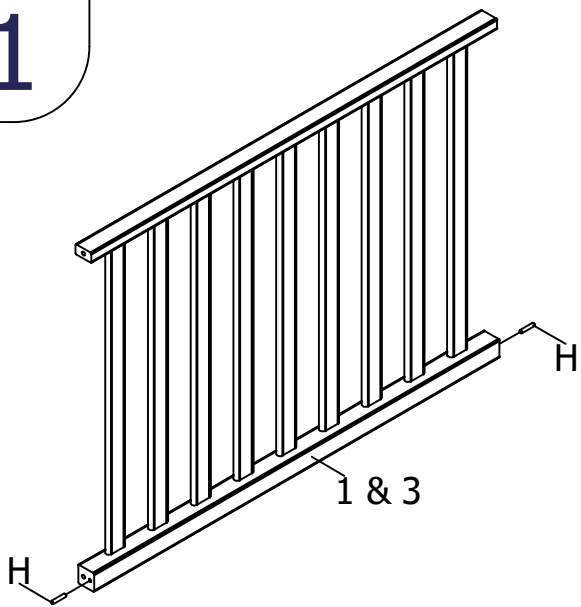
26.02.2022.

<p>A</p>  <p>M6X90 8X</p>	<p>B</p>  <p>M6 8X</p>	<p>C</p>  <p>M6X25 4X</p>	<p>D</p>  <p>4X</p>	<p>E</p>  <p>Ø6 4X</p>	<p>F</p>  <p>M6 4X</p>
--	---	--	--	---	---

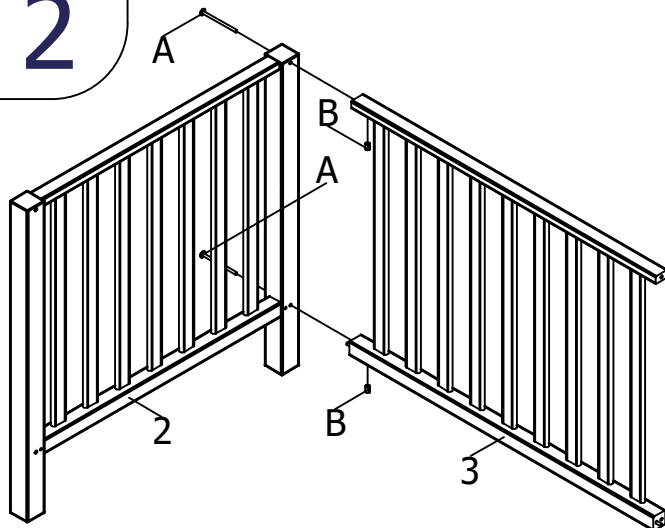
<p>G</p>  <p>SW4 1X</p>	<p>H</p>  <p>Ø6X30 4X</p>
--	--



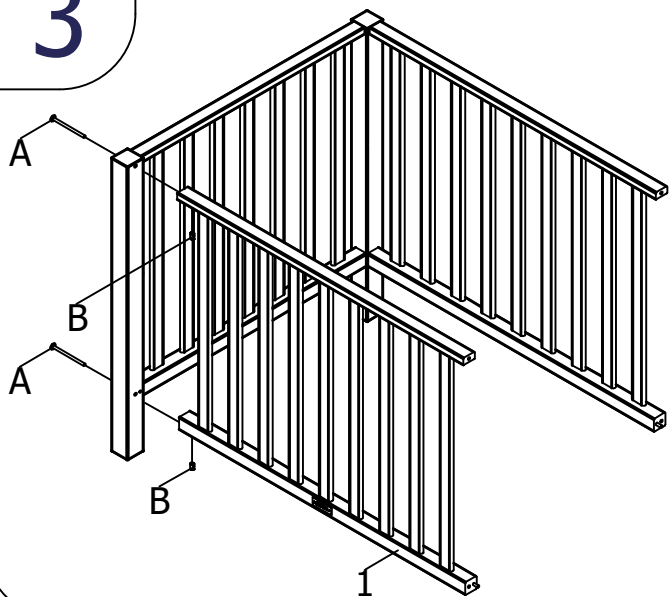
1



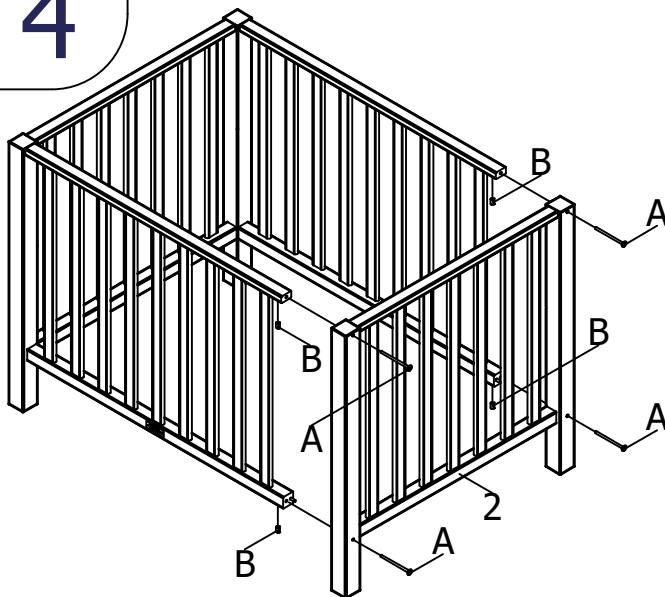
2



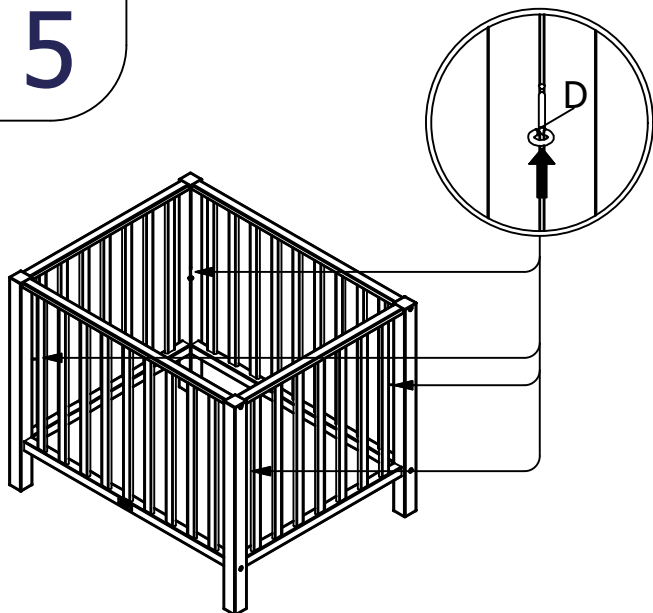
3



4



5



6

