

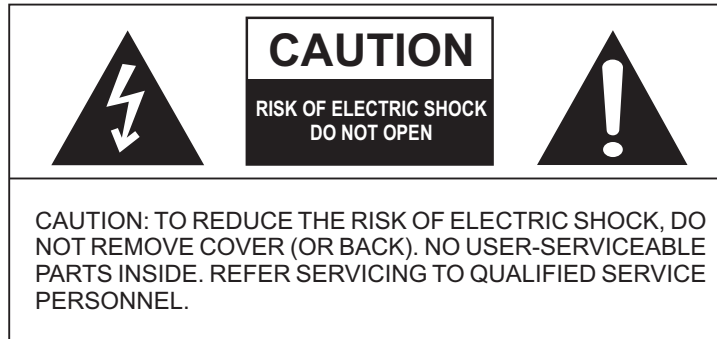


Model No. CD-1588



**INSTRUCTION MANUAL
GEBRUIKERSHANDLEIDING
BEDIENUNGSANLEITUNG
MODE D'EMPLOI
MANUAL DE INSTRUCCIONES
MANUAL DE INSTRUÇÕES
INSTRUKCJE OBSŁUGI**

SAFETY INFORMATION



The lightning flash with arrowhead symbol, within an equilateral triangle, is intended to alert the user to the presence of uninsulated "dangerous voltage" within the product's enclosure that may be of sufficient magnitude to constitute a risk of electric shock to persons.



The exclamation point within an equilateral triangle is intended to alert the user to the presence of important operating and maintenance (servicing) instructions in the literature accompanying the appliance.



DANGER

Invisible laser radiation when open and interlock failed or defeated. Avoid direct exposure to beam.

WARNING

To prevent fire or shock hazard, do not expose this appliance to rain or moisture. To avoid electrical shock, do not open the cabinet, refer servicing to qualified personnel only.

CAUTION

Use of controls or adjustments or performance of procedures other than those specified herein may result in hazardous radiation exposure.

PRECAUTIONS

Please read these precautions before operating this player.

Power Cord Protection

To avoid any malfunctions of the player, and to protect against electric shock, fire or personal injury, please observe the following.

- Hold the plug firmly when connecting or disconnecting the AC power cord.
- Do not connect or disconnect the AC power cord when your hands are wet.
- Keep the AC power cord away from heating appliances.
- Never put any heavy object on the AC power cord.
- Do not attempt to repair or reconstruct the AC power cord in any way.
- Remove dust, dirt, etc. on the plug at regular intervals.

Placement

Avoid placing the player in areas of:

- direct sunlight or heating radiators, or closed automobiles
- high temperature (over 35°C) or high humidity (over 90%)
- excessive dust
- vibration, impact or where the surface is tilted as the internal parts may be seriously damaged.

Non-use periods

When left unused for a long period of time, the player should be unplugged from the household AC outlet.

No fingers or other objects inside

- Touching internal parts of this player is dangerous, and may cause serious damage to the player. Do not attempt to disassemble the player.
- Do not put any foreign object on the disc tray.

Keep away from water and magnetic object

- Keep the player away from flower vases, tubs, sinks, etc. If liquids are spilled into the player, serious damage could occur.
- Keep magnetic objects such as speakers, at a distance from the player.

Stacking

- Place the player in a horizontal position, and do not place anything heavy on it.
- Do not place the player on amplifiers or other equipment which may become hot.

Condensation

moisture may form on the lens in the following conditions:

- immediately after a heater has been turned on.
- in a steamy or very humid room.
- when the player is moved from a cold environment to a warm one.

If moisture forms inside this player, it may not operate properly. In this case, turn off the power and wait about one hour for the moisture to evaporate.

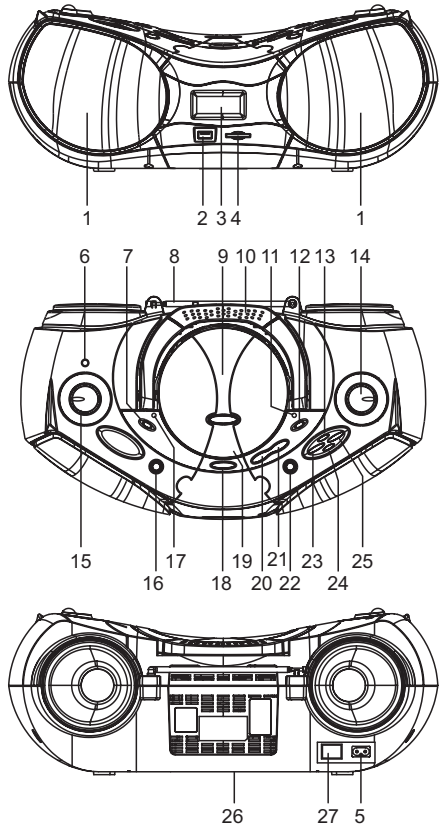
Caution:

- To avoid electric shock, this unit must not be exposed to dripping water or water splash.
- Minimum distances around the apparatus for sufficient ventilation.
- The ventilation should not be impeded by covering the ventilation openings with items, such as newspapers, table-cloths, curtains, etc.
- No naked flame sources, such as lighted candles, should be placed on the apparatus.
- The use of apparatus in tropical and/or moderate climates.
- Before scrapping the appliance, remove the batteries and place them in the appropriate battery collection container.

PORTABLE CD/MP3 DISC PLAYER

STEREO RADIO WITH USB&SD/MMC CARD READER

Please read and follow these instructions before using your unit.



LOCATION OF CONTROLS

1. SPEAKERS
2. USB PORT
3. LCD DISPLAY
4. SD/MMC CARD SLOT
5. AC SOCKET
6. AUX IN JACK
7. FUNCTION SWITCH
8. FM TELESCOPIC ANTENNA
9. CD DOOR
10. HANDLE
11. FM ST. INDICATOR
12. BAND SWITCH
13. MODE BUTTON
14. TUNING CONTROL
15. VOLUME CONTROL
16. USB/CARD BUTTON
17. POWER INDICATOR
18. CD DOOR OPEN BUTTON
19. CD DOOR PUSH CLOSE AREA
20. STOP BUTTON
21. PLAY/PAUSE BUTTON
22. +10/ALBUM BUTTON
23. SKIP/SEARCH DOWN BUTTON
24. EQ/PROGRAM BUTTON
25. SKIP/SEARCH UP BUTTON
26. BATTERY COMPARTMENT
27. MAINS POWER SWITCH (OPTIONAL)

POWER SUPPLY

❑ BATTERY OPERATION

1. Remove the battery compartment cover gently.
2. Install 8 x 'C' size batteries (UM-2 or equivalent) taking care that the correct polarities are observed.
3. Replace the battery compartment cover.

NOTE:

- The AC line cord must be removed for battery operation.
- To avoid damage which may result from leaking batteries, remove the batteries when they become weak or when the unit is not to be used for long period of time.

❑ AC OPERATION

Insert one end of the AC power cord to the socket located at the rear of the player, and the other end to the wall outlet.

PLAY THE RADIO

1. Slide the FUNCTION switch to the RADIO position, the POWER Indicator will light up.
2. Select the desired band with the BAND switch.
3. Tune to the desired station by rotating the TUNING control. (Move the control back and forth until you get the strongest clearest sound).
4. The built-in AM (MW) antenna and external FM TELESCOPIC ANTENNA are directional.
 - When receiving an FM broadcast, fully extend the TELESCOPIC ANTENNA and position for the best reception.
 - For AM (MW) broadcasts, rotate the whole set until the best reception is heard.
5. Adjust the volume level to a comfortable listening level.
6. To turn off the radio, slide the FUNCTION switch to the OFF position.

NOTES:

- If a particular FM (STEREO) station is weak, or you hear too much background noise, try moving the position of the band selector switch to the FM (MONO) position. This can often result in a much clearer reception.
- When the band selector switch is set to FM STEREO and a stereo broadcast is being received, the FM STEREO indicator will be lit.

HANDLE AND MAINTAIN A COMPACT DISC.

Follow the instructions below to handle and maintain your disc in order that long time and trouble free performance can possibly be obtained:

- Ensure not to caress the rain bow side of the disc; handle the disc by the edge.
- Long time exposure to sunshine, high temperatures and humidity will damage the disc. Keep the storage area clean.
- Avoid sticking labels on both sides of a disc. Writing with pointed articles on the disc should be strictly avoided.
- Clean the disc wiping the centre and then working out to the edge with a dry & soft cloth or a disc brush. Avoid any cleansing lotion or chemical eradicator.
- Store them in their cases when they are not to be used.



LOAD A DISC

1. Slide the FUNCTION switch to the CD/MP3 position.
 - NOTE: If slide the FUNCTION switch to CD/MP3 position, please make sure other external devices should be disconnected.
2. Open the CD door.
3. Insert a disc with the label side facing upward (if the disc is upside down, the display will show "NO DISC").
4. Close the CD door by hand.
 - NOTE: Never touch the laser lens inside the CD compartment. If it ever gets dirty, clean it with a CD cleaner disc.

REMOVE A DISC

1. Make sure the CD/MP3 disc is not playing. If it is, press the CD STOP button.
2. Open the CD door.
3. Gently remove the disc.
4. Close the CD door by hand.
5. Replace the disc in its protective storage box.

PLAY A CD

1. Make sure the power is connected, slide the FUNCTION switch to CD/MP3 position, POWER indicator will light.
2. Load a disc into the CD compartment. Close the CD door, the disc will begin to spin.
3. Adjust the VOLUME to the desired volume level.
4. To stop playing temporarily, press the PLAY/PAUSE button.
 - The elapsed time of the current track flashes and an icon of "PAUSE" appears on the bottom of the LCD to indicate the player is in pause mode.
 - Resume normal play by pressing PLAY/PAUSE button again.
5. To stop playing, press the STOP button. The total tracks' number and whole playing time with an icon "STOP" on the bottom will be shown on the display.
6. To turn off the player, slide the FUNCTION switch to OFF position.

EQ SELECTION

Press EQ/Program button continuously during disc playback mode to select EQ sound effects among NORMAL, POP, ROCK, CLASSIC, JAZZ and BASS.

SKIP TRACKS AND SEARCH FOR A SPECIFIC POINT TO PLAY

1. Press once the SKIP/SEARCH up button in music play to skip to the next track. To skip to a specific track ahead, press this button several times.
2. Press once the SKIP/SEARCH down button in music play to skip to last track. To skip to a specific track at back, press this button several times.
3. Press +10/ALBUM button once in play to skip to the track 10 tracks ahead, twice to skip to the track 20 tracks ahead. You can reach the last track of the disc using this button.
4. Hold the SKIP/SEARCH up button in music play to search forward at quick rate for a Specific point to play.
5. Hold the SKIP/SEARCH down button in music play to search backward at quick rate for a specific point to play.

PROGRAMMED PLAY

Programmed play is that tracks on the disc can be edited for playback in a preferred order with the use of PROGRAM button.

In CD stop mode, press EQ/PROGRAM button once, "PROG" shows in the LCD with a flickering track number and the program sequence indication "P-01", select the first track to be programmed using SKIP/SEARCH buttons, and press EQ/PROGRAM button again to store and advance to the next programming step. The program sequence indication changes to "P-02" waiting for your next input.

Repeat the steps above to program more tracks. A maximum of 20 tracks can be programmed in memory in a preferred order.

Press PLAY/PAUSE button to begin programmed play in the preferred order after you are done with programming. The player stops automatically after all programmed tracks are played.

You may press STOP button to terminate programmed playback. In program stop mode, press STOP button again to clear the programming; press PLAY/PAUSE button to begin the programmed playback with the programming order identical with the previous one done.

REPEAT A SINGLE TRACK

To repeat a preferred track in playback, press MODE button once, the LCD shows the icon for single track repeat. Then select the preferred track using SKIP/SERCH buttons or +10/ALBUM button. The player will repeat the chosen track until you press STOP button.

REPEAT ALL TRACKS

To repeat all tracks, press MODE button twice in play mode, the LCD shows the icon for all tracks repeat. The player will repeat all tracks until you press STOP button.

RANDOM PLAY

Random play is that tracks on the disc are played by the player at random. Press MODE button three times to enter this mode during play, "RAN" shows in the LCD. Press Play/Pause button or SKIP buttons to begin Random playback. Tracks on the disc will be selected at random for playback and the player stops automatically after all tracks are played. Press MODE button once more to exit random.

INTRODUCTION PLAY

Introduction play is that the first ten seconds of each track are played in a sequential order. Press MODE button four times to enter this mode during play, "INTRO" shows in the LCD. Press Play/Pause button to begin Introduction play from Track NO.1. Press SKIP up button to begin INTRO playback from the track immediately after the current track and SKIP down button to begin INTRO playback from the previous track. Press STOP button in Intro playback to exit Introduction play mode and press play/pause button to resume normal music play.

MP3-CD (WMA) PLAYBACK

This player is capable of MP3-CDs. It takes longer time for this player to read an MP3-CD than it does CD-DA. Wait patiently while it is reading.

After an MP3-CD is successfully read, the total number of albums and tracks show on the LCD. And a second later, playback begins from the first track of the first album with the Mp3 icon.

LOCATE A TRACK OR ALBUM AND SEARCH FOR A SPECIFIC POINT TO PLAY

1. Press once the SKIP/SEARCH up button in music play to skip to the next track. To skip to a specific track ahead, press this button several times.
2. Press once the SKIP/SEARCH down button in music play to skip to the last track. To skip to a specific track at back, press this button several times.
3. Press +10/ALBUM button once in play to skip to the track 10 tracks ahead, twice to skip to the track 20 tracks ahead. You can reach the last track of the current album using this button.
4. Hold the SKIP/SEARCH up button in music play to search forward at quick rate for a specific point to play.
5. Hold the SKIP/SEARCH down button in music play to search backward at quick rate for a specific point to play.
6. Hold the +10/ALBUM button, the album number will flash; press the Skip/Search button to select the desired album, press and hold the ALBUM button again for 2 seconds to confirm this album selection, the track number flickers for your input; select the desired track of the chosen album using the SKIP/SEARCH buttons. Finally, press PLAY/PAUSE button again to begin playing this chosen track.

REPEAT A SINGLE TRACK

To repeat a preferred track in playback, press MODE button once, the LCD shows the icon for single track repeat. Then select the preferred track using SKIP/SERCH buttons. The player will repeat the chosen track until you press STOP button.

REPEAT ALL TRACKS

To repeat all tracks, press MODE button twice in play mode, the LCD shows the icon for all tracks repeat. The player will repeat all tracks until you press STOP button.

REPEAT AN ALBUM

To repeat a preferred album in playback, press MODE button thrice, the LCD shows the icon for album repeat. Then select the preferred track using the +10/Album and Skip buttons together. The player will repeat the chosen album until you press STOP button.

RANDOM PLAY

Random play is that tracks on the disc are played by the player at random. Press MODE button four times to enter this mode during play, "RAN" shows in the LCD. Press Play/Pause button or SKIP buttons to begin Random playback. Tracks on the disc will be selected at random for playback and the player stops automatically after all tracks are played. Press MODE button once more to exit random and return to normal playback from the track it's reached.

INTRODUCTION PLAY

Introduction play is that the first ten seconds of each track are played in a sequential order. Press MODE button five times to enter this mode during play, "INTRO" shows in the LCD. Press Play/Pause button to begin Introduction play from Track NO.1. Press SKIP up button to begin INTRO playback from the track immediately after the current track and SKIP down button to begin INTRO playback from the previous track. Press Play/Pause button again in Intro playback to exit Introduction play mode and normal music play resumes.

PROGRAMMED PLAY

Programmed play is that tracks on the disc can be edited for playback in a preferred order with the use of PROGRAM button.

In MP3 stop mode, press EQ/PROGRAM button once, "PROG" shows in the LCD with a flickering album number and the program sequence indication "P-01"; select the album number to be programmed using SKIP/SEARCH buttons or +10/ALBUM button, and press PROGRAM button again to store; the track number flickers waiting for your selection. Choose the desired track with SKIP/SEARCH buttons or +10/ALBUM button. Press PROGRAM button again to confirm the first programming and advance to the next programming step. The program sequence indication changes to "P-02" waiting for your next input.

Repeat the steps above to program more tracks. A maximum of 99 tracks can be programmed in memory in a preferred order.

Press PLAY/PAUSE button to begin programmed play in the preferred order after you are done with programming. The player stops automatically after all programmed tracks are played.

You may press STOP button to terminate programmed playback. In program stop mode, press STOP button again to clear the programming; press PLAY/PAUSE button to begin the programmed playback with the programming order identical with the previous one done.

EXTERNAL MEMORY MEDIA OPERATION (USB, SD/MMC)

Prepare the player for external memory media operation.

Insert a USB data traveller into the USB port OR insert a SD/MMC card into the card slot; Slide FUNCTION switch to USB/AUX mode and playback will start from the first track.

NOTE: You may press the USB/CARD button to switch between USB and SD/MMC modes.

VARIOUS PLAY MODES

SKIPPING TRACKS AND SEARCHING BETWEEN TRACKS

Press the SKIP UP button once to skip the current track and play the next track, press this button continuously to go to corresponding tracks ahead.

Press the SKIP DOWN button once to skip to the last track, press this button continuously to go back to previous tracks.

Press and hold the +10/ALBUM button for 2 seconds during play, the album number flashes; select the desired album using the SKIP/SEARCH buttons; Press and hold the ALBUM button again for 2 seconds to confirm this album selection, the track number flickers for your input; select the desired track of the chosen album using the SKIP/SEARCH buttons. Finally, press PLAY/PAUSE button again to begin playing this chosen track.

Hold the SKIP/SEARCH up button in music play to search forward at quick rate for a specific point to play.

Hold the SKIP/SEARCH down button in music play to search backward at quick rate for a specific point to play.

REPEAT MODES

Press the MODE button once in play mode to repeat the current track; the LCD shows the icon for single track repeat.

Press the button for the twice time to repeat tracks stored on this storage media (USB/MMC card) as a whole; the LCD shows the icon for all tracks repeat.

Press the button thrice to repeat tracks in current directory as a whole. The LCD shows the icon for album repeat.

RANDOM PLAY

Press MODE button for the fourth time in play to activate random playback; the player will pick up tracks in a random sequence for playback after PLAY/PAUSE is pressed. You may press this button once again to exit random play mode and return to normal playback.

INTROSCAN PLAY

Press MODE button for the fifth time in play mode to activate introscan playback immediately; the player will pick up tracks for playback of the first 10 seconds of each track in a sequential order after PLAY/PAUSE button is pressed. You may press PLAY/PAUSE button once again to exit introscan play mode and return to normal playback from the track it's arrived at.

PROGRAMMED PLAY

In USB, SD/MMC card mode, there is also a programmed play function. A maximum of 99 tracks can be programmed.

Take the USB programmed play as an example:

Discs can be edited for playback in a preferred order with the use of the PROGRAM button. In stop mode, press the PROGRAM button once, "PROG USB" shows in the LCD with a flickering album number and the program sequence indication "P-01"; select the album number to be programmed using the SKIP/SEARCH or +10/ALBUM buttons, and press PROGRAM again to store; the track number flickers waiting for your selection. Choose the desired track with SKIP/SEARCH buttons or +10/ALBUM button. Press PROGRAM button again to confirm the first programming and advance to the next programming step. The program sequence indication changes to "P-02" waiting for your next input.

Repeat the steps above to program more tracks. A maximum of 99 tracks can be programmed in memory in a preferred order.

Press the PLAY/PAUSE button to begin programmed play in the preferred order after you are done with programming. The player stops automatically after all programmed tracks are played.

You may press STOP to terminate programmed playback. In program stop mode, press STOP again to clear the programming; press PLAY/PAUSE to begin the programmed playback with the programming order identical with the previous one done.

AUXILIARY IN

Your player can be used as a power amplifier to playback the programs from portable radio, TV set or MP3 player or whatever provide this appliance is so designed that audio signal may be produced through a LINE-OUT jack or the like. Observe the following steps to connect the player to another appliance:

1. Power the player on using the supplied AC Power Cord.
2. Slide the FUNCTION button to USB/AUX position.
3. Connect the appliance into the player's AUX in jack with LINE- OUT cable of the appliance.
4. Power on the appliance and begin play.

At this time you will be able to hear the sound produced from the programs the connected appliance is broadcasting.

IMPORTANT NOTES:

This player is subject to any change in electronics and cosmetics without advance notice or taking any responsibilities as we follow a policy of constant development and improvement on this product. We are sorry if this will cause or has caused any inconvenience to you.

IMPORTANT

Note: Although this CD player can read CD-R, CD-RW and MP3 discs - in addition to normal CD's - the playability of CD-R, CD-RW and MP3 discs may be affected by the type of software that was used to create the discs, as well as the quality and condition of the blank media you are using. 100% playability cannot be guaranteed. This is not an indication of a problem with the player.

IMPORTANT

The USB port of this product is fully compatible with the USB 1.1 and 2.0 standard. If MP3 players connected to this port are not written in compliance with the official USB 1.1 or 2.0 standard it may occur that those MP3 players do not work on this port. This is not a defective of this product. The MP3 player does not comply with the official USB 1.1 or 2.0 standard.

WARNING

1. No flame sources, such as lighted candles, should be placed on the apparatus.
2. Do not place the product in closed bookcases or racks without proper ventilation.
3. The mains plug is used as the disconnect device, the disconnect device shall remain readily operable.
4. The ventilation should not be impeded by covering the ventilation openings with items, such as newspapers, table-cloths, curtains, etc.
5. It shall not be exposed to dripping or splashing and that no objects filled with liquids, such as vases, shall be placed on the apparatus.
6. Do not connect FM antenna to outside antenna.
7. The unit should not be exposed to direct sunlight, very high or low temperature, moisture, vibrations or placed in dusty environment.
8. Do not use abrasive, benzene, thinner or other solvents to clean the surface of the unit. To clean, wipe it with mild non-abrasive detergent solution and clean soft cloth.
9. Never attempt to insert wires, pins or other such objects into the vents or opening of the unit.

Do not dispose of the device with the household waste. This product must be disposed of according to EU directive 2002/96/EC-WEEE (Waste Electrical and Electronic equipment). Return the device to a collection point. Observe the applicable regulations. Contact your municipality, if in doubt.



CAUTION

- Danger of explosion if battery is incorrectly replaced.
- Replace only with the same or equivalent type of battery.
- Batteries shall not be exposed to excessive heat such as sunshine, fire or the like.
- Attention should be drawn to the environmental aspects of battery disposal.

Veiligheidsinformatie

	OPGEPAST Risico op elektrische schokken. Niet openen	
OPGEPAST: OM HET RISICO VAN ELEKTRISCHE SCHOK TE VERMINDEREN, NOOIT DE AFDEKKING (OF ACHTERKANT) VERWIJDEREN. ER ZIJN GEEN DELEN DIE DOOR DE CONSUMENT GESERVICED MOETEN WORDEN. VOOR SERVICEWERKEN, CONTACT OPNEMEN MET BEVOEGD SERVICEPERSONEEL.		



De bliksemflits met het pijlsymbool, binnen een driehoek, is bedoeld om de consument te waarschuwen voor het bestaan van niet geïsoleerde "gevaarlijke spanning" in de behuizing van het product die voldoende kan zijn om een risico voor elektrische schok te veroorzaken.



Het uitroepingsteken in een driehoek is bestemd om de consument te waarschuwen voor de aanwezigheid van belangrijke bedienings- en onderhouds(service)aanwijzingen in de documentatie die met de uitrusting geleverd wordt.



GEVAAR

Onzichtbare laserstraling als het apparaat open is en als de vergrendeling gefaald heeft of defect is. Rechtstreekse blootstelling aan de straal vermijden.

WAARSCHUWING

Om brand of gevaar van een elektrische schok te vermijden, het apparaat niet aan regen of vocht blootstellen. Om een elektrische schok te vermijden, de behuizing niet openen en het onderhoud enkel laten uitvoeren door gekwalificeerd personeel.

OPGELET

Het gebruik van andere controles of regelingen of de uitvoering van andere procedures dan diegene die hierin beschreven worden, kan tot de blootstelling aan gevaarlijke straling leiden.

Vorzorgsmaatregelen

Lees deze aanwijzingen voordat u de speler gebruikt.

Snoerbescherming

Om storingen aan de speler te vermijden, en om bescherming te bieden tegen een elektrische schok, vuur of persoonlijke letsels, moeten de volgende punten nageleefd worden.

- De stekker stevig aanhouden vast wanneer het AC snoer ingestoken of uitgetrokken wordt.
- Het AC snoer niet met natte handen insteken of uittrekken.
- Het AC snoer van verwarmingstoestellen verwijderd houden.
- Nooit zware voorwerpen op het AC snoer plaatsen.
- Nooit proberen om het AC snoer te repareren of om te bouwen
- Stof, vuil, enz. op de stekker regelmatig verwijderen.

Plaatsing

Plaats de speler nooit in zones met:

- Directe zonnestrallen of verwarmingsstralen of gesloten voertuigen
- Hoge temperaturen (hoger dan 35°C) of hoge vochtigheid (hoger dan 90%)
- Teveel stof
- Trillingen, impacten of oneffen oppervlakten aangezien de interne delen ernstig beschadigd kunnen worden.

Periodes waarin de speler niet gebruikt wordt

Wanneer de speler langere tijd niet gebruikt wordt, de speler van het AC net bij u thuis ontkoppelen.

Geen vingers of andere voorwerpen in het toestel steken

- Het aanraken van interne delen van de deze speler is gevaarlijk, en kan ernstige schade aan de speler veroorzaken. Nooit proberen om de speler te demonteren.
- Geen vreemde voorwerpen op de discschijf leggen.

Verwijderd houden van water en magnetische voorwerpen

- De speler verwijderd houden van bloemvazen, bakken, gootstenen, enz. Indien vloeistof in de speler gemorst wordt, kan ernstige schade ontstaan.
- Magnetische voorwerpen zoals luidsprekers op een afstand van de speler houden.

Bewaring

- De speler in een horizontale positie plaatsen, en geen zware voorwerpen op de speler plaatsen.
- De speler niet op versterkers of andere uitrustingen plaatsen die heet kunnen worden.

Condensatie

In de volgende voorwaarden kan er zich condenswater op de lens vormen:

- Onmiddellijk nadat een verwarmder ingeschakeld is.
- In een kamer met stoom of veel vocht.
- Wanneer de speler van een koude naar een warme omgeving gebracht wordt.

Indien zich vocht in de speler vormt is het mogelijk dat de speler niet correct werkt. In dat geval moet de speler gedurende ongeveer een uur uitgeschakeld worden zodat het vocht kan verdampen.

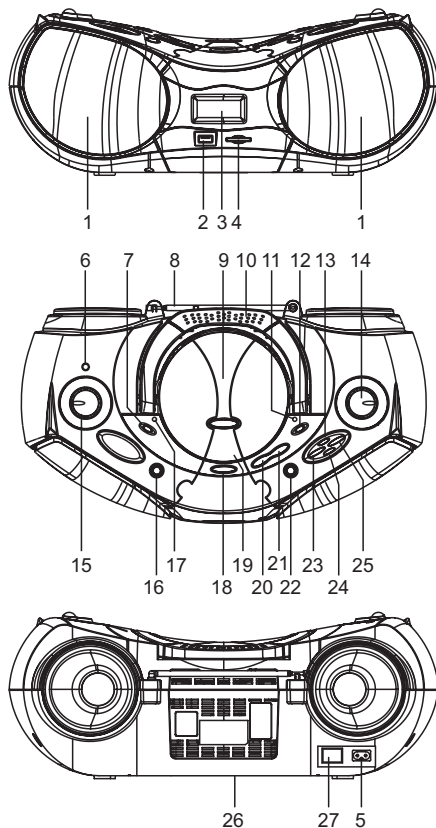
Opgelet:

- Om een elektrische schok te vermijden, mag deze eenheid niet blootgesteld worden aan drui- of spatwater.
- Respecteer een minimum afstand rond het apparaat om voor een voldoende verluchting te zorgen.
- De ventilatie mag niet belemmerd worden door het afsluiten van de ventilatieopeningen met voorwerpen zoals kranten, tafelkleden, gordijnen enz.
- Plaats geen bronnen van naakte vlammen, zoals brandende kaarsen, op het apparaat.
- Het gebruik van het apparaat in een tropisch en/of gematigd klimaat.
- Voordat u het apparaat dumpt, de batterijen verwijderen en deze in een geschikte inzamelcontainer voor batterijen gooien.

PORTABLE CD/MP3 SPELER STEREO RADIO MET USB & SD/MMC KAART LEZER

Vóór ingebruikname lees en volg de onderstaande instructies zoals beschreven in deze gebruikshandleiding

LOCATIE VAN DE KNOPPEN:



1. Luidsprekers
2. USB-poort
3. LCD-scherm
4. Toegang SD / MMC-kaart
5. Voedingskabel naar stopcontact
6. AUX in Jack
7. FUNCTIE schakelaar
8. FM telescopische antenne
9. Het openen van de klep voor een cd
10. Handvat
11. Status Indicator FM
12. BAND schakelaar
13. MODE-knop
14. TUNING schakelaar
15. Volumeregeling
16. Knop USB / CARD
17. Lichtnet indicatie lampje
18. Knop om de lade te openen
19. Sluiten van deksel CD (druk op om af te sluiten)
20. STOP-knop
21. PLAY / PAUSE toets
22. Knop 10 + / album
23. Druk op SKIP / SEARCH DOWN
24. PROGRAMMA-toets / EQ
25. Druk op SKIP / SEARCH UP
26. Plaats van batterij26
27. Aan / Uit Schakelaar(optioneel)

VOEDING

□ Batterijen

1. Verwijder eerst voorzichtig het deksel van het batterijvak.
2. Installeer de acht batterijen van het type "C" (UM-2 of gelijkwaardig) en zorg ervoor dat de batterijen in de goede richting geplaatst worden.
3. Sluit het deksel.

Opmerking:

- Bij bediening met batterijen, moet de AC input kabel worden verwijderd.
- Om schade te voorkomen als gevolg van lekkende batterijen, verwijder de batterijen als deze leeg zijn of wanneer het apparaat niet wordt gebruikt voor een lange tijd.

□ AC

Plaats de connector van de voedingskabel in de achterkant van de speler en het andere uiteinde in het stopcontact muur.

Opmerking: Zorg ervoor dat de netspanningschakelaar is ingesteld op uw lokale voltage (voor versies van de twee spanningen) (facultatief).

Opmerking: Zorg ervoor dat de netspanningschakelaar is ingesteld op uw lokale voltage (220 Volt voor NL alleen voor versies van de twee spanningen) (optioneel).

AFSPELEN VAN DE RADIO

1. Druk op de aan / uit schakelaar op de achterkant van het apparaat om deze in te schakelen, de POWER-indicator gaat branden. Schuif de FUNCTIE schakelaar in radiomodus om te openen.
2. Selecteer de gewenste band met de BAND schakelaar.
3. Stem af op de gewenste zender door te draaien aan de Afstemknop. (Verplaats de controle heen en weer totdat je de sterkste helderste geluid).
4. De ingebouwde AM (MW) directionele antenne en externe FM TELESCOPISCHE ANTENNA zijn richtings gevoelig.
 - Bij ontvangst van een FM-uitzending, trek de telescopische antenne volledig uit en positioneer voor de beste ontvangst.
 - Voor AM (MW) uitzendingen, draai het geheel tot de beste ontvangst is gehoord.
5. Stel het volume naar een comfortabel luisterniveau.
6. Druk op de aan/uit schakelaar in om de speler uit te zetten

OPMERKING

- Als een bepaald FM (STEREO) station zwak is, of je hoort te veel achtergrond lawaai, probeer de band keuzeschakelaar op de FM (MONO) te zetten. Dit kan resulteren vaak in een veel duidelijker receptie.
- Wanneer de band keuzeschakelaar is ingesteld op FM-stereo en een stereo-uitzending wordt ontvangen, zal de FM STEREO indicator branden.

ONDERHOUD EN REINIGING DISC

Volg deze instructies om schade te voorkomen:

- Houd de disc vast bij de randen.
- Vermijd lang blootstellen aan de zon, warmte en vocht kunnen de CD beschadigen. Bewaar de disc in een schoon hoesje.
- Vermijd het plakken van labels aan beide zijden van de disc. Schrijf niet met scherpe puntige voorwerpen op de disc.
- Reinig de disc met een droge, zachte doek of zachte disc borstel, werk vanuit het midden naar de rand. Gebruik geen reinigingsmiddelen.
- Wanneer de disc niet wordt gebruikt, bewaar deze in een cd-hoes.



LAAD DISC

1. Zet de FUNCTION schakelaar in de stand CD/MP3.
2. Open de disc-compartiment.
3. Plaats de disc met het etiket naar boven (als u een schijf plaatst, omgekeerd, toont het display "NO DISC").
4. Sluit het disc-compartiment met de hand.

Opmerking: Raak nooit de lens aan in het laser disc compartiment.

VERWIJDEREN VAN DISC

1. Zorg ervoor dat de schijf CD/MP3 niet speelt. Als deze speelt, drukt u op de CD STOP.
2. Open het disc-compartiment.
3. Verwijder de disc.
4. Sluit het disc-compartiment met de hand.
5. Leg het schijfje in beschermende verpakking.

AFSPELEN VAN DISC

1. Zorg ervoor dat de voeding is aangesloten, druk de aan/uit knop in op de achterzijde van het apparaat en de power indicator zal oplichten. Schuif de schakelaar naar CD/MP3 FUNCTIE positie. De power-indicator licht op.
2. Plaats de disc
3. Zet het volume op het gewenste niveau
4. Om het afspelen kort te onderbreken, drukt u op PLAY / PAUSE
 - De resterende tijd op de disc zal gaan knipperen, en het pauze-symbool zal verschijnen op de bovenkant van het scherm om aan te geven dat de speler in de pauzestand staat.
 - herstel van de normale weergave door op de knop PLAY / PAUSE te drukken.
5. Om het afspelen te stoppen, drukt u op STOP. Het display toont het totaal aantal tracks, de totale speeltijd en het pictogram STOP
6. Als u de speler uit wilt zetten, druk de aan/uit knop in op de achterzijde van toestel.

EQ SELECTEREN

Druk meerdere keren op de knop EQ / programma tijdens het afspelen om het geluid effecten van de EQ: Normaal, Rock, Pop, Klassiek, jazz, en BASS te selecteren.

OVERSLAAN TUSSEN DE TRACKS EN ZOEKEN NAAR SPECIFIEKE PUNT OM AF TE SPELEN

1. Druk op de toets SKIP / SEARCH omhoog in de afspeelmodus om in de track vooruit te springen. Wilt u een van de tracks te selecteren, drukt u de knop nog een paar keer in.
2. Druk eenmaal op SKIP / SEARCH omlaag om achteruit te springen in de huidige track. Wilt u een van de voorgaande tracks te selecteren, druk deze knop een paar keer in.
3. Druk eenmaal op de knop 10 / album, als je 10 tracks verder wilt springen, als je deze 2 maal indrukt gaat deze 20 tracks verder, enz. U kunt naar de laatste track op de CD gaan door het gebruik van deze knop.
4. Houd de SKIP / SEARCH omhoog ingedrukt om vooruit te spoelen.
5. Druk en houd SKIP / SEARCH omlaag om snel achteruit te spoelen.

GEPROMGRAMMEERD AFSPELEN

Geprogrammeerd afspelen is dat de nummers op de cd kunnen worden geprogrammeerd om af te spelen in volgorde van voorkeur door te drukken op de PROGRAM knop.

Druk in de CD-stop-modus eenmaal op de knop PROGRAM / EQ, in het display zal het bericht verschijnen "PROG" met een knipperende nummer van de track volgorde programmering en een indicator voor de " P-01 ", selecteert u de eerste track te programmeren met de toets SKIP / SEARCH en druk op PROGRAM / EQ weer in stand te houden en vooruit naar de volgende stap in het programma. Programmering display zal veranderen naar "P-02."

Herhaal de bovenstaande stappen om meer nummers te programmeren. Tot 20 nummers kunnen worden geprogrammeerd in het geheugen van de speler in de gewenste volgorde.

Druk op PLAY / PAUSE om het afspelen te starten aan het einde van de programmering.

De speler stopt automatisch na het spelen van alle geprogrammeerde nummers.

U kunt op de STOP-toets drukken om de geprogrammeerde weergave lijst te stoppen. In de stopstand programmering, drukt u nogmaals op de knop Stop om de programmering te stoppen, of druk op de PLAY / PAUSE om het afspelen van de geprogrammeerde tracks in dezelfde volgorde te starten zoals eerder gemaakt.

ÉÉN TRACK HERHALEN

Het herhalen van een track, drukt u eenmaal op de MODE-knop, het display toont een pictogram van een enkele herhaling. Selecteer de gewenste track door te drukken op de SKIP / SEARCH, of 10 / album. De speler zal een nummer te herhalen totdat u op STOP drukt.

HERHAAL ALLE NUMMERS

Om alle tracks te herhalen, drukt u tweemaal op de MODE-knop in de afspeelmodus. Het scherm toont een pictogram om alle nummers te herhalen. De speler zal alle tracks herhalen, totdat u op STOP drukt.

RANDOM PLAY

Indien de nummers van het album worden gespeeld in willekeurige volgorde. Druk op de MODE-knop drie keer om deze modus te gaan tijdens het afspelen, toont het display "RAN." Druk op PLAY / PAUZE of Spring naar willekeurig afspelen om te starten. Nummers van het album zullen willekeurig geselecteerd worden om te spelen, zal de speler automatisch stoppen na het spelen van allemaal. Druk nogmaals op de MODE-knop, en deze modus wordt geannuleerd.

INTRO

In Intro mode worden de eerste tien seconden van elke song afgespeeld in de juiste volgorde. Druk vier keer op de MODE-knop om naar deze modus te gaan tijdens het afspelen, zal het display INTRO tonen. Druk op PLAY / PAUSE om het afspelen van de track ingevoerd nr. 1 te starten. Druk op SKIP / SEARCH tot het invoeren van direct afspelen te starten vanaf de track naar aanleiding van de huidige track. Druk op SKIP / SEARCH omlaag om onmiddellijk te beginnen met afspelen van de opgenomen track. Druk op de STOP-knop tijdens afspelen om uit INTRO afspeel modus te gaan en druk op de PLAY / PAUSE om weer normaal afspelen van muziek hervatten

MP3-CD(WMA) AFSPELEN

Deze speler is geschikt voor MP3-cd's. Het duurt langer voor deze speler om een MP3-CD te lezen dan een CD-DA. Wacht geduldig tijdens het lezen.

Na een MP3-CD met succes gelezen is, zal het totaal aantal albums en tracks worden getoond op het LCD-scherm. Een seconde later begint het afspelen vanaf de eerste track van het eerste album met de MP3 pictogram.

ZOEK EEN TRACK OF ALBUM EN ZOEK NAAR EEN SPECIFIEK PUNT OM AF TE SPELEN

1. Druk eenmaal op de SKIP / SEARCH toets omhoog om het volgende track af te spelen. Om door te gaan naar een specifiek nummer, drukt u meerder keren op deze knop totdat u bij deze track bent.
2. Druk eenmaal op de SKIP / SEARCH omlaag knop tijdens afspelen om naar de laatste track te gaan. Om meerdere tracks terug te gaan, drukt u meerdere keren op deze knop.
3. Druk op 10 + / album knop eenmaal in te spelen om naar het nummer 10 tracks vooruit, twee keer om 20 tracks vooruit te gaan. U kunt het laatste nummer van het album vinden met deze knop.
4. Houd de SKIP / SEARCH toets omhoog tijdens afspelen ingedrukt om versneld vooruit te zoeken en naar een specifiek punt te gaan.
5. Houd de SKIP / SEARCH omlaag knop tijdens afspelen ingedrukt om versneld achterwaarts te zoeken naar een specifiek punt.
6. Houd de 10 + / album knop ingedrukt, het album nummer zal knipperen, druk op de Skip/search knop om het gewenste album te zoeken, druk voor 2 seconden op de ABUM knop om deze te selecteren. Het track nummer knippert, selecteer de gewenste track van het album gekozen met behulp van de toetsen SKIP / SEARCH. Tot slot, drukt u op PLAY / PAUSE knop om te beginnen met het spelen van dit nummer gekozen.

EEN ENKEL NUMMER HERHALEN (MP3/USB/SD/MMC)

Het herhalen van een track tijdens afspelen, drukt u een keer op MODE-knop, vervolgens selecteert u de gewenste track met behulp van SKIP / Search knop. De speler zal de gekozen track herhalen totdat u op STOP-toets.

REPEAT ALLE TRACKS (MP3/USB/SD/MMC)

Om alle tracks te herhalen, drukt u op MODE-knop twee keer in de afspeelmodus, De speler zal alle tracks te herhalen totdat u op STOP-toets.

REPEAT EEN ALBUM (MP3/USB/SD/MMC)

Het herhalen van een voorkeur album in de weergave, drukt u driemaal op MODE-knop, het LCD geeft de icon voor album herhalen. Vervolgens selecteert u de gewenste track met de 10 + / album en Skip toetsen tegelijk in. De speler herhaalt de gekozen album totdat u op STOP-toets drukt.

RANDOM PLAY (MP3/USB/SD/MMC)

Willekeurig afspelen is dat tracks op de media bron worden gespeeld door de speler in willekeurige volgorde. Druk MODE-knop vier keer om naar deze modus te gaan tijdens het afspelen, "RAN" toont het LCD scherm. Druk PLAY / PAUZE-knop in om willekeurig afspelen te beginnen. Tracks op de media bron zullen worden afgespeeld in willekeurige volgorde en de speler stopt automatisch nadat alle nummers zijn gespeeld. Druk MODE toets een keer in om terug te keren naar normale weergave van het huidige liedje.

INTRODUCTIE AFSPELEN (MP3/USB/SD/MMC)

Intro afspelen is dat de eerste tien seconden van elke track worden gespeeld in een volgorde.

Druk op MODE-knop vijf keer om deze modus te gaan tijdens het spelen, "INTRO" toont het LCD scherm. Druk op Play / Pauze-knop om Introductie afspelen te beginnen van Track NO.1. Druk op SKIP toets omhoog INTRO om het afspelen te beginnen vanaf de track onmiddellijk na de huidige track en SKIP down INTRO toets om het afspelen te beginnen vanaf de vorige track. Druk op Play / Pauze-knop weer in 'Intro'mode om terug te keren naar normaal afspelen.

GEPROGRAMMEERD AFSPELEN (MP3/USB/SD/MMC)

Geprogrammeerd afspelen is dat nummers op de disc / USB / kaart kunnen worden aangepast voor weergave op een voorkeur om met het gebruik van de PROGRAM toets.

In de stopstand, drukt u éénmaal op PROGRAM / EQ knop "PROG" 'wordt in het LCD-scherm getoont met een flikkerende album nummer en de programmering vermelding "P-01"; kies het album dat wordt geprogrammeerd met behulp van SKIP / SEARCH toetsen of 10 + / album knop, en druk op PROGRAM toets om op te slaan; het nummer knippert en wacht op uw keuze. Kies de gewenste track met SKIP / SEARCH toetsen of 10 + / album knop. Druk nogmaals op PROGRAM knop om de eerste programmering te bevestigen en door te gaan met de volgende programmering. Het programma sequentie indicatie verandert in "P-02 en wacht op uw volgende stap.

Herhaal de bovenstaande stappen om meer nummers te programmeren. Er kunnen maximaal 99 tracks kunnen worden geprogrammeerd in het geheugen in een gewenste volgorde.

Druk op PLAY / PAUSE toets om de geprogrammeerde afspelen te beginnen in de gewenste volgorde nadat u klaar bent met de programmering. De speler stopt automatisch nadat alle geprogrammeerde tracks zijn gespeeld.

U kunt op de STOP-toets om de geprogrammeerde weergave te beëindigen. In het programma stopstand druk de STOP knop nogmaals in om de programmering te verwijderen; druk op PLAY / PAUSE-toets om weer te beginnen met het afspelen van de geprogrammeerde lijst identiek met de vorige lijst.

EXTERN GEHEUGEN MEDIA ACTIVITEITEN (USB/SD/MMC)

Bereid de speler voor op het gebruik van externe geheugen media.

Plaats een USB-apparaat in de USB-poort of een SD / MMC-kaart in de sleuf;

Schuif FUNCTIE schakelaar naar USB/AUX weergave modus en muziek zal starten vanaf de eerste track.

OPMERKING:

U kunt de USB / SD-knop indrukken om te schakelen tussen USB en SD / MMC-modi.

DIVERSE AFSPEEL MODES

TRACKS OVERSLAAN EN ZOEKEN TUSSEN DE TRACKS

Druk op de SKIP UP toets om het huidige nummer over te slaan en spelen de volgende track, drukt u op deze knop continu door te gaan tot de overeenkomstige tracks.

Druk op de SKIP DOWN-toets om naar de laatste track, voortdurend druk op deze knop terug naar een overeenkomstige tracks terug te gaan.

Houd de 10 + / album knop gedurende 2 seconden ingedrukt tijdens het afspelen, het album nummer knippert, selecteer het gewenste album met de SKIP / SEARCH toetsen; Houd de 10 + / album knop 2 seconden ingedrukt om de selectie te bevestigen van dit album, het nummer flinkt en wacht op uw input, selecteer de gewenste track van het album gekozen met behulp van de SKIP / SEARCH toetsen. Tot slot, drukt u op PLAY / PAUSE toets om te beginnen met het spelen van deze gekozen track.

Houd de SKIP / SEARCH toets omhoog knop ingedrukt in de muziek te spelen om versneld vooruit te zoeken voor een specifiek punt in de track.

Houd de SKIP / SEARCH omlaag ingedrukt tijdens afspelen om versneld achteruit te zoeken naar een specifieke punt in de track.

HERHAAL MODES

Druk in de afspeelmodus één keer op de MODE-knop om het huidige nummer te herhalen; het LCD-scherm toont het pictogram voor één nummer herhalen. Druk een tweede keer op de MODE-knop om alle nummers opgeslagen op de opslagmedia (USB/SD/MMC) te herhalen; het LCD-scherm toont het pictogram voor alle nummers herhalen. Druk een derde keer op de MODE-knop om alle nummers in de huidige map af te spelen; het LCD-scherm toont het pictogram voor een album herhalen.

WILLEKEURIG AF SPELEN

Druk een vierde keer op de MODE-knop om het afspelen in een willekeurige volgorde te activeren; de speler zal nummers in een willekeurige volgorde afspelen, nadat de PLAY/PAUZE-knop is ingedrukt. Door nog een keer op de PLAY/PAUZE-knop te drukken, keert de speler terug naar de gewone afspeelmodus.

INTROSCAN AF SPELEN (10 seconden)

Druk een vijfde keer op de MODE-knop om de introscan direct te starten; de speler zal de eerste 10 seconden van elk nummer op volgorde afspelen, nadat de PLAY/PAUZE-knop is ingedrukt. Door nog een keer op de PLAY/PAUZE-knop te drukken, keert de speler terug naar de gewone afspeelmodus.

GEPROGrameerd AF SPELEN

In de USB- SD- en MMC-modus is er ook een geprogrammeerde afspeelfunctie. Een maximum van 99 nummers kunnen worden geprogrammeerd.

Neem de geprogrammeerde afspeelfunctie van de USB als voorbeeld:

USB-sticks kunnen worden geprogrammeerd voor weergave in een gewenste volgorde door middel van het gebruik van de PROGRAM-knop. Druk hiervoor in de stop-modus één keer op de PROGRAM-knop; het LCD-scherm toont "PROG USB" met een knipperend albumnummer en de programmareeks vermelding "P-01". Selecteer het albumnummer welke geprogrammeerd moet worden, door gebruik te maken van de SKIP/SEARCH-knop of de +10/ALBUM-knop en druk nogmaals op de PROGRAM-knop om op te slaan, het nummer knippert in afwachting van de keuze. Kies het gewenste nummer met de SKIP/SEARCH-knop of de +10/ALBUM-knop. Druk nog een keer op de PROGRAM-knop om de eerste programmering te bevestigen en verder te gaan naar de volgende stap. De programmareeks vermelding verandert in "P-02", wachtende op de volgende invoer (nummer). Herhaal de bovenstaande stappen om meer nummers te programmeren.

Een maximum van 99 tracks kunnen worden geprogrammeerd in het geheugen in een gewenste volgorde. Druk op de PLAY/PAUSE-knop om het geprogrammeerd afspelen in de gewenste volgorde te beginnen. De speler stopt automatisch nadat alle geprogrammeerde nummer zijn afgespeeld. Druk op de STOP-knop om de geprogrammeerde weergave te beëindigen. Druk nog een keer op de STOP-knop om de programmering te verwijderen of op de PLAY/PAUZE-knop om de geprogrammeerde weergave nogmaals identiek af te spelen.

AUX-INGANG

Uw speler kan worden gebruikt als een eindversterker om geluid van radio, TV of MP3-spelers of wat dan ook met dit apparaat af te spelen door middel van een line-out uitgang of iets dergelijks.

Voer de volgende stappen uit om deze speler op een ander toestel aan te sluiten.

1. Schakel de speler in door middel van het gebruik van het bijgeleverde netsnoer.
2. Schuif de FUNCTION knop naar de USB / AUX positie.
3. Sluit het apparaat aan op de 'AUX IN'ingang van de speler met de meegeleverde LINE-OUT kabel van het apparaat.
4. Schakel het apparaat aan en begin met afspelen.

Op dit moment kunt u het geluid horen van de programma's van het aangesloten apparaat.

BELANGRIJKE INFORMATIE

Deze speler is onder voorbehoud van eventuele wijzigingen in de elektronica en cosmetica zonder voorafgaande aankondiging of het nemen van verantwoordelijkheden bij het volgen van een beleid van voortdurende ontwikkeling en verbetering over dit product. Het spijt ons als dit zal veroorzaken of heeft veroorzaakt overlast voor jou.

BELANGRIJK

Opmerking: Hoewel deze CD speler naast gewone CD's ook CD-R, CD-RW en MP3 schijven kan lezen, kan het afspeelbaar zijn van CD-R, CD-RW en MP3 schijven worden beïnvloed door het type software waarmee de discs zijn gemaakt. Ook de kwaliteit en de conditie van de lege media die u gebruikt, spelen daarbij een rol. Een afspeelbaarheid van 100% kan niet worden gegarandeerd. Dit is geen aanwijzing voor een probleem met de speler.

BELANGRIJK

De USB poort van dit product is volledig compatibel met de USB 1.1 en 2.0 standaard. Indien een aangesloten MP3 speler niet functioneert, bestaat de mogelijkheid dat de speler niet aan de officiële USB 1.1 of 2.0 standaard voldoet. Dit is geen defect aan dit product. De MP3 speler voldoet niet aan de officiële USB norm 1.1 of 2.0.

WAARSCHUWING

1. Er mogen geen voorwerpen met een open vlam, zoals aangestoken kaarsen, op het apparaat worden geplaatst.
2. Plaats het product niet in gesloten boekenkasten of rekken zonder voldoende ventilatie.
3. Als de stekker wordt gebruikt om het apparaat uit te zetten, moet de stekker goed bereikbaar zijn.
4. De ventilatie mag niet worden gehinderd door het afsluiten van de ventilatieopeningen met voorwerpen, zoals kranten, tafelkleden, gordijnen enz.
5. Het apparaat mag niet worden blootgesteld aan spatwater en er mogen geen voorwerpen met vloeistoffen, zoals vazen, op het apparaat geplaatst worden.
6. Sluit de antenne niet aan op een buitenantenne.
7. Het apparaat mag niet worden blootgesteld aan direct zonlicht, zeer hoge of zeer lage temperaturen, vocht, vibraties of in een stoffige omgeving worden geplaatst.
8. Gebruik geen schoonmaakmiddelen die alcohol, spiritus, ammonia of schuurmiddel bevatten want die kunnen het apparaat beschadigen. U kunt het apparaat schoonmaken met een licht bevochtigde zeemlap.
9. Probeer nooit draden, pinnen of andere soortgelijke voorwerpen in de ventilatiegleuven of openingen van het apparaat te steken.

Gooi het apparaat niet weg met het gewone huishoudelijke afval. Dit product moet worden weggegooid volgens EU-richtlijn 2002/96/EC-WEEE (Waste Electrical and Electronic equipment). Breng het apparaat naar een inzamelpunt. Let op de geldende voorschriften. Neem contact op met uw gemeente, in geval van twijfel.



LET OP

- Explosiegevaar indien batterij verkeerd wordt geplaatst.
- Vervang alleen door identiek of gelijksoortig type batterij.
- Batterijen mogen niet worden blootgesteld aan extreme hitte zoals zonlicht, vuur of andere soortgelijke bronnen.
- Houdt u steeds aan de milieuvoorschriften wanneer u gebruikte batterijen wegdoet.

Sicherheitsinformationen



Das Pfeilblitz-Symbol im gleichseitigen Dreieck soll den Bediener auf unisolierte, "gefährliche Spannung" im Innern des Gerätes aufmerksam machen, die stark genug sein könnte, ein Elektro-schockrisiko für Personen darzustellen.



Das Ausrufezeichen im gleichseitigen Dreieck soll den Bediener auf wichtige Benutzungs- und Wartungs- (Reparatur-) Anweisungen in der begleitenden Literatur aufmerksam machen.



GEFAHR

Unsichtbare Laserbestrahlung beim Öffnen und nicht einwandfreiem Schließen. Direkte Laserbestrahlung vermeiden.

ACHTUNG

Zum Verhindern von Brand- oder Stromschlaggefahr, das Gerät weder Regen noch Feuchtigkeit aussetzen. Zum Verhindern von Stromschlag darf das Gehäuse nur von qualifiziertem Fachpersonal geöffnet werden.

VORSICHT

Die Verwendung von Funktionen oder Einstellungen oder Durchführung von Methoden, die nicht in speziell in dieser Gebrauchsanleitung beschrieben sind, können gefährliche Strahlungen hervorrufen.

Vorsichtsmaßnahmen

Bitte lesen Sie diese Vorsichtsmaßnahmen durch, bevor Sie diesen Spieler benutzen.

Stromkabelschutz

Um Fehlfunktionen des Spielers zu vermeiden und um vor elektrischem Stromschlag, Feuer oder Körperverletzungen zu schützen, beachten Sie bitte folgendes:

- Halten Sie den Stecker fest, wenn Sie das AC-Stromkabel anschließen oder aus der Steckdose ziehen.
- Ziehen oder verbinden Sie den AC-Netzstecker nicht, wenn Sie nasse Hände haben.
- Halten Sie das AC-Stromkabel fern von Heizgeräten.
- Stellen Sie niemals schwere Objekte auf das AC-Stromkabel.
- Versuchen Sie nicht, das AC-Stromkabel zu reparieren oder zu rekonstruieren.
- Entfernen Sie regelmäßig Staub, Schmutz, usw. vom Stecker.

Positionierung

Vermeiden Sie Aufstellung des Spielers an Orten mit:

- direktem Sonnenlicht oder Heizquellen, oder in geschlossenen Fahrzeugen.
- hohen Temperaturen (über 35°C) oder hoher Luftfeuchtigkeit (über 90%)
- extrem staubiger Umgebung
- Vibrationen, Stößen oder wo die Oberfläche geneigt ist, da interne Teile ernsthaften Schaden nehmen könnten.

Zeiten des Nichtgebrauchs

Wenn der Spieler für längere Zeit nicht gebraucht wird, sollte Sie den Spieler von der AC-Netzsteckdose trennen.

Keine Finger oder andere Objekte hineinstecken

- Das Berühren des Geräteinneren ist gefährlich und kann dem Spieler ernsthaften Schaden zufügen. Versuchen Sie nicht, den Spieler auseinander zu nehmen.
- Legen Sie keine fremdartigen Gegenstände in die Diskettenlade.

Von Wasser und Magnetfeldern fernhalten

- Halten Sie den Spieler fern von Blumenvasen, Badewannen, Waschbecken, etc. Es kann großer Schaden entstehen, wenn Flüssigkeiten auf dem Gerät vergossen werden.
- Halten Sie magnetische Gegenstände wie z. B. Lautsprecher auf Distanz zum Spieler.

Stapeln

- Stellen Sie den Spieler in Horizontalposition auf und stellen Sie nichts schweres darauf.
- Stellen Sie den Spieler nicht auf Verstärker oder andere Anlagen, die sich eventuell erwärmen könnten.

Kondensation

Unter folgenden Bedingungen kann sich Feuchtigkeit auf der Linse bilden:

- Gleich nachdem eine Heizung eingeschaltet wurde.
- In einem Raum mit viel Dampf oder hoher Luftfeuchtigkeit.
- Wenn der Spieler aus einer kalten Umgebung in eine warme Umgebung gebracht wird.

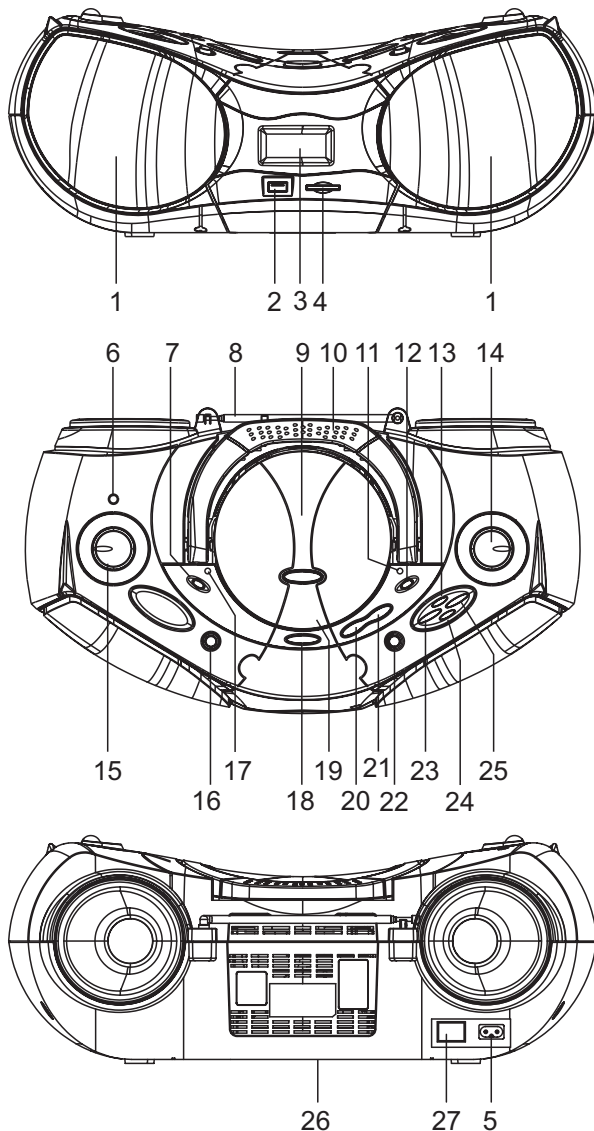
Wenn sich im Innern des Gerätes Feuchtigkeit bildet kann es sein, dass der Spieler nicht richtig funktioniert. In diesem Falle, schalten Sie den Strom ab und warten Sie ca. eine Stunde, bis die Feuchtigkeit verdunstet ist.

Vorsicht:

- Zum Vermeiden von Stromschlag darf das Gerät keiner Feuchtigkeit oder Spritzwasser ausgesetzt werden.
- Mindestabstände für eine ausreichende Belüftung rund um das Gerät einhalten.
- Die Lüftung darf nicht durch Gegenstände, wie Zeitungen, Tischdecken, Vorhänge, usw. abgedeckt werden.
- Keine offenen Flammen, wie Kerzen oder ähnliches auf das Gerät stellen.
- Benutzung des Gerätes in tropischem und /oder mildem Klima.
- Vor dem Entsorgen des Gerätes die Batterien herausnehmen und diese in einen speziell dafür bereitgestellten Batterieabfallbehälter werfen.

TRAGBARER CD/MP3 DISC PLAYER STEREO RADIO MIT USB&SD/MMC KARTENLESER

Bitte vor Erstinbetriebnahme des Gerät diese Anleitung lesen und befolgen.



POSITION DER BEDIENELEMENTE

1. LAUTSPRECHER
2. USB PORT
3. LCD DISPLAY
4. SD/MMC KARTENSTECKPLATZ
5. AC BUCHSE
6. AUX-IN BUCHSE
7. FUNKTIONSSCHALTER
8. FM TELESKOPANTENNE
9. CD Klappe
10. GRIFF
11. FM ST. ANZEIGE
12. BANDSCHALTER
13. MODUS TASTE
14. ABSTIMMUNG SREGLER
15. LAUTST ÄRKEREGLER
16. TASTE USB/KARTE
17. BETRIEBSANZEIGE
18. TASTE CD-KLAPPE ÖFFNEN
19. FLÄCHE CD-KLAPPE SCHLIESSEN
20. STOPP TASTE
21. WIEDERGABE/PAUSE TASTE
22. +10/ALBUM TASTE
23. TASTE
ÜBERSPRINGEN/ABWÄRTSSUCHE
24. EQ/PROGRAMMTASTE
25. TASTE
ÜBERSPRINGEN/AUFWÄRTSSUCHE
26. BATTERIEFACH
27. NETZSCHALTER (OPTIONAL)

STROMVERSORGUNG

□ BATTERIEBETRIEB

1. Den Batteriefachdeckel vorsichtig entfernen.
2. 8 x 'C' Batterien (UM-2 oder gleichwertig) installieren und auf richtige Polarität achten.
3. Den Batteriefachdeckel wieder anbringen.

HINWEIS:

- Das AC Netzkabel muss bei Batteriebetrieb entfernt werden.
- Um Beschädigungen durch auslaufende Batterien zu vermeiden, Batterien entfernen, wenn sie schwach werden oder das Gerät für längere Zeit nicht benutzt wird.

□ AC BETRIEB

Das eine Ende des AC Stromkabels mit der Buchse auf der Rückseite des Players und das andere Ende mit einer Steckdose verbinden.

RADIOBETRIEB

1. Den FUNKTIONSSCHALTER auf RADIO stellen, die BETRIEBSANZEIGE leuchtet.
2. Mit dem BANDSCHALTER das gewünschte Band auswählen.
3. Den gewünschten Sender durch Drehen des ABSTIMMUNGSREGLERS einstellen. (Den Regler vor- und rückwärts bewegen, bis der bestmögliche Klang empfangen wird).
4. Die integrierte AM (MW) Antenne und externe FM TELESKOPANTENNE sind Richtantennen.
 - Zum Empfangen des FM Rundfunks die TELESKOPANTENNE vollständig ausziehen und für optimalen Empfang ausrichten.
 - Für AM (MW) Rundfunk das komplette Gerät für optimalen Empfang drehen.
5. Den Lautstärkepegel auf einen angenehmen Hörpegel einstellen.
6. Zum Abschalten des Radios den FUNKTIONSSCHALTER auf AUS stellen.

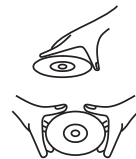
HINWEISE:

- Wenn ein bestimmter FM (STEREO) Sender schwach ist oder zu viele Hintergrundgeräusche hörbar sind, versuchen Sie, den Bandwahlschalter auf FM (MONO) zu stellen. Das führt oft zu einem viel besserem Empfang.
- Wenn der Bandwahlschalter auf FM STEREO gestellt ist und ein Stereo Programm empfangen wird, leuchtet die FM STEREO Anzeige.

HANDHABUNG UND PFLEGE EINER COMPACT DISC

Die nachstehenden Anweisungen zu Handhabung und Pflege befolgen, um eine möglichst lange und problemlose Leistung der Disc zu gewährleisten:

- Die Regenbogenseite der Disc darf nicht berührt werden; die Disc nur am Rand anfassen.
- Lange Exposition gegenüber Sonnenstrahlen, hohen Temperaturen und Feuchtigkeit beschädigt die Disc. Den Aufbewahrungsort rein halten.
- Auf beiden Seiten der Disc keine Etiketten aufkleben. Das Beschriften der Disc mit spitzen Stiften sollte strikt vermieden werden.
- Die Disc von der Mitte zum Rand hin mit einem trockenen & weichen Tuch oder einer Disc Bürste reinigen. Keine Reinigungs lotion oder Chemikalien benutzen.
- Bei Nichtgebrauch in den Hüllen aufbewahren.



DISC NUR LAUT ABBILDUNG ANFASSEN



VON DER MITTE ZUM RAND REINIGEN



NICHT NEBEN WÄRMEQUELLEN
AUFBEWAHREN

DISC LADEN

1. Den FUNKTIONSSCHALTER auf CD/MP3 stellen.

HINWEIS: Wenn der FUNKTIONSSCHALTER auf CD/MP3 gestellt wird, sollten externe Geräte abgetrennt werden.

2. Die CD Klappe öffnen.
3. Eine Disc mit der Beschriftung nach oben einlegen (wenn die Disc verkehrt herum eingelegt wird, wird auf dem Display "KEINE DISC" (NO DISC) angezeigt).

4. Die CD-Klappe per Hand schließen.

HINWEIS: Niemals die Laserlinse im CD Fach berühren. Eine verschmutzte CD mit einer Reinigungs-CD reinigen.

DISC ENTFERNEN

1. Sicherstellen, dass die CD/MP3 Disc nicht abgespielt wird. Falls doch, die CD STOPP Taste drücken.
2. Die CD Klappe öffnen.
3. Die Disc vorsichtig entfernen.
4. Die CD-Klappe per Hand schließen.
5. Die Disc wieder in die Schutzhülle legen.

CD WIEDERGABE

1. Sicherstellen, dass das Gerät am Stromnetz angeschlossen ist, den FUNKTIONSSCHALTER auf CD/MP3 stellen, die BETRIEBSANZEIGE leuchtet.
2. Eine Disc in das CD Fach legen. Die CD Klappe schließen, die Disc dreht sich.
3. Die LAUTSTÄRKE auf den gewünschten Pegel einstellen.
4. Um die Wiedergabe kurzzeitig zu unterbrechen, die WIEDERGABE/PAUSE Taste drücken.
 - Die abgelaufene Zeit des aktuellen Titels blinkt und ein "PAUSE" Symbol erscheint unten am LCD und zeigt an, dass der Player im Pausenmodus ist.
 - Die normale Wiedergabe durch erneutes Drücken der WIEDERGABE/PAUSE starten.
5. Um die Wiedergabe zu stoppen, die STOPP Taste drücken. Die Gesamtzahl der Titel und die Gesamtzeit der Wiedergabe mit dem Symbol "STOPP" unten wird auf dem Display angezeigt.
6. Zum Ausschalten des Players den FUNKTIONSSCHALTER auf AUS stellen.

EQ WÄHLEN

Die EQ/Programmtaste im Disc-Wiedergabemodus kontinuierlich drücken, um die EQ Klangeffekte unter NORMAL, POP, ROCK, KLASSIK, JAZZ und BASS auszuwählen.

TITEL ÜBERSPRINGEN UND EINEN BESTIMMTE STELLE FÜR DIE WIEDERGABE SUCHE

1. Während der Musikwiedergabe die ÜBERSPRINGEN/SUCHE Taste einmal drücken, um einen Titel zu überspringen. Um zu einem bestimmten Titel zu springen, diese Taste mehrere Male drücken.
2. Während der Musikwiedergabe die ÜBERSPRINGEN/SUCHE Taste einmal drücken, um zum letzten Titel zurückzuspringen. Um zu einem bestimmten Titel zurückzuspringen, diese Taste mehrere Male drücken.
3. Während der Wiedergabe die +10/ALBUM Taste einmal drücken, um 10 Titel zu überspringen, zweimal drücken, um 20 Titel zu überspringen. Mit dieser Taste kann der letzte Titel auf der Disc aufgerufen werden.
4. Während der Musikwiedergabe die Taste ÜBERSPRINGEN/SUCHE Abwärts gedrückt halten, um den Suchvorlauf bis zu einer bestimmten Stelle zu starten.
5. Während der Musikwiedergabe die Taste ÜBERSPRINGEN/SUCHE Abwärts gedrückt halten, um den Suchrücklauf bis zu einer bestimmten Stelle zu starten.

PROGRAMMIERTE WIEDERGABE

Mit der programmierten Wiedergabe können die Titel auf der Disc zum Abspielen in einer bevorzugten Reihenfolge mit der PROGRAMM Taste bearbeitet werden.

Im CD Stoppmodus die EQ/PROGRAMM Taste einmal drücken, auf dem LCD wird "PROG" mit blinkender Titelnummer und der Programmfolgeanzeige "P-01" angezeigt, den ersten zu programmierenden Titel mit den ÜBERSPRINGEN/SUCHE Tasten wählen und die EQ/PROGRAMM Taste erneut drücken, um zu speichern und mit dem nächsten Programmierschritt fortzufahren.

Die Programmfolgeanzeige wechselt zu "P-02" und ist bereit für die nächste Eingabe. Die obigen Schritte wiederholen, um weitere Titel zu programmieren. Im Speicher können maximal 20 Titel in bevorzugter Reihenfolge programmiert werden. Nach Fertigstellung der Programmierung die WIEDERGABE/PAUSE Taste drücken, um die programmierte Wiedergabe in der bevorzugten Reihenfolge zu starten.

Der Player stoppt nach dem Abspielen aller programmierten Titel automatisch. Mit der STOPP Taste kann die programmierte Wiedergabe beendet werden. Im Programmstoppmodus die STOPP Taste erneut drücken, um die Programmierung zu löschen; die WIEDERGABE/PAUSE Taste drücken, um die programmierte Wiedergabe in der selben programmierten Reihenfolge wie vorher zu starten.

EINEN TITEL WIEDERHOLEN

Um einen bevorzugten Titel wiederholt abzuspielen, die MODUS Taste einmal drücken, auf dem LCD wird das Symbol für 'Einen Titel wiederholen' angezeigt. Dann mit den ÜBERSPRINGEN/SUCHEN Tasten oder der +10/ALBUM Taste den bevorzugten Titel wählen. Der Player wiederholt den gewählten Titel, bis die STOPP Taste gedrückt wird.

ALLE TITEL WIEDERHOLEN

Um alle Titel zu wiederholen, im Wiedergabemodus die MODUS Taste zweimal drücken, auf dem LCD wird das Symbol für 'Alle Titel wiederholen' angezeigt. Der Player wiederholt alle Titel, bis die STOPP Taste gedrückt wird.

ZUFALLSWIEDERGABE

Mit der Zufallswiedergabe können alle Titel auf der Disc in zufälliger Reihenfolge abgespielt werden. Die MODUS Taste dreimal drücken, um diesen Modus während der Wiedergabe aufzurufen, "ZUF" (RAN) wird auf dem LCD angezeigt. Die WIEDERGABE/PAUSE oder ÜBERSPRINGEN Taste drücken, um die Zufallswiedergabe zu starten. Die Titel auf der Disc werden für zufällige Wiedergabe ausgewählt und der Player stoppt automatisch, nachdem alle Titel abgespielt wurden. Die MODUS Taste noch einmal drücken, um die Zufallswiedergabe zu verlassen.

INTRO ABSPIELEN

Intro Abspielen bedeutet, dass die ersten zehn Sekunden jedes Titels der Reihe nach abgespielt werden. Die MODUS Taste viermal drücken, um während der Wiedergabe diesen Modus aufzurufen, "INTRO" wird auf dem LCD angezeigt. Die WIEDERGABE/PAUSE Taste drücken, um Intro ab Titel Nr. 1 zu starten. Die ÜBERSPRINGEN Aufwärts Taste drücken, um INTRO unmittelbar nach dem aktuellen Titel zu starten und ÜBERSPRINGEN Abwärts drücken, um INTRO ab dem vorherigen Titel zu starten. Während der Introwiedergabe die STOPP Taste drücken, um den Intromodus zu verlassen und die WIEDERGABE/PAUSE Taste drücken, um zur normalen Musikwiedergabe zurückzukehren.

MP3-CD (WMA) WIEDERGABE

Dieser Player kann MP3-CDs abspielen. Zum Lesen einer MP3-CD braucht der Player etwas länger, als für eine CD-DA. Bitte haben Sie etwas Geduld.

Nach dem erfolgreichen Lesen einer MP3-CD wird die Gesamtanzahl der Alben und Titel auf dem LCD angezeigt. Und nach einer Sekunde startet die Wiedergabe ab dem ersten Titel des ersten Albums mit dem MP3 Symbol.

TITEL ODER ALBUM FINDEN UND EINE BESTIMMTE STELLE FÜR DIE WIEDERGABE SUCHE

1. Die ÜBERSPRINGEN/SUCHEN Aufwärts Taste während der Musikwiedergabe einmal drücken, um zum nächsten Titel zu springen. Um zu einem bestimmten Titel zu springen, diese Taste mehrere Male drücken.
2. Die ÜBERSPRINGEN/SUCHEN Rückwärts Taste während der Musikwiedergabe einmal drücken, um zum vorherigen Titel zu springen. Um zu einem bestimmten Titel zurückzuspringen, diese Taste mehrere Male drücken.
3. Die +10/ALBUM Taste während der Wiedergabe einmal drücken, um 10 Titel zu überspringen und zweimal drücken, um 20 Titel zu überspringen. Mit dieser Taste kann der letzte Titel des aktuellen Albums aufgerufen werden.
4. Während der Musikwiedergabe die Taste ÜBERSPRINGEN/SUCHEN Aufwärts gedrückt halten, um den Suchvorlauf bis zu einer bestimmten Stelle zu starten.
5. Während der Musikwiedergabe die Taste ÜBERSPRINGEN/SUCHEN Abwärts gedrückt halten, um den Suchrücklauf bis zu einer bestimmten Stelle zu starten.
6. Die +10/ALBUM Taste gedrückt halten, die Albumnummer blinkt; die ÜBERSPRINGEN/SUCHEN Taste drücken, um das gewünschte Album zu wählen, die ALBUM Taste nochmals 2 Sekunden gedrückt halten, um diese Albumauswahl zu bestätigen, die Titelnummer blinkt für die Eingabe; den gewünschten Titel des gewählten Albums mit den ÜBERSPRINGEN/SUCHEN Tasten wählen. Zum Schluss die WIEDERGABE/PAUSE Taste nochmals drücken, um die Wiedergabe des gewählten Titels zu starten.

EINEN TITEL WIEDERHOLEN (MP3/USB/SD/MMC)

Um während der Wiedergabe einen bevorzugten Titel zu wiederholen, einmal die MODUS Taste drücken, auf dem LCD wird das Symbol für 'Einen Titel wiederholen' angezeigt. Dann den bevorzugten Titel mit den ÜBERSPRINGEN/SUCHEN Tasten wählen. Der Player wiederholt den gewählten Titel, bis die STOPP Taste gedrückt wird.

ALLE TITEL WIEDERHOLEN (MP3/USB/SD/MMC)

Um alle Titel zu wiederholen, im Wiedergabemodus die MODUS Taste zweimal drücken, auf dem LCD wird das Symbol für 'Alle Titel wiederholen' angezeigt. Der Player wird alle Titel wiederholen, bis die STOPP Taste gedrückt wird.

EIN ALBUM WIEDERHOLEN (MP3/USB/SD/MMC)

Um im Wiedergabemodus ein bevorzugtes Album zu wiederholen, die MODUS Taste dreimal drücken, auf dem LCD wird das Symbol für 'Album wiederholen' angezeigt. Dann den bevorzugten Titel gleichzeitig mit den +10/ALBUM und ÜBERSPRINGEN Tasten wählen. Der Player wiederholt das gewählte Album, bis die STOPP Taste gedrückt wird.

ZUFALLSWIEDERGABE (MP3/USB/SD/MMC)

Mit der Zufallswiedergabe werden alle Titel auf der Disc vom Player in zufälliger Reihenfolge abgespielt. Die MODUS Taste viermal drücken, um während der Wiedergabe diesen Modus aufzurufen, "ZAF" (RAN) wird auf dem LCD angezeigt. Die WIEDERGABE/PAUSE oder ÜBERSPRINGEN Taste drücken, um die Zufallswiedergabe zu starten. Die Titel auf der Disc werden für die zufällige Wiedergabe gewählt und der Player stoppt automatisch, wenn alle Titel abgespielt wurden. Die MODUS Taste noch einmal drücken, um die Zufallswiedergabe zu verlassen und zur normalen Wiedergabe ab dem aktuellen Titel zurückzukehren.

INTRO ABSPIELEN (MP3/USB/SD/MMC)

Intro bedeutet, dass die ersten zehn Sekunden jedes Titels der Reihe nach abgespielt werden. Die MODUS Taste fünfmal drücken, um während der Wiedergabe diesen Modus aufzurufen, "INTRO" wird auf dem LCD angezeigt. Die WIEDERGABE/PAUSE Taste drücken, um das Intro ab Titel Nr. 1 zu starten. Die ÜBERSPRINGEN Aufwärts Taste drücken, um INTRO unmittelbar nach dem aktuellen Titel zu starten und ÜBERSPRINGEN Abwärts drücken, um INTRO ab dem vorherigen Titel zu starten. Während der Introwiedergabe die WIEDERGABE/PAUSE Taste erneut drücken, um den Intromodus zu verlassen und zur normalen Musikwiedergabe zurückzukehren.

PROGRAMMIERTE WIEDERGABE (MP3/USB/SD/MMC)

Mit der programmierten Wiedergabe können die Titel auf der Disc zum Abspielen in einer bevorzugten Reihenfolge mit der PROGRAMM Taste bearbeitet werden.

Im MP3 Stoppmodus die EQ/PROGRAMM Taste einmal drücken, auf dem LCD wird "PROG" mit blinkender Albumnummer und der Programmreihenfolge "P-01" angezeigt; die zu programmierende Albumnummer mit den ÜBERSPRINGEN/SUCHEN Tasten oder der +10/ALBUM Taste wählen und zum Speichern die PROGRAMM Taste erneut drücken; die Titelnummer blinkt und wartet auf Ihre Auswahl. Den gewünschten Titel mit den ÜBERSPRINGEN/SUCHEN Tasten oder der +10/ALBUM Taste wählen. Die PROGRAMM Taste erneut drücken, um die erste Programmierung zu bestätigen und zum nächsten Programmierungsschritt zu gehen. Die Anzeige für Programmreihenfolge wechselt auf "P-02" und ist bereit für die nächste Eingabe. Die oberen Schritte wiederholen, um weitere Titel zu programmieren. Im Speicher können maximal 99 Titel in bevorzugter Reihenfolge programmiert werden.

Nach Fertigstellung der Programmierung die WIEDERGABE/PAUSE Taste drücken, um die programmierte Wiedergabe in der bevorzugten Reihenfolge zu starten. Der Player stoppt nach dem Abspielen aller programmierten Titel automatisch.

Mit der STOPP Taste die programmierte Wiedergabe beenden. Im Programmstoppmodus die STOPP Taste erneut drücken, um die Programmierung zu löschen; die WIEDERGABE/PAUSE Taste drücken, um die programmierte Wiedergabe in der selben programmierten Reihenfolge wie vorher zu starten.

MEDIENBETRIEB MIT EXTERNEM SPEICHER (USB/SD/MMC)

Den Player für den Medienbetrieb mit externem Speicher vorbereiten.

Einen USB Datenträger am USB Port anschließen ODER eine SD/MMC Karte in den Kartensteckplatz einlegen. Den FUNKTIONSSCHALTER auf USB/AUX Modus stellen und die Wiedergabe startet ab dem ersten Titel.

HINWEIS: Um zwischen USB und SD/MMC Modi zu wechseln, die Taste USB/KARTE drücken.

VERSCHIEDENE WIEDERGABEMODI

TITEL ÜBERSPRINGEN UND ZWISCHEN TITELN SUCHEN

Die ÜBERSPRINGEN AUFWÄRTS Taste einmal drücken, um den aktuellen Titel zu überspringen und den nächsten Titel abzuspielen, diese Taste gedrückt halten, um zu den nächsten entsprechenden Titeln zu wechseln.

Die ÜBERSPRINGEN ABWÄRTS Taste drücken, um zum vorherigen Titel zu springen, diese Taste gedrückt halten, um zu den vorherigen Titeln zu wechseln.

Während der Wiedergabe die +10/ALBUM Taste 2 Sekunden gedrückt halten, die Albumnummer blinkt; das gewünschte Album mit den ÜBERSPRINGEN/SUCHEN Tasten wählen; die ALBUM Taste erneut 2 Sekunden gedrückt halten, um diese Albumauswahl zu bestätigen, die Titelnummer blinkt für die Eingabe; den gewünschten Titel des gewählten Albums mit den ÜBERSPRINGEN/SUCHEN Tasten wählen.

Zum Schluss die WIEDERGABE/PAUSE Taste erneut drücken, um die Wiedergabe des gewählten Titels zu starten. Während der Wiedergabe die ÜBERSPRINGEN/SUCHEN Aufwärts Taste halten, um den Schnellvorlauf bis zu einer bestimmten Stelle zu starten.

Während der Wiedergabe die ÜBERSPRINGEN/SUCHEN Abwärts Taste halten, um den Schnelrücklauf bis zu einer bestimmten Stelle zu starten.

WIEDERHOLMODI

Im Wiedergabemodus die MODUS Taste einmal drücken, um den aktuellen Titel zu wiederholen; auf dem LCD wird das Symbol für 'Einen Titel wiederholen' angezeigt.

Die Taste zweimal drücken, um alle auf diesem Speichermedium (USB/MMC Karte) gespeicherten Titel zu wiederholen; auf dem LCD wird das Symbol für 'Alle Titel wiederholen' angezeigt. Die Taste dreimal drücken, um alle Titel im aktuellen Verzeichnis zu wiederholen. Auf dem LCD wird das Symbol für 'Album wiederholen' angezeigt.

ZUFALLSWIEDERGABE

Während der Wiedergabe die MODUS Taste viermal drücken, um die Zufallswiedergabe zu aktivieren; der Player spielt Titel in zufälliger Reihenfolge ab, wenn WIEDERGABE/PAUSE gedrückt wird. Diese Taste noch einmal drücken, um den Zufallswiedergabemodus zu verlassen und zur normalen Wiedergabe zurückzukehren.

INTRO ABSPIELEN

Die MODUS Taste fünfmal drücken, um im Wiedergabemodus das Abspielen des Intros sofort zu aktivieren; der Player spielt nach dem Drücken der WIEDERGABE/PAUSE Taste die ersten 10 Sekunden jedes Titels nacheinander ab. Die WIEDERGABE/PAUSE noch einmal drücken, um den Intromodus zu verlassen und zur normalen Wiedergabe des aktuellen Titels zurückzukehren.

PROGRAMMIERTE WIEDERGABE

Der USB, SD/MMC Kartenmodus verfügt ebenfalls über eine programmierbare Wiedergabefunktion. Maximal 99 Titel können programmiert werden.

Programmierte Wiedergabe von USB als Beispiel:

Discs können mit der PROGRAMM Taste zum Abspielen in bevorzugter Reihenfolge bearbeitet werden. Im Stoppmodus einmal die PROGRAMM Taste drücken, "PROG USB" wird auf dem LCD mit blinkender Albumnummer und der Programmreihenfolge "P-01" angezeigt; die zu programmierende Albumnummer mit den ÜBERSPRINGEN/SUCHEN Tasten oder +10/ALBUM Taste wählen und zum Speichern PROGRAMM nochmals drücken; die Titelnummer blinkt und wartet auf die Auswahl. Den gewünschten Titel mit den ÜBERSPRINGEN/SUCHEN Tasten oder +10/ALBUM Taste wählen. Die PROGRAMM Taste erneut drücken, um die erste Programmierung zu bestätigen und zum nächsten Programmierschritt zu gehen. Die Programmreihenfolge wird mit "P-02" angezeigt und ist bereit für die nächste Eingabe.

Alle oberen Schritte wiederholen, um weitere Titel zu programmieren. Im Speicher können maximal 99 Titel in bevorzugter Reihenfolge programmiert werden. Nach Fertigstellung der Programmierung die WIEDERGABE/PAUSE Taste drücken, um die programmierte Wiedergabe in bevorzugter Reihenfolge zu starten. Der Player stoppt nach dem Abspielen aller programmierten Titel automatisch.

Mit der STOPP Taste kann die programmierte Wiedergabe beendet werden. Im Programmstoppmodus die STOPP Taste erneut drücken, um die Programmierung zu löschen; WIEDERGABE/PAUSE drücken, um die programmierte Wiedergabe in der selben Reihenfolge wie vorher zu starten.

AUX-EINGANG

Der Player kann als Leistungsverstärker verwendet werden, um Programme vom tragbaren Radio, TV oder MP3 Player oder sonstigen Geräten abzuspielen, vorausgesetzt das Gerät wurde so konstruiert, dass Audiosignale über eine LINE-OUT BUCHSE oder ähnlichem erzeugt werden können. Befolgen Sie folgende Schritte, um den Player an einem anderen Gerät anzuschließen:

1. Den Player mit dem mitgelieferten AC Netzkabel einschalten.
2. Die FUNKTIONSTASTE auf USB/AUX stellen.
3. Das Gerät mit dem LINE-OUT Kabel an der AUX-Eingangsbuchse des Players anschließen.
4. Gerät einschalten und Wiedergabe starten.

Jetzt hören Sie die Töne von den Programmen, die das angeschlossene Gerät sendet.

WICHTIGER HINWEIS:

Die Elektronik und das Aussehen des Players kann jederzeit ohne vorherige Ankündigung oder Haftungsübernahme geändert werden, da das Produkt ständigen Entwicklungen und Verbesserungen unterliegt. Wir entschuldigen uns für eventuelle Unannehmlichkeiten.

WICHTIGE INFORMATION

Bemerkung: Obwohl dieser CD-Spieler auch CD-R, CD-RW und MP3 Medien lesen kann, hängt die Klangqualität sehr von der Qualität der jeweiligen Medien, sowie von der Software ab, mit der die CD's erzeugt wurden. 100% Abspielbarkeit kann deshalb nicht gewährleistet werden. Dies ist jedoch kein Anzeichen einer Fehlfunktion des Gerätes!

WICHTIGE INFORMATION

Der USB-Port des Geräts ist voll kompatibel mit den USB Standards 1.1 und 2.0. Falls die Dateien auf dem MP3 Spieler nicht gemäß diesen offiziellen 1.1 oder 2.0 Standards gespeichert worden sind, kann es vorkommen, dass der angeschlossene MP3 Spieler nicht funktioniert. Dies ist kein Defekt dieses Produktes. Der MP3 Spieler ist nicht kompatibel mit den offiziellen USB Standards 1.1 und 2.0.

WARNUNG

1. Auf das Gerät dürfen keine offenen Flammen, wie z.B. angezündete Kerzen, gestellt werden.
2. Das Produkt nicht in geschlossene Bücherschränke oder Regale ohne einwandfreie Belüftung stellen.
3. Der Netzstecker dient als Abschaltvorrichtung, die Abschaltvorrichtung muss immer betriebsbereit sein.
4. Die Belüftung darf nicht durch Abdecken der Lüftungsöffnungen mit Gegenständen, wie z.B. Zeitungen, Tischdecken, Vorhängen, etc. behindert werden.
5. Das Gerät darf keinen Tropfen oder Spritzern ausgesetzt werden und es dürfen keine mit Flüssigkeiten gefüllten Gegenstände, wie z.B. Vasen, auf das Gerät gestellt werden.
6. Die FM Antenne nicht mit einer Außenantenne verbinden.
7. Das Gerät darf keiner direkten Sonneneinstrahlung, sehr hohen oder niedrigen Temperaturen, Feuchtigkeit und Vibrationen ausgesetzt oder in einer staubiger Umgebung aufgestellt werden.
8. Die Oberfläche des Geräts nicht mit Scheuermitteln, Benzol, Verdünnern oder sonstigen Lösungsmitteln reinigen. Zum Reinigen mit einer milden, nicht scheuernden Reinigungslösung und einem sauberen, weichen Tuch abwischen.
9. Niemals Drähte, Nadeln oder sonstige derartige Gegenstände in die Lüftungsschlitze oder Öffnungen des Geräts stecken.

Das Gerät nicht im Hausmüll entsorgen. Dieses Produkt muss nach der EU Richtlinie 2002/96/EC-WEEE (Elektro- und Elektronikaltgeräte) entsorgt werden. Geben Sie das Gerät an einer Sammelstelle ab. Beachten Sie die geltenden Vorschriften. Kontaktieren Sie im Zweifelsfalle Ihre Kommune.



VORSICHT

- Explosionsgefahr, wenn die Batterie nicht korrekt gewechselt wird.
- Nur durch den selben oder gleichwertigen Batterietyp ersetzen.
- Batterien dürfen keiner übermäßigen Hitze, wie z.B. Sonnenschein, Feuer oder ähnlichem ausgesetzt werden.
- Der Umweltschutz sollte bei der Batterieentsorgung besonders beachtet werden.

MESURES DE SÉCURITÉ IMPORTANTES

	AVERTISSEMENT RISQUES D'ÉLECTROCUTION NE PAS OUVRIR.	
<p>MISE EN GARDE : AFIN DE RÉDUIRE LES RISQUES D'ÉLECTROCUTION, NE RETIREZ PAS LE BOÎTIER (OU L'ARRIÈRE DE L'APPAREIL). IL NE SE TROUVE AUCUNE PIÈCE POUVANT ÊTRE RÉPARÉE PAR L'UTILISATEUR. CONFIEZ L'ENTRETIEN DE CET APPAREIL À UN TECHNICIEN QUALIFIÉ.</p>		



Les symboles de l'éclair et de la pointe de flèche dans un triangle permettent d'alerter l'utilisateur de la présence de 'tension dangereuse' non isolée à l'intérieur de l'appareil, d'une force telle qu'elle constitue un risque sérieux d'électrocution.



Le point d'exclamation à l'intérieur du triangle permet d'alerter l'utilisateur de la présence d'instructions d'opération et d'entretien importantes accompagnant le produit.



DANGER

Rayon laser invisible lorsque l'ouverture ou l'enclenchement est défectueux. Évitez l'exposition directe aux rayons.

ATTENTION

Pour éviter les risques d'incendie et d'électrocution, n'exposez pas cet appareil à la pluie ou à l'humidité. Pour éviter l'électrocution, n'ouvrez pas le boîtier, n'en confiez-en l'entretien qu'à un technicien compétent.

ATTENTION

L'usage des commandes, des réglages ou le recours à des procédures autres que ceux spécifiés dans le présent document peut provoquer une exposition dangereuse aux radiations.

PRÉCAUTIONS

Veuillez lire ces précautions avant de faire fonctionner cet appareil.

Protection du cordon d'alimentation

Pour éviter que le lecteur ne fonctionne mal et afin de vous protéger des risques d'électrocution, d'incendie, veuillez observer les consignes suivantes :

- Tenez fermement la fiche lorsque vous branchez et débranchez le cordon d'alimentation CA.
- Ne branchez pas et ne débranchez pas le cordon d'alimentation CA lorsque vos mains sont mouillées.
- Veuillez éloigner le cordon d'alimentation CA des appareils de chauffage.
- Ne placez aucun objet lourd sur le cordon d'alimentation CA.
- Ne tentez pas de réparer d'aucune façon le cordon d'alimentation CA.
- Retirez la poussière, la saleté, etc. de la fiche régulièrement.

Choix d'un emplacement

Évitez d'entreposer le lecteur dans les endroits suivants :

- Sous les rayons directs du soleil, près des plinthes électriques ou dans une automobile.
- Dans des endroits où la température est élevée (plus de 35° C) ou des endroits humides (dépassant 90%).
- Des endroits poussiéreux.
- Dans des endroits où se dégagent de fortes vibrations, des impacts ou là où la surface n'est pas égale car les pièces internes de l'appareil risqueraient de s'endommager.

Périodes de non-utilisation

Lorsque vous ne l'utilisez pas pendant une longue période de temps, débranchez-le de la prise de courant CA.

N'insérez pas vos doigts ou tout autre objet à l'intérieur de l'appareil

- Ne touchez pas aux pièces internes de ce lecteur, ceci est dangereux et peut causer des dommages sérieux à l'appareil. Ne tentez pas de démonter l'appareil.
- Ne mettez pas d'objets étrangers sur le plateau des disques.

Éloignez de l'eau et des objets magnétiques

- Éloignez le lecteur des vases à fleurs, baignoires, éviers, etc. Si des liquides sont renversés sur le lecteur, des dommages sérieux pourraient s'ensuivre.
- Éloignez du lecteur les objets magnétiques tels que les haut-parleurs.

Empilage

- Installez le lecteur en position horizontale et ne placez rien de lourd sur le dessus du lecteur.
- N'installez pas le lecteur sur un amplificateur ou autre équipement dégageant de la chaleur.

Condensation

De la condensation risque de se former sur la lentille dans l'une ou l'autre de des conditions suivantes :

- Immédiatement après avoir allumé un appareil de chauffage.
- Dans une pièce humide chargée de vapeur.
- Lorsque le lecteur est déplacé d'un environnement froid à un environnement chaud.

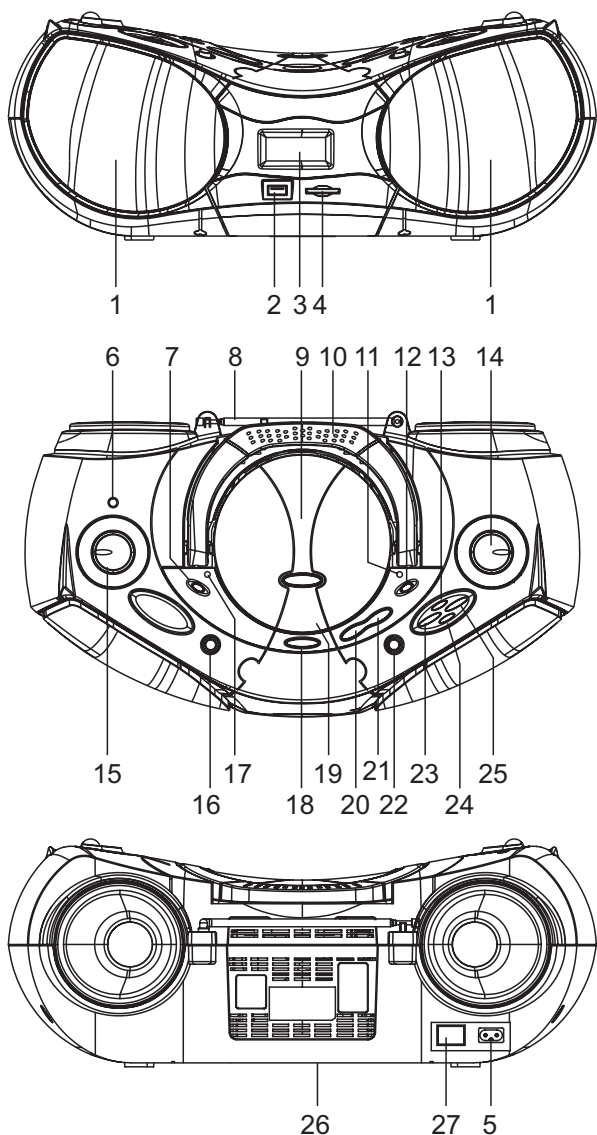
Si de l'humidité se forme à l'intérieur du lecteur, celui-ci risque de ne pas fonctionner correctement. Si ceci se produit, mettez l'appareil hors tension et attendez environ une heure avant de le remettre en marche pour que l'humidité s'évapore.

Attention:

- Afin d'éviter tout risque d'électrocution, cet appareil ne doit pas être exposé aux gouttes d'eau ni aux éclaboussures.
- Veillez à conserver des distances minimales autour de l'appareil pour une bonne aération.
- L'aération ne doit pas être gênée, il ne faut donc pas couvrir les ouvertures prévues à cet effet avec des objets tels que des journaux, des nappes, des rideaux, etc.
- Aucune source ouverte produisant des flammes, telle que des bougies, ne doit être placée sur l'appareil.
- L'utilisation de l'appareil dans des climats tropicaux et/ou tempérés.
- Avant de jeter l'appareil, retirez les piles et placez-les dans le conteneur de collecte de piles approprié.

LECTEUR PORTABLE DE DISQUES CD/MP3 RADIO STÉRÉO AVEC LECTEUR DE CARTES USB & SD/MMC

Veillez lire et observer ces instructions avant d'utiliser votre appareil.



IDENTIFICATION DES COMMANDES

1. HAUT-PARLEURS
2. PORT USB
3. ÉCRAN LCD
4. LOGEMENT DE CARTES SD/MMC
5. PRISE D'ALIMENTATION SECTEUR
6. PRISE AUXIN
7. SÉLECTEUR DE FONCTION
8. ANTENNE TÉLESCOPIQUE FM
9. COUVERCLE CD
10. POIGNÉE
11. INDICATEUR DE STATION FM
12. COMMUTATEUR DE BANDE
13. BOUTON DE MODE
14. COMMANDE DE SYNTONISATION
15. COMMANDE DE VOLUME
16. BOUTON USB/CARTE
17. VOYANT D'ALIMENTATION
18. BOUTON D'OUVERTURE DE COUVERCLE CD
19. ZONE À POUSSER POUR FERMETURE DU COUVERCLE CD
20. BOUTON D'ARRÊT
21. BOUTON DE LECTURE/PAUSE
22. BOUTON +10/ALBUM
23. BOUTON DE SAUT/RECHERCHE ARRIÈRE
24. BOUTON ÉG./PROGRAMME
25. BOUTON DE SAUT/RECHERCHE AVANT
26. COMPARTIMENT À PILES
27. INTERRUPTEUR D'ALIMENTATION SECTEUR (EN OPTION)

ALIMENTATION ÉLECTRIQUE

□ FONCTIONNEMENT SUR PILES

1. Enlevez avec précaution le couvercle du compartiment à piles.
2. Installez 8 piles de taille « C » (UM-2 ou équivalent), en veillant à observer les polarités correctes.
3. Remettez en place le couvercle du compartiment à piles.

REMARQUE :

- Le cordon d'alimentation sur secteur doit être débranché pour le fonctionnement sur piles.
- Pour éviter tout risque de dommage causé par une fuite des piles, enlevez celles-ci lorsqu'elles sont faibles ou lorsque l'appareil n'est pas utilisé pendant une période de temps prolongée.

□ FONCTIONNEMENT SUR SECTEUR

Raccordez l'une des extrémités du cordon d'alimentation à la prise située au dos de l'appareil et l'autre extrémité à la prise de courant.

ÉCOUTER LA RADIO

1. Placez le sélecteur de fonction sur la position RADIO, le voyant indicateur d'alimentation s'allume.
2. Sélectionnez la bande de fréquence voulue avec le commutateur de bande.
3. Effectuez le réglage sur la station voulue avec la commande de syntonisation. (Affinez le réglage en agissant sur la commande de façon à obtenir la qualité du son la plus claire et audible).
4. L'antenne AM (MW) intégrée et l'antenne télescopique FM sont du type directionnel.
 - Pour la réception des stations FM, déployez entièrement l'antenne télescopique et orientez-la pour obtenir les conditions optimales de réception.
 - Pour la réception des stations AM (MW), orientez l'appareil de manière à assurer la meilleure qualité de réception.
5. Réglez le volume à un niveau d'écoute confortable.
6. Pour éteindre la radio, placez le commutateur de fonction sur la position OFF.

REMARQUES :

- Si le signal d'une station FM (STÉRÉO) est faible ou si percevez un bruit de fond excessif, placez le sélecteur de bande sur la position FM (MONO). Cela permet souvent d'assurer une réception plus claire.
- Lorsque le commutateur de bande est réglé sur FM STEREO et lors de la réception d'une station en stéréo, le voyant indicateur STEREO s'allume.

MANIPULER ET ENTRETENIR UN CD

Observez les instructions ci-dessous pour manipuler et entretenir les CD de façon à prolonger leur durée de vie et à leur garantir des conditions optimales de fonctionnement :

- Veillez à ne pas toucher la face irisée du disque : manipuler celui-ci en le tenant par son bord.
- L'exposition prolongée au soleil, à des températures élevées et à l'humidité risque d'endommager le disque. Veillez à maintenir propre l'espace de rangement.
- Évitez de coller des étiquettes sur les deux faces d'un disque. Évitez absolument d'écrire avec un objet pointu sur le disque.
- Nettoyez le disque en essuyant le centre puis en procédant vers le bord avec un chiffon sec et doux ou un pinceau pour disques. Évitez d'utiliser une lotion nettoyante ou un nettoyant chimique.
- Rangez les CD dans leur pochette lorsqu'ils ne doivent pas être utilisés.



MANIPULER LE DISQUE COMME ILLUSTRÉ



NETTOYER LE DISQUE EN PROCÉDANT DU CENTRE VERS LE BORD



NE PAS RANGER UN DISQUE PRÈS D'UNE SOURCE DE CHALEUR

CHARGER UN DISQUE

1. Placez le commutateur de fonction sur la position CD/MP3.

REMARQUE : Si le commutateur de fonction est placé sur la position CD/MP3, veuillez vous assurer que les autres périphériques externes sont débranchés.

2. Ouvrez le couvercle du logement de CD.

3. Installez un disque avec sa face étiquetée sur le haut (si le disque est inséré à l'envers, l'écran affichera « PAS DE DISQUE »(NO DISC).
4. Fermez le couvercle du logement de CD à la main.
REMARQUE : Ne touchez jamais la lentille laser à l'intérieur du logement de CD. Si la lentille est sale, nettoyez-la avec un disque de nettoyage CD.

RETIRER UN DISQUE

1. Assurez-vous que le disque/MP3 n'est pas en cours de lecture. Dans ce cas, appuyez sur le bouton d'arrêt de CD.
2. Ouvrez le couvercle du logement de CD.
3. Retirez le disque avec précaution.
4. Fermez le couvercle du logement de CD à la main.
5. Rangez le disque dans sa pochette de protection.

LIRE UN CD

1. Assurez-vous que l'appareil est sous tension, placez le commutateur de fonction sur la position CD/MP3, le voyant indicateur d'alimentation s'allume.
2. Chargez un disque dans le logement de CD. Fermez le couvercle du logement de CD, le disque se met à tourner.
3. Réglez le volume au niveau voulu.
4. Pour interrompre provisoirement la lecture, appuyez sur le bouton LECTURE/PAUSE.
 - Le temps écoulé de la piste en cours de lecture clignote et une icône « PAUSE » s'affiche en bas de l'écran LCD pour indiquer que le lecteur est en mode pause.
 - Pour reprendre la lecture normale, réappuyez sur le bouton LECTURE/PAUSE.
5. Pour arrêter la lecture, appuyez sur le bouton ARRÊT. Le nombre total de pages et le temps complet de lecture seront affichés avec une icône « ARRÊT » en bas de l'écran.
6. Pour arrêter le lecteur, placez le commutateur de fonction sur la position OFF.

SÉLECTION DE L'ÉGALISEUR

Appuyez continuellement sur le bouton Ég./Programme au cours de la lecture d'un disque pour sélectionner les effets sonores de l'égaliseur parmi les options NORMAL, POP, ROCK, CLASSIQUE, JAZZ et BASSE.

SAUT DE PAGES ET RECHERCHE D'UN POINT SPÉCIFIQUE DE LECTURE

1. Appuyez une seule fois sur le bouton SAUT/RECHERCHE AVANT en cours de lecture musicale pour passer à la page suivante. Pour passer à une page ultérieure spécifique, appuyez plusieurs fois sur ce bouton.
2. Appuyez une seule fois sur le bouton SAUT/RECHERCHE ARRIÈRE en cours de lecture musicale pour passer à la dernière page. Pour passer à une page antérieure spécifique, appuyez plusieurs fois sur ce bouton.
3. Appuyez sur le bouton +10/ALBUM une seule fois pour passer à la page située 10 pages plus loin en avant et deux fois pour passer à la page située 20 pages plus loin en avant. Vous pouvez atteindre la dernière page du disque en utilisant ce bouton.
4. Maintenez enfoncé le bouton SAUT/RECHERCHE AVANT en cours de lecture musicale pour effectuer une recherche rapide en avant d'un point spécifique de lecture.
5. Maintenez enfoncé le bouton SAUT/RECHERCHE ARRIÈRE en cours de lecture musicale pour effectuer une recherche rapide en arrière d'un point spécifique de lecture.

LECTURE PROGRAMMÉE

La lecture programmée permet d'éditer des plages sur un disque dans un ordre déterminé à l'aide du bouton PROGRAMME.

En mode arrêt du CD, appuyez une seule fois sur le bouton ÉG./PROGRAMME. « PROGR. » (PROG) s'affiche sur l'écran LCD avec un numéro de plage clignotant et l'indication de séquence de programme « P-01 ».

Sélectionnez la première plage à programmer à l'aide des boutons SAUT/RECHERCHE puis réappuyez sur le bouton ÉG./PROGRAMME pour valider le choix et passer à l'étape de programmation suivante. L'indication de séquence de programme passe à « P-02 », en attente de la saisie suivante.

Répétez les étapes ci-dessus pour programmer d'autres plages. Un maximum de 20 plages peut être programmé en mémoire dans un ordre voulu.

Appuyez sur le bouton LECTURE/PAUSE pour lancer la lecture programmée dans l'ordre voulu après avoir effectué la programmation. Le lecteur s'arrête automatiquement après la lecture de toutes les plages programmées.

Vous pouvez appuyer sur le bouton ARRÊT pour interrompre la lecture programmée. En mode d'arrêt du programme, réappuyez sur le bouton ARRÊT pour annuler la programmation, réappuyez sur le bouton LECTURE/PAUSE pour relancer la lecture programmée dans l'ordre de programmation défini précédemment.

RÉPÉTER UNE PLAGE

Pour répéter la lecture d'une plage définie, appuyez sur le bouton MODE une seule fois, l'écran LCD affiche l'icône pour la répétition d'une plage déterminée. Sélectionnez ensuite la plage à l'aide des boutons SAUT/RECHERCHE ou du bouton +10/ALBUM. La lecture de la plage sélectionnée sera répétée jusqu'à ce que le bouton ARRÊT soit pressé.

RÉPÉTER TOUTES LES PLAGES

Pour répéter la lecture de toutes les plages, appuyez sur le bouton MODE deux fois de suite, l'écran LCD affiche l'icône pour la répétition de toutes les plages. La lecture de toutes les plages sera répétée jusqu'à ce que le bouton ARRÊT soit pressé.

LECTURE ALÉATOIRE

Ce mode permet la lecture des plages sur un disque de manière aléatoire. Appuyez sur le bouton MODE trois fois de suite pour établir ce mode en cours de lecture. « ALÉATOIRE » (RAN) s'affiche sur l'écran LCD.

Appuyez sur les boutons LECTURE/PAUSE ou SAUT pour lancer la lecture aléatoire. Les plages sur le disque seront sélectionnées de manière aléatoire pour leur lecture qui s'arrêtera automatiquement une fois toutes les plages lues. Appuyez sur le bouton MODE une nouvelle fois pour quitter le mode de lecture aléatoire.

LECTURE DU DÉBUT DES PLAGES

Cette fonction permet la lecture des dix premières secondes de chaque plage dans un ordre séquentiel.

Appuyez sur le bouton MODE quatre fois de suite pour établir ce mode en cours de lecture.

« INTRODUCTION » (INTRO) s'affiche sur l'écran LCD. Appuyez sur le bouton LECTURE/PAUSE pour lancer la lecture du début des plages à partir de la plage n°1. Appuyez sur le bouton SAUT AVANT pour lancer la lecture du début de plage à partir de la plage située immédiatement après la plage en cours et sur le bouton SAUT ARRIÈRE pour lancer la lecture du début de plage à partir de la plage précédente.

Appuyez sur le bouton ARRÊT pour quitter le mode de lecture du début des plages et sur le bouton LECTURE/PAUSE pour rétablir la lecture normale des morceaux de musique.

LECTURE DE MP3-CD (WMA)

Cet appareil permet la lecture des MP3-CD. La lecture d'un MP3-CD est moins rapide que celle des CD-DA (disques audio numériques). Veuillez faire preuve de patience lors de la lecture.

Une fois le MP3-CD correctement chargé, le nombre total d'albums et de plages est affiché sur l'écran LCD. Une seconde plus tard, la lecture commence à partir de la première plage du premier album avec l'icône Mp3.

LOCALISER UNE PLAGE OU UN ALBUM ET RECHERCHER UN POINT SPÉCIFIQUE POUR LA LECTURE

1. Appuyez une seule fois sur le bouton SAUT/RECHERCHE AVANT en cours de lecture musicale pour passer à la plage suivante. Pour passer à une plage ultérieure spécifique, appuyez plusieurs fois sur ce bouton.
2. Appuyez une seule fois sur le bouton SAUT/RECHERCHE ARRIÈRE en cours de lecture musicale pour passer à la dernière plage. Pour passer à une plage antérieure spécifique, appuyez plusieurs fois sur ce bouton.
3. Appuyez sur le bouton +10/ALBUM une seule fois pour passer à la plage située 10 plages plus loin en avant et deux fois pour passer à la plage située 20 plages plus loin en avant. Vous pouvez atteindre la dernière plage de l'album en cours en utilisant ce bouton.
4. Maintenez enfoncé le bouton SAUT/RECHERCHE AVANT en cours de lecture musicale pour effectuer une recherche rapide en avant d'un point spécifique de lecture.
5. Maintenez enfoncé le bouton SAUT/RECHERCHE ARRIÈRE en cours de lecture musicale pour effectuer une recherche rapide en arrière d'un point spécifique de lecture.
6. Maintenez enfoncé le bouton +10/ALBUM ; le numéro d'album clignote. Appuyez sur le bouton SAUT/RECHERCHE pour sélectionner l'album voulu et réappuyez sur le bouton ALBUM pendant 2 secondes pour valider la sélection de l'album. Le numéro de plage clignote pour vous permettre de sélectionner la plage voulue dans l'album concerné à l'aide des boutons SAUT/RECHERCHE. Pour terminer, réappuyez sur le bouton LECTURE/PAUSE pour lancer la lecture de la plage choisie.

RÉPÉTER UNE PLAGE (MP3/USB/SD/MMC)

Pour répéter la lecture d'une plage définie, appuyez sur le bouton MODE une seule fois, l'écran LCD affiche l'icône pour la répétition d'une plage déterminée. Sélectionnez ensuite la plage voulue à l'aide des boutons SAUT/RECHERCHE. La plage sélectionnée sera lue jusqu'à ce que le bouton ARRÊT soit pressé.

RÉPÉTER TOUTES LES PLAGES (MP3/USB/SD/MMC)

Pour répéter la lecture de toutes les plages, appuyez sur le bouton MODE deux fois de suite, l'écran LCD affiche l'icône pour la répétition de toutes les plages. La lecture de toutes les plages sera répétée jusqu'à ce que le bouton ARRÊT soit pressé.

RÉPÉTER UN ALBUM (MP3/USB/SD/MMC)

Pour répéter la lecture d'un album défini, appuyez sur le bouton MODE trois fois de suite, l'écran LCD affiche l'icône pour la répétition d'un album déterminé. Sélectionnez ensuite la plage voulue simultanément à l'aide des boutons +10/ALBUM et SAUT. La lecture de la plage sélectionnée sera répétée jusqu'à ce que le bouton ARRÊT soit pressé.

LECTURE ALÉATOIRE (MP3/USB/SD/MMC)

Ce mode permet la lecture des plages sur un disque de manière aléatoire. Appuyez sur le bouton MODE quatre fois de suite pour établir ce mode en cours de lecture. « ALÉATOIRE » (RAN) s'affiche sur l'écran LCD.

Appuyez sur les boutons LECTURE/PAUSE ou SAUT pour lancer la lecture aléatoire. Les plages sur le disque seront sélectionnées de manière aléatoire pour leur lecture qui s'arrêtera automatiquement une fois toutes les plages lues. Réappuyez une seule fois sur le bouton MODE pour quitter le mode de lecture aléatoire et revenir au mode normal de lecture à partir de la plage atteinte.

LECTURE DU DÉBUT DES PLAGES (MP3/USB/SD/MMC)

Cette fonction permet la lecture des dix premières secondes de chaque plage dans un ordre séquentiel. Appuyez sur le bouton MODE cinq fois de suite pour établir ce mode en cours de lecture. « INTRODUCTION » (INTRO) s'affiche sur l'écran LCD. Appuyez sur le bouton LECTURE/PAUSE pour lancer la lecture du début des plages à partir de la plage n°1. Appuyez sur le bouton SAUT AVANT pour lancer la lecture du début de plage à partir de la plage située immédiatement après la plage en cours et sur le bouton SAUT ARRIÈRE pour lancer la lecture du début de plage à partir de la plage précédente. Réappuyez sur le bouton LECTURE/PAUSE pour quitter le mode de lecture du début des plages et rétablir la lecture normale des morceaux de musique.

LECTURE PROGRAMMÉE (MP3/USB/SD/MMC)

La lecture programmée permet d'éditer des plages sur un disque dans un ordre déterminé à l'aide du bouton PROGRAMME. En mode arrêt de MP3, appuyez une seule fois sur le bouton ÉG./PROGRAMME. « PROGR. » (PROG) s'affiche sur l'écran LCD avec un numéro d'album clignotant et l'indication de séquence de programme « P-01 ». Sélectionnez le numéro d'album à programmer à l'aide des boutons SAUT/RECHERCHE ou +10/ALBUM puis réappuyez sur le bouton PROGRAMME pour valider le choix. Le numéro de plage clignote pour vous permettre d'effectuer une sélection. Sélectionnez la plage voulue avec les boutons SAUT/RECHERCHE ou +10/ALBUM. Réappuyez sur le bouton PROGRAMME pour confirmer la première programmation et passer à l'étape de programmation suivante. L'indication de séquence de programme passe à « P-02 », en attente pour la saisie suivante.

Répétez les étapes ci-dessus pour programmer d'autres plages. Un maximum de 99 plages peut être programmé en mémoire dans un ordre voulu.

Appuyez sur le bouton LECTURE/PAUSE pour lancer la lecture programmée dans l'ordre voulu après avoir effectué la programmation. Le lecteur s'arrête automatiquement après la lecture de toutes les plages programmées.

Vous pouvez appuyer sur le bouton ARRÊT pour interrompre la lecture programmée. En mode d'arrêt du programme, réappuyez sur le bouton ARRÊT pour annuler la programmation, réappuyez sur le bouton LECTURE/PAUSE pour relancer la lecture programmée dans l'ordre de programmation défini précédemment.

FONCTIONNEMENT AVEC SUPPORT À MÉMOIRE EXTERNE (USB/SD/MMC)

Préparez le lecteur pour le fonctionnement avec support à mémoire externe.

Insérez une clé USB dans le port USB ou une carte SD/MMC dans le logement de cartes. Placez le commutateur de fonction sur le mode USB/AUX et la lecture commence à partir de la première plage.

REMARQUE: Vous pouvez appuyer sur le bouton USB/CARTE pour commuter entre les modes USB et SD/MMC.

DIVERS MODES DE LECTURE

SAUTER DES PLAGES ET RECHERCHER ENTRE DES PLAGES

Appuyez une seule fois sur le bouton SAUT AVANT pour sauter la plage en cours et passer à la lecture de la plage suivante. Continuez d'appuyer sur ce bouton pour passer aux plages en avant correspondantes.

Appuyez sur le bouton SAUT ARRIÈRE pour passer à la dernière plage. Continuez d'appuyer sur ce bouton pour revenir aux plages précédentes.

Appuyez sur le bouton +10/ALBUM et maintenez-le enfoncé pendant 2 secondes au cours de la lecture, le numéro d'album clignote. Sélectionnez l'album voulu à l'aide des boutons SAUT/RECHERCHE. Réappuyez sur le bouton ALBUM pendant 2 secondes pour valider la sélection de l'album, le numéro de plage clignote pour vous permettre de sélectionner la plage voulue de l'album concerné à l'aide des boutons SAUT/RECHERCHE. Pour terminer, réappuyez sur le bouton LECTURE/PAUSE pour lancer la lecture de la plage choisie. Maintenez enfoncé le bouton SAUT/RECHERCHE AVANT en cours de lecture musicale pour effectuer une recherche rapide en avant d'un point spécifique de lecture. Maintenez enfoncé le bouton SAUT/RECHERCHE ARRIÈRE en cours de lecture musicale pour effectuer une recherche rapide en arrière d'un point spécifique de lecture.

MODES DE RÉPÉTITION

Appuyez une seule fois sur le bouton MODE en mode lecture pour répéter la plage en cours ; l'écran LCD affiche l'icône de répétition d'une seule plage.

Appuyez deux fois de suite sur le bouton pour répéter la lecture de la totalité des plages enregistrées sur le support de stockage (carte USB/MMC) ; l'écran LCD affiche l'icône de répétition de toutes les plages. Appuyez trois fois de suite sur le bouton pour répéter la lecture de la totalité des plages dans le répertoire en cours. L'écran LCD affiche l'icône pour la répétition de l'album.

LECTURE ALÉATOIRE

Appuyez quatre fois de suite sur le bouton MODE en mode lecture pour activer la lecture aléatoire : le lecteur reprendra les plages dans un ordre de lecture aléatoire après avoir appuyé sur le bouton LECTURE/PAUSE. Vous pouvez réappuyer sur ce bouton pour quitter le mode de lecture aléatoire et revenir au mode normal de lecture.

LECTURE DU DÉBUT DES PLAGES

Appuyez cinq fois de suite sur le bouton MODE en mode lecture pour activer immédiatement la lecture par balayage du début des plages ; le lecteur reprendra les plages pour la lecture des 10 premières secondes de chaque plage dans un ordre séquentiel après avoir appuyé sur le bouton LECTURE/PAUSE. Vous pouvez réappuyer sur le bouton LECTURE/PAUSE pour quitter le mode de lecture du début des plages et revenir au mode normal de lecture à partir de la plage atteinte.

LECTURE PROGRAMMÉE

En mode USB, carte SD/MMC, il existe également une fonction de lecture programmée. Un maximum de 99 plages peut être programmé.

Exemple de lecture programmée en mode USB :

Les disques peuvent être édités pour leur lecture dans un ordre voulu à l'aide du bouton PROGRAMME. En mode arrêt, appuyez une seule fois sur le bouton PROGRAMME. « PROGR. USB » (PROG USB) s'affiche sur l'écran LCD avec un numéro d'album clignotant et l'indication de séquence de programme « P-01 ». Sélectionnez le numéro d'album à programmer à l'aide des boutons SAUT/RECHERCHE ou +10/ALBUM puis réappuyez sur le bouton PROGRAMME pour valider le choix. Le numéro de plage clignote pour vous permettre d'effectuer une sélection. Sélectionnez la plage voulue avec les boutons SAUT/RECHERCHE ou +10/ALBUM. Réappuyez sur le bouton PROGRAMME pour confirmer la première programmation et passer à l'étape de programmation suivante. L'indication de séquence de programme passe à « P-02 », en attente pour la saisie suivante. Répétez les étapes ci-dessus pour programmer d'autres plages. Un maximum de 99 plages peut être programmé en mémoire dans un ordre voulu.

Appuyez sur le bouton LECTURE/PAUSE pour lancer la lecture programmée dans l'ordre voulu après avoir effectué la programmation. Le lecteur s'arrête automatiquement après la lecture de toutes les plages programmées.

Vous pouvez appuyer sur le bouton ARRÊT pour interrompre la lecture programmée. En mode d'arrêt du programme, réappuyez sur le bouton ARRÊT pour annuler la programmation, réappuyez sur le bouton LECTURE/PAUSE pour relancer la lecture programmée dans l'ordre de programmation défini précédemment.

ENTRÉE AUXILIAIRE

Votre lecteur peut être utilisé comme amplificateur de puissance pour la lecture de programmes à partir d'une radio portable, un téléviseur ou un lecteur MP3 ou tout appareil conçu de manière à ce que le signal audio puisse être généré par l'intermédiaire d'une prise de SORTIE DE LIGNE ou similaire. Observez les instructions suivantes pour raccorder le lecteur à un autre appareil :

1. Mettez le lecteur sous tension à l'aide du cordon d'alimentation sur secteur.
2. Placez le bouton FONCTION sur la position USB/AUX.
3. Reliez l'appareil à la prise d'entrée AUX du lecteur avec le câble de SORTIE DE LIGNE de l'appareil.
4. Mettez l'appareil sous tension et lancez la lecture.

Il vous sera alors possible de percevoir le son émis par les programmes que l'appareil raccordé diffuse.

REMARQUES IMPORTANTES :

Ce lecteur peut être soumis à des modifications sans préavis de ses composants électroniques et de sa conception dans le cadre de notre politique d'amélioration constante de ce produit. Nous vous prions de nous excuser pour les désagréments occasionnés par ces modifications.

IMPORTANT

Remarque: Bien que cet appareil soit conçu pour pouvoir en plus des disques CD normaux, lire également des disques CD-R, CD-RW et MP3, cette capacité de lecture peut être affectée par le type de software qui a été utilisé lors de l'enregistrement du disque, ainsi que par sa qualité ou les conditions et même du type du support utilisé. La lisibilité à 100% ne peut donc être garantie. Ce n'est pas une indication qu'il y a un problème avec l'appareil!

IMPORTANT

La porte USB de ce produit est complètement compatible avec les standards USB 1.1 et 2.0. Dans l'alternative ou un auxiliaire MP3 connecté ne fonctionne pas, il devrait très certainement s'agir d'un lecteur qui ne répond pas aux standards officiels USB 1.1 ou 2.0. Dans ce cas, il ne s'agit pas d'une panne de l'appareil. C'est l'auxiliaire MP3 qui ne répond pas aux normes USB 1.1 ou 2.0 officielles

AVERTISSEMENT

1. Ne placer aucune source de flammes, telles que des bougies allumées sur cet appareil.
2. Ne pas placer ce produit dans une bibliothèque ou une étagère fermées sans ventilation adéquate.
3. La prise de courant est la seule source de déconnexion électrique et doit de ce fait rester accessible constamment.
4. La ventilation ne doit pas être obstruée par quelque objet que ce soit (journaux, rideaux, linge de maison etc.)
5. L'appareil ne doit pas être exposé à des éclaboussures ou à des gouttes d'eau. Aucun objet contenant du liquide (vases...) ne doit être placé sur l'appareil.
6. Ne pas relier l'antenne FM à une antenne extérieure.
7. Cet appareil ne doit pas être directement exposé à la lumière du soleil, à des températures élevées ou basses, à l'humidité ou placé dans un environnement poussiéreux.
8. Ne pas utiliser de produits abrasifs, de benzène, dissolvant ou toute autre substance chimique pour le nettoyer. N'utiliser que des solutions douces et non abrasives et un linge propre et sec.
9. Ne jamais essayer d'insérer câbles, aiguilles ou quelque objet que ce soit dans les ouvertures de l'appareil.

Ne pas jeter cet appareil avec les déchets ménagers ordinaires. Ce produit doit être recyclé conformément à la directive EU 2002/96/EC-WEEE (Déchets d'équipements électriques et électroniques). Rapporter l'appareil à un point de collecte. Suivre la réglementation en vigueur. En cas de doute, prendre contact avec sa municipalité.



ATTENTION

- Danger d'explosion si la pile est mal remplacée.
- Ne remplacer qu'avec le même type de pile.
- Les piles ne doivent pas être exposées à des sources de chaleur comme les rayons du soleil, le feu ou autres sources du même genre.
- Nous vous demandons de prêter attention aux aspects environnementaux du recyclage des piles.

INFORMACIÓN DE SEGURIDAD

	PRECAUCIÓN RIESGO DE DESCARGA ELÉCTRICA NO ABRA	
<p>PRECAUCIÓN: PARA REDUCIR EL RIESGO DE DESCARGA ELÉCTRICA, NO quite la tapa (o parte posterior). EN EL INTERIOR NO HAY PIEZAS QUE NECESITEN MANTENIMIENTO. SOLICITE ASISTENCIA A PERSONAL DE SERVICIO CUALIFICADO.</p>		



El rayo de luz con punta de flecha, dentro de un triángulo equilátero, está pensado para alertar al usuario de la presencia de "tensión peligrosa" no aislada dentro de la caja del producto que puede ser de magnitud suficiente para constituir un riesgo de descarga eléctrica para las personas.



El signo de admiración dentro de un triángulo equilátero está pensado para alertar al usuario de la presencia de importantes instrucciones de manejo y mantenimiento (asistencia) en la literatura que acompaña al aparato.



PELIGRO

Radiación láser invisible cuando se abre y falla o se deteriora el enclavamiento. Evite una exposición directa al haz.

ATENCIÓN

Para evitar peligros de fuego o descargas, no exponga este aparato a la lluvia o la humedad. Para evitar una descarga eléctrica, no abra el mueble, solicite asistencia solo a personal cualificado.

PRECAUCIÓN

El uso de controles o ajustes o la realización de procedimientos de manera distinta a la especificada en este documento pueden tener como resultado una exposición peligrosa a radiación.

PRECAUCIONES

Lea por favor estas precauciones antes de hacer funcionar este reproductor.

Protección del Cable de Alimentación

Para evitar cualquier disfunción del reproductor, y para protegerse contra descargas eléctricas, fuego o heridas personales, observe por favor lo siguiente.

- Sostenga firmemente el enchufe al conectar o desconectar el cable de alimentación de CA.
- No conecte o desconecte el cable de alimentación de CA con las manos mojadas.
- Mantenga el cable de alimentación de CA lejos de aparatos de calefacción.
- Nunca ponga un objeto pesado sobre el cable de alimentación de CA.
- No intente reparar ni reconstruir el cable de alimentación de CA de ninguna manera.
- Quite con regularidad el polvo, la suciedad, etc. del enchufe.

Colocación

Evite colocar el reproductor en zonas de:

- luz directa del sol o radiadores de calefacción, o automóviles cerrados
- temperatura alta (más de 35°C) o humedad alta (más de 90%)
- polvo excesivo
- vibraciones, impactos o donde la superficie esté inclinada ya que las piezas internas pueden dañarse gravemente.

Períodos sin uso

Cuando se deja sin usar durante un periodo de tiempo largo, el reproductor debe desenchufarse del enchufe de CA de la casa.

Ni dedos ni otros objetos dentro

- Tocar las piezas internas de este reproductor es peligroso y puede provocar daños graves al reproductor. No intente desmontar el reproductor.
- No ponga ningún objeto extraño en la bandeja del disco.

Aléjelo del agua y de objetos magnéticos

- Mantenga al reproductor lejos de jarrones de flores, bañeras, fregaderos, etc. Si se derraman líquidos en el reproductor, se podrían producir daños graves.
- Mantenga los objetos magnéticos tales como altavoces, a distancia del reproductor.

Apilamiento

- Coloque el reproductor en una posición horizontal y no coloque nada pesado encima.
- No coloque el reproductor en amplificadores ni otros equipos que puedan llegar a estar calientes.

Condensación

Se puede formar humedad en la lente en las siguientes condiciones:

- inmediatamente después de encender un calentador.
- en una habitación con vapor o muy húmeda.
- cuando el reproductor se mueve de un ambiente frío a uno caliente.

Si se forma humedad dentro de este reproductor, no puede funcionar correctamente. En este caso, apague la alimentación y espere aproximadamente una hora para que la humedad se evapore.

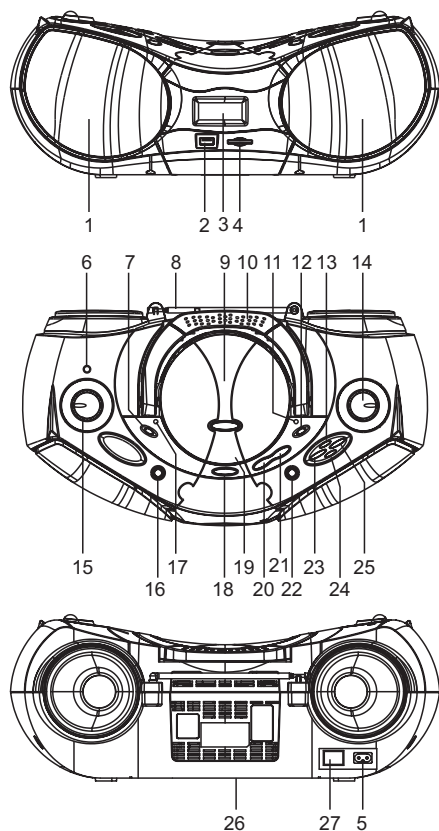
Precaución:

- Para evitar una descarga eléctrica, esta unidad no debe exponerse a goteo de agua ni salpicaduras de agua.
- Distancias mínimas alrededor del aparato para una ventilación suficiente.
- La ventilación no debe impedirse cubriendo las aberturas de ventilación con artículos, tales como periódicos, manteles, cortinas, etc.
- No debe colocarse sobre el aparato ninguna fuente de llama desnuda, como velas de iluminación.
- El uso del aparato en climas tropicales y/o moderados.
- Antes de abandonar el aparato, quite las baterías y colóquelas en el contenedor apropiado de recogida de baterías.

REPRODUCTOR DE DISCO COMPACTO (CD/MP3) CON RADIO AM/FM, PUERTO USB Y LECTOR DE TARJETA SD/MMC

Favor de leer este manual completamente antes de operar este producto. Conservar este manual para futuras referencias

DESCRIPCION DE PARTES



1. BOCINAS
2. PUERTO USB
3. PANTALLA DE CRISTAL LIQUIDO
4. RANURA PARA TARJETA SD/MMC
5. CONECTOR DE ENTRADA DE Vca
6. CONECTOR DE ENTRADA AUXILIAR
7. SELECTOR DE FUNCIÓN
8. ANTENA TELESCOPICA DE FM
9. PUERTA DEL DISCO
10. ASA / AGGARRADERA
11. INDICADOR DE FM ESTEREO
12. SELECTOR DE BANDA
13. BOTON DE MODO
14. CONTROL DE SINTONIA
15. CONTROL DE VOLUMEN
16. BOTÓN DE TARJETA/USB
17. INDICADOR DE PODER
18. BOTÓN PARA ABRIR PUERTA DEL DISCO
19. AREA PARA CERRAR PUERTA DEL DISCO
20. BOTÓN DE DETENER
21. BOTÓN DE REPRODUCIR/PAUSAR
22. BOTÓN DE ALBUM/10+
23. BOTÓN DE ANTERIOR / BUSCAR
24. BOTÓN DE ECUALIZADOR / PROGRAMA
25. BOTÓN DE SIGUIENTE / BUSCAR
26. COMPARTIMIENTO DE BATERIAS
27. INTERRUPTOR DE PODER PRINCIPAL (OPCIONAL)

FUENTES DE ALIMENTACIÓN

■ OPERACIÓN CON BATERÍAS (Vcc)

1. Remover la tapa del compartimiento de las baterías.
2. Insertar 8 baterías de 1,5 Vcc tamaño "C", "UM-2" o equivalentes (no incluidas), verificando la correcta polaridad cómo se observa en el interior del compartimiento.
3. Colocar la tapa del compartimiento de las baterías nuevamente.

NOTAS:

- Al operar con las baterías se debe desconectar el cordón de alimentación de Vca.
- Para evitar daños debido al goteo de líquido ácido de las baterías, retirar las baterías de la unidad cuando están agotadas o cuando la unidad no va ser usada por un periodo largo de tiempo.

■ OPERACIÓN CON Vca

Conectar el extremo del cordón de alimentación en el conector de entrada de Vca de la unidad, entonces conectar el otro extremo del cordón de alimentación (clavija) en un tomacorriente.

NOTA: Asegurarse de ajustar el selector de voltaje al voltaje de su localidad (opcional, solo para versión con voltaje dual).

OPERACIÓN DEL RADIO

1. Colocar el selector de función en la posición de RADIO, el indicador de poder se enciende.
2. Seleccionar la banda deseada a través del selector de banda.
3. Sintonizar la estación deseada a través del control de sintonía (girar el control hacia atrás o hacia delante hasta obtener una recepción clara y fuerte).
4. La antena interna de AM y la antena externa telescópica de FM son direccionales.
 - Al sintonizar una estación de FM, extender completamente la antena telescópica y girarla para obtener una mejor recepción.
 - Al sintonizar una estación de AM, girar la unidad para obtener una mejor recepción.
5. Ajustar el volumen al nivel deseado a través del control de volumen.
6. Para apagar el radio, colocar el selector de función en la posición de apagado "OFF".

NOTAS:

- Si una estación de FM estereo tiene señal débil o se escucha demasiado ruido de fondo, colocar el selector de banda en la posición de FM Monoaural (MONO), esto ofrece una recepción mas clara.
- Cuando el selector de banda es colocado en la banda de FM Estereo y sintoniza una estación estereo, el indicador de FM estereo se ilumina.

MANEJO Y MANTENIMIENTO DE LOS DISCOS COMPACTOS

Seguir las instrucciones siguientes para el manejo y mantenimiento de los discos para prevenir daños y obtener la mayor de duración de los mismos.

- Asegurarse de sujetar los discos por el borde y no tocar las superficies de los mismos.
- La exposición de los discos a los rayos del sol, altas temperaturas y humedad puede dañarlos. Mantener los discos en su estuche y en un área limpia y seca.
- No pegar etiquetas adheribles o escribir sobre las superficies de los discos, esto puede dañarlos.
- Para limpiar los discos, usar solo un pedazo de tela suave, limpia, seca y libre de pelusa o un cepillo para discos. No usar Benceno o Thiner ya que estos pueden dañar los discos. Los discos deben limpiarse con movimientos rectos del centro hacia el borde, no con movimientos circulares.
- Almacenar los discos en su estuche cuando no estén en uso.



Sostener los discos como se observa



Limpiar del centro al borde



No colocar cerca del calor

CARGANDO UN DISCO COMPACTO

1. Colocar el selector de función en la posición de CD/MP3.
NOTA: Al colocar el selector de función en la posición de CD/MP3, asegurarse de desconectar cualquier dispositivo externo.
2. Presionar el botón para abrir la puerta del compartimiento del disco (si el disco es colocado hacia abajo, la pantalla despliega "NO DISC").
3. Colocar un disco en la bandeja con la etiqueta dirigida hacia arriba.
4. Cerrar la puerta del compartimiento del disco.
NOTA: No tocar el lente láser en el interior del compartimiento. Si el lente láser está sucio, limpiarlo con un disco limpiador de lente láser.

REMOVER EL DISCO COMPACTO

1. Asegurarse que el disco no esté en reproducción: Si es así, presionar el botón de "DETENER" para detener la reproducción y esperar que el disco deje de girar.
2. Presionar el botón para abrir la puerta del compartimiento del disco.
3. Remover el disco suavemente.
4. Cerrar la puerta del compartimiento del disco.
5. Colocar el disco dentro de su estuche para evitar daños.

REPRODUCCION DE UN DISCO COMPACTO

1. Colocar el selector de función en la posición de CD/MP3, el indicador de poder se enciende.
2. Seguir el procedimiento para cargar un disco compacto. Después de cargar el disco y cerrar la puerta, el reproductor empezará a leerlo. Cuando el disco es leído completamente, el número total de pistas en el disco se despliega en la pantalla y enseguida inicia la reproducción de la primera pista del disco.
3. Ajustar el volumen al nivel deseado a través del control de volumen.
4. Presionar el botón de "REPRODUCIR/PAUSAR" una vez para pausar la reproducción.
 - El tiempo transcurrido de la pista empieza a destellar en la pantalla y el indicador "PAUSE" se despliega en la parte baja de la pantalla para indicar que el disco está en el modo de pausa.
 - Presionar "REPRODUCIR/PAUSAR" nuevamente para volver a la reproducción normal.
5. Presionar "DETENER" para detener la reproducción de la pista. La pantalla despliega el número total de pistas del disco y el indicador "STOP" se despliega en la parte baja de la pantalla para indicar que el disco está en el modo detenido.
6. Para apagar el reproductor, colocar el selector de función en la posición de apagado "OFF".

SELECCIONAR MODO DE ECUALIZACION

Presionar el botón de "ECUALIZADOR/PROGRAMA" continuamente durante la reproducción del disco para seleccionar el modo de ecualización de Normal, Pop, Rock, Clásica, Jazz y Bajos.

SALTAR PISTAS Y BUSCAR UN PUNTO ESPECÍFICO EN LA REPRODUCCION

1. Presionar una vez "SIGUIENTE/BUSCAR" durante la reproducción para saltar a la pista siguiente. Presionar varias veces para saltar a una pista específica.
2. Presionar una vez "ANTERIOR/BUSCAR" durante la reproducción para saltar al inicio de la pista anterior. Presionar varias veces para saltar a una pista específica.
3. Presionar "ALBUM/10+" una vez para saltar 10 pistas hacia delante, presionar "ALBUM/10+" dos veces para saltar 20 pistas hacia delante. Puede alcanzar la última pista del disco presionando este botón.
4. Presionar y sostener "SIGUIENTE/BUSCAR" durante la reproducción para buscar hacia delante un punto específico de la pista a alta velocidad. Cuando el punto deseado es localizado, liberar el botón para volver a la reproducción normal.
5. Presionar y sostener "ANTERIOR/BUSCAR" durante la reproducción para buscar hacia atrás un punto específico de la pista a alta velocidad. Cuando el punto deseado es localizado, liberar el botón para volver a la reproducción normal.

PROGRAMAR REPRODUCCION

Esta función permite programar las pistas para ser reproducidas en un orden deseado. En el modo detenido, presionar "ECUALIZADOR/PROGRAMA" una vez y la pantalla despliega "PROG" destellando el número de pista y la indicación de secuencia de programa "P-01". Presionar "ANTERIOR/BUSCAR" o "SIGUIENTE/BUSCAR" para seleccionar la pista deseada. Presionar "ECUALIZADOR/PROGRAMA" nuevamente para almacenar la pista en memoria y pasar al siguiente paso de programación. El indicador de secuencia de programa cambia a "P-02" esperando ingresar la siguiente pista a programar. Repetir el paso 2 para programar las demás pistas. Hasta un máximo de 20 pistas pueden ser programadas en el orden deseado. Presionar "REPRODUCIR/PAUSAR" para iniciar la reproducción de la primera pista programada. La reproducción se detiene automáticamente cuando todas las pistas se reproducen, Presionar "DETENER" para detener la reproducción del programa. En el modo de programa detenido, presionar "REPRODUCIR/PAUSAR" para volver a la reproducción del programa en el orden definido.

REPETIR UNA PISTA

Para repetir la reproducción de una pista deseada, presionar "MODO" una vez y la pantalla despliega el indicador de repetir una pista. Entonces seleccionar la pista deseada presionando "ANTERIOR/BUSCAR" o "SIGUIENTE/BUSCAR" o "ALBUM/+10". La pista seleccionada se reproduce continuamente hasta que presiona "DETENER".

REPETIR TODAS LAS PISTAS

Para repetir todas las pistas del disco, presionar "MODO" dos veces y la pantalla despliega el indicador de repetir todas las pistas. Todas las pistas del disco se reproducen continuamente hasta presionar "DETENER".

REPRODUCCION ALEATORIA (AL AZAR)

Esta función reproduce todas las pistas del disco de manera aleatoria (al azar) definida por el reproductor. Presionar el botón de "MODO" tres veces para entrar a la función y la pantalla despliega "RAN". Presionar el botón de "REPRODUCIR/PAUSAR" para iniciar la reproducción aleatoria.

Las pistas del disco son seleccionadas y reproducidas al azar por el reproductor, la reproducción se detiene automáticamente cuando todas las pistas son reproducidas. Presionar "Modo" una vez mas para salir del modo de reproducción aleatoria.

INTRODUCCION DE LA REPRODUCCION

Esta función reproduce los primeros 10 segundos de cada una de las pistas del disco en orden secuencial. Presionar "MODO" cuatro veces para entrar a este modo durante la reproducción y la pantalla despliega "INTRO". Presionar el botón de "REPRODUCIR/PAUSAR" para iniciar la introducción a partir de la primera pista. En el modo de introducción, presionar "ANTERIOR/BUSCAR" o "SIGUIENTE/BUSCAR" para saltar a la introducción de la pista anterior o siguiente. Presionar "DETENER" para salir del modo de introducción o presionar "REPRODUCIR/PAUSAR" para salir de la introducción y volver a la reproducción normal a partir de la pista actual.

REPRODUCCION CD-MP3 (WMA)

Este reproductor puede reproducir discos con formato MP3. El reproductor tarda más en leer un disco con formato MP3 que un disco de audio normal. Esperar a que termine de leer el disco.

Después de que el CD-MP3 es leído completamente, la pantalla despliega el número total de carpetas y pistas en el disco. Un segundo después inicia automáticamente la reproducción de la primera pista de la primera carpeta del disco junto con el indicador de MP3.

SALTAR PISTAS Y BUSCAR UN PUNTO ESPECÍFICO EN LA REPRODUCCION

1. Presionar una vez "SIGUIENTE/BUSCAR" durante la reproducción para saltar a la pista siguiente. Presionar varias veces para saltar a una pista específica.
2. Presionar una vez "ANTERIOR/BUSCAR" durante la reproducción para saltar al inicio de la pista anterior. Presionar varias veces para saltar a una pista específica.
3. Presionar "ALBUM/10+" una vez para saltar 10 pistas hacia delante, presionar "ALBUM/10+" dos veces para saltar 20 pistas hacia delante. Puede alcanzar la última pista del disco presionando este botón.
4. Presionar y sostener "SIGUIENTE/BUSCAR" durante la reproducción para buscar hacia delante un punto específico de la pista a alta velocidad. Cuando el punto deseado es localizado, liberar el botón para volver a la reproducción normal.
5. Presionar y sostener "ANTERIOR/BUSCAR" durante la reproducción para buscar hacia atrás un punto específico de la pista a alta velocidad. Cuando el punto deseado es localizado, liberar el botón para volver a la reproducción normal.
6. Presionar y sostener "ALBUM/10+" durante la reproducción, el número del álbum empieza a destellar; seleccionar el álbum deseado presionando "ANTERIOR/BUSCAR" o "SIGUIENTE/BUSCAR"; confirmar el álbum seleccionado presionando y sosteniendo "ALBUM/10+", el número de la pistas empieza a destellar para ingresar el numero de la pista deseada del álbum seleccionada presionando "ANTERIOR/BUSCAR" o "SIGUIENTE/BUSCAR". Finalmente presionar "REPRODUCIR/PAUSAR" para empezar la reproducción de la pista seleccionada.

REPETIR UNA PISTA

Para repetir la reproducción de una pista deseada, presionar "MODO" una vez y la pantalla despliega el indicador de repetir una pista. Entonces seleccionar la pista deseada presionando "ANTERIOR/BUSCAR" o "SIGUIENTE/BUSCAR". La pista seleccionada se reproduce continuamente hasta que presiona "DETENER".

REPETIR TODAS LAS PISTAS

Para repetir todas las pistas del disco, presionar "MODO" dos veces y la pantalla despliega el indicador de repetir todas las pistas. Todas las pistas del disco se reproducen continuamente hasta presionar "DETENER"

REPETIR UN ALBUM

Para repetir la reproducción de un álbum, presionar "MODO" tres veces y la pantalla despliega el indicador de repetir álbum. Entonces seleccionar el álbum deseado presionando "ANTERIOR/BUSCAR" o "SIGUIENTE/BUSCAR". Las pistas del álbum seleccionado se reproducen continuamente hasta presionar "DETENER".

REPRODUCCION ALEATORIA (AL AZAR)

Esta función reproduce todas las pistas del disco de manera aleatoria (al azar) definida por el reproductor. Presionar el botón de "MODO" cuatro veces para entrar a la función y la pantalla despliega "RAN". Presionar el botón de "REPRODUCIR/PAUSAR" para iniciar la reproducción aleatoria. Las pistas del disco son seleccionadas y reproducidas al azar por el reproductor, la reproducción se detiene automáticamente cuando todas las pistas son reproducidas. Presionar "Modo" una vez mas para salir del modo de reproducción aleatoria.

INTRODUCCION DE LA REPRODUCCION

Esta función reproduce los primeros 10 segundos de cada una de las pistas del disco en orden secuencial. Presionar "MODO" cinco veces para entrar a este modo durante la reproducción y la pantalla despliega "INTRO". Presionar el botón de "REPRODUCIR/PAUSAR" para iniciar la introducción a partir de la primera pista. En el modo de introducción, presionar "ANTERIOR/BUSCAR" o "SIGUIENTE/BUSCAR" para saltar a la introducción de la pista anterior o siguiente. Presionar "DETENER" para salir del modo de introducción o presionar "REPRODUCIR/PAUSAR" para salir de la introducción y volver a la reproducción normal a partir de la pista actual.

PROGRAMAR REPRODUCCION

Esta función permite programar las pistas para ser reproducidas en un orden deseado.

En el modo detenido de MP3, presionar "ECUALIZADOR/PROGRAMA" una vez y la pantalla despliega "PROG" con el número de álbum destellando y la indicación de secuencia de programa "P-01".

Presionar "ANTERIOR/BUSCAR" o "SIGUIENTE/BUSCAR" o "ALBUM/+10" para seleccionar el álbum deseado. Presionar "ECUALIZADOR/PROGRAMA" nuevamente para almacenar el álbum en memoria y el número de la pista empieza a destellar esperando la selección.

Presionar "ANTERIOR/BUSCAR" o "SIGUIENTE/BUSCAR" o "ALBUM/+10" para seleccionar la pista deseada. Presionar "ECUALIZADOR/PROGRAMA" nuevamente para almacenar la pista en memoria y pasar al siguiente paso de programación.

El indicador de secuencia de programa cambia a "P-02" esperando ingresar la siguiente pista a programar.

Repetir los pasos 2 y 3 para programar las demás pistas. Hasta un máximo de 99 pista pueden ser programadas en el orden deseado en memoria. Presionar "REPRODUCIR/PAUSAR" para iniciar la reproducción de la primera pista programada. La reproducción se detiene automáticamente cuando todas las pistas se reproducen. Presionar "DETENER" para detener la reproducción del programa. En el modo de programa detenido, presionar "REPRODUCIR/PAUSAR" para volver a la reproducción del programa en el orden definido.

OPERACIÓN DE UNA MEMORIA EXTERNA (USB/MMC/SD)

Preparando el reproductor para la operación de una memoria externa. Insertar una tarjeta USB en el puerto USB o insertar una tarjeta MMC/SD en la ranura para tarjeta; colocar el selector de función en la posición de "USB/AUX" e inicia automáticamente la reproducción de la primera pista de la memoria externa USB o SD/MMC.

NOTA: Presionar "TARJETA/USB" para seleccionar entre memoria USB o tarjeta de memoria SD/MMC.

VARIOS MODOS DE REPRODUCCION

SALTAR PISTAS Y BUSCAR UN PUNTO ESPECÍFICO EN LA REPRODUCCION

1. Presionar una vez "SIGUIENTE/BUSCAR" durante la reproducción para saltar a la pista siguiente. Presionar varias veces para saltar a una pista específica.
2. Presionar una vez "ANTERIOR/BUSCAR" durante la reproducción para saltar al inicio de la pista anterior. Presionar varias veces para saltar a una pista específica.
3. Presionar y sostener "ALBUM/10+" durante la reproducción, el número del álbum empieza a destellar; seleccionar el álbum deseado presionando "ANTERIOR/BUSCAR" o "SIGUIENTE/BUSCAR"; confirmar el álbum seleccionado presionando y sosteniendo "ALBUM/10+", el número de la pistas empieza a destellar para ingresar el numero de la pista deseada del álbum seleccionada presionando "ANTERIOR/BUSCAR" o "SIGUIENTE/BUSCAR". Finalmente presionar "REPRODUCIR/PAUSAR" para empezar la reproducción de la pista seleccionada
4. Presionar y sostener "SIGUIENTE/BUSCAR" durante la reproducción para buscar hacia delante un punto específico de la pista a alta velocidad. Cuando el punto deseado es localizado, liberar el botón para volver a la reproducción normal.
5. Presionar y sostener "ANTERIOR/BUSCAR" durante la reproducción para buscar hacia atrás un punto específico de la pista a alta velocidad. Cuando el punto deseado es localizado, liberar el botón para volver a la reproducción normal.

MODOS DE REPETICION

Presionar "MODO" una vez en el modo de reproducción para repetir la pista actual y la pantalla despliega el indicador de repetir una pista.

Presionar "MODO" dos veces para repetir continuamente todas las pistas en la memoria USB o tarjeta SD/MMC y la pantalla despliega el indicador de repetir todas las pistas.

Presionar "MODO" tres veces para repetir las pistas en el álbum actual y la pantalla despliega el indicador de repetir álbum.

REPRODUCCION ALEATORIA (AL AZAR)

Presionar "MODO" cuatro veces para entrar al modo de reproducción aleatoria y la pantalla despliega el indicador de reproducción aleatoria. Presionar "REPRODUCIR/PAUSAR" para iniciar la reproducción aleatoria.

Las pistas de la memoria USB o tarjeta SD/MMC son seleccionadas y reproducidas al azar por el reproductor, la reproducción se detiene automáticamente cuando todas las pistas son reproducidas. Presionar "MODO" una vez mas para salir del modo de reproducción aleatoria y volver a la reproducción normal a partir de la pista actual en reproducción.

INTRODUCCION DE LA REPRODUCCION

Esta función reproduce los primeros 10 segundos de cada una de las pistas de la memoria USB o tarjeta SD/MMC en orden secuencial. Presionar "MODO" cinco veces para entrar a este modo durante la reproducción y la pantalla despliega el indicador de introducción. Presionar "REPRODUCIR/PAUSAR" para iniciar la introducción a partir de la primera pista. Presionar "REPRODUCIR/PAUSAR" para salir de la introducción y volver a la reproducción normal a partir de la pista actual.

PROGRAMAR REPRODUCCION

En los modos de memoria USB o tarjeta SD/MMC, también existe la función de programar reproducción. Un máximo de 99 pistas pueden ser programadas en el orden deseado en memoria

PROGRAMAR REPRODUCCION DE UNA MEMORIA USB

En el modo detenido de MP3, presionar "ECUALIZADOR/PROGRAMA" una vez y la pantalla despliega "PROG USB" con el número de álbum destellando y la indicación de secuencia de programa "P-01".

Presionar "ANTERIOR/BUSCAR" o "SIGUIENTE/BUSCAR" o "ALBUM/+10" para seleccionar el álbum deseado. Presionar "ECUALIZADOR/PROGRAMA" nuevamente para almacenar el álbum en memoria y el número de la pista empieza a destellar esperando la selección.

Presionar "ANTERIOR/BUSCAR" o "SIGUIENTE/BUSCAR" o "ALBUM/+10" para seleccionar la pista deseada. Presionar "ECUALIZADOR/PROGRAMA" nuevamente para almacenar la pista en memoria y pasar al siguiente paso de programación. El indicador de secuencia de programa cambia a "P-02" esperando ingresar la siguiente pista a programar

Repetir los pasos 2 y 3 para programar las demás pistas. Hasta un máximo de 99 pista pueden ser programadas en el orden deseado en memoria. Presionar "REPRODUCIR/PAUSAR" para iniciar la reproducción de la primera pista programada. La reproducción se detiene automáticamente cuando todas las pistas se reproducen.

Presionar "DETENER" para detener la reproducción del programa. En el modo de programa detenido, presionar "REPRODUCIR/PAUSAR" para volver a la reproducción del programa en el orden definido.

NOTA: El modo de programación para una tarjeta SD/MMC es similar al de la memoria USB.

ENTRADA AUXILIAR

El reproductor puede ser usado a través del conector de entrada auxiliar como un amplificador de poder para la reproducción de un dispositivo de audio externo como puede ser un reproductor de Mp3, Mp4, CD, Radio, TV o cualquier otro dispositivo diseñado con un conector de salida de audio.

Seguir los siguientes pasos para conectar el reproductor y el dispositivo de audio externo:

1. Encender el reproductor usando la fuente de alimentación de Vca.
2. Colocar el selector de función en la posición de USB3/AUX.
3. Conectar la salida de audio del dispositivo externo al conector de entrada de audio del reproductor a través de un cable de línea.
4. Encender el dispositivo de audio externo e iniciar la reproducción del mismo.

Ahora puede disfrutar en el reproductor la salida de audio del dispositivo externo a un mejor volumen.

NOTAS IMPORATNES

Este reproductor esta sujeto a cambios en el circuito electrónico o de diseño sin previo aviso siguiendo las políticas de constante desarrollo y mejoras del producto. Pedimos una disculpa por los inconvenientes que esto pueda causar al usuario.

IMPORTANTE

Nota: Aunque este reproductor de CD puede leer CD-R, CD-RW y discos de MP3 - además de CD normales - la capacidad de reproducción de CD-R, CD-RW y discos de MP3 puede verse afectada por el tipo de software que fue utilizado para crear los discos, así como la calidad y estado de los medios en blanco que usted utiliza. No se puede garantizar el 100% de capacidad de reproducción. Esto no es una indicación de un problema del reproductor.

IMPORTANTE

El puerto USB de este producto es completamente compatible con el estándar USB 1.1 y 2.0 . Si los reproductores de MP3 conectados a este puerto no están escritos según estándar oficial de USB 1.1 o 2.0 puede ocurrir que esos reproductores de MP3 no funcionen en este puerto. Esto no es un defecto de este producto. El reproductor de MP3 no cumple el estándar oficial USB 1.1 o 2.0 .

ADVERTENCIA

1. No coloque encima del aparato objetos que emitan llamas (por ej.: velas encendidas).
2. No coloque el aparato en librerías o estanterías cerradas sin una ventilación adecuada.
3. Si se utiliza el enchufe de corriente como dispositivo de desconexión, este dispositivo debe estar siempre listo para usarse.
4. Para garantizar una ventilación adecuada, deje libre una distancia mínima alrededor del aparato. No cubra las aberturas de ventilación con objetos como periódicos, manteles, cortinas, etc.
5. No esponga el aparato a gotas ni salpicaduras ni coloque encima objetos que contengan líquidos (por Ej.: vasos).
6. No conecte la antena FM a la antena externa.
7. No esponga el aparato a la luz solar directa, a temperaturas altas o bajas, humedades, vibraciones o entornos con polvo.
8. No utilice materiales abrasivos para limpiar la superficie de la unidad. Para ello, utilice una solución de detergente suave no abrasiva y un trapo suave y limpio.
9. No trate nunca de insertar cables, alfileres u otros objetos similares en las rendijas o las aberturas del aparato.

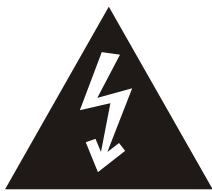

No deseche el dispositivo en la basura normal de casa. Este producto debe desecharse de acuerdo con la directiva de la UE 2002/96/EC-WEEE (Residuos de Aparatos Eléctricos y Electrónicos). Deje el dispositivo en un punto de recogida. Respete las normativas aplicables. Contacte con el organismo correspondiente de su municipio en caso de duda.



PRECAUCIÓN

- Existe peligro de explosión si la batería se sustituye de manera incorrecta.
- Sustitúyala únicamente con una batería igual o de tipo equivalente.
- Las pilas no deben quedar expuestas a un calor excesivo como luz solar directa, fuego o similares.
- Cuando deseche la batería, preste atención a los aspectos medioambientales.

INFORMAÇÃO DE SEGURANÇA

	ATENÇÃO RISCO DE CHOQUE ELÉCTRICO NÃO ABRIR	
<p>ATENÇÃO: PARA REDUZIR O RISCO DE CHOQUE ELÉCTRICO, NÃO REMOVA A TAMPA (OU PARTE DE TRÁS). NÃO POSSUI PEÇAS UTILIZÁVEIS. ENTREGUE O ARTIGO PARA REPARAÇÃO JUNTO DE UM TÉCNICO QUALIFICADO.</p>		



O símbolo com o relâmpago dentro de um triângulo serve para o alertar para a presença de perigos de voltagem não isolados em redor do aparelho que poderá ter magnitude suficiente para constituir risco de choque eléctrico para as pessoas.



O ponto de exclamação dentro de um triângulo serve para o alertar da presença de instruções importantes de funcionamento e manutenção na documentação que acompanha este aparelho.



PERIGO

Existe radiação laser invisível quando a abertura de um trinco falhou ou avariou. Evite a exposição directa ao feixe

AVISO

Para evitar perigo de incêndio ou choque eléctrico, não exponha este aparelho à chuva ou a líquidos. Para evitar choque eléctrico, não abra a caixa, envie apenas para ser reparado por um técnico qualificado

ATENÇÃO

A utilização de controlos, regulação ou desempenho dos procedimentos além dos especificados pode resultar na exposição a radiações perigosas.

CUIDADOS

Leia estas precauções antes de utilizar este aparelho.

Protecção do Cabo Eléctrico

Para evitar o mau funcionamento do aparelho e proteger contra o choque eléctrico, incêndio ou ferimentos pessoais, tenha em atenção o seguinte.

- Segure a ficha com firmeza quando liga ou desliga o cabo de alimentação AC.
- Não ligue ou desligue o cabo de alimentação AC com as mãos molhadas.
- Mantenha o cabo de alimentação AC afastado de aparelhos de aquecimento.
- Nunca coloque objectos pesados em cima do cabo de alimentação AC.
- Não tente reparar ou reconstruir, de modo algum, o cabo de alimentação AC.
- Remova com regularidade poeira, lixo, etc. da ficha.

Colocação

Evite colocar o leitor em zonas de:

- sol directo ou radiadores de aquecimento ou automóveis fechados
- elevada temperatura (superior a 35°C) ou elevada humidade (superior a 90%)
- poeira excessiva
- vibrações, impactos ou superfícies instáveis, como as peças internas que podem danificar-se.

Períodos sem utilização

Quando deixar sem utilizar durante um longo período de tempo, o leitor deve ser desligado da corrente eléctrica AC.

Não insira os dedos nem outros objectos no interior

- Tocar nas peças internas deste aparelho é perigoso e pode provocar graves danos ao aparelho. Não tente desmontar o aparelho.
- Não coloque nenhum objecto estranho no compartimento do disco.

Mantenha afastado da água e de objectos magnéticos

- Mantenha o leitor afastado de jarras, banheiras, pias, etc. Se forem derramados líquidos no aparelho, podem ocorrer danos graves.
- Mantenha os objectos magnéticos, como colunas, distantes do aparelho.

Empilhar

- Coloque o aparelho na horizontal e não coloque nada pesado em cima do aparelho.
- Não coloque o leitor em cima de amplificadores ou outro equipamento que possa aquecer.

Condensação

Pode formar-se condensação de humidade na lente nas seguintes condições:

- Imediatamente após ligar um aquecedor.
- Numa divisão com muito vapor ou muita humidade.
- Quando o aparelho é movido de um lugar frio para um lugar quente.

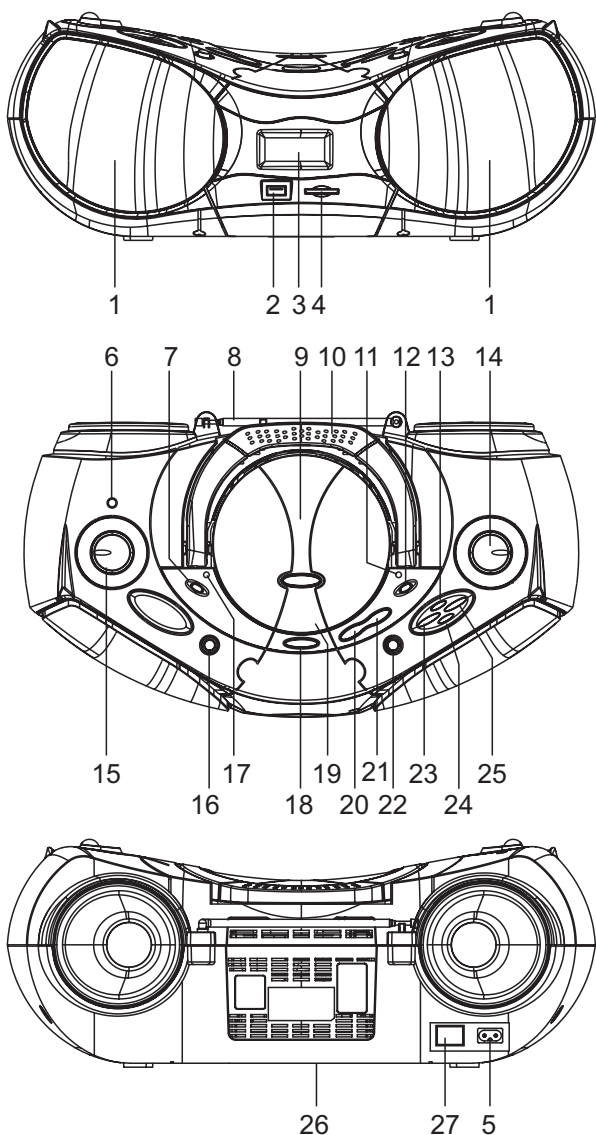
Se houver formação de humidade no interior do aparelho, este pode não funcionar correctamente. Neste caso, desligue da corrente e espere cerca de uma hora para que a humidade evapore.

Cuidado:

- Para evitar o choque eléctrico, este aparelho não deve ser exposto a quedas de água nem salpicos de água.
- Deve manter distâncias mínimas em redor do aparelho para uma ventilação suficiente.
- A ventilação não deve ser impedida ao cobrir as aberturas de ventilação com itens, tais como jornais, toalhas, cortinas, etc.
- Não coloque perto ou no aparelho fontes de chama, tais como velas acesas.
- Utilize o aparelho num clima tropical e/ou moderado.
- Antes de eliminar o aparelho, remova as pilhas e coloque-as no local de recolha adequado para pilhas.

LEITOR PORTÁTIL DE CD/MP3 RÁDIO ESTÉREO COM LEITOR DE CARTÕES USB&SD/MMC

Leia e siga estas instruções antes de utilizar o seu aparelho.



LOCALIZAÇÃO DOS CONTROLOS

1. COLUNAS
2. PORTA USB
3. VISOR LCD
4. ENTRADA CARTÕES SD/MMC
5. ENTRADA AC
6. ENTRADA AUX IN
7. INTERRUPTOR DE FUNÇÃO
8. ANTENA TELESCÓPICA FM
9. TAMPA DOS CD
10. PEGA
11. INDICADOR ESTADO FM
12. INTERRUPTOR DE BANDA
13. BOTÃO DE MODO
14. CONTROLO DE SINTONIZAÇÃO
15. CONTROLO DO VOLUME
16. BOTÃO USB/CARTÃO
17. INDICADOR ENERGIA
18. BOTÃO ABERTURA PORTA DOS CD
19. ÁREA PARA FECHAR A PORTA DOS CD
20. BOTÃO DE PARAR
21. BOTÃO DE REPRODUZIR/PAUSAR
22. BOTÃO +10/ÁLBUM
23. BOTÃO AVANÇAR/PROCURAR PARA TRÁS
24. BOTÃO EQ/PROGRAMA
25. BOTÃO AVANÇAR/PROCURAR PARA A FRENTE
26. COMPARTIMENTO DAS PILHAS
27. INTERRUPTOR PRINCIPAL (OPCIONAL)

ABASTECIMENTO DE ENERGIA

□ FUNCIONAMENTO A PILHAS

1. Remova cuidadosamente a tampa do compartimento das pilhas.
2. Instale 8 x pilhas de tamanho 'C' (UM-2 ou equivalentes) com o cuidado de observar as polaridades correctas.
3. Volte a colocar no sítio respectivo a tampa do compartimento das pilhas.

NOTA:

- O cabo de alimentação deve ser removido para funcionar com o aparelho a pilhas.
- Para evitar danos que possam resultar de fugas de pilhas, remova-as quando estiverem fracas ou quando o aparelho não for ser utilizado durante um longo período de tempo.

❑ **FUNCIONAMENTO A AC**

Introduza uma das extremidades do cabo de alimentação AC na entrada situada na retaguarda do leitor e a outra na tomada de parede.

REPRODUZIR O RÁDIO

1. Deslize o interruptor de FUNÇÃO para a posição de RÁDIO, o indicador de ENERGIA irá acender-se.
2. Seleccione a banda pretendida com o interruptor de BANDA.
3. Sintonize a estação pretendida rodando o controlo de SINTONIZAÇÃO. (Mova o controlo de um lado para o outro até obter o som mais forte e nítido).
4. A antena integrada de AM (MW) e a ANTENA TELESCÓPICA DE FM são direccionais.
 - Quando receber uma emissão FM, estique completamente a ANTENA TELESCÓPICA e posicione-a para a melhor recepção.
 - Para emissões AM (MW), rode todo o aparelho até ser ouvida a melhor recepção.
5. Ajuste o nível do volume para um nível de audição confortável.
6. Para desligar o rádio, deslize o interruptor de FUNÇÃO para posição de DESLIGADO.

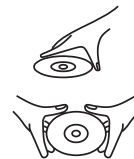
NOTAS:

- Se uma estação FM (ESTÉREO) em particular estiver fraca ou se ouvir muito ruído de fundo, tente mover a posição do selector de banda para a posição FM (MONO). É frequente que isto resulte numa recepção bastante mais nítida.
- Quando o selector de banda estiver definido para FM ESTÉREO e estiver a ser recebida uma recepção estéreo, o indicador de FM ESTÉREO acender-se-á.

LIDAR E MANTER UM DISCO COMPACTO.

Siga as instruções abaixo para lidar e manter os seus discos para que consiga obter deles um desempenho de longa duração e sem problemas:

- Certifique-se de que não toca no lado colorido do disco; segure no mesmo pelos bordos.
- Exposição de longa duração a raios solares, altas temperaturas e humidade irão danificar o disco. Mantenha a área de armazenamento limpa.
- Evite colar etiquetas de ambos os lados do disco. Escrever no disco com algo afiado deve ser estritamente evitado.
- Limpe o disco a partir do centro até aos bordos com um pano seco e suave ou uma escova para discos. Evite líquidos de limpeza ou químicos.
- Guarde os discos nas respectivas caixas quando não estiverem a ser utilizados.



SEGURE NO DISCO APENAS COMO APRESENTADO



LIMPE DO CENTRO PARA O BORDO



NÃO GUARDE PERTO DE CALOR

COLOCAR UM DISCO

1. Deslize o interruptor de FUNÇÃO para a posição de CD/MP3.
NOTA: Se deslizar o interruptor de FUNÇÃO para a posição de CD/MP3, certifique-se de que quaisquer outros dispositivos externos são desligados.
2. Abra a porta dos CD.
3. Introduza um disco com o lado da etiqueta voltado para cima (se o disco estiver de pernas para o ar, o visor apresentará "SEM DISCO" ("NO DISC")).

4. Feche a porta dos CD com a mão.

NOTA: Nunca toque na lente de laser no interior do compartimento dos CD. Se estiver suja, limpe-a com um disco de limpeza de CD.

REMOVER UM DISCO

1. Certifique-se de que o disco de CD/MP3 não está em reprodução. Se estiver, prima o botão de PARAR CD.
2. Abra a porta dos CD.
3. Remova cuidadosamente o disco.
4. Feche a porta dos CD com a mão.
5. Volte a colocar o disco na respectiva caixa de armazenamento.

REPRODUZIR UM CD

1. Certifique-se de que a energia está ligada, deslize o interruptor de FUNÇÃO para a posição de CD/MP3, o indicador de ENERGIA irá acender-se.
2. Coloque um disco no compartimento dos CD. Feche a porta dos CD, o disco irá começar a rodar.
3. Ajuste o VOLUME para o nível pretendido.
4. Para parar temporariamente a reprodução, prima o botão de REPRODUZIR/PAUSAR.
 - O tempo decorrido da faixa actual pisca e aparece um ícone de "PAUSA" no fundo do LCD para indicar que o leitor está em modo de pausa.
 - Retome a reprodução premindo novamente o botão de REPRODUZIR/PAUSAR.
5. Para parar a reprodução, prima o botão de PARAR. Aparecerão no visor o número total de faixas e o tempo total de reprodução com um ícone de "PARAR" no fundo do visor.
6. Para desligar o leitor, deslize o interruptor de FUNÇÃO para a posição de DESLIGADO.

SELECÇÃO DE EQ

Prima o botão EQ/Programa continuamente durante o modo de reprodução de um disco para seleccionar efeitos de som do EQ, entre NORMAL, POP, ROCK, CLÁSSICA, JAZZ e BASS.

AVANÇAR FAIXAS E PROCURAR UM PONTO ESPECÍFICO PARA REPRODUZIR

1. Prima uma vez o botão de AVANÇAR/PROCURAR para a frente durante a reprodução de música para avançar para a faixa seguinte. Para avançar para uma faixa específica mais para a frente, prima este botão várias vezes.
2. Prima uma vez o botão de AVANÇAR/PROCURAR para trás durante a reprodução de música para avançar para a faixa anterior. Para avançar para uma faixa específica para trás, prima este botão várias vezes.
3. Prima uma vez o botão +10/ÁLBUM durante a reprodução para avançar para a faixa 10 faixas à frente da actual. Se premir duas vezes avançará para a faixa 20 faixas à frente da actual. É possível avançar até à última faixa do disco utilizando este botão.
4. Segure o botão de AVANÇAR/PROCURAR para a frente durante a reprodução de música para procurar para a frente em modo rápido um ponto específico para reproduzir.
5. Segure o botão de AVANÇAR/PROCURAR para trás durante a reprodução de música para procurar para trás em modo rápido um ponto específico para reproduzir.

REPRODUÇÃO PROGRAMADA

A reprodução programada permite editar as faixas do disco para serem reproduzidas mediante uma ordem pretendida utilizando o botão de PROGRAMA.

No modo de paragem do CD, prima uma vez o botão de EQ/PROGRAMA, aparece "PROG" no LCD com um número de faixa a piscar e a sequência do programa com a indicação "P-01", seleccione a primeira faixa a ser programada utilizando os botões de AVANÇAR/PROCURAR e prima novamente o botão EQ/PROGRAMA para guardar e avançar para o próximo passo da programação. A indicação de sequência do programa muda para "P-02" aguardando pela próxima entrada.

Repita os passos acima para programar mais faixas. É possível programar em memória até um máximo de 20 faixas mediante uma ordem pretendida.

Prima o botão de REPRODUZIR/PAUSAR para iniciar a reprodução programada mediante a ordem pretendida após ter terminado a programação. O leitor pára automaticamente após todas as faixas programadas terem sido reproduzidas.

É possível premir o botão de PARAR para terminar a reprodução programada. No modo de paragem do programa, prima novamente o botão PARAR para apagar a programação; prima o botão REPRODUZIR/PAUSAR para iniciar a reprodução programada idêntica à anterior.

REPETIR UMA ÚNICA FAIXA

Para repetir uma faixa pretendida durante a reprodução, prima uma vez o botão MODO, o LCD apresentará o ícone para a repetição de uma única faixa. Em seguida, seleccione a faixa pretendida utilizando os botões de AVANÇAR/PROCURAR ou +10/ÁLBUM. O leitor irá repetir a faixa seleccionada até premir o botão de PARAR.

REPETIR TODAS AS FAIXAS

Para repetir todas as faixas, prima duas vezes o botão de MODO no modo de reprodução, o LCD apresentará o ícone para repetição de todas as faixas. O leitor irá repetir todas as faixas até premir o botão de PARAR.

REPRODUÇÃO ALEATÓRIA

A reprodução aleatória faz com que o leitor reproduza as faixas do disco de forma aleatória. Prima três vezes o botão de MODO para entrar neste modo durante a reprodução, aparecerá "ALE" ("RAN") no LCD. Prima os botões de REPRODUZIR/PAUSAR ou AVANÇAR para iniciar a reprodução em modo aleatório. As faixas do disco serão seleccionadas de forma aleatória para reprodução e o leitor pára automaticamente após todas as faixas terem sido reproduzidas. Prima uma vez mais o botão de MODO para sair do modo aleatório.

REPRODUÇÃO DE INTRODUÇÃO

A reprodução de introdução faz com que os primeiros dez segundos de cada faixa sejam reproduzidos de forma sequencial. Prima quatro vezes o botão de MODO para entrar neste modo durante a reprodução, aparecerá "INTRO" no LCD. Prima o botão de REPRODUZIR/PAUSAR para iniciar a reprodução de introdução a partir da faixa N.º 1. Prima o botão de AVANÇAR para a frente para iniciar a reprodução de INTRO a partir da faixa imediatamente a seguir à faixa actual e AVANÇAR para trás para iniciar a reprodução de INTRO a partir da faixa anterior. Prima o botão de PARAR durante a reprodução de Intro para sair do modo de reprodução de introdução e prima o botão Reproduzir/pausar para retomar a reprodução normal da música.

REPRODUÇÃO DE CD-MP3 (WMA)

Este leitor pode ler CD-MP3. Este leitor demora mais tempo a ler um CD-MP3 do que um CD-DA. Aguarde pacientemente enquanto decorrer a leitura.

Após um CD-MP3 ser lido com sucesso, aparecem no LCD o número total de álbuns e faixas. Um segundo depois, a reprodução inicia a partir da primeira faixa do primeiro álbum com o ícone de Mp3.

LOCALIZAR UMA FAIXA OU ÁLBUM E PROCURAR UM PONTO ESPECÍFICO PARA REPRODUZIR

1. Prima uma vez o botão AVANÇAR/PROCURAR para a frente durante a reprodução de música para avançar para a música seguinte. Para avançar para uma faixa específica mais para a frente, prima este botão várias vezes.
2. Prima uma vez o botão AVANÇAR/PROCURAR para trás durante a reprodução de música para avançar para a faixa anterior. Para avançar para uma faixa específica para trás, prima este botão várias vezes.
3. Prima uma vez o botão de +10/ÁLBUM durante a reprodução para avançar para a faixa 10 faixas para a frente, duas vezes para avançar para a faixa 20 faixas para a frente. É possível atingir a última faixa do álbum actual utilizando este botão.
4. Segure o botão de AVANÇAR/PROCURAR para a frente durante a reprodução de música para procurar para a frente em velocidade rápida até um ponto específico para reproduzir.
5. Segure o botão de AVANÇAR/PROCURAR para trás durante a reprodução de música para procurar para trás em velocidade rápida até um ponto específico para reproduzir.
6. Segure o botão de +10/ÁLBUM, o número do álbum irá piscar; prima o botão de Avançar/procurar para seleccionar o álbum pretendido, prima e segure o botão ÁLBUM novamente durante 2 segundos para confirmar a selecção deste álbum, o número da faixa pisca durante a introdução; seleccione a faixa pretendida do álbum seleccionado utilizando os botões de AVANÇAR/PROCURAR. Finalmente, prima o botão REPRODUZIR/PAUSAR novamente para iniciar a reprodução desta faixa seleccionada.

REPETIR UMA ÚNICA FAIXA (MP3/USB/SD/MMC)

Para repetir uma faixa preferida em reprodução, prima o botão de MODO uma vez, o LCD apresenta o ícone de repetição de uma única faixa. Em seguida, seleccione a faixa preferida utilizando os botões de AVANÇAR/PROCURAR. O leitor irá repetir a faixa seleccionada até premir o botão de PARAR.

REPETIR TODAS AS FAIXAS (MP3/USB/SD/MMC)

Para repetir todas as faixas, prima duas vezes o botão de MODO no modo de reprodução, o LCD apresenta o ícone de repetição de todas as faixas. O leitor irá repetir todas as faixas até premir o botão de PARAR.

REPETIR UM ÁLBUM (MP3/USB/SD/MMC)

Para repetir um álbum preferido em reprodução, prima três vezes o botão de MODO, o LCD apresenta o ícone de repetição de álbum. Em seguida, seleccione a faixa preferida utilizando os botões de +10/ÁLBUM e AVANÇAR em conjunto. O leitor irá repetir o álbum seleccionado até premir o botão de PARAR.

REPRODUÇÃO ALEATÓRIA (MP3/USB/SD/MMC)

A reprodução aleatória faz com que o leitor reproduza as faixas do disco de forma aleatória. Prima quatro vezes o botão de MODO para entrar neste modo durante a reprodução, aparecerá "ALE" ("RAN") no LCD. Prima os botões de Reproduzir/pausar ou AVANÇAR para iniciar a reprodução em modo aleatório. As faixas do disco serão seleccionadas de forma aleatória para reprodução e o leitor pára automaticamente após todas as faixas terem sido reproduzidas. Prima uma vez mais o botão de MODO para sair do modo aleatório e regressar à reprodução normal a partir da faixa onde se encontra.

REPRODUÇÃO DE INTRODUÇÃO (MP3/USB/SD/MMC)

A reprodução de introdução faz com que os primeiros dez segundos de cada faixa sejam reproduzidos de forma sequencial. Prima cinco vezes o botão de MODO para entrar neste modo durante a reprodução, aparecerá "INTRO" no LCD. Prima o botão de REPRODUZIR/PAUSAR para iniciar a reprodução de introdução a partir da faixa N.º 1. Prima o botão de AVANÇAR para a frente para iniciar a reprodução de INTRO a partir da faixa imediatamente a seguir à faixa actual e AVANÇAR para trás para iniciar a reprodução de INTRO a partir da faixa anterior. Prima o botão de Reproduzir/pausar novamente durante a reprodução de Intro para sair do modo de reprodução de introdução e retomar a reprodução normal da música.

REPRODUÇÃO PROGRAMADA (MP3/USB/SD/MMC)

A reprodução programada permite editar as faixas do disco para serem reproduzidas mediante uma ordem pretendida utilizando o botão de PROGRAMA.

No modo de paragem de MP3, prima uma vez o botão de EQ/PROGRAMA, aparece "PROG" no LCD com um número de álbum a piscar e a sequência do programa com a indicação "P-01", seleccione o número do álbum a ser programado utilizando os botões de AVANÇAR/PROCURAR ou +10/ÁLBUM e prima novamente o botão PROGRAMA para guardar; o número da faixa pisca aguardando a sua selecção. Seleccione a faixa pretendida com os botões de AVANÇAR/PROCURAR ou +10/ÁLBUM. Prima novamente o botão de PROGRAMA para confirmar a primeira programação e avançar para o próximo passo da programação. A indicação de sequência do programa muda para "P-02" aguardando pela próxima entrada.

Repita os passos acima para programar mais faixas. É possível programar em memória até um máximo de 99 faixas mediante uma ordem pretendida.

Prima o botão de REPRODUZIR/PAUSAR para iniciar a reprodução programada mediante a ordem pretendida após ter terminado a programação. O leitor pára automaticamente após todas as faixas programadas terem sido reproduzidas.

É possível premir o botão de PARAR para terminar a reprodução programada. No modo de paragem do programa, prima novamente o botão PARAR para apagar a programação; prima o botão REPRODUZIR/PAUSAR para iniciar a reprodução programada idêntica à anterior.

FUNCIONAMENTO COM SUPORTES DE MEMÓRIA EXTERNOS (USB/SD/MMC)

Prepare o leitor para o funcionamento com suportes de memória externos.

Introduza um dispositivo de dados USB na porta USB OU introduza um cartão SD/MMC na entrada de cartões; deslize o interruptor de FUNÇÃO para o modo de USB/AUX e a reprodução irá iniciar-se a partir da primeira faixa.

NOTA: É possível premir o botão de USB/CARTÃO para alternar entre os modos de USB e SD/MMC.

DIVERSOS MODOS DE REPRODUÇÃO

AVANÇAR FAIXAS E PROCURAR ENTRE FAIXAS

Prima uma vez o botão de AVANÇAR para a frente para avançar a faixa actual e reproduzir a faixa seguinte, prima este botão continuamente para avançar para as faixas correspondentes mais para a frente.

Prima uma vez o botão de AVANÇAR para trás para avançar para a faixa anterior, prima este botão continuamente para avançar para as faixas anteriores.

Prima e segure no botão de +10/ÁLBUM durante 2 segundos durante a reprodução, o número do álbum pisca; seleccione o álbum pretendido utilizando os botões de AVANÇAR/PROCURAR; Prima e segure novamente o botão de ÁLBUM durante 2 segundos para confirmar a selecção deste álbum, o número da faixa pisca para a sua entrada; seleccione a faixa pretendida utilizando os botões de AVANÇAR/PROCURAR.

Finalmente, prima novamente o botão de REPRODUZIR/PAUSAR para iniciar a reprodução desta faixa seleccionada. Segure o botão de AVANÇAR/PROCURAR para a frente durante a reprodução de música para procurar rapidamente para a frente por um ponto específico para reproduzir.

Segure o botão de AVANÇAR/PROCURAR para trás durante a reprodução de música para procurar rapidamente para trás por um ponto específico para reproduzir.

MODOS DE REPETIÇÃO

Prima uma vez o botão de MODO durante o modo de reprodução para repetir a faixa actual; o LCD apresenta o ícone para repetição de uma única faixa.

Prima o botão pela segunda vez para repetir faixas guardadas neste suporte de memória (USB/MMC) como um todo; o LCD apresenta o ícone para repetição de todas as faixas. Prima o botão pela terceira vez para repetir faixas no directório actual como um todo. O LCD apresenta o ícone para repetição do álbum.

REPRODUÇÃO ALEATÓRIA

Prima pela quarta vez o botão de MODO durante a reprodução para activar a reprodução aleatória; o leitor irá seleccionar faixas numa sequência aleatória para reprodução após REPRODUZIR/PAUSAR ter sido premido. É possível premir novamente este botão para sair do modo aleatório e regressar à reprodução normal.

REPRODUÇÃO INTROSCAN

Prima o botão de MODO pela quinta vez durante a reprodução para activar imediatamente o modo de introscan; o leitor irá seleccionar faixas para reprodução dos primeiros 10 segundos de cada faixa numa ordem sequencial após o botão REPRODUZIR/PAUSAR ter sido premido. É possível premir novamente o botão REPRODUZIR/PAUSAR para sair do modo de reprodução de introscan e regressar à reprodução normal a partir da faixa na qual se encontra.

REPRODUÇÃO PROGRAMADA

Nos modos de USB, cartões SD/MMC, também existe uma função de reprodução programada. Podem ser programadas um máximo de 99 faixas.

Utilizemos a reprodução programada de USB como um exemplo:

É possível editar os discos para serem reproduzidos mediante uma ordem pretendida utilizando o botão de PROGRAMA. No modo de paragem, prima uma vez o botão de PROGRAMA, aparece "PROG USB" no LCD com um número de álbum a piscar e a sequência do programa com a indicação "P-01"; seleccione o número do álbum a ser programado utilizando os botões de AVANÇAR/PROCURAR ou +10/ÁLBUM e prima novamente o botão PROGRAMA para guardar; o número da faixa pisca aguardando a sua selecção. Seleccione a faixa pretendida com os botões de AVANÇAR/PROCURAR ou +10/ÁLBUM. Prima novamente o botão de PROGRAMA para confirmar a primeira programação e avançar para o próximo passo da programação. A indicação de sequência do programa muda para "P-02" aguardando pela próxima entrada. Repita os passos acima para programar mais faixas. É possível programar em memória até um máximo de 99 faixas mediante uma ordem pretendida.

Prima o botão de REPRODUZIR/PAUSAR para iniciar a reprodução programada mediante a ordem pretendida após ter terminado a programação. O leitor pára automaticamente após todas as faixas programadas terem sido reproduzidas.

É possível premir o botão de PARAR para terminar a reprodução programada. No modo de paragem do programa, prima novamente o botão PARAR para apagar a programação; prima o botão REPRODUZIR/PAUSAR para iniciar a reprodução programada idêntica à anterior.

ENTRADA AUXILIAR

O seu leitor pode ser utilizado como amplificador para reproduzir programas a partir de um rádio portátil, aparelho de TV, leitor de MP3 ou outros, desde que este aparelho esteja concebido para produzir o sinal de áudio através de uma ficha de LINE-OUT ou semelhante. Observe os seguintes passos para ligar o leitor a outro aparelho:

1. Ligue o aparelho utilizando o cabo de alimentação fornecido.
2. Deslize o botão de FUNÇÃO para a posição de USB/AUX.
3. Ligue o aparelho à entrada AUX do leitor com o cabo de LINE-OUT do aparelho.
4. Ligue o aparelho e inicie a reprodução.

Neste momento deverá conseguir ouvir o som produzido pelos programas emitidos pelo aparelho ligado.

NOTAS IMPORTANTES:

Este leitor será sujeito a alterações em termos de electrónica e design, sem aviso prévio nem assumpção de quaisquer responsabilidades, dado que seguimos uma política de constante desenvolvimento e melhoria deste aparelho. Lamentamos se isto lhe causa ou causou algum inconveniente.

IMPORTANTE

Nota: Apesar deste leitor de CD poder ler discos CD-R, CD-RW e MP3 - além dos CDs normais - a capacidade de reprodução dos discos CD-R, CD-RW e MP3 pode ser afectada pelo tipo de software que foi utilizado para criar esses discos, assim como a qualidade e condição do meio de gravação que está a utilizar. Não podemos garantir a capacidade de reprodução a 100%. Isto não é uma indicação de um problema com o leitor.

IMPORTANTE

A porta USB deste aparelho é totalmente compatível com a norma USB 1.1 e 2.0. Se os leitores de MP3 ligados a esta porta não estiverem em conformidade com a norma oficial USB 1.1 ou 2.0, pode ocorrer esses aparelhos não funcionarem nesta porta. Não se trata de um defeito do aparelho. O leitor de MP3 não está em conformidade com a norma oficial USB 1.1 ou 2.0.

AVISO

1. Não devem ser colocadas sobre o aparelho fontes de chama aberta, como por exemplo, velas acesas.
2. Não coloque o produto estantes ou prateleiras fechadas sem uma ventilação correcta.
3. A tomada de alimentação é utilizada como aparelho para desligar, este deve permanecer em funcionamento prontamente.
4. A ventilação não deve ser impedida por objectos que cubram as aberturas de ventilação, como por exemplo, jornais, toalhas de mesa, cortinas, etc.
5. O aparelho não deve ser exposto a pingos ou salpicos e não deve ter colocado sobre ele nenhum objecto com líquidos, como por exemplo, vasos.
6. Não ligue a antena FM como antena exterior.
7. A unidade não deve ser exposta a luz solar directa, temperaturas muito altas ou baixas, humidade, vibrações ou colocada num ambiente onde se acumule pó.
8. Não utilize produtos abrasivos, benzina, diluente ou outros solventes para limpar a superfície da unidade. Para limpar, utilize uma solução de detergente suave e não abrasiva e um pano limpo e macio.
9. Nunca tente inserir fios, alfinetes ou outros objectos nas ventilações ou aberturas da unidade.

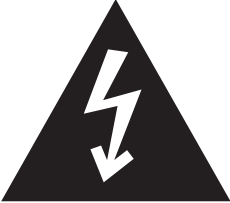

Não elimine o aparelho com o lixo doméstico. Este produto deve ser eliminado em conformidade com a Directiva da UE 2002/96/EC-REEE (Resíduos Eléctricos e Equipamento Electrónico). Deposite o aparelho num ponto de recolha. Cumpra com as regulamentações aplicáveis. Contacte a Câmara Municipal da sua área de residência, no caso de dúvida.



AVISO

- Perigo de explosão se a pilha for substituída incorrectamente.
- Substitua-a por uma equivalente ou do mesmo tipo.
- A pilha não deve ser exposta a fontes de calor excessivo, como por exemplo, luz solar, fogo, ou fontes de calor semelhantes.
- Deve tomar atenção aos aspectos sobre o ambiente quando deitar fora a pilha.

INFORMACJE NA TEMAT BEZPIECZEŃSTWA

	UWAGA ZAGROŻENIE PORAŻENIEM PRĄDEM ELEKTRYCZNYM NIE OTWIERAĆ OBUDOWY	
<p>UWAGA: CELEM ZMNIEJSZENIA ZAGROŻENIA PORAŻENIEM PRĄDEM ELEKTRYCZNYM NIE NALEŻY ZDEJMOWAĆ OBUDOWY (LUB TYLNEJ ŚCIANKI). WEWNĄTRZ URZĄDZENIA NIE MA ŻADNYCH CZĘŚCI, KTÓRYCH NAPRAWY MÓGŁBY DOKONAĆ UŻYTKOWNIK. NAPRAWY NALEŻY ZLECAĆ WYKWALIFIKOWANYM PRACOWNIKOM PUNKTÓW SERWISOWYCH.</p>		



Symbol pioruna ze strzałką na tle trójkąta równoramiennego oznacza obecność nieizolowanego „niebezpiecznego napięcia” wewnątrz obudowy urządzenia, którego wartość może stwarzać zagrożenie porażenia prądem elektrycznym.



Wykrzyknik na tle trójkąta równoramiennego oznacza, że w literaturze towarzyszącej urządzeniu znajdują się ważne instrukcje na temat obsługi i konserwacji (serwisowania) urządzenia.



ZAGROŻENIE

Po otwarciu obudowy lub pokonaniu zabezpieczeń użytkownik może być narażony na działanie niewidzialnego promieniowania laserowego. Nie narażać się na bezpośrednie działanie wiązki laserowej.

OSTRZEŻENIE

Aby nie dopuścić do pożaru lub wstrząsu, nie narażać urządzenia na działania deszczu lub wilgoci. Celem uniknięcia porażenia prądem elektrycznym nie należy otwierać obudowy urządzenia, a wszelkie naprawy zlecać wyłącznie wykwalifikowanym pracownikom punktów serwisowych.

UWAGA

Korzystanie z regulatorów, dokonywanie regulacji lub przeprowadzanie procedur innych, niż te opisane w niniejszej instrukcji, może prowadzić do narażenia użytkownika na niebezpieczne promieniowanie.

ŚRODKI OSTROŻNOŚCI

Przed rozpoczęciem użytkowania odtwarzacza prosimy zapoznać się z treścią niniejszych zaleceń na temat środków ostrożności.

Ochrona przewodu zasilającego

Aby nie dopuścić do wadliwego działania odtwarzacza, nie dopuścić do porażenia prądem elektrycznym, powstania pożaru i by nie dopuścić do obrażeń ciała, prosimy przestrzegać poniższych zaleceń:

- Wkładając lub wyjmując wtyczkę z gniazda elektrycznego należy ją mocno uchwycić w dłoni.
- Nie wkładać ani nie wyjmować wtyczki z gniazda elektrycznego wilgotnymi rękoma.

- Przewód zasilający nie powinien leżeć w pobliżu grzejników.
- Na przewodzie zasilającym nie kłaść żadnych ciężkich przedmiotów.
- Nie podejmować prób naprawy przewodu zasilającego w jakikolwiek sposób.
- Regularnie usuwać kurz i brud nagromadzony na wtyczce zasilającej.

Miejsce ustawienia odtwarzacza

Nie ustawiać odtwarzacza w miejscach:

- o dużym nasłonecznieniu, w pobliżu grzejników lub w zamkniętych pojazdach
- gdzie panuje wysoka temperatura (powyżej 35°C) lub duża wilgotność (powyżej 90%)
- o dużym zapyleniu
- gdzie odczuwalne są wibracje, gdzie urządzenie narażone byłoby na uderzenia lub na pochyłej powierzchni, gdyż elementy wewnętrzne urządzenia mogą ulec poważnym uszkodzeniom.

Okresy, gdy nie korzysta się z urządzenia

W dłuższych okresach, gdy nie korzystają Państwo z odtwarzacza, wtyczkę zasilającą należy wyjąć z gniazda zasilającego.

Nie wkładać do środka obudowy palców ani żadnych przedmiotów

- Dotykanie wewnętrznych elementów odtwarzacza jest niebezpieczne, a może też stanowić zagrożenie dla samego odtwarzacza. Nie podejmować prób rozbierania odtwarzacza.
- Na podajniku płyt nie kłaść żadnych przedmiotów.

Nie narażać na działanie wody ani namagnesowanych przedmiotów

- Nie ustawiać odtwarzacza w pobliżu waz z kwiatami, wanien, zlewozmywaków, itp. W przypadku dostania się płynów do wnętrza odtwarzacza może on ulec poważnym uszkodzeniom.
- Namagnesowane przedmioty, na przykład głośniki, należy ustawić w pewnej odległości od odtwarzacza.

Ustawianie urządzeń jedno na drugim

- Odtwarzacz należy ustawić w poziomie, nie kłaść na nim żadnych ciężkich przedmiotów.
- Nie ustawiać odtwarzacza na wzmacniaczach lub innych urządzeniach, które się nagrzewają.

Kondensacja pary

W następujących warunkach na obiektywie może gromadzić się para wodna:

- bezpośrednio po włączeniu grzejnika
- w zaparowanym lub bardzo wilgotnym pomieszczeniu
- po przeniesieniu odtwarzacza z zimnego pomieszczenia do ciepłego.

W przypadku wystąpienia kondensacji pary na wewnętrznych elementach odtwarzacza może on działać niepoprawnie. W takiej sytuacji należy wyłączyć zasilanie i poczekać około godziny, aż wilgoć odparuje.

Uwaga:

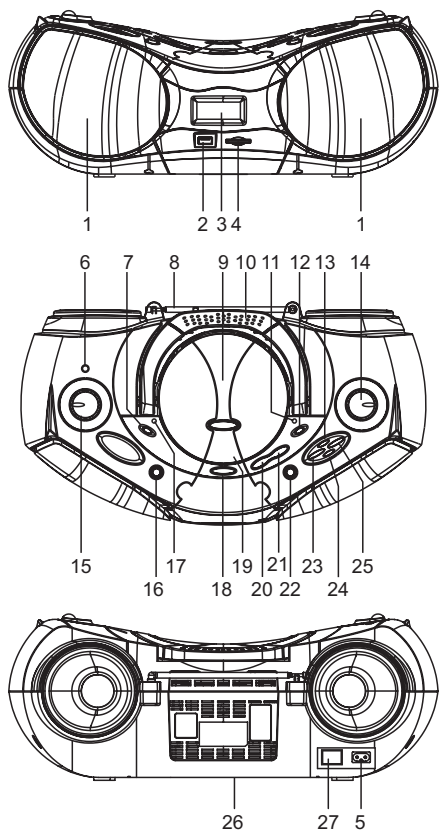
- Aby nie dopuścić do porażenia prądem elektrycznym, urządzenia nie wolno narażać na działanie kapiącej lub rozpryskiwanej wody.
- Wokół urządzenia należy pozostawić nieco miejsca i przez to zapewnić odpowiedni przepływ powietrza.
- Otworów wentylacyjnych nie zasłaniać gazetami, obrusami, zasłonami itp.
- Na urządzeniu nie stawiać żadnych źródeł otwartego ognia, na przykład zapalonych świec.
- Urządzenie przeznaczone jest do użytku w klimacie tropikalnym i/lub umiarkowanym.
- Przed złomowaniem urządzenia należy z niego wyjąć baterie i umieścić je w przeznaczonych na ten cel kontenerach zbiorczych.

PRZENOŚNY ODTWARZACZ PŁYT CD/MP3

RADIO STEREO Z CZYTNIKIEM USB & KART PAMIĘCI SD/MMC

Przed uruchomieniem urządzenia proszę przeczytać i postępować zgodnie z poniższą instrukcją

Umiejscowienie przycisków kontrolnych:



1. Głośniki
2. Port USB
3. Wyświetlacz LCD
4. Wejście kart SD/MMC
5. Gniazdo AC
6. Dodatkowe wejście Jack
7. Przełącznik FUNCTION
8. Antena teleskopowa FM
9. Drzwiczki otworu na płytę CD
10. Uchwyt
11. Wskaźnik statusu FM
12. Przełącznik BAND
13. Przycisk MODE
14. Przełącznik TUNING
15. Regulacja głośności
16. Przycisk USB/KARTA
17. Wskaźnik zasilania
18. Przycisk otwierania podajnika na płyty
19. Okolice zamykania podajnika na płyty (naciśnięcie powoduje zamknięcie)
20. Przycisk STOP
21. Przycisk PLAY/PAUSE
22. Przycisk 10+/ALBUM
23. Przycisk SKIP/SEARCH DOWN
24. Przycisk PROGRAM/EQ
25. Przycisk SKIP/SEARCH UP
26. Miejsce na baterię
27. Przełącznik zasilania

ZASILANIE

❑ Baterie

1. Delikatnie zdejmij pokrywkę schowka na baterie.
2. Zainstaluj 8 baterii typu „C” (UM-2 lub odpowiednik) zwracając uwagę na odpowiednie umieszczenie biegunów.
3. Ponownie przymocuj pokrywkę.

Uwaga:

- W przypadku operowania bateriami, przewód wejściowy AC musi być usunięty.
- Aby uniknąć uszkodzenia wynikającego z przeciekania baterii, usuń baterie, gdy się wyczerpią lub gdy urządzenie nie jest używane przez dłuższy czas.

❑ AC

Umieść jeden koniec przewodu AC w gniazdku usytuowanym z tyłu odtwarzacza, a drugi koniec w gniazdku ściennym.

ODTWARZANIE RADIA

1. Naciśnij przełącznik zasilania z tyłu urządzenia, aby je włączyć, wskaźnik POWER zaświeci się. Przesuń przełącznik FUNCTION, aby wejść do trybu radia.
2. Wybierz żądane pasmo za pomocą przełącznika BAND.
3. Dostrajaj do pożądanej stacji kręcąc kontrolką TUNING (przesuwaj przełącznik do przodu i do tyłu aż uzyskasz wyraźny, czysty dźwięk)
4. Wbudowana antena AM i zewnętrzna teleskopowa antena FM są kierunkowe.
 - Jeśli odbierasz program FM, całkowicie rozciągnij antenę teleskopową i ustaw tak, aby uzyskać najlepszy odbiór.
 - Dla programów AM, obracaj cały odbiornik aż usłyszysz najlepszy odbiór.
5. Wyreguluj poziom głośności.
6. Aby wyłączyć radio, naciśnij przełącznik zasilania.

Uwagi:

- Jeśli sygnał FM (Stereo) jest słaby, lub jeśli słyszysz za dużo dźwięków tła, spróbuj ustawić przełącznik pasma na pozycję FM(MONO), może to spowodować znacznie czystszy odbiór.
- Jeśli przełącznik pasma ustawiony jest na FM Stereo, a program stereo jest odbierany, wskaźnik FM STEREO będzie zapalony

KONSERWOWANIE I CZYSZCZENIE PŁYTY

Prześledź instrukcję, zanim zaczniesz użytkowanie:

- Trzymaj płytę za jej krawędzie.
- Długi czas działania słońca, wysokiej temperatury i wilgoć mogą uszkodzić płytę. Zachowaj miejsce przechowywania płyty w czystości.
- Unikaj przyklejania etykiet na obu stronach płyty. Nie należy pisać po płycie spiczastymi przyborami.
- Czyść płytę suchą, miękką szmatką lub szczoteczką do płyt, przesuwając od środka do krawędzi. Unikaj detergentów.
- Gdy nie używasz płyt, przechowuj je w opakowaniach.



ŁADOWANIE PŁYTY

1. Ustaw przełącznik FUNCTION na pozycję CD/MP3.
2. Otwórz schowek płyty.
3. Włóż płytę etykietą do góry (jeśli włożysz płytę odwrotnie, na wyświetlaczu pojawi się napis „NO DISC”).
4. Zamknij ręką schowek płyty.

Uwaga: Nigdy nie dotykaj soczewki lasera znajdującej się wewnątrz schowka na płytę.

WYJMOWANIE PŁYTY

1. Upewnij się, że płyta CD/MP3 nie jest odtwarzana. Jeśli jest, naciśnij przycisk CD STOP.
2. Otwórz schowek na płytę.
3. Delikatnie wyjmij płytę.
4. Zamknij ręką schowek płyty.
5. Umieść płytę w opakowaniu ochronnym.

ODTWARZANIE PŁYTY

1. Upewnij się, czy zasilanie jest podłączone, naciśnij przełącznik zasilania znajdujący się z tyłu urządzenia, aby włączyć urządzenie, zaświeci się wskaźnik zasilania. Przesuń przełącznik FUNCTION na pozycję CD/MP3.
2. Załaduj płytę
3. Wyreguluj głośność do pożądanego poziomu
4. Aby na chwilę zatrzymać odtwarzanie, naciśnij przycisk PLAY/PAUSE
 - Pozostały czas utworu będzie migał, a ikona PAUSE pojawi się na górze wyświetlacza, aby wskazać, że odtwarzacz jest w trybie wstrzymania.
 - Przywrócisz normalne odtwarzanie poprzez powtórne naciśnięcie przycisku PLAY/PAUSE
5. Aby zatrzymać odtwarzanie, naciśnij przycisk STOP. Na wyświetlaczu widoczna będzie całkowita liczba utworów, całkowity czas odtwarzania oraz ikona STOP
6. Aby wyłączyć odtwarzacz, naciśnij przełącznik zasilania.

WYBÓR EQ

Naciskaj ciągle przycisk EQ/Program w trakcie odtwarzania, aby wybrać efekty dźwięku EQ spośród: NORMAL, ROCK, POP, CLASSIC, JAZZ i BASS.

PRZESKAKIWANIE MIĘDZY UTWORAMI I SZUKANIE KONKRETNÝCH PUNKTÓW DO ODTWORZENIA

1. Naciśnij jeden raz przycisk SKIP/SEARCH up w trybie odtwarzania, żeby przeskoczyć o utwór do przodu. Jeśli chcesz wybrać któryś z następnych utworów naciskaj ten przycisk kilka razy.
2. Naciśnij jeden raz SKIP/SEARCH down, żeby przeskoczyć o utwór do tyłu. Jeśli chcesz wybrać któryś z poprzednich utworów, naciskaj ten przycisk kilka razy.
3. Naciśnij jednokrotnie przycisk +10/ALBUM, jeśli chcesz przeskoczyć o 10 utworów do przodu, naciśnij dwa razy jeśli o 20, itd. Możesz dojść do ostatniego utworu na płycie, wybierając ten przycisk.
4. Przytrzymaj przycisk SKIP/SEARCH up, aby szybko przewijać do przodu.

5. Przytrzymaj SKIP/SERACH down, aby szybko cofać.

ODTWARZANIE PROGRAMOWANE

Odtwarzanie programowane polega na tym, że utwory na płycie mogą zostać zaprogramowane do odtwarzania w preferowanej kolejności za pomocą przycisku PROGRAM. W trybie CD stop, naciśnij raz przycisk PROGRAM/EQ, na wyświetlaczu pokaże się napis „PROG” z migającym numerem utworu oraz wskaźnikiem sekwencji programowania „P-01”, wybierz pierwszy utwór, który chcesz zaprogramować używając przycisku SKIP/SEARCH oraz naciśnij przycisk PROGRAM/EQ raz jeszcze, aby zachować i przejść do następnego kroku programowania. Wskaźnik sekwencji programowania zmieni się na „P-02”. Powtarzaj powyższe kroki, aby zaprogramować więcej utworów. Maksymalnie 20 utworów może zostać zaprogramowanych w pamięci odtwarzacza w żądanej kolejności. Naciśnij przycisk PLAY/PAUSE, aby rozpocząć odtwarzanie po zakończeniu programowania. Odtwarzacz automatycznie się zatrzyma po odtworzeniu wszystkich zaprogramowanych utworów. Możesz nacisnąć przycisk STOP, aby zakończyć odtwarzanie zaprogramowanej listy. W trybie zatrzymania programowania, naciśnij przycisk STOP raz jeszcze, aby wyczyścić programowanie lub naciśnij PLAY/PAUSE, aby rozpocząć odtwarzanie programowane w kolejności identycznej jak poprzednio dokonana.

POWTARZANIE POJEDYNCZEGO UTWORU

Aby powtórzyć dany utwór, naciśnij jeden raz przycisk MODE, na wyświetlaczu pojawi się ikona pojedynczego powtarzania. Preferowany utwór wybierz za pomocą przycisku SKIP/SEARCH lub +10/ALBUM. Odtwarzacz będzie powtarzał utwór, dopóki nie naciśniesz STOP.

POWTARZANIE WSZYSTKICH UTWORÓW

Aby powtarzać wszystkie utwory, dwukrotnie naciśnij przycisk MODE w trybie odtwarzania. Na wyświetlaczu pojawi się ikona powtarzania wszystkich utworów. Odtwarzacz będzie powtarzał wszystkie utwory, dopóki nie naciśniesz STOP.

ODTWARZANIE LOSOWE

Polega na tym, że utwory z płyty odtwarzane są przez odtwarzacz w kolejności losowej. Naciśnij przycisk MODE trzykrotnie, aby wejść w ten tryb podczas odtwarzania, na wyświetlaczu pojawi się „RAN”. Naciśnij przycisk PLAY/PAUSE lub SKIP, aby rozpocząć odtwarzanie losowe. Utwory z płyty będą losowo wybierane do odtworzenia, odtwarzacz zatrzyma się automatycznie po odtworzeniu wszystkich. Naciśnij przycisk MODE raz jeszcze, a tryb ten zostanie anulowany.

ODTWARZANIE WPROWADZANE

Polega na tym, że pierwsze dziesięć sekund każdego utworu jest odtwarzane w sekwencyjnej kolejności. Naciśnij przycisk MODE czterokrotnie, aby wejść w ten tryb podczas odtwarzania, na wyświetlaczu pojawi się INTRO. Naciśnij przycisk PLAY/PAUSE, aby rozpocząć odtwarzanie wprowadzane od utworu nr 1. Naciśnij SKIP/SEARCH up, aby natychmiast rozpocząć wprowadzane odtwarzanie od utworu następującego po bieżącym utworze. Naciśnij SKIP/SEARCH down, aby natychmiast rozpocząć wprowadzone odtwarzanie od poprzedniego utworu.

Naciśnij przycisk STOP, aby zamknąć odtwarzanie wprowadzane oraz naciśnij przycisk PLAY/PAUSE, aby przywrócić normalne odtwarzanie muzyki.

ODTWARZANIE PŁYT MP3 (WMA)

Odtwarzacz ten może odtworzyć płyty MP3. Jednak odczytanie płyty MP3-CD zajmuje więcej czasu, niż odczytanie CD-DA. Poczekaj cierpliwie na odczytanie. Po tym jak płyta MP3 zostanie odczytana, na wyświetlaczu ukaże się całkowita liczba albumów i utworów. Chwilę później rozpocznie się odtwarzanie pierwszego utworu, z pierwszego albumu.

ZNAJDOWANIE UTWORU LUB ALBUMU I SZUKANIE KONKRETYCH PUNKTÓW DO ODTWORZENIA

1. Naciśnij jeden raz przycisk SKIP/SEARCH up w trybie odtwarzania, żeby przeskoczyć o utwór do przodu. Jeśli chcesz wybrać któryś z następných utworów naciśnij ten przycisk kilka razy.
2. Naciśnij jeden raz SKIP/SEARCH down, żeby przeskoczyć o utwór do tyłu. Jeśli chcesz wybrać któryś z poprzednich utworów, naciśnij ten przycisk kilka razy.
3. Naciśnij jednokrotnie przycisk +10/ALBUM, jeśli chcesz przeskoczyć o 10 utworów do przodu, naciśnij dwa razy jeśli o 20, itd. Możesz dojść do ostatniego utworu na płycie, wybierając ten przycisk.
4. Przytrzymaj przycisk SKIP/SEARCH up, aby szybko przewijać do przodu.
5. Przytrzymaj SKIP/SEARCH down, aby szybko cofać.
6. Przytrzymaj przycisk 10+/ALBUM, numer albumu będzie migać; naciśnij przycisk Skip/Search, aby wybrać pożądaný album, naciśnij i przytrzymaj raz jeszcze przycisk ALBUM przez 2 sekundy, aby potwierdzić wybór albumu, zaświeci się numer utworu; wybierz pożądaný utwór z wybranego albumu używając przycisków SKIP/SEARCH. Naciśnij przycisk PLAY/PAUSE, aby rozpocząć odtwarzanie wybranego utworu.

POWTARZANIE POJEDYNCZEGO UTWORU (MP3/USB/SD/MMC)

Aby powtórzyć dany utwór, naciśnij jeden raz przycisk MODE, na wyświetlaczu pojawi się ikona pojedynczego powtarzania. Preferowany utwór wybierz za pomocą przycisku SKIP/SEARCH. Odtwarzacz będzie powtarzał utwór, dopóki nie naciśniesz STOP.

POWTARZANIE WSZYSTKICH UTWORÓW (MP3/USB/SD/MMC)

Aby powtarzać wszystkie utwory, dwukrotnie naciśnij przycisk MODE w trybie odtwarzania. Na wyświetlaczu pojawi się ikona powtarzania wszystkich utworów. Odtwarzacz będzie powtarzał wszystkie utwory, dopóki nie naciśniesz STOP.

POWTARZANIE ALBUMU (MP3/USB/SD/MMC)

Aby powtórzyć wybrany album, naciśnij przycisk MODE trzykrotnie, na wyświetlaczu pojawi się ikona powtarzania albumu. Następnie wybierz preferowany utwór używając przycisków 10+/ALBUM oraz Skip. Odtwarzacz będzie powtarzał wybrany album aż do naciśnięcia przycisku STOP.

ODTWARZANIE LOSOWE (MP3/USB/SD/MMC)

Polega na tym, że utwory z nośnika odtwarzane są przez odtwarzacz w kolejności losowej. Naciśnij przycisk MODE czterokrotnie, aby wejść w ten tryb podczas odtwarzania, na wyświetlaczu pojawi się „RAN”.

Naciśnij przycisk PLAY/PAUSE, aby rozpocząć odtwarzanie losowe. Utwory z nośnika będą losowo wybierane do odtworzenia, odtwarzacz zatrzyma się automatycznie po odtworzeniu wszystkich. Naciśnij przycisk MODE raz jeszcze, aby wyjść z trybu losowego i powrócić do normalnego odtwarzania od bieżącego utworu.

ODTWARZANIE WPROWADZANE (MP3/USB/SD/MMC)

Polega na tym, że pierwsze dziesięć sekund każdego utworu jest odtwarzane w sekwencyjnej kolejności. Naciśnij przycisk MODE pięciokrotnie, aby wejść w ten tryb podczas odtwarzania, na wyświetlaczu pojawi się INTRO. Naciśnij przycisk PLAY/PAUSE, aby rozpocząć odtwarzanie wprowadzane od utworu nr 1. Naciśnij górne SKIP/SEARCH up, aby natychmiast rozpocząć wprowadzane odtwarzanie od utworu następującego po bieżącym utworze. Naciśnij SKIP/SEARCH down, aby natychmiast rozpocząć wprowadzone odtwarzanie od poprzedniego utworu. Naciśnij przycisk PLAY/PAUSE raz jeszcze w trybie INTRO, aby wyjść z trybu odtwarzania wprowadzanego i przywrócić normalne odtwarzanie muzyki.

ODTWARZANIE PROGRAMOWANE (MP3/USB/SD/MMC)

Odtwarzanie programowane polega na tym, że utwory na płycie/USB/karcie mogą zostać zaprogramowane do odtwarzania w preferowanej kolejności za pomocą przycisku PROGRAM.

W trybie zatrzymania, naciśnij raz przycisk PROGRAM/EQ, na wyświetlaczu pokaże się napis „PROG” z migającym numerem albumu oraz wskaźnikiem sekwencji programowania „P-01”; wybierz pierwszy album, który chcesz zaprogramować używając przycisków SKIP/SEARCH lub 10+/ALBUM oraz naciśnij przycisk PROGRAM/EQ raz jeszcze, aby zachować; zaświeci się numer utworu w oczekiwaniu na Twój wybór. Wybierz pożądaný utwór za pomocą przycisków SKIP/SEARCH lub 10+/ALBUM. Naciśnij przycisk PROGRAM raz jeszcze, aby zatwierdzić pierwsze programowanie i przejść do następnego kroku programowania. Wskaźnik sekwencji programowania zmieni się na „P-02”.

Powtarzaj powyższe kroki, aby zaprogramować więcej utworów. Maksymalnie 99 utworów może zostać zaprogramowanych w pamięci odtwarzacza w żądanej kolejności.

Naciśnij przycisk PLAY/PAUSE, aby rozpocząć odtwarzanie po zakończeniu programowania. Odtwarzacz automatycznie się zatrzyma po odtworzeniu wszystkich zaprogramowanych utworów.

Możesz naciśnąć przycisk STOP, aby zakończyć odtwarzanie zaprogramowanej listy. W trybie zatrzymania programowania, naciśnij przycisk STOP raz jeszcze, aby wyczyścić programowanie lub naciśnij PLAY/PAUSE, aby rozpocząć odtwarzanie programowane w kolejności identycznej jak poprzednio dokonana.

PAMIĘĆ ZEWNĘTRZNA (USB/SD/MMC)

Przygotuj odtwarzacz do podłączenia medium pamięci zewnętrznej. Umieść nośnik danych USB w porcie USB, lub umieść kartę SD/MMC w slocie karty. Przesuń przełącznik FUNCTION na tryb USB/AUX, a rozpocznie się odtwarzanie od pierwszego utworu.

Uwaga: Możesz nacisnąć przycisk USB/SD, aby przełączać między trybami USB a SD/MMC.

RÓŻNE TRYBY ODTWARZANIA

PRZEKAKIWANIE MIĘDZY UTWORAMI I SZUKANIE ULUBIONYCH

Naciśnij jednokrotnie przycisk SKIP UP, aby przeskoczyć do następnego utworu. Jeśli chcesz wybrać któryś z następnych utworów naciskaj ten przycisk w sposób ciągły. Naciśnij jednokrotnie przycisk SKIP DOWN, żeby przeskoczyć do poprzedniego utworu. Jeśli chcesz wybrać któryś z dalszych utworów, naciskaj ten przycisk w sposób ciągły. Naciśnij i przytrzymaj przycisk +10/ALBUM przez 2 sekundy w trakcie odtwarzania, zaświeci się numer albumu; wybierz pożądaną album używając przycisków SKIP/SEARCH; naciśnij i przytrzymaj raz jeszcze przycisk +10/ALBUM przez 2 sekundy, aby potwierdzić wybór albumu, zaświeci się numer utworu; wybierz pożądaną utwór z wybranego albumu używając przycisków SKIP/SEARCH. Naciśnij przycisk PLAY/PAUSE, aby rozpocząć odtwarzanie wybranego utworu..

Przytrzymaj przycisk SKIP/SEARCH up w trybie odtwarzania, aby szybko przewijać do przodu.

Przytrzymaj SKIP/SEARCH down w trybie odtwarzania, aby szybko cofać.

TRYBY POWTARZANIA

Chcąc powtórzyć aktualnie odtwarzaną ścieżkę, w trybie odtwarzania należy jeden raz nacisnąć przycisk TRYBU PRACY (MODE); na ekranie LCD wyświetlacz pojawi się piktogram powtarzania pojedynczej ścieżki. Chcąc powtórzyć wszystkie ścieżki zapisane na nośniku pamięci (USB / karta MMC) należy nacisnąć ten przycisk dwukrotnie; na ekranie LCD wyświetlacz pojawi się piktogram powtarzania wszystkich ścieżek. Chcąc powtórzyć wszystkie ścieżki w aktualnie wybranym katalogu należy nacisnąć ten przycisk trzykrotnie. Na ekranie LCD wyświetlacz pojawi się piktogram powtarzania całego albumu.

ODTWARZANIE W KOLEJNOŚCI LOSOWEJ

Naciśnięcie przycisku TRYBU PRACY (MODE) po raz czwarty podczas odtwarzania spowoduje uruchomienie trybu odtwarzania w kolejności losowej; po naciśnięciu przycisku ODTWARZANIA/PAUZY (PLAY/PAUSE) odtwarzacz wybierze ścieżki do odtworzenia w przypadkowej kolejności. Ponowne naciśnięcie tego przycisku spowoduje wyjście z trybu odtwarzania w kolejności losowej i powrót do odtwarzania w normalnej kolejności.

ODTWARZANIE POCZĄTKÓW UTWORÓW

Piąte z kolei naciśnięcie przycisku TRYBU PRACY (MODE) spowoduje niezwłoczne uruchomienie odtwarzania początków utworów; po naciśnięciu przycisku ODTWARZANIA/PAUZY (PLAY/PAUSE) odtwarzacz odtworzy pierwszych 10 sekund każdego utworu w zapisanej kolejności. Ponowne naciśnięcie przycisku ODTWARZANIA/PAUZY (PLAY/PAUSE) spowoduje wyjście z trybu odtwarzania początków utworów i powrót do normalnego odtwarzania począwszy od aktualnie odtwarzanej ścieżki.

ODTWARZANIE W ZAPROGRAMOWANEJ KOLEJNOŚCI

W trybie odtwarzania ścieżek zapisanych na nośnikach USB i kartach SD/MMC istnieje również możliwość programowania kolejności ich odtwarzania. Można zaprogramować kolejność odtworzenia aż 99 ścieżek.

Przykład programowania kolejności odtwarzania ścieżek zapisanych na nośniku USB

Korzystając z przycisku PROGRAM można zaprogramować kolejność odtwarzania zapisanych ścieżek. W trybie zatrzymania należy jeden raz nacisnąć przycisk PROGRAM, czemu będzie towarzyszyć pojawienie się komunikatu „PROG USB” na ekranie LCD wyświetlacza oraz migającego numeru albumu wraz z oznaczeniem kolejności „P-01”; korzystając z przycisku SKIP/SEARCH (POMIŃ/WYSZUKAJ) lub +10/ALBUM należy wybrać numer albumu, w którym kolejność ścieżek będzie programowana, a następnie ponownie nacisnąć przycisk PROGRAM i tym samym wprowadzić wybór do pamięci; na ekranie błyskać będzie numer ścieżki w oczekiwaniu na dokonanie wyboru. Przyciskiem SKIP/SEARCH (POMIŃ/WYSZUKAJ) lub +10/ALBUM wybrać żądany numer ścieżki. Ponownie nacisnąć przycisk PROGRAM, co będzie potwierdzeniem pierwszego kroku programowania, po czym przejść do kolejnego. Oznaczenie programowanej kolejności zmieni się na „P-02” w oczekiwaniu na wprowadzenie kolejnych danych. Programując kolejność następnych ścieżek należy powtórzyć powyższe kroki. W pamięci można zaprogramować aż 99 ścieżek w dowolnej kolejności. Po zakończeniu programowania nacisnąć przycisk ODTWARZANIA/PAUZY (PLAY/PAUSE), co spowoduje rozpoczęcie odtwarzania ścieżek w zaprogramowanej kolejności. Po odtworzeniu wszystkich zaprogramowanych ścieżek odtwarzanie samoczynnie się zakończy. Chcąc zakończyć odtwarzanie ścieżek w zaprogramowanej kolejności należy nacisnąć przycisk STOP. Kolejne naciśnięcie przycisku STOP spowoduje wyczyszczenie pamięci, natomiast naciśnięcie przycisku ODTWARZANIA/PAUZY (PLAY/PAUSE) spowoduje wznowienie odtwarzania w zaprogramowanej, identycznej jak poprzednio, kolejności.

DODATKOWE WEJŚCIE

Twój odtwarzacz może być używany jako wzmacniacz mocy do odtwarzania programów z przenośnego radia, telewizora lub odtwarzacza MP3; jest tak zaprojektowany, aby sygnał audio mógł być generowany przez wyjście liniowe Jack (LINE-OUT) lub tym podobne. Postępuj zgodnie z poniższymi krokami, aby podłączyć odtwarzacz do innego urządzenia:

1. Włącz odtwarzacz używając dołączonego kabla AC Power.
2. Przesuń przełącznik FUNCTION na pozycję USB/AUX.
3. Podłącz urządzenie do dodatkowego wejścia Jack (AUX) odtwarzacza za pomocą dołączonego kabla LINE-OUT urządzenia.
4. Włącz odtwarzacz i rozpocznij odtwarzanie.

W tym momencie będziesz mógł słuchać dźwięku programu, który jest nadawany przez podłączone urządzenie.

WAŻNE UWAGI:

Ten odtwarzacz może podlegać zmianom bez uprzedniego zawiadomienia czy ponoszenia odpowiedzialności, gdyż prowadzimy politykę ciągłego wzrostu i poprawy tego produktu. Przepraszamy, jeśli spowoduje lub spowodowało to Państwu jakieś niedogodności.

WAŻNA UWAGA

Uwaga: Mimo faktu, że oprócz normalnych płyt CD odtwarzacz może odtwarzać płyty CD-R, CD-RW oraz MP3, na możliwość odtworzenia tego rodzaju płyt może mieć wpływ oprogramowanie, za pomocą którego je utworzono, jak również jakość i stan samych nośników. Nie można zagwarantować, że wszystkie płyty będą równie dobrze odtwarzane, co w żadnej mierze nie oznacza wady odtwarzacza.

WAŻNA UWAGA

Gniazdo USB tego odtwarzacza jest w pełni kompatybilne ze standardem USB 1.1 i 2.0. Jeśli odtwarzacze MP3 podłączone do tego gniazda nie spełniają wymogów urzędowego standardu USB 1.1 i 2.0, może się okazać, że nie będą działać. Nie oznacza to wady tego urządzenia. Odtwarzacz MP3 nie jest zgodny z urzędowym standardem USB 1.1 i 2.0.

OSTRZEŻENIE

1. Na urządzeniu nie należy stawiać źródeł otwartego ognia, jak zapalone świece.
2. Urządzenie nie należy ustawiać w zamkniętych szafkach lub regałach, gdzie wymiana powietrza jest utrudniona.
3. Wtyczka przewodu zasilającego służy do odłączenia urządzenia od źródła zasilania, i musi być dostępna w każdej chwili.
4. Nie należy utrudniać wymiany powietrza przez zatykanie otworów wentylacyjnych gazetami, obrusami, firanami, itp.
5. Nie dopuszczać, by na urządzenie kapąły krople wody. Na urządzeniu nie stawiać żadnych pojemników w wodą, np. wazonów.
6. Anteny FM nie podłączać do anteny zewnętrznej.
7. Nie narażać urządzenia na bezpośrednie działanie promieni słonecznych, bardzo wysokich lub niskich temperatur, wilgoci, wibracji lub kurzu.
8. Do czyszczenia obudowy urządzenia nie stosować środków ściernych, benzenu, rozcieńczalników i innych rozpuszczalników. Obudowę czyścić czystą, miękką ściereczką zwilżoną roztworem łagodnego środka do mycia.
9. Do otworów wentylacyjnych urządzenia pod żadnym pozorem nie wkładać przewodów, szpilek i podobnych przedmiotów.

Urządzenia nie poddawać likwidacji wraz z odpadami pochodzącymi z gospodarstwa domowego. Likwidację urządzenia należy przeprowadzić zgodnie z Dyrektywą UE 2002/96/EC-WEEE (Zużyty sprzęt elektryczny i elektroniczny). Zużyte urządzenie należy przekazać do punktu zbiórki takich urządzeń. Prosimy przestrzegać stosownych przepisów w tym zakresie, a w razie wątpliwości zasięgnąć informacji u władz lokalnych.



UWAGA

- Zagrożenie wybuchem w przypadku niepoprawnej wymiany baterii.
- Baterie wymieniać wyłącznie stosując ten sam typ baterii lub ich odpowiedniki.
- Baterii nie narażać na działanie nadmiernego ciepła, np. promieni słonecznych, ognia, itp.
- Przy likwidacji zużytych baterii prosimy zwrócić uwagę na kwestie ochrony środowiska naturalnego.