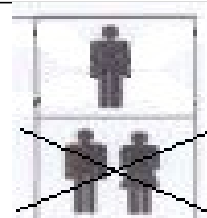
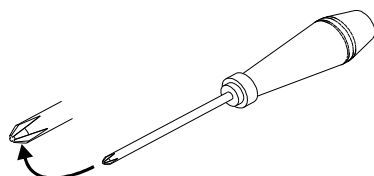
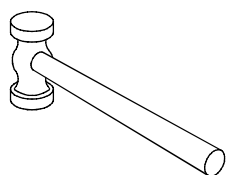
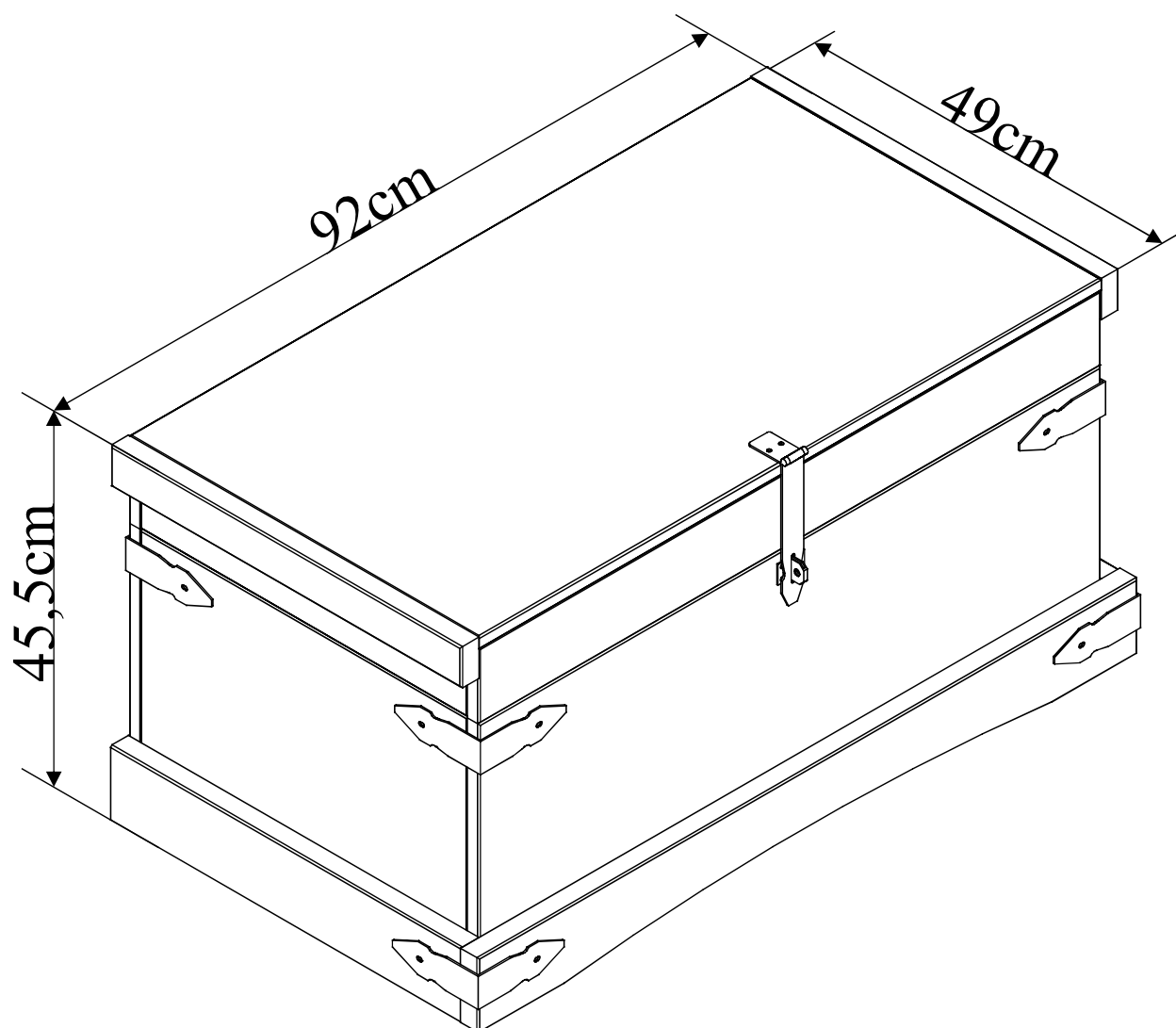
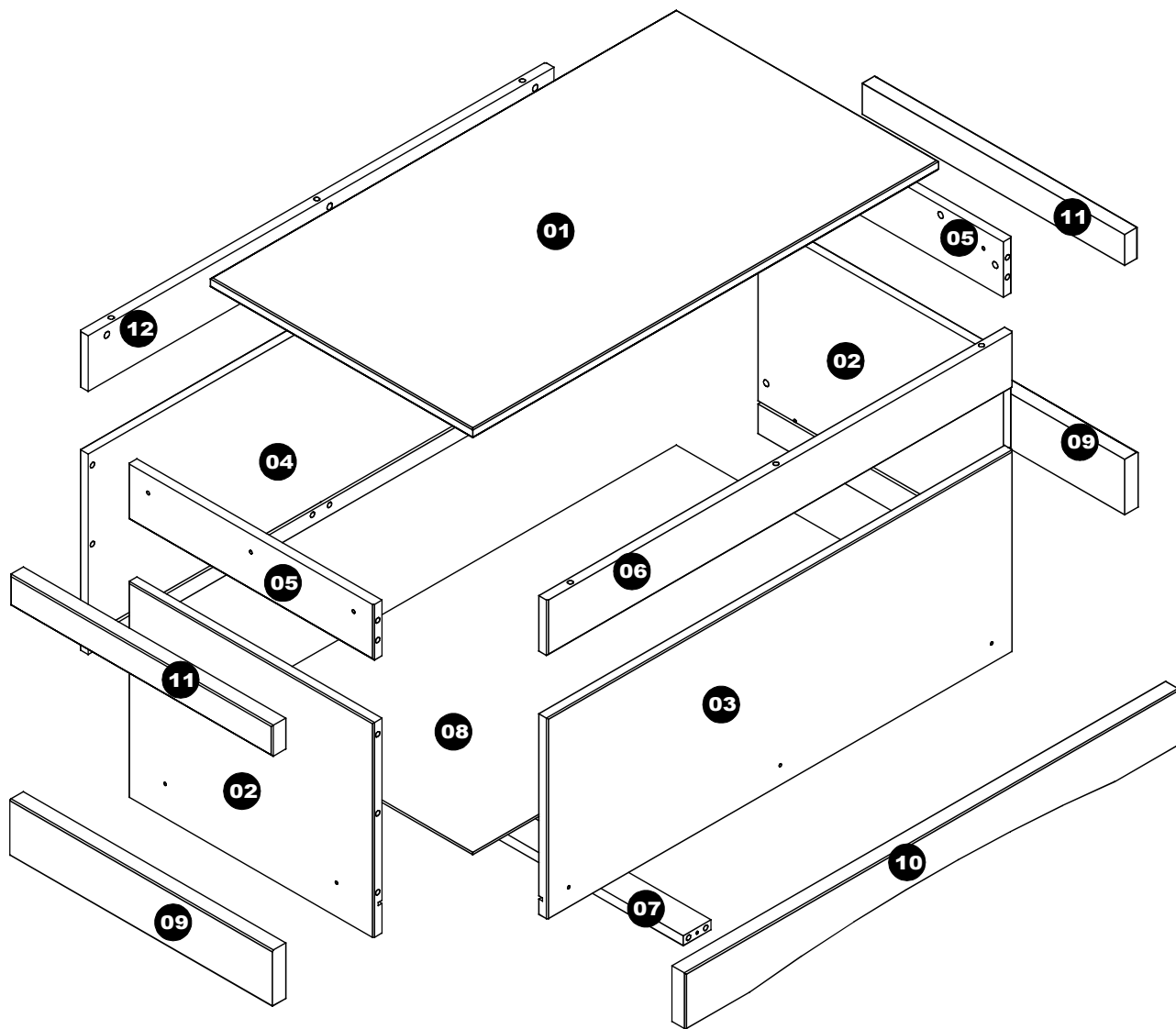


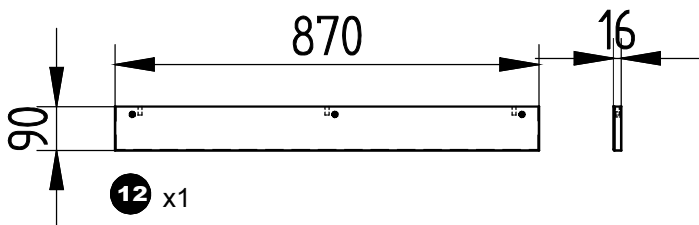
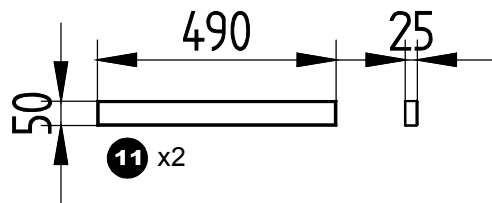
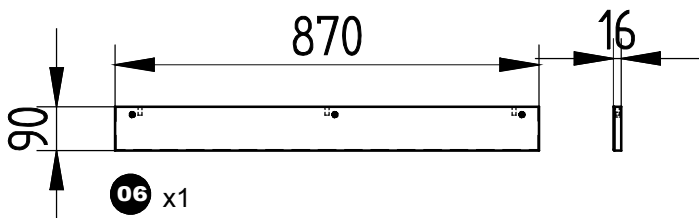
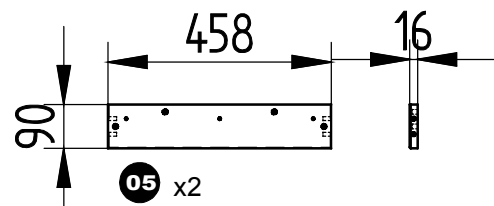
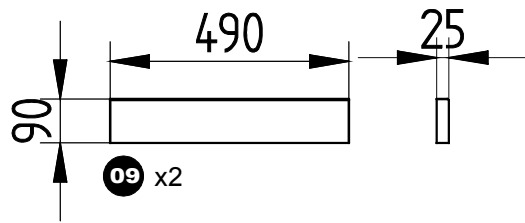
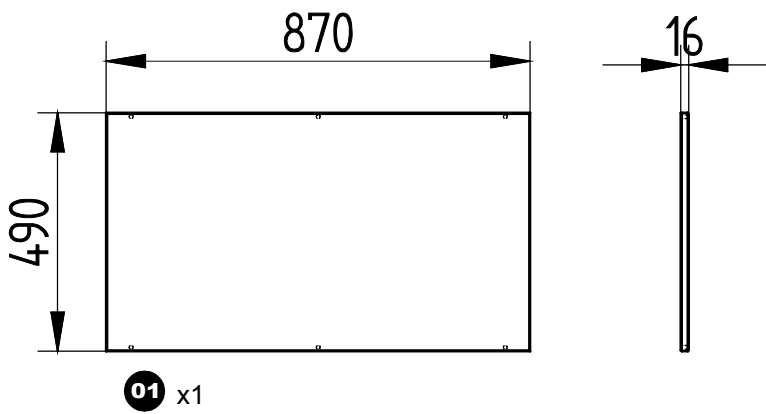
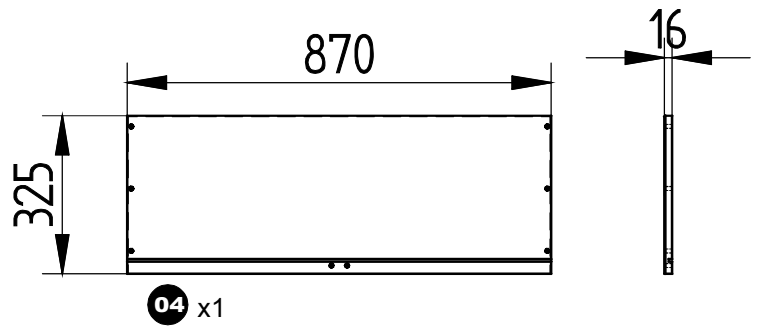
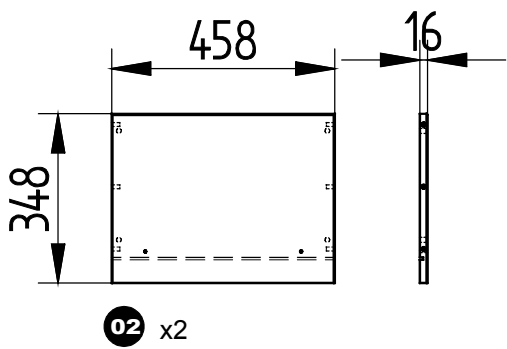
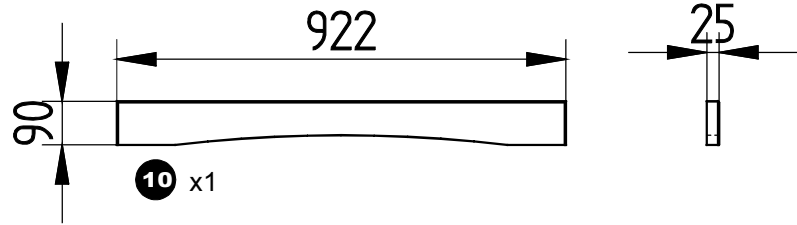
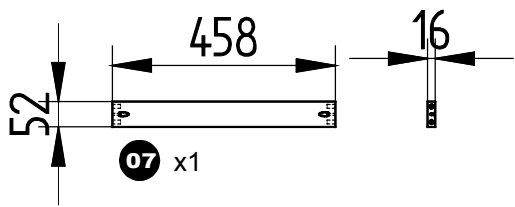
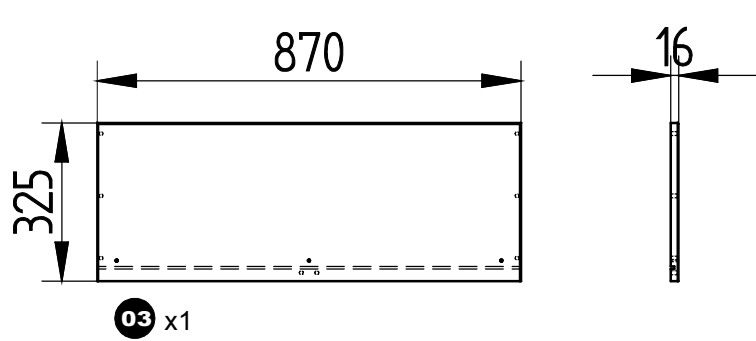
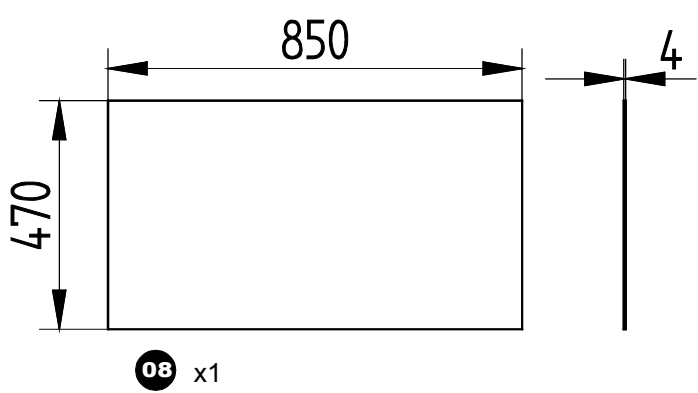
24-4002 / 24-4003 / 24-4004

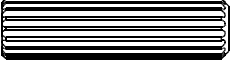


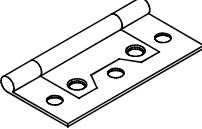


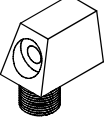
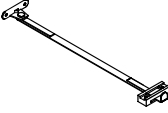
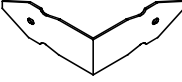
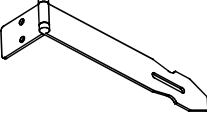
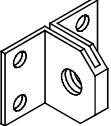


1:00 h



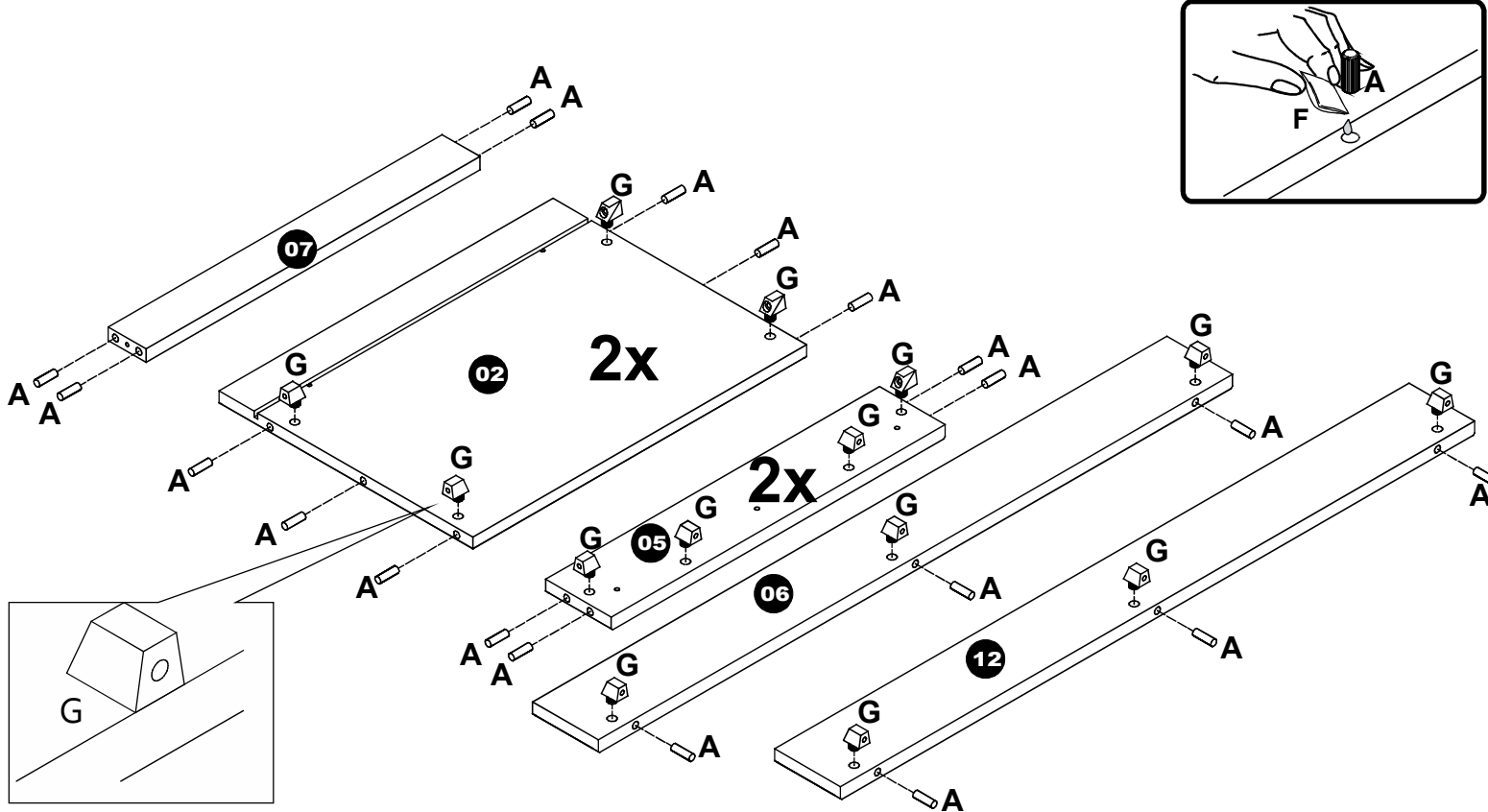
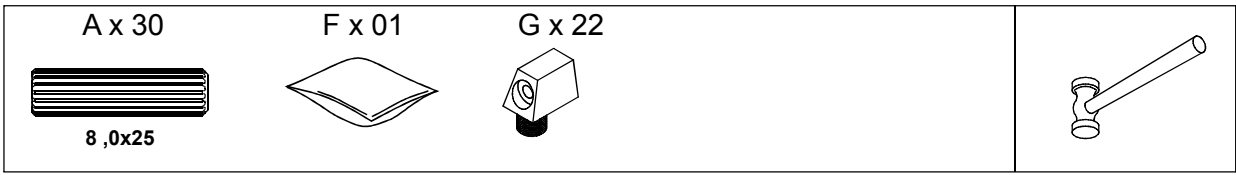




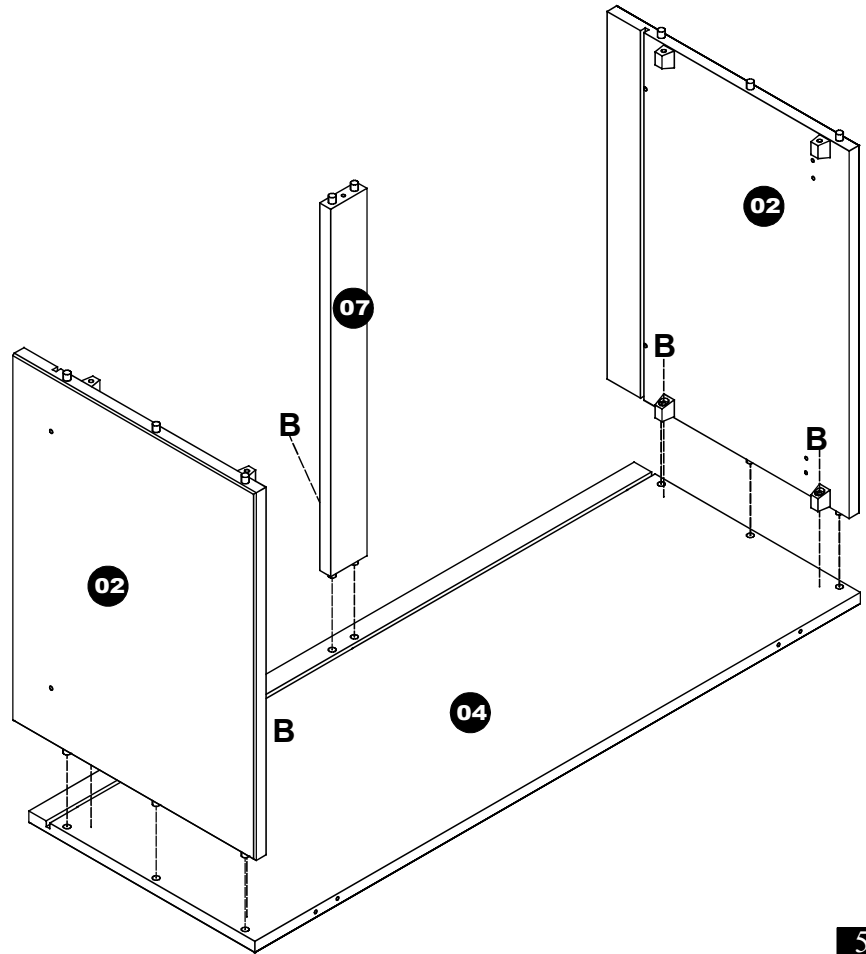
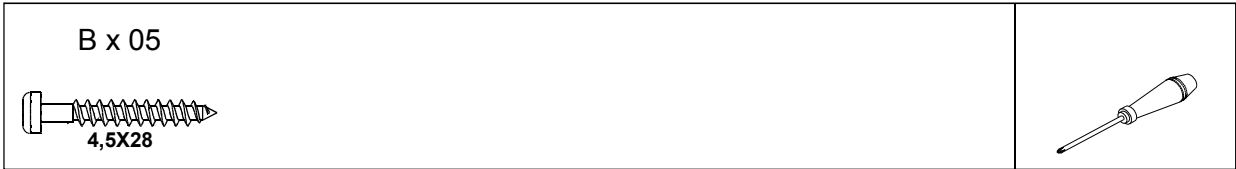
<p>A x 30</p>  <p>8,0x25</p>	<p>B x 37</p>  <p>4,5X28</p>	<p>C x 16</p>  <p>3,5X14 prt</p>	<p>D x 02</p> 	<p>E x 18</p>  <p>3,0X16 prt</p>
<p>F x 01</p>  <p>20g</p>	<p>G x 22</p> 	<p>H x 02</p> 	<p>J x 06</p> 	<p>K x 01</p> 
<p>L x 01</p> 				



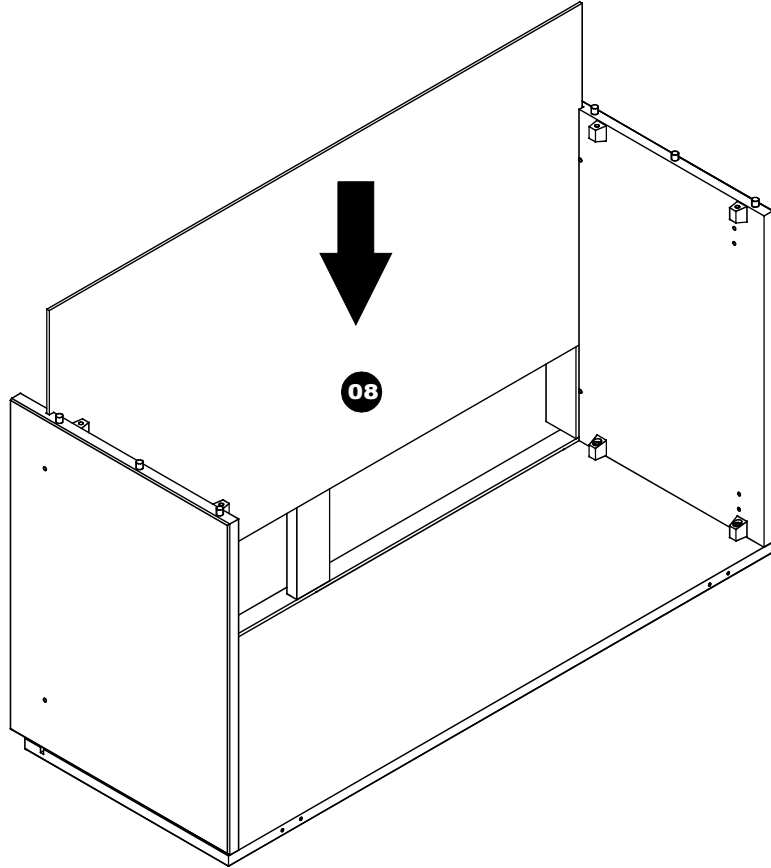
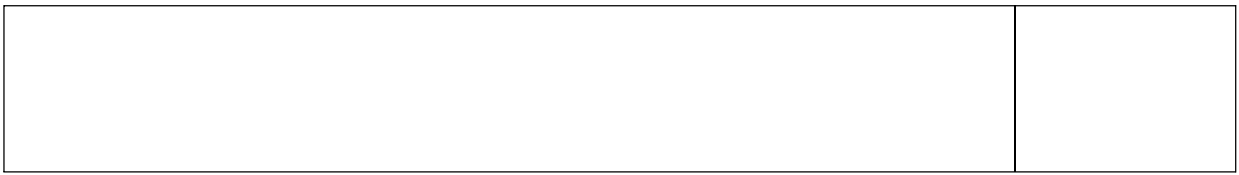
1



2

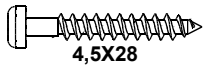


3

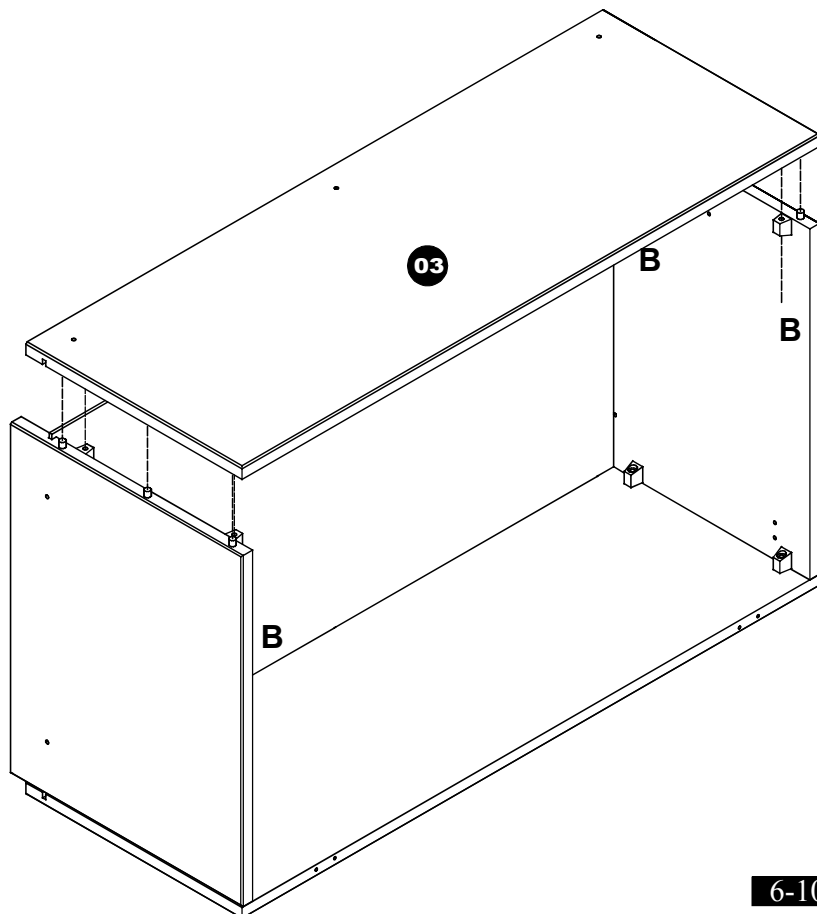
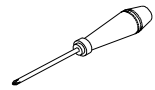


4

B x 05

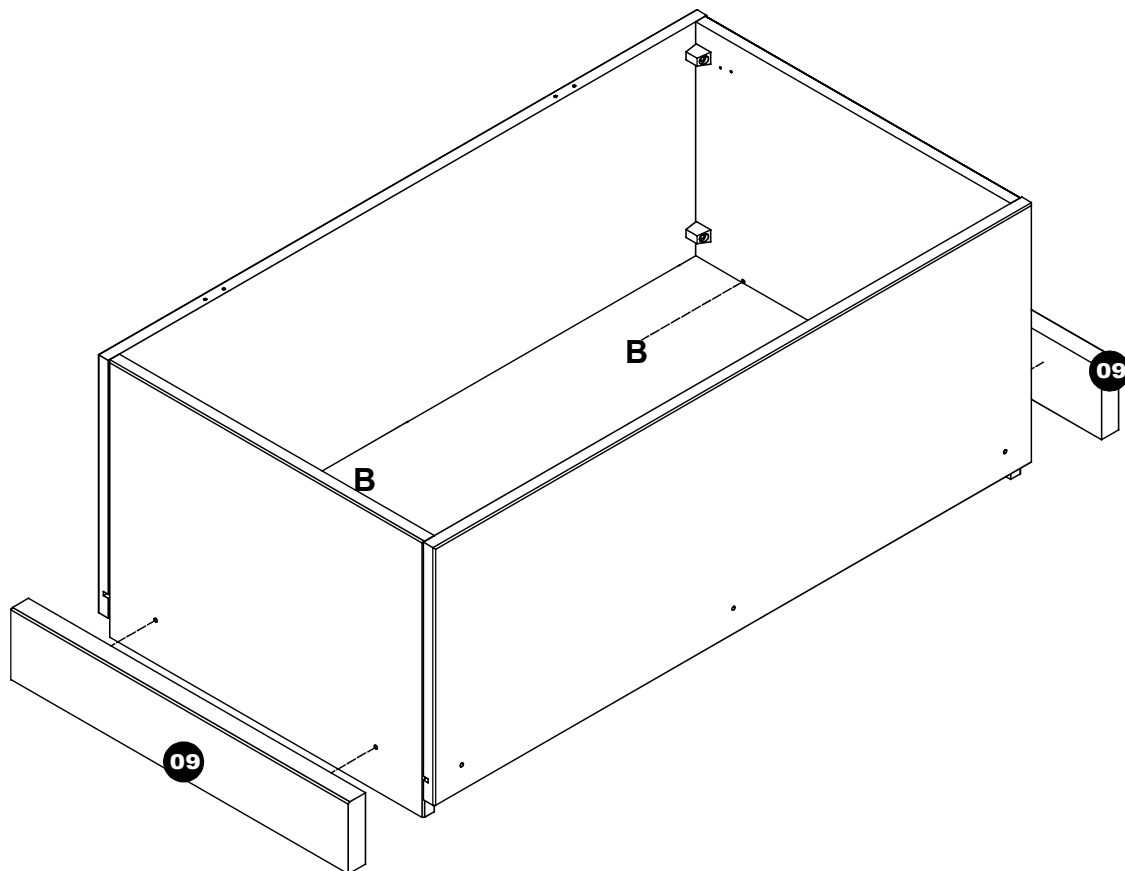
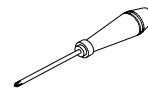
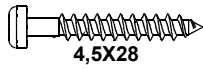


4,5X28



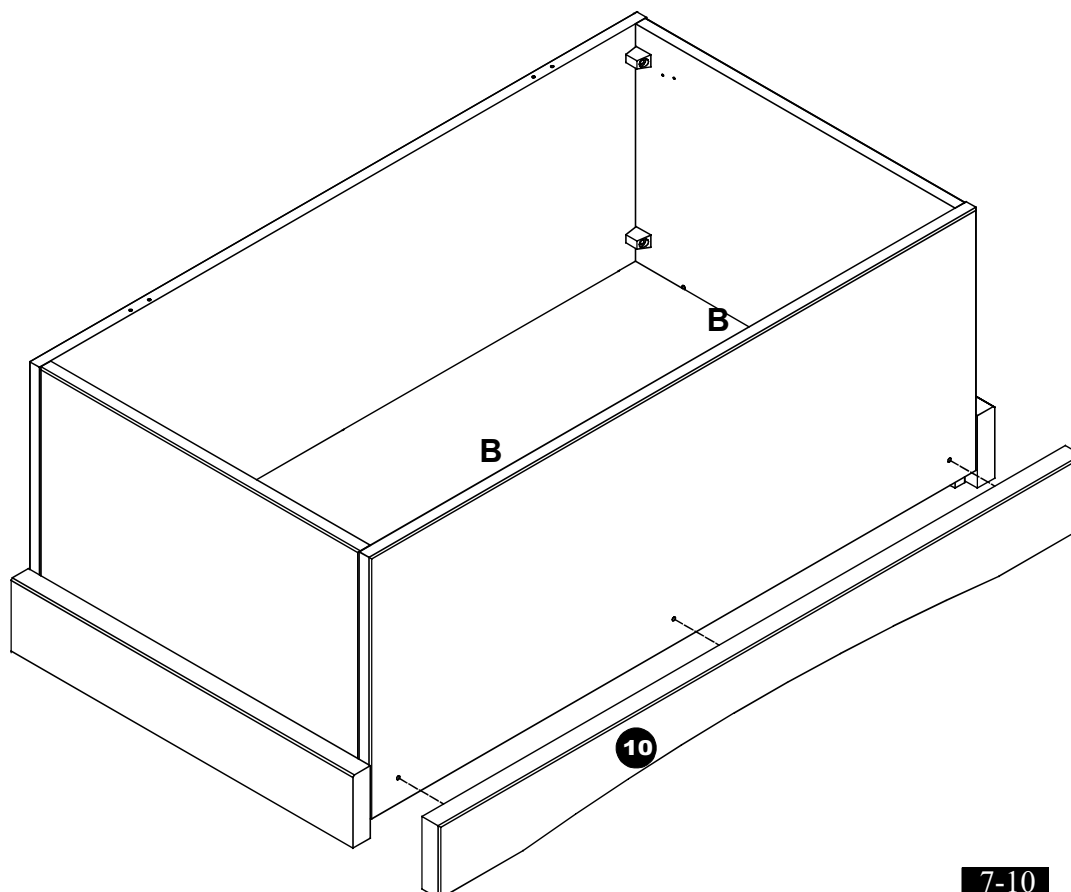
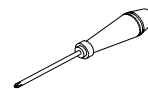
5

B x 04



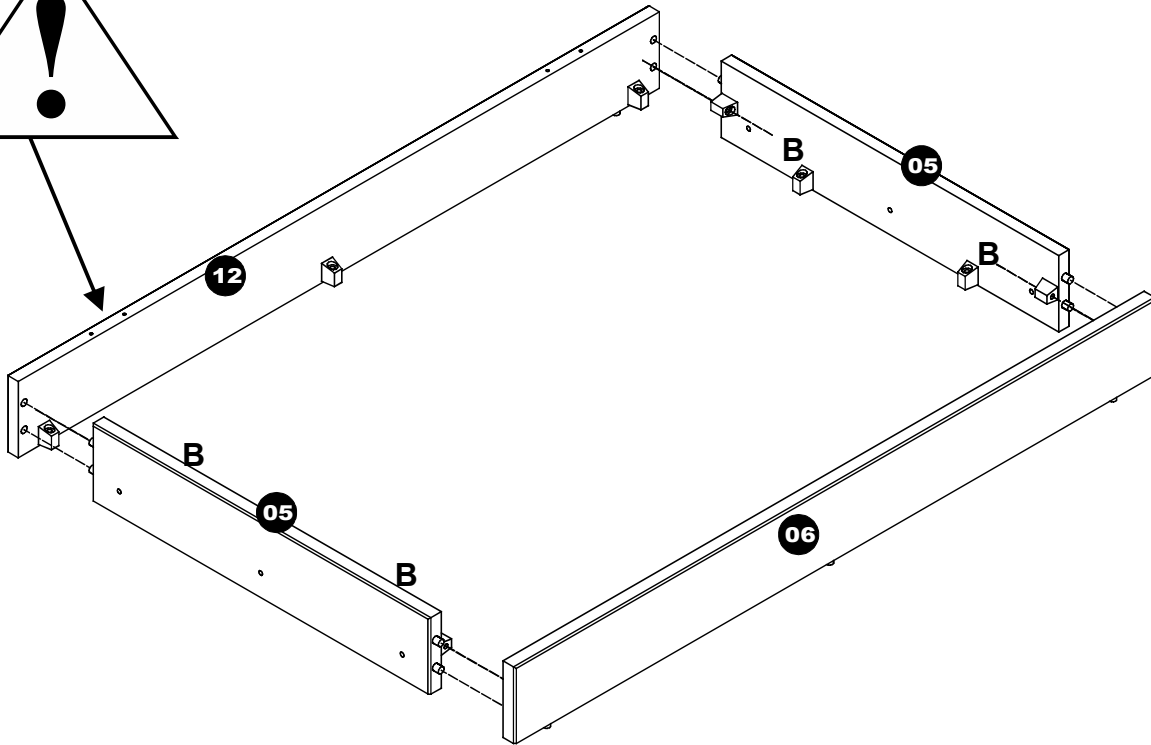
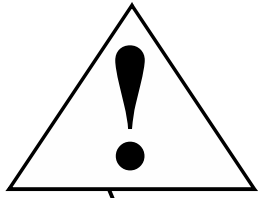
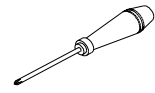
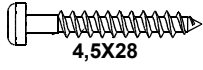
6

B x 03



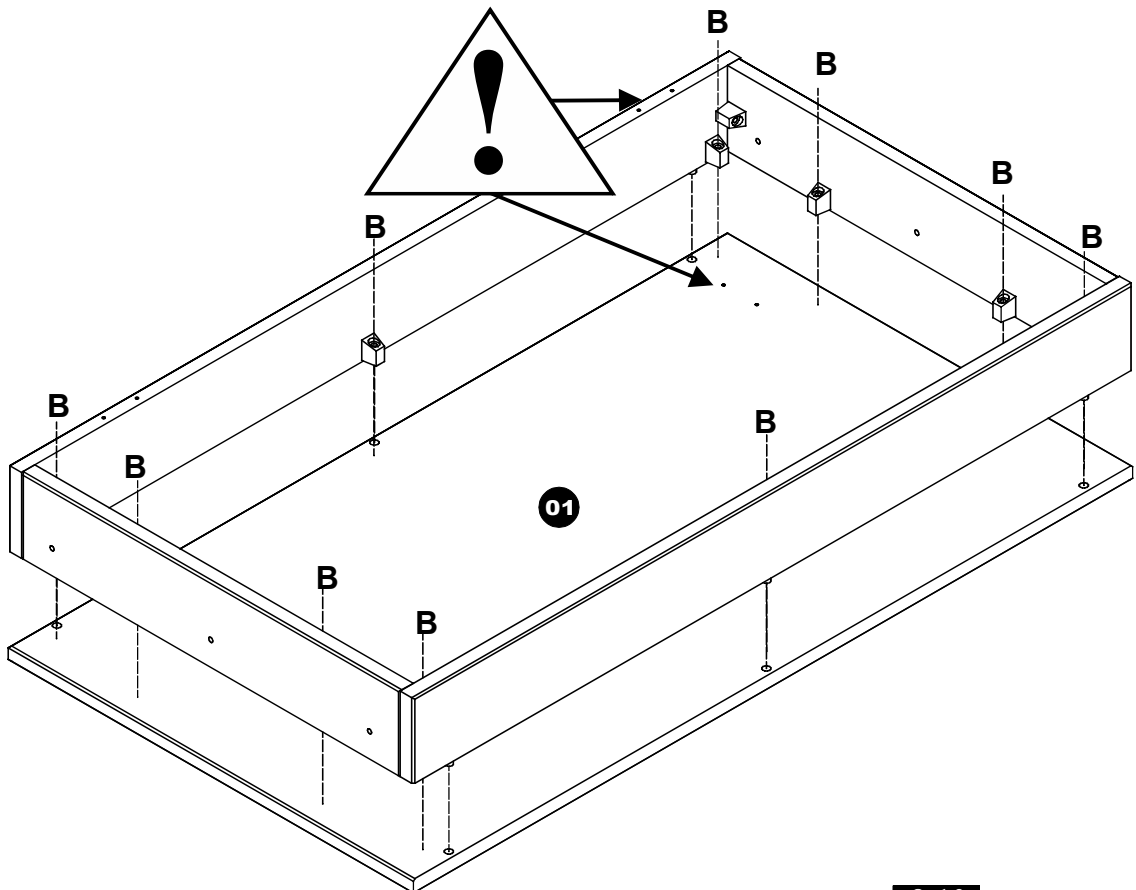
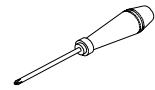
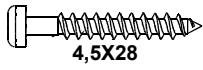
7

B x 04



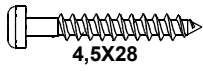
8

B x 10

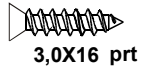


9

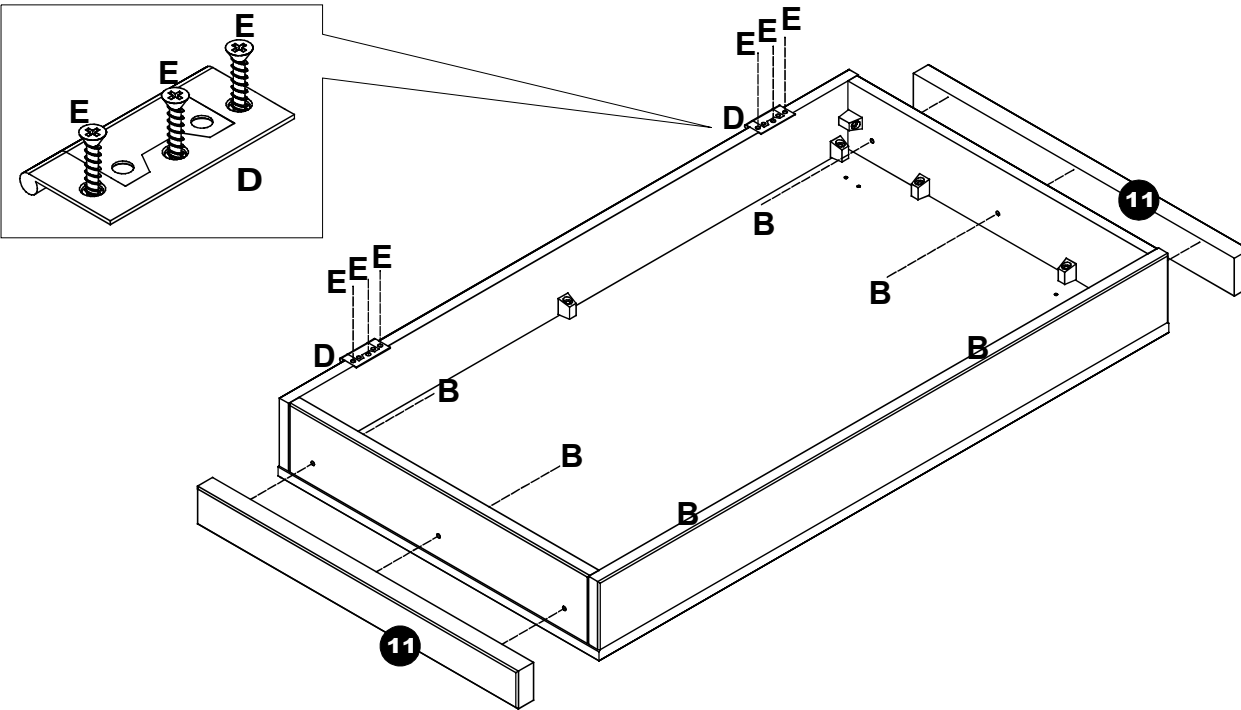
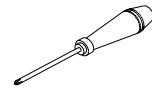
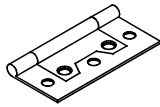
B x 06



E x 06

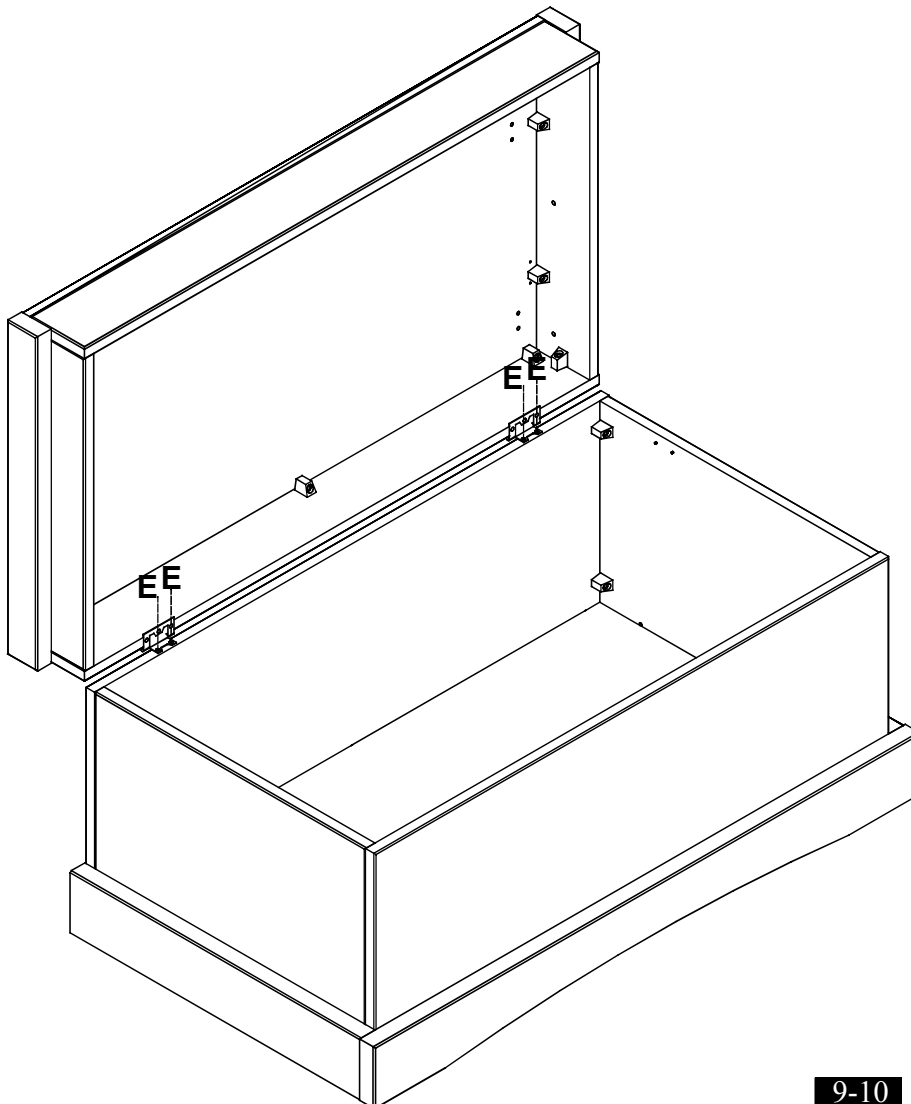
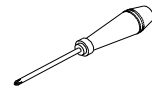
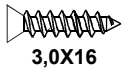


D x 02



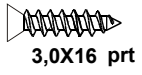
10

E x 04

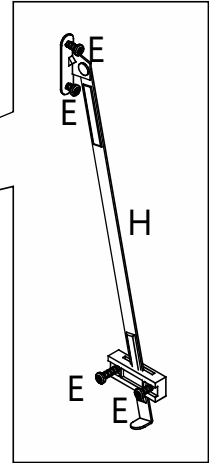
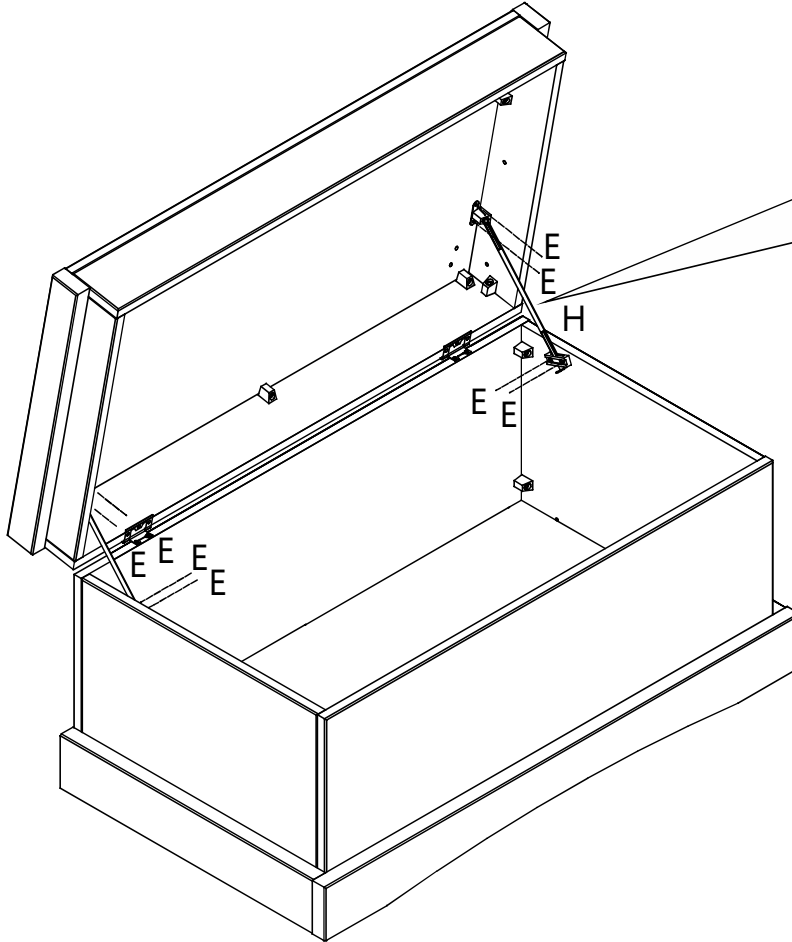
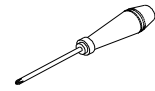
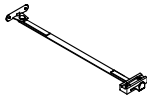


11

E x 08

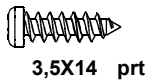


H x 02

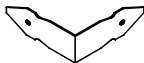


12

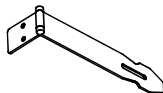
C x 16



J x 06



K x 01



L x 01

