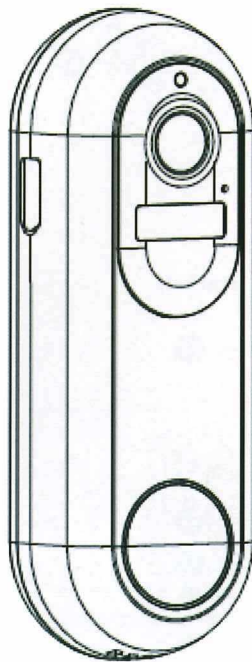




WATERPROOF LOW-POWER VIDEO DOORBELL

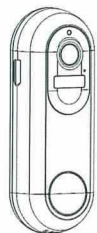
Quick Start Guide

* Please read it carefully before using the product

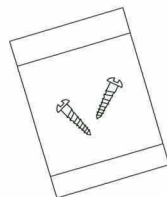


Package List

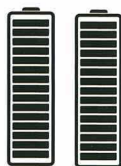
Please check and make sure the camera (here in after referred to as "The Equipment") is in good condition and all below parts are included after opened the package.



Equipment
(including Mounting Bracket)



Security Screw

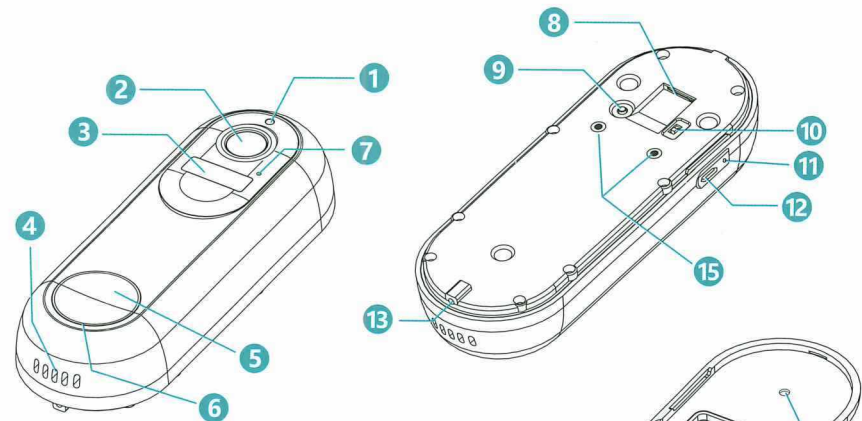


Two 21700 Battery



Quick Start Guide

Product Description



- 1 Photoresistor
- 2 Camera
- 3 PIR Motion Sensor
- 4 Speaker
- 5 Doorbell Button
- 6 LED Indicator
- 7 Microphone
- 8 Memory Card Slot
- 9 Reset Button
- 10 On / Off Switch
- 11 Charging Indicator
- 12 Micro USB Port
- 13 Security Screw Hole
- 14 Security Screw
- 15 Hardwire Terminals
- 16 Wall Mount Screw Holes

Power Key	Move the button to turn on/off the camera
Reset Key	Press and hold RESET for 5 seconds to reset the device to factory setting.(You will hear 'Bugu' if reset successfully)
SD Card Slot	Support local SD card storage (up to 128G) (No more than 32GB card is recommend)
Lens	Support FHD 1080P resolution
Power Light	Red means charging, Blue means fully charged
Microphone	Capture sound for your videos
PIR Sensor	Can detect moving objects up to 50FT away
Working Status Light	Solid on red: Device is abnormal Flashing red slowly: Ready for Wi-Fi connection Flashing red quickly: Wi-Fi connecting Solid on blue: Wi-Fi connected Successfully
Speaker	Two-way audio output
USB Charge Port	Use 5V/2A USB standard charger and micro USB cable to charge the camera
Hardwire Terminals	Installation requires existing doorbell wires at AC 12-24 V
Safety Screw	Prevent your doorbell camera from being stolen

01

Mounting the camera to the wall

NOTE

In order to obtain the best product performance and avoid unnecessary environmental disturbances, please pay attention to the following during the installation process:

- Do not install the product nearby to the heat sources, such as outdoor units of air conditioners, kitchen exhausts, etc.
- Make sure there are no reflections within 5 feet (1.5 meters) of the PIR sensor, otherwise it will interfere with the normal function of the sensor.
- Try to avoid installing the product on the side of a lively road. Frequent pedestrians and vehicles will keep waking up the camera, resulting in frequent alarm messages and extremely fast power consumption.
- Do not install the product very far from the router, the product needs a good WI-FI signal to work properly.

Extra Tools You need needed:



Power drill

02

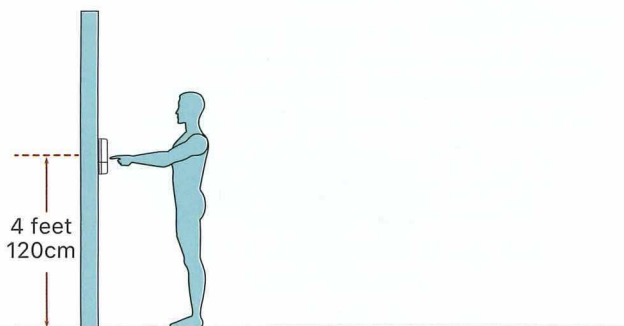
Step 1:

Select the location where you need to install the camera, take the camera and the phone to the location, and use the "Installation Guide" in the application to diagnose the network and determine whether the WI-FI signal at the location is good.

It is recommended to install the camera in a location with good WI-FI signal for smooth camera operation.

Step 2:

Use Power Drill . Secure the camera bracket to the wall, 4 feet off the ground (1.2m) is recommended, snap the camera into the bracket and secure the camera with safety screws.



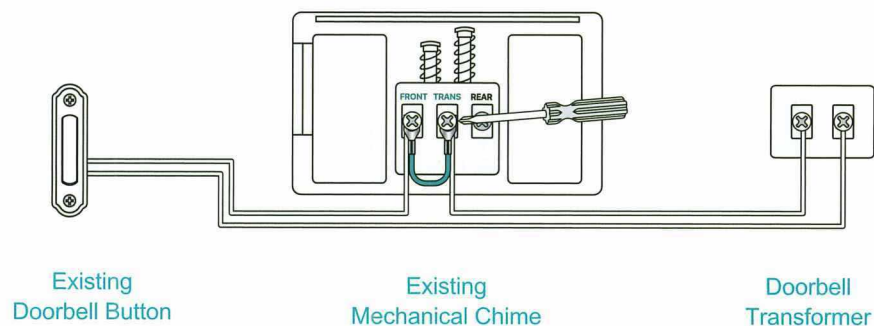
03

1. HARDWIRED INSTALLATION (OPTIONAL)

To replace your existing doorbell and mechanical chime, please follow below installation steps:

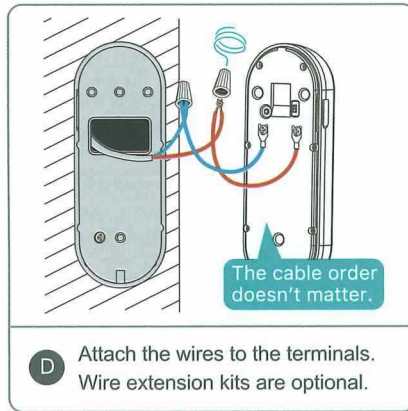
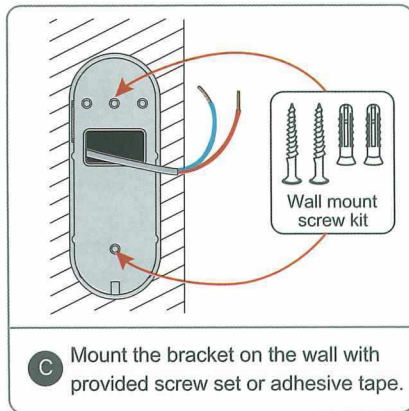
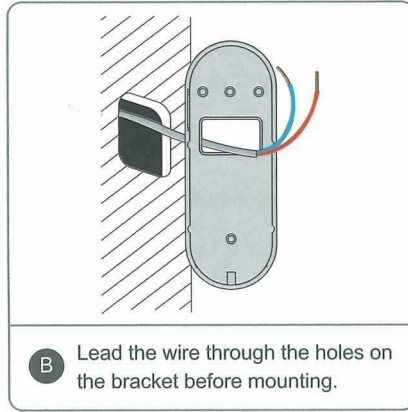
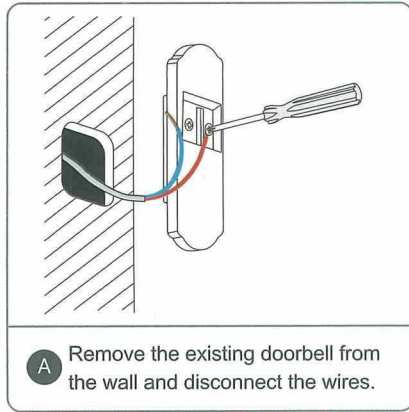
- 1 Shut off the master circuit breaker in your house.
- 2 Bypass your indoor chime with provided jumper.

In most cases, the existing doorbell circuit looks similar to the image below. Remove the cover of the indoor chime and loosen the "FRONT" and "TRANS" terminal screws. Use the provided jumper to connect the two terminals, and replace the chime cover.

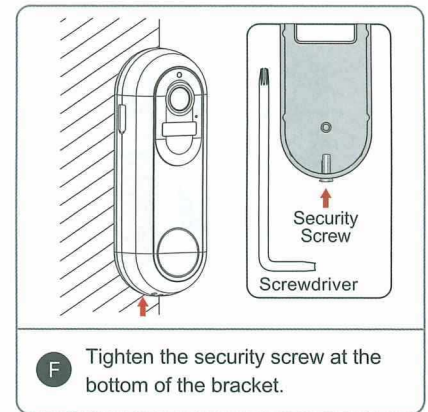
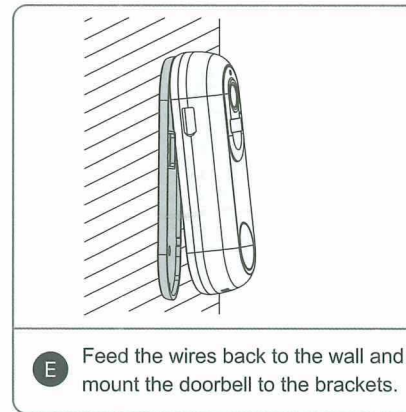


04

3 Replace your existing doorbell.

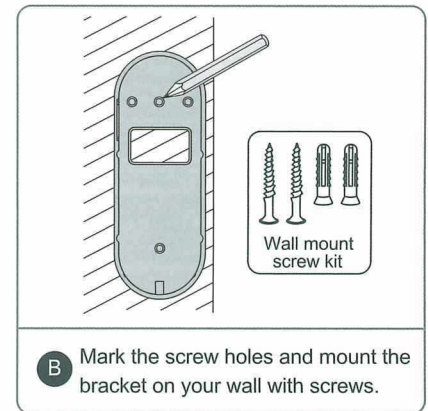
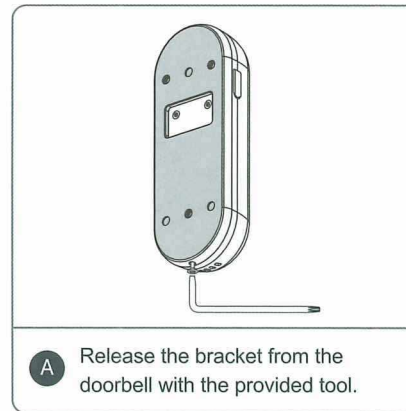


05

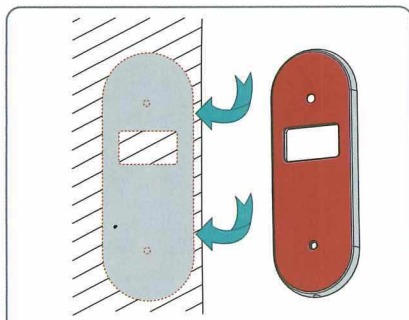


4 Restore power at the breaker, and your doorbell is ready for use.

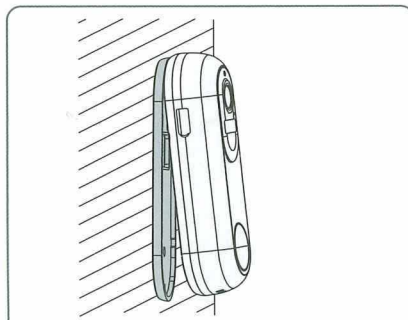
2. WIRELESS INSTALLATION



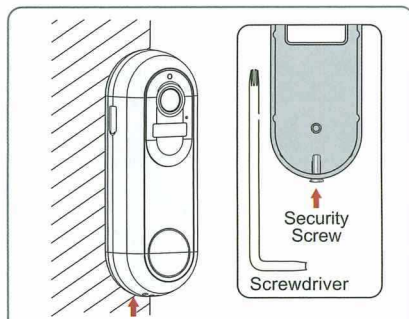
06



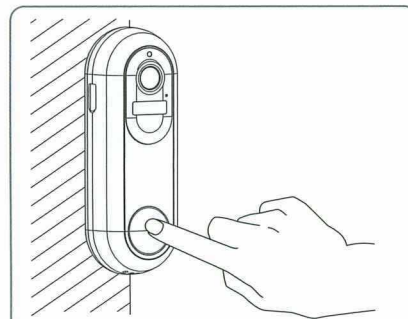
C Adhesive tape is provided to mount the bracket on flat surfaces. (Optional)



D Attach the doorbell to the fixed mounting bracket.



E Tighten the security screw at the bottom of the bracket.



F All set! Press the doorbell button to run a test.

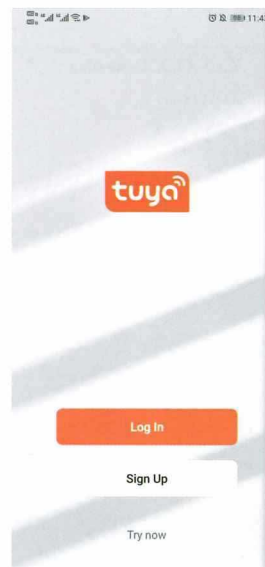
Equipment Connection

1. You can download the TuyaSmart app by searching for TuyaSmart in your app store or by scanning the following QRcode.



2. Registration, login, and password reset

1. Open the Tuya Smart app and tap Sign Up. In the User Agreement and Privacy Policy dialog box, carefully read the privacy policy and agreement and tap Agree to go to the account registration page.



2. Enter your mobile phone number or email address and tap Get Verification Code. The country or region on the registration page is the same as that you set in the mobile phone. You can also manually change the country or region before registration.

3. On the Enter Verification Codepage,enter the verification code. On the Set Password page, set the password as perinstructions and tap Done.



Register

China

Mobile Number/Email



Enter Verification Code



Verification code has been sent to your mobile phone: XXXXXXXX. Resend (51s)

[Didn't get a code?](#)

Set Password

Password

Use 6-20 characters with a mix of letters and numbers



09

3. Log in with your app account

1. Open the TuyaSmart app.If you have registered an account of TuyaSmart app, tap Log In. In the User Agreement and Privacy Policy dialog box, carefully read the privacy policy and agreement and tap Agree to go to the login page.

2. Check the country or region on the login page. The system automatically identifies your current country or region. You can also manually select a country or region.

3. Enter your registered mobile phone number or email address, enter the password, and then tap LogIn.



Log In

China

Please enter your account

Password



[Forgot Password](#)

10

4.Reset password

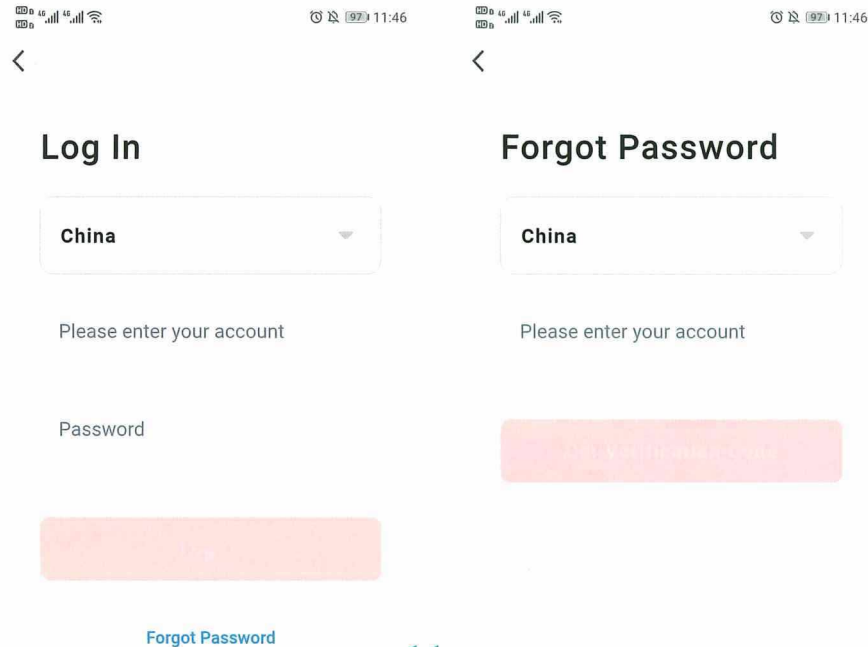
If you forget your login password, you can reset the password based on the following process:

1. On the Log In page, tap Forgot Password.

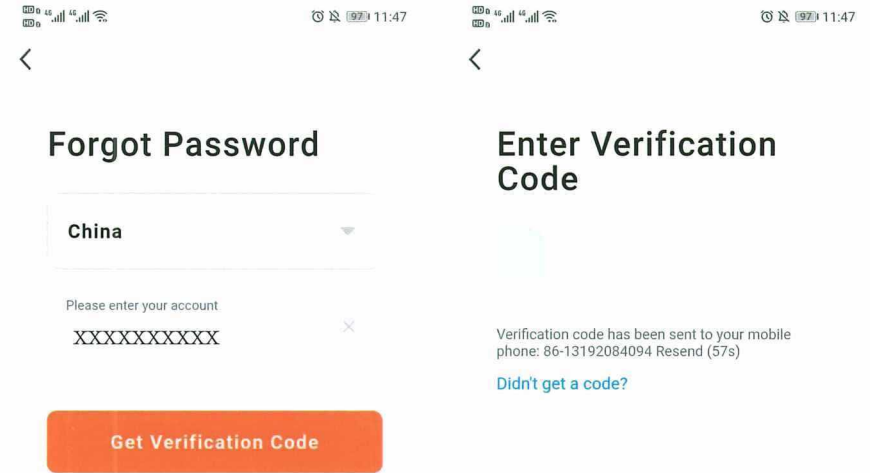
2. On the page that appears, check the country or region.

The system automatically identifies the current country or region where you reside. You can also manually select a country or region. If your account is registered with a mobile phone number, the country or region must be the same as the one you selected during registration.

3. Enter your registered mobile phone number or email address and tap Get Verification Code.



4. On the Enter Verification Code page, enter the verification code.



5. On the page that appears, enter a new password and tap Done. Then the password is reset, and you automatically log in to the app.

6. For security concerns, the app will detect risks in your phone system during login. If the app detects a root or jailbreaking risk, a security reminder is displayed. You can determine whether to exit the app or not. If no selection is made, the app will automatically exit.



Set Password

Password

Use 6-20 characters with a mix of letters and numbers

13

ADD DEVICE

Add device manually— QR CODE pairing mode

1. The Wi-Fi quick connection (default mode)

On the device list page, click the "Add Device" button in the center or click the "+" button at the top right to enter the "Add Device" page, which is currently divided into two methods: "Manually Add" and "Automatically Discover". (Use manual add mode)



14



12:02

Cancel

QR Code

Reset the device first.

Power on the device and make sure the indicator is flashing rapidly or a prompt tone is heard.



Perform net pairing as prompted. >

Make sure the indicator is flashing quickly or a prompt tone is heard

Next



12:05

Cancel

QR Code

Reset the device



The indicator will flash rapidly when the camera is reset.

Make sure the indicator is flashing quickly or a prompt tone is heard

Back

Next

2. After clicking Next, you will be taken to the page for entering the Wi-Fi password.

3. According to the prompts on the page, face the QR code directly to the camera and keep a distance of 15-20cm until you hear a prompt sound from the camera.

4. If you hear the prompt tone, please click the "Hear the prompt tone" button below to enter the page for adding devices.



11:54

Cancel

Enter Wi-Fi Password

XXXXXXXXXXXX

Password

Next



12:06

Cancel



Please scan the QR code from 15 to 20 cm away



No Prompts

I Heard a Prompt

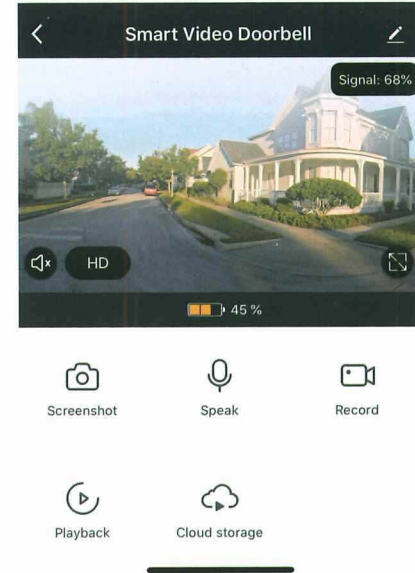
5. If the network configuration succeeded, the following page will be displayed.



Added successfully



6. The name of the camera can be changed. Click "Done" in the above image to enter the device operation page.

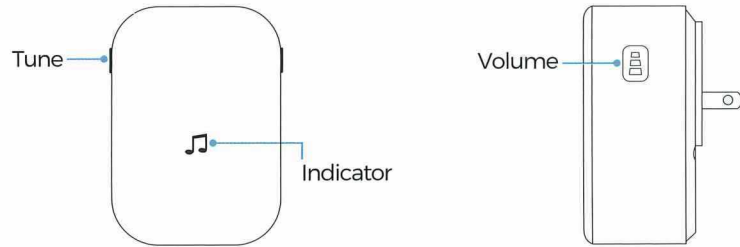


Attention!

- 1) This device is powered by Lithium polymer battery and is expected to be used for 5-8 months when fully charged. The app on your phone will have prompt if the battery is low. Please charge the device promptly after received the prompt.
- 2) Please make sure your device can receive WIFI signal while installing, especially outdoor installation. If WIFI is not available or signal weak, Please use WIFI signal amplifier to increase.
- 3) This device is a low-power smart product which supports remote wake-up by APP, PIR human body detection wake-up, wake up by doorbell.

it will enter hibernation automatically and guides the next wake-up after wake-up and working 30 seconds.

Overview of the wireless chime



Getting started

Set up your chime with the video doorbell

Step 1

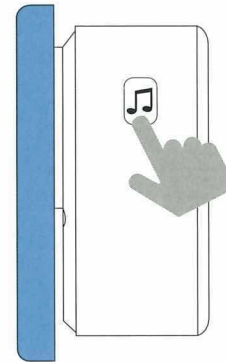
Before the setup process, be sure your video doorbell has connected to your phone and plug in your chime



19

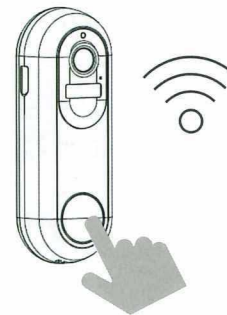
Step 2

Press the Tune Button to cycle through 52 different tunes and select a tune.



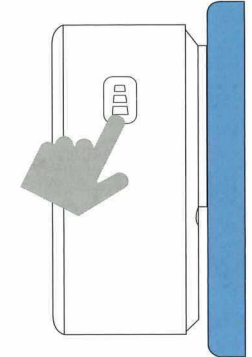
Step 4

Press the Call Button



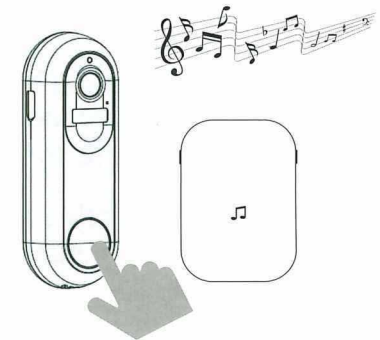
Step 3

Press and hold the Volume Button for 5 seconds until the blue indicator is ON.



Step 5

Press the Call Button again, the chime will automatically play the tune you selected.



20

Technical Specification

Resolution	1920*1080P
Field of Angle View	2.6mm @F2.0/155°
IR LED	6*850nm
Wi-Fi	802.11 b/g/n
Audio	Two-way talk with noise cancellation
Recording	TF card (Above C10 high speed brand card is needed)
Storage	Cloud Storage or 8~128GB TF card (No more than 32GB card is recommend)
Battery	2pcs 21700 batteries in doorbell
Monitoring	Motion Detection, Remote Live View
Notifications	Push Notifications within 1 second
Device Wakeup	Within 600 ms
Power Consumption	Power Consumption Standby 120 uA, Working 170 mA

Function Introduction



Two 21700 specification batteries work regularly for 5-8 months



Million HD Pixels with Ultra-thin 2.6MM Wide-Angle Lenses



Support waking up device by mobile phone within 1 second.



2.4G/5G Wi-Fi connection



High quality two-way talk with noise cancellation



Support PIR human body infrared detection. It will push alarm information to your mobile phone APP immediately when someone is at the door



Day and night mode can be switched automatically. The image is clearly and visible for your safety and family security no matter its day or night.

Q&A

Q: The device cannot connect to WIFI?

A: 1. Please confirm that the wireless network to be connected.

- 2. Make sure the indicator light is in the slow red light state**
- 3. The password is correct, make sure there is no extra spaces.**

Q: The device is online and there is a trigger event, but the mobile phone cannot receive the push message

A: The app on the mobile has turned on “self-starting” function and has enabled the notification function on application permission. Turn off “battery optimization” and turn off the function of end app when phones in standby (The mobile phone manufacturer's optimization method is inconsistent. Please take the actual situation as the standard.)

Q: What power supply mode does the device support?

- A: 1. The device can work with two 21700 battery alone(in doorbell)**
- 2. You can charge the device through USB**

Tip: There will be no further notification of any change of the above functions. Please take the actual object as the standard. Thanks!

Powered by



Intelligence
Inside