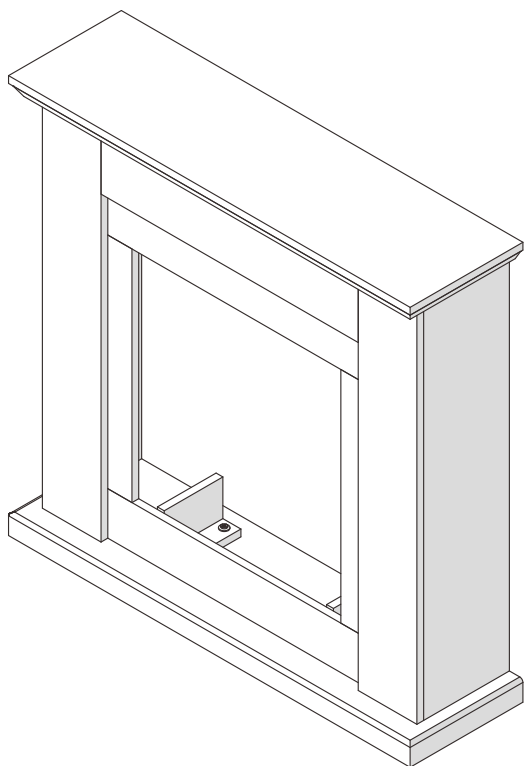


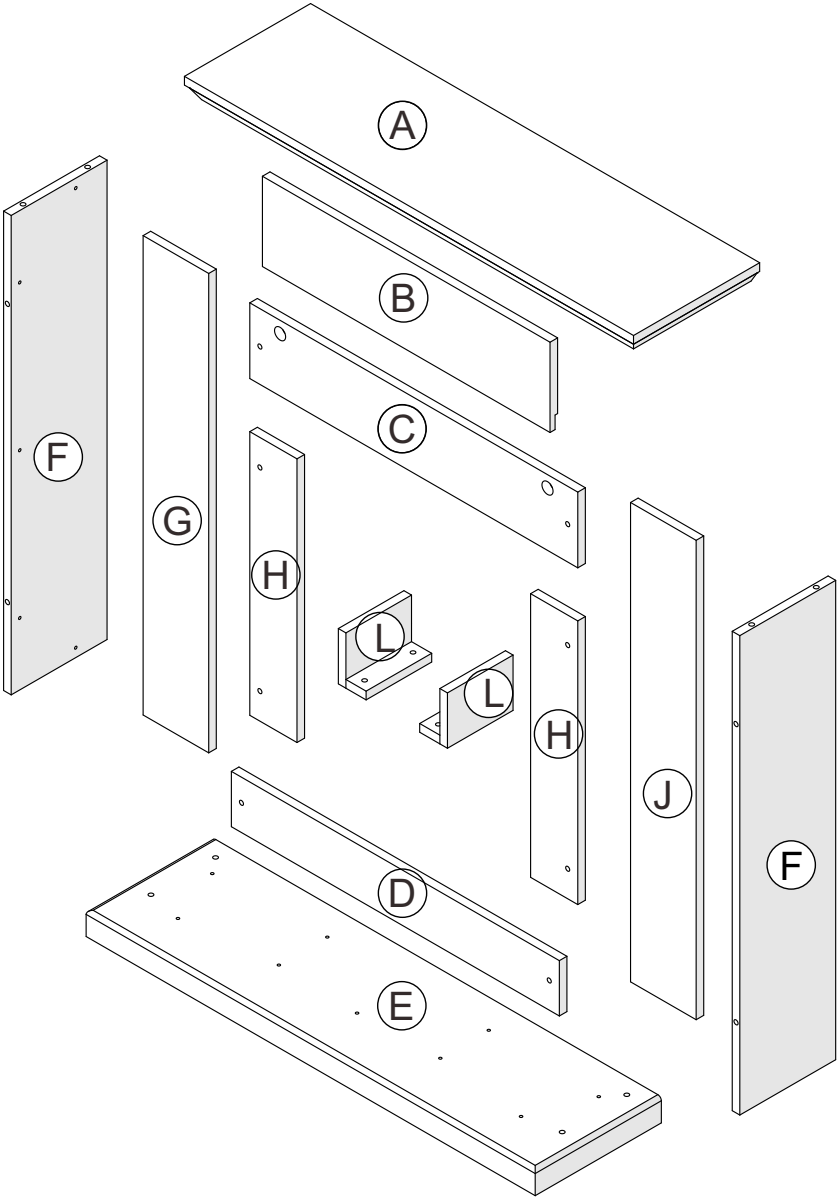
# FIREPLACE MANTEL

ASSEMBLY INSTRUCTIONS

**MT374B**



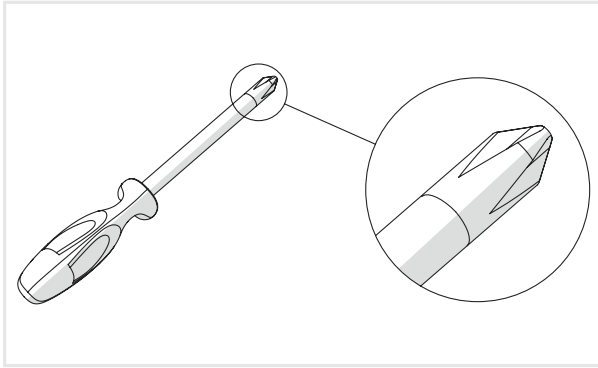
**PARTS LIST**


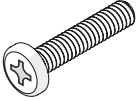
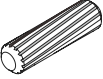
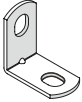
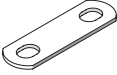




# PARTS AND ACCESSORIES

## Tools required:

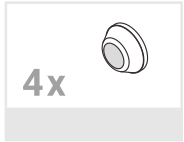
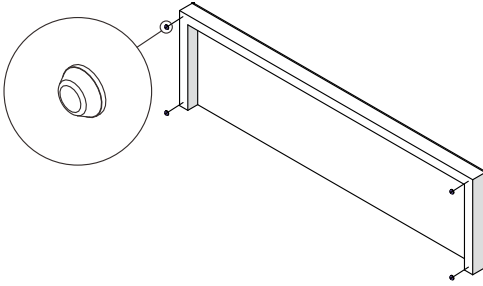
A screwdriver will be needed.



<b>MT374B</b>	 <b>39 x</b> M6x12mm	 <b>13 x</b> M6x28mm	 <b>13 x</b> ø 8x30mm
 <b>18 x</b>	 <b>3 x</b>	 <b>6 x</b>	 <b>13 x</b>

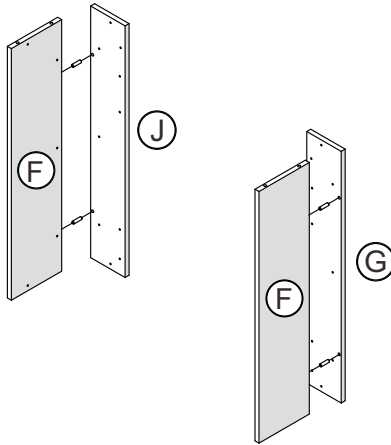
# ASSEMBLY INSTRUCTIONS

## 01



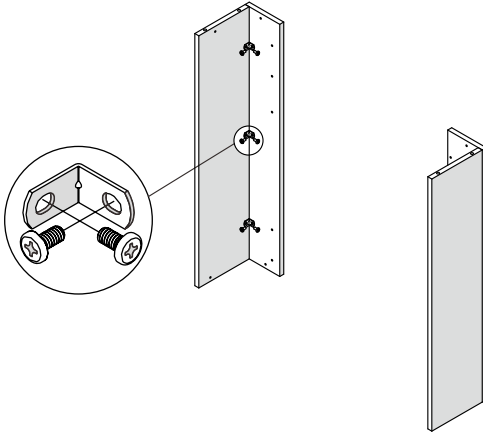
Carry out this assembly step on both sides

## 02



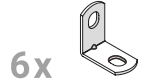
Carry out this assembly step on both sides

# 03



12x

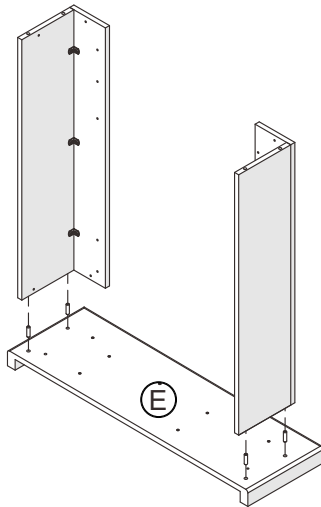
M6x12mm



6x

Carry out this assembly step on both sides

# 04

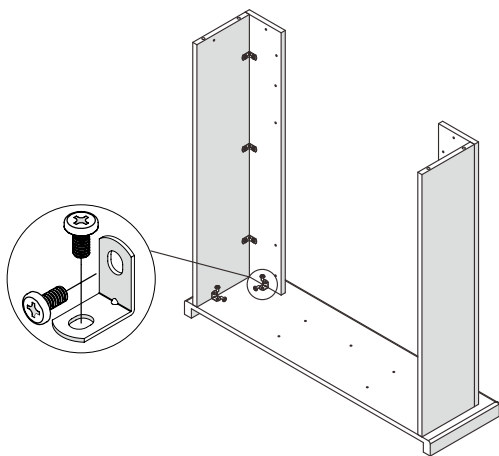


4x

ø 8x30mm

Carry out this assembly step on both sides

# 05



8x



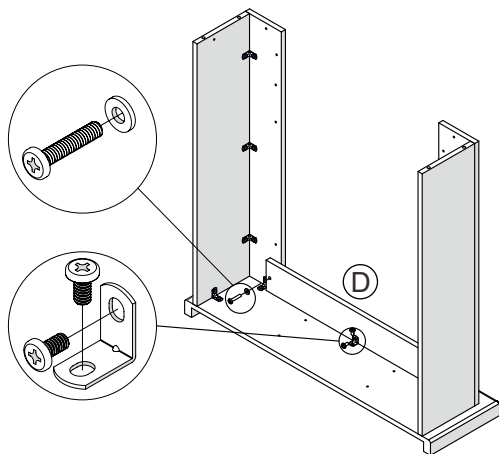
M6x12mm

4x



Carry out this assembly step on both sides

# 06



2x



M6x12mm

2x



M6x28mm

1x

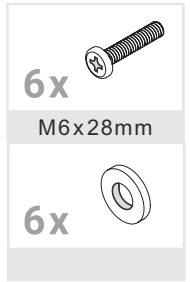
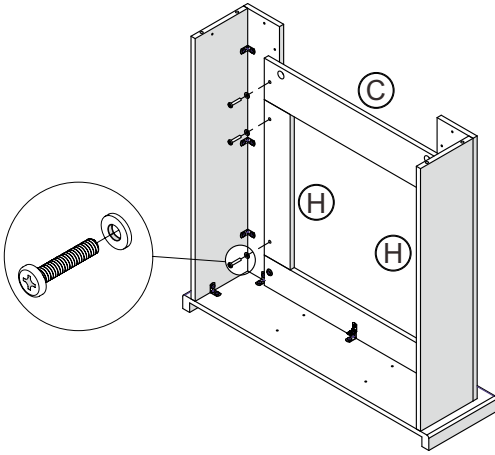


2x



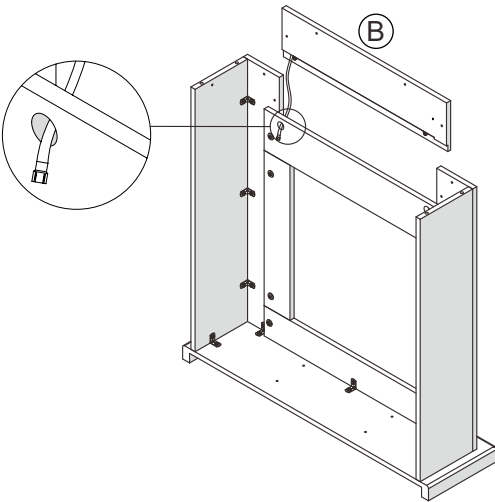
Carry out this assembly step on both sides

07

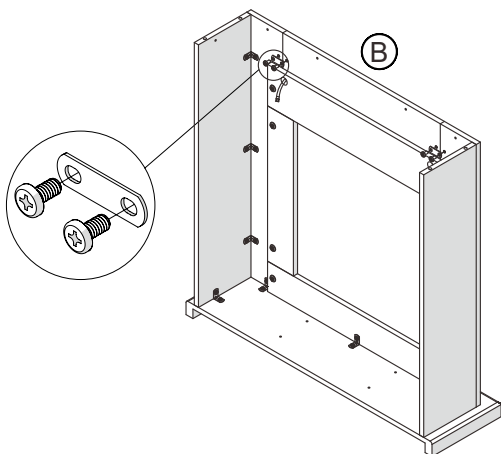


Carry out this assembly step on both sides

08



# 09



4x



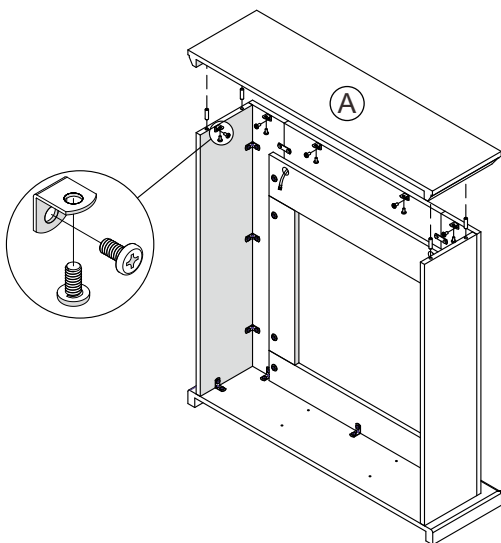
M6x12mm

2x



Carry out this assembly step on both sides

# 10



12x



M6x12mm

6x



4x

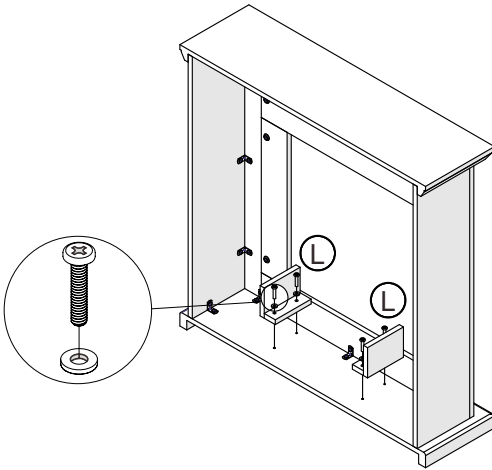


∅ 8x30mm

Carry out this assembly step on both sides



11



4x



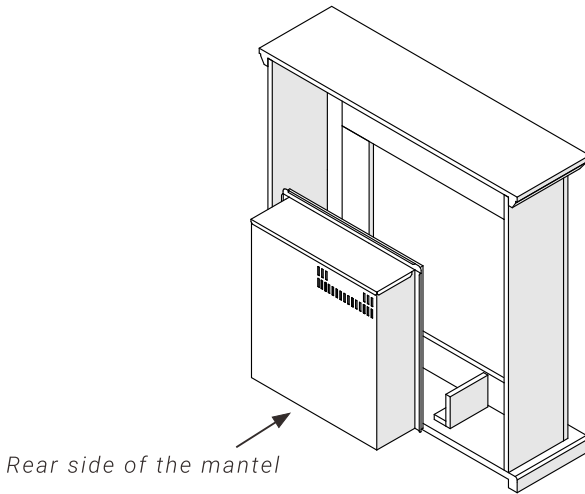
M6x28mm

4x



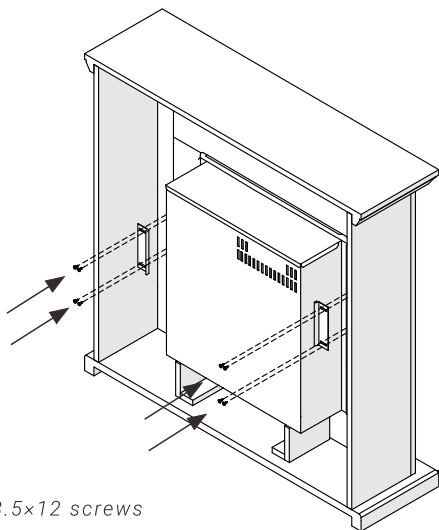
Carry out this assembly step on both sides

12



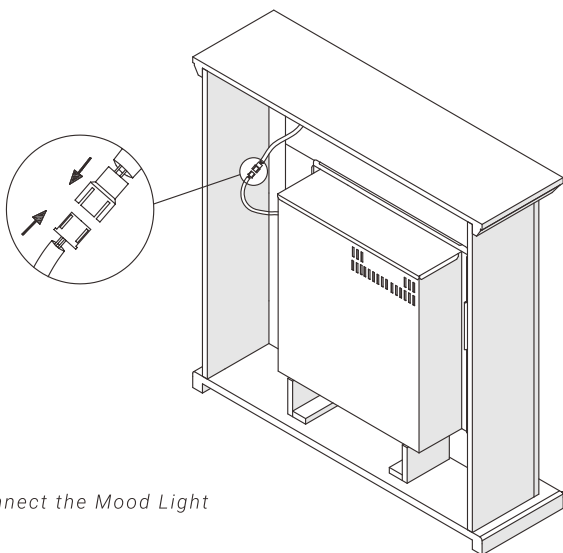
Rear side of the mantel

13



Use 8 pcs ST3.5x12 screws

14



Connect the Mood Light