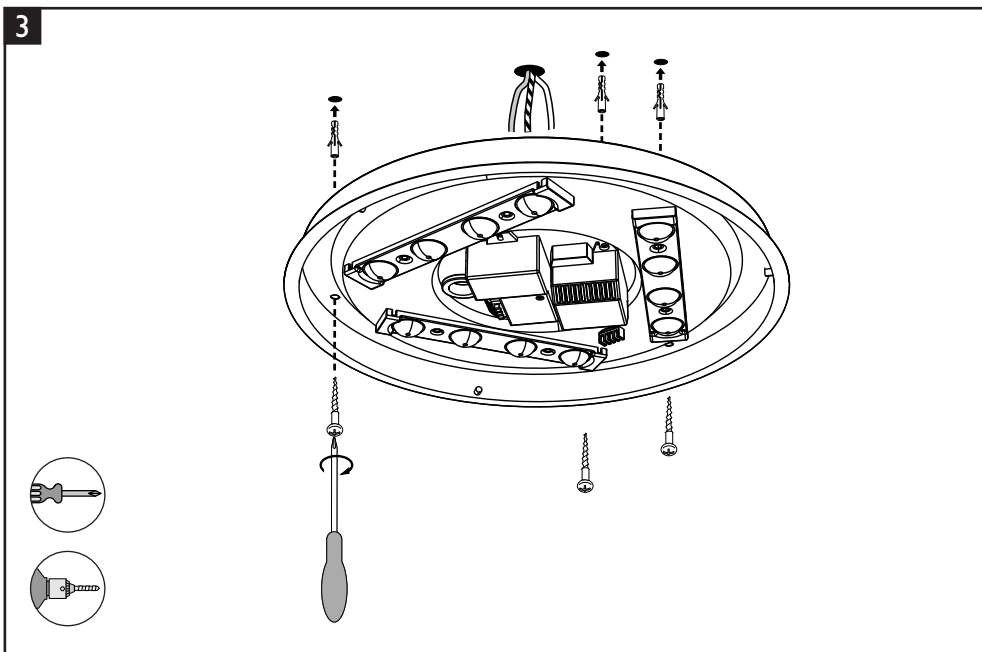
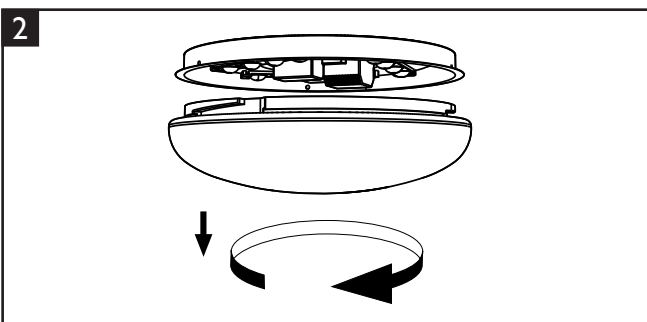
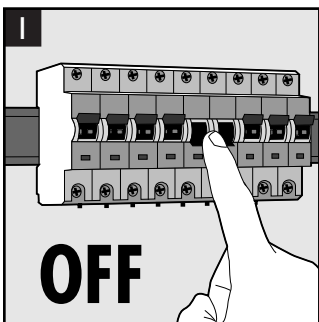
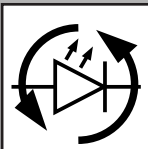
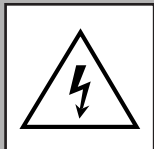
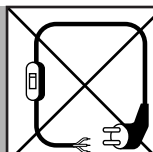
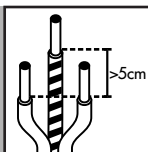
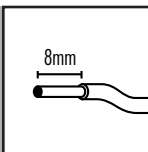
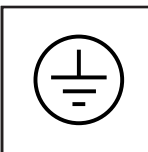
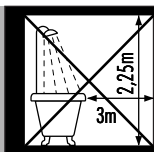
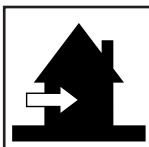
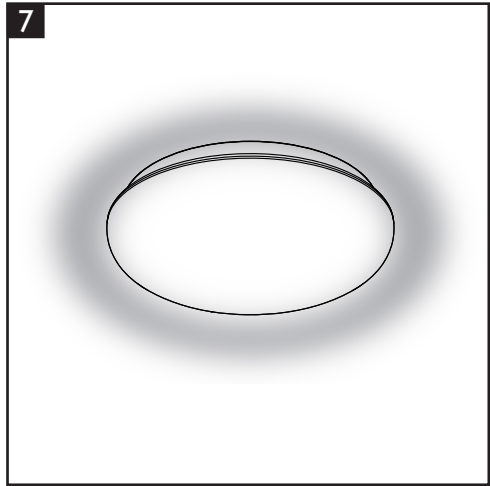
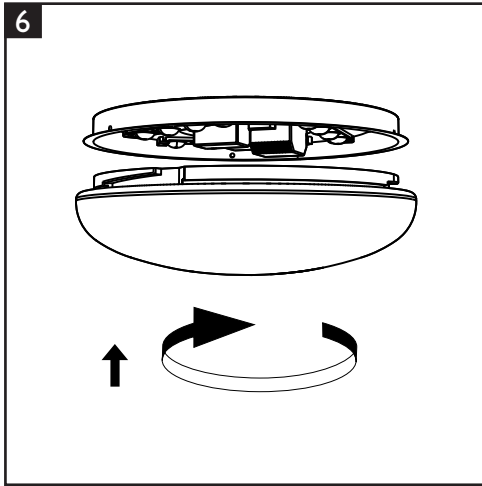
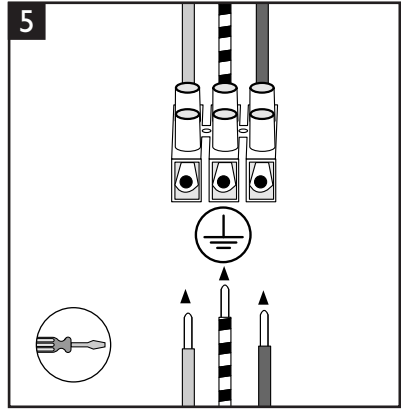
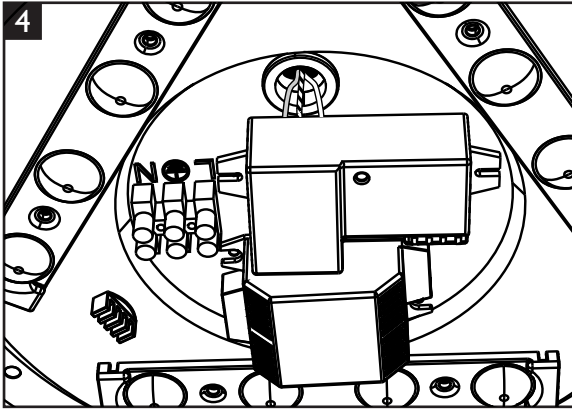




PHILIPS

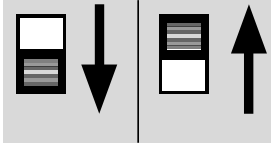


PHILIPS

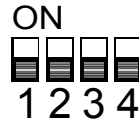
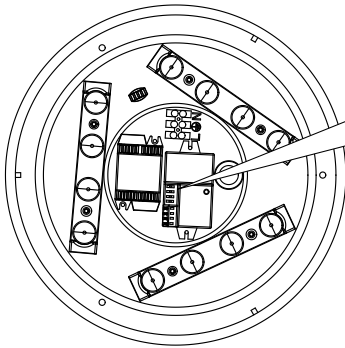
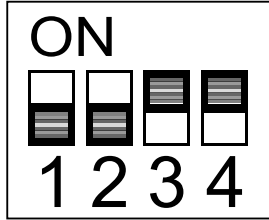


PHILIPS

DIP switch setting



Default Setting



1	Detection area	2	3	Hold Time	4	Daylight Sensor
	100%			5S		ENABLE
	50%			1min		DISABLE
				3min		
				10min		

Detection area (default 50%)
 Detection area can be increased by selecting 100% on the DIP switches to fit precisely each application.

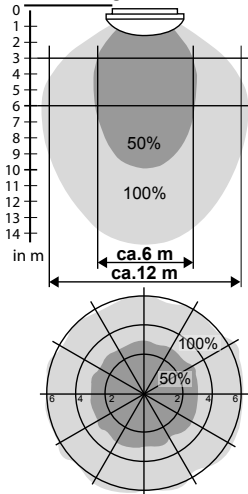
Hold time (default 3 min.)
 Refers to the time period the lamp remains at 100% illumination after no motion detected.

Daylight sensor (default enable mode)
 The sensor can be set to only allow the lamp to illuminate below a defined ambient brightness threshold (25lux). When set to disable mode, the daylight sensor will switch on the lamp when motion detected regardless of ambient light.

PHILIPS

Detection area

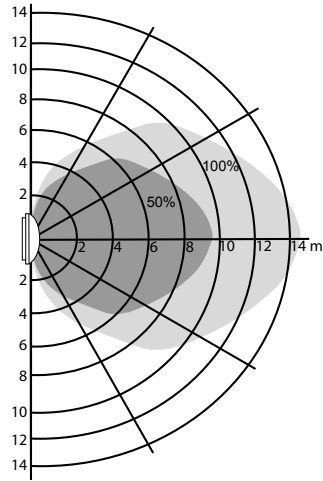
Detection range at ceiling mounting
detection angle 360°



Any movement within the detection area
can be detected and light will turn on.

Detection area

Detection range at wall mounting



Application Note

Multiple Luminaires – Ceiling Mounting & Wall Mounting

