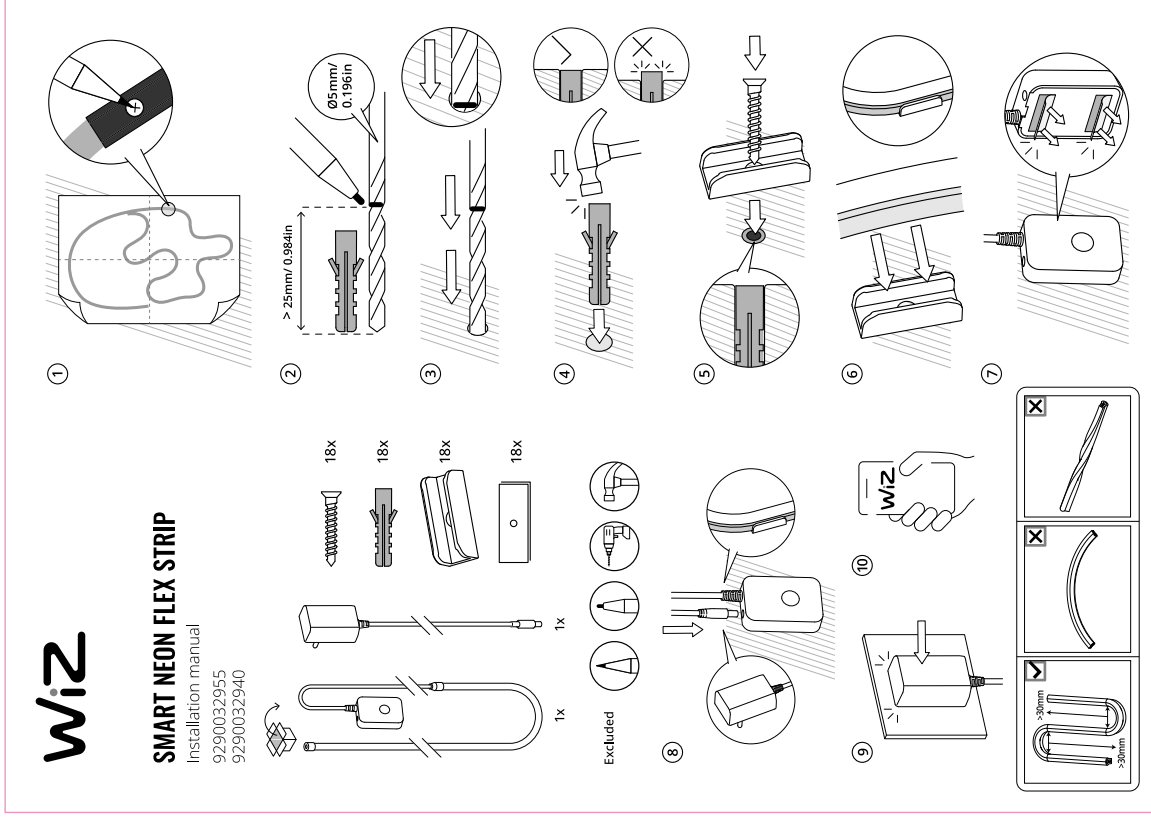


All rights are reserved. Reproduction in whole or part is prohibited without the written consent of the copyright owner.

Document Info	Code 12NC: 324166039351	Designer:	Duplexbox: 324166039351	Change Info	Author	Date	Change number	Revision description
	Description: WiZ neon flex strip 3m kit Type-C	Design date: 2023-01-06	EAN1 number: 8720169072510		SH SGS	2023/01/06		
Basic Info			Die-Cut: A4					
			Surface treatment: N/A					
			CRC: CRC000					



SIGNIFY	
Brand	WIZ
Product Family	LED
Shape	
Waitage	23
Template Ref.	N/A
SGS number	Z206250
12-NC.NBR	324166039351
Masterdrawing Ad	
CRC Ref.	CRC000
Barcode No.	8720169072510
Operator(s)	Polly.patt
VERSION No.	v2
Date in	
Date amended	20230110
Date Check	
<input type="checkbox"/> Check briefing Traffic	
Artwork document	
<input type="checkbox"/> Legend	<input type="checkbox"/> Number of colors
<input type="checkbox"/> 12NC	<input type="checkbox"/> Trapping/Bleed
<input type="checkbox"/> Barcode	<input type="checkbox"/> Images hires
<input type="checkbox"/> Diecut	<input type="checkbox"/> Jobsizes
Approval	
<input type="checkbox"/> QC Lithographer	SGS Shanghai Production
<input type="checkbox"/> Product Manager	zhang.li@signify.com
<input type="checkbox"/> Traffic Manager	Joanna.Wu

DISCLAIMER:	Please note that the original artwork cannot be fully SGS SGS only made change on specific content as listed in below. Therefore, SGS does not hold any responsibility for other content in this file. If you have any questions regarding the artwork, please contact with Philips Lighting E.C.C accordingly.
Author/作者	Revision description/更改描述
Polly	Follow ppt to create base on supplied file
Polly	Follow DF comments to amend

Acrobat PDF View Setting
确保PDF显示正确，请按以下设定叠印预览：

