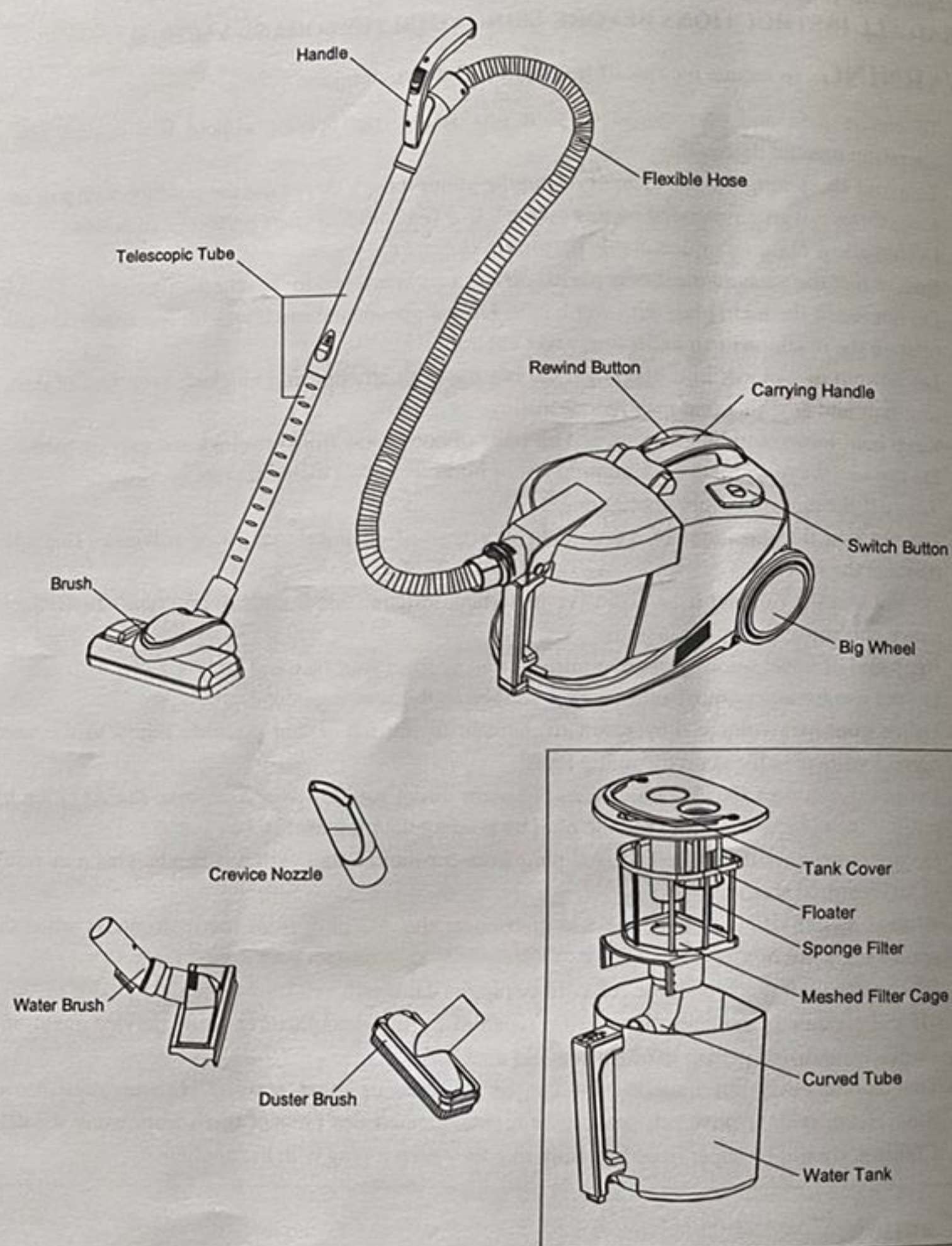


Part and Accessories Index

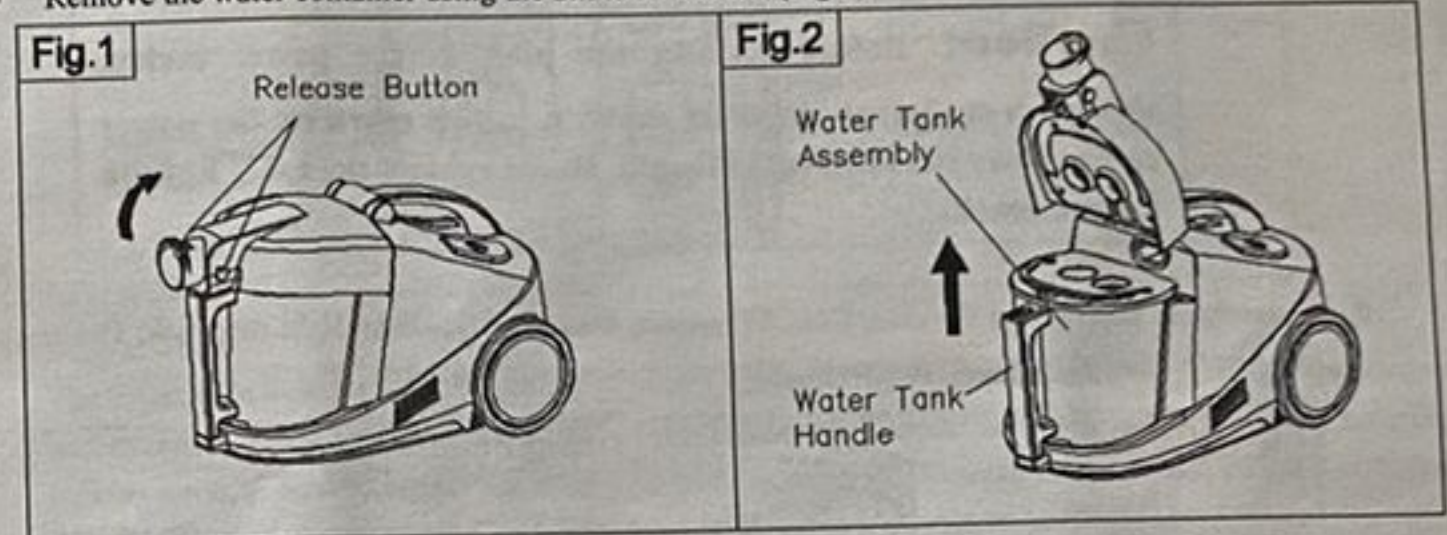


3

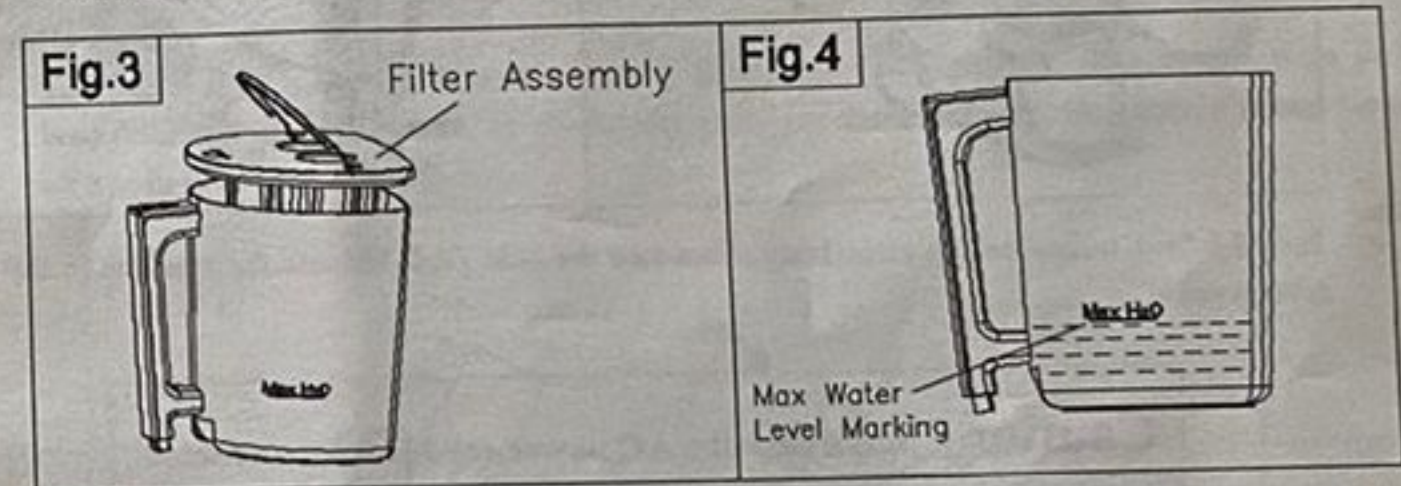
Preparation Before Use

1. Setting Up the Product

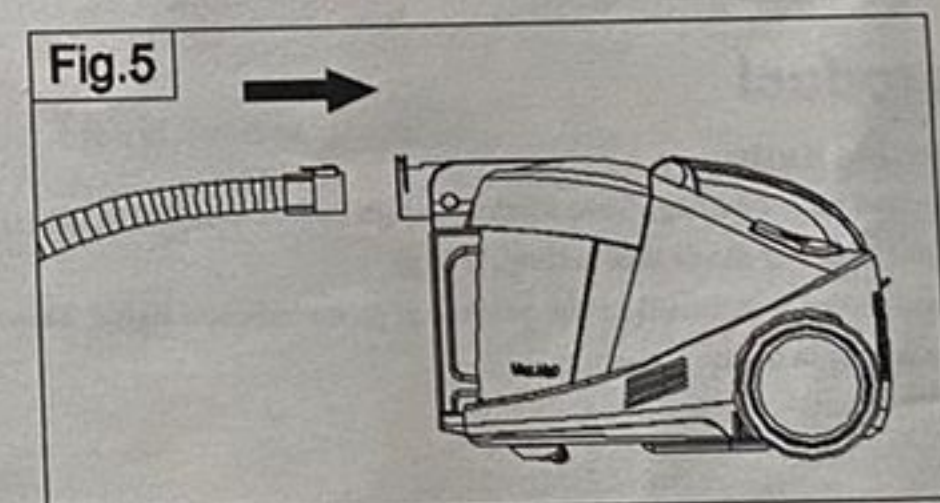
- Push the release button and rotate the front cover upwards. (Fig.1)
- Remove the water container using the attached handle. (Fig.2)



- Remove the filter assembly from the water container. (Fig.3)
- Fill the container with tap water to 'Max Water Level' indicated on the side of the container. This is about 0.8 litres. Please ensure the container is not overfilled. (Fig.4)



- Assemble the water container back to the body. Close and lock the cover. The locking mechanism will "Click" when locked.
- Insert the flexible hose into the hose socket. (Fig.5)



- Connect the telescopic tube to the flexible hose

4