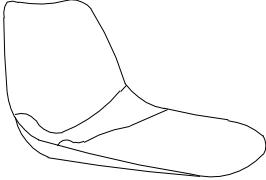
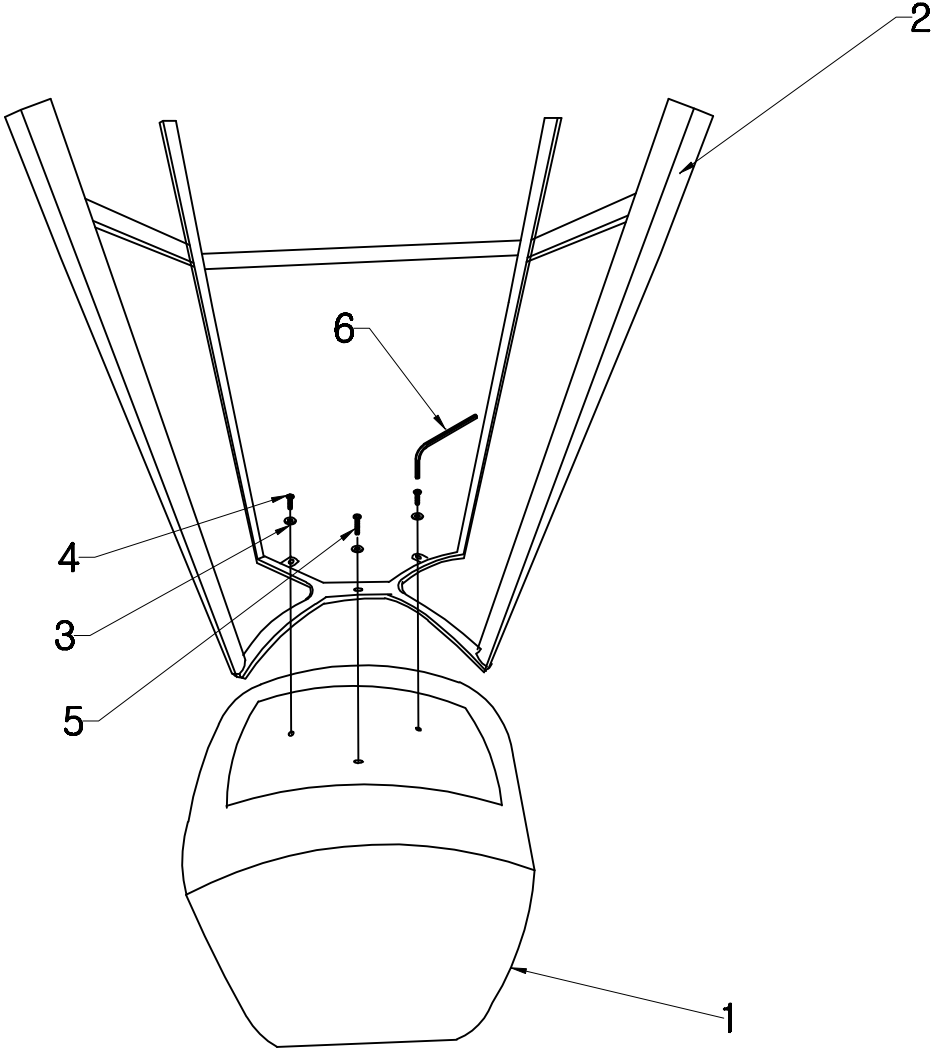
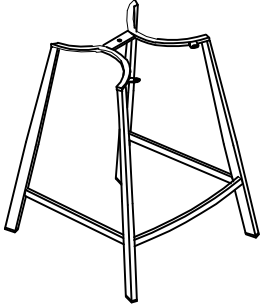

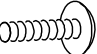
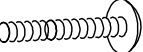





| Accessories | | COUNTER STOOL FRANKY Assembly Instruction | |
|-------------|---|---|---------------|
| 1 |  |  | 1PC |
| 2 |  | | 1PC |
| 3 |  | | 3PCS |
| 4 |  | | 2PCS M6*15 |
| 5 |  | | 1PC M6*25 |
| 6 |  | | 1PC |

