



# SPEED CHAMPIONS

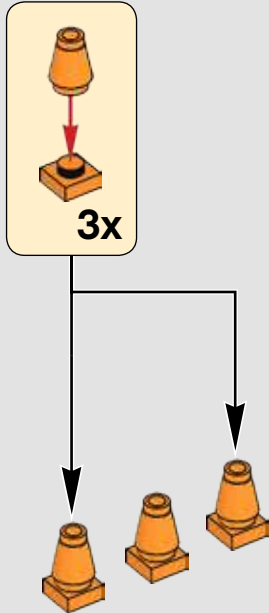
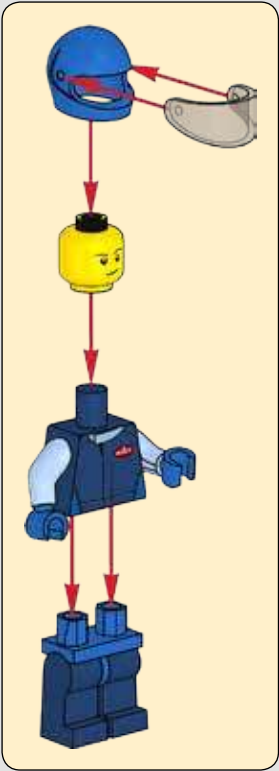
75878

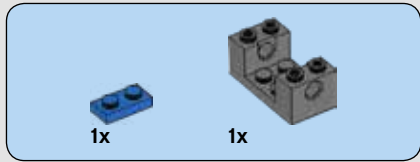


[LEGO.com/speedchampions](https://www.lego.com/speedchampions)

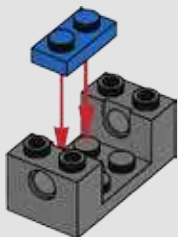




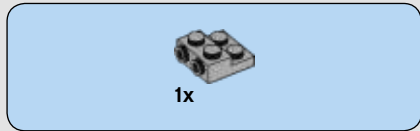




1

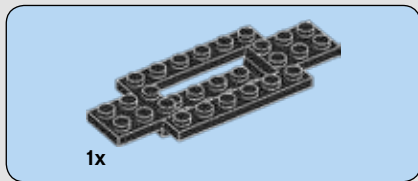


4

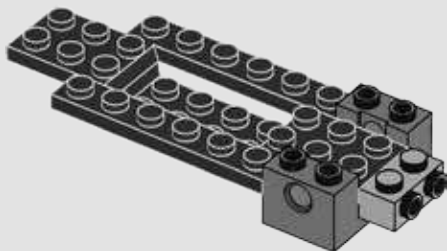


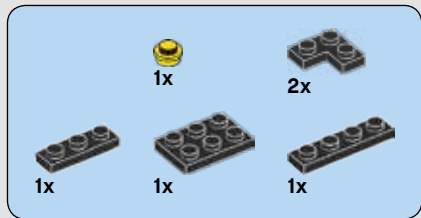
2



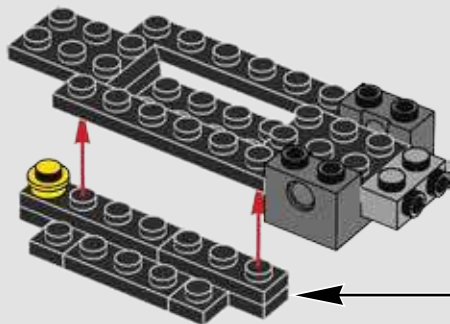
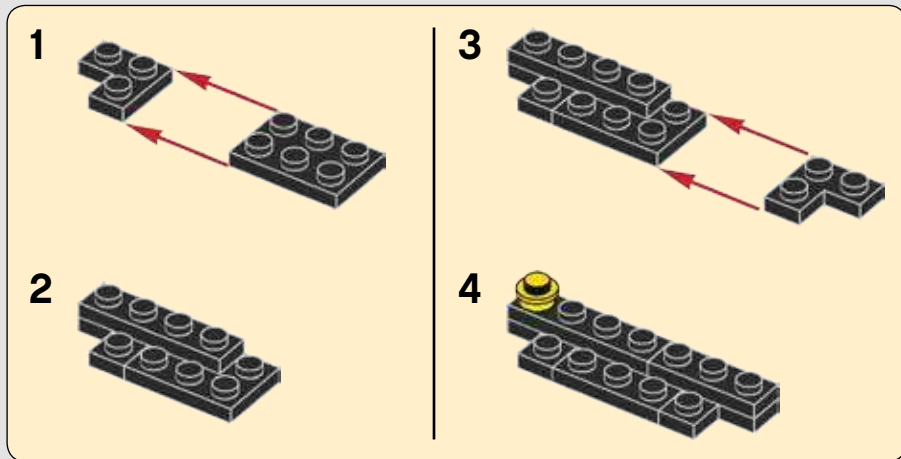


**3**





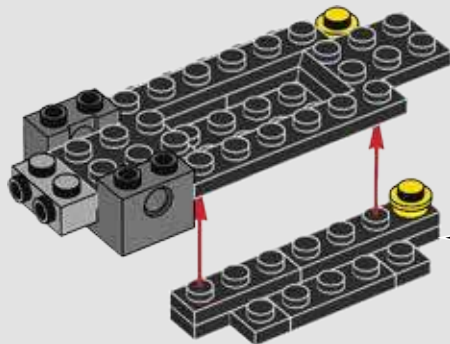
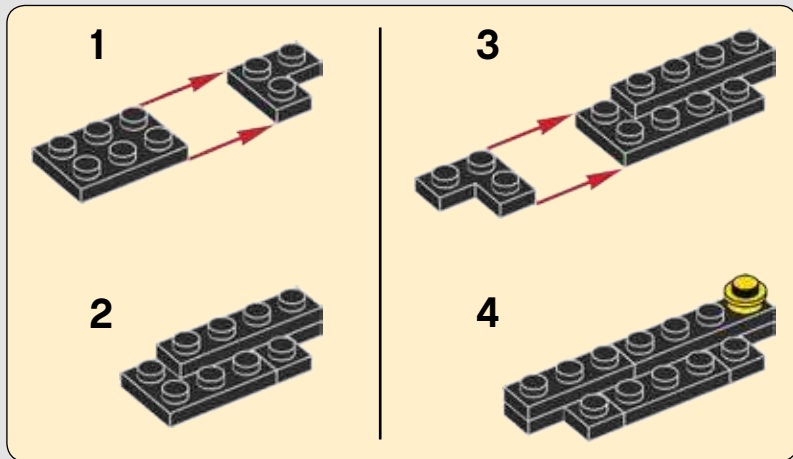
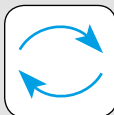
4

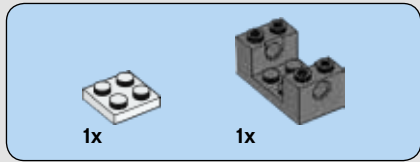


6

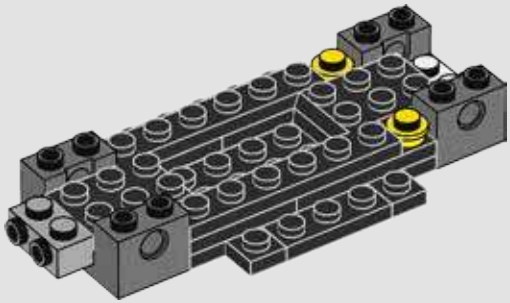
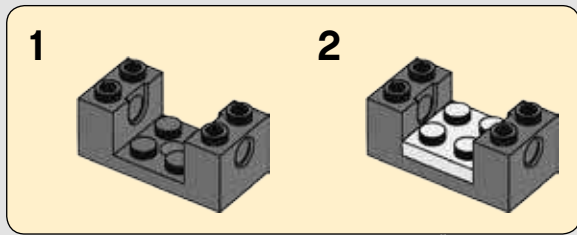


5

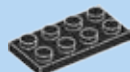
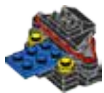




6

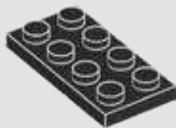






1x

7

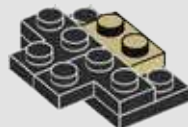


2x



1x

8



1x



2x

9



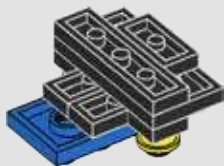
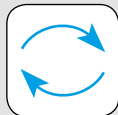


1x



1x

# 10

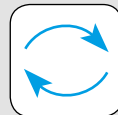


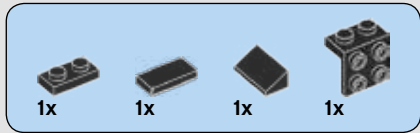
1x



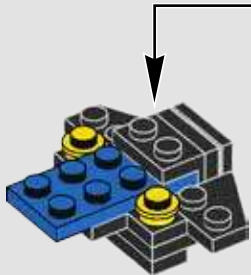
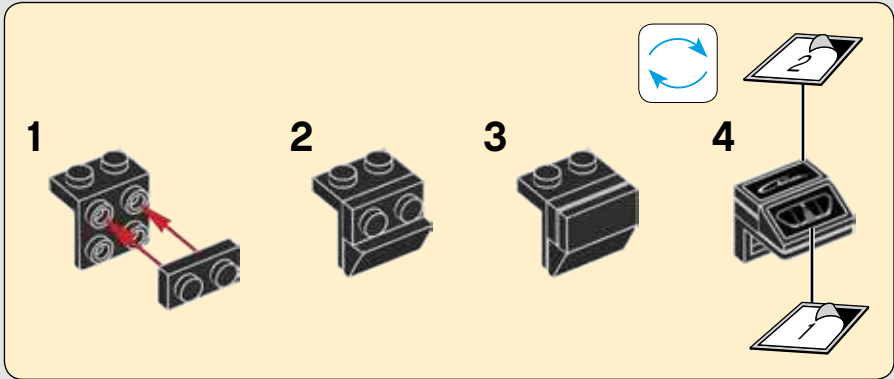
1x

# 11



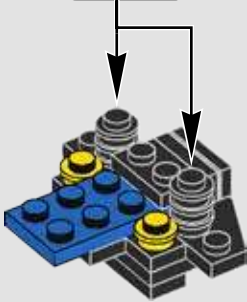
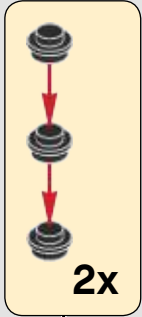


12



6x

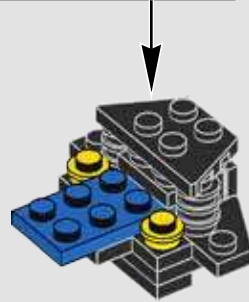
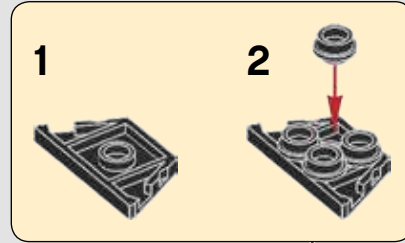
13

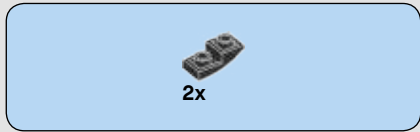


4x

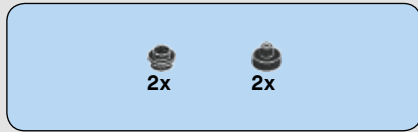
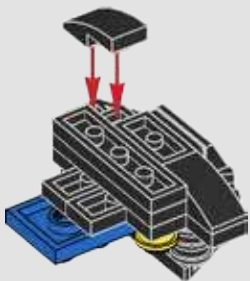
1x

14

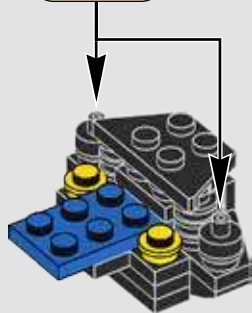
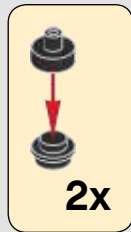
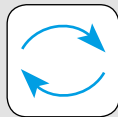




15



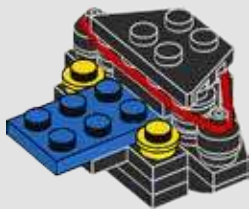
16





1x

17

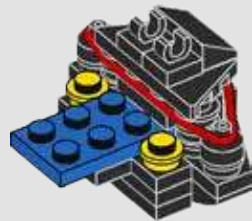


1x

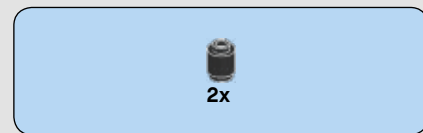
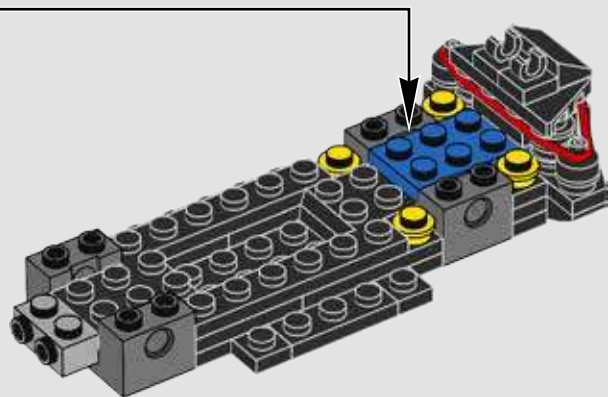


2x

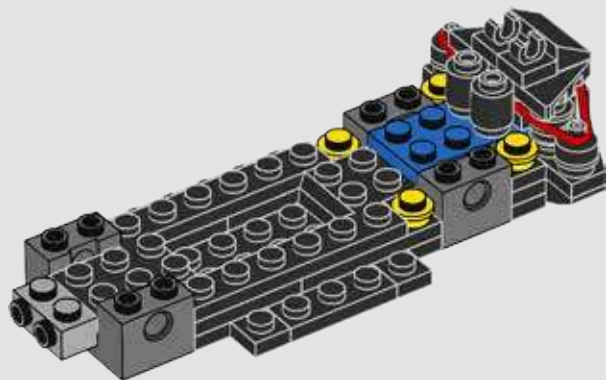
18



19



20



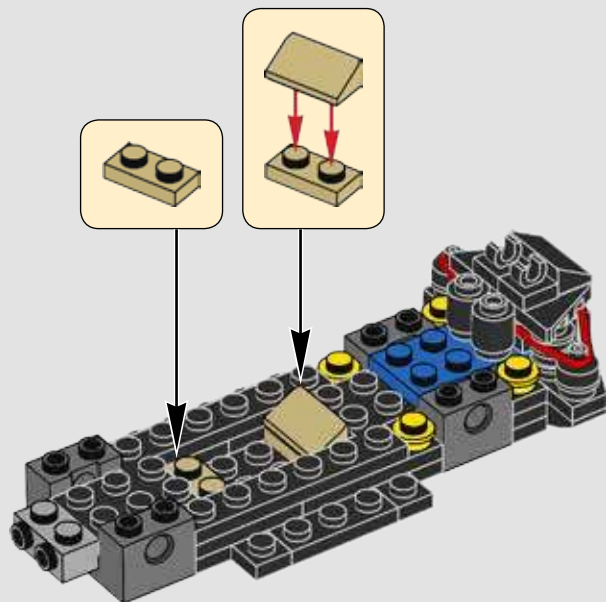


2x



1x

# 21

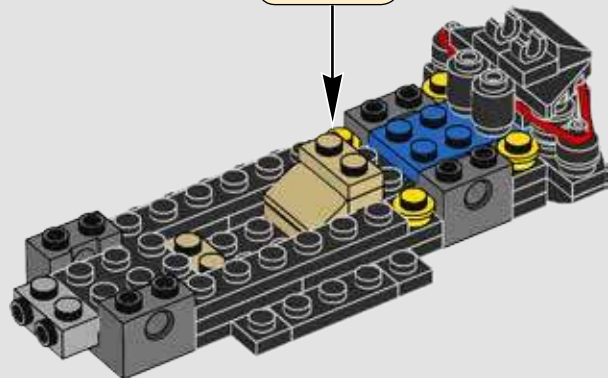
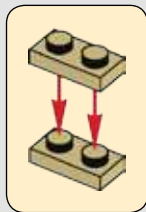






2x

# 22

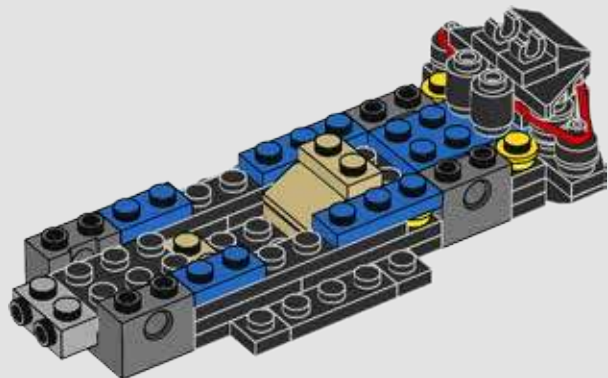


2x



2x

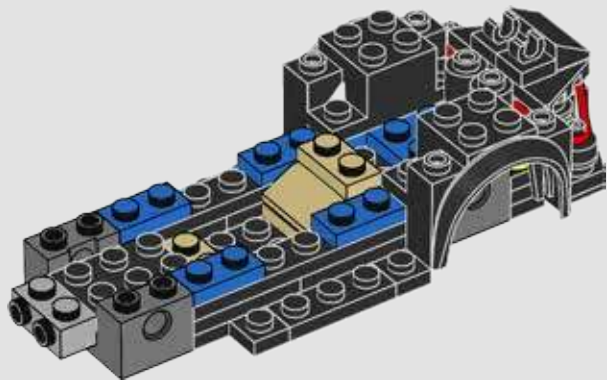
# 23

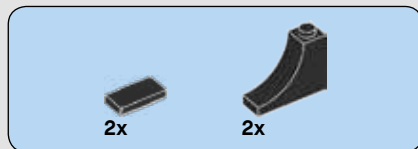




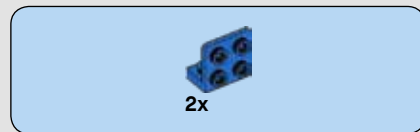
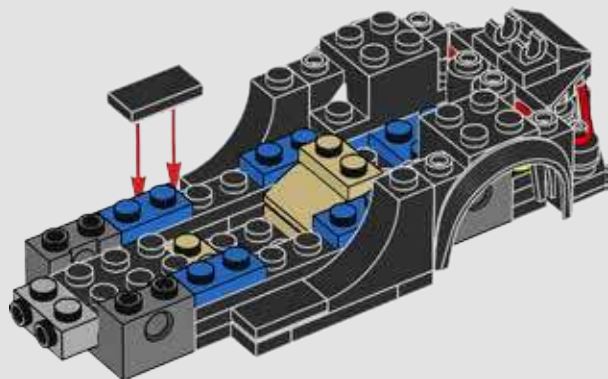
2x

24

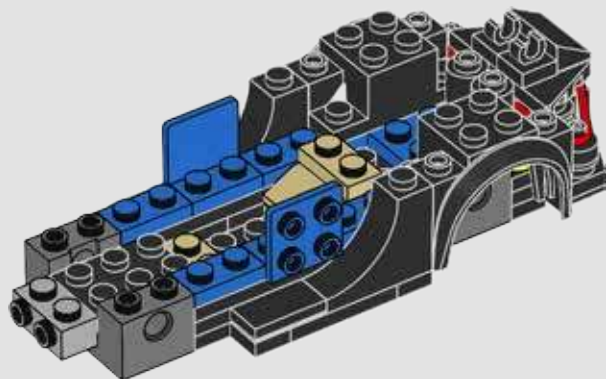




25



26



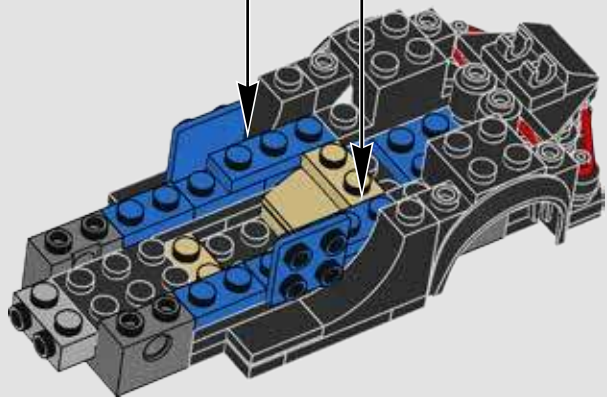


2x

27



2x



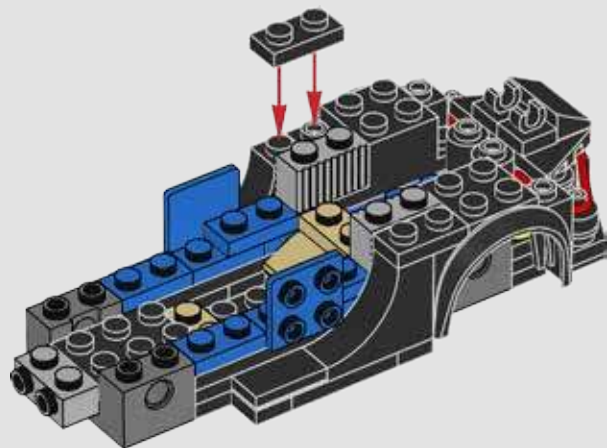


2x



2x

# 28

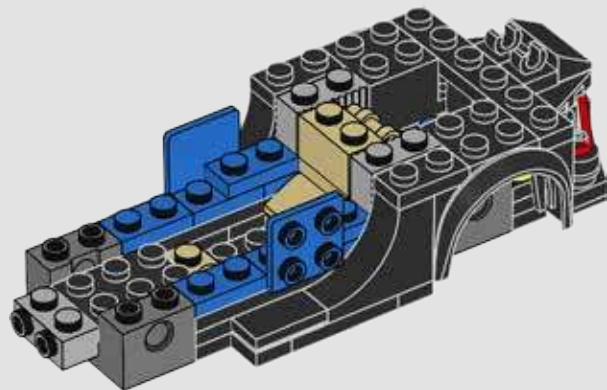


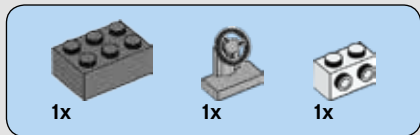
1x



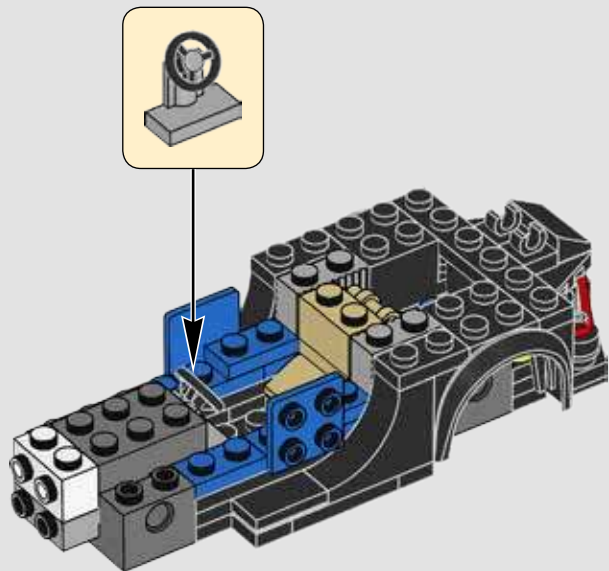
1x

# 29





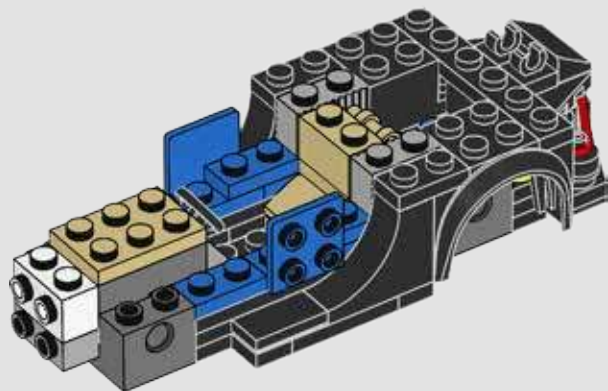
30





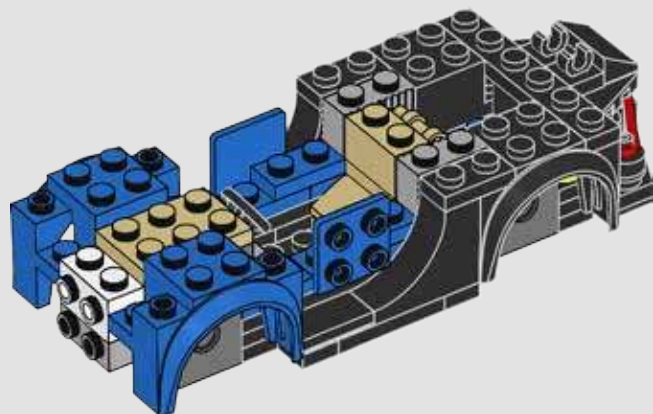
1x

31



2x

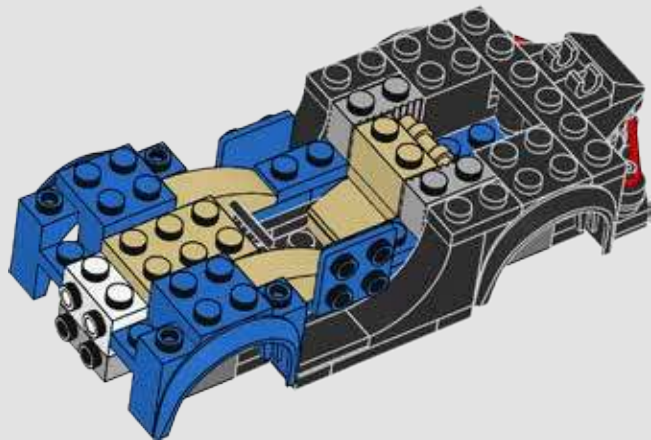
32





2x

33





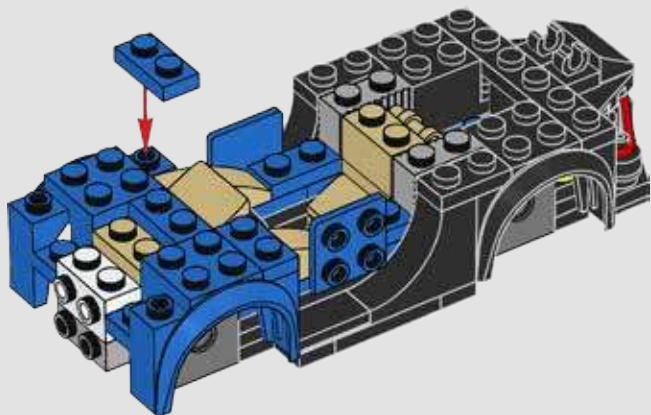


3x



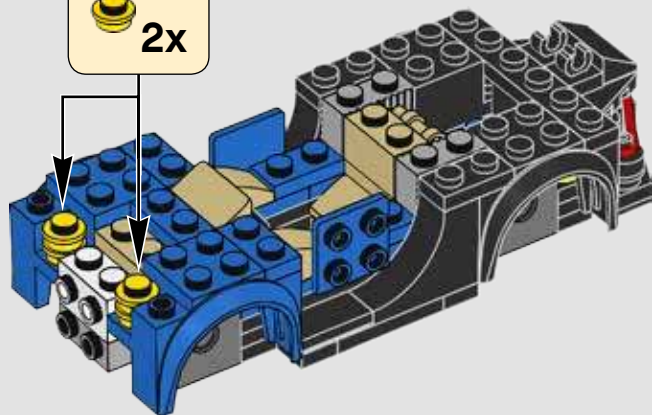
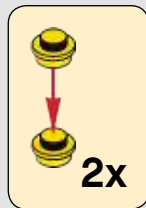
1x

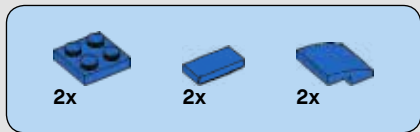
# 34



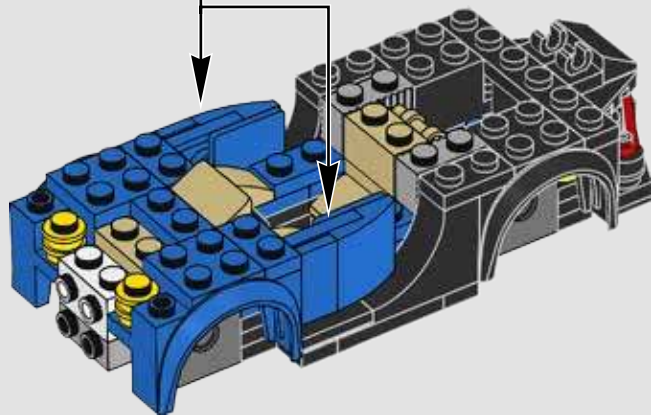
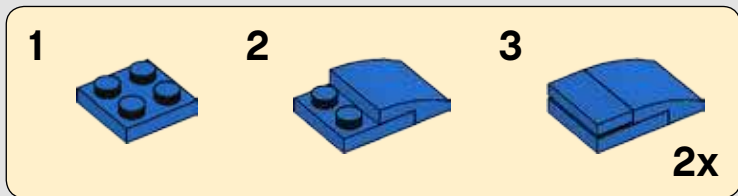
4x

# 35





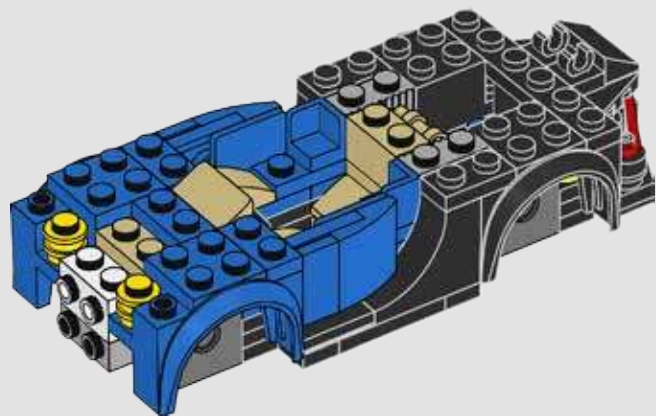
36





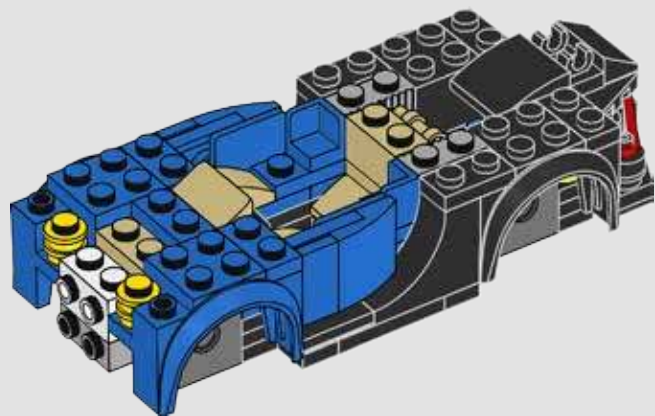
2x

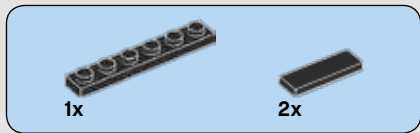
37



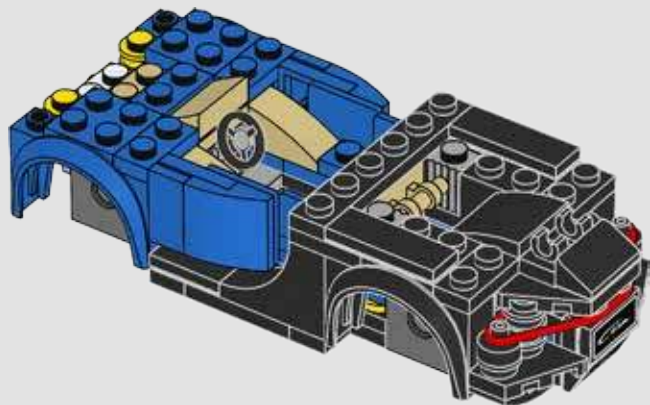
1x

38

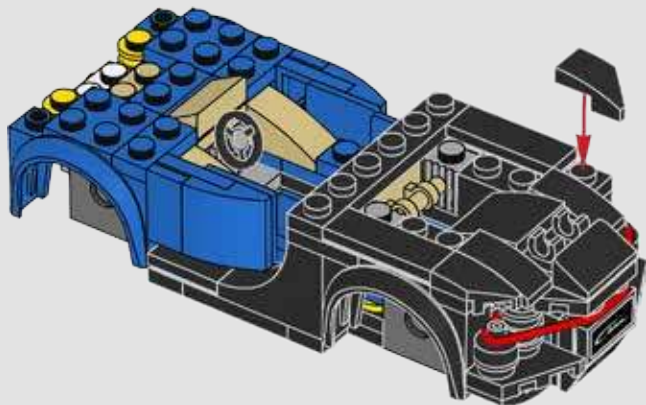




39

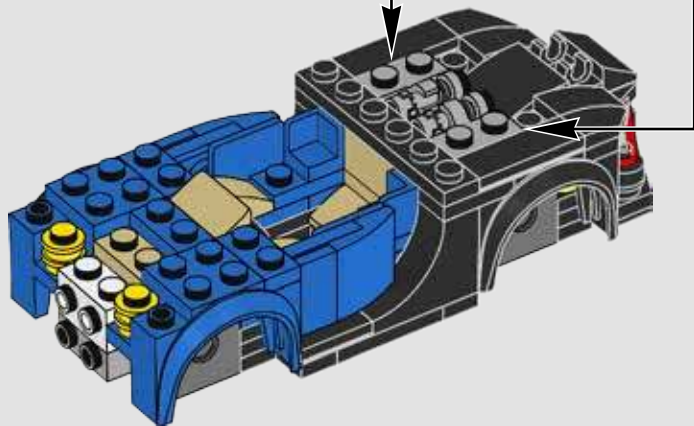
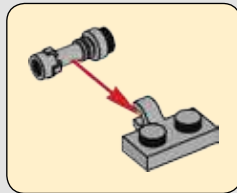
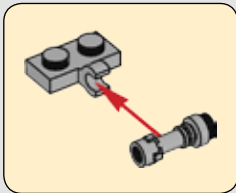


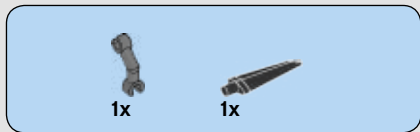
40



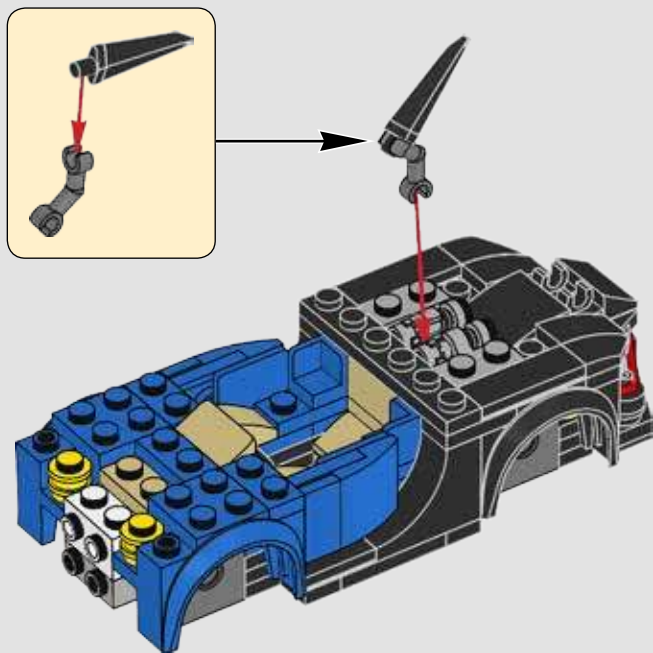


41





42





2x

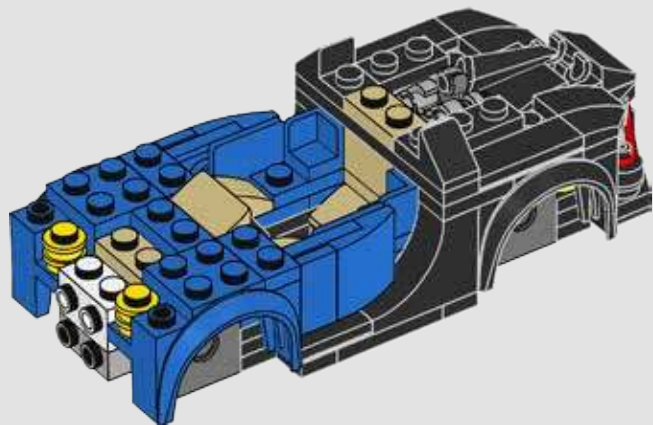


1x



2x

# 43

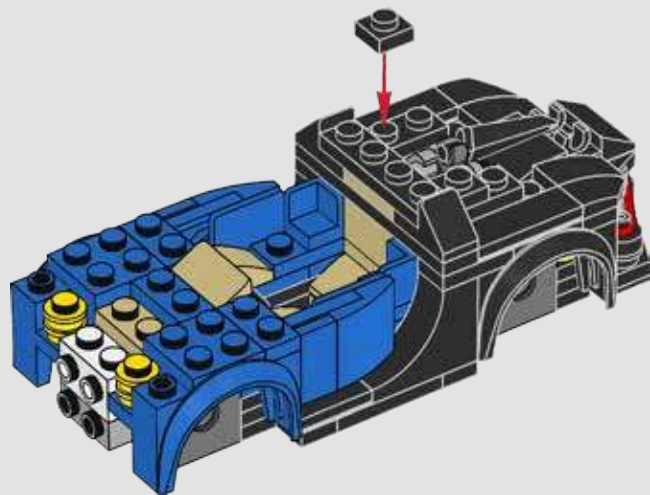


2x



1x

# 44



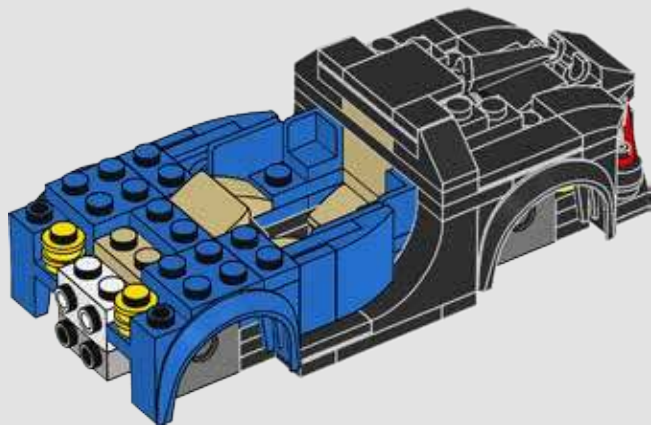


1x



2x

45

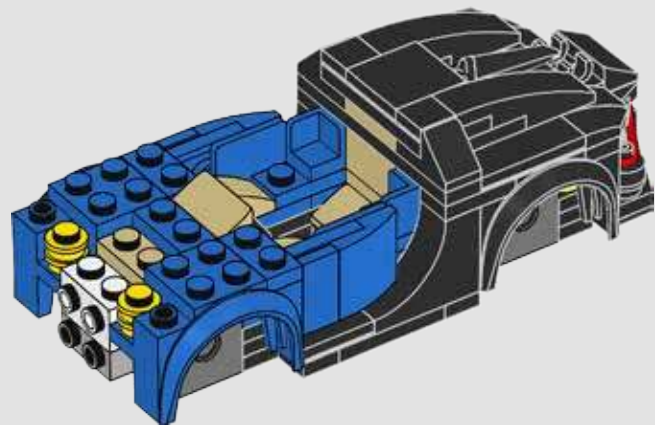






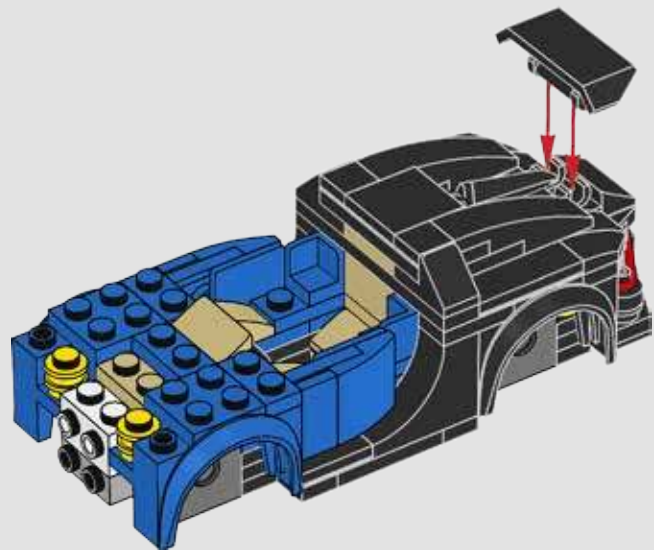
2x

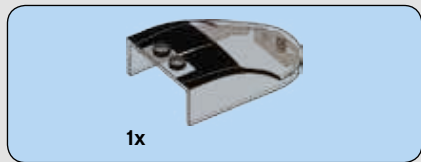
46



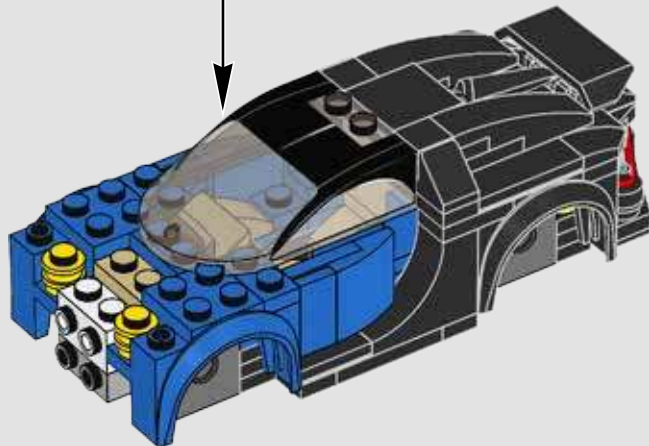
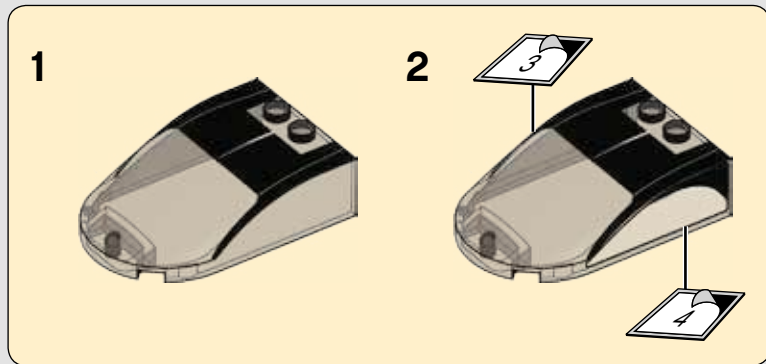
1x

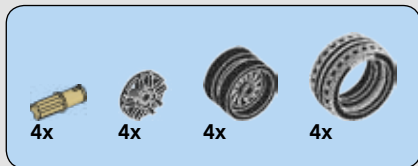
47



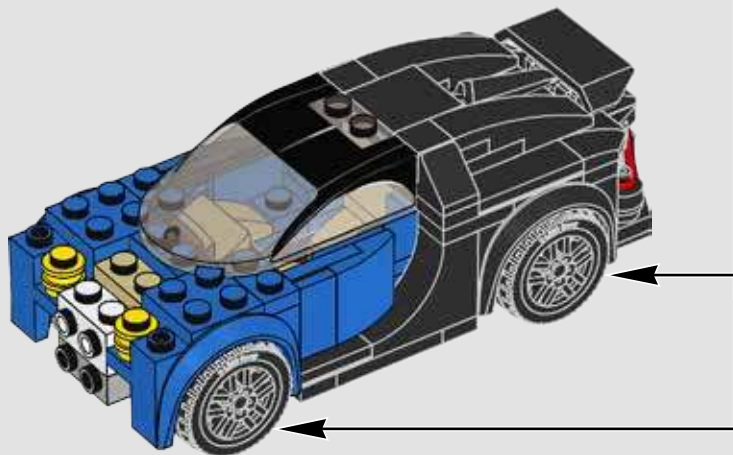
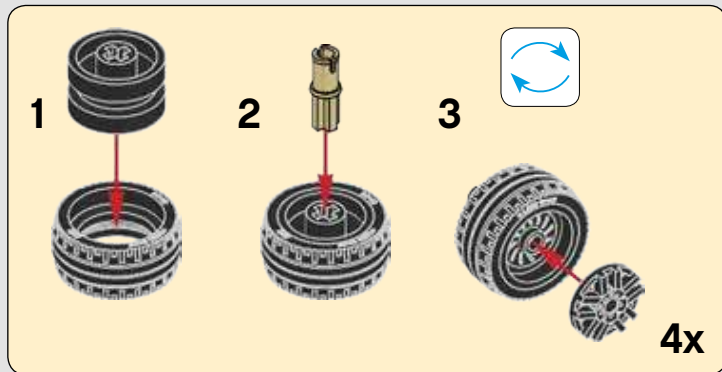


48





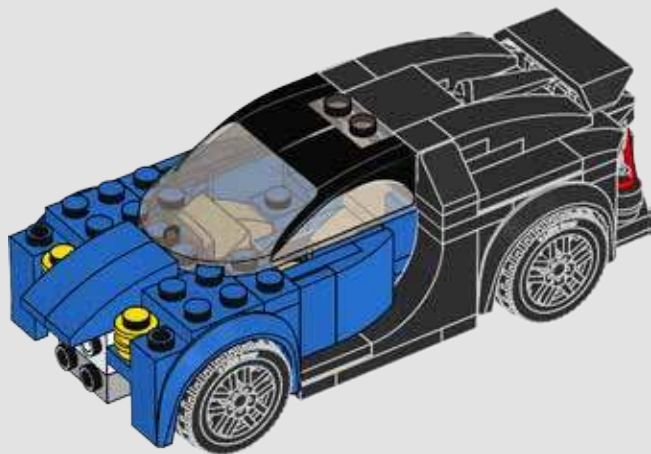
49





2x

50





2x

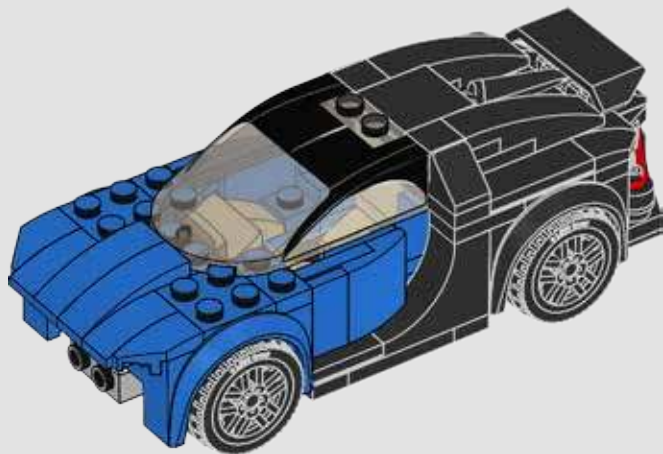


1x



1x

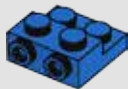
# 51





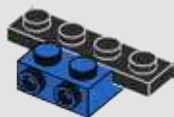
1x

52



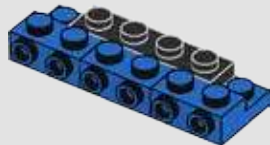
1x

53



2x

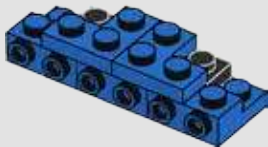
54





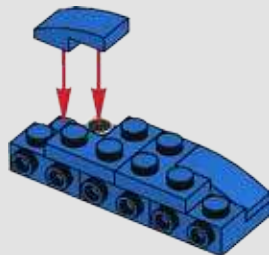
2x

55

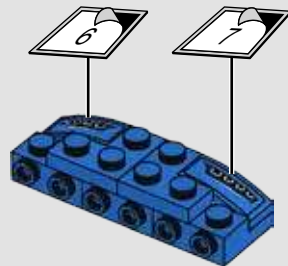


2x

56



57



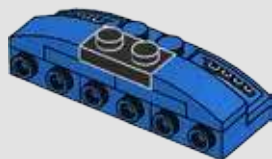


1x

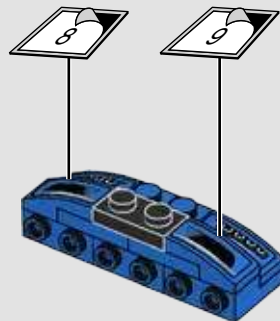


2x

58



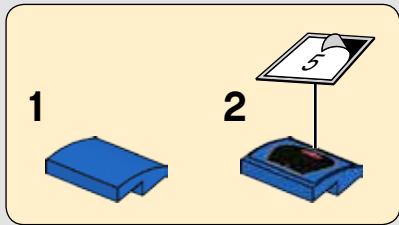
59



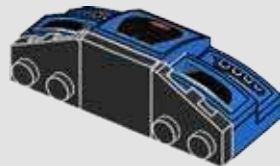




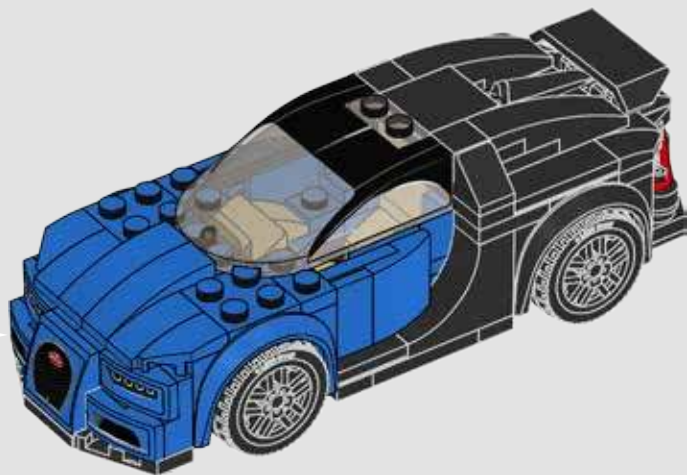
60

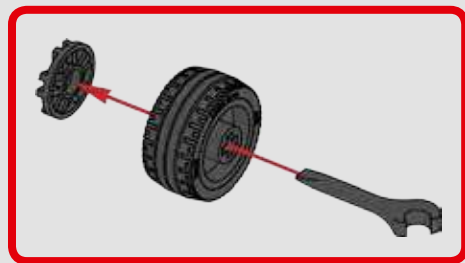
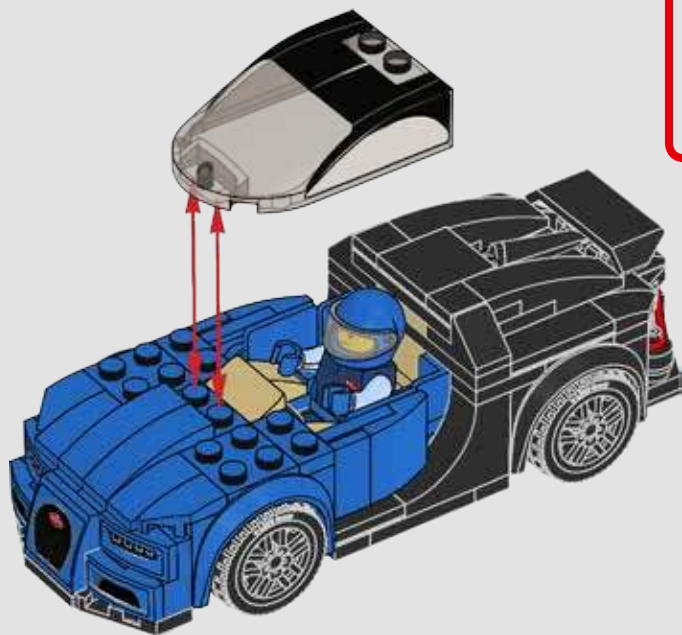


61



62







# SPEED CHAMPIONS



## WATCH COOL VIDEOS AT [LEGO.COM/SPEEDCHAMPIONS](http://LEGO.COM/SPEEDCHAMPIONS)



**AMG  
PETRONAS**  
FORMULA ONE TEAM

The Bugatti logo and Bugatti wordmark are trademarks of Bugatti International S.A. and are used under license.  
Produced under license of Ferrari S.p.A. The name FERRARI, the PRANCING HORSE device, all associated logos and distinctive designs are property of Ferrari S.p.A. The body designs of the Ferrari cars are protected as Ferrari S.p.A. property under design, trademark and trade dress regulations.  
Ford Motor Company Trademarks and Trade Dress used under license to the LEGO Group.  
"Mercedes-Benz" and the design of the enclosed product are subject to intellectual property protection owned by Daimler AG. They are used by The LEGO Group under license.  
Manufactured under licence from Mercedes-Benz Grand Prix Limited. All logos featured on the livery and tyres are used with the permission of their respective owners all of whom reserve their respective rights in the same.  
LEGO and the LEGO logo are trademarks of the LEGO Group. ©2017 The LEGO Group.

Watch cool videos at [LEGO.com/speedchampions](http://LEGO.com/speedchampions)  
Cooler Videos gibt es auf [LEGO.com/speedchampions](http://LEGO.com/speedchampions)  
Regarde des vidéos super cool sur [LEGO.fr/speedchampions](http://LEGO.fr/speedchampions)  
Guarda fantastici video su [LEGO.it/speedchampions](http://LEGO.it/speedchampions)  
Descubre fantásticos videos en: [LEGO.com/speedchampions](http://LEGO.com/speedchampions)  
Vé vídeos fantásticos em [LEGO.com/speedchampions](http://LEGO.com/speedchampions)  
Nézz menő videókat itt: [LEGO.com/speedchampions](http://LEGO.com/speedchampions)  
更多酷炫视频, 请登录 [LEGO.com/speedchampions](http://LEGO.com/speedchampions)



# SPEED CHAMPIONS



75881



75877



75882



75879



75878



75883



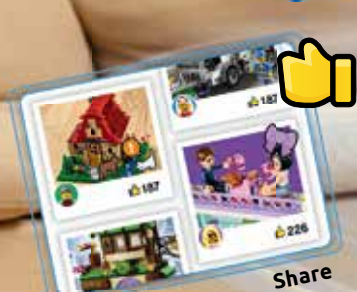




All your LEGO® fun in one app



Minifigure yourself



Share



Create



Check availability of LEGO LIFE in your country now on [LEGO.com/life](http://LEGO.com/life)  
Ask parents' permission first.

Controlla la disponibilità di LEGO LIFE nel tuo paese su [LEGO.com/life](http://LEGO.com/life)  
Chiedere prima il permesso ai genitori.

Apple and the Apple logo are trademarks of Apple Inc., registered in the U.S. and other countries. App Store is a service mark of Apple Inc. Google Play is a trademark of Google Inc.

Auf [LEGO.com/life](http://LEGO.com/life) erfährst du jetzt, ob LEGO LIFE in deinem Land verfügbar ist  
Bitte frage erst deine Eltern um Erlaubnis.

Consulta si LEGO LIFE está disponible en tu país en [LEGO.com/life](http://LEGO.com/life)  
Pide antes permiso a tus padres.

Ellenőrizd a LEGO LIFE elérhetőségét a lakóhelyeden, most a [LEGO.com/life](http://LEGO.com/life) honlapon!  
Először kérj engedélyt a szüleidtől!

Vérifie la disponibilité de LEGO LIFE dans ton pays sur [LEGO.com/life](http://LEGO.com/life)  
Demande d'abord l'autorisation d'un parent.

Verifica agora a disponibilidade de LEGO LIFE no teu país em [LEGO.com/life](http://LEGO.com/life)  
Pede primeiro permissão aos teus pais.

访问 [LEGO.com/life](http://LEGO.com/life) 网站, 查看乐高生活系列是否已在你所在国家上线。先请求家长的许可。

LEGO, the LEGO logo, the Minifigure, the Brick and Knob configurations and the LIFE logo are trademarks of the LEGO Group. ©2017 The LEGO Group.

 3x 4518029	 1x 6058177	 2x 6055424	 1x 4544143	 12x 614126	 2x 6147050	 1x 6181713	 2x 306226	 1x 4163306
 3x 4524929	 1x 302201	 1x 6172414	 2x 4539481	 2x 6167933	 7x 302326	 1x 6181720	 1x 6058966	 1x 6181640
 8x 614124	 1x 4298618	 3x 6116797	 2x 4211383	 2x 6066102	 1x 6117973	 1x 6173917	 5x 371026	 2x 366626
 1x 6100222	 1x 6172411	 4x 362323	 2x 6028812	 2x 307026	 4x 6104403	 1x 4531412	 2x 6037746	 1x 6134897
 4x 4666579	 6x 302323	 2x 4543998	 2x 6028812	 2x 307026	 2x 306826	 2x 302126	 1x 302026	 1x 6134897
 2x 4624086	 2x 306923	 1x 6182876	 1x 4226995	 2x 6141554	 1x 6053077	 1x 400626	 2x 6112243	 1x 4656764
 6x 4113917	 6x 6055065	 1x 6182879	 1x 4654577	 2x 6141556	 6x 242026	 1x 400626	 2x 6112243	
 2x 6133720	 2x 6133720	 1x 6182879	 1x 6146061	 2x 4548180	 2x 362326	 4x 6102596		
 1x 4288513	 2x 242023	 1x 302023	 1x 4211105	 2x 6069000	 2x 4558170			
 2x 4624088	 3x 6116786	 2x 6112242	 2x 6150297	 3x 306926	 2x 6154860			
 1x 4118790	 2x 302223			 2x 6047276				



**Customer Service**

**Kundenservice**

**Service Consommateurs**

**Servicio Al Consumidor**

**LEGO.com/service or dial**



**: 00800 5346 5555**

**: 1-800-422-5346**

# WIN

GO TO [WWW.LEGO.COM/PRODUCTFEEDBACK](http://WWW.LEGO.COM/PRODUCTFEEDBACK) AND  
GIVE US YOUR SHORT **FEEDBACK** ABOUT THIS  
LEGO® SET FOR A CHANCE TO WIN  
A COOL LEGO PRIZE.

Terms & Conditions apply



## [LEGO.com/productfeedback](http://LEGO.com/productfeedback)

### GEWINNE

Erzähle uns auf  
[www.LEGO.com/productfeedback](http://www.LEGO.com/productfeedback)

etwas über die Erfahrungen, die du mit  
diesem LEGO® Set gemacht hast, und  
sichere dir die Chance auf einen coolen  
LEGO Preis!

Es gelten die Teilnahmebedingungen

### GAGNE

Rends-toi sur  
[www.LEGO.com/productfeedback](http://www.LEGO.com/productfeedback)

et donne-nous quelques commentaires sur  
ce produit LEGO® pour avoir une chance  
de gagner un prix LEGO !

Voir Conditions Générales

### GANAN

Visita  
[www.LEGO.com/productfeedback](http://www.LEGO.com/productfeedback)

y envíanos tu opinión acerca de este set  
LEGO®. ¡Participarás en el sorteo de un  
premio LEGO!

Términos y Condiciones aplicables

### 获取奖品

登录  
[www.LEGO.com/productfeedback](http://www.LEGO.com/productfeedback)

给出关于此乐高®套装的简短反馈，  
就有机会获得炫酷乐高奖品

《条款及条件》适用

LEGO and the LEGO logo are trademarks of the LEGO Group. ©2017 The LEGO Group.

6204593