

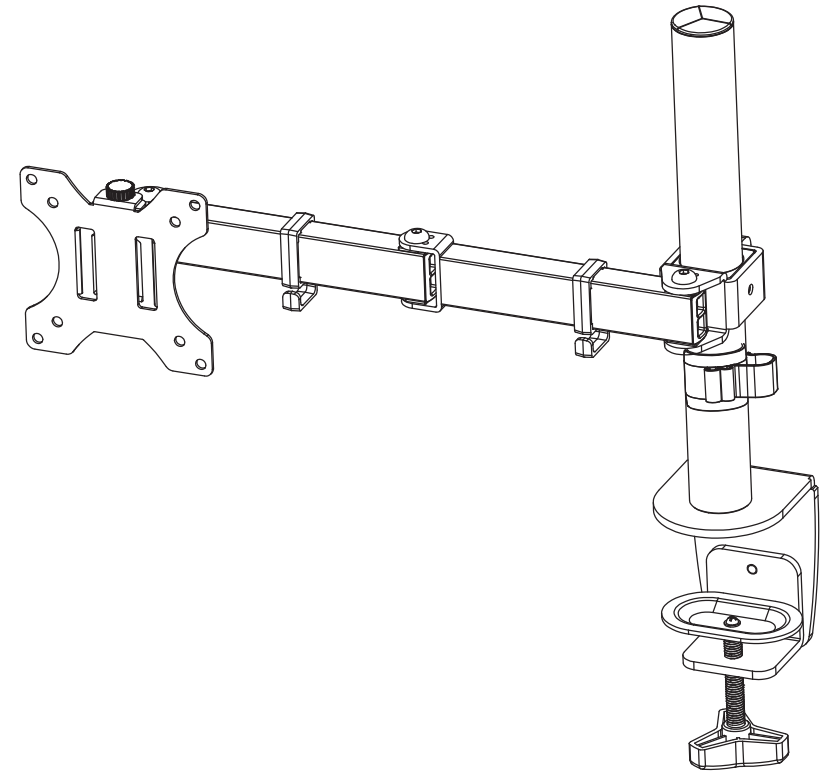
## Solid Steel Economy Articulating Monitor Mount

Read the entire instruction manual before you start installation and assembly.  
If you do not understand the instructions or encounter any questions or problems, please contact a qualified local installer or your local distributor for assistance.

### Caution:

- This can result in serious injury, death or property damage if not assembled or installed properly.
- Do not assemble or install products or accessories if they are damaged or missing. If you need to replace parts or other parts, please contact your local dealer or service provider for help.
- The vendor is not responsible for desktop damage due to load or accident.
- The manufacturer declares that it shall not be liable for any damage or damage caused by any modification or improper installation of the product, or installation beyond the specified weight bearing range of the product, or improper use of the product, or wear or damage caused by use of the product.
- Carefully open the carton, remove contents and lay out on cardboard or other protective surface to avoid damage.
- Check package contents against the Supplied Parts List in the first page to assure that all components were received undamaged. Do not use damaged or defective parts.
- Carefully read all instructions before attempting installation.
- Do not use this product for any purpose or in any configuration not explicitly specified in this instruction.

We hereby disclaim any and all liability for injury or damage arising from incorrect assembly, incorrect mounting, or incorrect use of this product.



# AM3-21

VESA  
75\*75mm/100\*100mm

13" — 32"

kg  
8KG  
(17.6lbs)

