

VACUUM PUMP

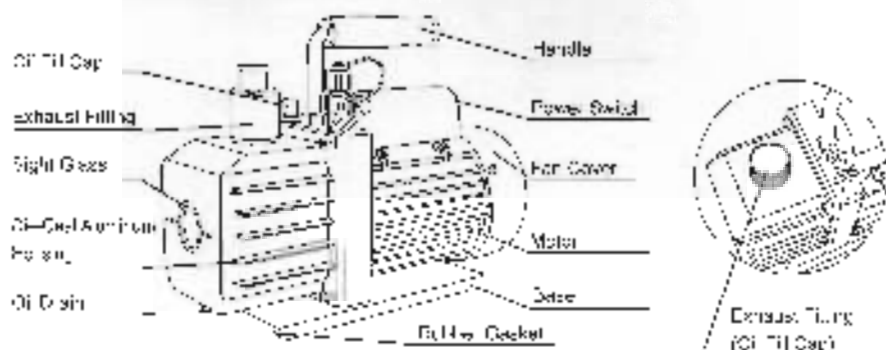
Operating Manual



Please read the operating manual carefully before using and reserve it properly

VACUUM PUMP

I. Pump components



II. Operating Manual

1. Before using your vacuum pump

In all cases, motors are designed for operating voltages plus or minus 10% of the normal rating. Single voltage motors are supplied fully connected and ready to operate.

(1) Check to be sure the voltage and frequency at the outlet match the specifications on the pump motor decal. Check the ON-OFF switch to be sure it is in the OFF position before you plug the pump into an outlet. Remove and discard the exhaust slug from the end of the pump's handle.

(2) The pump is shipped without oil in the reservoir. Before starting the pump, fill it with oil. Remove the OIL FILL cap and add oil until oil just shows at the bottom of the sight glass. The approximate oil capacity of the pump is 220-380 ml (reference the technical data).

(3) Replace the OIL FILL cap and remove the cap from one of the inlet ports. Turn the motor switch to ON. When the pump runs smoothly, replace the cap on the inlet port. This may take from two to 30 seconds depending on the ambient temperature. After the pump runs for approximately one minute, check the sight glass for proper oil level. The oil level should be even with the sight glass OIL LEVEL line. Add oil if necessary.

Note: When the pump is running, the oil level should be even with the line on the sight glass. Underfilling will result in poor vacuum performance. Over filling can result in oil blowing from the exhaust.

VACUUM PUMP

2. To shut down your pump after use

To help prolong pump life and promote easy starting, follow these procedures for shutdown:

- (1) Close the manifold valve between the pump and the system.
- (2) Remove the hose from the pump inlet.
- (3) Cap the inlet port to prevent any contamination or loose particles from entering the port.

III. To maintain your high vacuum pump

1. Vacuum pump oil

The condition and type of oil used in any high vacuum pump are extremely important in determining the ultimate attainable vacuum. We recommend the use of High Vacuum Pump Oil. This oil has been specifically blended to maintain maximum viscosity at normal running temperatures and to improve cold weather starts.

2. Oil Change Procedure

(1) Be sure the pump is warmed up.

(2) Remove the OIL DRAIN cap. Drain contaminated oil into a suitable container and dispose of properly. Oil can be forced from the pump by opening the inlet and partially blocking the exhaust with a cloth while the pump is running. Do not operate the pump for more than 20 seconds using this method.

(3) When the flow of oil has stopped, tilt the pump forward to drain residual oil.

(4) Replace the OIL DRAIN cap. Remove the OIL FILL cap and fill the reservoir with new vacuum pump oil until the oil just shows at the bottom of the sight glass. The approximate oil capacity of the pump is 220-380cc (reference the technical card).

(5) Be sure the inlet ports are capped, then turn on the pump. Allow it to run for one minute, then check the oil level. If the oil is below the sight glass OIL LEVEL line, add oil slowly with the pump running until the oil reaches the OIL LEVEL line. Replace the OIL FILL cap, making sure the inlet is capped and the drain cap is tight.

(6) If the oil is badly contaminated with sludge that forms when water is allowed to collect in the oil, you may need to remove the oil in service cover and wipe it out.

VACUUM PUMP

b) Another method of dealing with heavily contaminated oil is to force the oil from the pump reservoir. To do this, allow the pump to run until it is worked up. While the pump is still running, remove the oil drain cap. Slightly restrict the exhaust. This will back-pressure the oil reservoir and force the oil from it, carrying more contaminants. When the oil ceases to flow, turn off the pump.

Repeat this procedure as required until the contamination is removed.

Replace the OIL DRAIN cap and refill the reservoir to the proper level with fresh pump oil.

IV. Troubleshooting Guide

Your pump has been designed for dependable use and long life. If something should go wrong, however, the following guide will help you get your pump back into service as quickly as possible.

If disassembly of the pump is required, please check your warranty. The warranty may be voided by misuse or customer tampering which results in the pump being inoperable.

1. Failure To Start

Check the line voltage. The pumps are designed to start at $\pm 10\%$ line voltage (loaded) at 52°F. At extremes, however, switching between the start and run windings may occur.

2. Oil Leakage

(1) Be sure the oil is not a residual accumulation from spillage, etc.

(2) If leakage exists, the module cover gasket or the shaft seal may need replacing. If leakage exists in the area of the oil drain plug, you may need to reseal the plug using a commercial pipe thread sealer.

3. Failure To Pull A Good Vacuum

(1) Be sure the vacuum gauge and all connections are in good condition and leak-free. You can confirm leakage by monitoring the vacuum with a rheometer gauge while applying vacuum pump oil at connections or suspected leak points. The vacuum will improve briefly while the oil is sealing the leak.

(2) Be sure the pump oil is clean. A badly contaminated pump may require several oil flushes.

(3) Be sure the oil is at the proper level. For maximum pump operation, the oil

VACUUM PUMP

must be even with the OIL LEVEL line on the sight glass when the pump is running. Do not overfill---operating temperatures will cause the oil to expand, so it will appear at a higher level than when the pump is not running. To check the oil level, start the pump with the inlet capped. Check the oil level in the sight glass. Add oil if necessary.

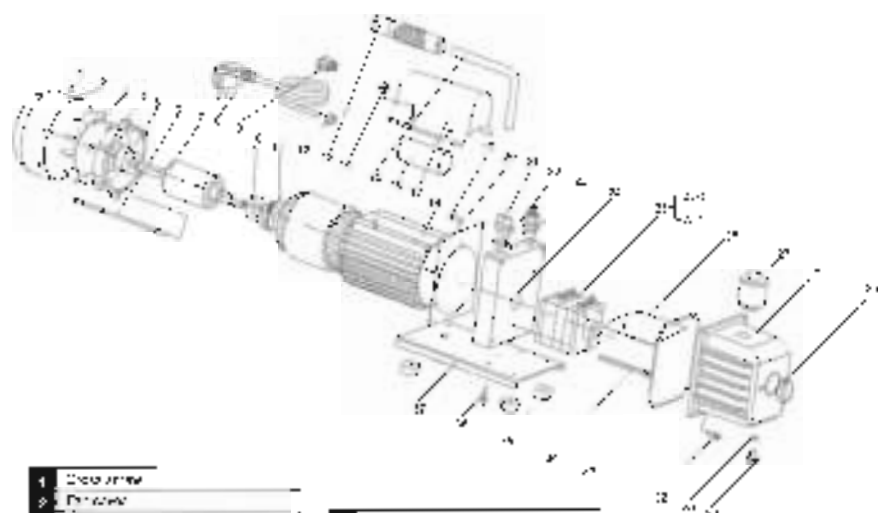
V. Technical Parameter

		Single Stage Vacuum Pump											
Model		VE110		VE125		VE135		VE145		VE180		VE190	
Voltage		220 (240)	110 (120)	220 (240)	110 (120)	220 (240)	110 (120)	220 (240)	110 (120)	220 (240)	110 (120)	220 (240)	110 (120)
Free Air Displacement	GPM	1.5	1.5	2.5	3.1	4.5	4.8	5.1	5.7	5.3	7.0	6.0	5.0
	L/min	42	50	70	84	100	114	138	150	140	180	160	130
Ultimate Vacuum	Pa	5	5	5	5	5	5	5	5	5	5	5	5
	mbar	0.05	0.05	0.05	0.05	0.05	0.05	0.05	0.05	0.05	0.05	0.05	0.05
Motor		1/4	1/4	1/2	1/2	1/2	1/2	1/2	1/2	1/2	1/2	1/2	1/2
Intake Fitting		1/4"Flare	1/4"Flare	1/2"ODFlare	1/2"ODFlare	1/2"ODFlare	1/2"ODFlare	1/2"ODFlare	1/2"ODFlare	1/2"ODFlare	1/2"ODFlare	1/2"ODFlare	1/2"ODFlare
Oil Capacity		250	250	280	280	280	280	280	280	280	280	280	280
Dimension(mm)		100*70*240	100*70*220	120*100*220	120*100*220	120*100*220	120*100*220	120*100*220	120*100*220	120*100*220	120*100*220	120*100*220	120*100*220
Net Weight(kg)		4.5	5.0	5.5	5.5	5.5	5.5	5.5	5.5	5.5	5.5	5.5	5.5

		Dual Stage Vacuum Pump													
Model		VE215		VE225		VE225		VE245		VE260		VE260		VE310T	
Voltage		220 (240)	110 (120)	220 (240)	110 (120)	220 (240)	110 (120)	220 (240)	110 (120)	220 (240)	110 (120)	220 (240)	110 (120)	220 (240)	110 (120)
Free Air Displacement	GPM	1.5	1.5	2.5	3.1	3.1	4.0	4.0	4.5	5.0	6.0	7.0	5.0	6.0	10
	L/min	42	50	70	84	84	110	110	120	130	150	180	130	160	260
Ultimate Vacuum	Pa	3x10 ⁻¹		2x10 ⁻¹		2x10 ⁻¹		2x10 ⁻¹		2x10 ⁻¹		2x10 ⁻¹		2x10 ⁻¹	
	mbar	3.000		2.000		2.000		2.000		2.000		2.000		2.000	
	Micro	30		20		20		20		20		20		20	
Motor		1/2	1/2	1/2	1/2	1/2	1/2	1/2	1/2	1/2	1/2	1/2	1/2	1/2	1
Intake Fitting		1/4"Flare	1/4"Flare	1/2"ODFlare	1/2"ODFlare	1/2"ODFlare	1/2"ODFlare	1/2"ODFlare	1/2"ODFlare	1/2"ODFlare	1/2"ODFlare	1/2"ODFlare	1/2"ODFlare	1/2"ODFlare	1/2"ODFlare
Oil Capacity		100	100	250	250	250	250	250	250	250	250	250	250	250	250
Dimension(mm)		120*80*220	120*80*220	120*100*220	120*100*220	120*100*220	120*100*220	120*100*220	120*100*220	120*100*220	120*100*220	120*100*220	120*100*220	120*100*220	120*100*220
Net Weight(kg)		4.5	5.0	5.0	5.0	5.0	5.0	5.0	5.0	5.0	5.0	5.0	5.0	5.0	5.0

VACUUM PUMP

VI.Exploded Drawing



1	Motor frame
2	Motor base
3	Motor
4	Motor cover
5	Rolling
7	Clamp screw
7	Roller shaft
8	Roller shaft pin
9	Roller shaft pin
10	Roller
11	Roller support pin
12	Roller support building
13	Roller support pin
14	Tag
15	Flange
16	Coupler
17	Roller support
18	Motor end
19	Roller
20	Roller support

21	Oil seal
22	Roller
23	Roller
24	Roller support
25	Roller
26	Roller support
27	Roller support
28	Roller support
29	Roller support
30	Roller support
31	Roller support
32	Roller support



Eurovacuum

Eurovacuum B.V.
The Netherlands
Tel: +31 (0)187396700
info@eurovacuum.nl
www.eurovacuum.eu