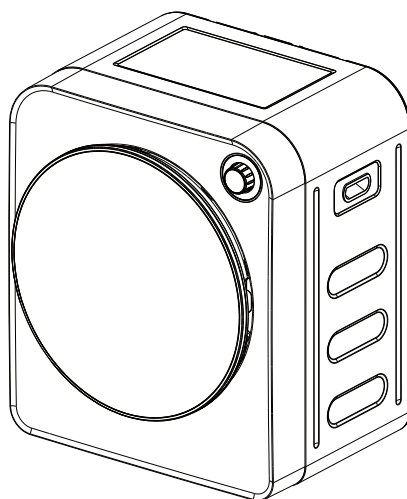



# LABIRENT

## CLOTHES DRYER INSTRUCTION

GDZ40-302M



CE

  Please read this manual carefully before using the appliance.



## Contents

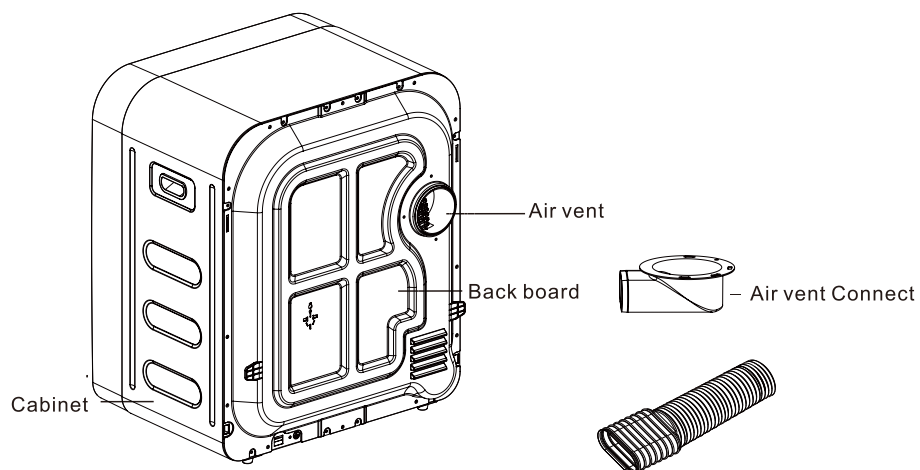
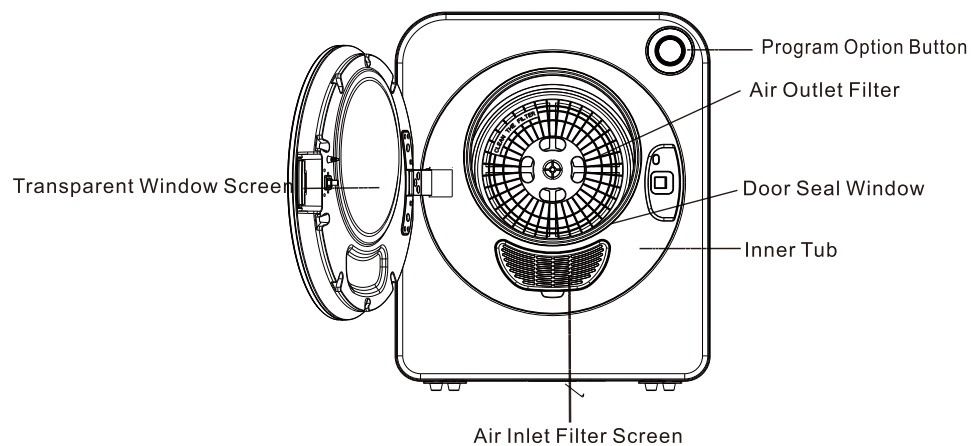
Part Names -----	1
Attentions Before Use -----	2
Use Requirements -----	2
Installation -----	3
Daily Maintenance -----	4
Simple Operation -----	5
Common Problem Deal -----	6
Fault alarm handling -----	7
Specification -----	End

## Specialty

The roller dryers of this series, with the function of temperature self-motion control, can effectively improve the efficiency of drying clothes, and at the same time, make clothes soft, make clothes as beautiful as new, gentle as before.

- 1- The operation is simple, one key is reached, worry saving
- 2- Easy to use, automatic induction, labor-saving
- 3- Installation at will, a variety of collocation, gratified
- 4- Program multiple selection, clear at a glance, gratified

## Part Names



## **Attention Before Use (Very important)**

### **(I) Electrical Appliance Safety**

1. Please use 220V AC power supply and current at 10A, the earthing end of the socket must be reliably grounded, and it's better to use a leakage protector.
2. Please keep inflammable and volatile substances (such as gasoline and alcohol) away from the running clothes dryer to avoid fire.
3. Do not install the dryer in wet places, such as bathroom or possibly wet places to avoid electric shock, leakage and other accidents.
4. It should be easy to plug and unplug when the dryer is in normal use, the plug must be pulled out while power cut, move, unused or clean up, please don't use wet hand to plug or unplug.
5. If the supply cord is damaged, it must be replaced by the manufacturer, its service agent or similarly qualified persons in order to avoid a hazards.
6. It is strictly prohibited to place the dryer on the packaging foam parts, otherwise it will cause fire due to heat not easy to release or other external factors.
7. Use soft wet towel wipe the dirty inner drum or outside of the dryer, do not rinse it directly with water or wipe it with volatile oil (such as alcohol, gasoline, etc.).
8. If use chemicals to clean clothes, the tumble dryer cannot be used.
9. Cotton dash can't under around the drum dryer.
10. The machine must be well ventilated to prevent the flowing backwards air to enter the space to ignite other substances, including open fires.
11. It is not allowed to exhaust to the flue that used for burning gas or with flammable materials.

### **(II) Use requirements**

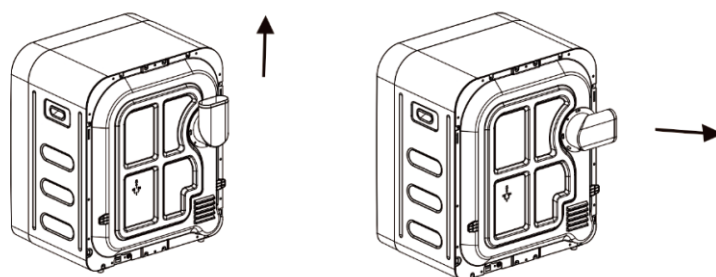
1. Only fully dehydrated clothes can be put into the dryer. (in order to avoid water leakage and increase drying time, do not put the clothes wrung out by hand into the dryer)
2. Please check and take out the cigarette lighter, matches and other inflammables and coin, hairclips, paper clip keys and other sharp metal objects from the pocket before drying.
3. Fasten the zipper, button and turn the clothes inside out to dry. This will reduce the sound of collision with the drum.
4. Clothes with the label "clothes that cannot be washed with water" or "dry-cleaned" shall not be used for clothes dryer.
5. Wool fabric, wool clothes and leather materials should not be used for clothes dryer. Wool and leather will be damaged and wool fabric will shrink and deform.
6. After each use, it is must to clean the thread crumbs on the air inlet filter screen and air outlet filter cotton.
7. It's better to dry the same or similar fabric at a time.
8. Do not dry clothes that have the following requirements: do not tumble dry, hang dry, drip dry and spread dry.
9. During the normal operation of the dryer, the surface of the dryer is not allowed to be covered with any textiles. During the operation of the dryer, the surface temperature of the dryer will be slightly higher than that of the human body, which is normal.

## Installation

Clothes dryer should be installed on the horizontal and solid ground, table or specialized bracket .It should be installed 10-15cm away from the back wall . please install air fans or install exhaust pipe in the outlet to discharge hot and humid when it is in a narrow space .The length of the exhaust pipe should not exceed 2 meters

### 1. Installation of exhaust pipe joint

Adjust the direction of outlet joint according to actual needs, fix the exhaust outlet with 2 pcs self-bol



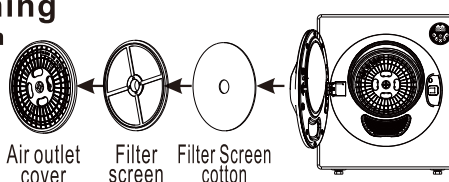
## Daily maintenance

In order to ensure the normal use of the dryer, please clean the outlet inlet filter screen timely, and clean the body regularly. Please pull out the power plug before cleaning!

### 1. Air outlet filter screen cleaning

Please clean the air outlet filter screen after each use

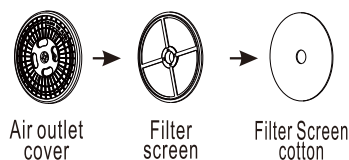
- A. Remove the filter: put your hand into the inner drum of the machine and insert it into the four holes near the center of the outlet air hood . Pull the filter outward.



- B. Line crumbs cleaning: remove the air outlet cover, filter cotton and filter screen respectively, and use a soft brush or vacuum cleaner to clean the line crumbs on the filter screen and the filter cotton. Be careful not to damage the filter cotton.



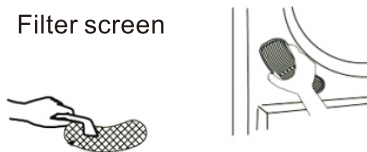
- C. Filter screen installation: Assemble the filter in the order of filter screen, filter screen cotton and air outlet hood after the cleaning, then put the concave center part of the filter screen into the convex center part of the drum.



### 2. The air inlet filter screen is cleaned once a month

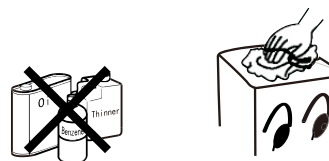
- 1) Push the outside middle end of the air inlet filter screen cover slightly upward, hold it and take it off outwards.
- 2) Use a soft brush or vacuum cleaner to clean the dust on it.
- 3) Replace filter into the machine after cleaning.

Filter screen



### 3. Body cleaning

Use a wet soft cloth wipe the inner drum or outside of the dryer ,use a bit of kitchen detergent to wipe the stubborn stains,and then clean with a clean cloth.

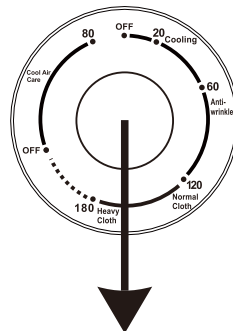


#### Note:

Do not use diluent, gasoline, alcohol to wipe the body.

## Model:GDZ40-302M Operation Instruction

### Control Panel Instruction



#### Dry program selection

There are five drying procedures: Cooling . Anti-wrinkle . Normal Cloth . Heavy Cloth and Cool Air Care

**Cool Air Care:** This function is operated by cool air, mainly to remove the odor, hair, dust and so on.

**Off:** when the knob is pointed to "off", the dryer will disconnect the power. Once the pointer points to the desired drying process, the dryer starts working

**Cooling:** This function happens in the last 20 minutes of the drying process. Use cold air instead of hot air to cool the clothes that have just been dried, making it easy to take clothes out.

**Off:** when the knob is pointed to "off", the dryer will disconnect the power. Once the pointer points to the desired drying process, the dryer starts working.

**Anti-Wrinkle:** used for clothing that is difficult to iron, such as fabric shirts and linen. Set the drying time according to the number of clothes, usually 30 to 60 minutes. When the time runs out and the clothes dryer stops running, the clothes will contain moisture to facilitate ironing

**Heavy Cloth:** This function is used for big size or exceed clothes (Clothes exceed half of the rated capacity of the dryer) setting the drying time to exceed 120 minutes

**Normal Cloth:** This function is used to dry and cool clothes, most of the time for clothing that is not prone to wrinkle (depending on the material of the clothing), and the drying time is generally set at 60-120 minutes.

## Common Problem Deal

If the dryer breaks down, please disconnect the power and check. Sometimes it is not a fault in the following cases . Please confirm again before repair. If it is a fault, please contact our authorizd service centre for repair. Do not repair it yourself.

Abnormal phenomenon	Abnormal reason	Processing method
The dryer doesn't start	<ul style="list-style-type: none"> <li>• Whether power is off or trip.</li> <li>• Whether the power connection is firm and reliable.</li> <li>• Whether the drying clothes are overloaded.</li> <li>• Whether the temperature controller is disconnected.</li> </ul>	<ul style="list-style-type: none"> <li>• Use after power supply</li> <li>• Check the power connection to make sure the fastening is in place.</li> <li>• The loading clothes must be dehydrated and the drying weight (the weight of wet clothes) should not exceed 5.0kg.</li> <li>• Please ask our authorized service centre to replace the temperature controller.</li> </ul>
The outside of the dryer is hot or can smell hot	<ul style="list-style-type: none"> <li>• The line crumbs filter screen is blocked by the fur crumbs.</li> <li>• Air outlet vent or drains are blocked.</li> </ul>	<ul style="list-style-type: none"> <li>• Line crumbs filter screen should be cleaned before and after each use.</li> <li>• Clear the clog.</li> </ul>
Clothes can't be dried	<ul style="list-style-type: none"> <li>• Too full of clothes in the dryer.</li> <li>• The filter is blocked, affecting the incoming and outgoing wind.</li> <li>• The clothes are too full to wrap around.</li> <li>• The machine is installed in a narrow unventilated position.</li> </ul>	<ul style="list-style-type: none"> <li>• Dry the clothes several times.</li> <li>• Clean air filters in and out regularly.</li> <li>• Shake the clothes out and dry them again.</li> <li>• Rearrange the machine.</li> </ul>
Clothes too much fold	<ul style="list-style-type: none"> <li>• The dryer is too full.</li> <li>• Did not take out the clothes in time after finishing.</li> <li>• Clothing is not properly classified.</li> <li>• The temperature is set too high.</li> </ul>	<ul style="list-style-type: none"> <li>• Don't overfill your clothes.</li> <li>• Take out the clothes immediately after finishing.</li> <li>• Dry the clothes after sorting.</li> <li>• Follow the maintenance instructions on the clothing label.</li> </ul>
Clothes shrink	<ul style="list-style-type: none"> <li>• Too dry.</li> </ul>	<ul style="list-style-type: none"> <li>• Follow the maintenance label instructions on the clothes.If the clothes shrink easily. Always check your clothes when you dry them. Take it out when it's still damp to avoid over drying and hang or lay it flat to dry completely.</li> </ul>
Clothes have Wool pellet	<ul style="list-style-type: none"> <li>• It is normal to produce wool pellets from synthetic and non-ironing fibers. This is due to normal friction.</li> </ul>	<ul style="list-style-type: none"> <li>• Soften the fiber with fabric softener. When ironing clothes, spray the finalize the glue on the collar and cuff. or turn the inside out to reduce friction.</li> </ul>
The dryer doesn't start after a long time running	<ul style="list-style-type: none"> <li>• After the dryer has been running for a long time, the temperature overheat protection is started in the tub.</li> </ul>	<ul style="list-style-type: none"> <li>• After the dryer automatically protects for about 30 minutes, it will automatically return to normal..</li> </ul>



## Fault alarm handling

Fault display	Reason	Phenomenon	Buzzer alarm	Fault removal
Open the door	When program is start, door is open	E1 is flashing	With buzzer alarm	Close the door and the fault is removed.
Over temperature alarm	The temperature in the inner tub is higher than 70℃	E2 is flashing	With buzzer alarm	Close the door and the fault is removed.
Temperature and humidity sensor malfunction	Circuit failure	E3 is flashing	With buzzer alarm	Replace the temperature sensor
Over temperature alarm	Communication failure or connector failure	E4 is flashing	With buzzer alarm	Detection connector

## Name and content of harmful substances in the product

Name of parts	Name of Hazardous Substance					
	Plumbum (Pb)	Mercury (Hg)	Cadmium (Cd)	Chromium VL (Cr (VL))	Poly Brominated Biphenyls (PBB)	Poly Brominated Diph Ethers (PBDE)
Switch categories	○	○	×	○	○	○
Computer board categories	×	○	×	○	○	○
Motor	×	○	×	○	○	○
Capacitor	○	○	○	○	○	○
Heating element	×	○	×	○	○	○
Shell,Roller	○	○	○	○	○	○
Power cord, wiring harness	○	○	○	○	○	○
Package print	○	○	○	○	○	○
Else	○	○	○	○	○	○

This form is prepared according to the provisions of SJ/T11364

○ :Denotes that the content of the hazardous substance in all homogeneous materials of the part is below the limit requirements specified in GB/T 26572

× :Denotes that the content of the hazardous substance in at least one mean material of the component exceeds the limit requirements stipulated by GB/T 26572

All parts marked with "X" in the table are in compliance with the EU RoHS Directive. Due to the limitation of global technological development level, the replacement of hazardous substances cannot be realized.

The "Eco Use Period" of the product is 15 years, which is specified by the company according to the design characteristics of the product. The "Eco Use Period" is valid only when the product is used under normal conditions as described in the product instruction manual.

Product Dimension	495x435x595mm	Products net weight	15.5kg
Rated input power	830W	Rated drying capacity	3.0kg