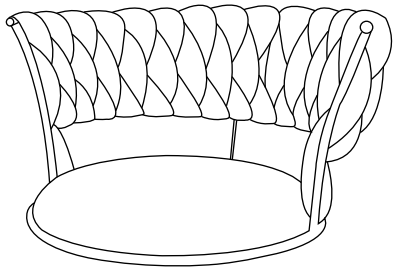
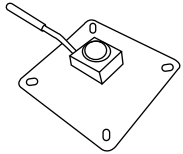


# ASSEMBLY INSTRUCTION

Ax1



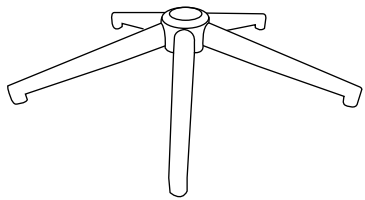
Bx1



Cx1



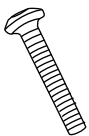
Dx1



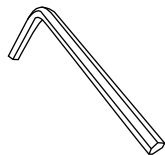
Ex5



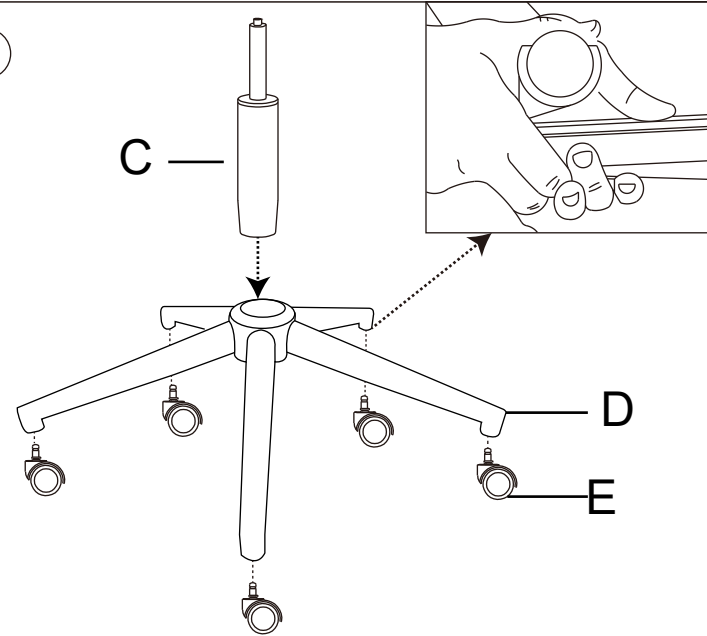
Fx4



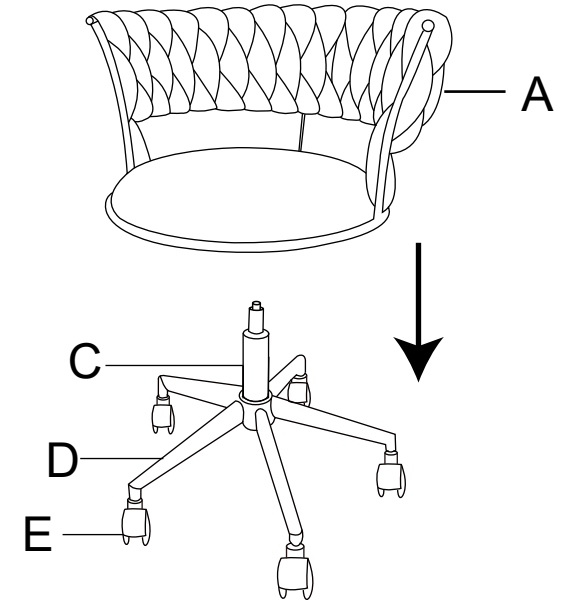
Gx1



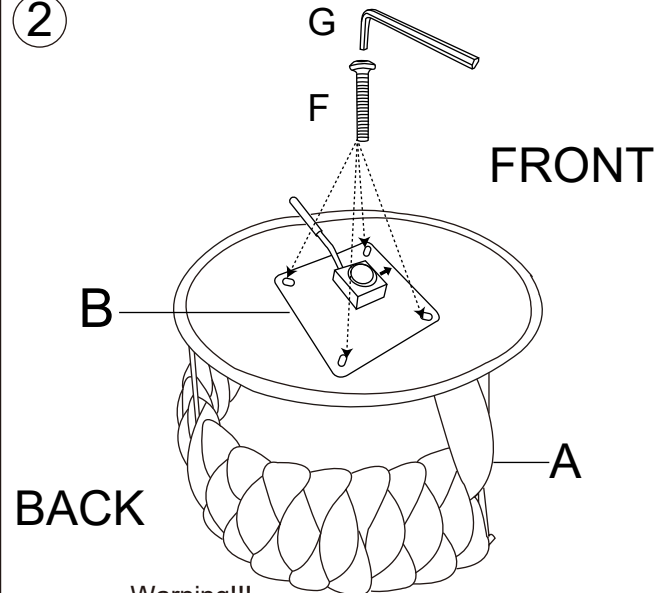
①



③



②



Warning!!!  
PUT ALL SCREWS IN THE HOLE,  
THEN TIGHTEN ONE BY ONE.

